

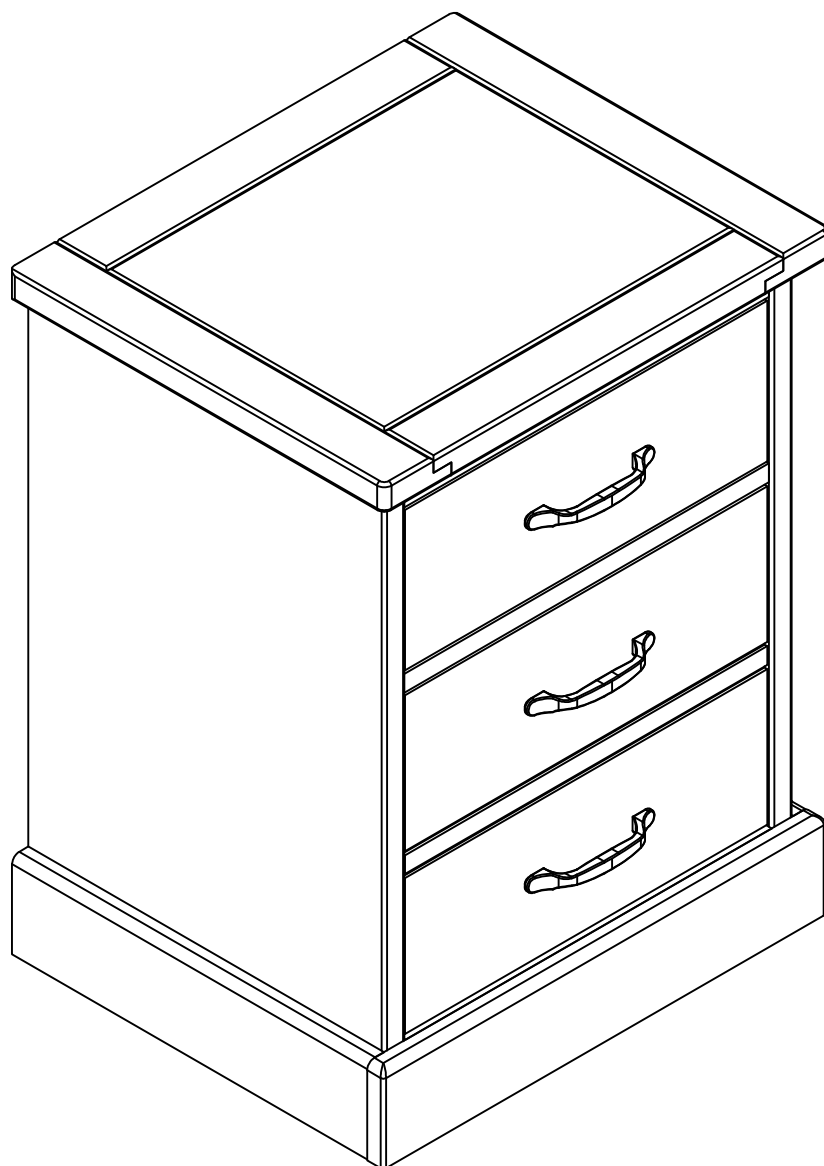
next

HOXTON BEDSIDE

104550

Assembly instructions

Actual product size
H66.5 x W50 x D42cm



Need Help?

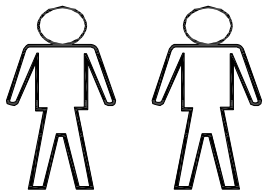
With: Assembly instructions
Missing or damaged parts

CALL: 0333 777 8999

IMPORTANT – RETAIN FOR FUTURE REFERENCE

BEFORE YOU START

Number of people required to assemble

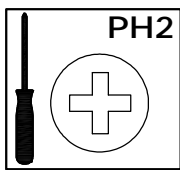


Time to assemble



15 min

Tools required



×2

not supplied

Do's

We suggest you spend a short time reading through this leaflet before you start.

We recommend that the packaging is used to protect the surfaces during assembly.

Carefully check that you have all the parts before beginning assembly.

Due to the size of the product we recommend that it is assembled in the room intended for use.

Ensure the product is fully assembled as illustrated and all fixings fully tightened before use.

Wood will mellow and change colour over time, we recommend that ornaments and items placed on the surface are moved regularly for the first few months to prevent uneven mellowing.

Don'ts

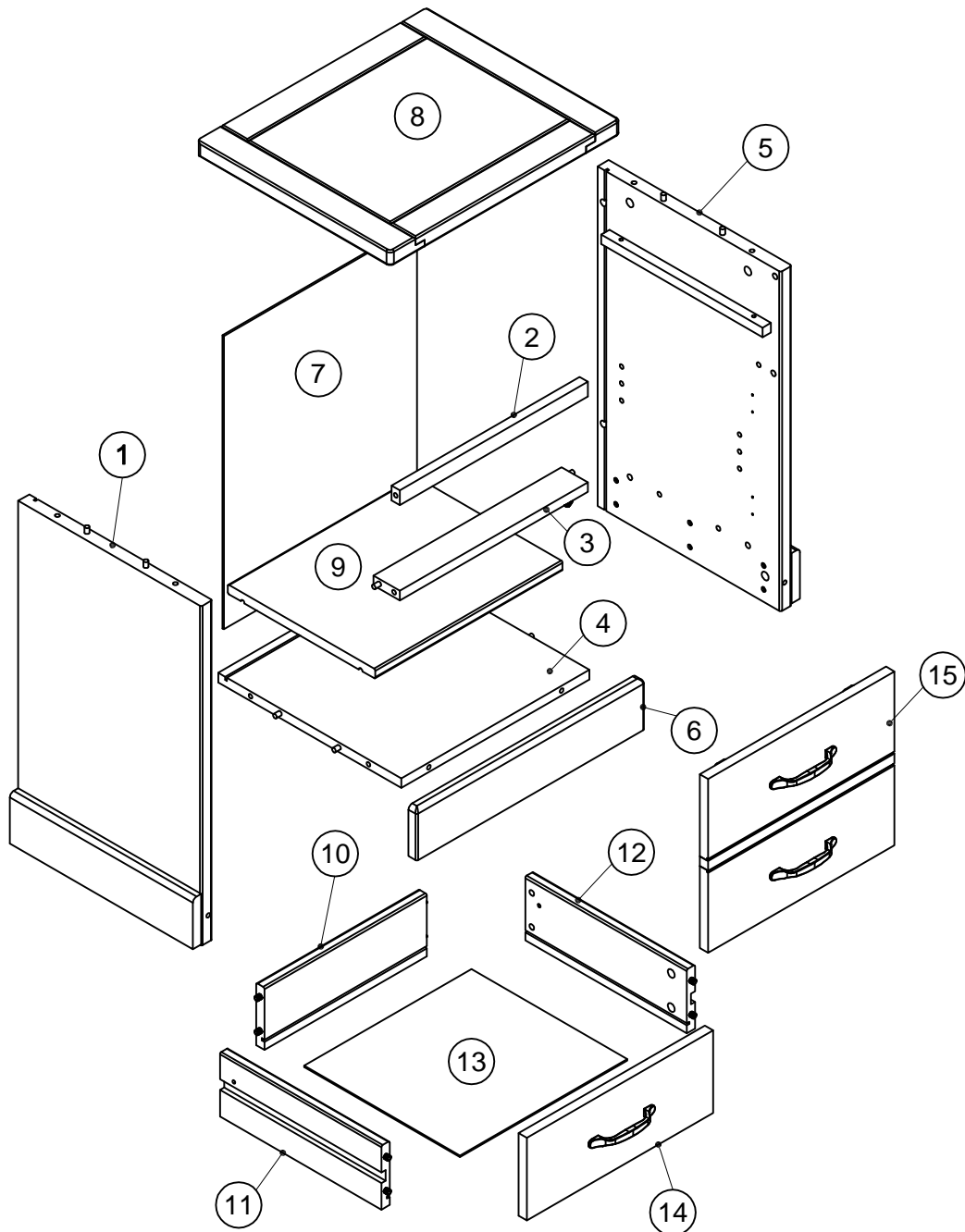
Do not drag or pull your furniture.

Do not use silicone based furniture polish, Silicone in furniture polishes can break down the lacquer finish,

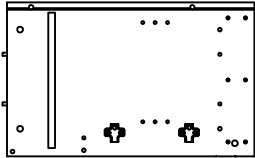
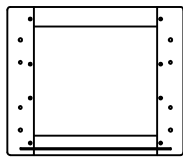
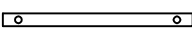

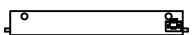
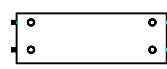
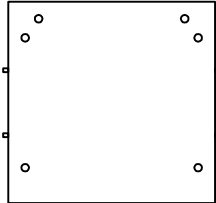

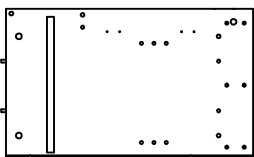
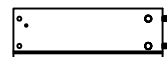
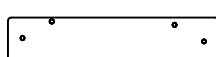

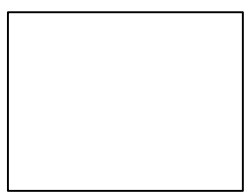
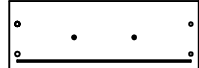
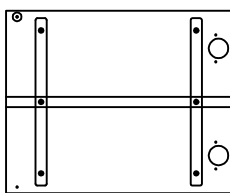
Never allow any kind of liquid to remain on your furniture. Absorption can cause wood to warp or finishes to de-laminate.

Do not place hot items (e.g. hot drinks) directly on to the wood surface. please make sure you use a placemat or coaster.

GETTING TO KNOW YOUR PRODUCT



Components supplied. Please use this guide if you require replacement parts.

Ref	Dimensions	Visual	Qty	Ctn	Ref	Dimensions	Visual	Qty	Ctn
1	63.8 x 39.7cm		1	1	8	50x42cm		1	1
2	40.8 x 2.8cm		1	1	9	40.6 x 32cm		1	1
3	40.8 x 5.7cm		1	1	10	35.2x 11.7cm		1	1
4	40.8 x 39.7cm		1	1	11	35x 12cm		1	1
5	63.8 x 39.7cm		1	1	12	35x 12cm		1	1
6	49.4 x 9.5cm		1	1	13	36.3x 32.8cm		1	1
7	55.1 x 41.9cm		1	1	14	40.4x 15.5cm		1	1
					15	40.4x 32.7cm		1	1

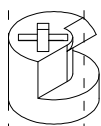
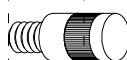
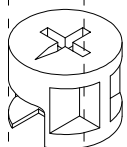
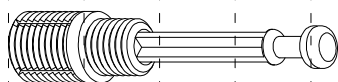
next HOXTON BEDSIDE

104550
Assembly instructions

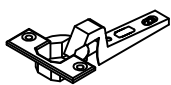
Fixtures and fittings supplied (actual size)

mm 10 20 30 40 50 60 70 80 90 100 110 120

Ref	Dimensions	Qty	Spare
101	10×43.5mm	16	2
201	15×12mm	24	2
301	6×30mm	4	1
401	3.5×15mm	4	1
501	6×16mm	4	1
601	12×10mm	4	1



Fixtures and fittings supplied (not to scale)

Ref	Dimensions	Visual	Qty	Spare
701	N/A		2	0

1

CAM-LOCK
Push in until shoulder sits flush with panel

Shoulder

NO GAP

Panel

Panel

101x4 10 x 43.5mm

2

CAM-LOCK
Push in until shoulder sits flush with panel

Shoulder

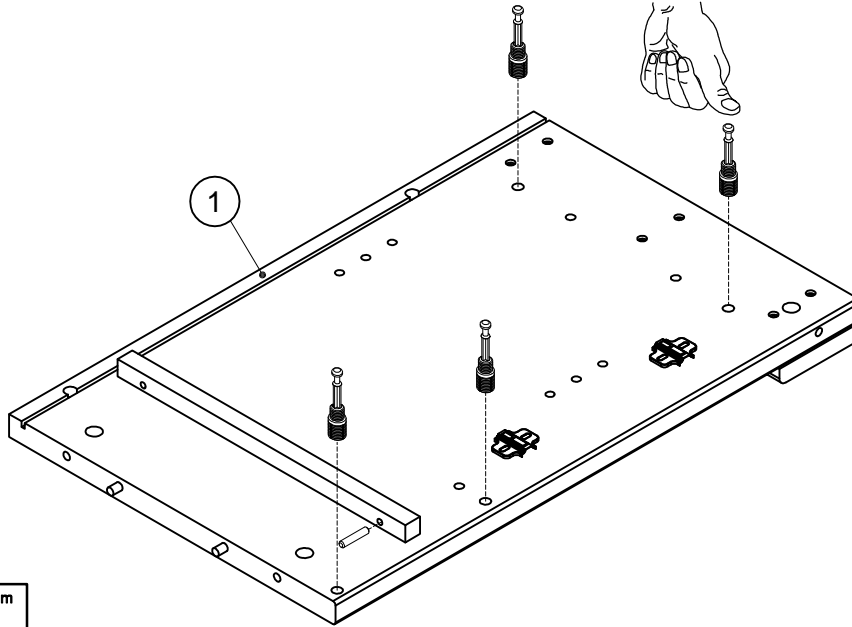
NO GAP


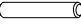


Panel

Panel

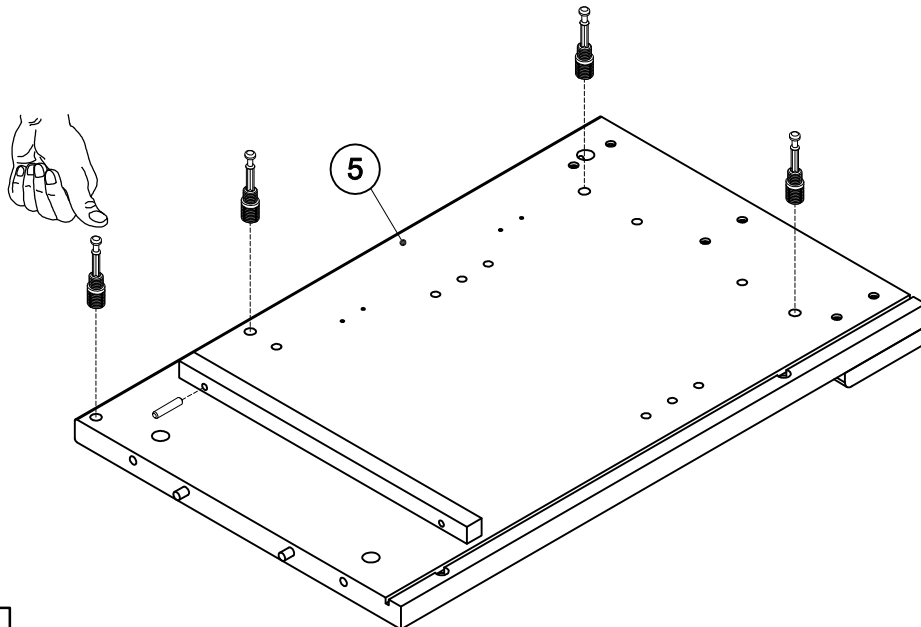
101x4 10 x 43.5mm





3



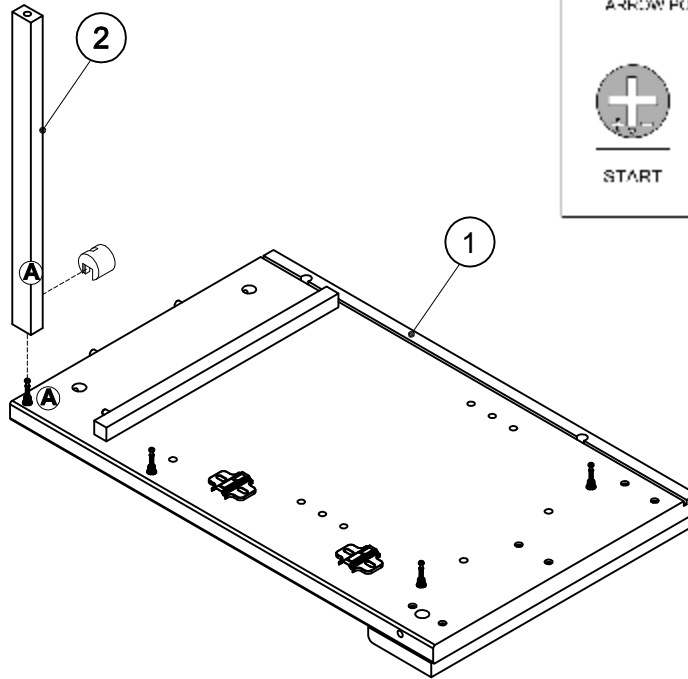
 not supplied	301 x 1 	6x30mm
 101x 4		10 x 43.5mm

4



 not supplied	301 x 1 	6x30mm
 101x 4		10 x 43.5mm

5

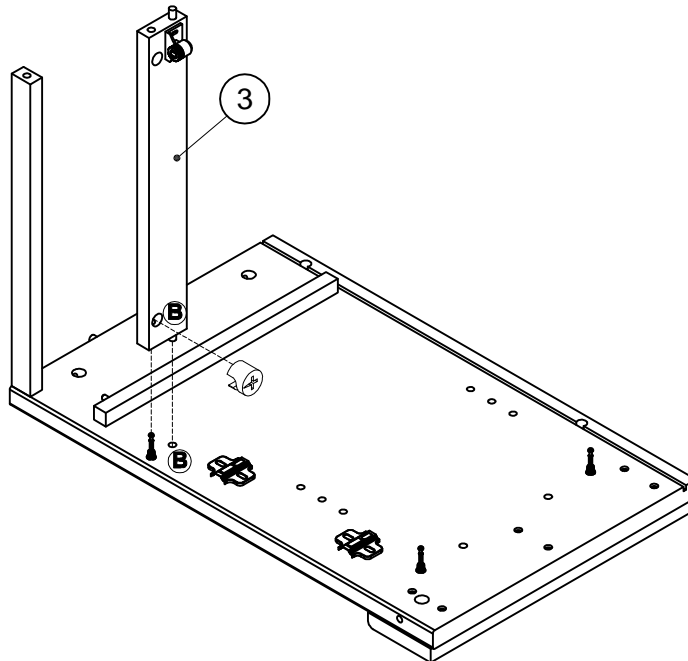


WHEN TIGHTENING THE CAM
TURN THE CAM IN A CLOCKWISE DIRECTION UNTIL THE
ARROW POINTS IN THE POSITIONS SHOWN IN THE
DIAGRAMS BELOW

START	MINIMUM LOCK	MAXIMUM LOCK

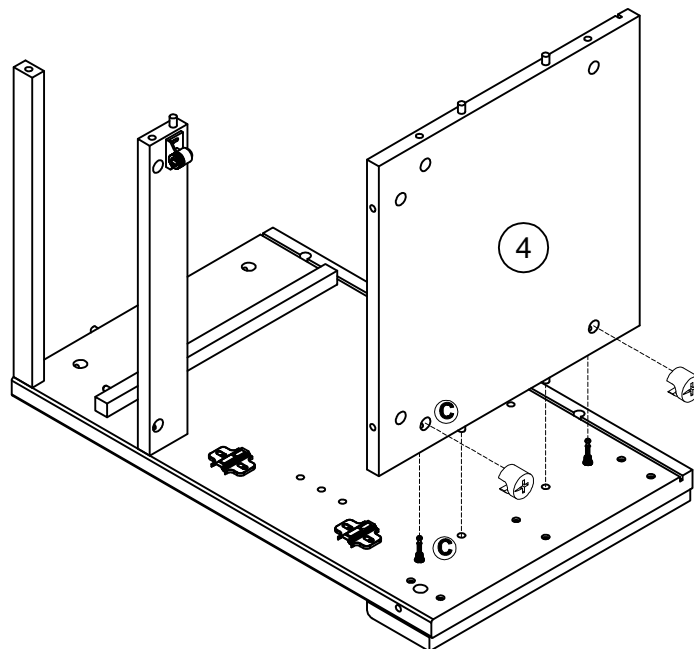
PH2 **201 x1** 15x12mm
not supplied

6



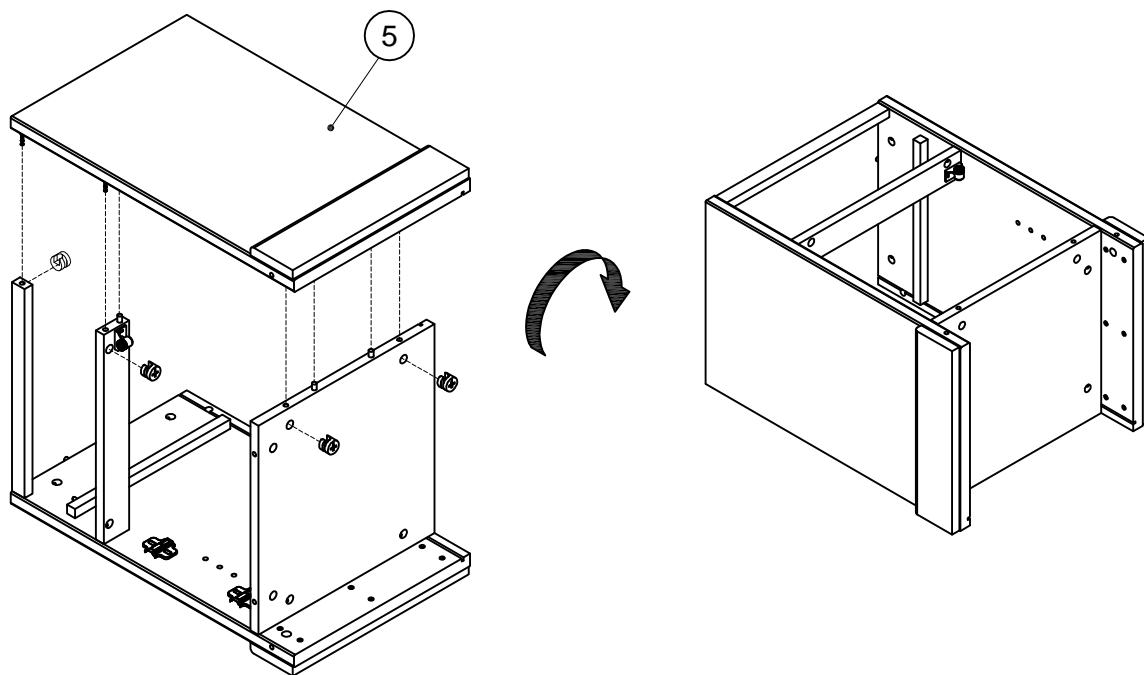
PH2 **201 x1** 15x12mm
not supplied

7



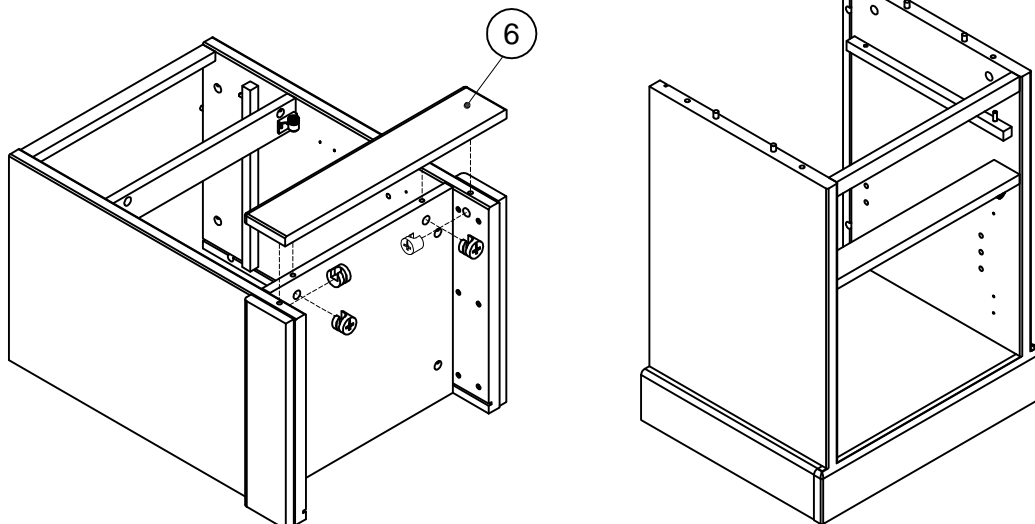
PH2
not supplied
201 x 2
15x12mm

8



PH2
not supplied
201 x 4
15x12mm

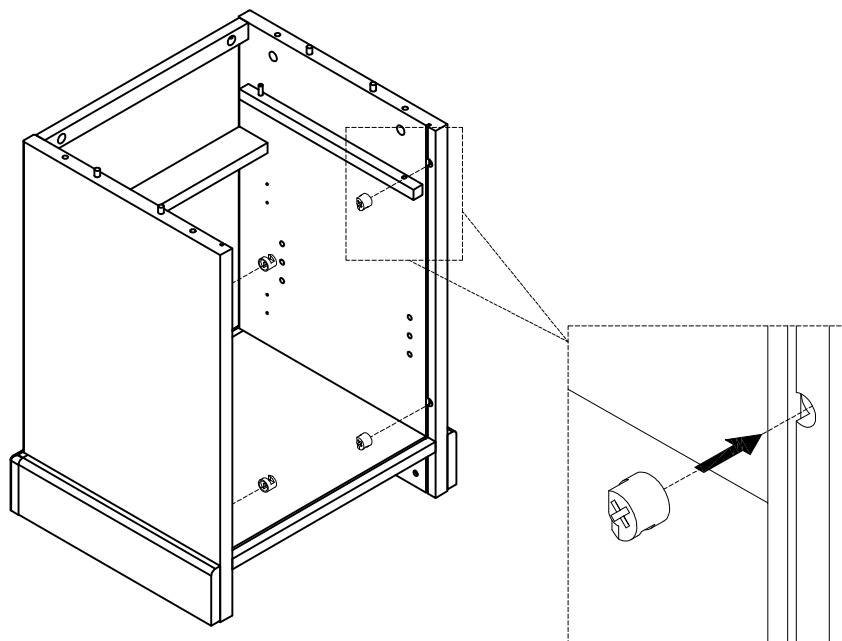
9



PH2
not supplied

201 × 4 15×12mm

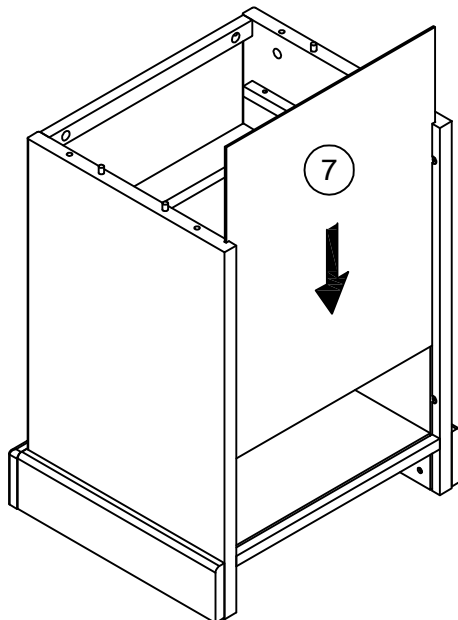
10



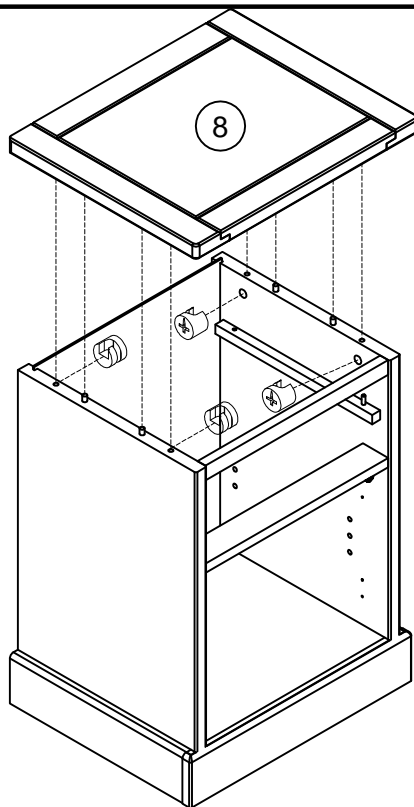
PH2
not supplied

601 × 4 12×10mm

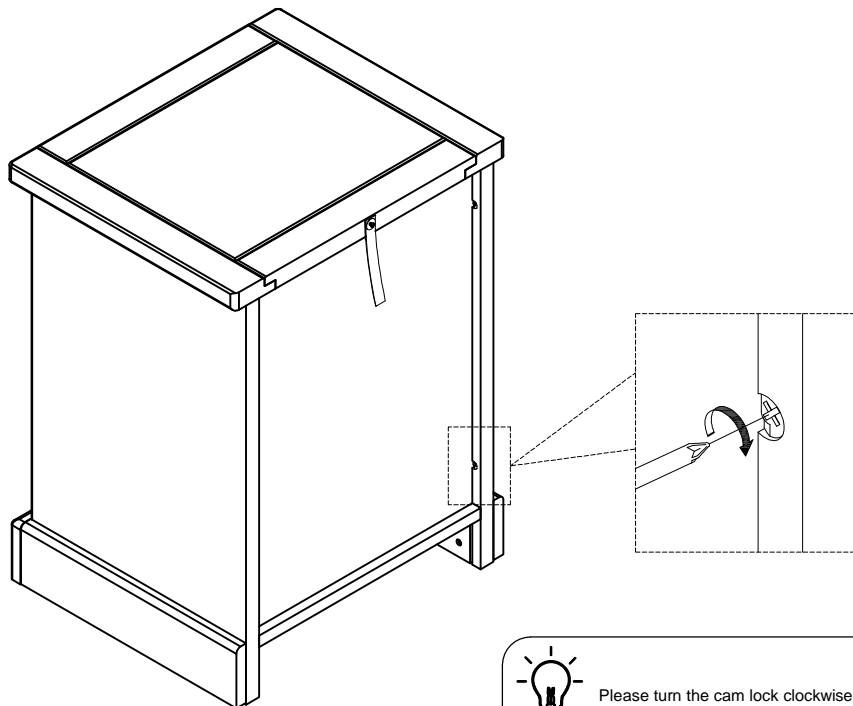
11




12

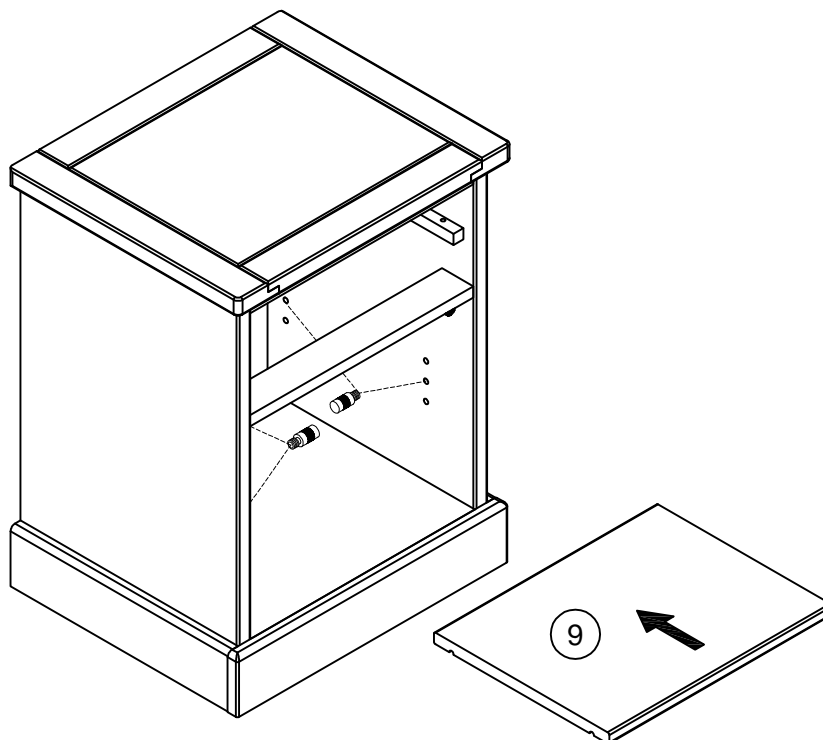



13



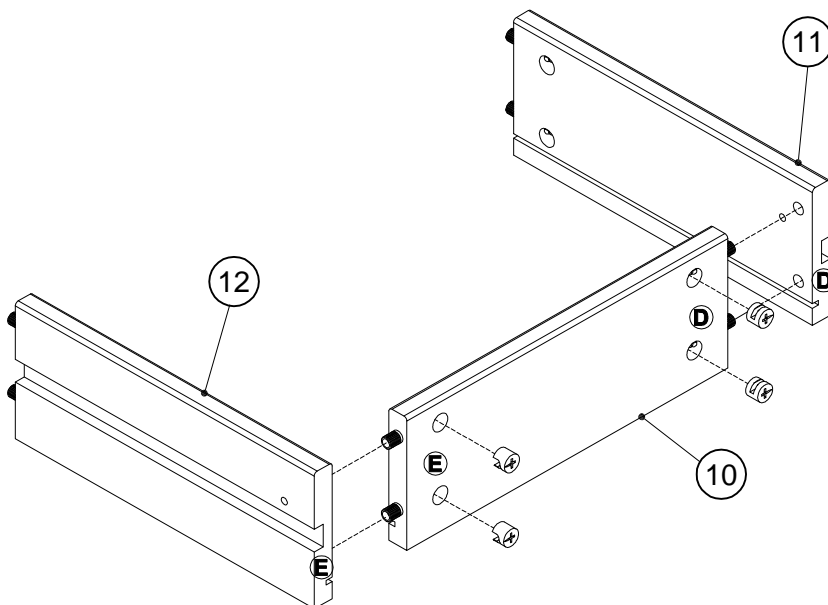
 Please turn the cam lock clockwise to fasten the backboard.

14



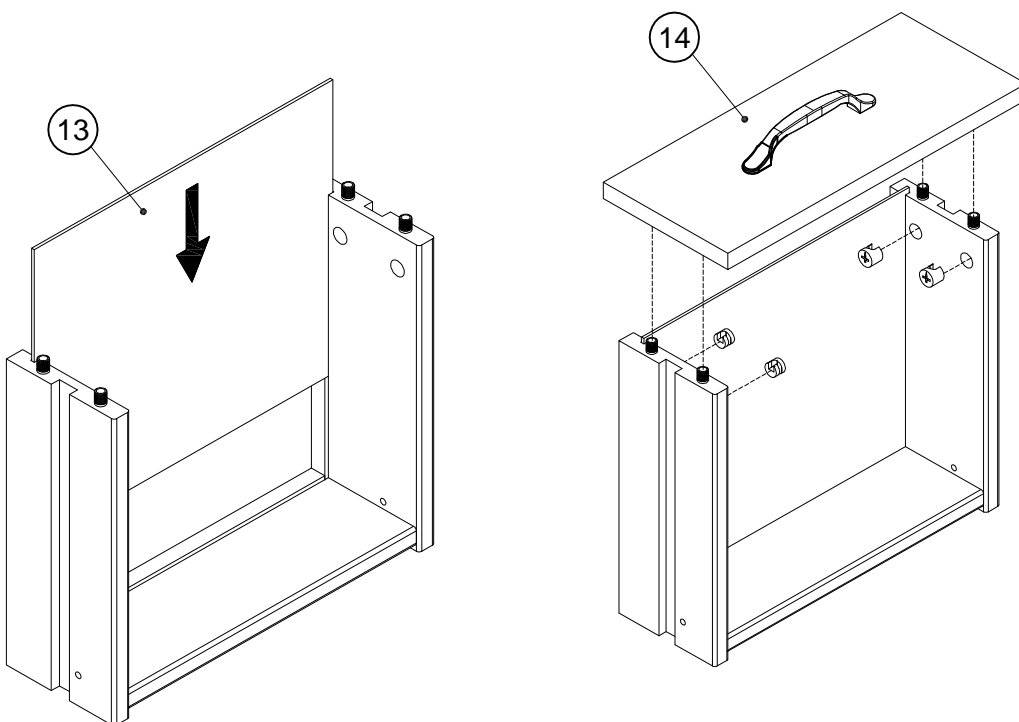
501 x4 6x16mm


15



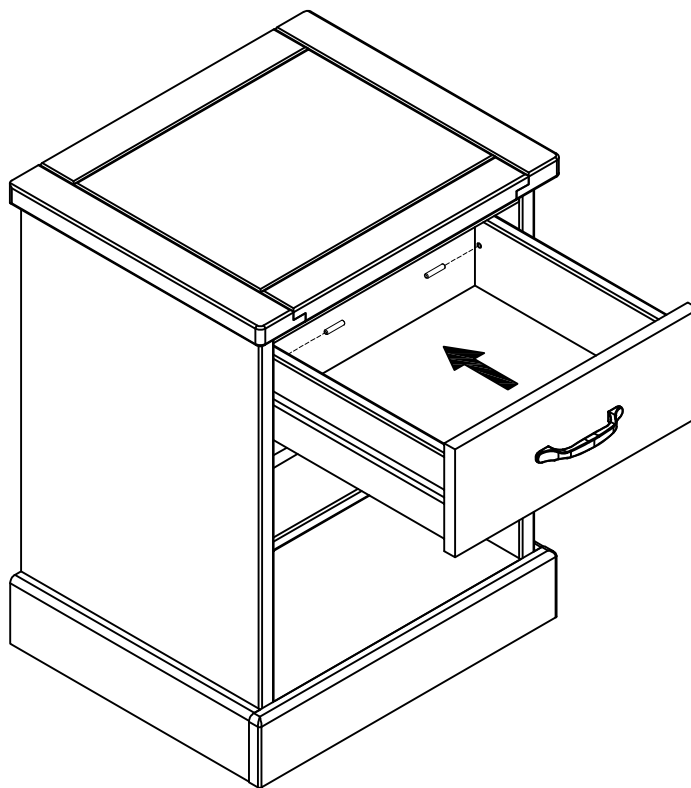
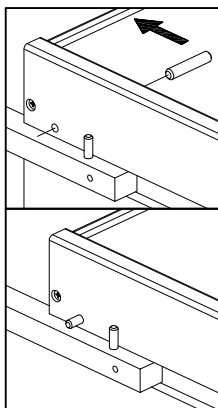
PH2 201 x4 15x12mm
not supplied

16



PH2 201 x4 15x12mm
not supplied

17

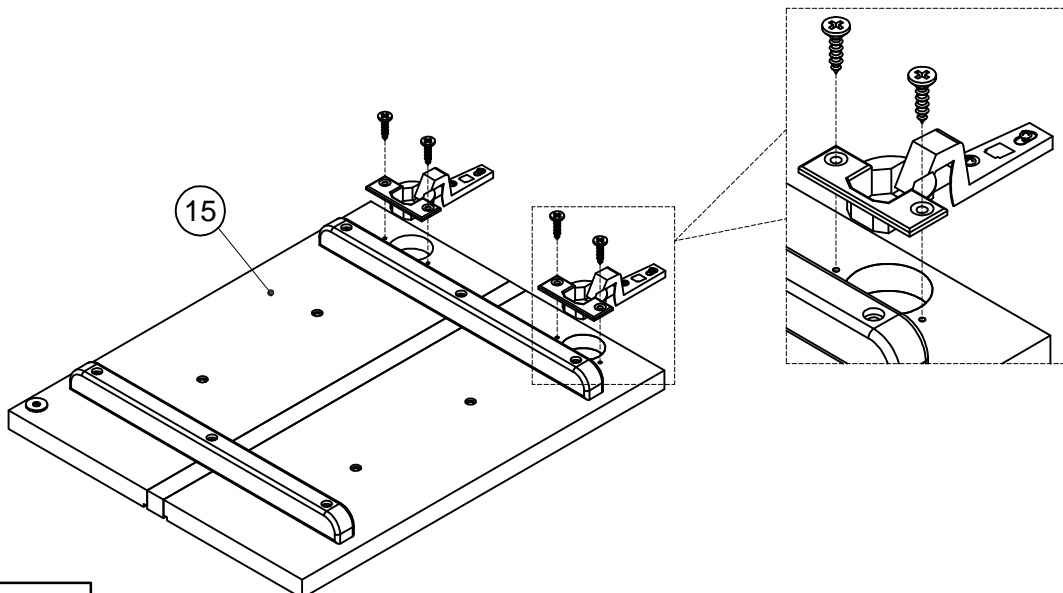


301 x2 6x30mm

not supplied



18



701 x2

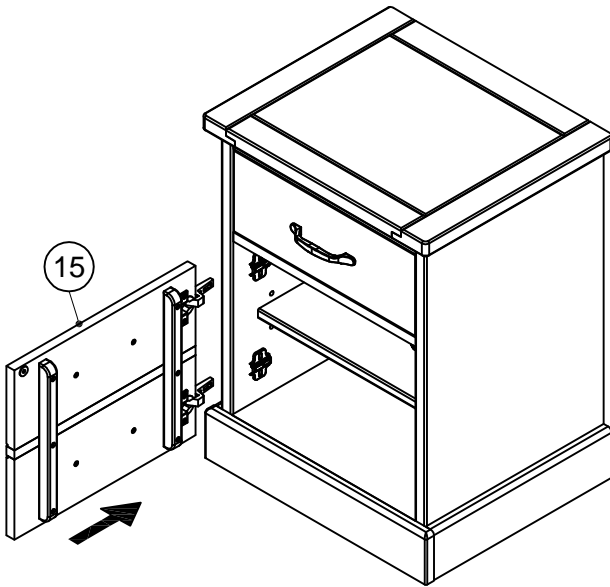



401 x4 3.5x15mm

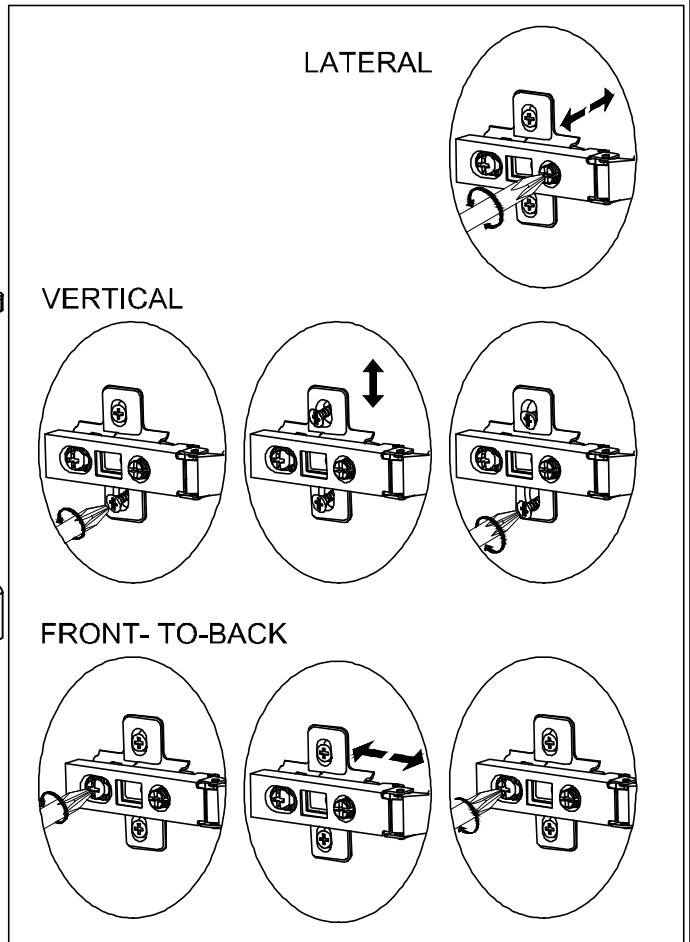
not supplied



19

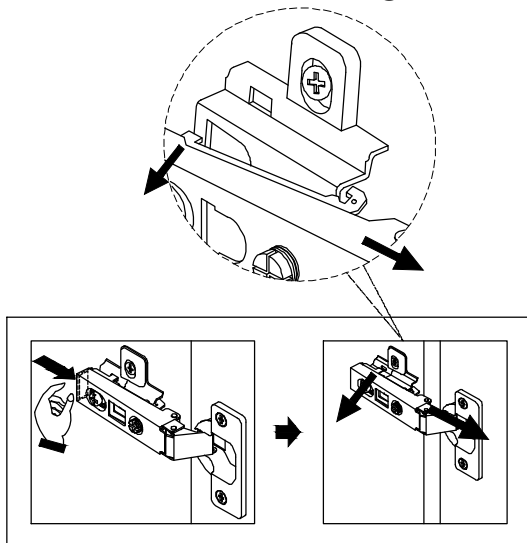
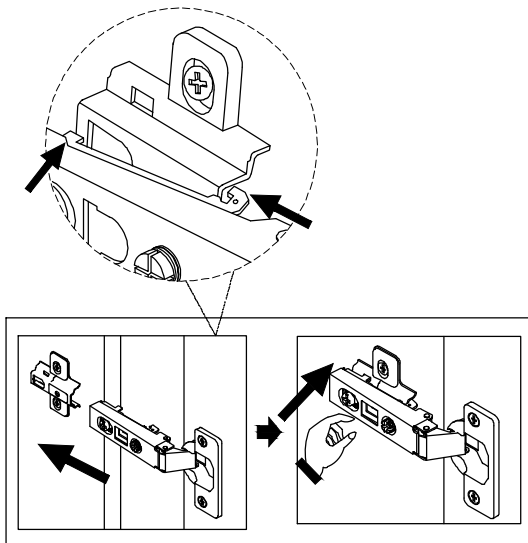


-  1. Please keep the door straight & flat as drawing to hook the hinge female part.
- 2. Please make sure both hinge male part hook the female part before snap lock the hinge



Install hinge from top to bottom

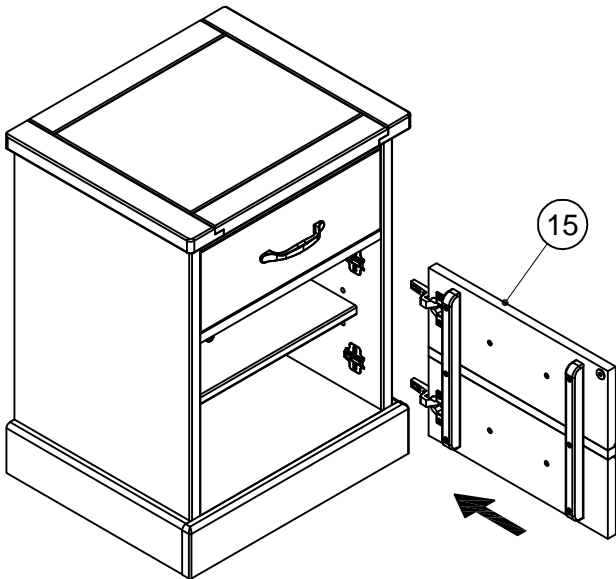
Remove hinge



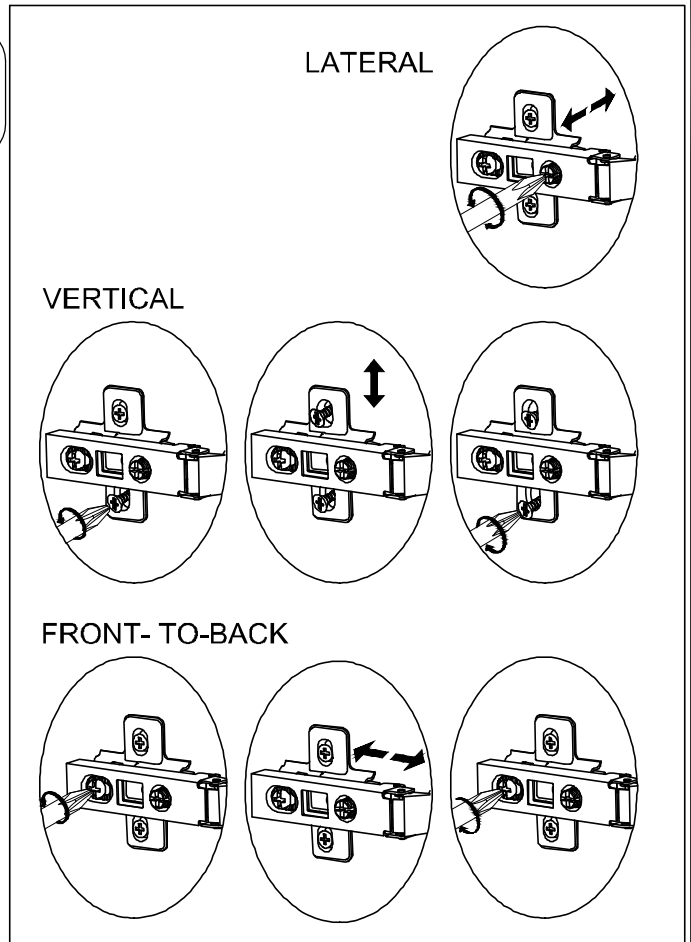
20



If you need change the door opening from left to right, please replace the hinge female part magnet catch & catch plate to opposite side.

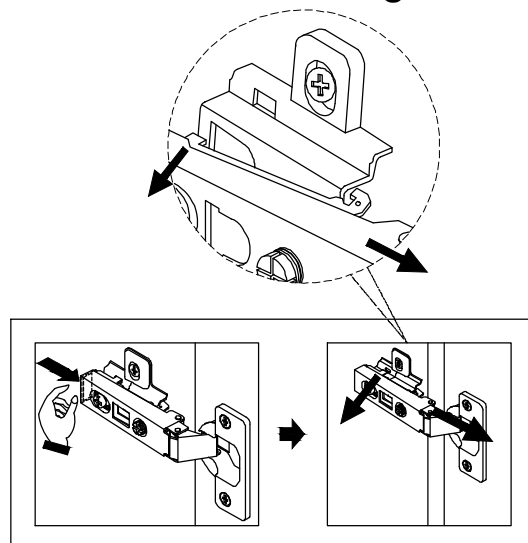
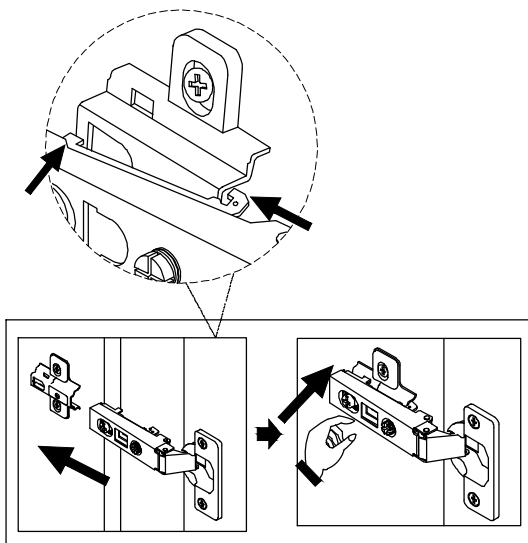


1. Please keep the door straight & flat as drawing to hook the hinge female part.
2. Please make sure both hinge male part hook the female part before snap lock the hinge



Install hinge from top to bottom

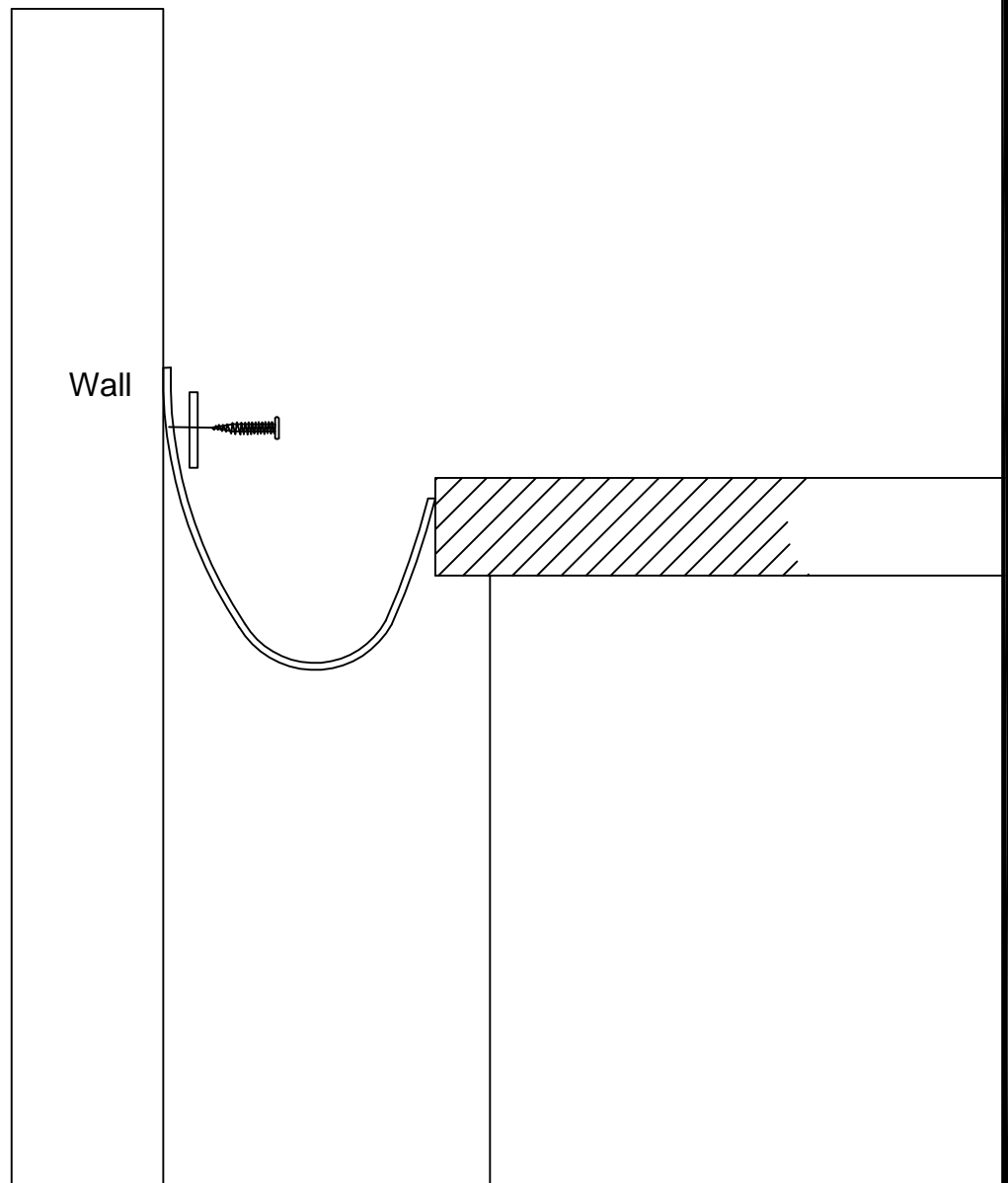
Remove hinge



21



1. Move the item into position and attach the end of the strap to the wall with the appropriate screw, washer and wall plug for your wall type .
2. **WARNING:** Always ensure the area to be drilled is free from hidden electrical wires, water and gas pipes.
3. **NOTE:** Wall fixings are not included , please source suitable fixings for your wall type, if in doubt, please consult a qualified tradesman.

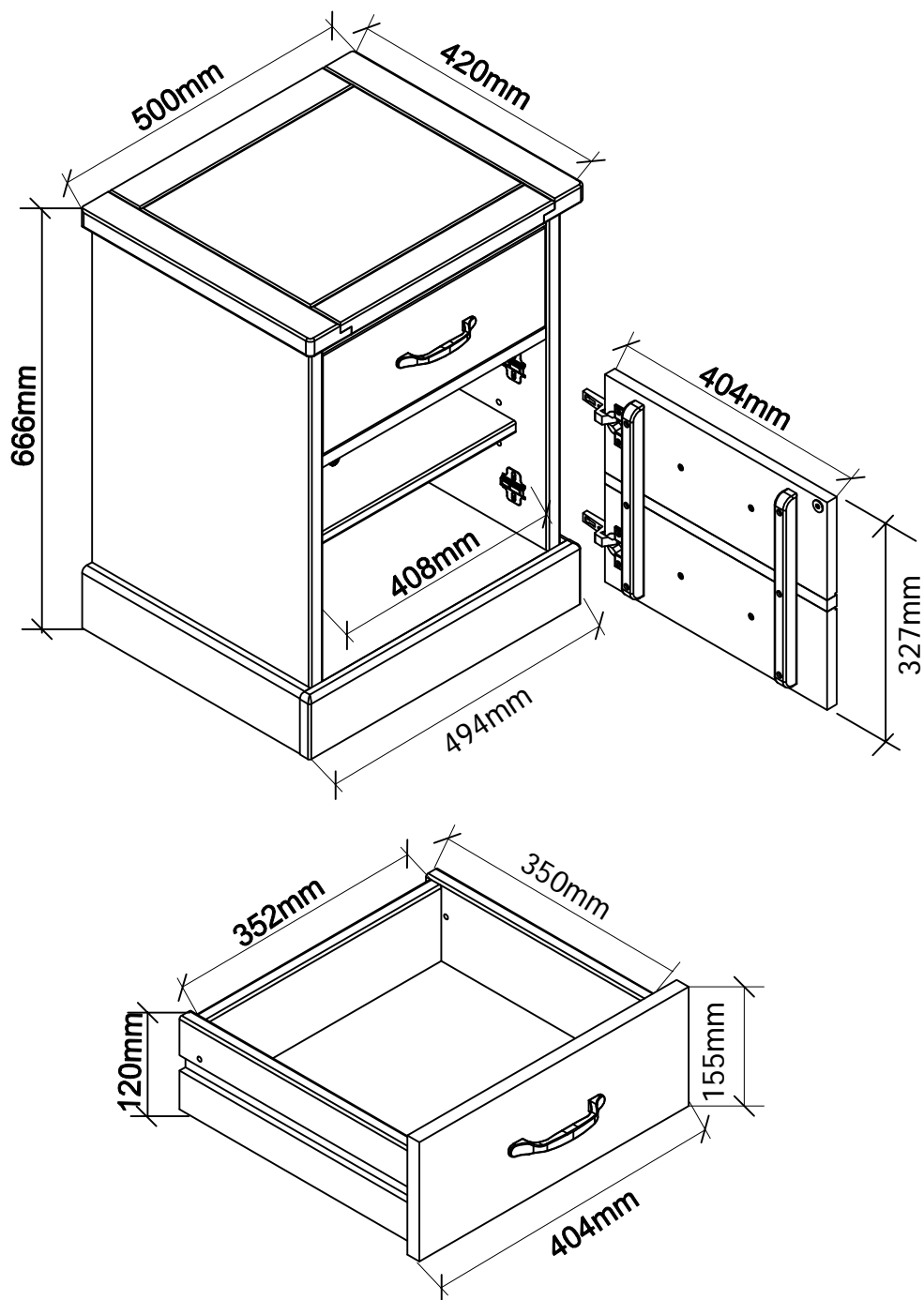


next

HOXTON BEDSIDE

104550

Assembly instructions





HOXTON BEDSIDE
104550
Assembly instructions

Warnings

We suggest you retain these instructions for future reference.

Keep fittings out of children's reach and keep children well away from the construction area.

This product should only be used on firm, level ground.

Please periodically check all fittings and re-tighten as necessary.

Please do not sit or stand on your furniture.

Avoid exposing the furniture to excessive heat or direct sunlight as this can cause deterioration of the colour.

Unwrap all packaging materials and place the components on top of the carton box or on a clean floor to protect it from damage.

Missing parts

If you are missing any fixtures and fittings for your product please contact our customer service team on **0333 777 8999** and they will be happy to arrange for a replacement to be sent to you free of charge.

Home service technicians

If you have a fault with your product please contact our customer service team on **0333 777 8999**. If you have had the product for 28 days or less you may be offered a replacement, refund or for a fully trained home service technician to visit your home to assess the fault and repair the product where possible. If you have had the product for more than 28 days we will send an independent home service technician to review and repair the product where possible and recommend further action.

You can write to us at

Home Customer Services

Next Retail Ltd,
Desford Road,
Leicester,
LE19 4AT

To view our full furniture range please visit www.next.co.uk

PRODUCT SUPPLIED WITH WALL FIXING STRAPS