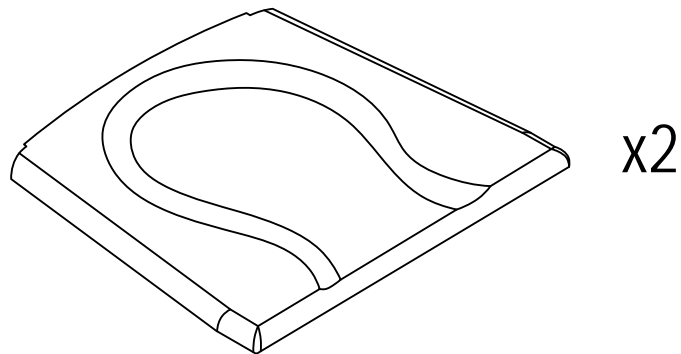
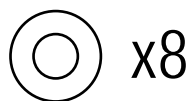
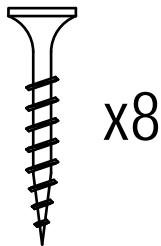


Assembly instructions

Actual product size
H0.2 x W45 x D41 cm



FOR TWO CHAIR:



Need Help?

With: Assembly Instructions
Missing or damaged parts

IMPORTANT - RETAIN FOR FUTURE REFERENCE

CALL: 0333 777 8999

Assembly instructions

BEFORE YOU START

WARNINGS

Important: retain these instructions for future reference.

Keep fitting out of children's reach and keep children well away from construction area.

This product should only be used on firm level ground. Please periodically check all fittings and re-tighten as necessary.

Avoid the furniture to excessive heat or direct sunlight as this can cause cracking of the wood and deterioration of the colour.

Unwrap all packaging materials and place the components on top of carton box or on a clear floor to protect it from damage.

Do's

We suggest you retain these instructions for future reference. We suggest you spend a short time reading through the leaflet before you start.

When you are ready to start, make sure that you have the right tools, plenty of space and clean, dry are for assembly.

Unwrap all packaging materials and place the components on a clean surface to protect it from damage. We recommend that the packaging is used to protect the surfaces during assembly.

Carefully check that you have all the parts before beginning assembly.

Ensure the product is fully assembled as illustrated and all fixings fully tightened before use. Check fixings regularly to ensure they remain tight.

Always wipe dry after cleaning.

To clean your item, please use a soft cloth slightly dampened with water and wipe clean. Then buff with a dry cloth.

Don'ts

This chair is intended for a maximum weight of 100 kg. Do not exceed this weight.

Never allow any kind of liquid to remain on the furniture. Absorption can cause wood to warp or finishes to de-laminate.

Do not use silicone based furniture polish. Silicone in furniture polishes can break down the lacquer finish.

Numbers of people required to assemble

One person is required to assemble this item.

Time to assemble



20 min.

Tips



Look out for the symbol throughout this manual. Wherever you see it, we will have a handy tip to help you with the assembly of your product.

Tools required



not supplied



not supplied

Missing parts

If you are missing any fixtures and fitting for your product please contact our customer service team on 0333 777 8999 and they will be happy to arrange from a replacement to be sent to you free charges.

Home service technicians

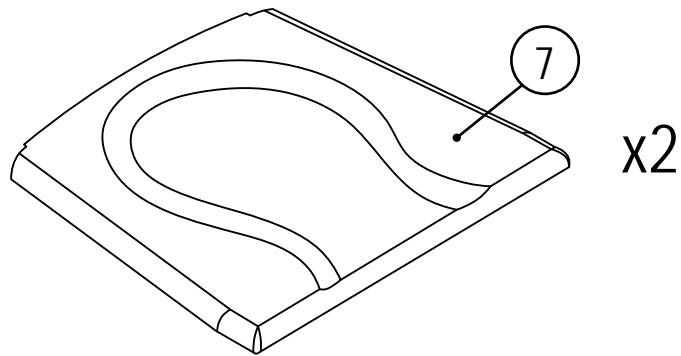
If you have a fault with our product please contact our customer service team on 0333 777 8999. If you had the product for 28 days or less you may be offered a replacement, refund or a fully trained home service technician to visit your home to assess the fault and repair the product where possible. If you have the product for more than 28 days we will send an independent home service technician to review and repair the product where possible and recommend further action.

You can write to us at:

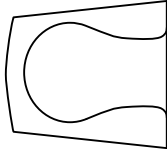
Home customer service
Next Retail Ltd.
Desford Road,
Leicester,
LE19 4AT

To view our full furniture range please visit www.next.co.uk

GETTING TO KNOW YOUR PRODUCT



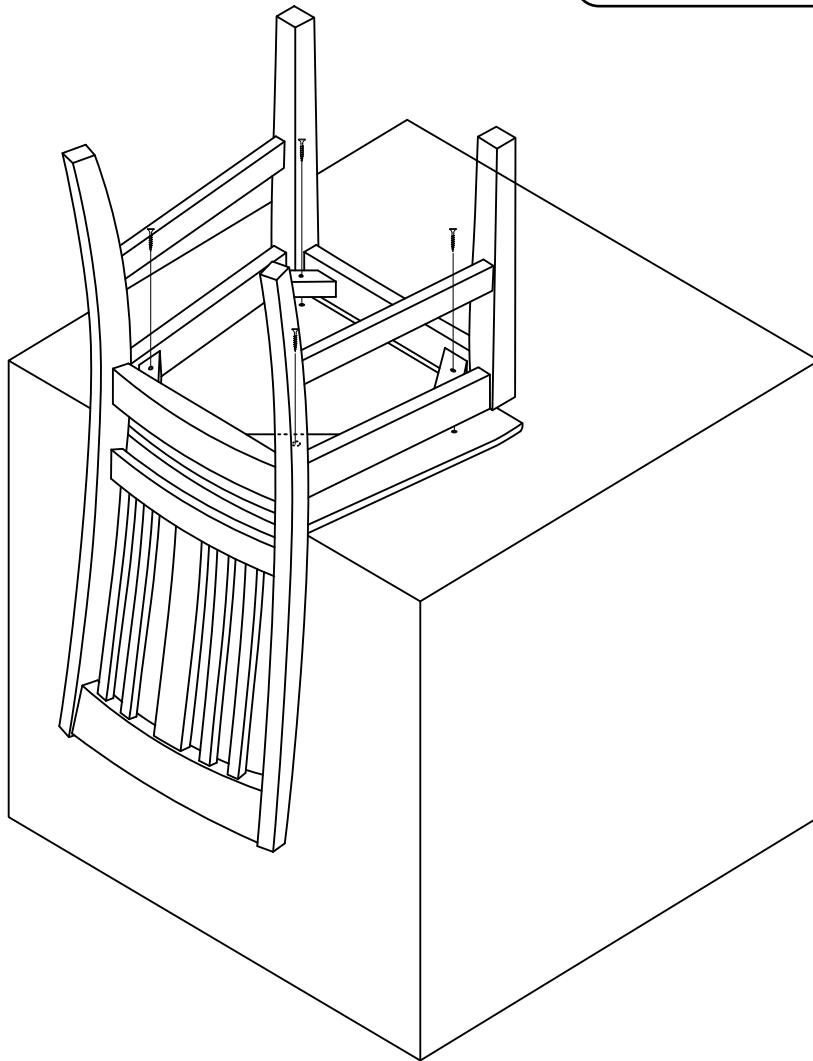
Components supplied. Please use this guide if you require replacement parts

Ref	Dimension	Visual	Qty	Ctn
7	45x41 cm		2	1

Assembly instructions



please use the screws included
with chair Frame to attach the
seat pad



Assembly instructions

