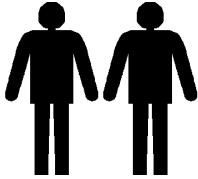


121763 Shropshire Extending Table

ASSEMBLY INSTRUCTIONS.

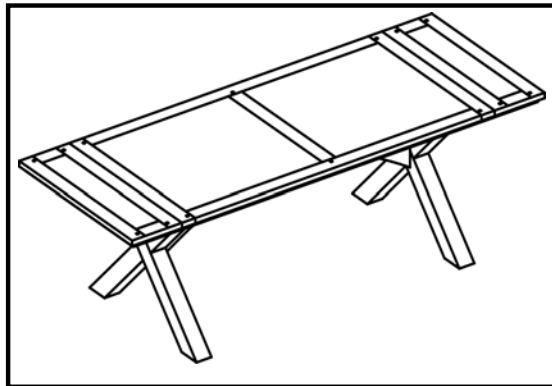
IMPORTANT - RETAIN FOR FUTURE REFERENCE - READ CAREFULLY.

Tools Needed



Helpline

If you have any problems with this product or require any replacement fittings please contact Customer Services Tel: 0333 777 8999



Regrettably self assembly items cannot be returned once assembly is part or fully completed unless the item is found to be faulty. Should you need to return the unassembled product, please repack in the original packaging.

IMPORTANT

- We suggest you spend a short time reading through this leaflet and then follow the simple step-by-step instructions.
- Carefully check that you have all parts before beginning assembly.
- Keep fittings out of children's reach and keep children well away from the construction area.
- We recommend that the packaging is used to protect the surfaces during assembly.
- A minimum of 2 persons is required to assemble this product.

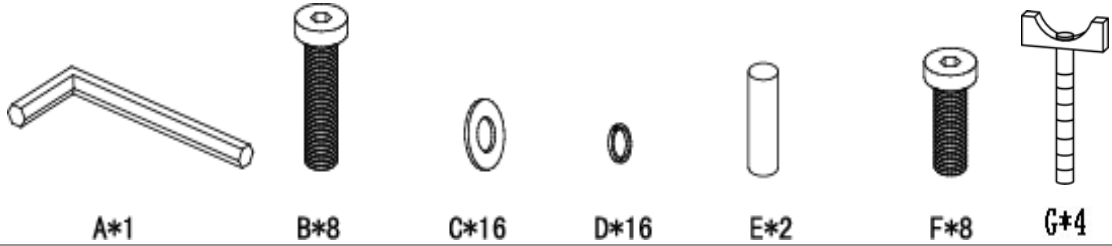
PRODUCT INFORMATION

- Made from solid oak with lacquer finish.
- The Shropshire range is manufactured in China from a carefully selected grade of oak that contains many naturally occurring variations such as knots and prominent grain to give a natural look.
- These characteristics produced by nature, enhance the look of the furniture and make each piece unique and individual.
- To prevent dead knots from falling out over time these are removed and filled by hand to maintain the look.
- As knots are natural the size and quantity per item will vary, this reinforces the individuality of each piece making each item unique.
- Oak wood and veneers often have random pale markings in the grain, these are called medullary rays which are a natural, unique and desirable feature of the wood.

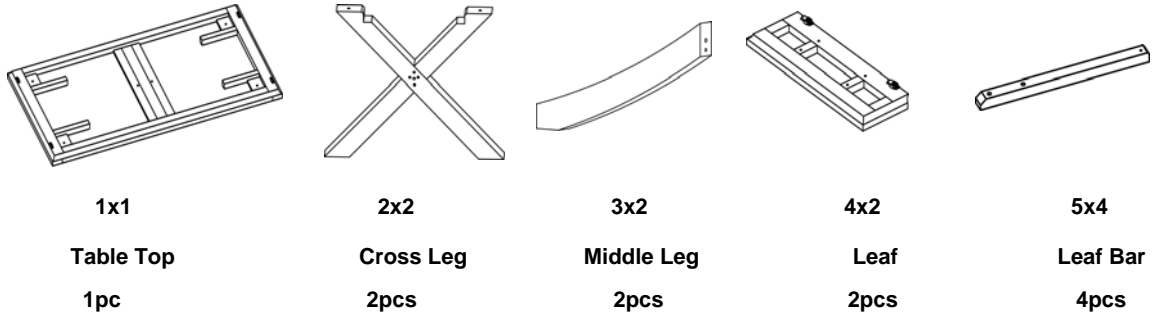
CARE INSTRUCTIONS

- For general cleaning, periodically dust with a soft cloth.
- Do not rub or scrub the surface when cleaning.
- Always use a non-silicone based furniture polish. Silicone in furniture polishes can break down the lacquer finish.
- Any spills should be removed immediately with a soft clean damp cloth and dried immediately.
- Ensure the product is protected with mats and coasters when items are placed on the surfaces, to prevent scratching or damage.
- Do not put hot dishes directly on the surfaces of the item.
- Avoid keeping furniture in direct sunlight or close to any heat sources as this can cause cracking, discolouration or warping.
- Never drag pieces of furniture across the floor as this will cause damage to the joints.
- All assembly fixings should always be tightened properly and periodically check all fixings and tighten if necessary.

FITTINGS



PARTS



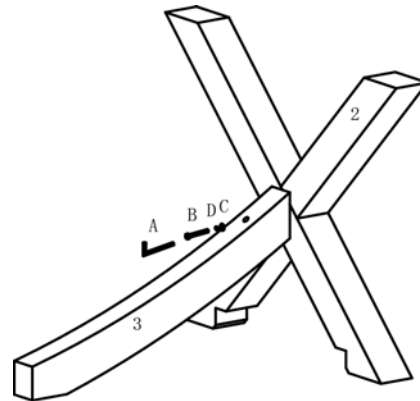
STEP ONE

Insert dowel E x 1 to Middle leg (3) x 2.



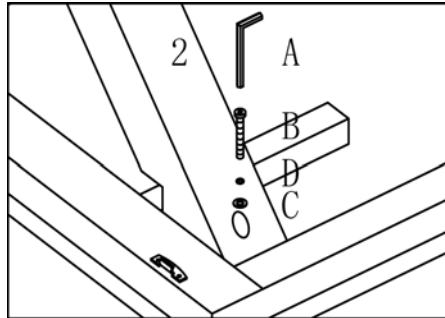
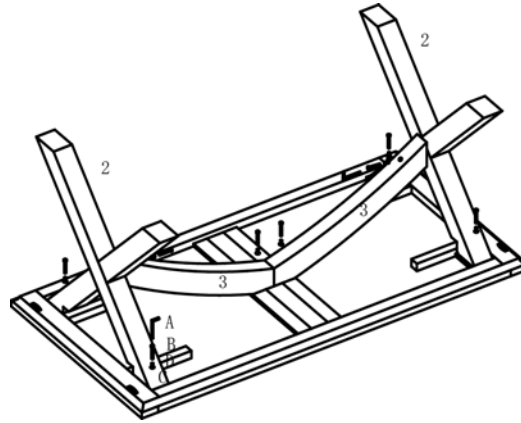
STEP TWO

Attach Middle leg (3) x 2 to Cross leg (2) x 2 using bolt (B)x1 flat washer (D)x1 and spring washer (C)x1. Tighten with alien key (A) provided. Please do not over tighten.



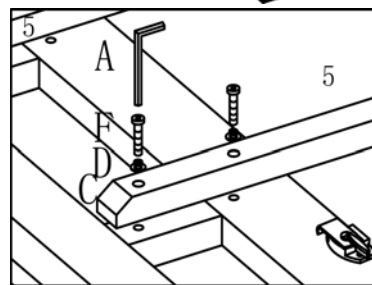
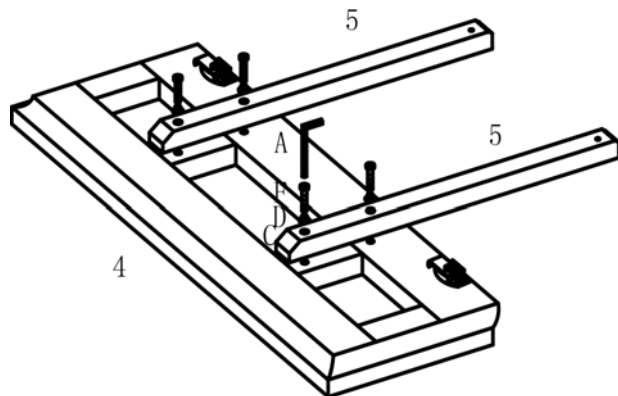
STEP THREE

Attach assembled legs x 2 to the table top (1) as shown in diagram using bolt (B)x6 flat washer (D)x6 and spring washer (C)x6. Tighten with alien key (A) provided. Please check that all bolts are tighten enough.



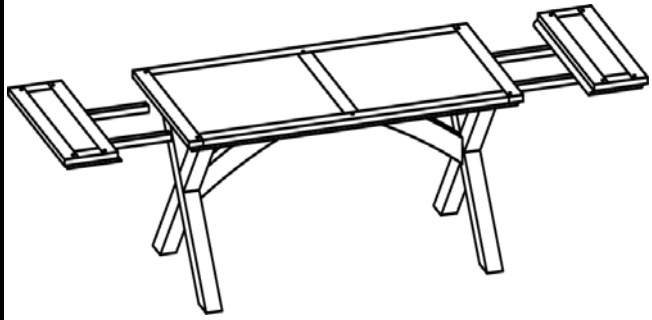
STEP FOUR

Attach Leaf bar (5)x4 to extension Leaf (4)x2 with bolt (F)x8 flat washer (D)x8 and spring washer (C)x8. Tighten with alien key (A) provided. Please leave bolts loose, that to adjust bars after assembling with the table top.



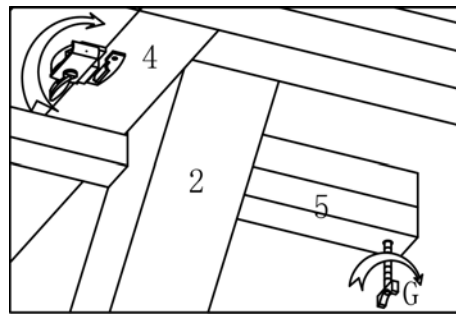
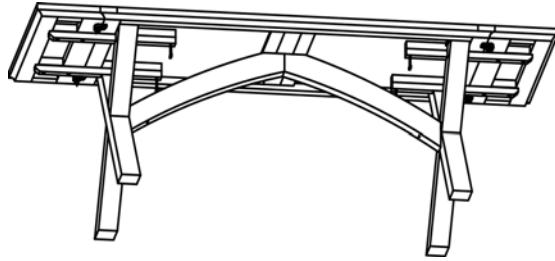
STEP FIVE

Attach extension Leaf (x2) to the table as shown in diagram.



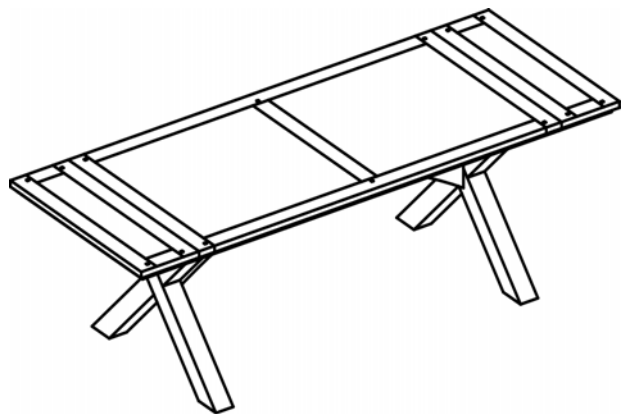
STEP SIX

Lock catch as shown in diagram. Align leaf bars and tighten them with bolt G. Please do not over tighten.



STEP SEVEN

Assembly is now complete.



Next Retail Ltd, Desford Road, Leicester, LE19 4AT