

BEFORE YOU GET STARTED...

We're confident you'll love your gorgeous new Next furniture. However, it's worth making absolutely certain before you put it all together.

So, let's quickly run through these three steps:

1. COLOUR

Make sure you're happy with the colour
No need to unpack everything, just check the first component.

2. PROTECTIVE PACKAGING

If you're happy, then it's time to get opening! Start by laying everything out on the protective packaging – this will prevent anything getting scratched.

3. PARTS PAGE

Finally, double check you have all the pieces by referencing the parts page of the instructions.

TIPS FOR RETURNS

Not completely happy with the product? No problem. We just need everything back in the original packaging, so follow the steps below and this will ensure a super-smooth returns process and no delay to your refund.

DO



- Check everything is there (the 'parts page' is a handy checklist).
- Pop all the loose fittings and fixtures into the packaging provided or tie them up in a plastic bag.
- Wrap all the big components back up in the original protective packaging.
- Close up the box and seal it securely (don't be afraid to use plenty of tape).

DON'T



- Leave anything assembled - all components should be dismantled and separately packed.
- Put loose fixtures and fittings straight into the box.
- Throw it back in the box carelessly – as it may get damaged.

next
HOME

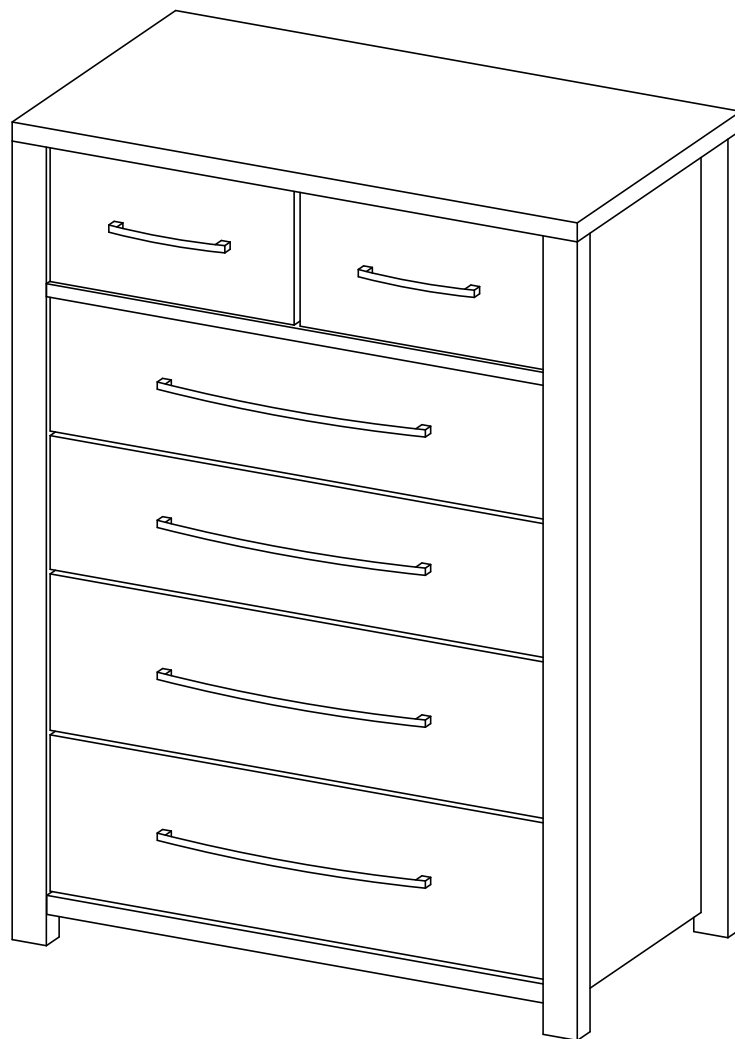
Then just give us a call on 0333 777 8999 and we'll sort out a pick up time for you.



CUBA WALNUT ST CHEST

121916
Assembly instructions

Actual product size
H112x W82x D44cm



Need Help?

With: Assembly instructions
Missing or damaged parts

IMPORTANT - RETAIN FOR FUTURE REFERENCE

CALL: 0333 777 8999



CUBA WALNUT ST CHEST

121916

Assembly instructions

BEFORE YOU START

Warnings

We suggest you retain these instructions for future reference.

Keep fittings out of children's reach and keep children well away from the construction area.

This product should only be used on firm, level ground.

Please periodically check all fittings and re-tighten as necessary.

Please do not sit or stand on your furniture.

Avoid exposing the furniture to excessive heat or direct sunlight as this can cause deterioration of the colour.

Do's

We suggest you spend a short time reading through this leaflet before you start.

When you are ready to start, make sure that you have the right tools and plenty of space.

Unwrap all packaging materials and place the components on a clean surface to protect them from damage.

We recommend that the packaging is used to protect the surfaces during assembly.

Carefully check that you have all the parts before beginning assembly.

Due to the size of the product we recommend that it is assembled in the room intended for use.

Ensure the product is fully assembled as illustrated and all fixings are fully tightened before use.

Wipe occasionally with a soft cloth slightly dampened with water. Then buff with a dry clean soft cloth.

Wood will mellow and change colour over time, we recommend that ornaments and items placed on the surface are moved regularly for the first few months to prevent uneven mellowing.

Don'ts

Do not drag or pull your furniture.

Do not use silicone based furniture polish. Silicone in furniture polishes can break down the finish.

Never allow any kind of liquid to remain on your furniture.

Absorption can cause wood to warp or finishes to de-laminate.

Do not place hot items (e.g. hot drinks) directly on to the wood surface. Please make sure you use a placement or coaster

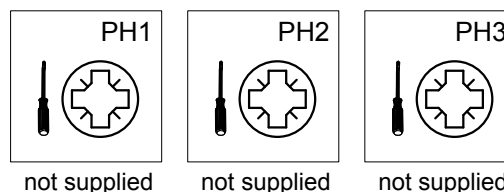
Number of people required to assemble

Two persons are required to assemble this item.

Time to assemble



Tools required



Missing parts

If you are missing any fixtures and fittings for your product please contact our customer service team on 0333 777 8999 and they will be happy to arrange for a replacement to be sent to you free of charge.

Home service technicians

If you have a fault with your product please contact our customer service team on 0333 777 8999. If you have had the product for 28 days or less you may be offered a replacement, refund or for a fully trained home service technician to visit your home to assess the fault and repair the product where possible. If you have had the product for more than 28 days we will send an independent home service technician to review and repair the product where possible and recommend further action.

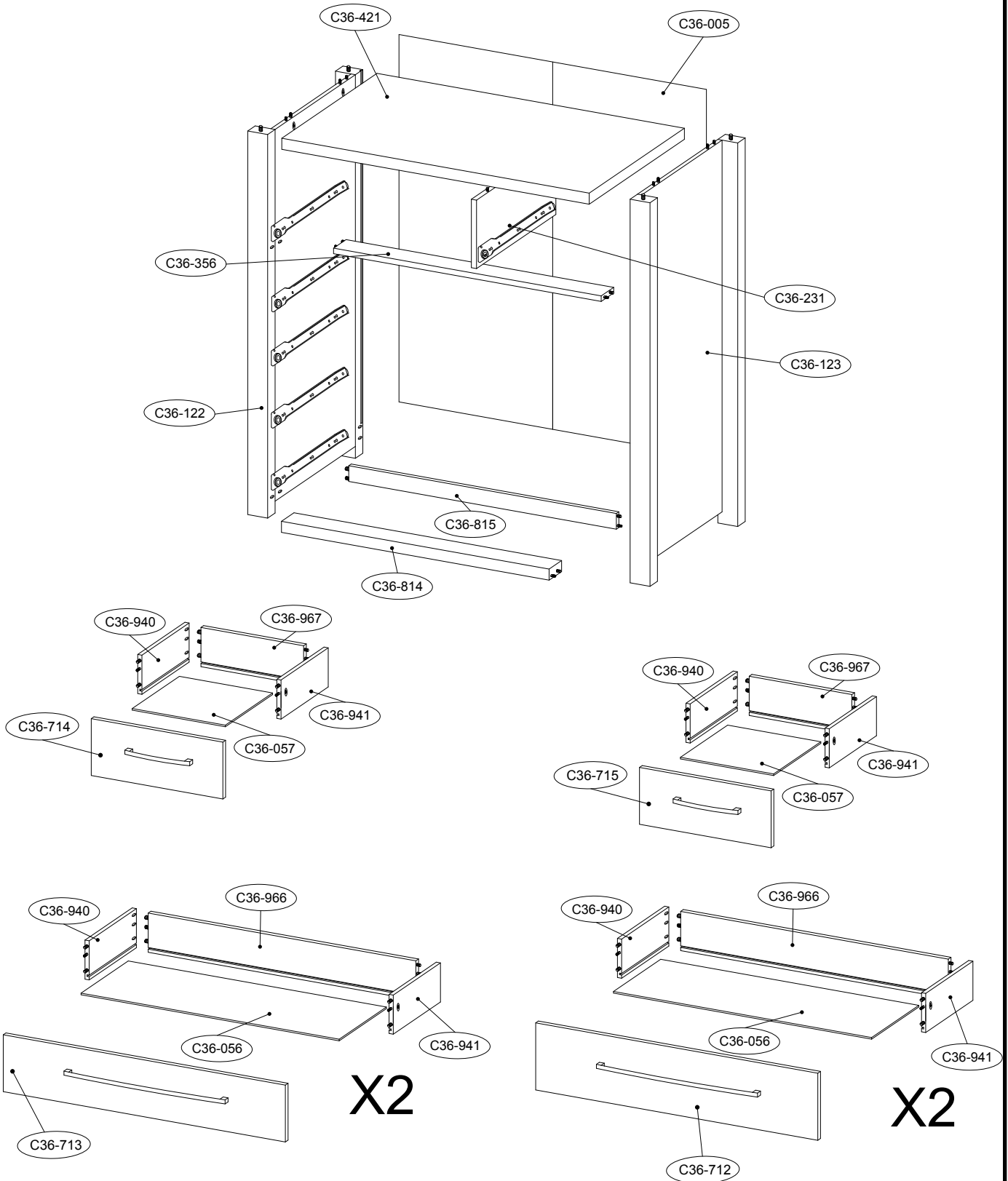
You can write to us at

Home Customer Services
Next Retail Ltd,
Desford Road,
Leicester,
LE19 4AT

To View our full furniture range please visit www.next.co.uk

PRODUCT SUPPLIED WITH WALL FIXINGS

GETTING TO KNOW YOUR PRODUCT





CUBA WALNUT ST CHEST

121916

Assembly instructions

Components supplied. Please use this guide if you require replacement parts.

Ref	Dimensions	Visual	Qty	Ctn
C36-122	107 x 44cm		1	1
C36-123	107 x 44cm		1	1
C36-231	18 x 40cm		1	2
C36-356	68 x 7cm		1	1
C36-421	82 x 44cm		1	2
C36-712	67 x 21cm		2	2
C36-713	67 x 17cm		2	2
C36-714	33 x 17cm		1	2
C36-715	33 x 17cm		1	2
C36-814	68 x 7cm		1	1
C36-815	68 x 7cm		1	1
C36-940	33 x 14cm		6	1
C36-941	33 x 14cm		6	1
C36-966	62 x 14cm		4	2
C36-967	28 x 14cm		2	2
C36-056	63 x 32cm		4	2
C36-057	29 x 32cm		2	2
C36-005	97 x 68cm		1	1



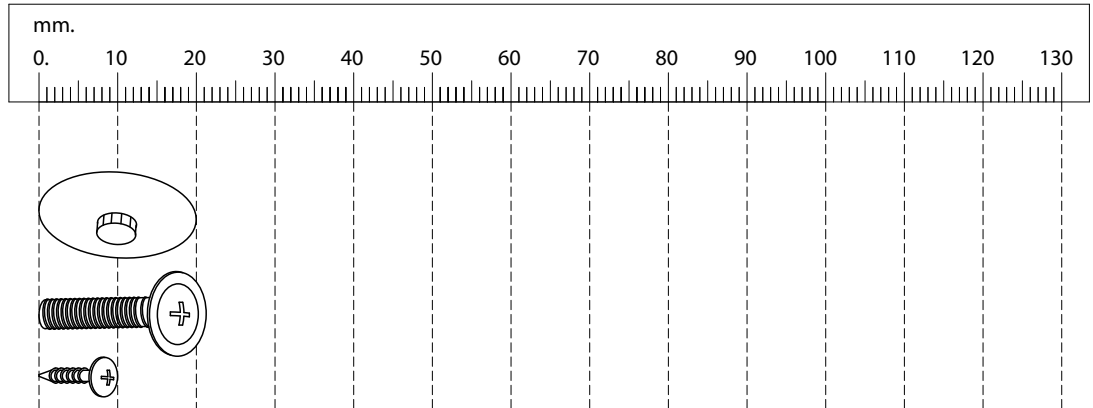
CUBA WALNUT ST CHEST

121916

Assembly instructions

Fixtures and fittings supplied (actual size)

Ref	Dimensions	Qty
C	5 x 20 mm	24
G	4 x 22 mm	12
Z	3 x 10 mm	4



Fixtures and fittings supplied (not to scale)

Ref	Dimensions	Visual	Qty
I1	N/A		1
Ref	Dimensions	Visual	Qty
J	N/A		8

Ref	Dimensions	Visual	Qty
J2	N/A		4
Ref	Dimensions	Visual	Qty
U	N/A		4

Ref	Dimensions	Visual	Qty
U1	N/A		2

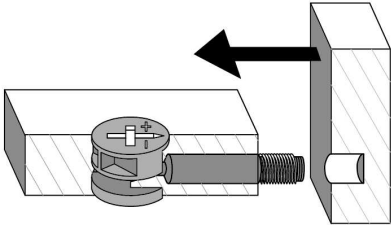
CUBA WALNUT ST CHEST

121916

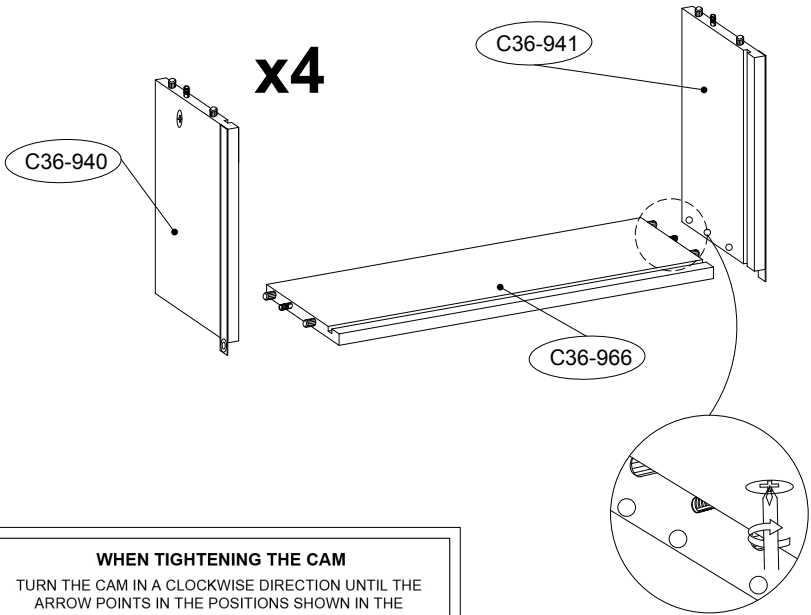
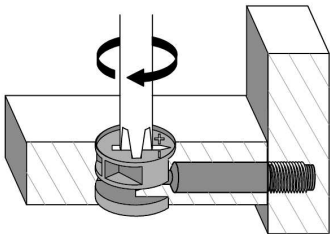
Assembly instructions

1

PUSH THE TWO PANELS TOGETHER ALLOWING THE DOWEL TO ALIGN WITH THE HOLE



TURN THE CAM IN A CLOCKWISE DIRECTION



WHEN TIGHTENING THE CAM

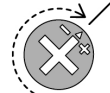
TURN THE CAM IN A CLOCKWISE DIRECTION UNTIL THE ARROW POINTS IN THE POSITIONS SHOWN IN THE DIAGRAMS BELOW



START



MINIMUM
LOCK

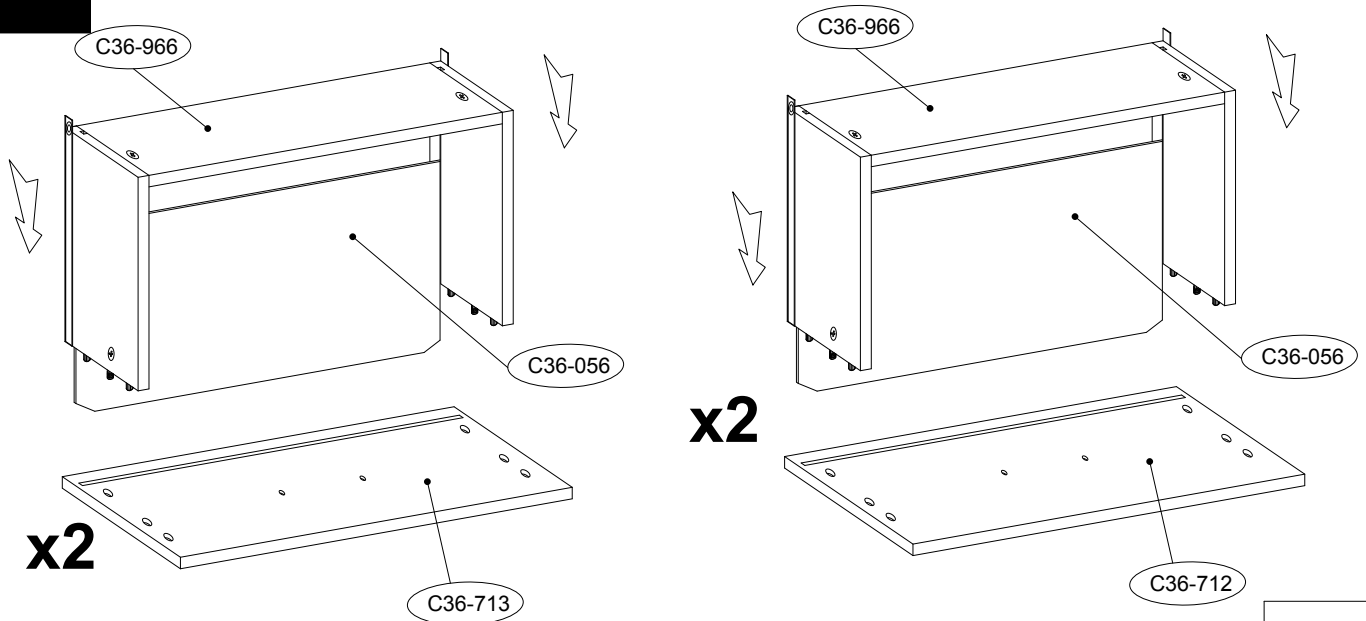


MAXIMUM
LOCK

PH3



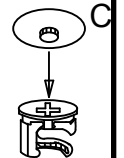
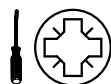
2



Cx16



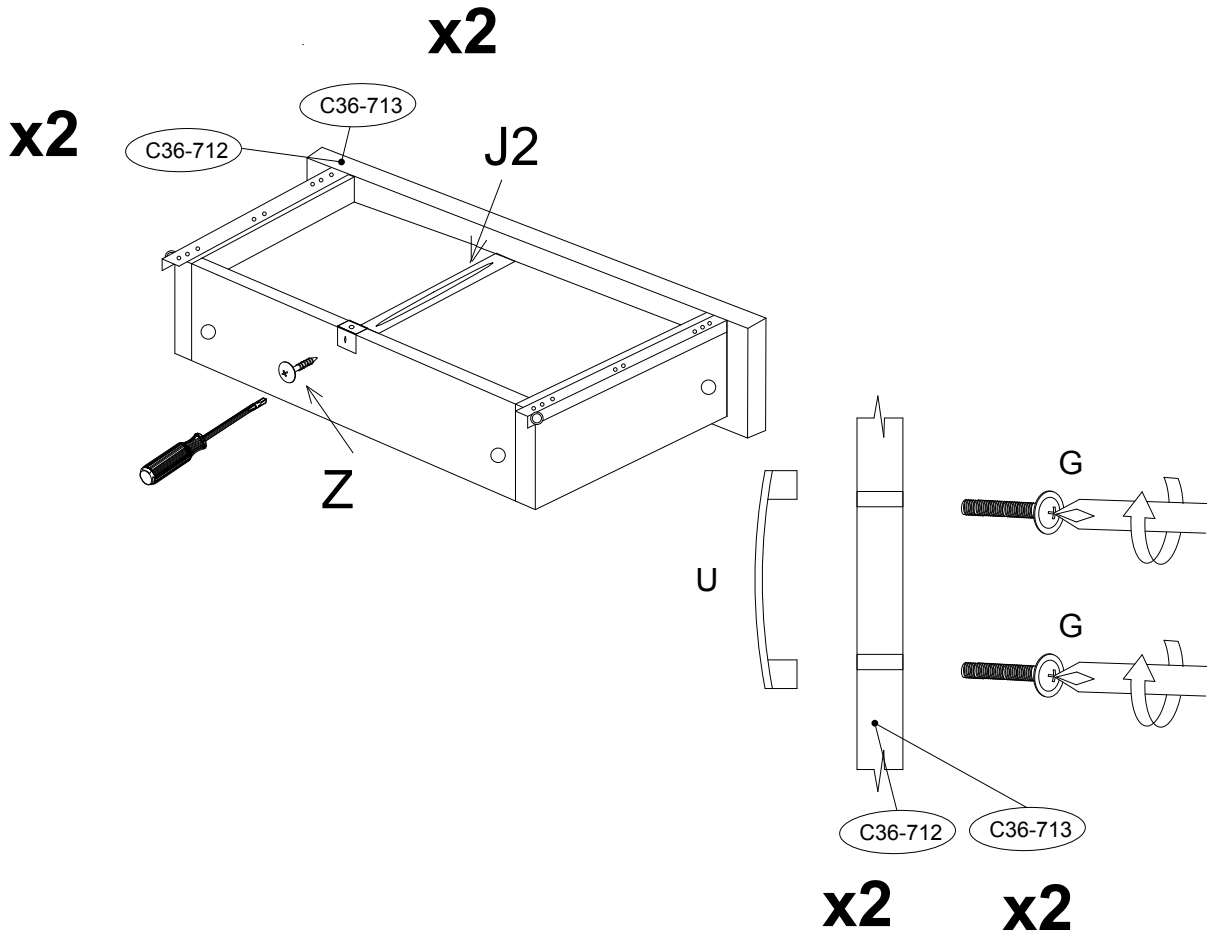
PH3


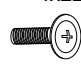


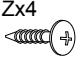
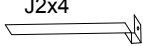


CUBA WALNUT ST CHEST

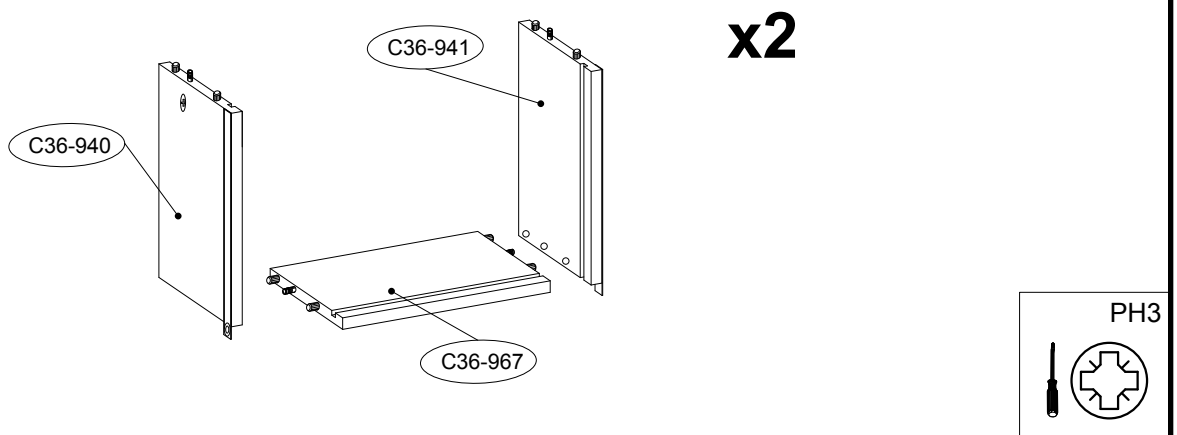
121916
Assembly instructions

3



	<p>PH2 4x22mm Gx8</p> 	<p>Ux4</p> 		<p>PH1 3.0x10mm Zx4</p> 	<p>J2x4</p> 
--	---	--	---	---	---

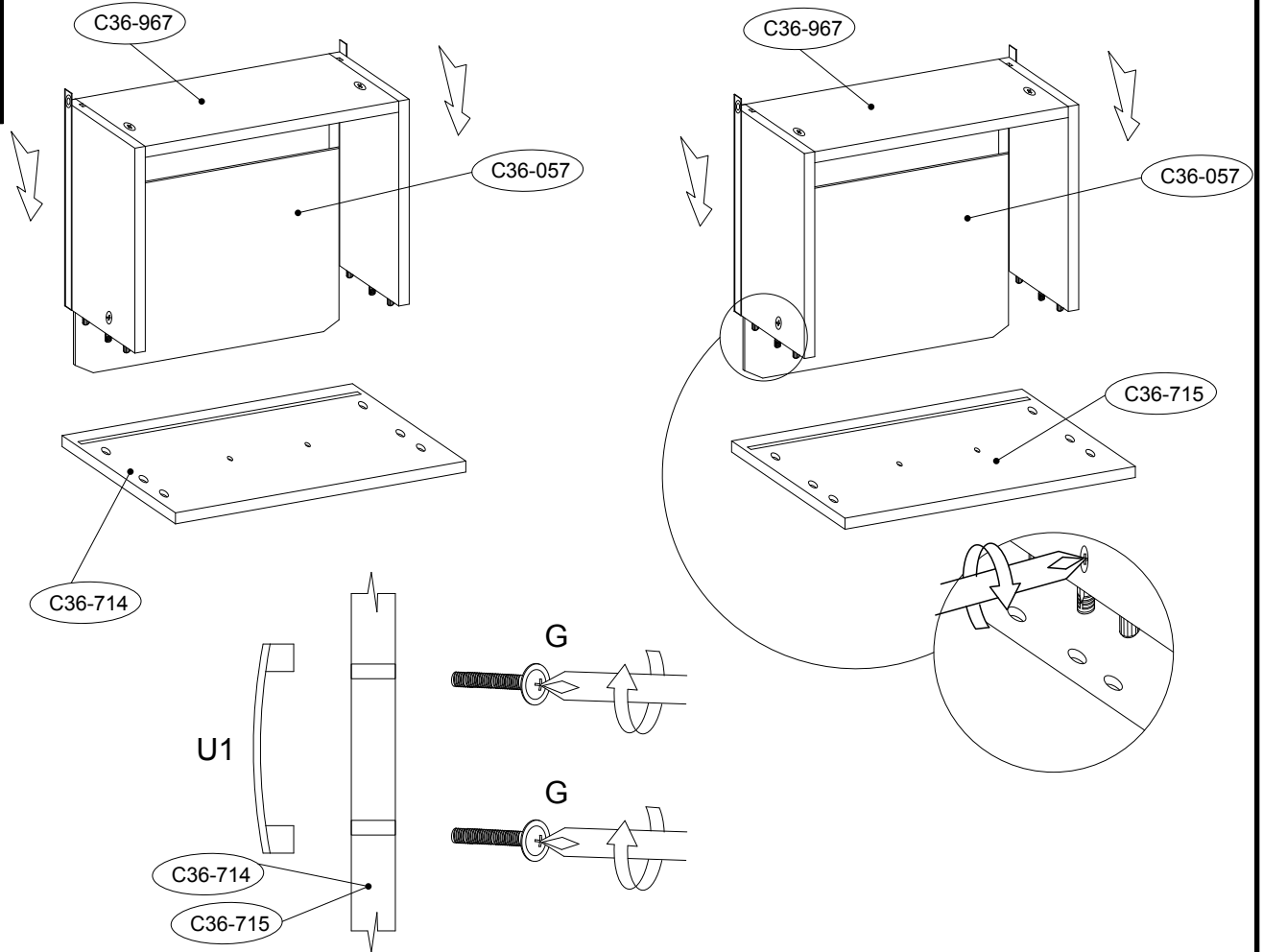
4

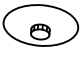

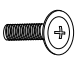

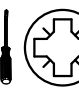
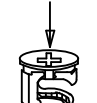


CUBA WALNUT ST CHEST

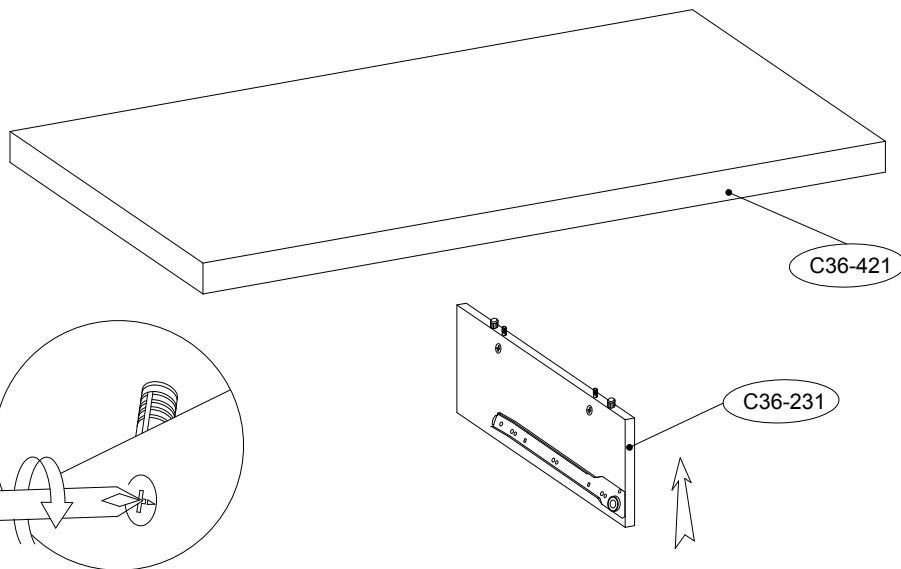
121916
Assembly instructions


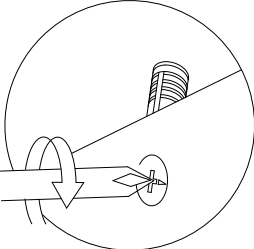
5



Cx8		PH2 	Gx4 4x22mm 	U1x2 	PH3 	
-----	---	--	--	---	--	---

6

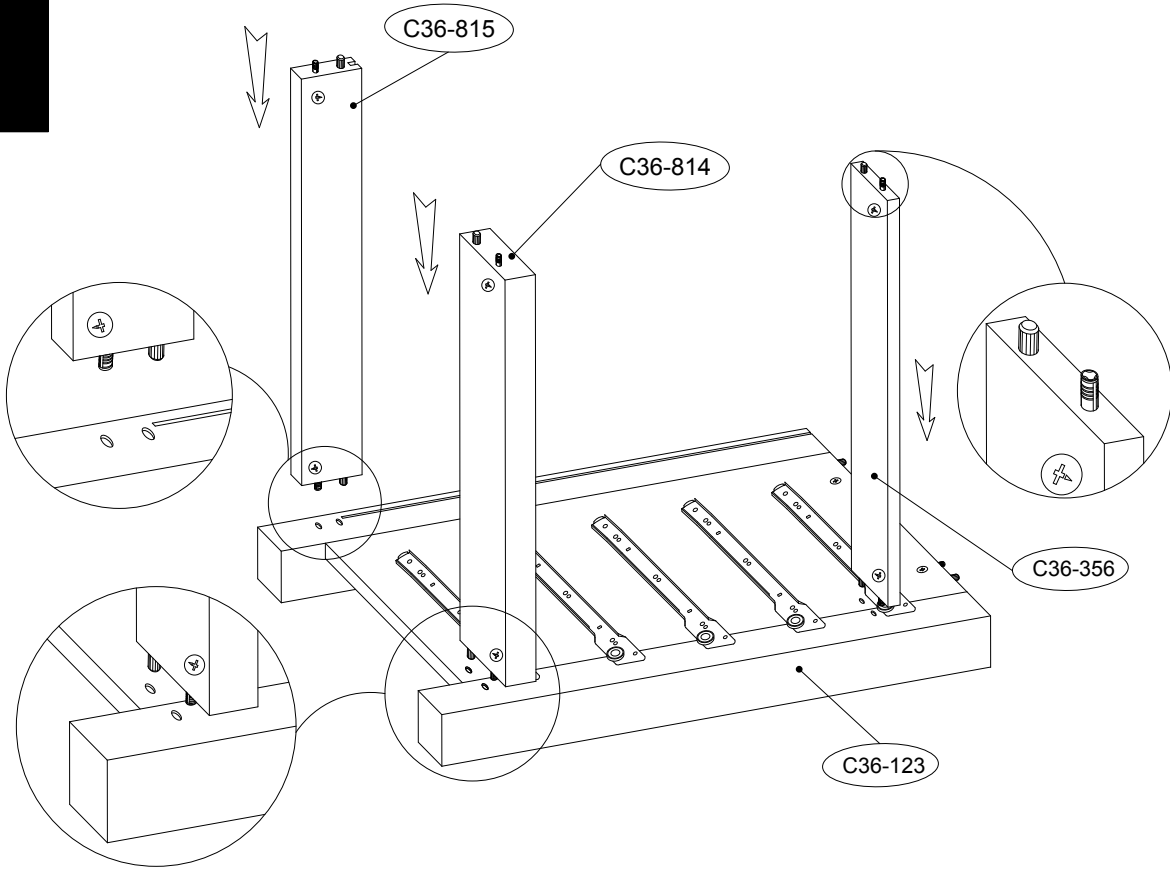


PH3 	
--	---

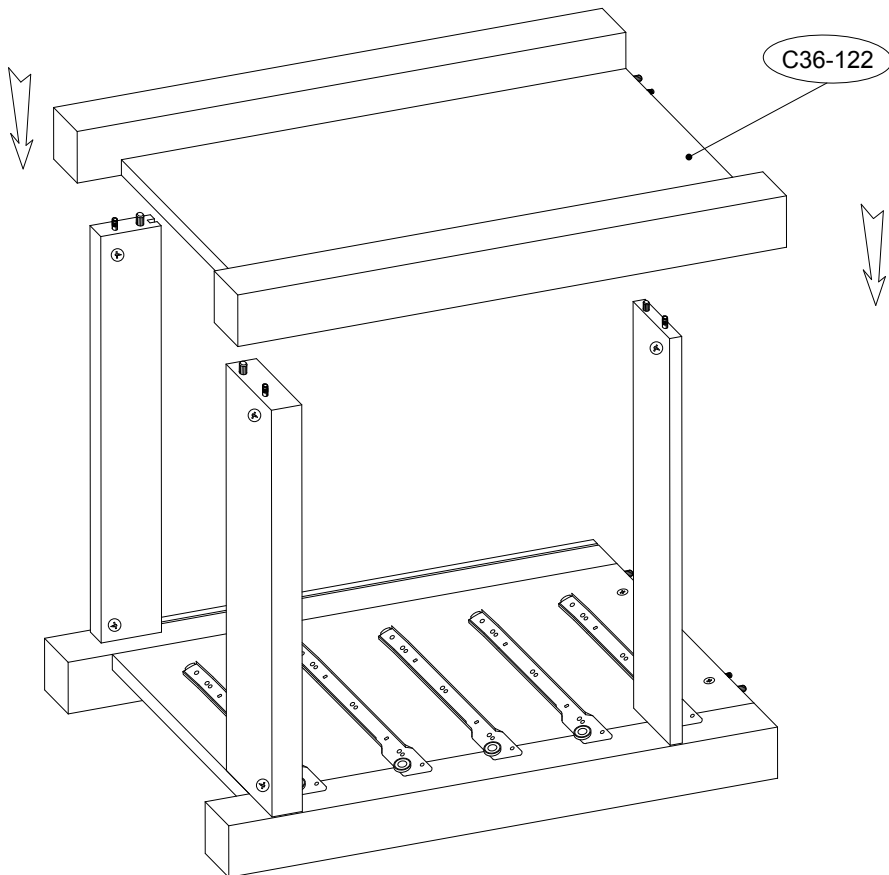
CUBA WALNUT ST CHEST

121916
Assembly instructions

7



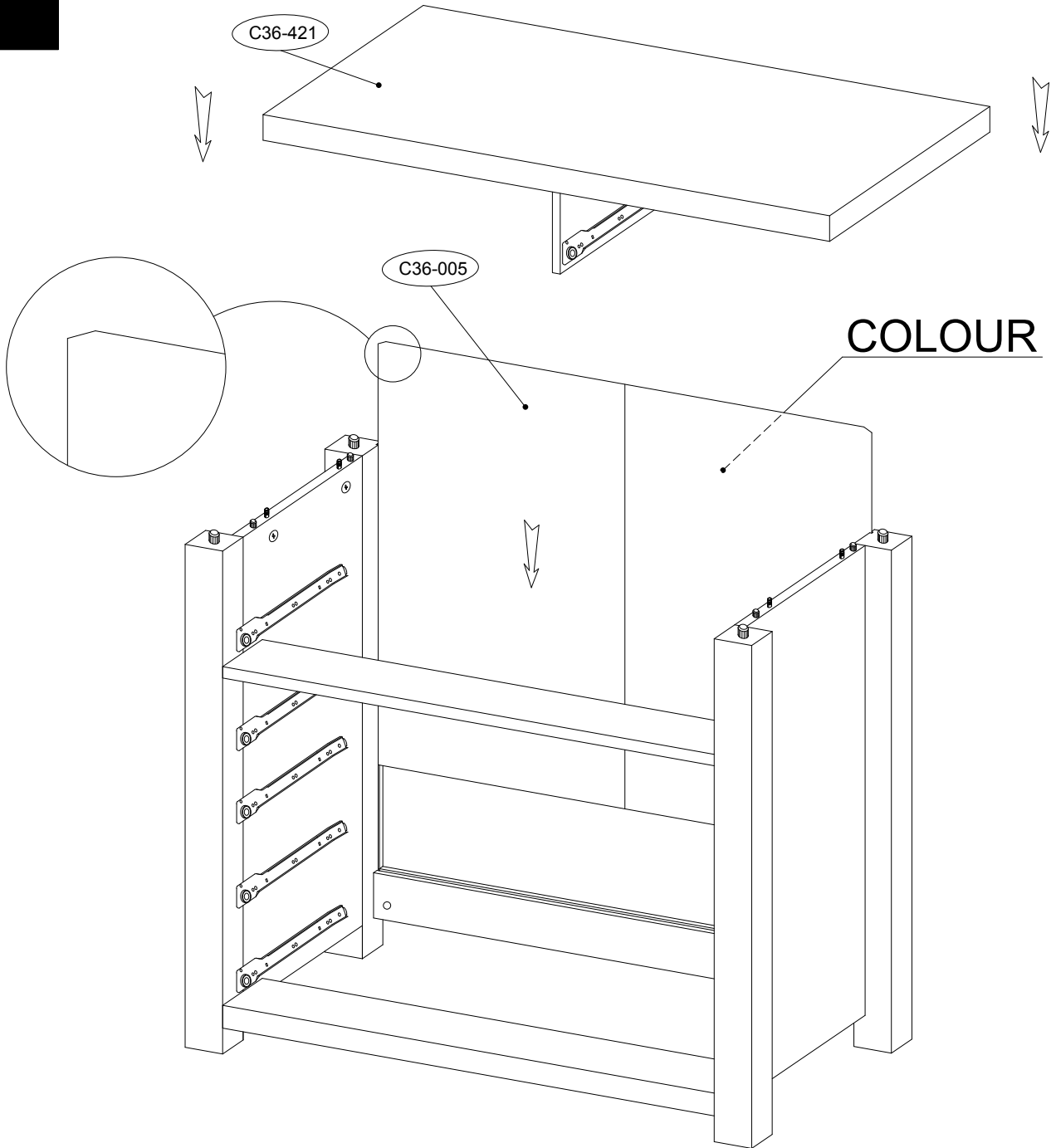
8



CUBA WALNUT ST CHEST

121916
Assembly instructions

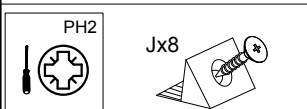
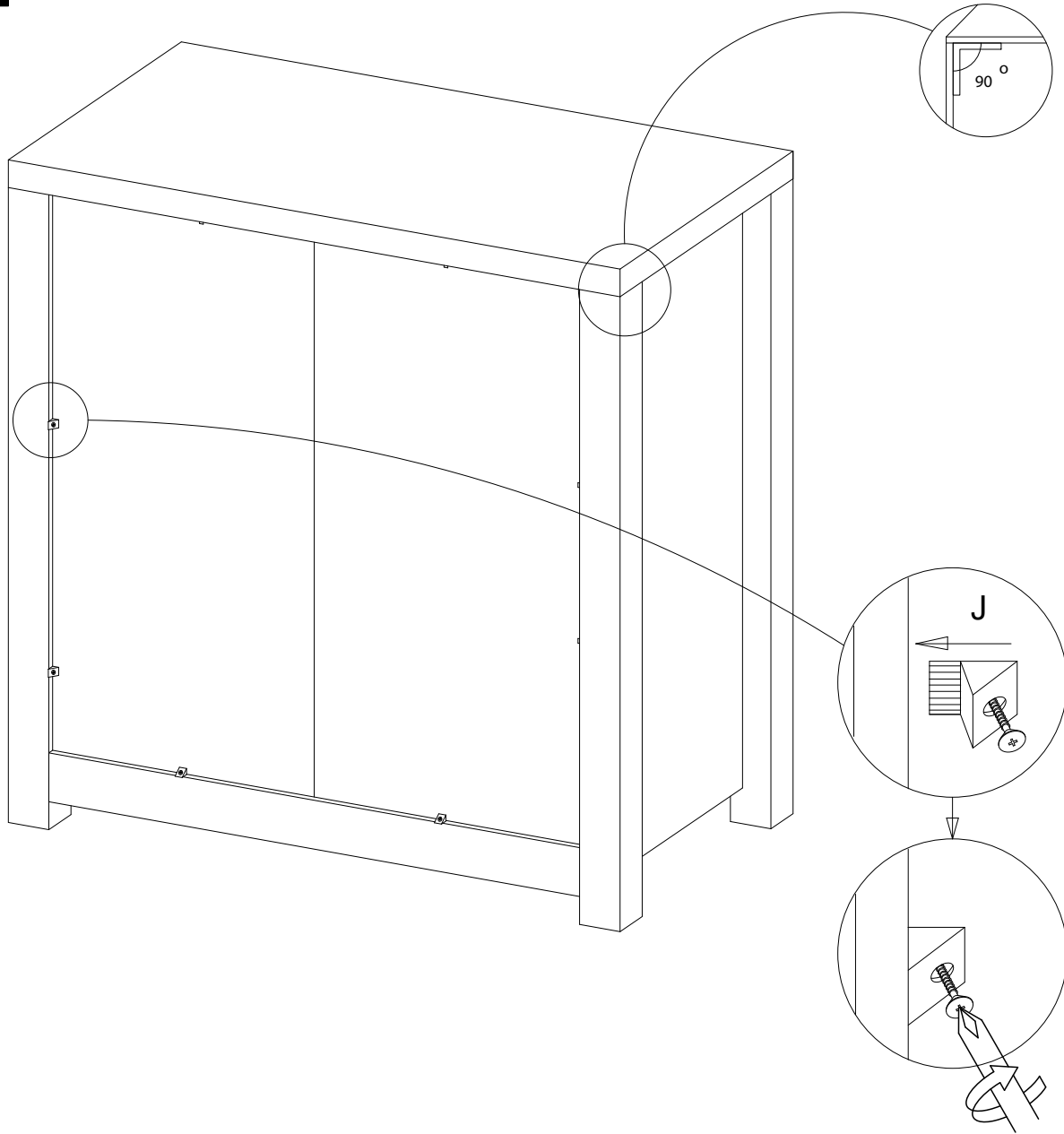
9



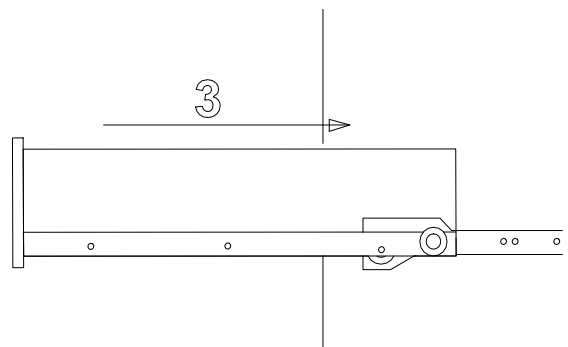
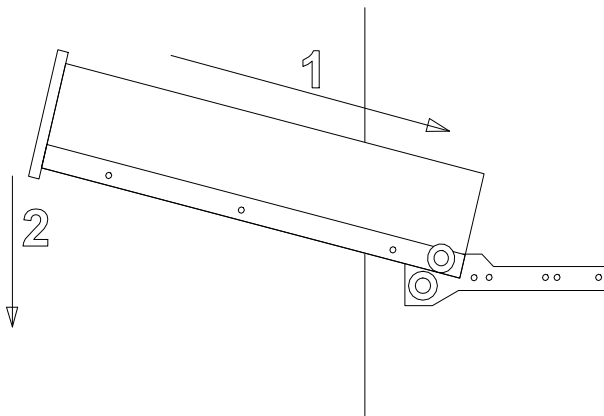
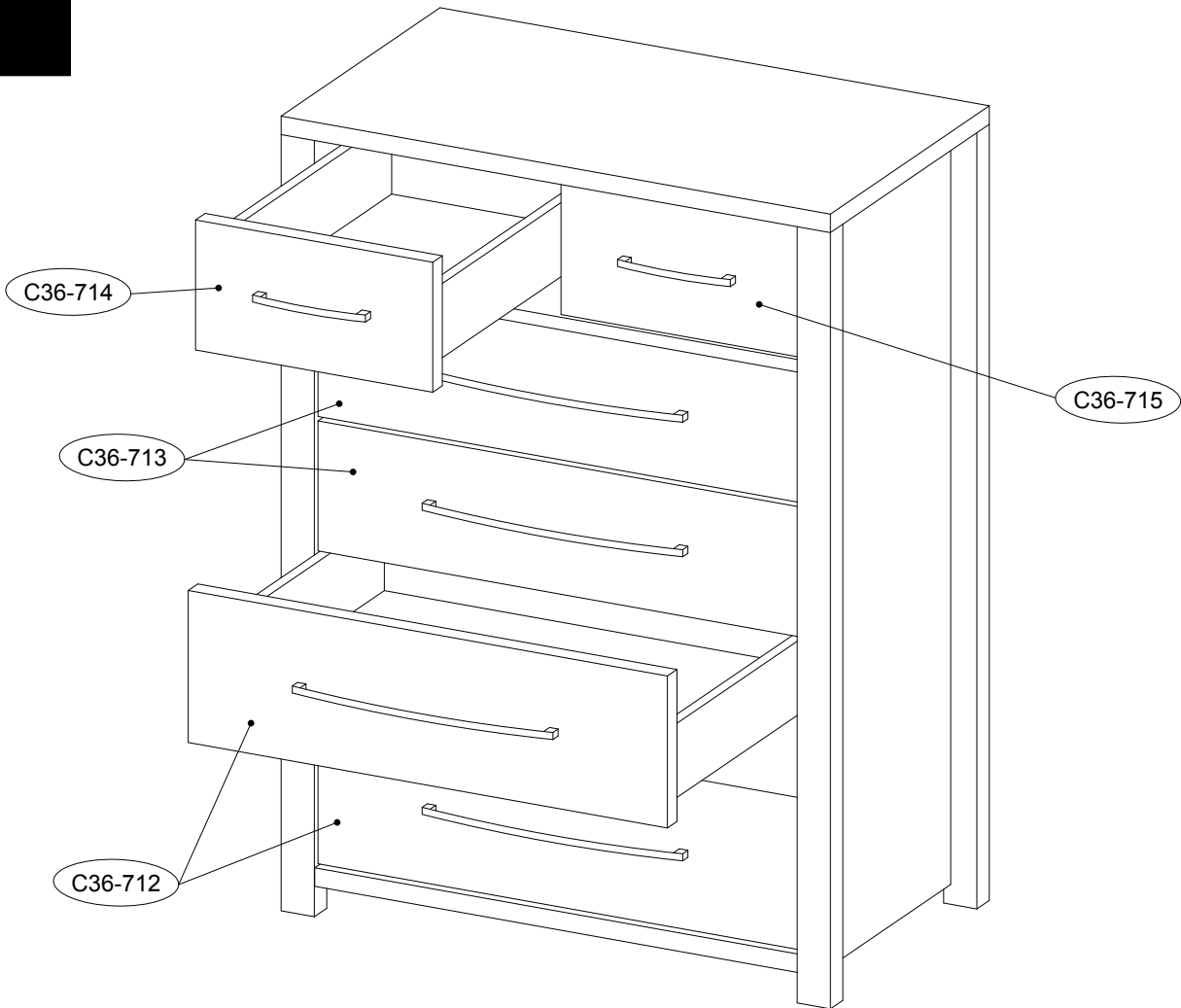
PH3



10



11



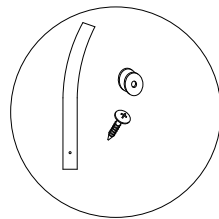
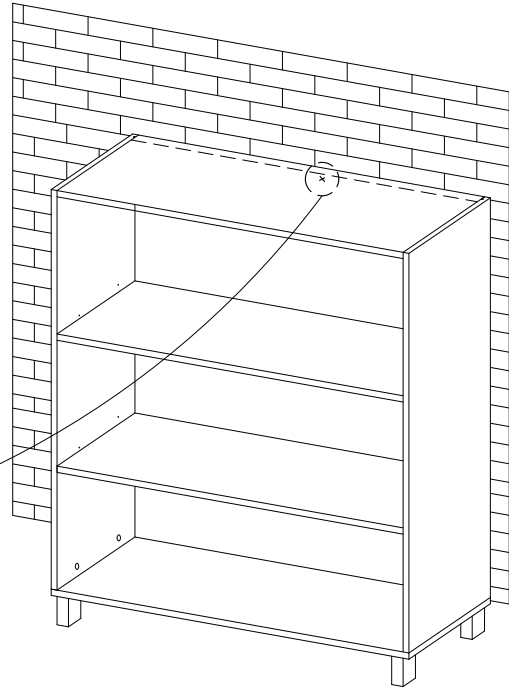
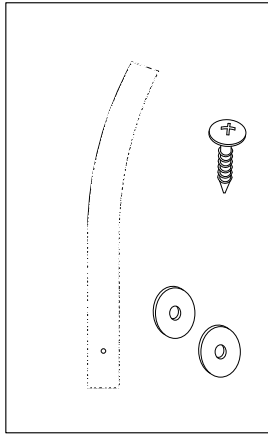
CUBA WALNUT ST CHEST

121916

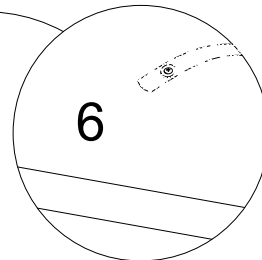
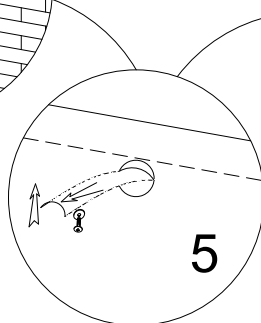
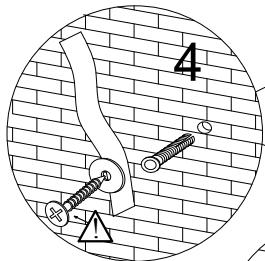
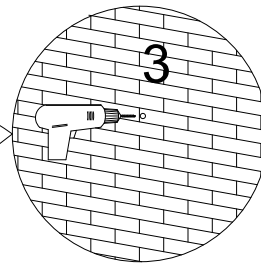
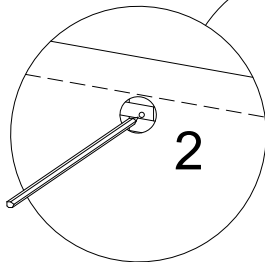
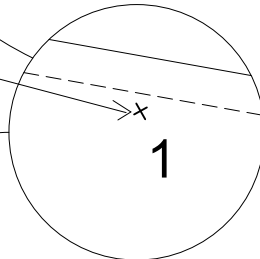
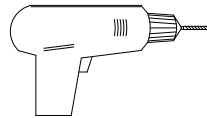
Assembly instructions

12

We recommend the use of the wall strap provided for safety reasons. Please follow the instructions included with the strap. N.B. Wall fixings are not included please source suitable fixings for your wall type. If in doubt, please consult a qualified tradesperson. **WARNING:** Always ensure the wall to be drilled is free from hidden electrical wires, water and gas pipes. Please read separate instructions contained with this part (Y) on the correct way of securing this strap.



Ø8.0



11x1

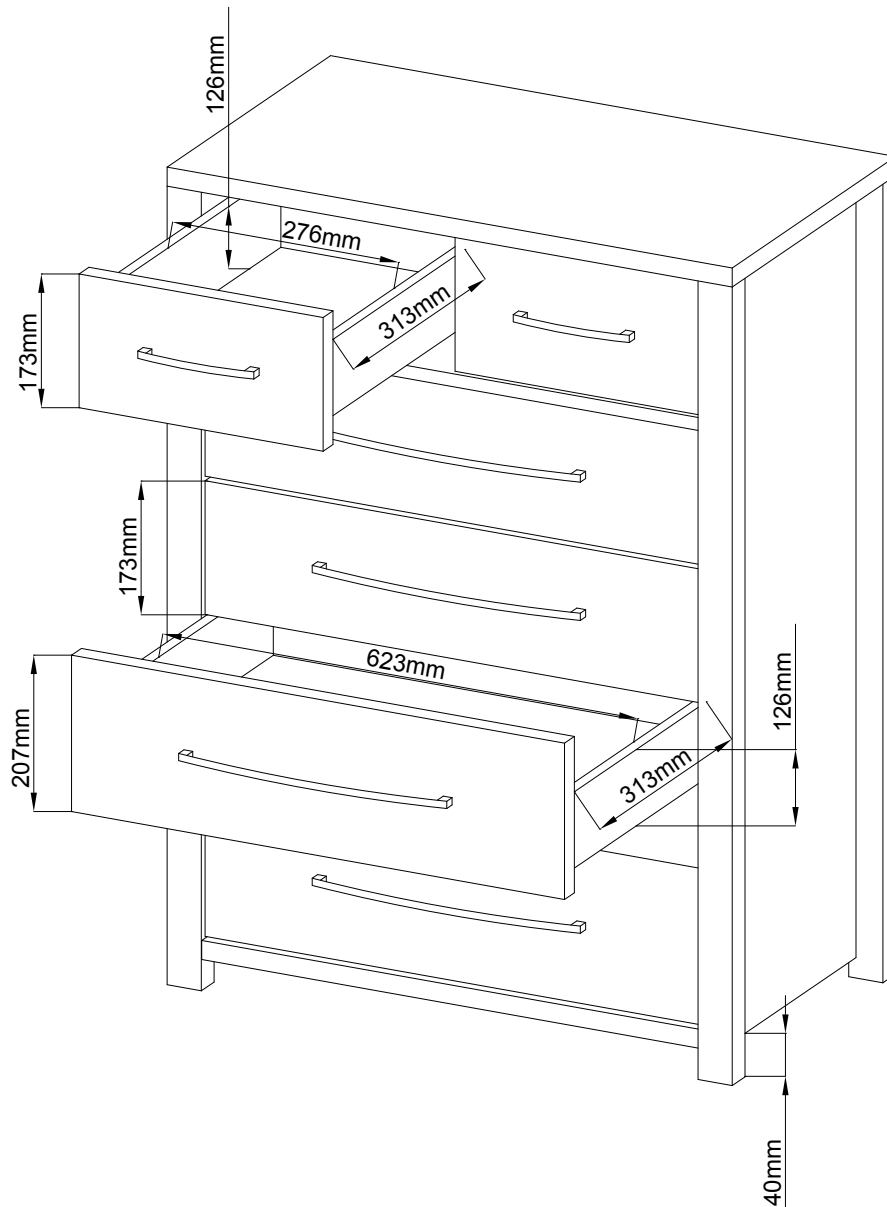




CUBA WALNUT ST CHEST

121916

Actual product size
H112x W82x D44cm

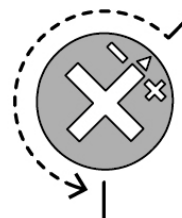


WHEN LOOSENING THE CAM

TURN THE CAM IN A COUNTERCLOCKWISE DIRECTION UNTIL THE ARROW POINTS IN THE POSITION SHOWN IN THE DIAGRAMS BELOW



**MAXIMUM
LOCK**



**TURN
TO UNLOCK**



UNLOCKED