

# BEFORE YOU GET STARTED...

*We're confident you'll love your gorgeous new Next furniture. However, it's worth making absolutely certain before you put it all together.*

*So, let's quickly run through these three steps:*

## 1. COLOUR

Make sure you're happy with the colour  
No need to unpack everything, just check the first component.

## 2. PROTECTIVE PACKAGING

If you're happy, then it's time to get opening! Start by laying everything out on the protective packaging – this will prevent anything getting scratched.

## 3. PARTS PAGE

Finally, double check you have all the pieces by referencing the parts page of the instructions.

## TIPS FOR RETURNS

Not completely happy with the product? No problem.

We just need everything back in the original packaging, so follow the steps below and this will ensure a super-smooth returns process and no delay to your refund.

DO



- Check everything is there (the 'parts page' is a handy checklist).
- Pop all the loose fittings and fixtures into the packaging provided or tie them up in a plastic bag.
- Wrap all the big components back up in the original protective packaging.
- Close up the box and seal it securely (don't be afraid to use plenty of tape).

DON'T



- Leave anything assembled - all components should be dismantled and separately packed.
- Put loose fixtures and fittings straight into the box.
- Throw it back in the box carelessly – as it may get damaged.

next  
HOME

Then just give us a call on 0333 777 8999 and we'll sort out a pick up time for you.

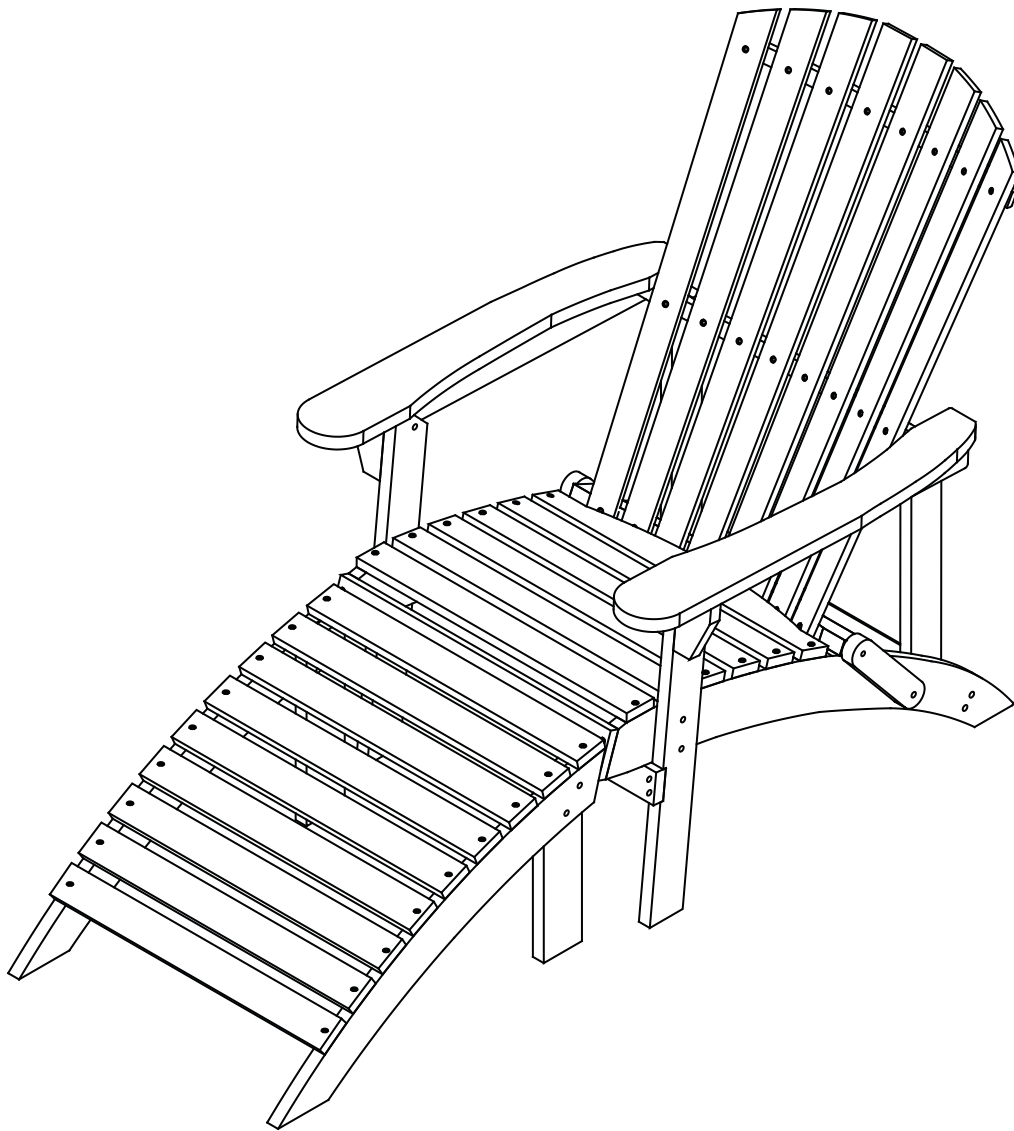
next

# SEVILLE CHAIR

123406 and 938365  
Assembly instructions

**Actual product size**

H89.3 x W68 x D145cm



## Need Help?

With: Assembly instructions  
Missing or damaged parts

**CALL: 0333 777 8999**

**IMPORTANT - RETAIN FOR FUTURE REFERENCE**

## BEFORE YOU START

### WARNINGS

For domestic and outdoor use only.

We suggest you retain these instructions for future reference  
Keep fittings out of children's reach and keep children well away from construction area.

Please periodically check all fittings and re-tighten as necessary  
Unwrap all packaging materials and place the components on top of the carton box or on a clean floor to protect it from damage  
This product should only be used on firm, level ground.

Make sure the legs remain in contact with the ground  
Ensure any safety lock is correctly located and locked in place.  
Keep hands away from folding mechanisms to prevent possible entrapment or injury.

The folding should only be done by competent adults.

### Do's

We suggest you spend a short time reading through this leaflet before you start

When you are ready to start, make sure that you have the right tools and plenty of space

We recommended the use of furniture covers to protect your furniture when not in use. During severe weather conditions, please move your furniture inside

Due to high density of certain hardwoods, fine surface cracks may occur over time due to weathering, but they won't affect the performance of the furniture

Sometimes, a small amount of resin still remains in the wood.  
After being outside for some months, small dark spots may appear.

You can use abrasive paper to sand off the resin spots and reapply suitable furniture oil on the furniture

Wood is a natural material whose appearance will deteriorate when left outside. A surface coating is vital in protecting it from premature darkening or exposure to the weather.

The finish should be regularly maintained to ensure that the wood is protected from moisture and the furniture continues to look its best

This product has an oiled finish in order to maintain of the appearance of the wood, a regular re-application of furniture oil must be applied.

### Don'ts

Do not stand on your chair.

Do not sit on the arms of your chair.

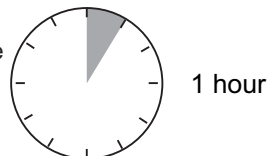
When moving furniture never drag the pieces across the floor, as this will cause damage to the joints

Please do not leave your product outside during bad weather and winter months the product should be dismantled and stored in a cool dry place.

### Number of people required to assemble

Two person to assemble the unit and two person to lift the unit into position.

### Time to assemble



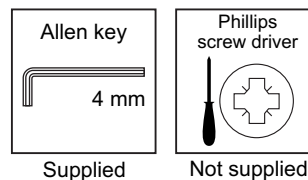
1 hour

### Tips



Look out for the symbol throughout this manual. Wherever you see it we will have a handy tip to help you with assembly of your product.

### Tools required



### Missing parts

If you are missing any fixtures and fittings for your product please contact our customer service team on **0 333 777 8999** and they will be happy to arrange for a replacement to be sent to you free of charge.

### Home service technicians

If you have a fault with your product please contact our customer service team on **0 333 777 8999**. If you have had the product for 28 days or less you may be offered a replacement, refund or for a fully trained home service technician to visit your home to assess the fault and repair the product where possible. If you have had the product for more than 28 days we will send an independent home service technician to review and repair the product where possible and recommend further action.

### You can write to us at

Next Retail Ltd,  
Desford Road,  
Leicester,  
LE19 4AT

To view our full furniture range please visit  
[www.next.co.uk](http://www.next.co.uk)

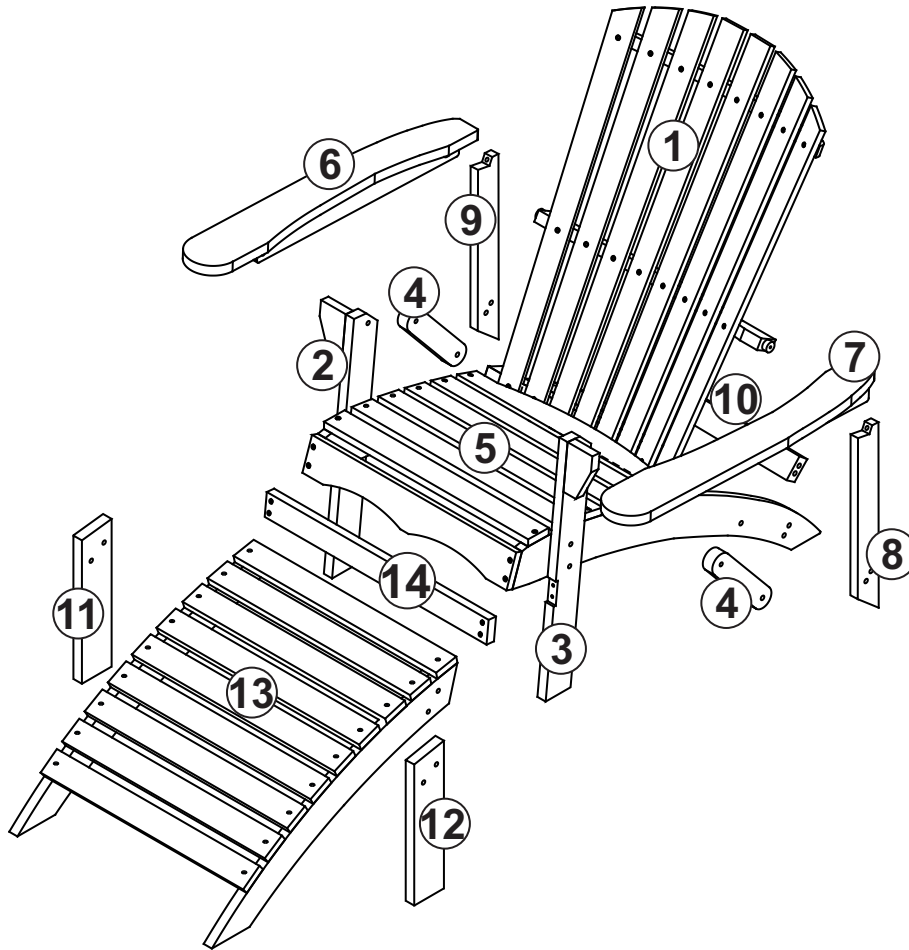
### General care and maintenance for Oil finished products

Dirty surfaces may be cleaned with a lint free cloth dampened with furniture oil. The surface may appear to become rough and dry over time – this is normal and can easily be treated by lightly sanding the surface using fine sandpaper (i.e. no. 320 grit sand paper) in the direction of the grain. This procedure must always be followed by re-oiling of the wood.

### Full re-oiling the product

It is recommended to fully re-oil 1-2 times a year using outdoor furniture oil (e.g. linseed oil). Firstly carry out the sanding process as described above and then dampen a lint free cloth with the furniture oil and rub into the wood in the direction of the grain (always trial on an unseen face first to ensure the colour is acceptable). Several coats may be applied to the surface to increase the quality of finish and give more protection to the timber.

GETTING TO KNOW YOUR PRODUCT



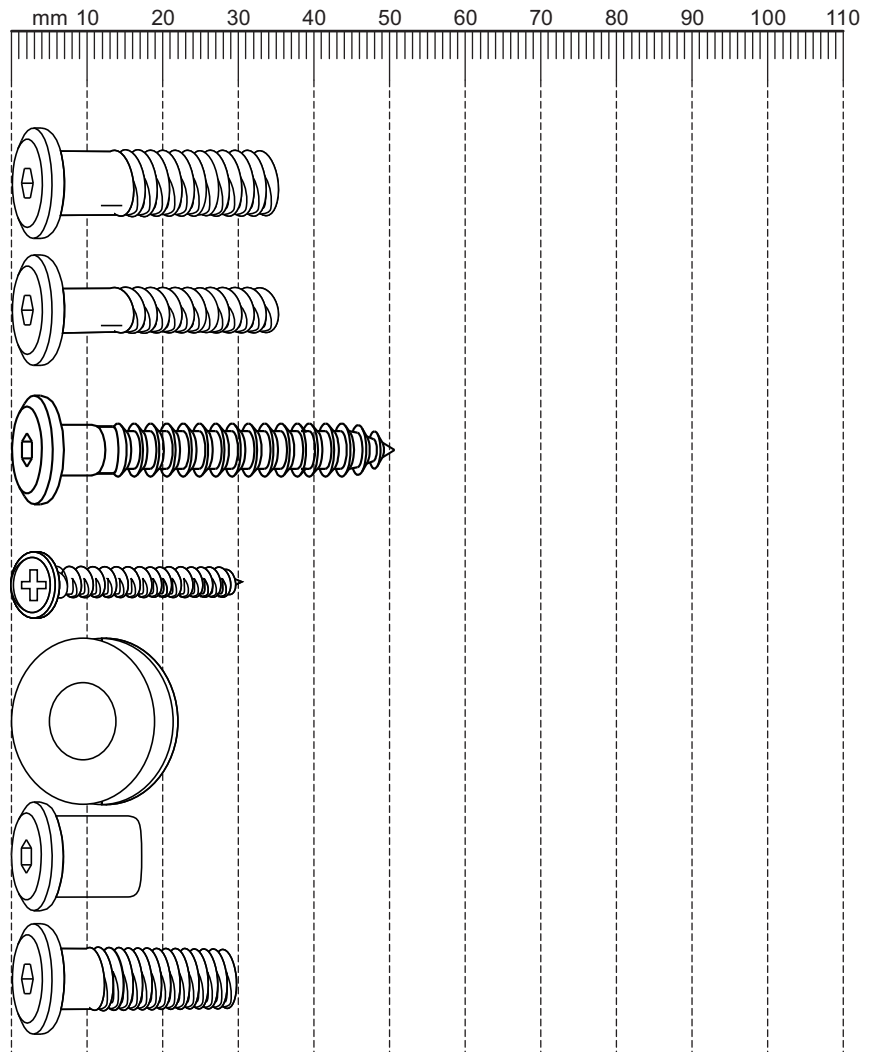
Components supplied. Please use this guide if you require replacement parts.

| Ref | Dimensions     | Visual | Qty | Ctn |
|-----|----------------|--------|-----|-----|
| 1   | 51.5 x 78 cm   |        | 1   | 1   |
| 2   | 6 x 53 cm      |        | 1   |     |
| 3   | 6 x 53 cm      |        | 1   |     |
| 4   | 4 x 18.5 cm    |        | 2   |     |
| 5   | 49.5 x 80.5 cm |        | 1   |     |
| 6   | 10 x 65 cm     |        | 1   |     |
| 7   | 10 x 65 cm     |        | 1   |     |
| 11  | 7 x 31.4 cm    |        | 1   |     |


| Ref | Dimensions   | Visual | Qty | Ctn |
|-----|--------------|--------|-----|-----|
| 8   | 5.5 x 44 cm  |        | 1   | 1   |
| 9   | 5.5 x 44 cm  |        | 1   |     |
| 10  | 4 x 45.9 cm  |        | 1   |     |
| 12  | 7 x 31.4 cm  |        | 1   |     |
| 13  | 49.5 x 69 cm |        | 1   |     |
| 14  | 5 x 54 cm    |        | 1   |     |

Fixtures and fittings supplied (actual size)






| Ref | Dimensions | Quantity |  |
|-----|------------|----------|--|
| U   | 8 x 35mm   | 12       |  |
| K   | 6 x 35mm   | 2        |  |
| V   | 7 x 50mm   | 4        |  |
| G   | 4 x 30mm   | 8        |  |
| W   | 8 x 22mm   | 16       |  |
| X   | 8 x 15mm   | 16       |  |
| D   | 8 x 30mm   | 4        |  |

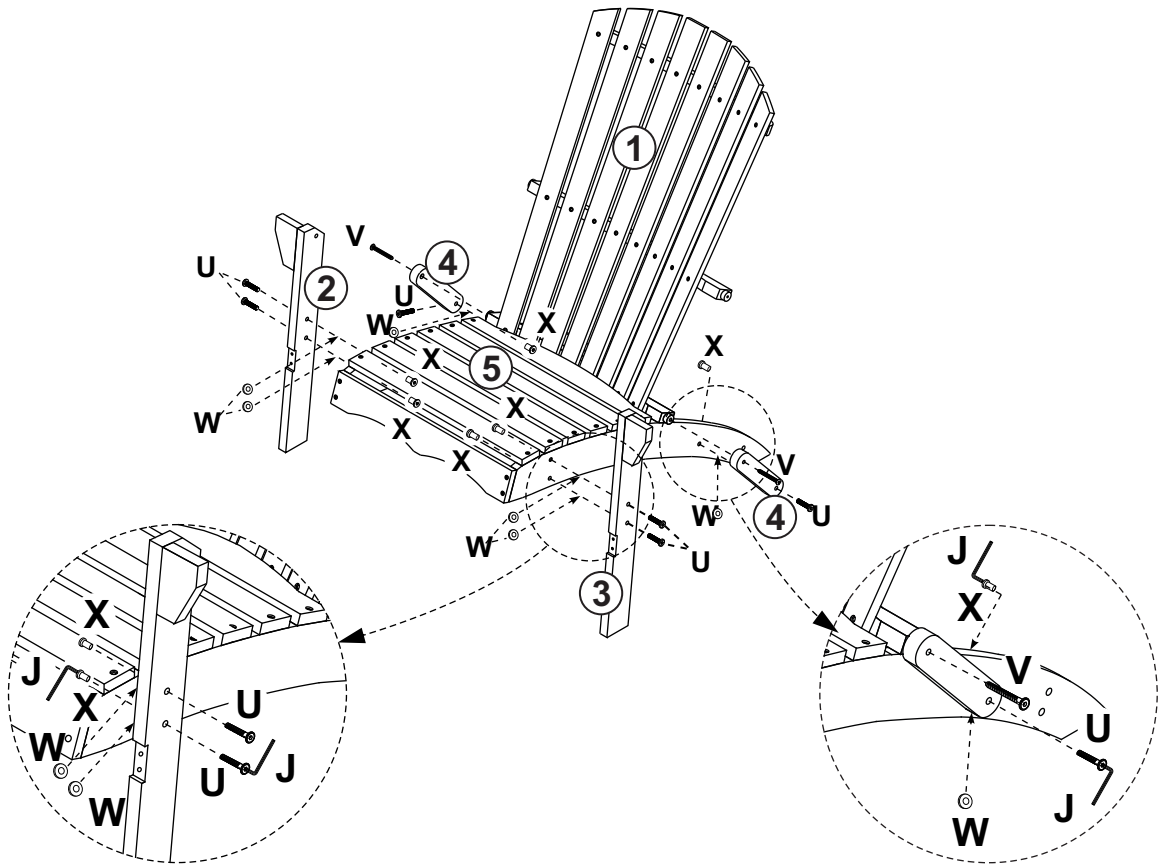


Fixtures and fittings supplied (not to scale)


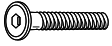




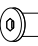
| Ref | Dimensions | Visual  | Qty |
|-----|------------|---|-----|
| J   | N/A        |  | 2   |

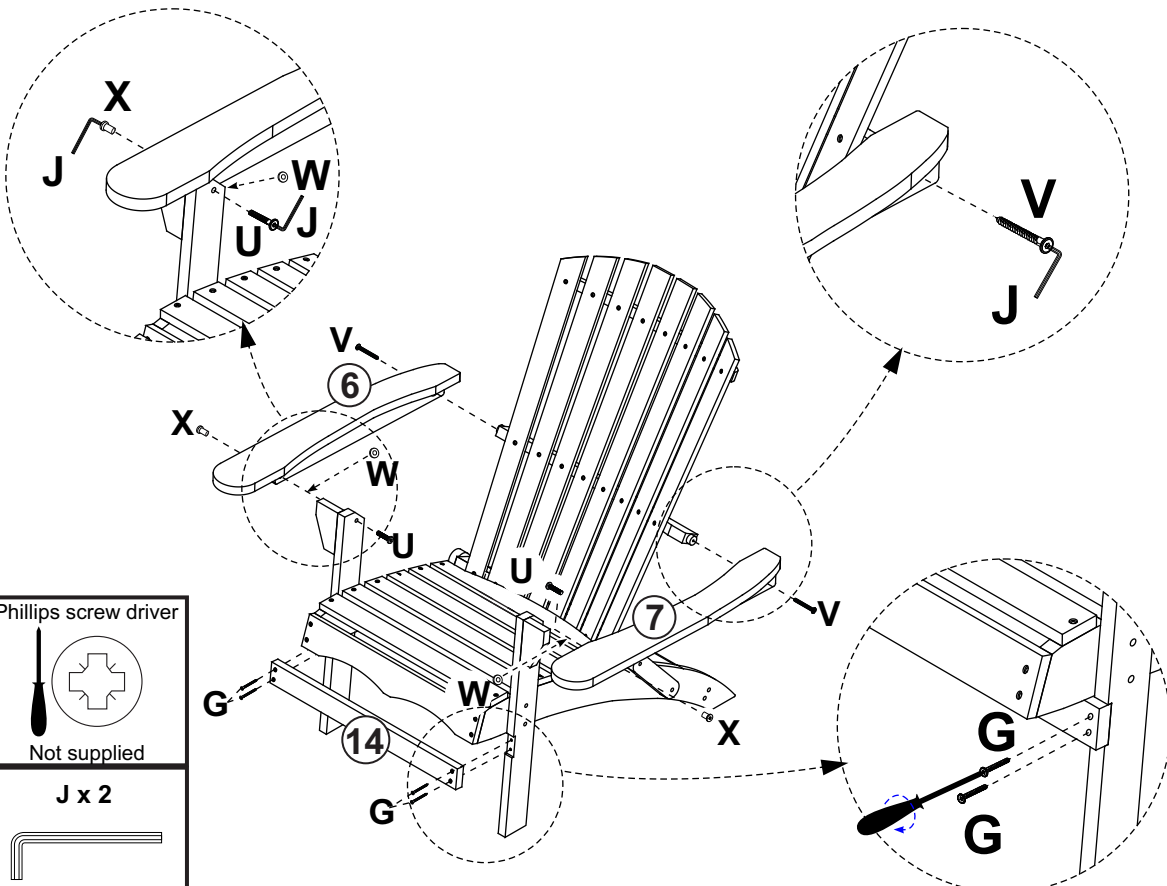
1

|   |
|---|
| U x 6   |
|    |
| 8 x 35 mm   |
| V x 2   |
|    |
| 7 x 50 mm   |
| W x 6   |
|    |
| 8 x 22 mm   |
| X x 6   |
|    |
| 8 x 15 mm   |
| J x 2   |
|  |
| 4 mm  |


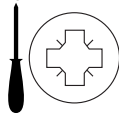



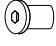



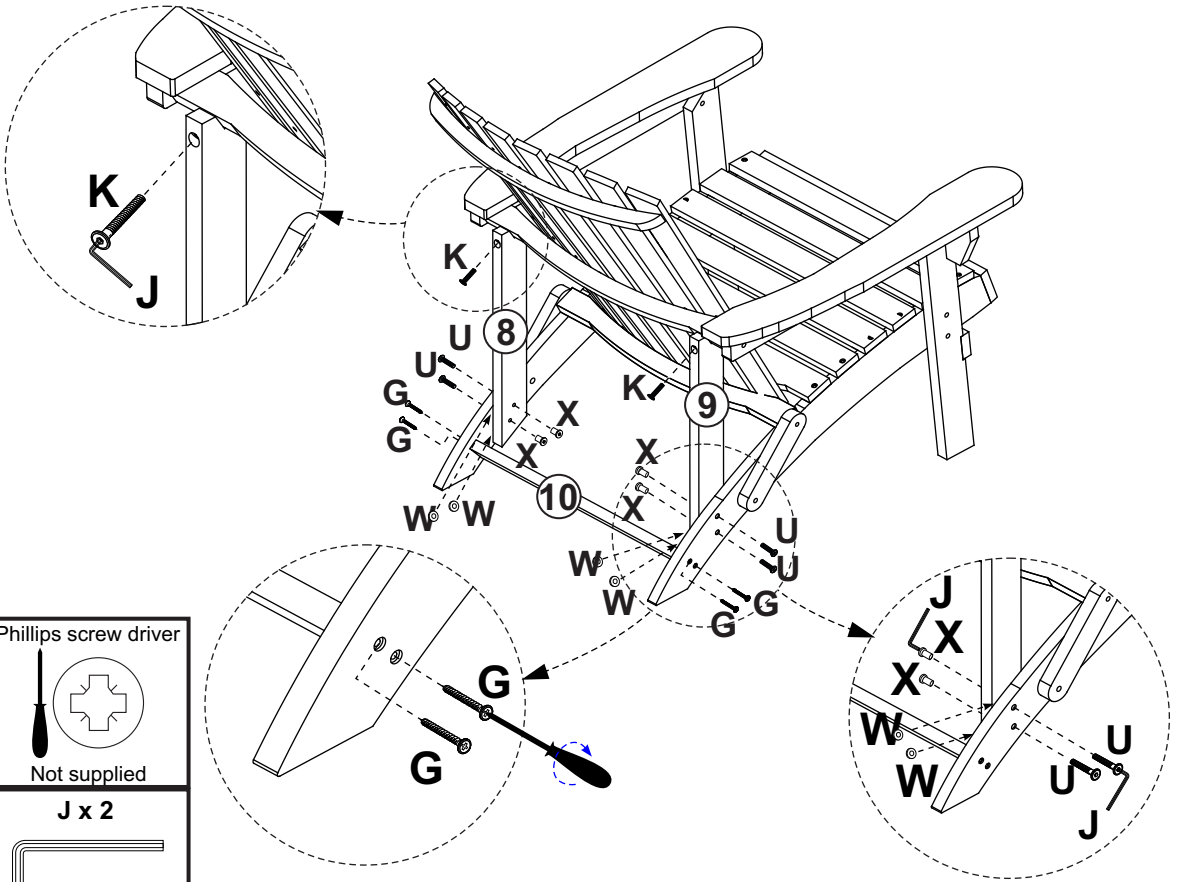
2

|   |  |
|---|--|
| U x 2   | <br>Not supplied  |
|  |  |
| 8 x 35 mm   | J x 2<br><br>4 mm |
| V x 2   |  |
|  |  |
| 7 x 50 mm   |  |
| G x 4   |  |
|  |  |
| 4 x 30 mm   |  |
| W x 2   |  |
|  |  |
| 8 x 22 mm   |  |
| X x 2   |  |
|  |  |
| 8 x 15 mm   |  |



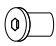



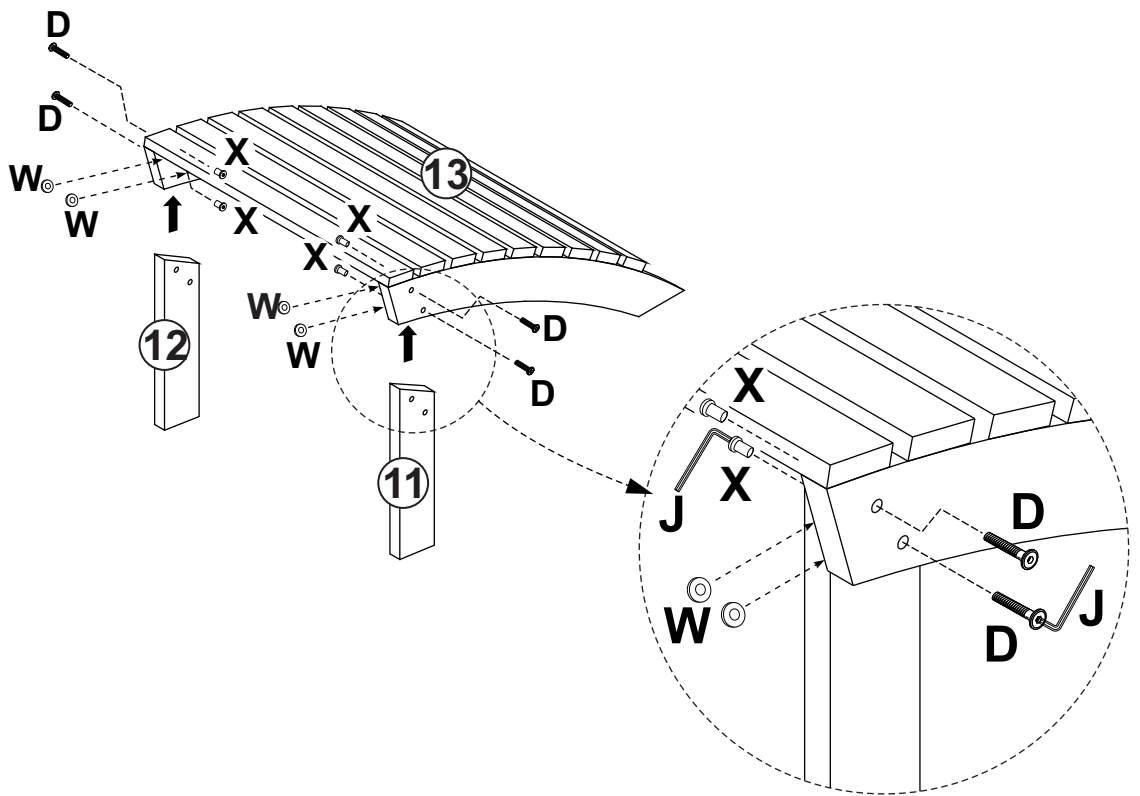
3

|  |  |
|--|--|
| <p><b>U x 4</b></p>  <p>8 x 35 mm</p>   | <p>Phillips screw driver</p>  <p>Not supplied</p> |
| <p><b>K x 2</b></p>  <p>6 x 35 mm</p>   |  |
| <p><b>G x 4</b></p>  <p>4 x 30 mm</p>   |  |
| <p><b>W x 4</b></p>  <p>8 x 22 mm</p>   |  |
| <p><b>X x 4</b></p>  <p>8 x 15 mm</p> |  |
|  | <p><b>J x 2</b></p>  <p>4 mm</p>                |

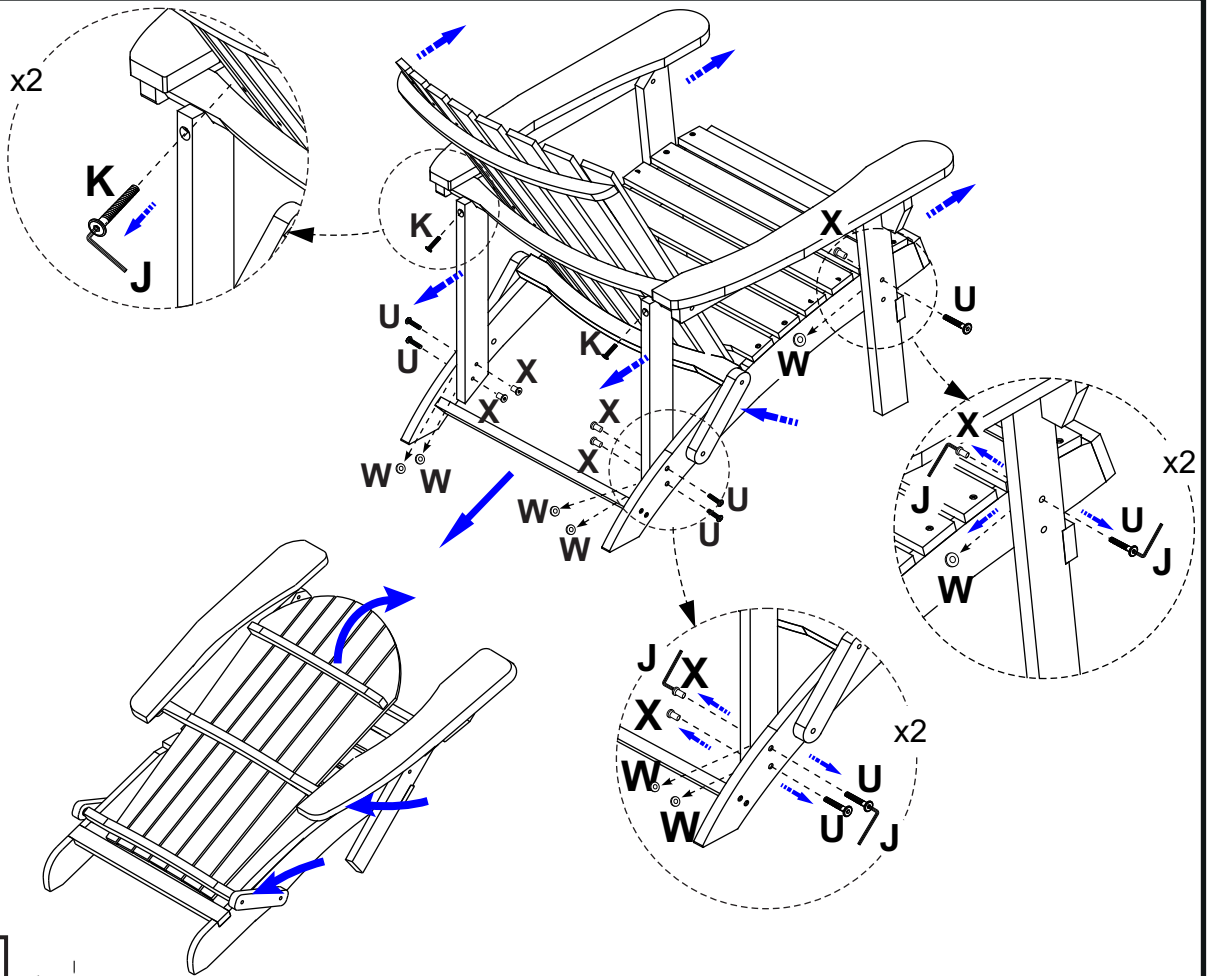


4

|  |
|--|
| <p><b>D x 4</b></p>  <p>8 x 30 mm</p> |
| <p><b>W x 4</b></p>  <p>8 x 22 mm</p> |
| <p><b>X x 4</b></p>  <p>8 x 15 mm</p> |
| <p><b>J x 2</b></p>  <p>4 mm</p>      |



5



J x 2

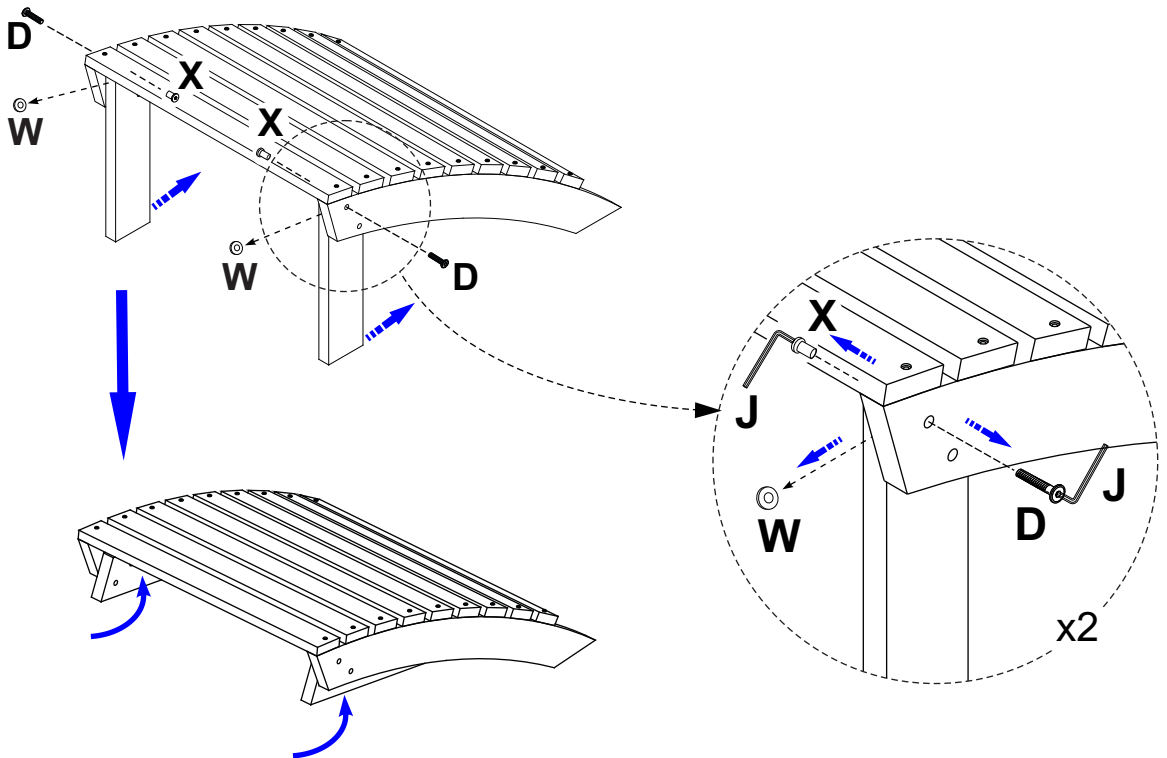


4 mm



Note: Keep the removed parts and hardwares for future use.

6



J x 2



4 mm