

next

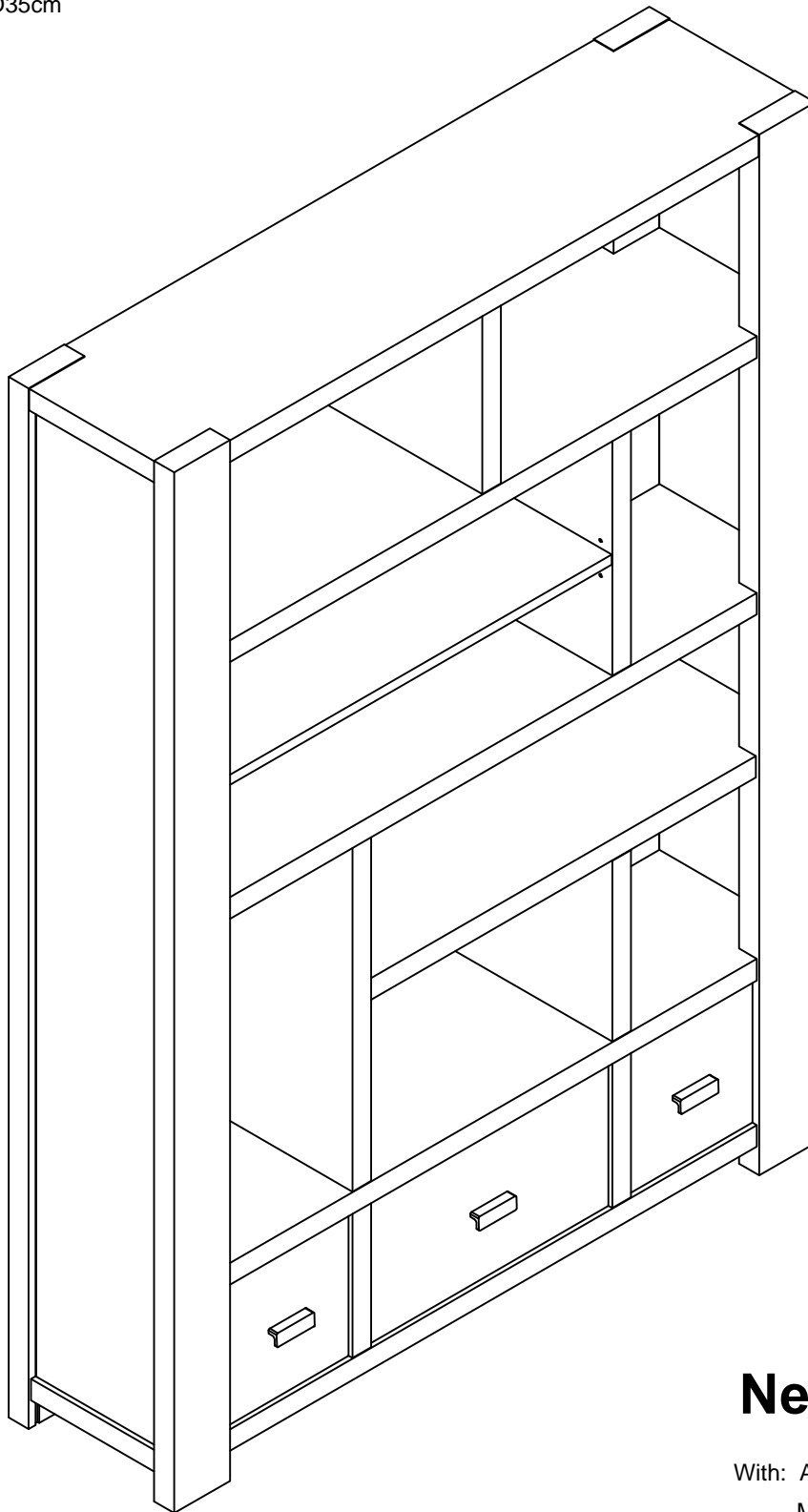
CORSICA ROOM DIVIDER

128194

Assembly instructions

Actual product size

H191 x W136x D35cm



Need Help ?

With: Assembly instruction

Missing or damaged parts

IMPORTANT - RETAIN FOR FUTURE REFERENCE

CALL: 0333 777 8999

BEFORE YOU START

Warnings

Important: Retain these instructions for future reference.

Unwrap all packaging materials and place the components on top of the carton box or on a clean floor to prevent it from scratching.

This product should only be used on firm, level ground.

Keep small parts out of reach of children.

Do's

We suggest you spend a short time reading through this leaflet before you start.

When you are ready to start, make sure that you have the right tools, plenty of space and a clean, dry area for assembly.

Check the pack and make sure you have all the parts listed.

During assembly children should be kept away from the product due to possible risk of injury.

Tools not included.

Due to the size of this product we recommend that it is assembled in the room intended for use.

Ensure that this product is fully assembled as illustrated before use.

Make sure the legs remain in contact with the ground.

Check all screws or bolts are tightened and inspect regularly.

To clean wipe with a sponge and warm soapy water. Do not use solvent based cleaners or detergents as they can bleach or damage the product.

Dont's

Do not use power tools to construct this product.

Do not tighten screws until fully assembled.

Do not overtighten screws or bolts.

Do not sit or stand on the product.

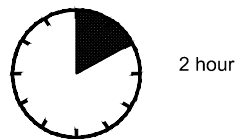
Do not use this product if parts are missing, damaged or worn.

Never use scourers, abrasives or chemical cleaners.

Number of people required to assemble

Two person to assemble the unit and two person to lift the unit into position.

Time to assemble



2 hour



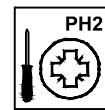
Tips

Look out for the symbol throughout this manual. Wherever you see it we will have a handy tip to help you with the assembly of your product.

Tools required



not supplied



not supplied

Missing parts

If you are missing any fixtuers and fittings for you product please contact our customer service team on **0844 844 8999** and they will be happy to arrange for a replacement to be sent to you free of charge.

Home service technicians

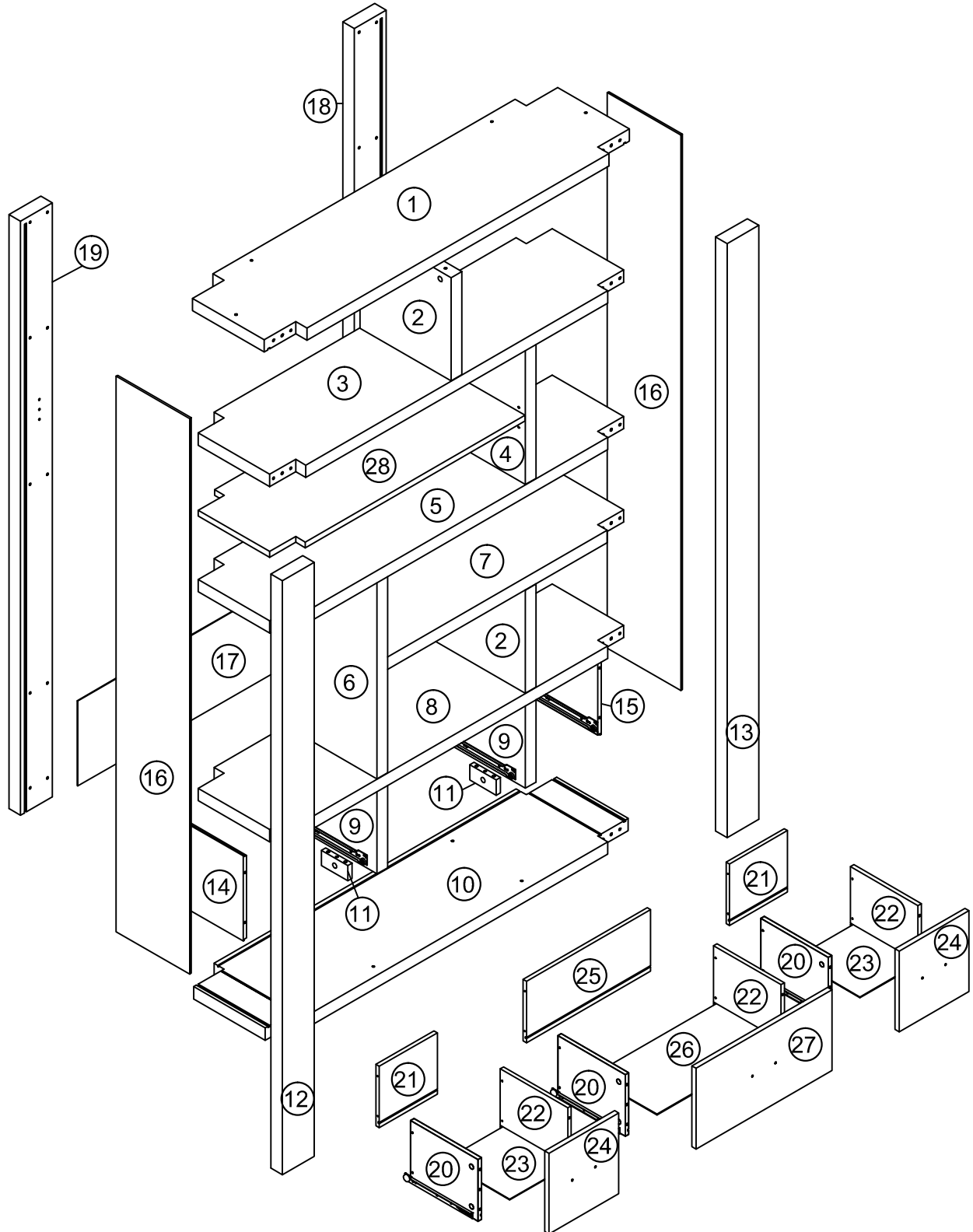
If you have a fault with your product please contact our customer service team on **0844 844 8999**. If you have had the product for 28 days or less you may be offered a replacement, refund or for a fully trained home service technician to visit your home to assess the fault and repair the product where possible. If you have had the product for more than 28 days we will send an independant home service technician to review and repair the product where possible and recommend further action.

You can write to us at

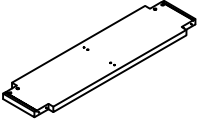
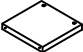
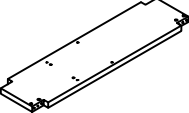

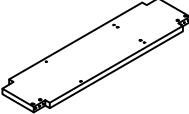


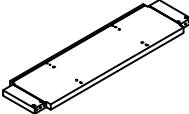

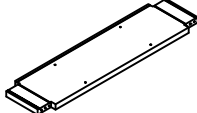

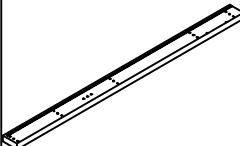
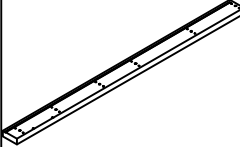
Next Retail Ltd,
Desford Road,
Leicester,
Le19 4AT



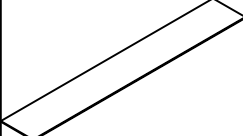

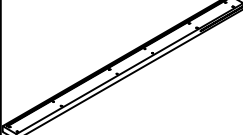
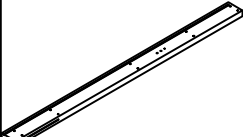




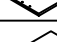

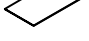

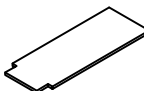
To view our full furniture range please visit www.next.co.uk

GETTING TO KNOW YOUR PRODUCT



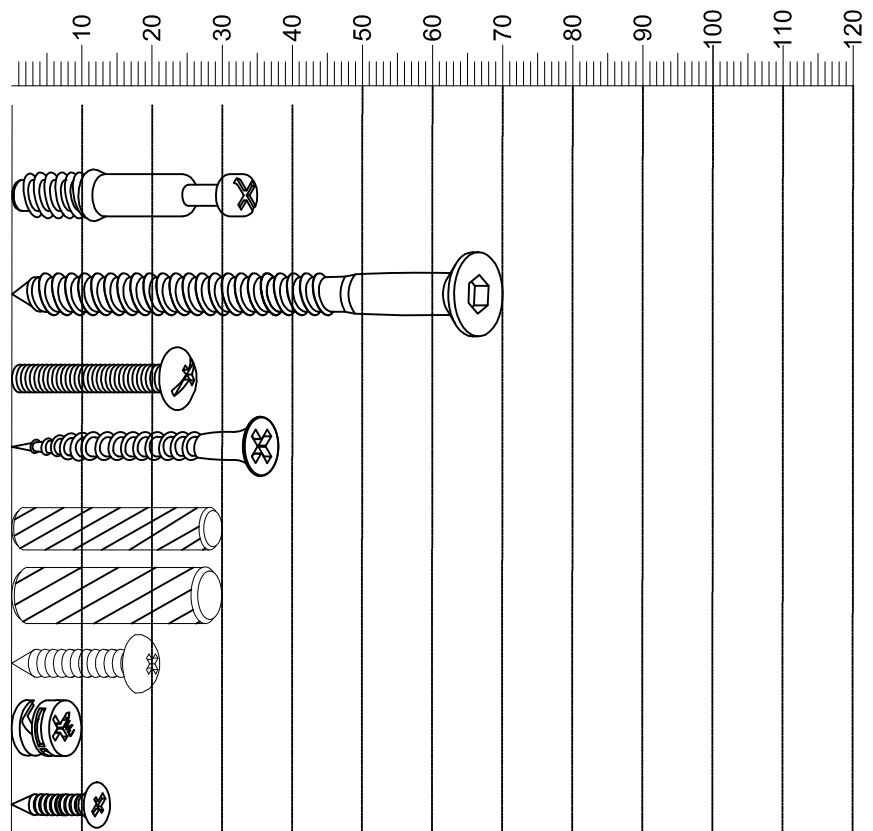
Components supplied. Please use this guide if you require replacement parts.

Ref	Dimensions	Visual	Qty	Ctn
34.4	135.3mm		1	2
34.2	135.3mm		2	1
34	331mm		1	3
33.8	443mm		1	3
34.5	135.3mm		1	3
33.8	63mm		1	3
33.6	71mm		1	1
34	331mm		1	3
26.5	32.2mm		2	1
34	104.5mm		1	2
4.9	1mm		2	1
11.2	190.6mm		1	2
11.3	190.6mm		1	2

Ref	Dimensions	Visual	Qty	Ctn
26.5	27.3mm		1	1
26.5	27.3mm		1	1
27.4	178.2mm		2	2
27.7	112.6mm		1	3
11.8	190.6mm		1	2
11.9	190.6mm		1	2
19.8	25mm		3	1
19.7	21.5mm		2	1
19.8	22mm		3	1
22.2	24.4mm		2	1
25.2	25.9mm		2	1
19.7	25mm		1	1
24.2	46.7mm		1	1
25.2	50.4mm		1	1
33.6	281mm		1	1

Fixtures and fittings supplied (actual size)

Ref	Dimensions	Qty	Spare Qty
B7	Ø7.5 x 35mm	50	2
Y14	Ø6 x 70mm	34	2
Z14	Ø4 x 21mm	6	N/A
U157	Ø4 x 38mm	12	2
D3	Ø6 x 30mm	10	2
D6	Ø8 x 30mm	29	2
S41	Ø4 x 16mm	2	N/A
B1	Ø15 x 10mm	50	2
U39	Ø3 x 14mm	6	1



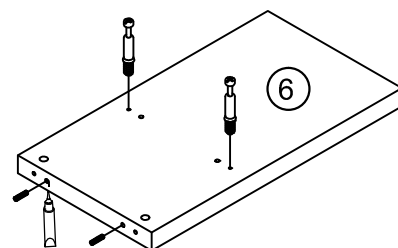
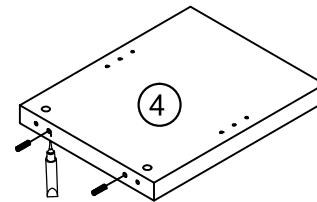
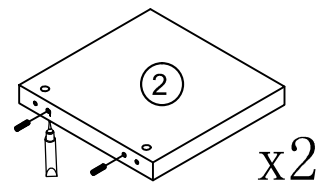
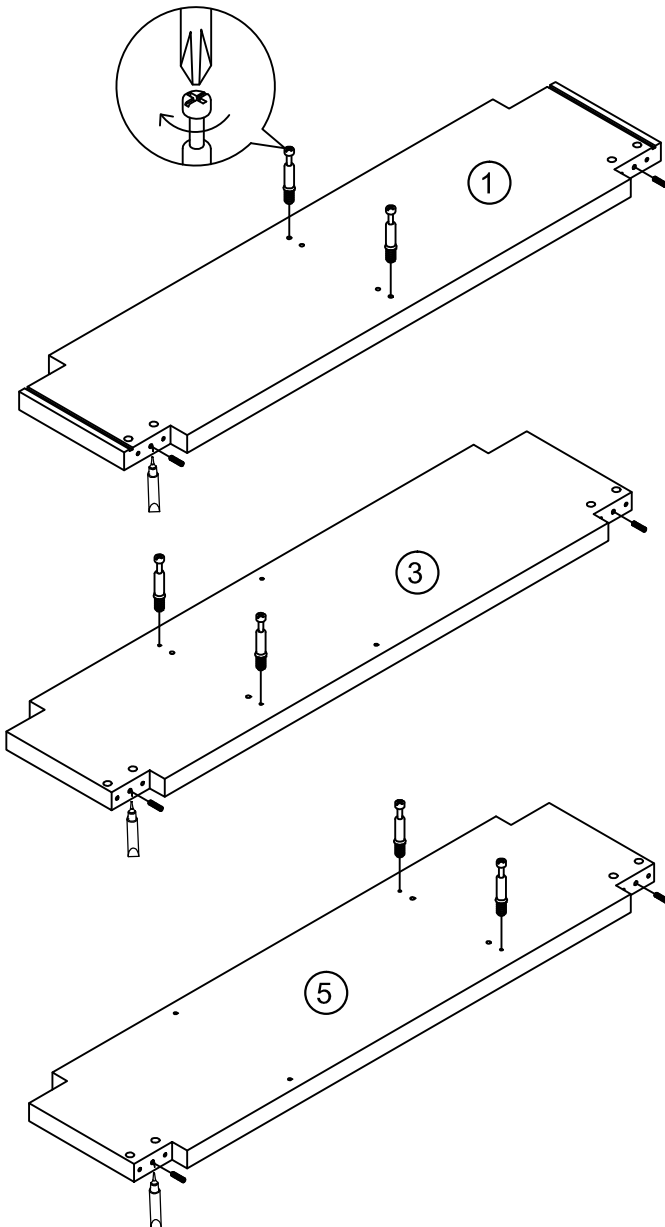
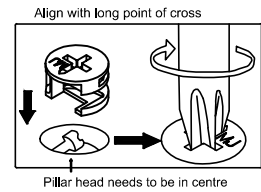
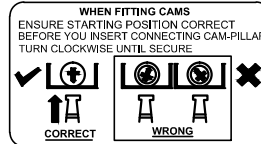
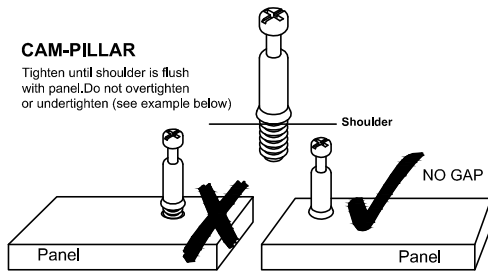
Fixtures and fittings supplied (not to scale)

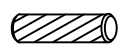
Ref	Dimensions	Qty	Spare Qty	Visual
D14	N/A	3	N/A	
E30	N/A	3	N/A	
P20	N/A	4	1	
N1	N/A	2	N/A	
T1	N/A	2	N/A	
O1	N/A	40	2	
T38	N/A	6	1	

1

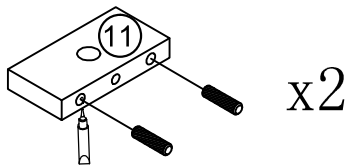
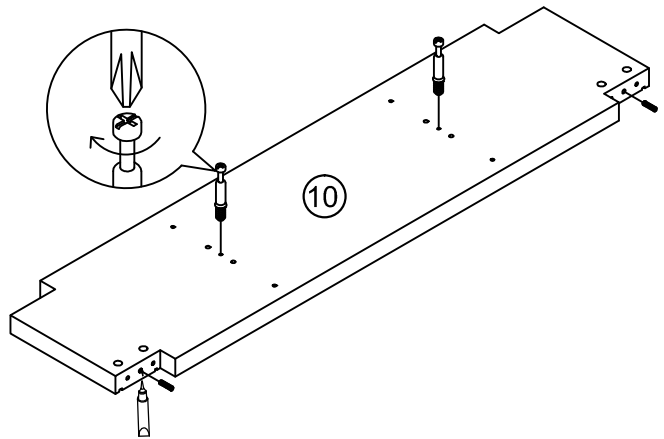
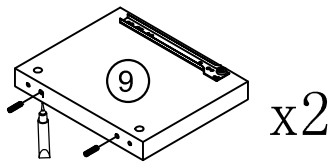
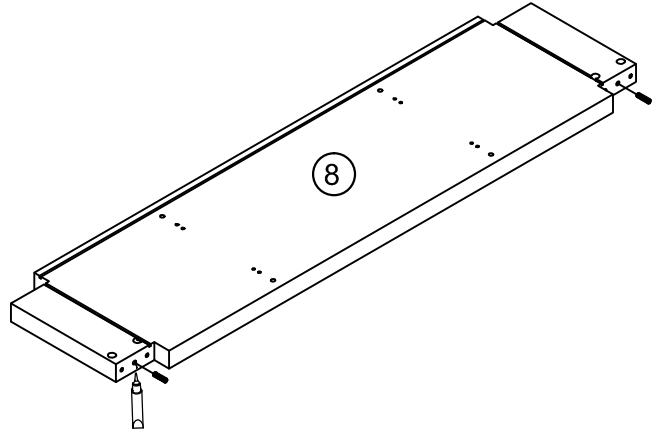
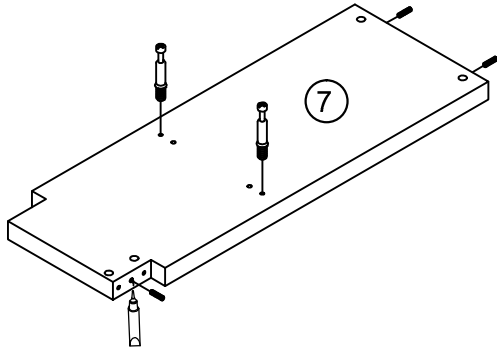
CAM-PILLAR



Tighten until shoulder is flush with panel. Do not overtighten or undertighten (see example below)



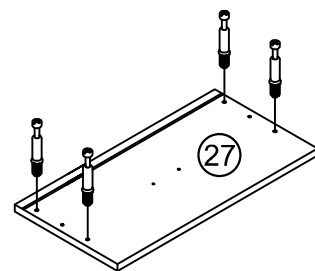
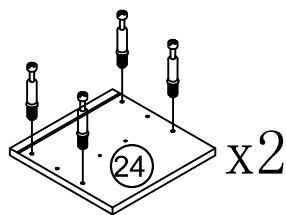
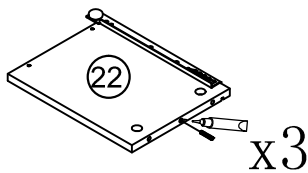
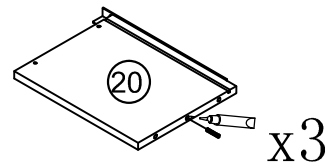
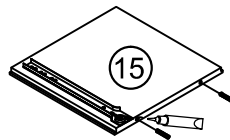
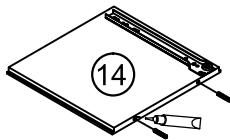
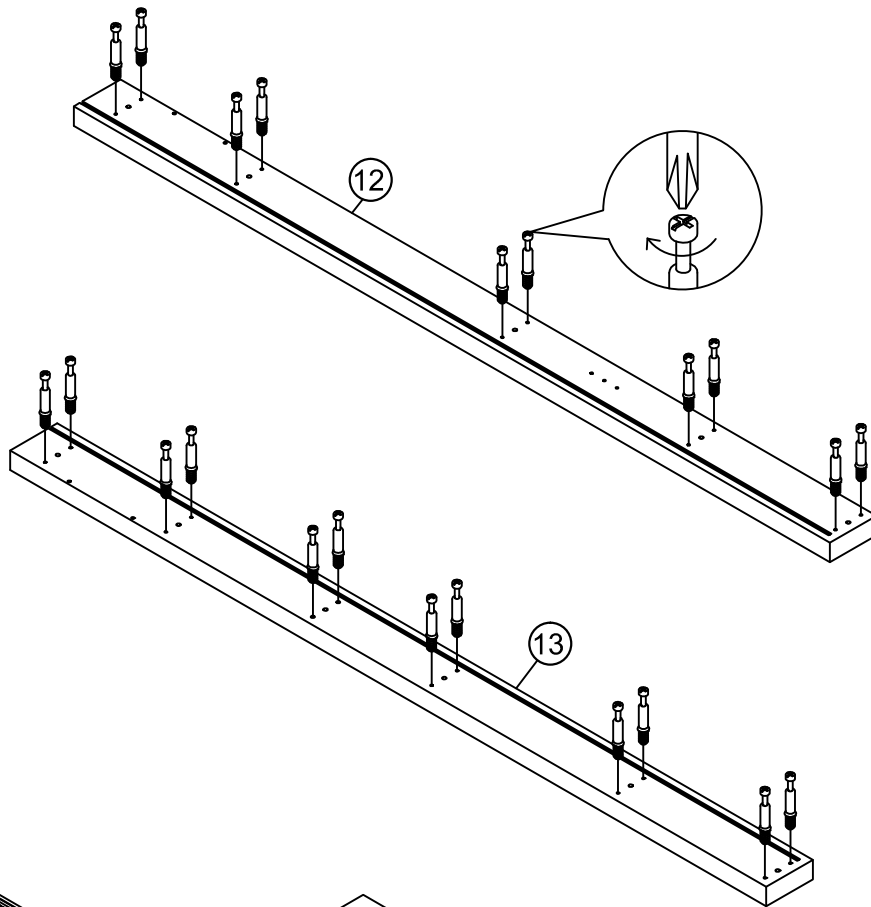
B7	Ø7.5 x 35mm	8	
D6	Ø8 x 30mm	14	


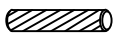
2



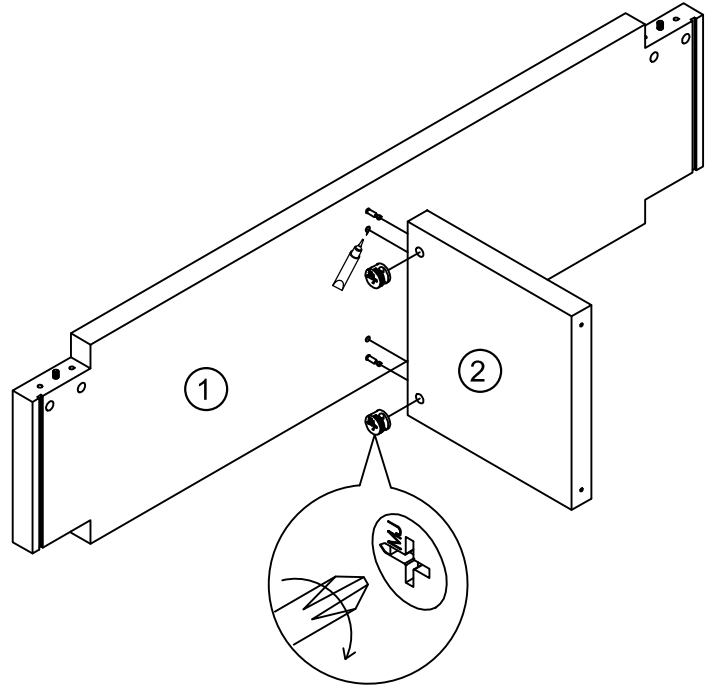
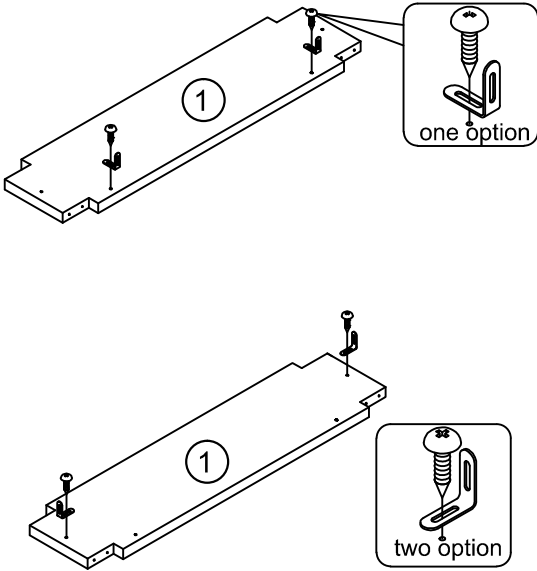
B7	Ø7.5 x 35mm	4	
D6	Ø8 x 30mm	15	

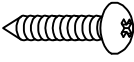
3




B7	Ø7.5 x 35mm	34	
D3	Ø6 x30 mm	10	

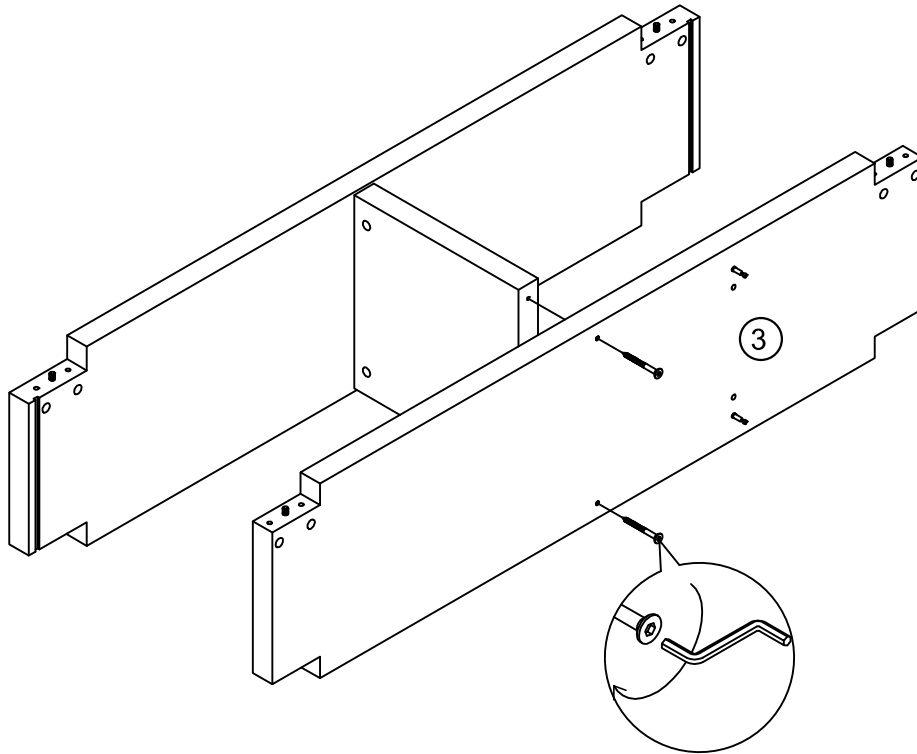
4




N1	N/A	2	
S41	Ø4 x 16mm	2	

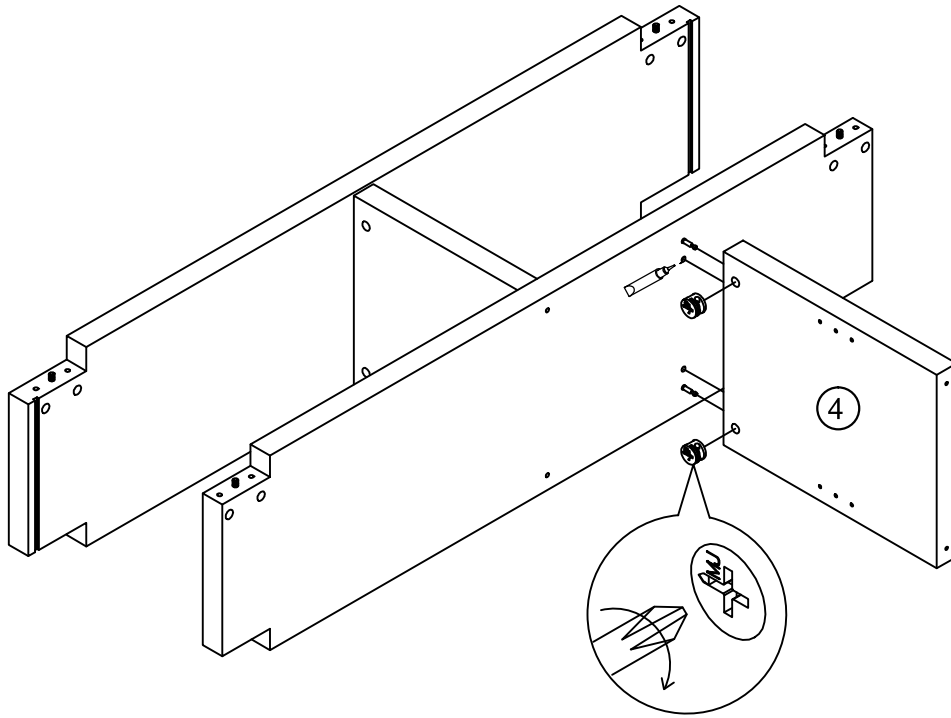
B1	Ø15 x 10mm	2	
----	------------	---	---

5



Y14	Ø6 x 70mm	2	
-----	-----------	---	---

6



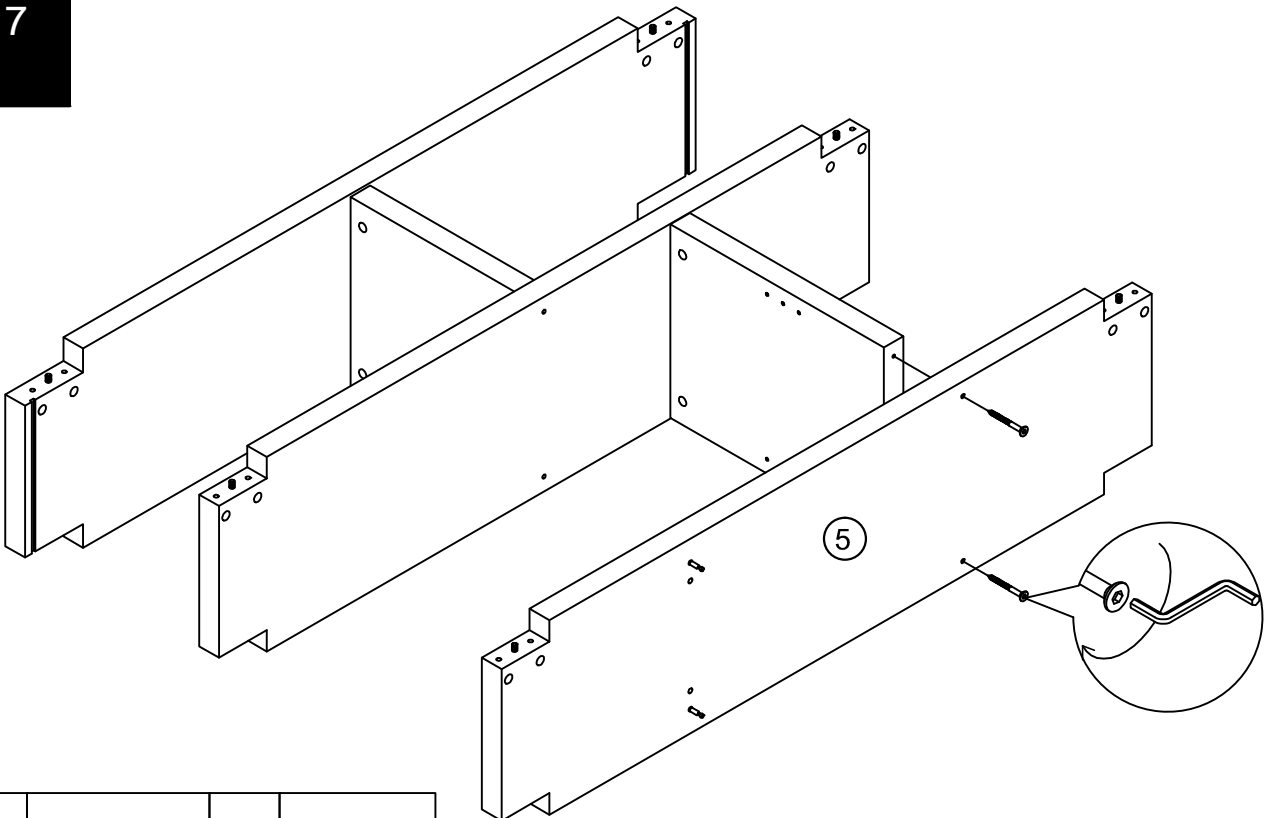
B1

Ø15 x 10mm

2



7



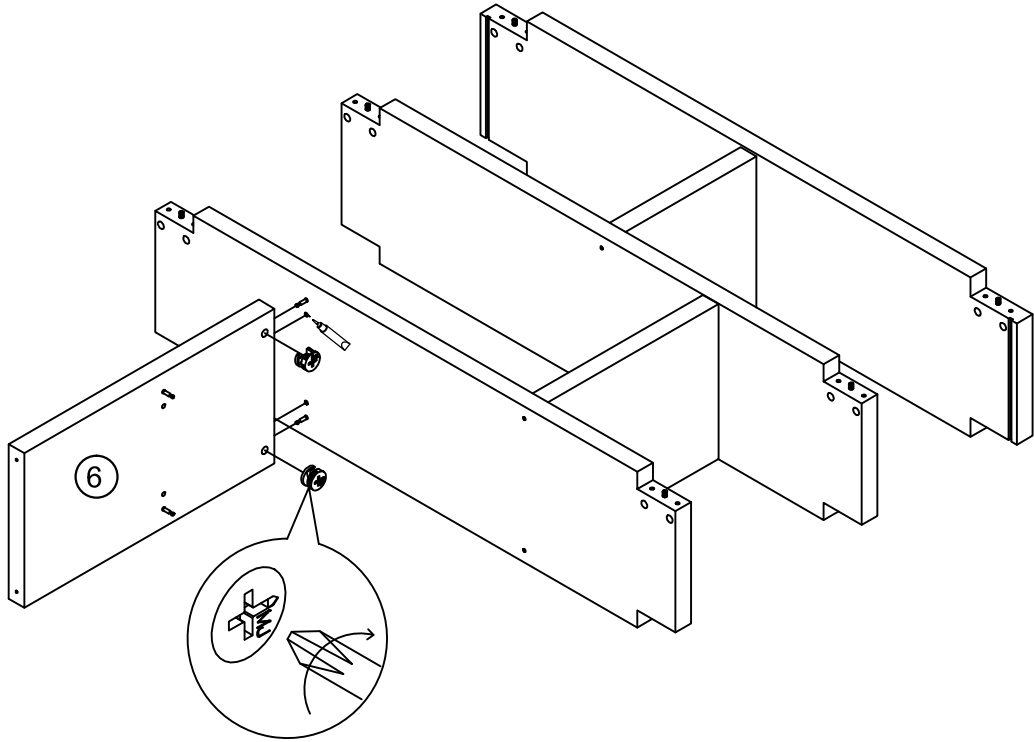
Y14

Ø6 x 70mm

2



8



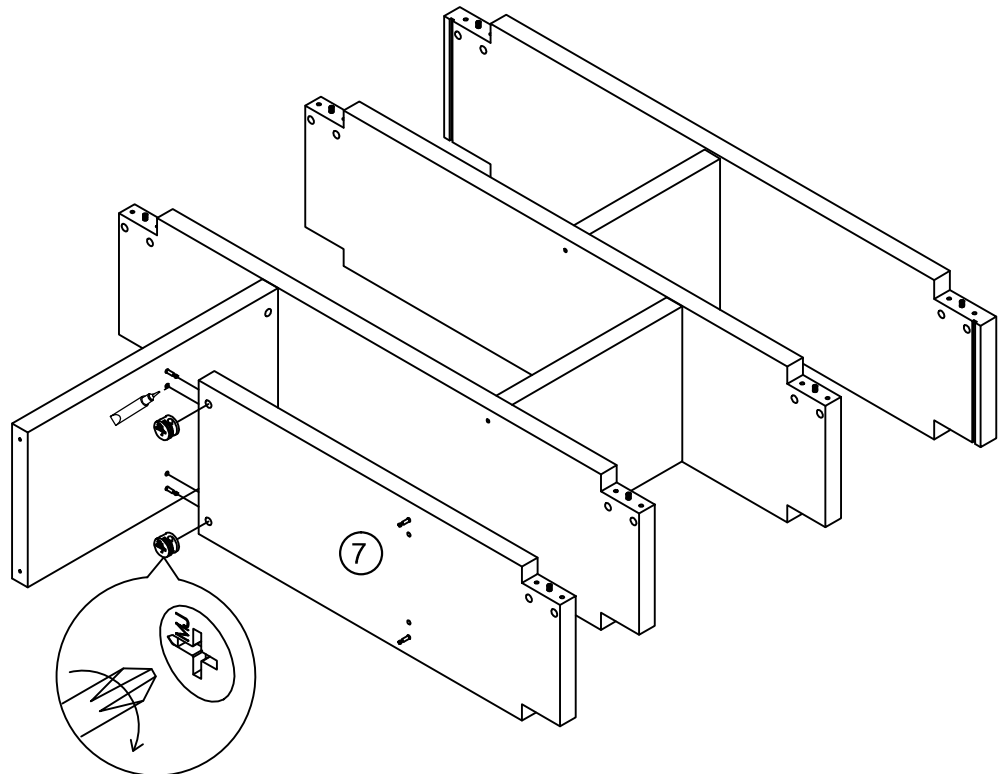
B1

Ø15 x 10mm

2



9



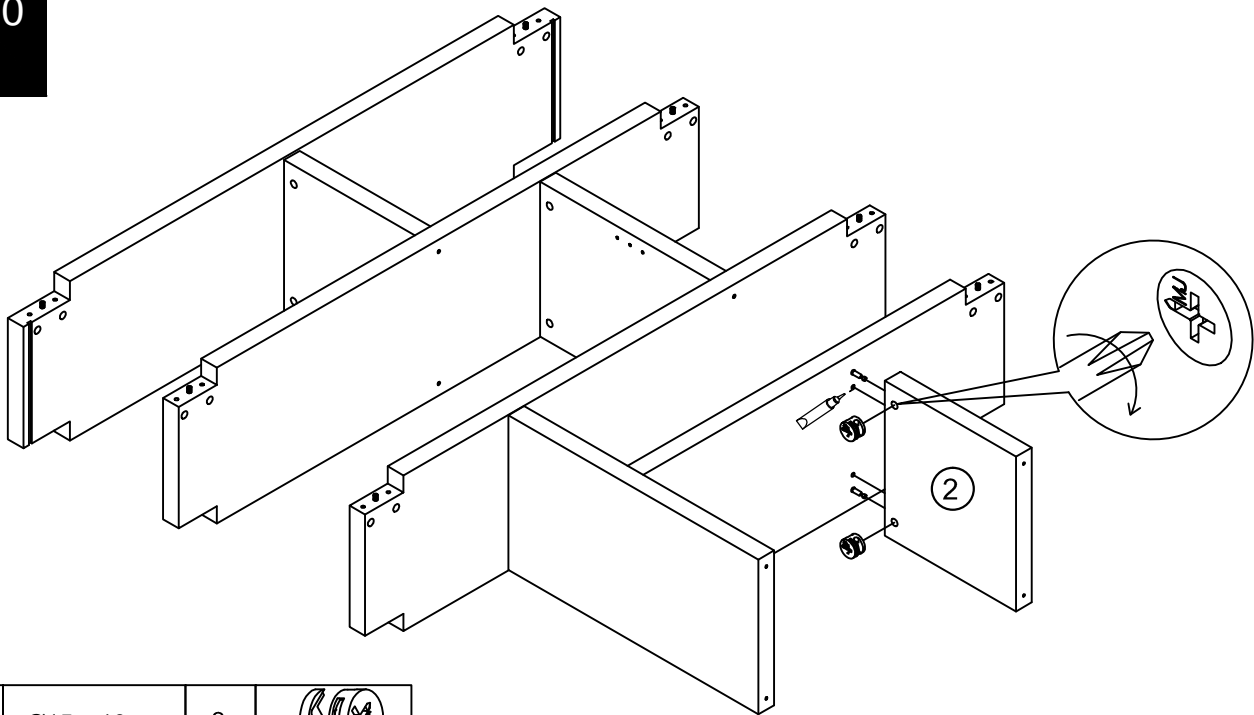
B1


Ø15 x 10mm

2

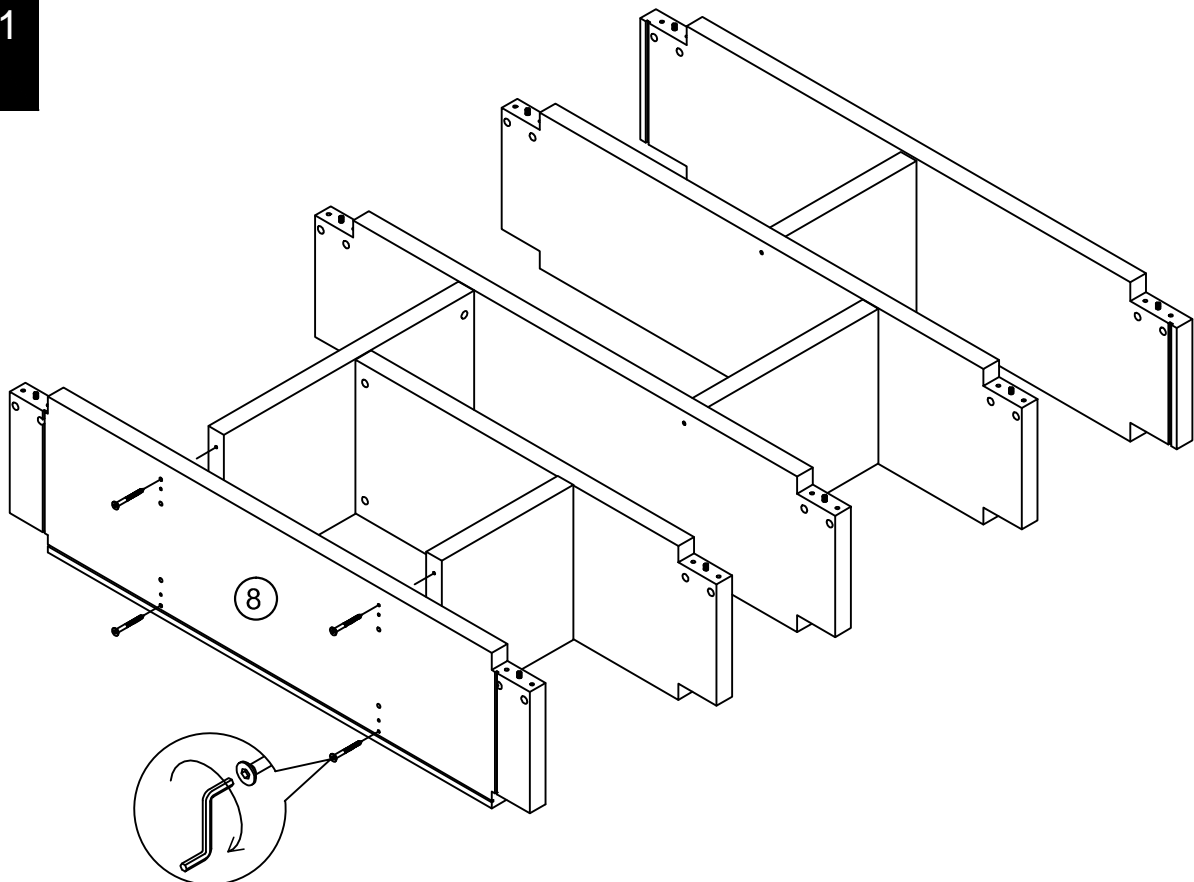



10



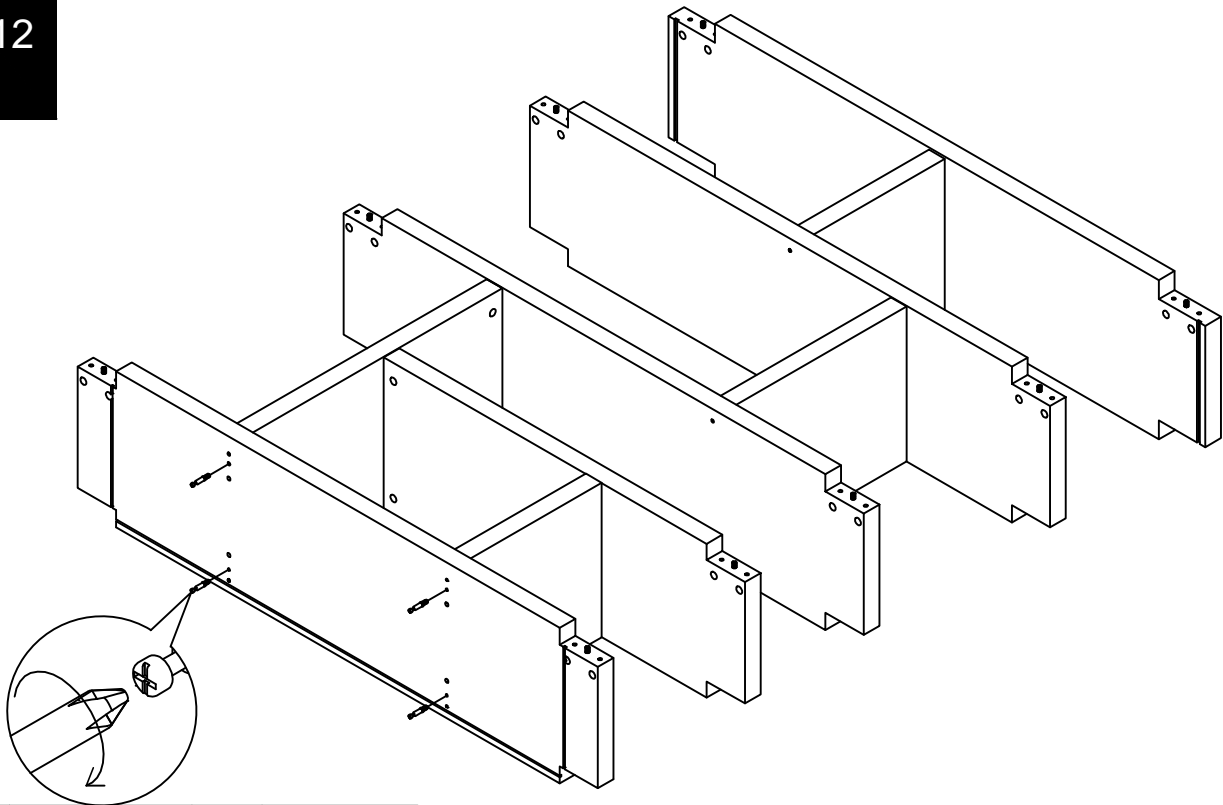
B1	Ø15 x 10mm	2	
----	------------	---	---


11



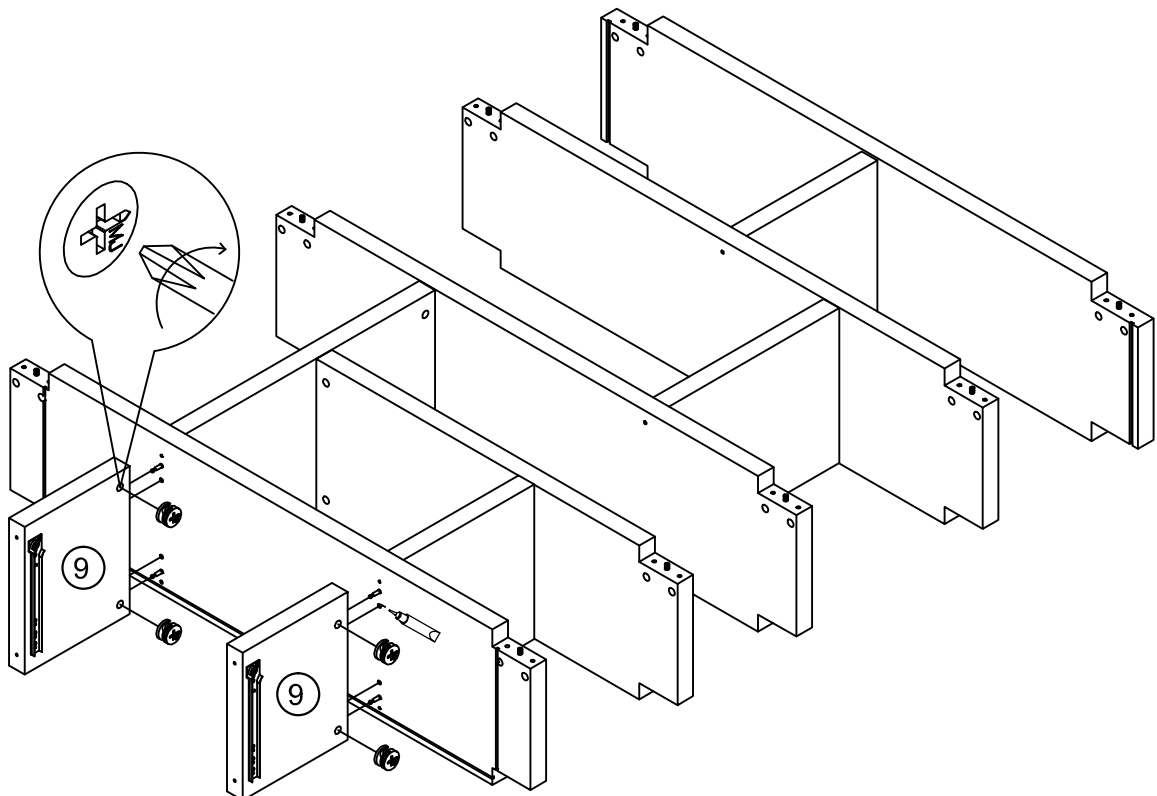
Y14	Ø6 x 70mm	4	
-----	-----------	---	---


12



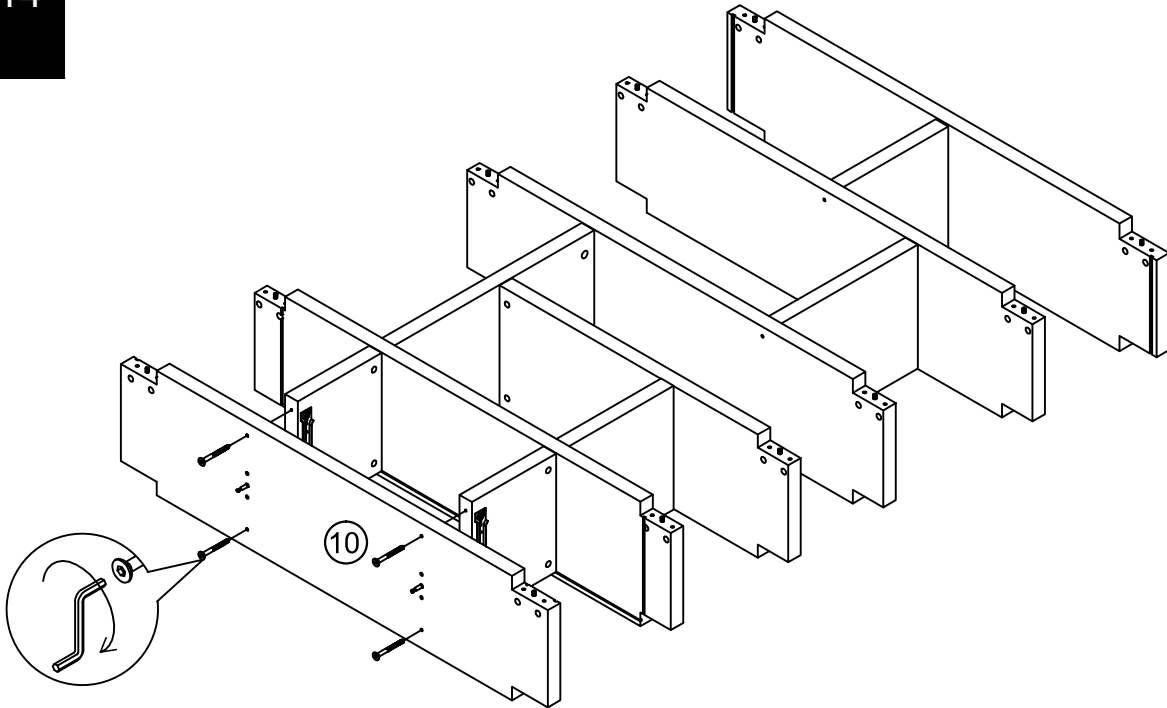
B7	Ø7.5 x 35mm	4	
----	-------------	---	---


13



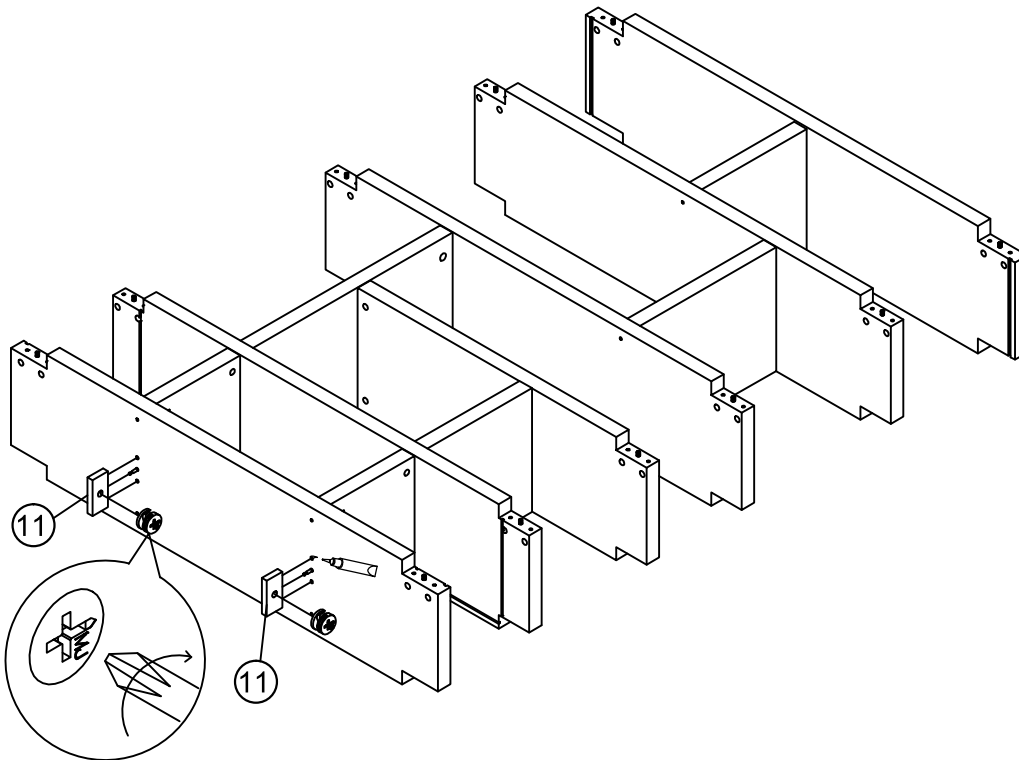
B1	Ø15 x 10mm	4	
----	------------	---	---


14



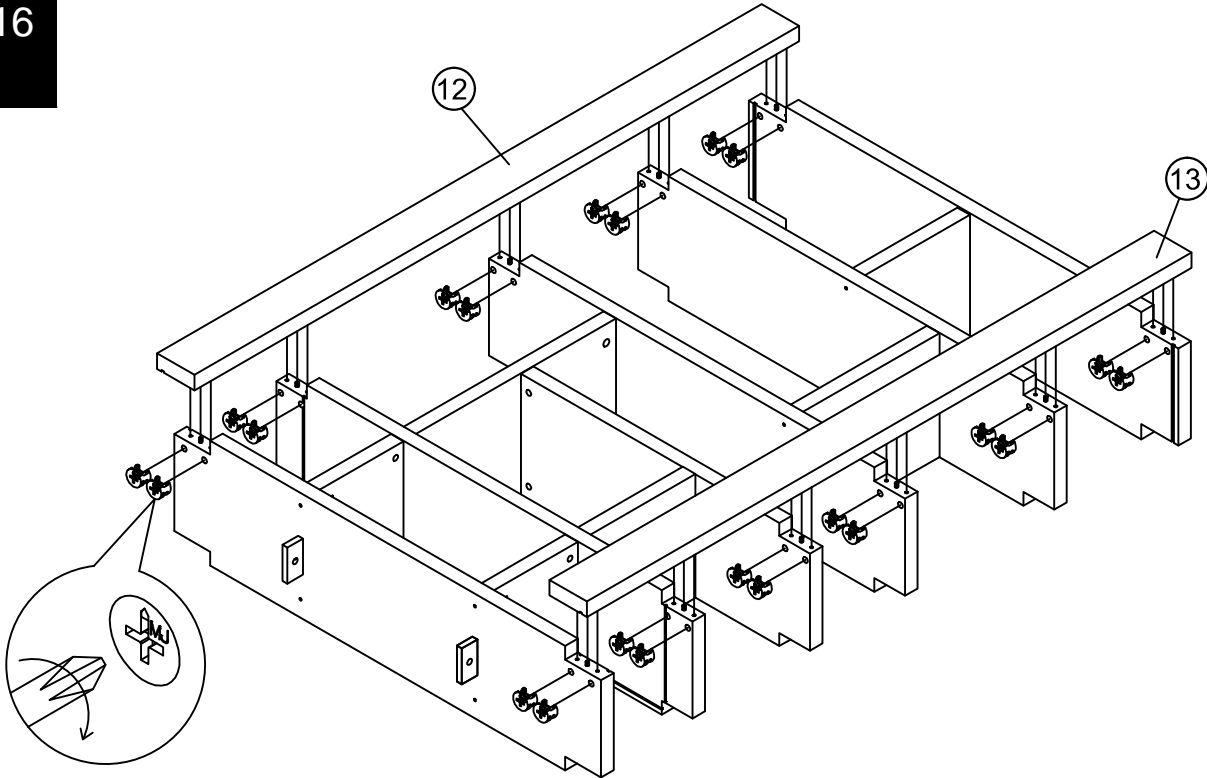
Y14	Ø6 x 70mm	4	
-----	-----------	---	---


15



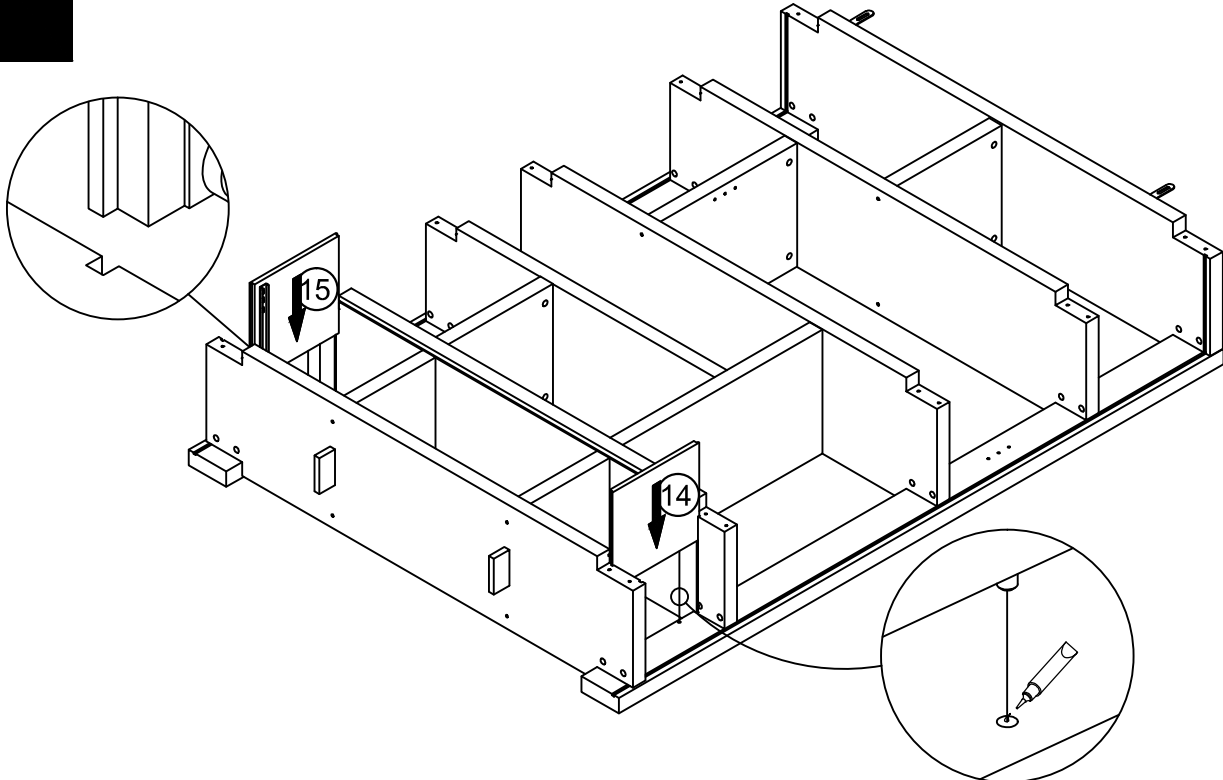
B1	Ø15 x 10mm	2	
----	------------	---	---

16

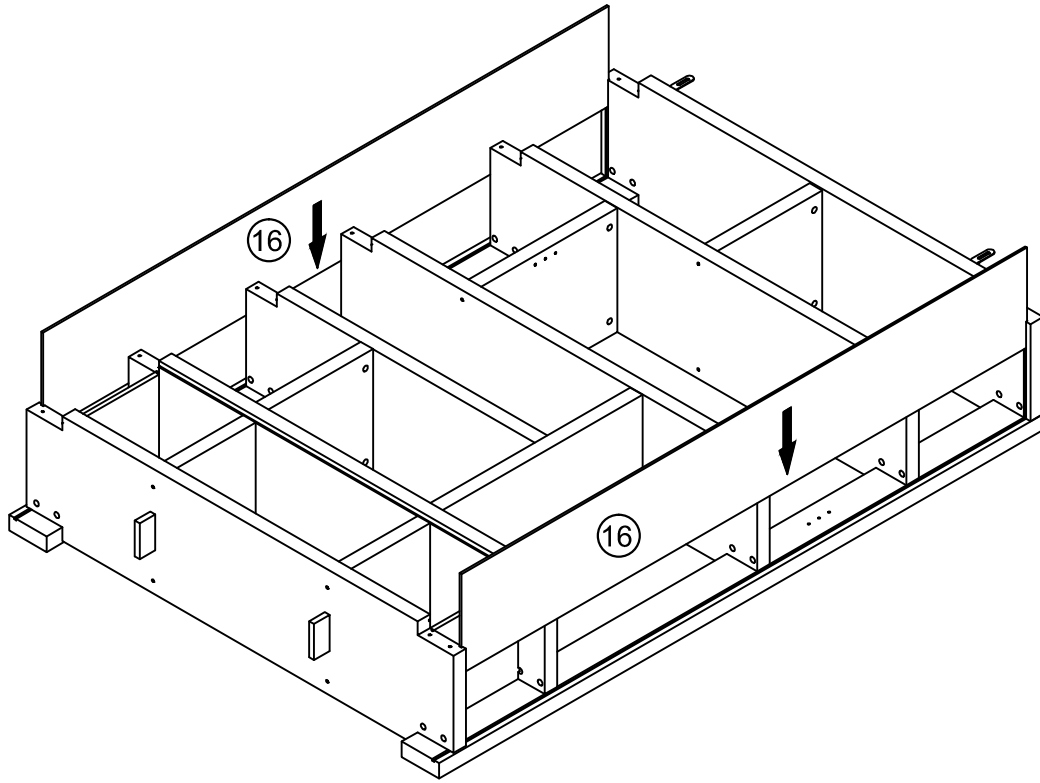


B1	Ø15 x 10mm	22	
----	------------	----	---

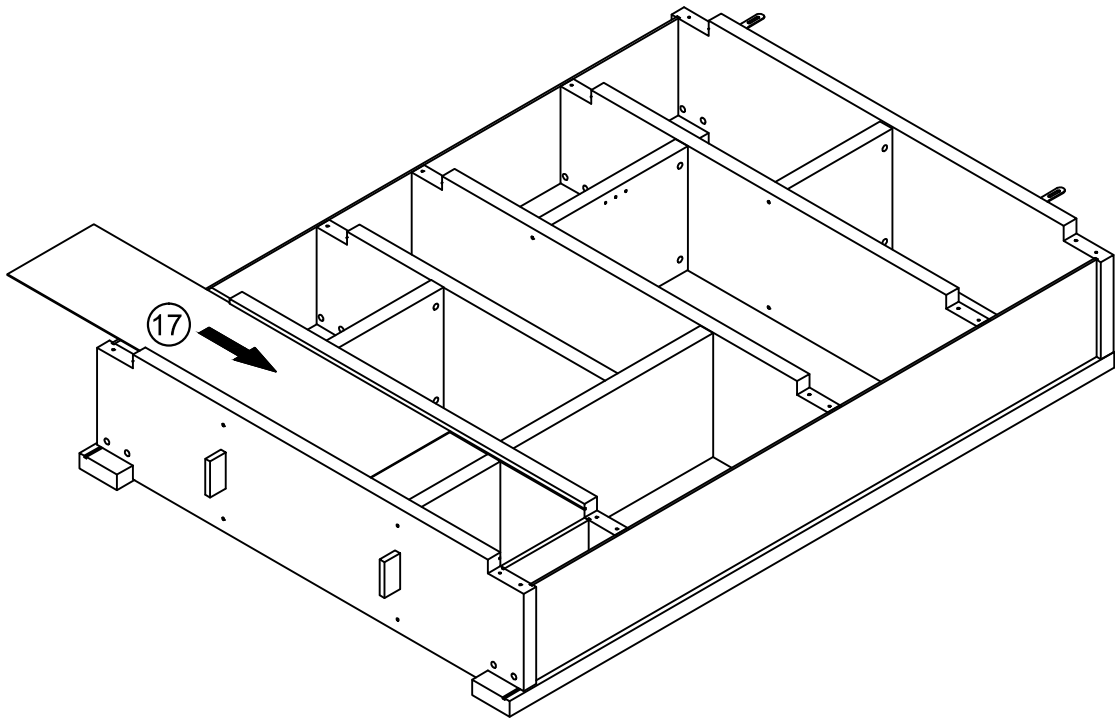
17



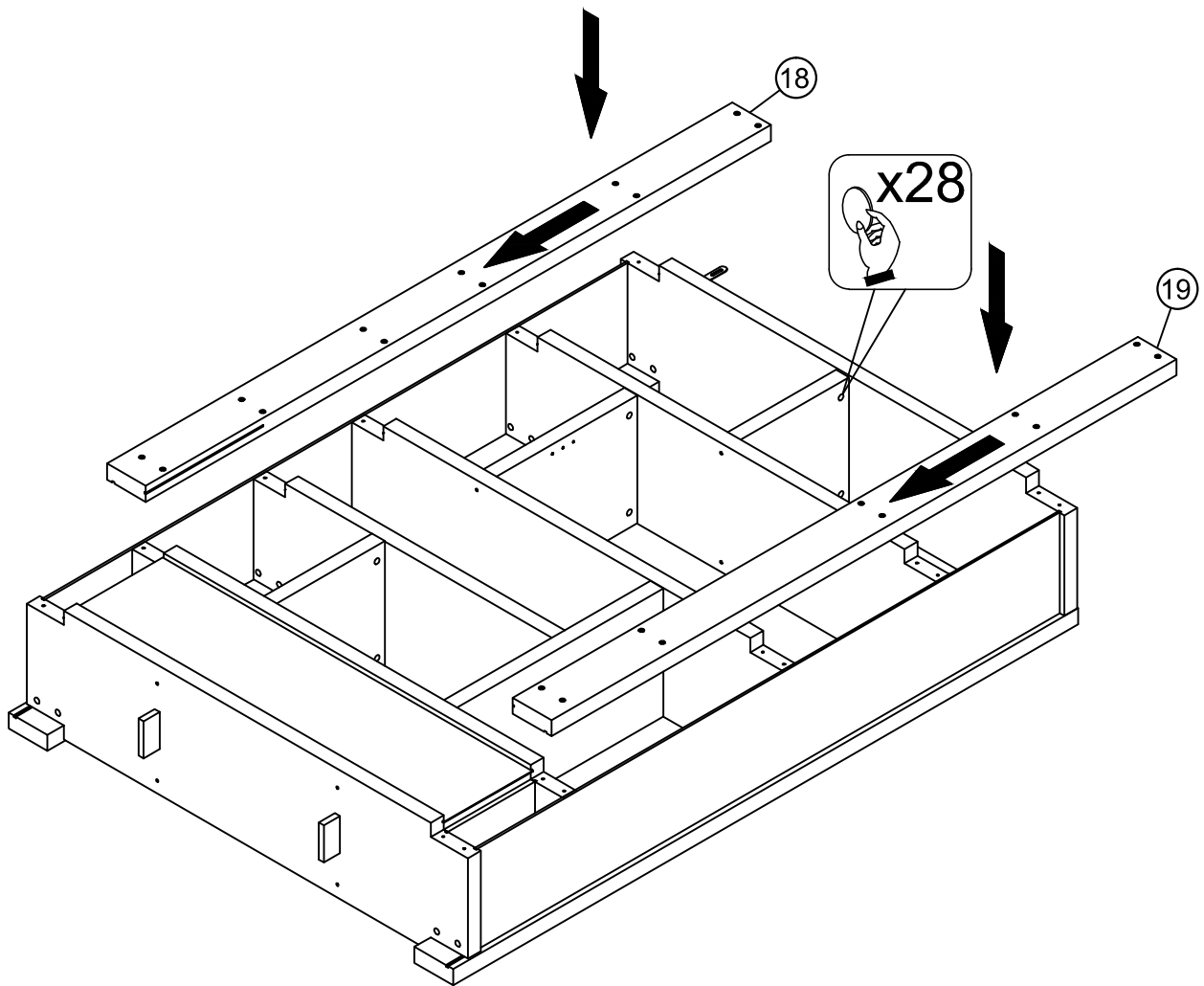
18



19

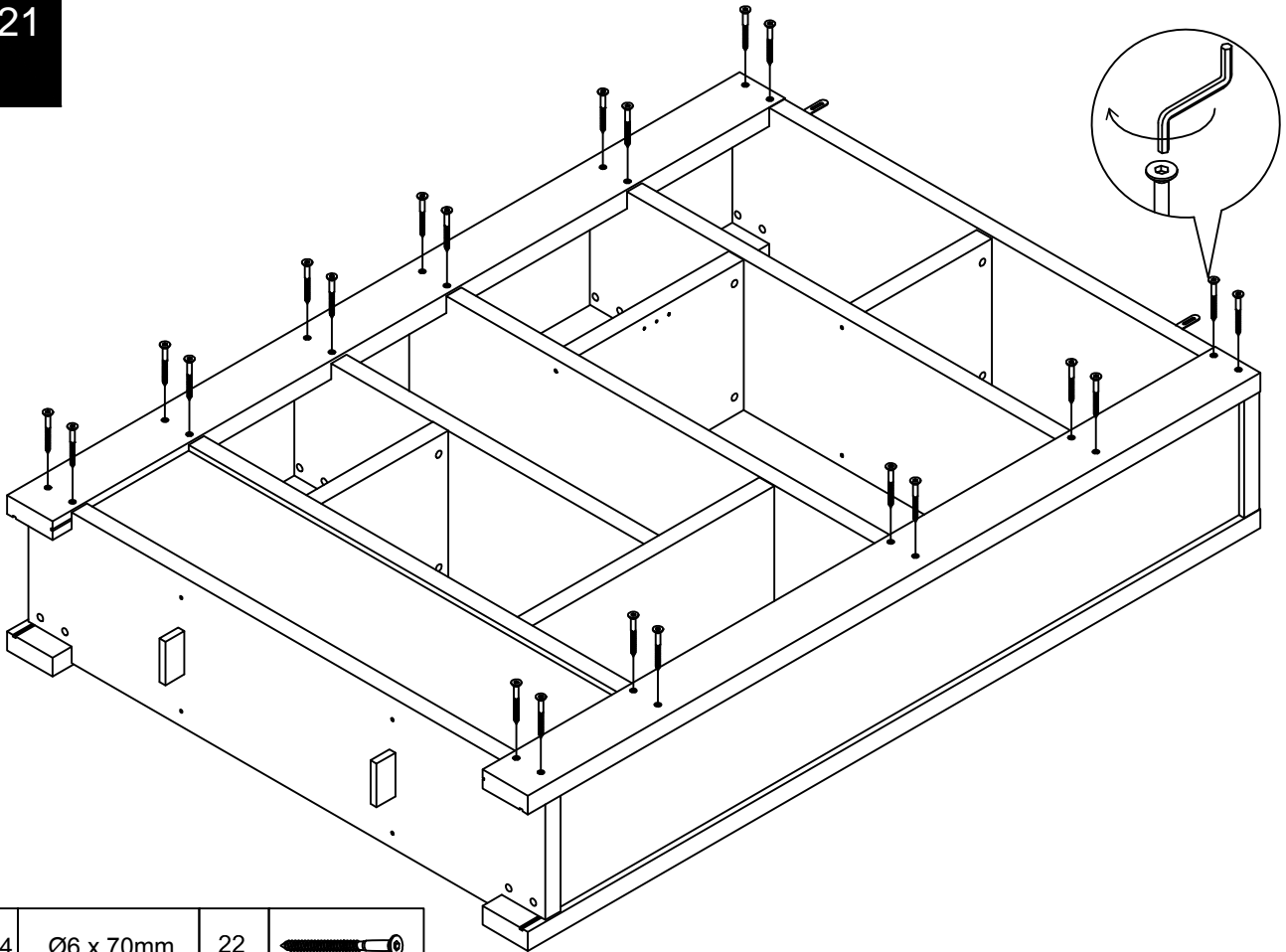



20



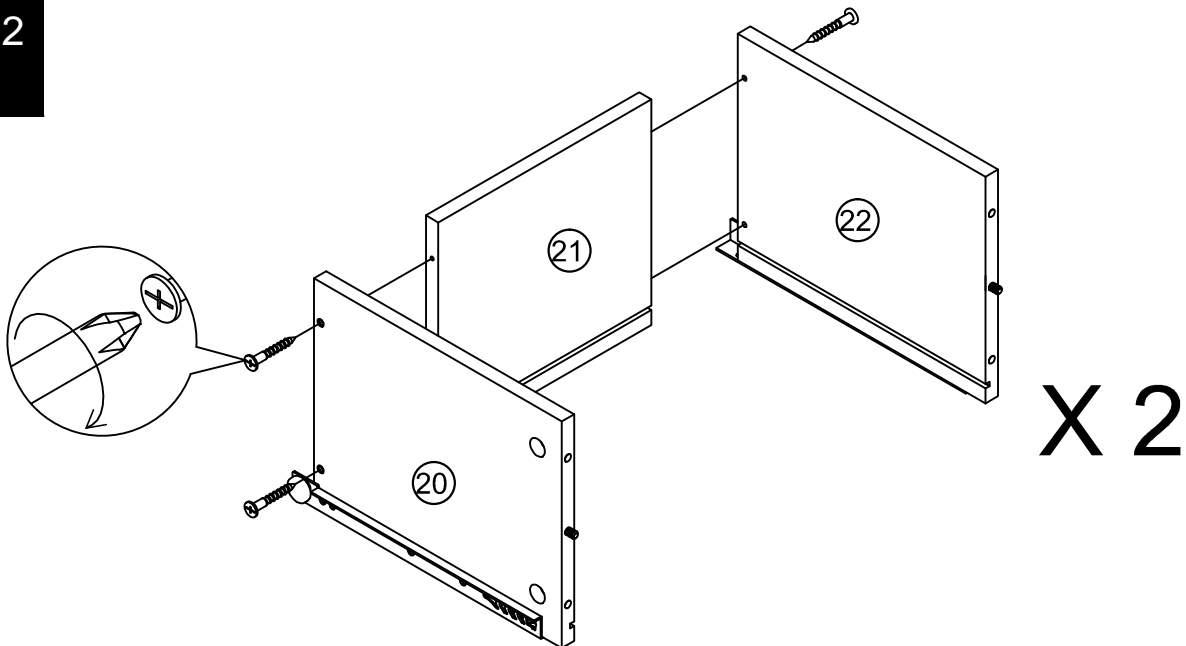
O1	N/A	28	○
----	-----	----	---


21



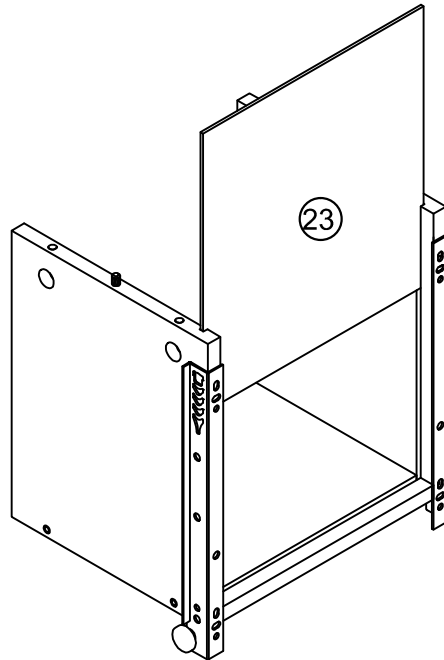
Y14	Ø6 x 70mm	22	
-----	-----------	----	---

22



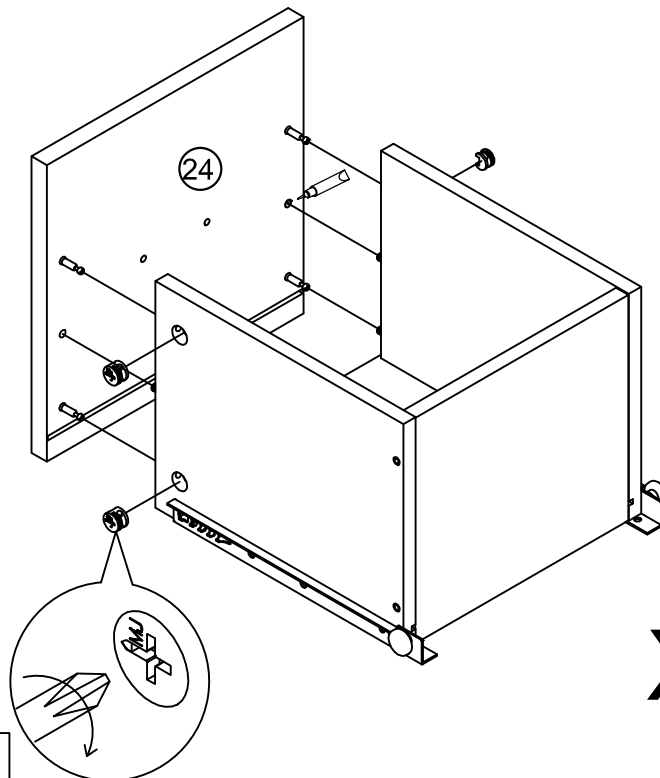
U157	Ø4 x 38mm	8	
------	-----------	---	---

23



X 2

24



X 2

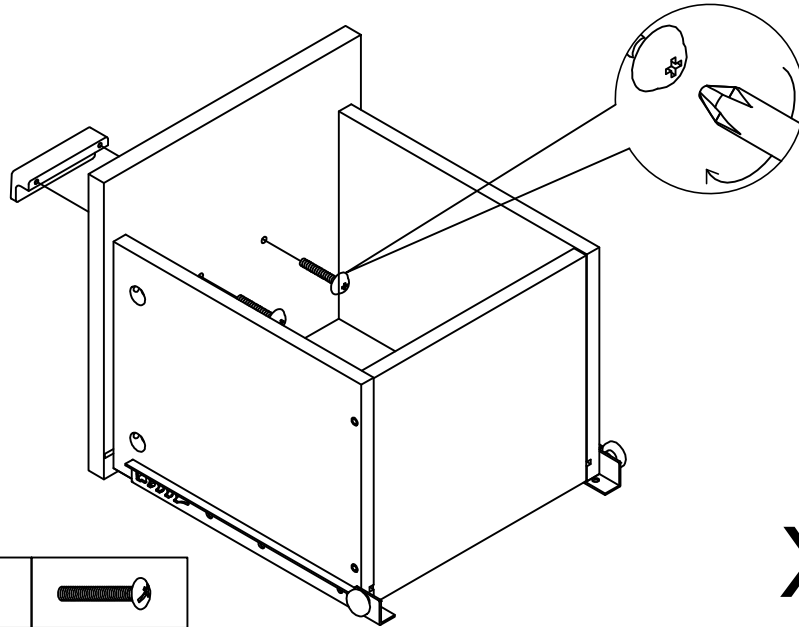
B1

Ø15 x 10mm


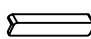
8



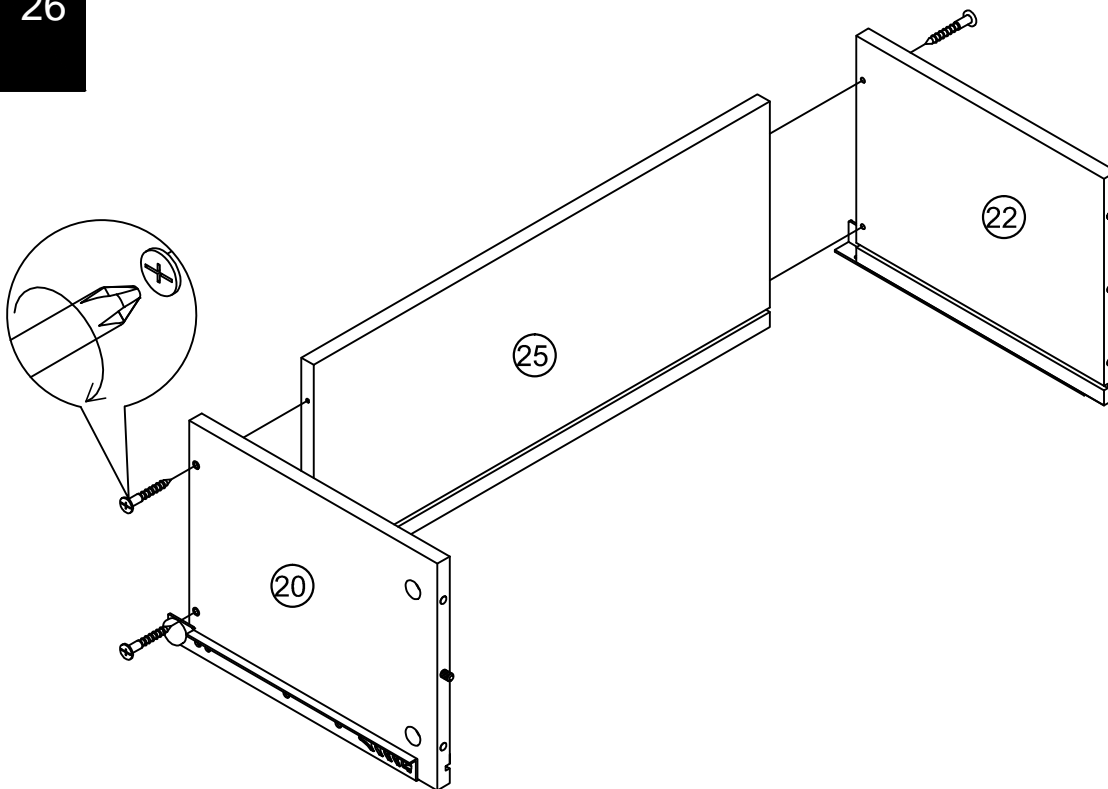
25




X 2

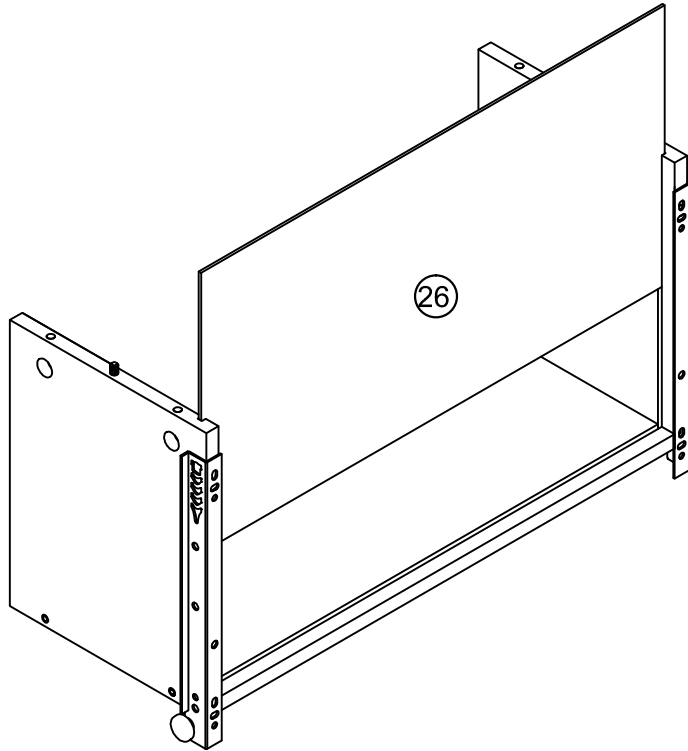
Z14	Ø4 x 21mm	4	
E30	N/A	2	

26

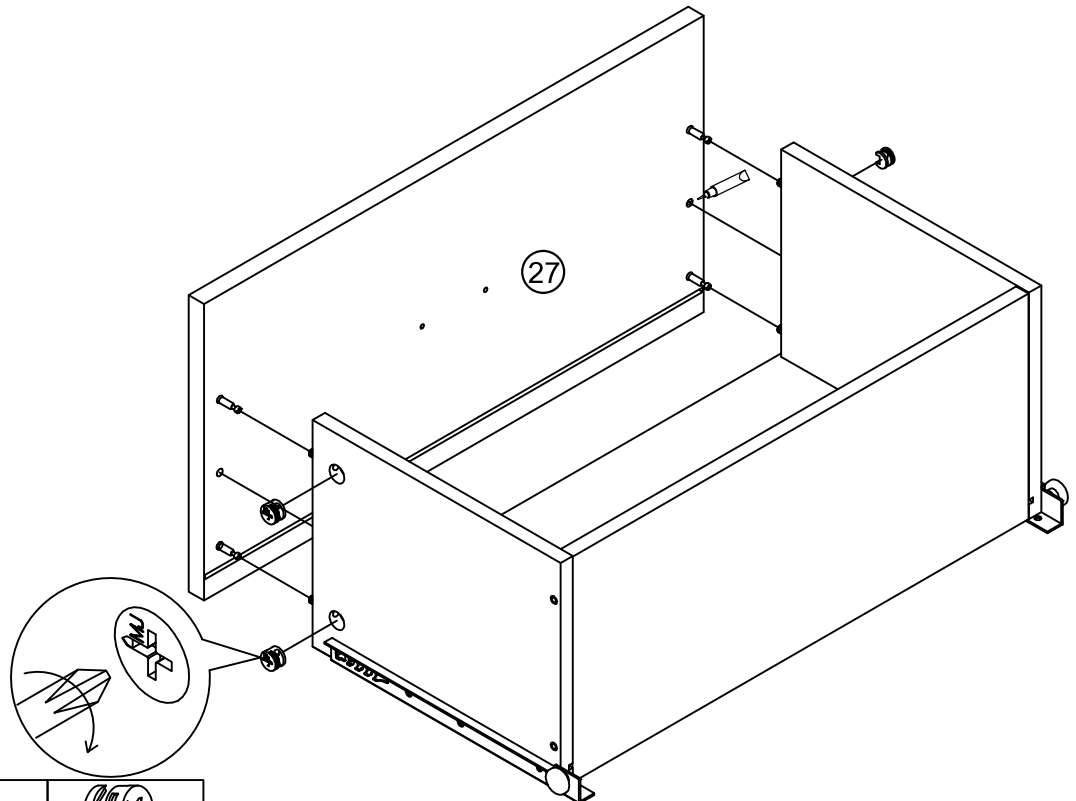


U157	Ø4 x 38mm	4	
------	-----------	---	---

27



28



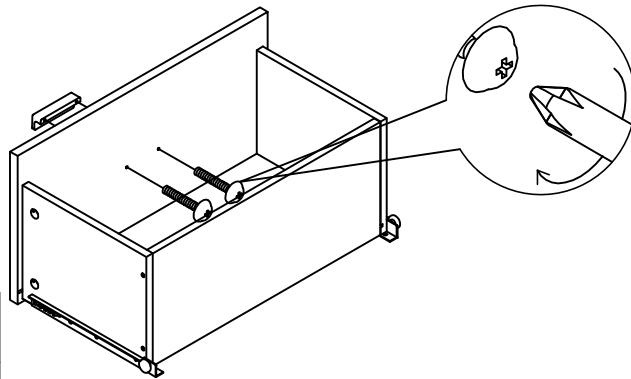
B1


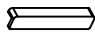
Ø15 x 10mm

4

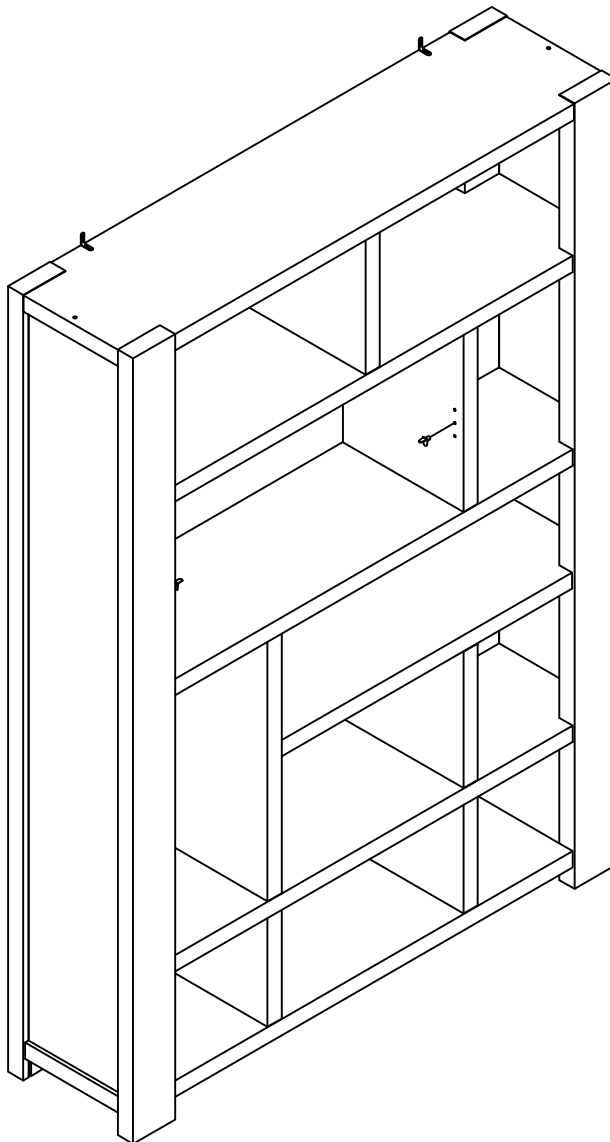



29



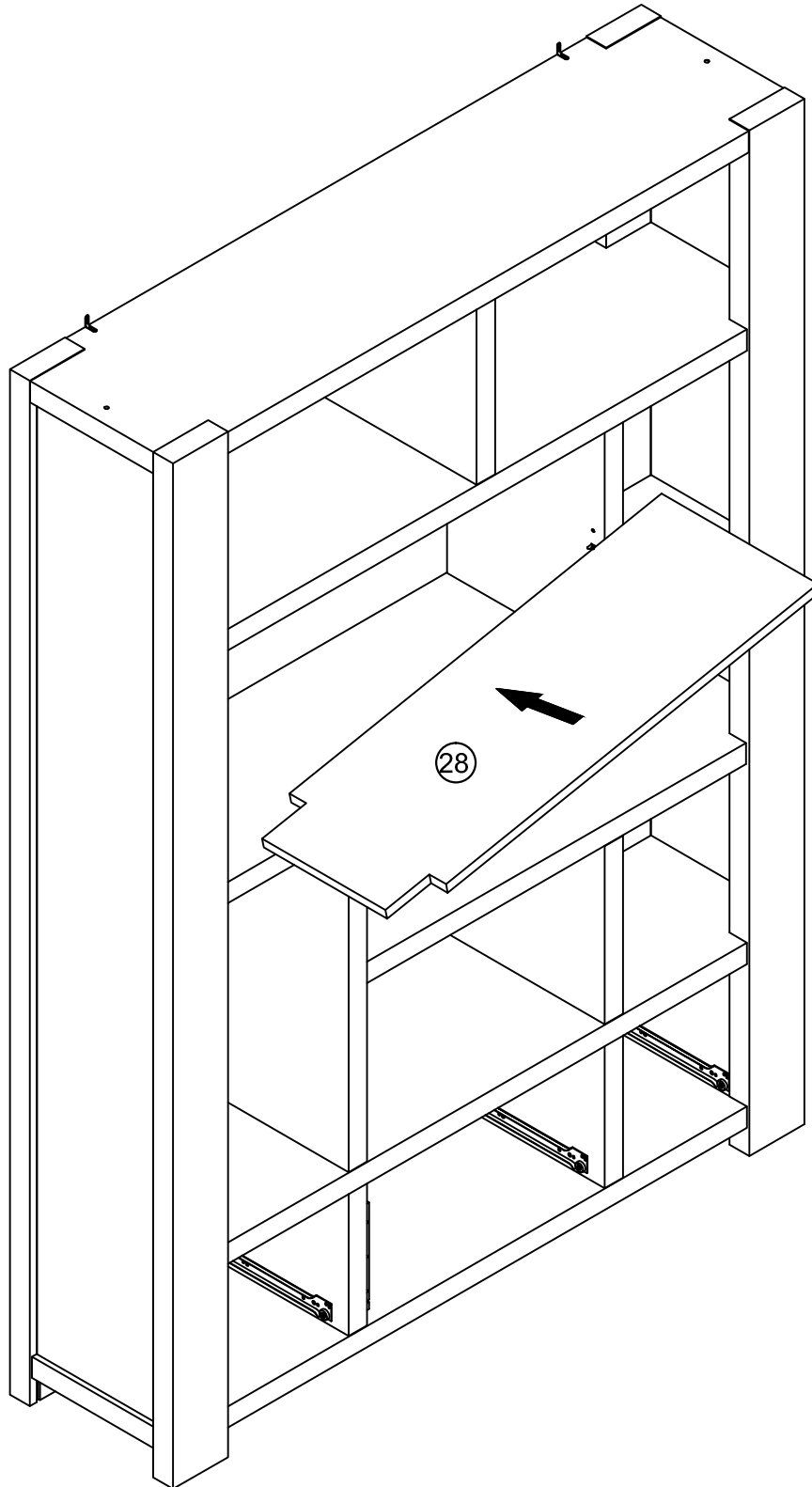
Z14	Ø4 x 21mm	2	
E30	N/A	1	

30

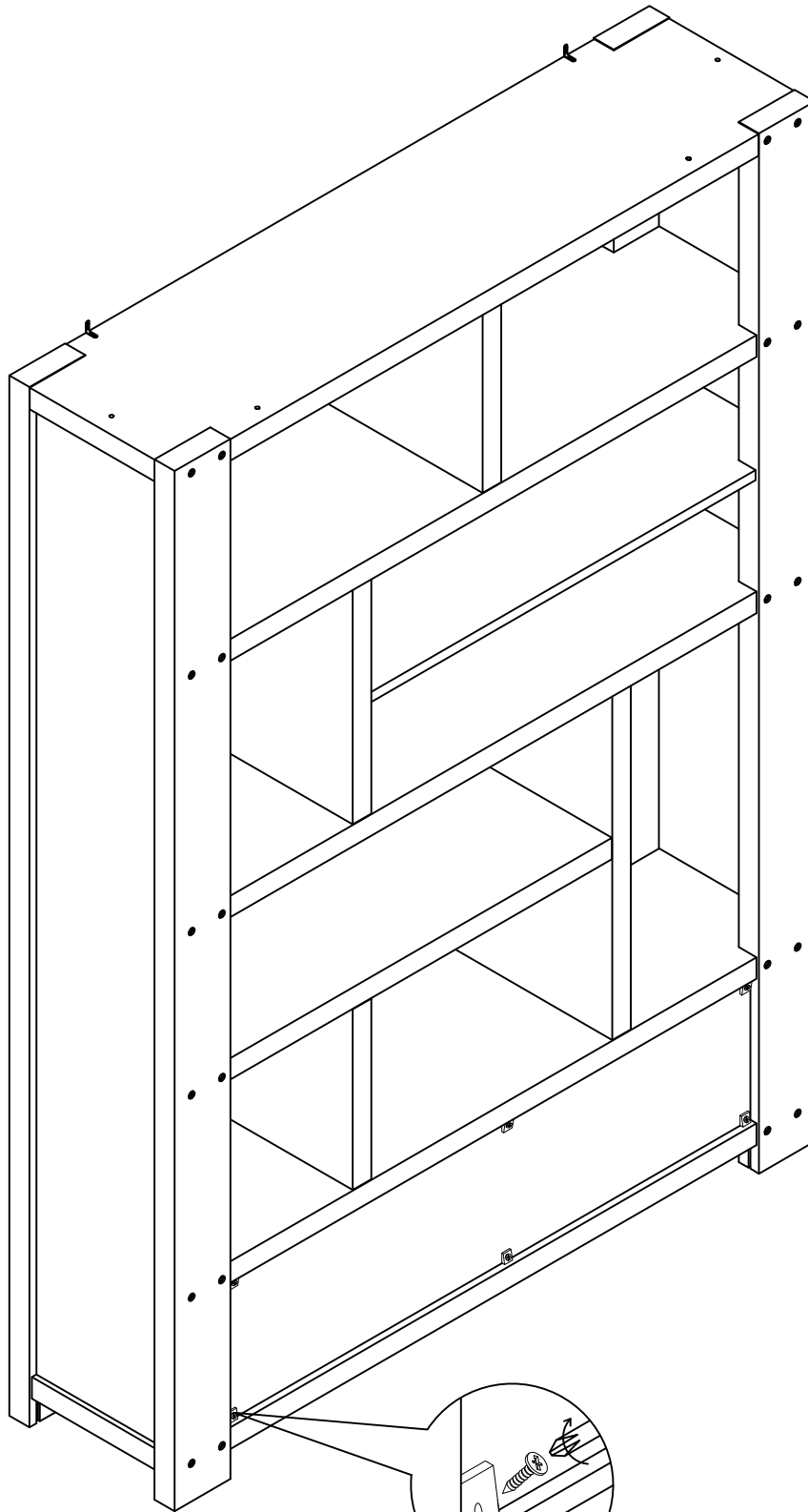




P20	N/A	4	
-----	-----	---	---

31

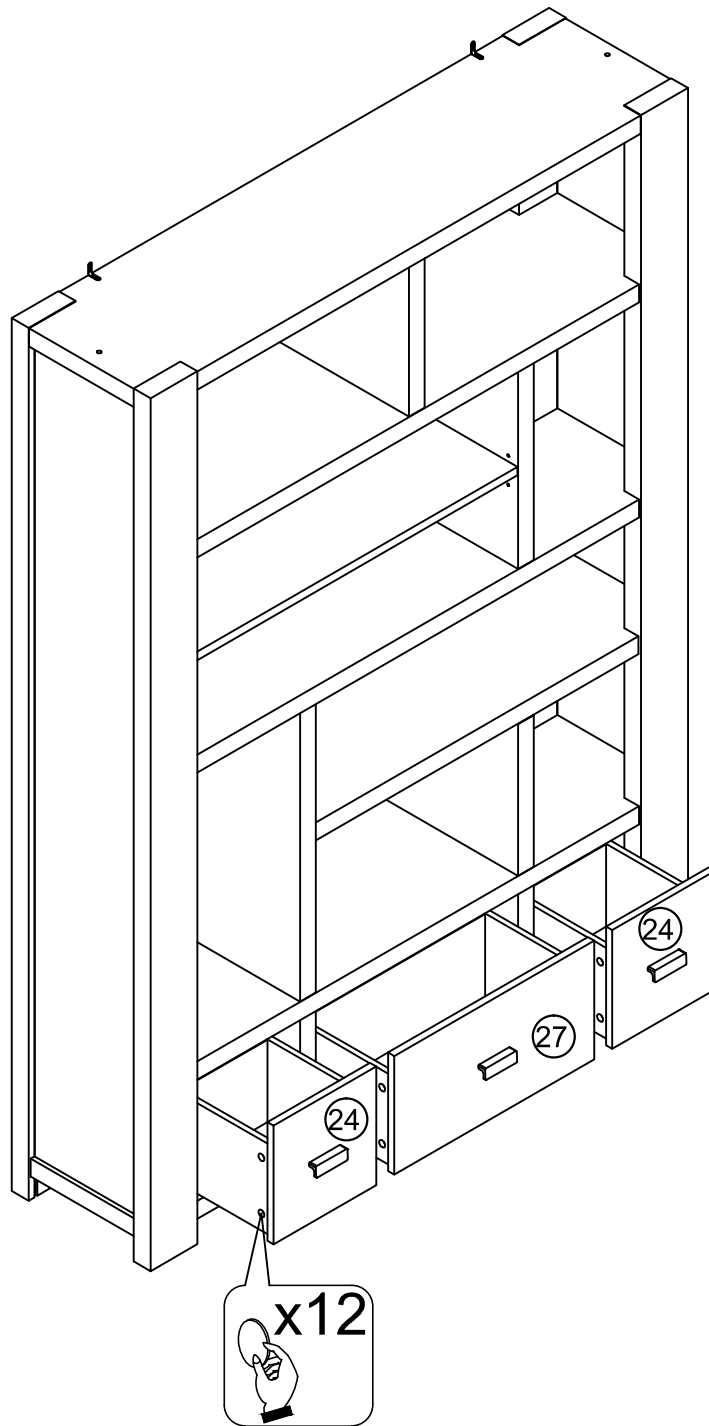


32



U39	Ø3 x 14mm	6	
T38	N/A	6	

33



O1	N/A	12	○
----	-----	----	---

34

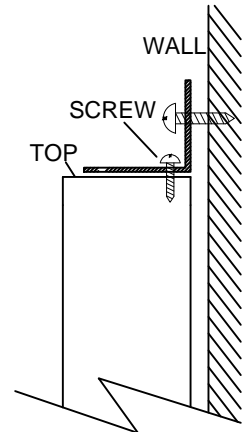
We recommend the use of the wall attachment bracket/strap provided for safety reasons. Secure the other end of the strap to the wall with an appropriate screw and wall plug for your wall type (not provided).

To hide the strap behind the unit, drill the hole lower than the top of unit.

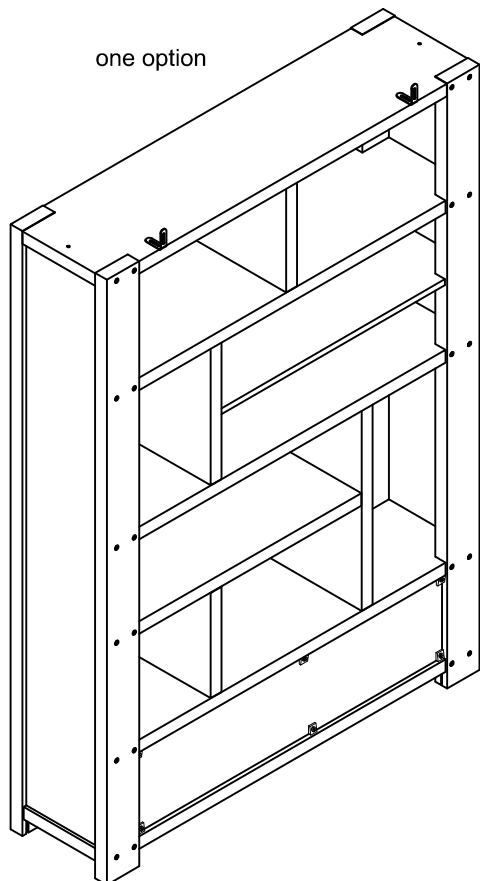
Warning: Always ensure intended wall area to be drilled is free from hidden electrical wires, water and gas pipes.

NB: Wall fixings are not included-Please source suitable fixing for your wall type.

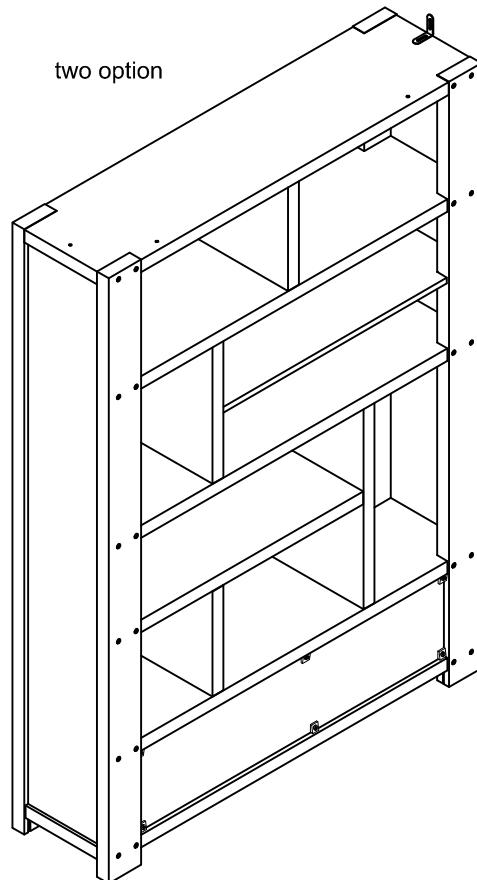
If in doubt please consult a qualified trades person.



one option



two option



next

CORSICA ROOM DIVIDER
128194

Actual product size
H191 x W136x D35cm

