

next

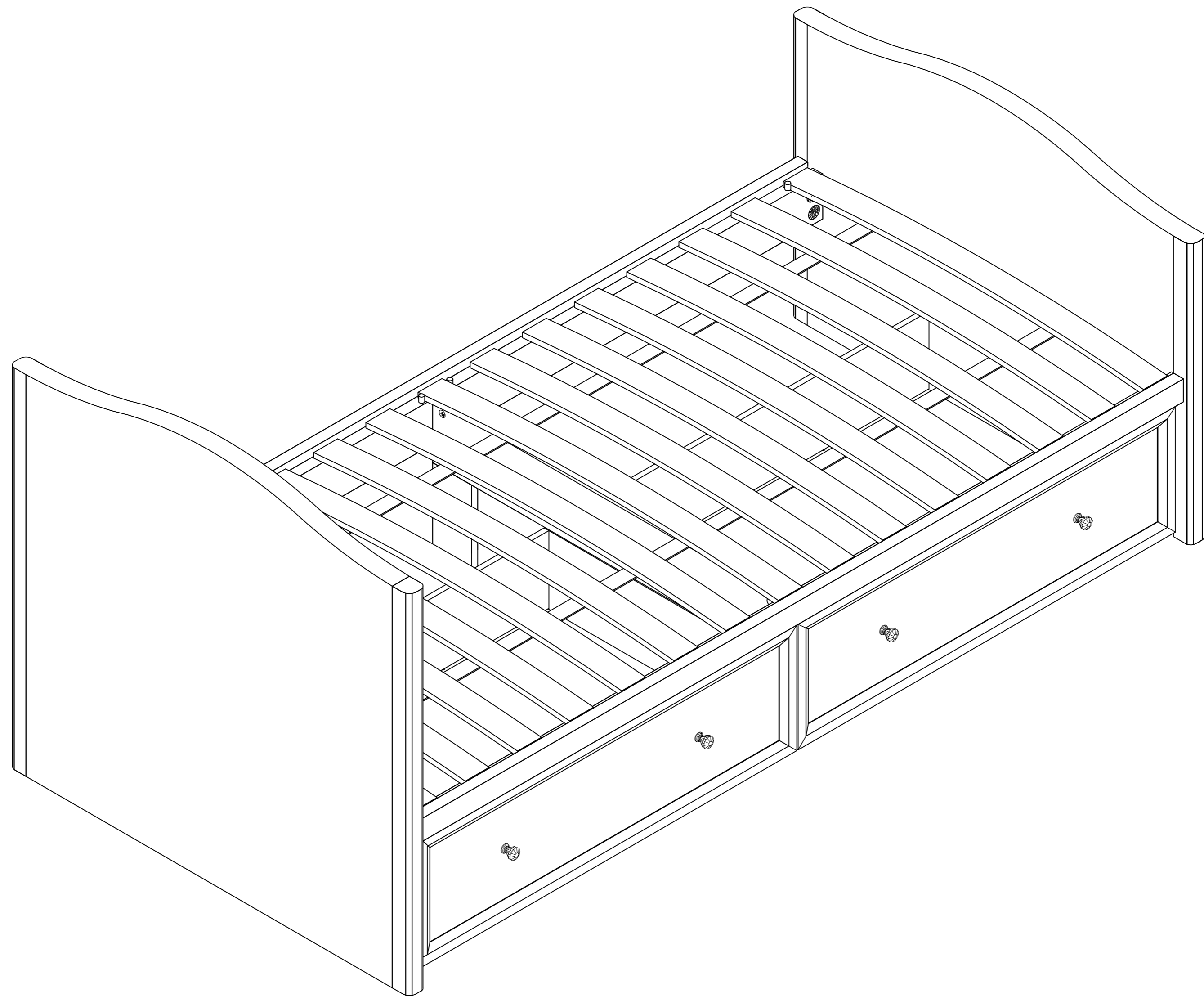
# AMELIA STORAGE BED

129380/892804/602379

Assembly instructions

**Actual product size**

H94 x W200x D101cm



**IMPORTANT!**  
**KEEP FOR FUTURE REFERENCE**

**Need Help ?**

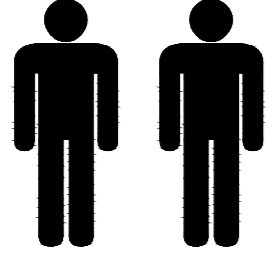
With: Assembly instruction  
Missing or damaged parts

**CALL: 0333 777 8999**

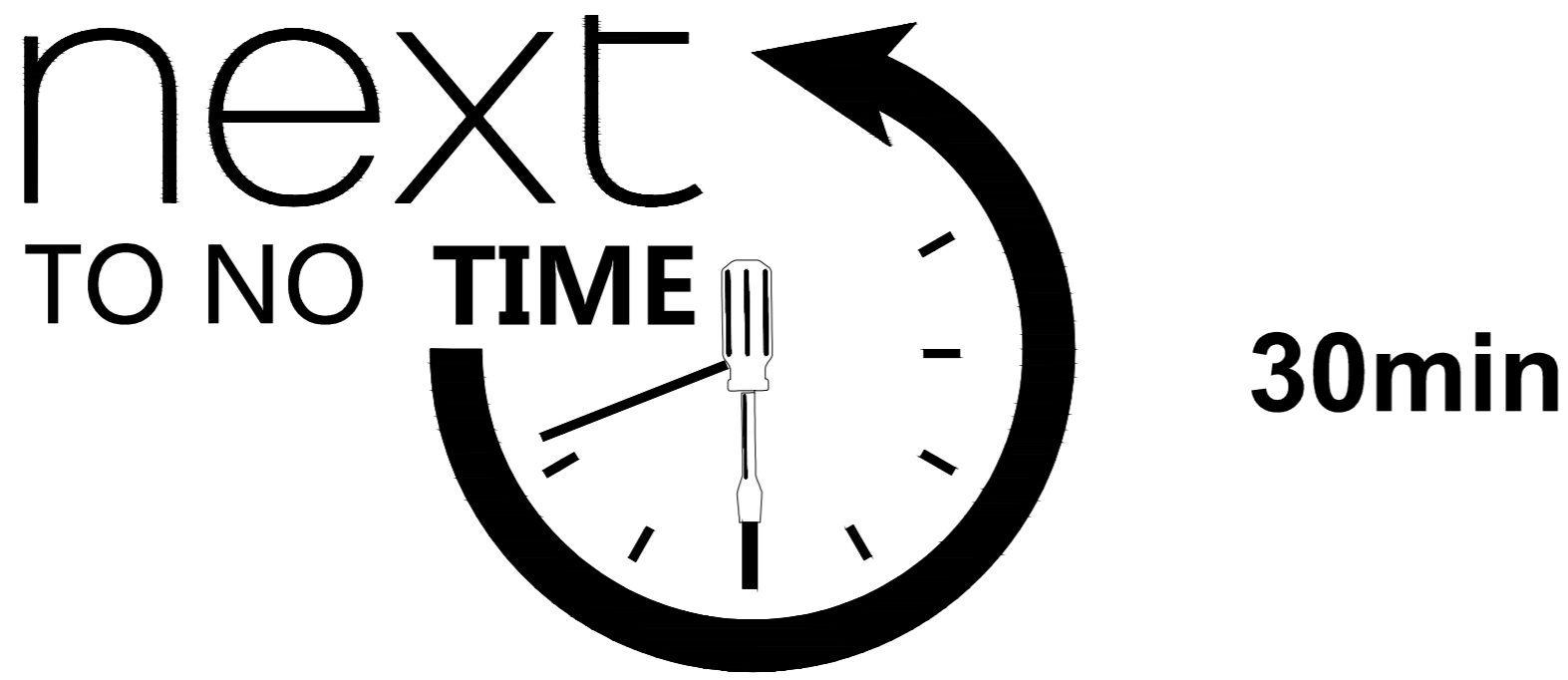
## BEFORE YOU START

### Number of people required to assemble

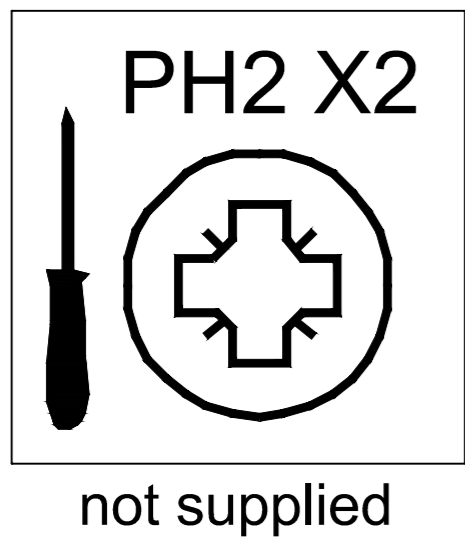
Two people are required to assemble this item



### Time to assemble



### Tools required



### Do's

When you are ready to start, make sure that you have the right tools and plenty of space.

Due to the size of the product we recommend that it is assembled in the room intended for use.

Unwrap all packaging materials and place the components on a clean surface to protect it from damage,

We recommend that the packaging is used to protect the surfaces during assembly.

Carefully check that you have all the parts before beginning assembly.

Please periodically check all fittings and re-tighten as necessary.

To clean your item, wipe with soft cloth slightly dampened with water. Then buff with a dry clean cloth.

Routinely check that the fittings are secure and tighten any fittings using the appropriate tools.

If any parts are missing please contact Next to obtain replacements. Under no circumstances should missing parts or hardware be substituted unless obtained from Next

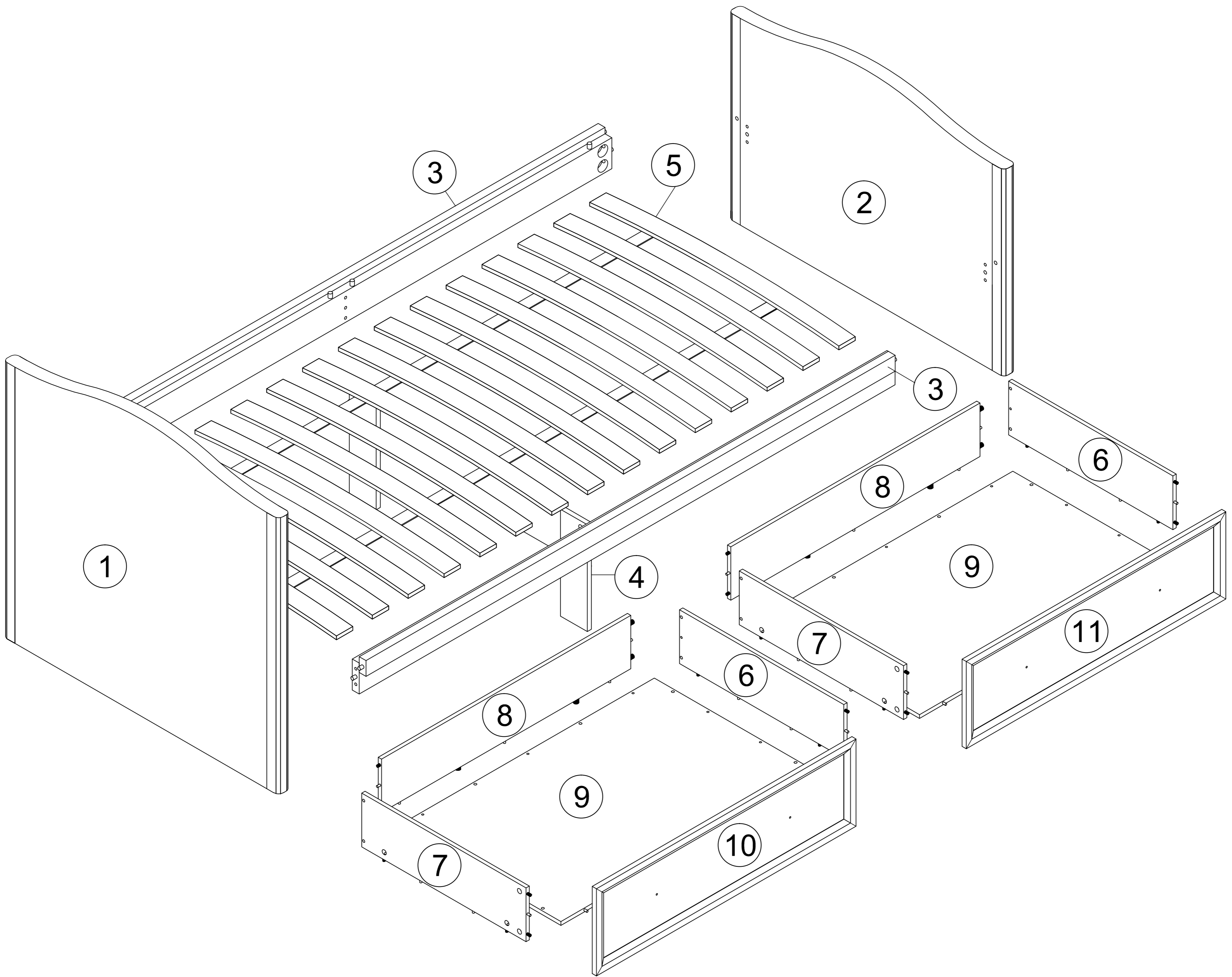
### Don'ts

Do not drag or pull your furniture.

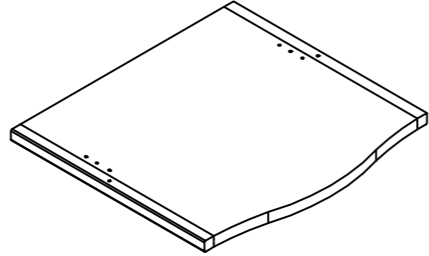
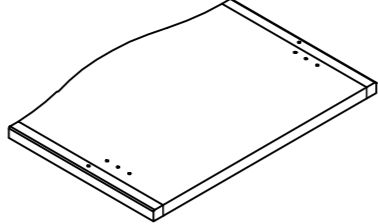
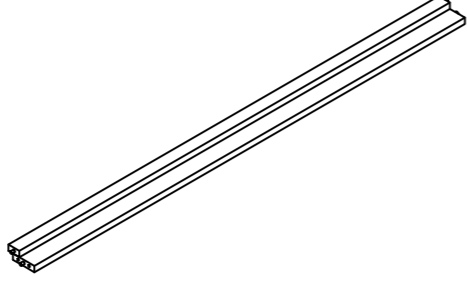
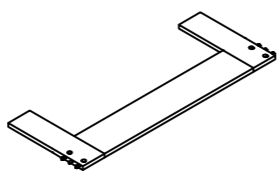
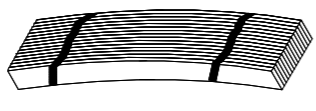
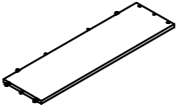
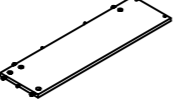
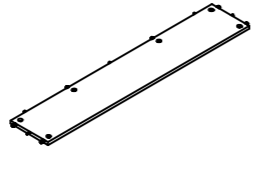
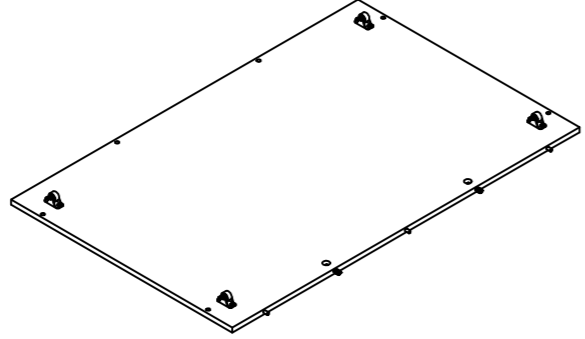
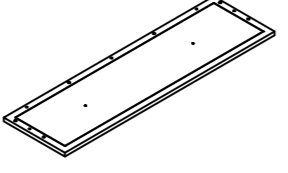
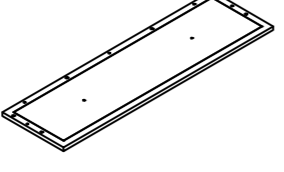
Do not use silicone based furniture polish. Silicone in furniture polishes can break down the lacquer finish

Do not stand or jump on this product.

## GETTING TO KNOW YOUR PRODUCT

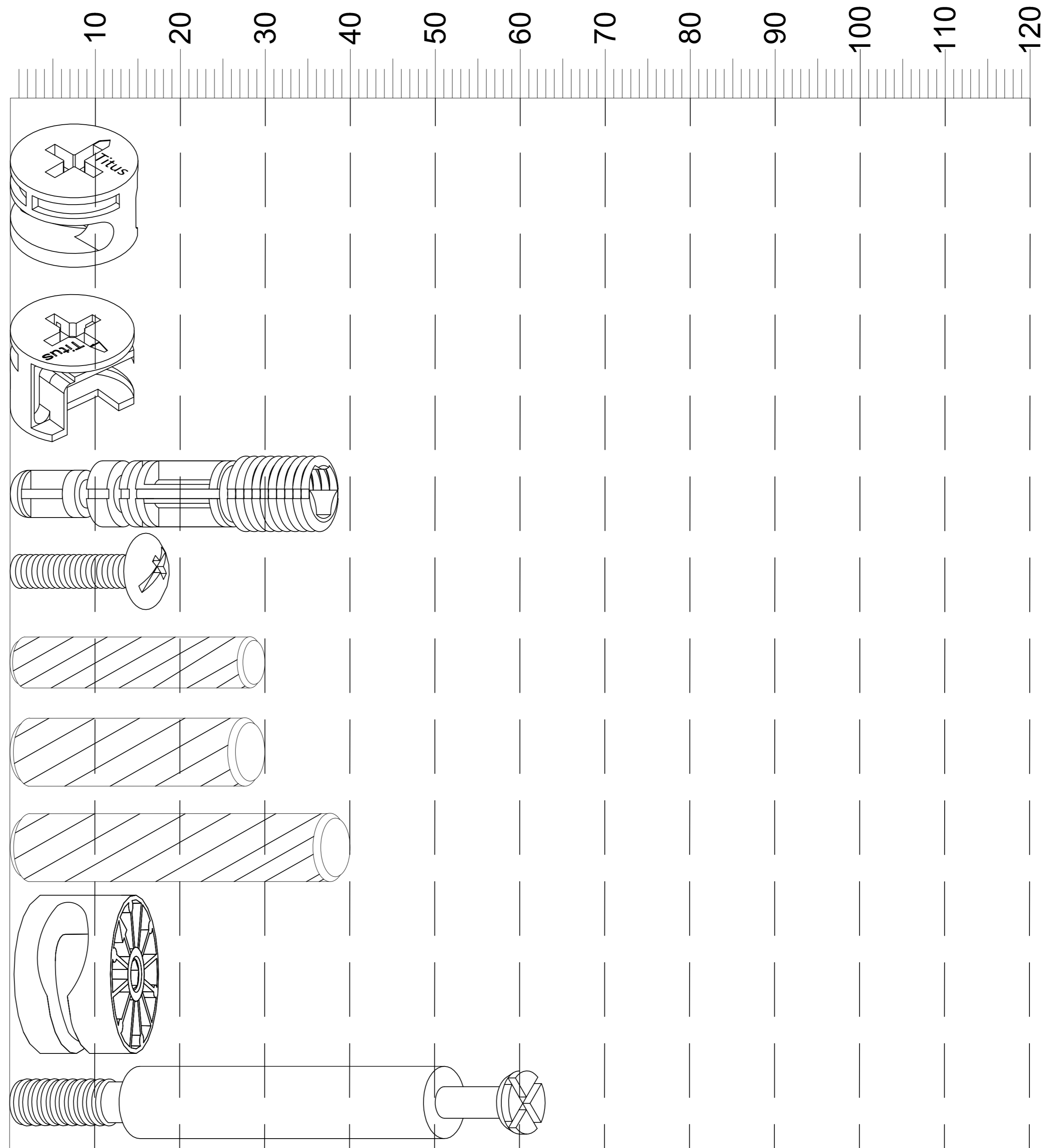


Components supplied. Please use this guide if you require replacement parts.

Ref	Dimensions	Visual	Qty	Ctn
1	94 x 101cm		1	1
2	72 x 101cm		1	1
3	12 x 192cm		2	2
4	34 x 87cm		1	1
5	6 x 91cm		15	4
6	17 x 60cm		2	3
7	17 x 60cm		2	3
8	17 x 92cm		2	3
9	60 x 95cm		2	3
10	28 x 95cm		1	3
11	28 x 95cm		1	3

Fixtures and fittings supplied (actual size)

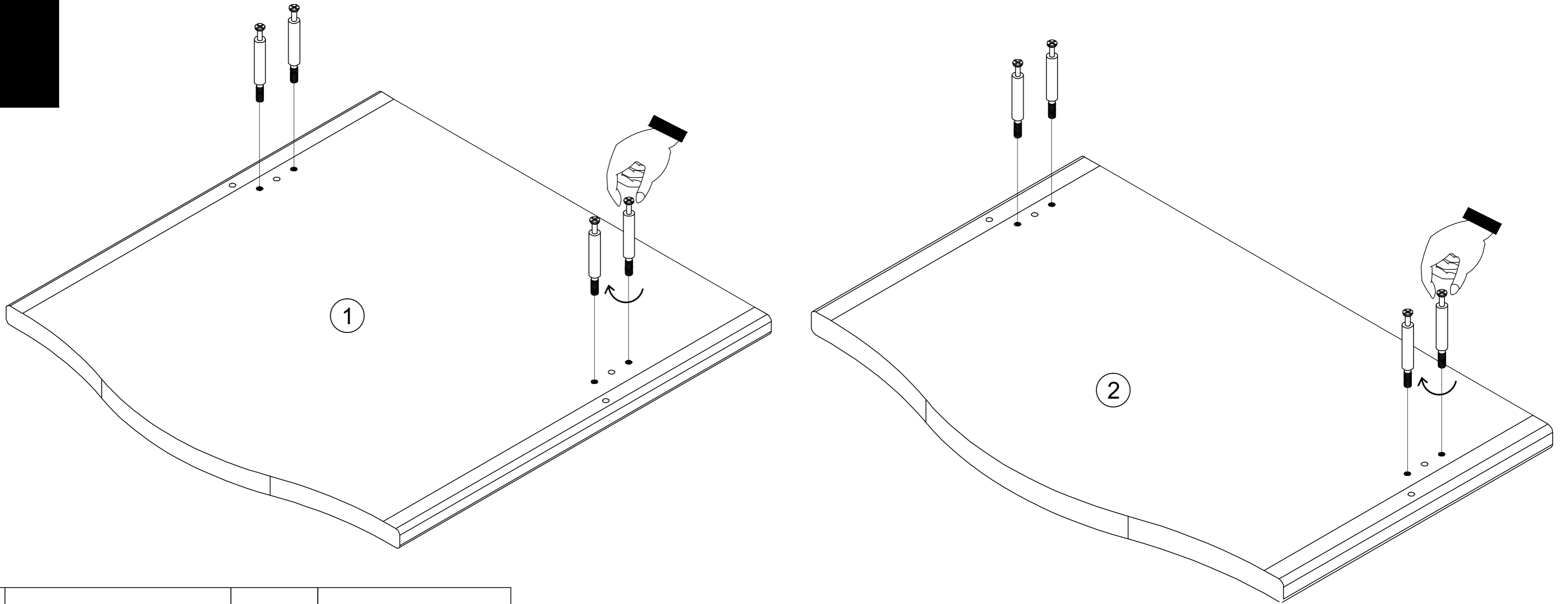
Ref	Dimensions	Qty	Spare Qty
B2	Ø15 x 10mm	N/A	2
B3	Ø15 x 12mm	N/A	1
B8	Ø8 x 38mm	N/A	2
Z8	Ø4 x 18mm	4	N/A
D3	Ø6 x 30mm	N/A	2
D6	Ø8 x 30mm	N/A	1
D9	Ø10 x 40mm	N/A	1
B25	Ø35 x 17mm	8	N/A
B24	Ø8.5 x 63mm	8	N/A

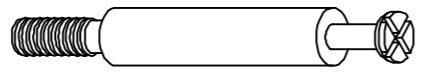


Fixtures and fittings supplied ( not to scale)

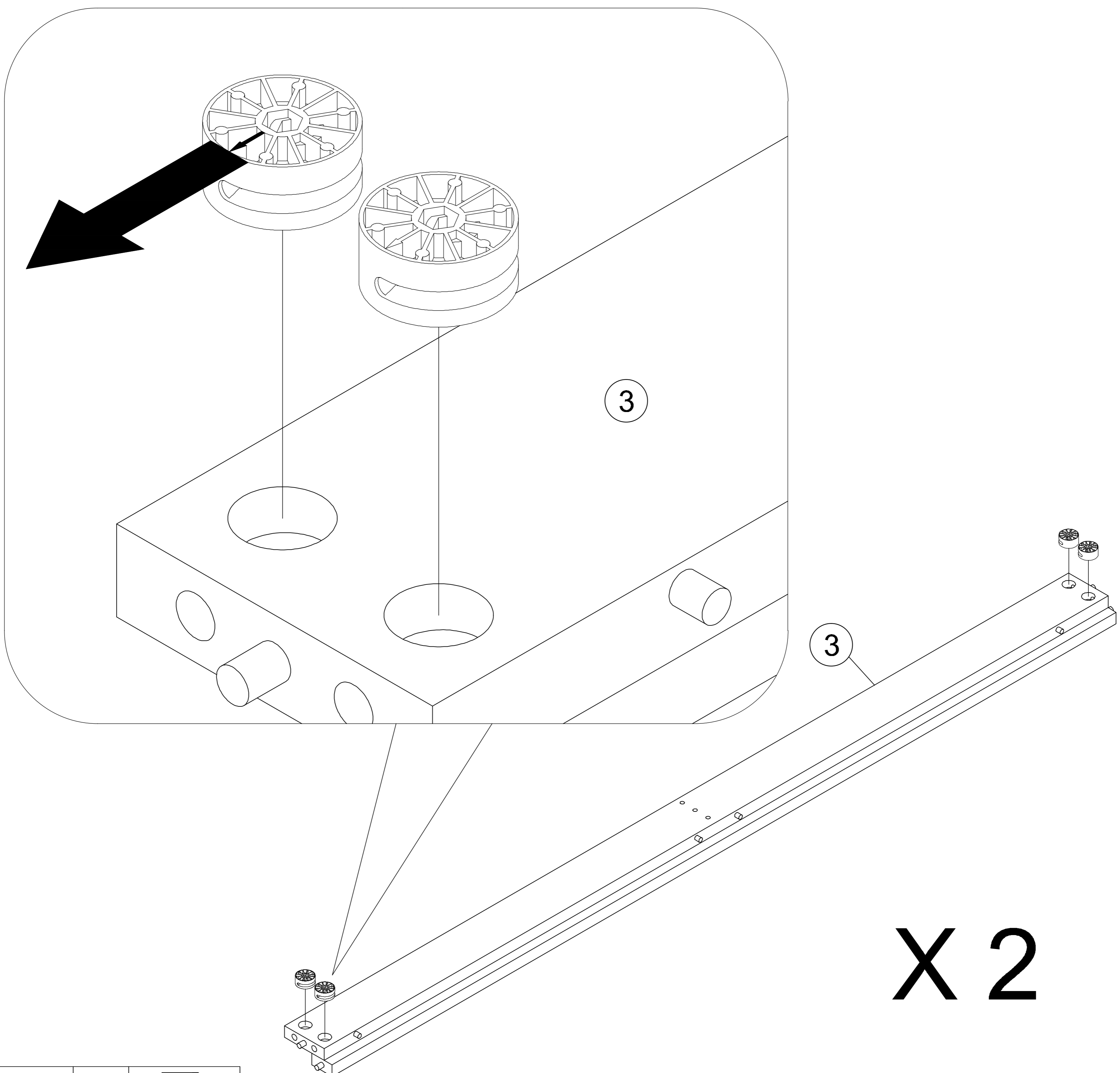
Ref	Dimensions	Qty	Spare Qty	Visual
D14	N/A	2	N/A	
T7	N/A	2	N/A	
E1	N/A	4	N/A	

1



B24	Ø8.5 x 63mm	8	
-----	-------------	---	---

2



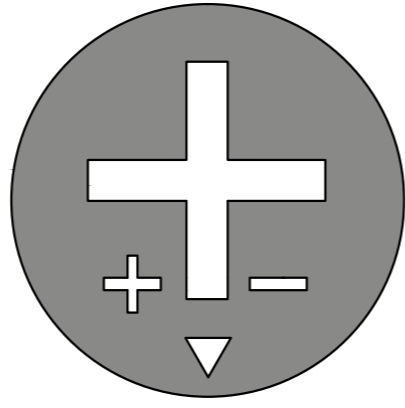
B25	Ø35 x 17mm	8	
-----	------------	---	---



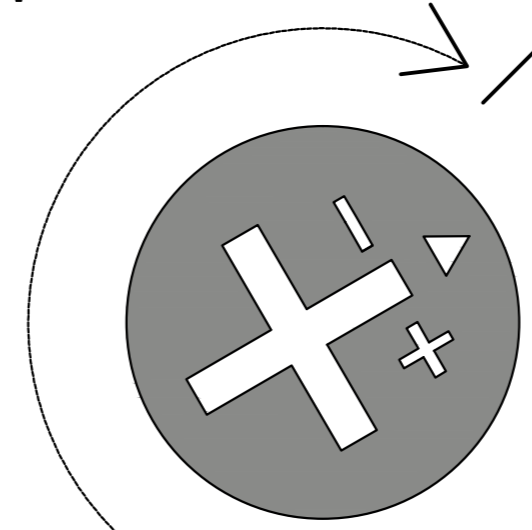
3

**DON'T STOP UNTIL THE 2 O'CLOCK LOCK**

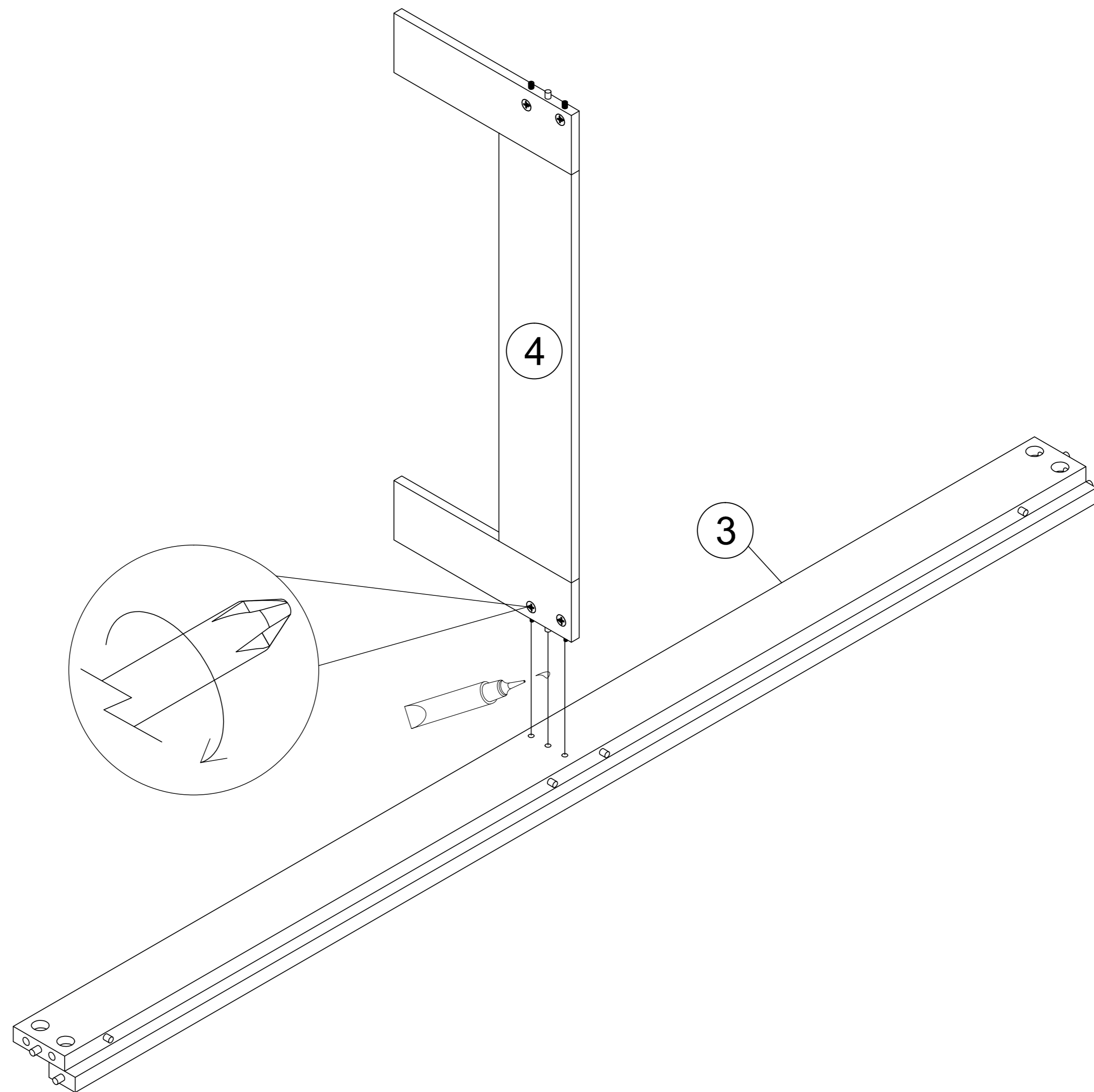
TURN THE CAM IN A CLOCKWISE DIRECTION UNTIL THE  
ARROW POINTS IN THE POSITIONS SHOWN IN THE  
DIAGRAMS BELOW



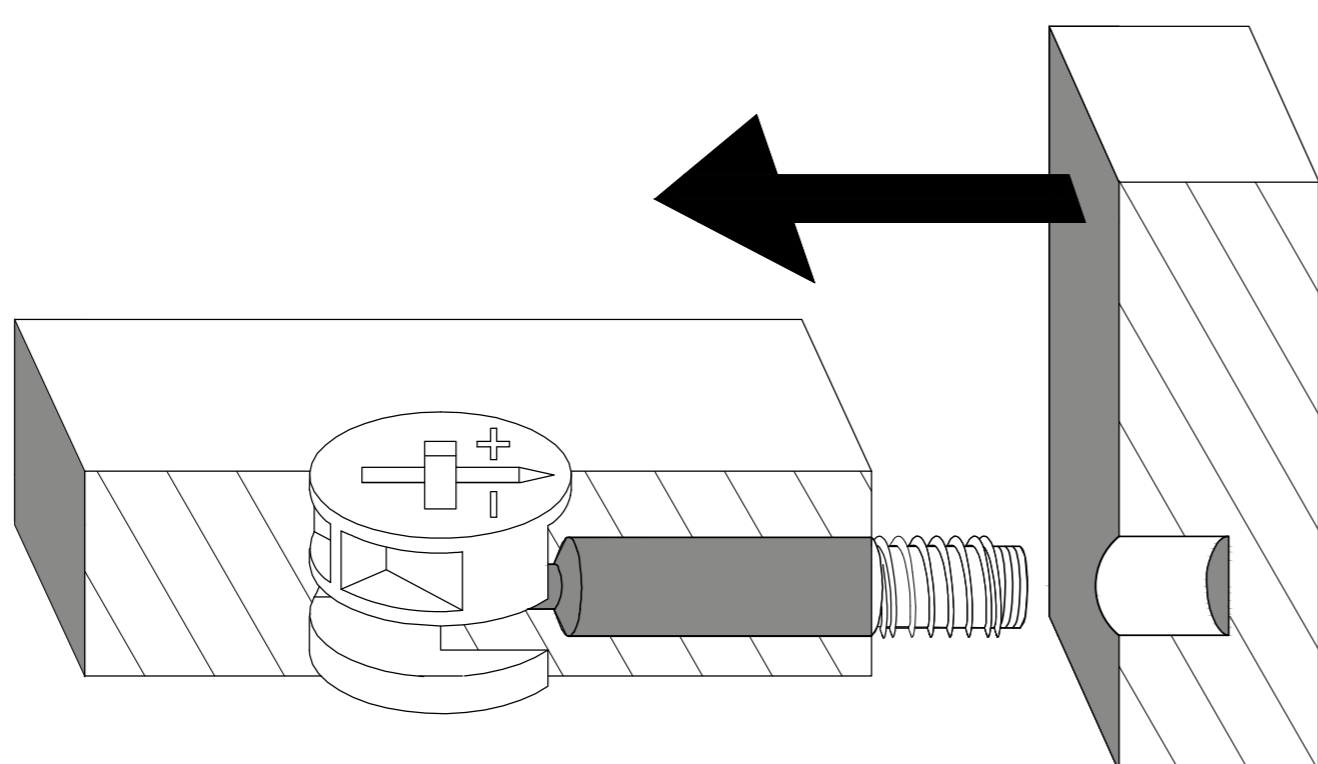
START



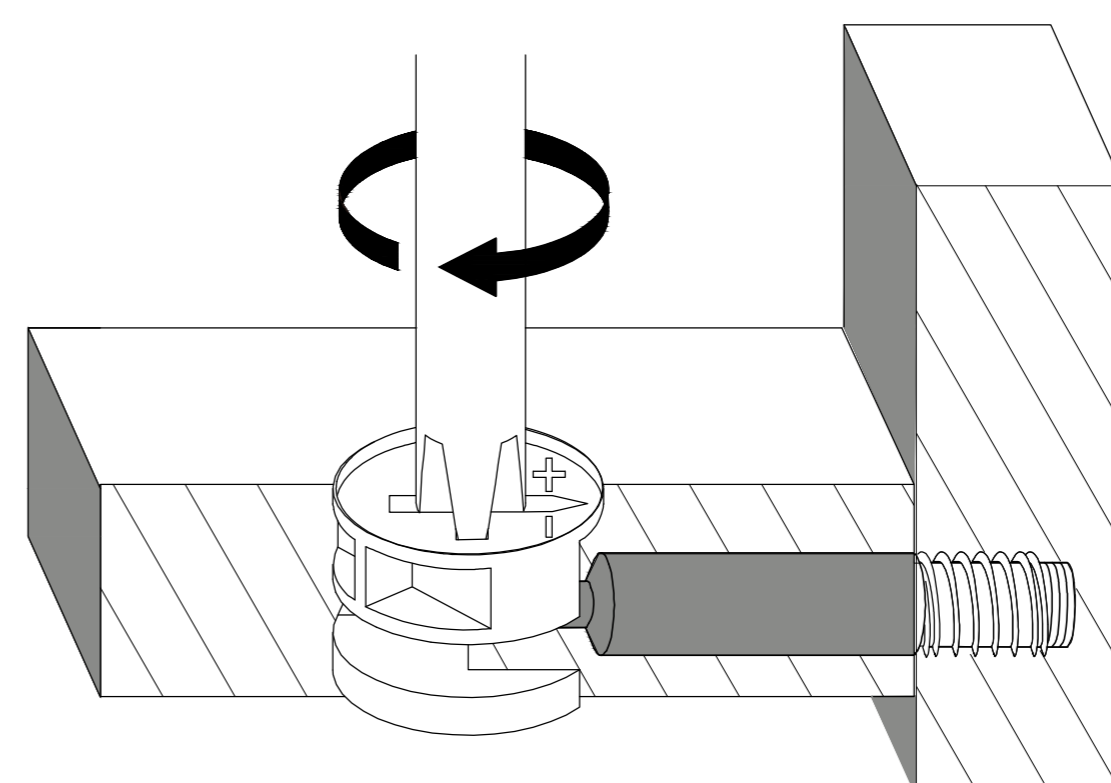
CORRECT  
LOCK



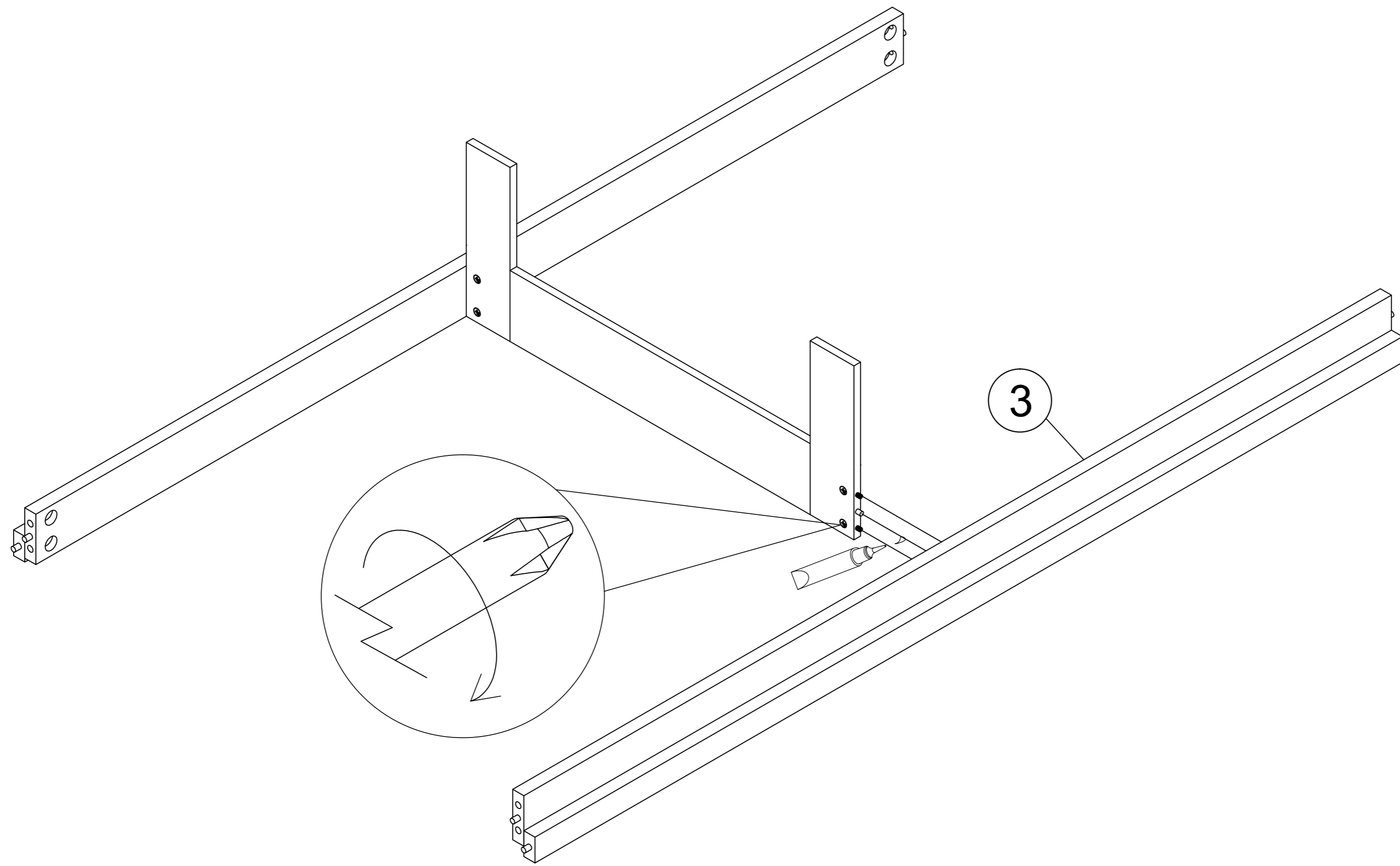
PUSH THE TWO PANELS TOGETHER ALLOWING THE  
DOWEL TO ALIGN WITH THE HOLE



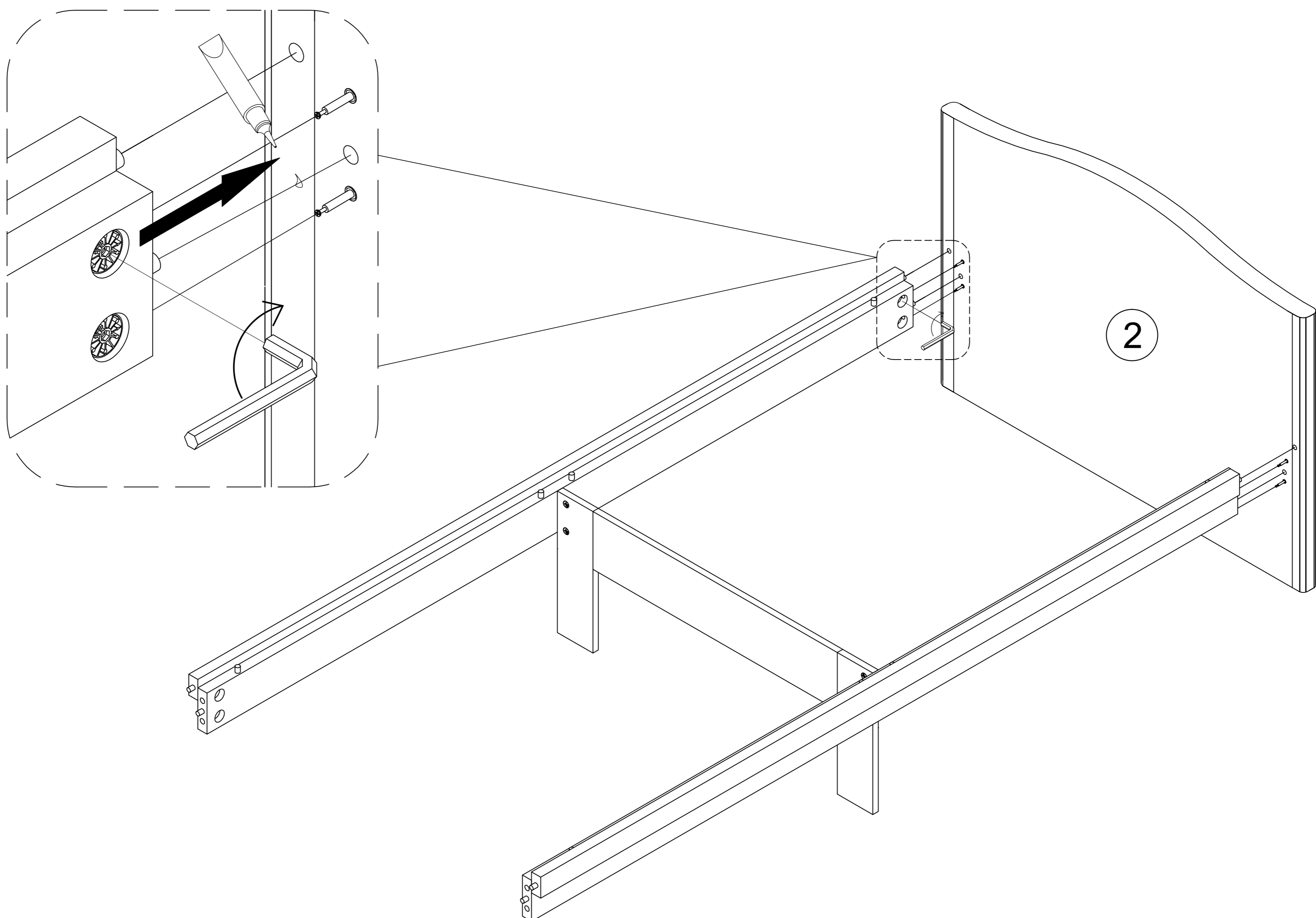
TURN THE CAM IN A CLOCKWISE DIRECTION

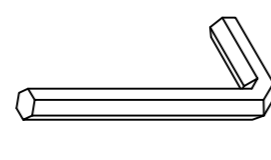


4



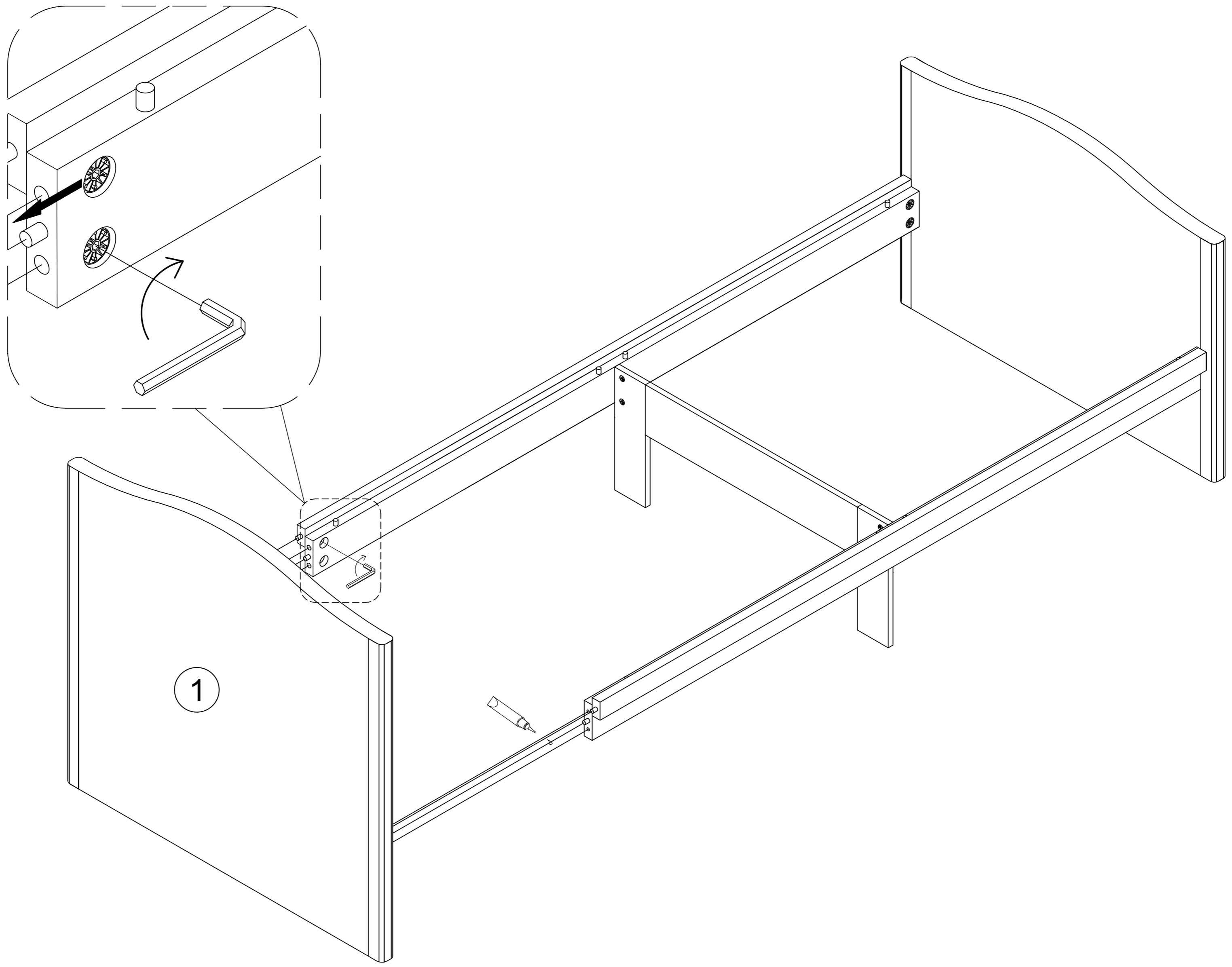
5



T7	N/A	2	
----	-----	---	---



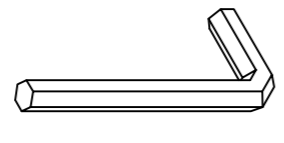
6



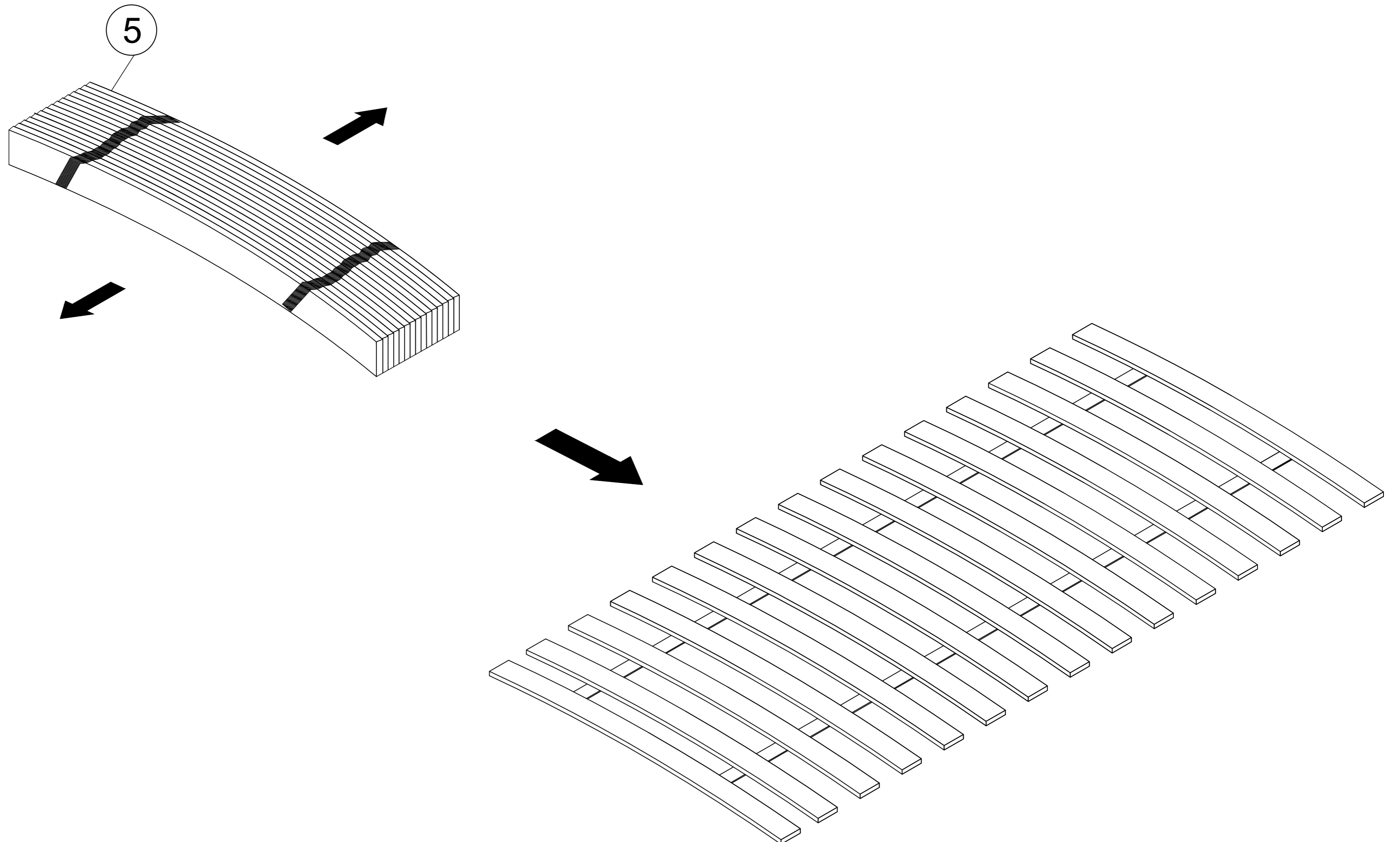
T7

N/A

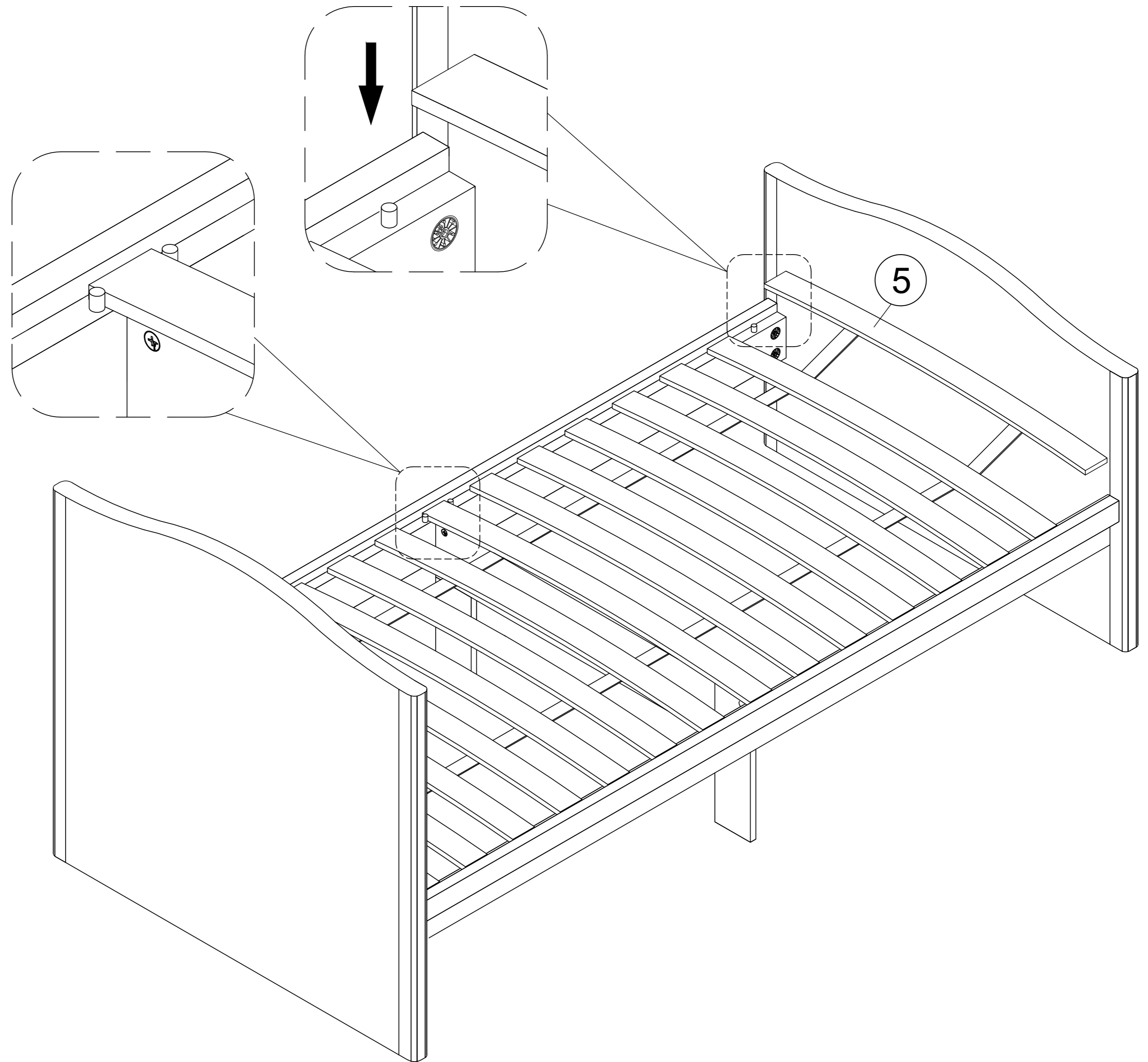
2



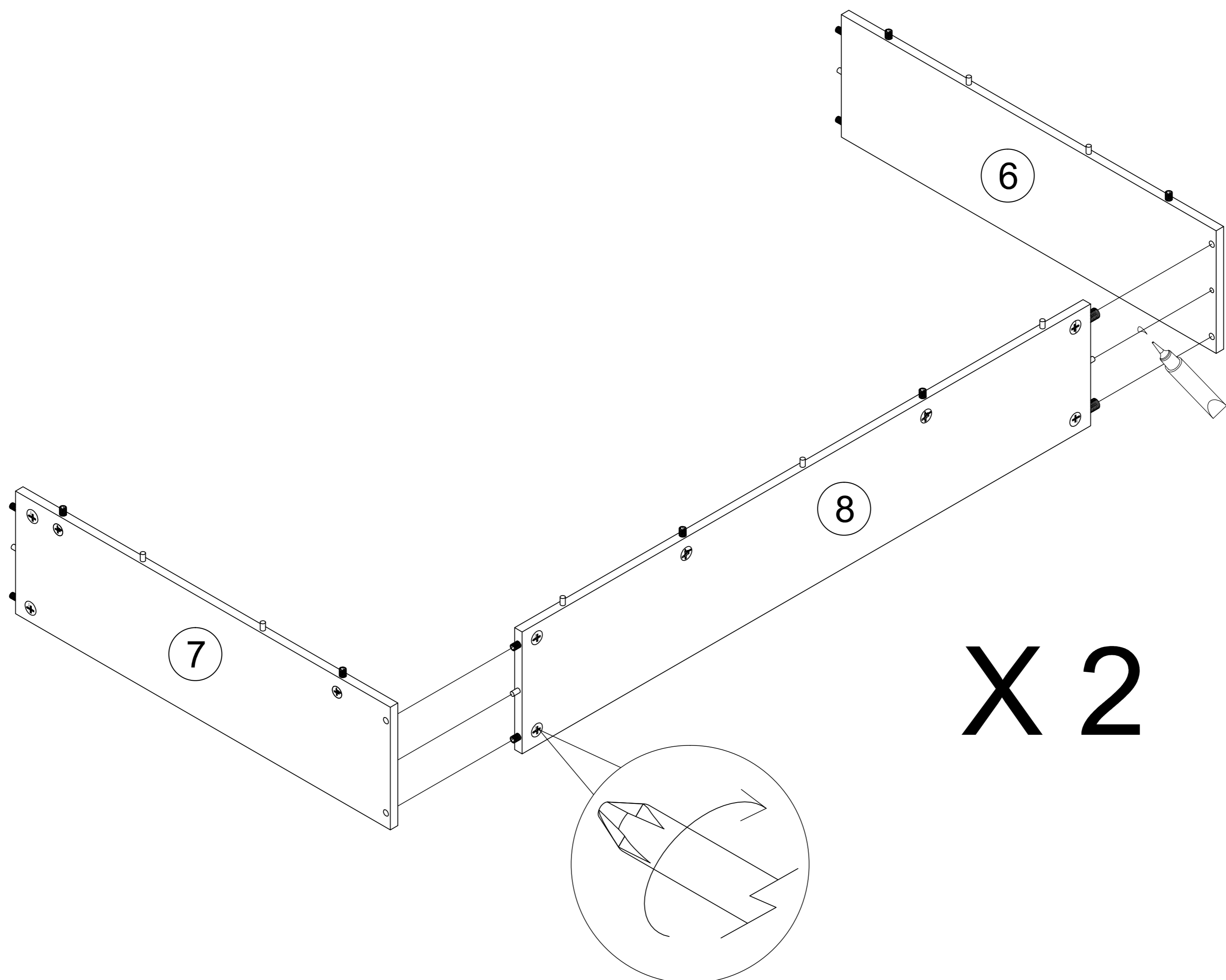
7



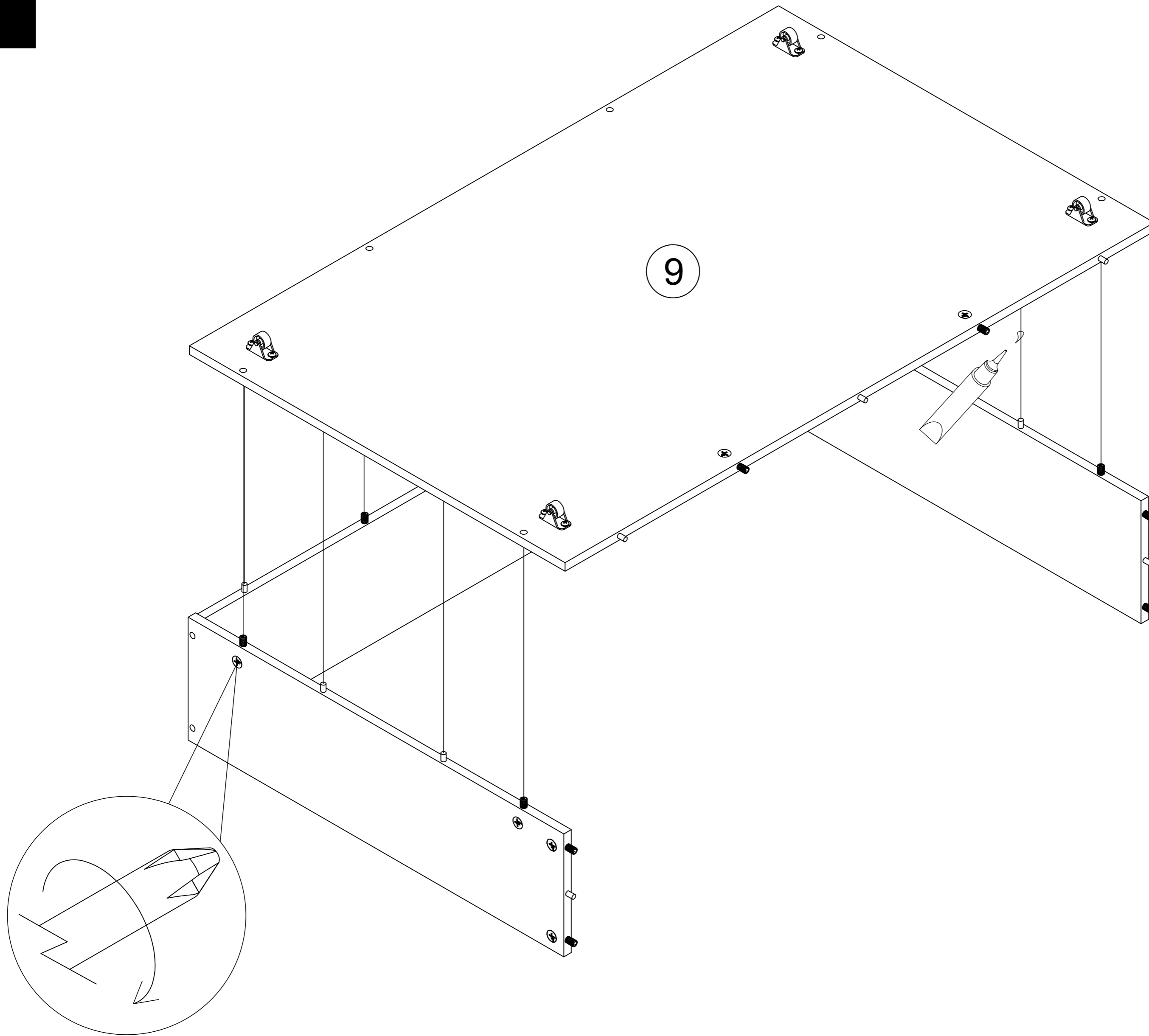
8



9

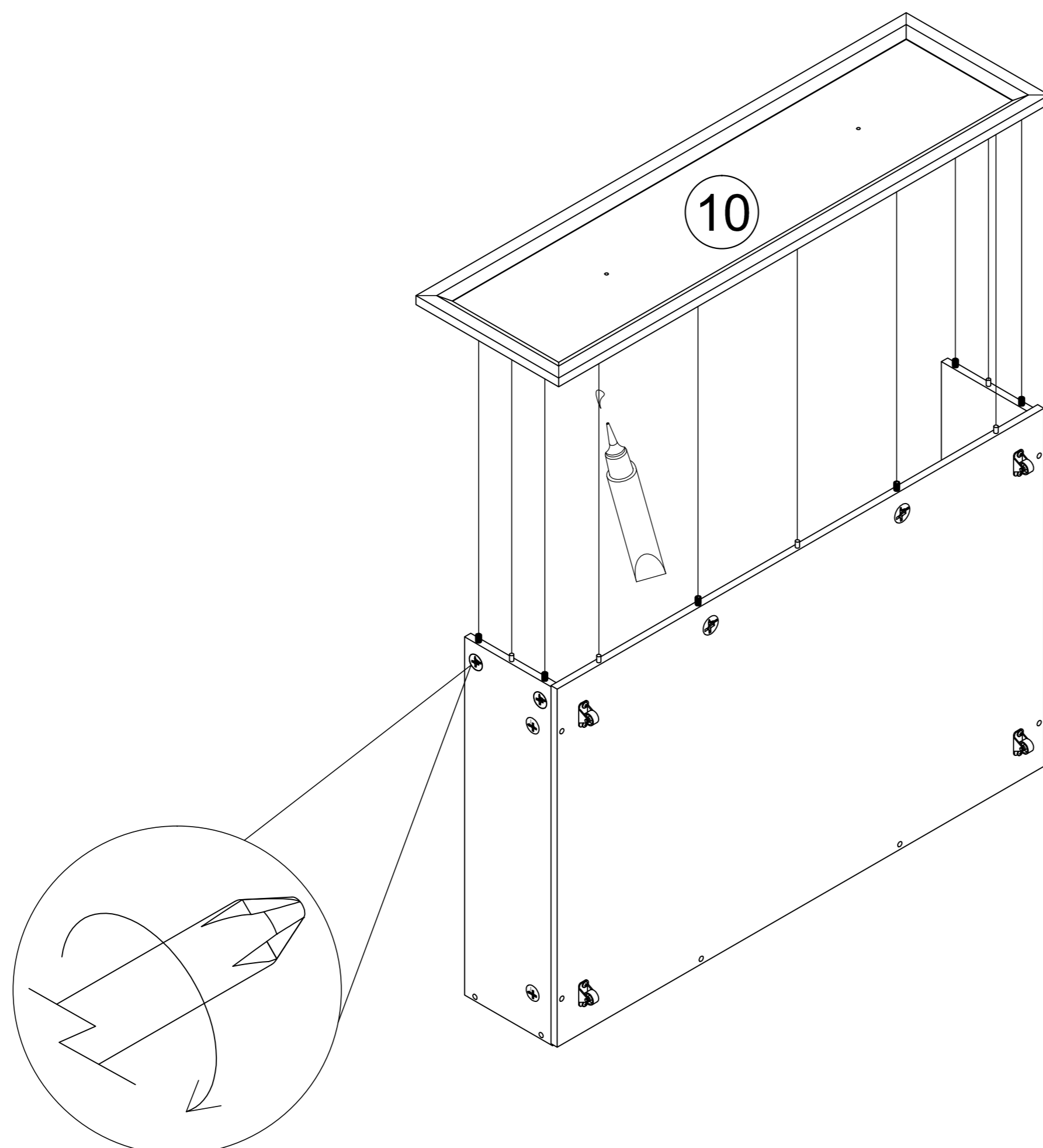


10

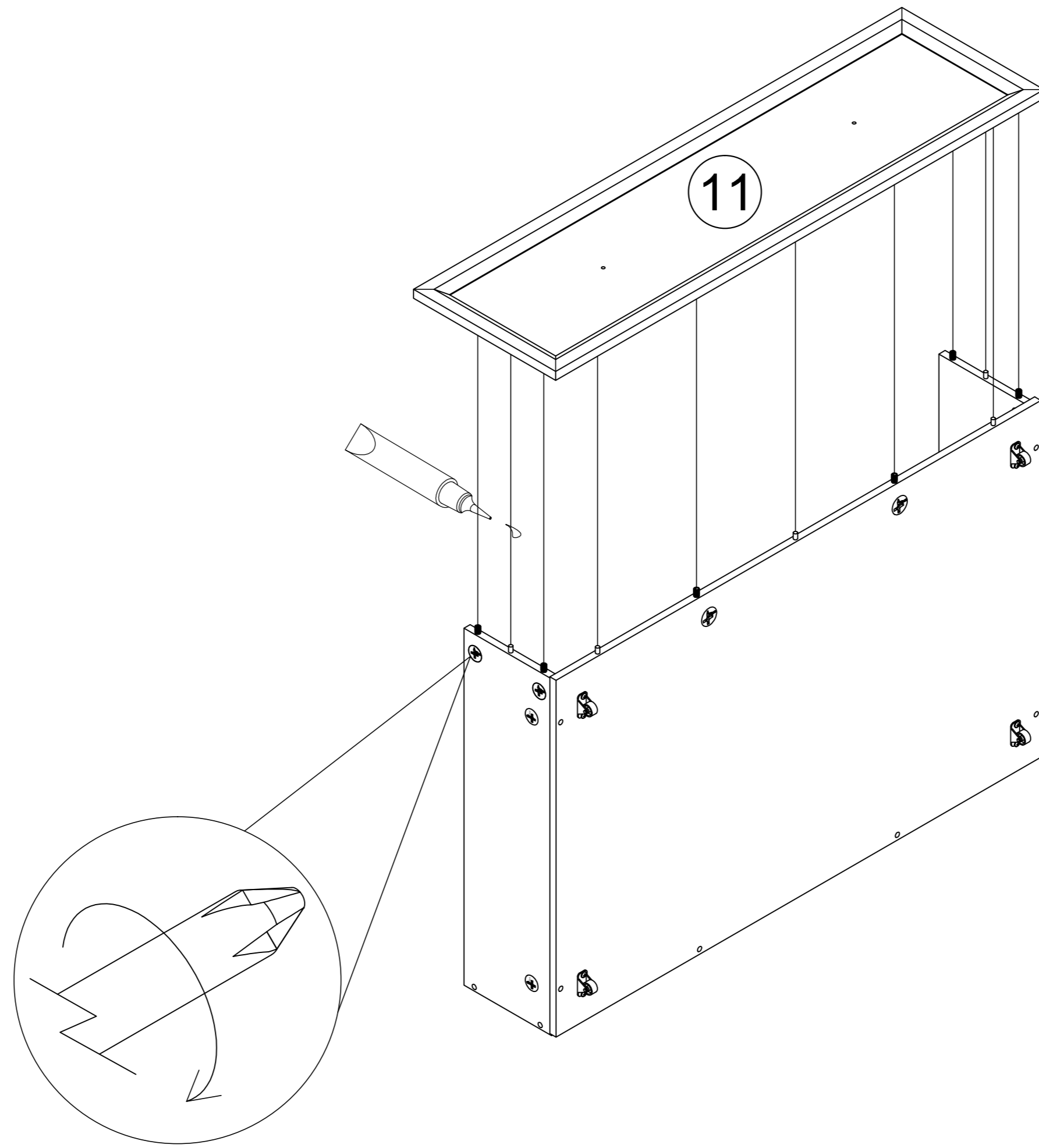


X 2

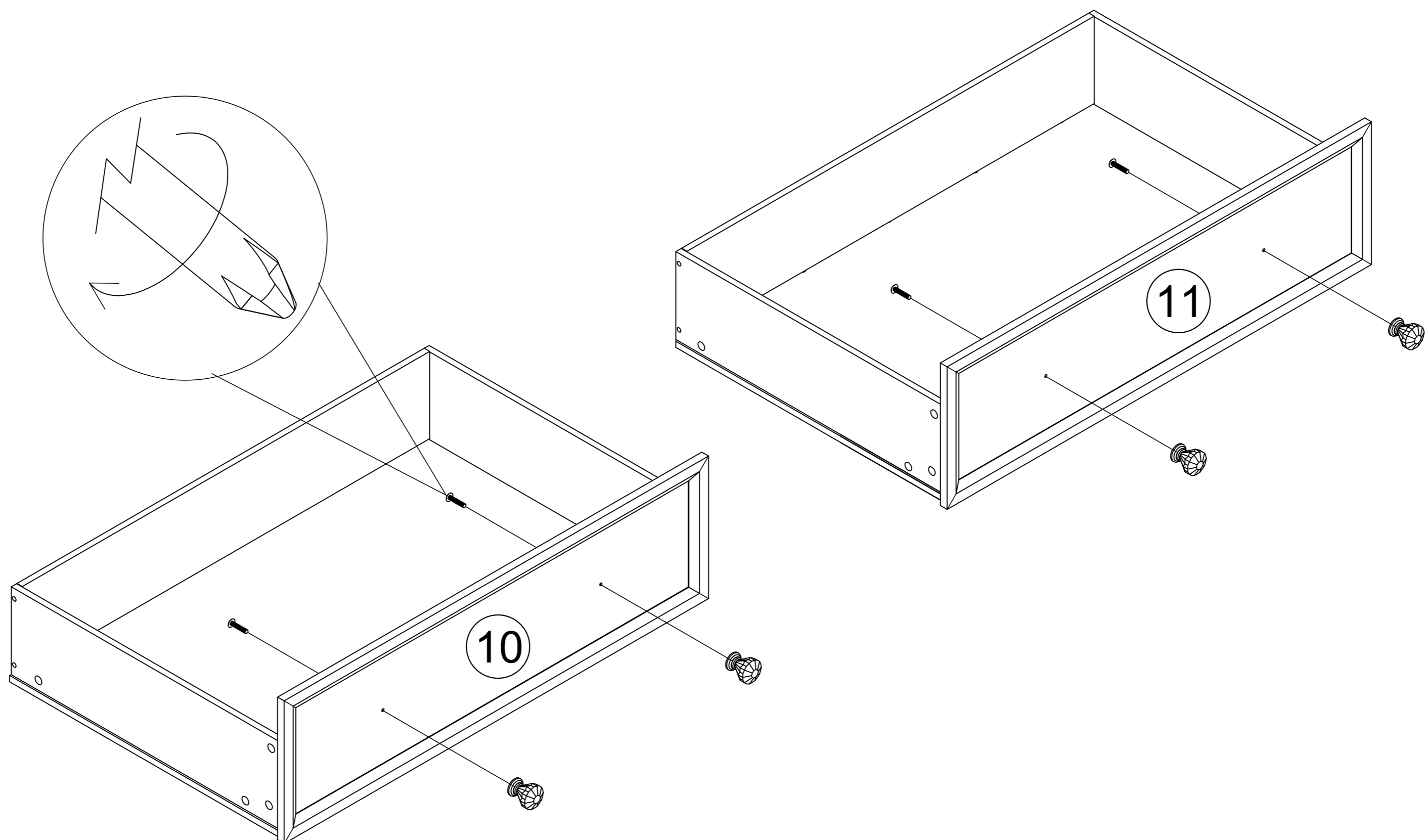
11

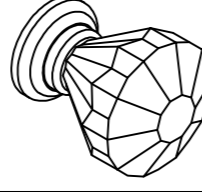
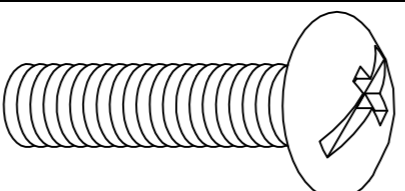
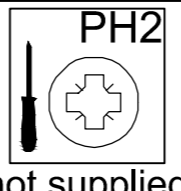


12

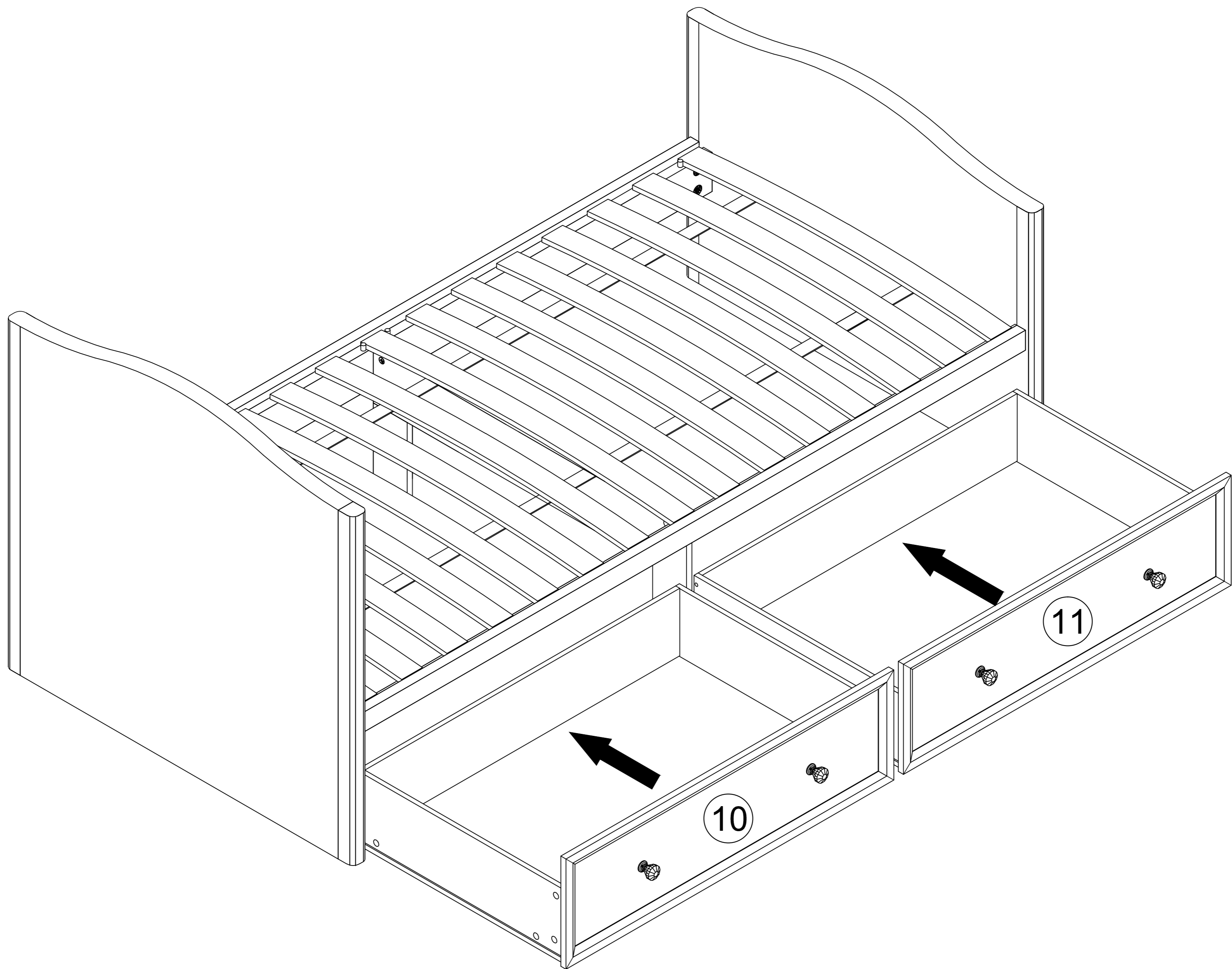


13



E1	N/A	4	
Z8	Ø4 x 18mm	4	  not supplied

14

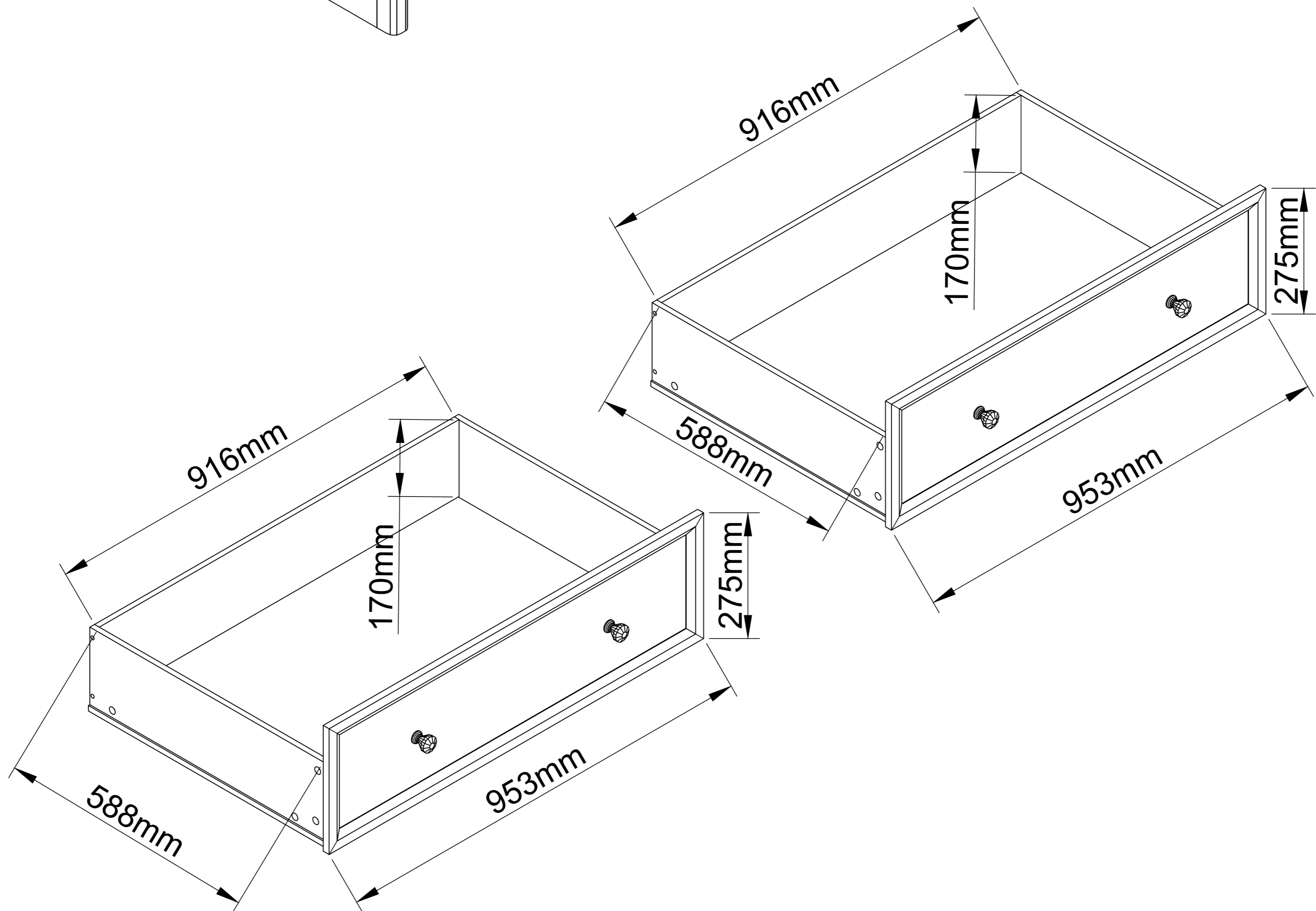
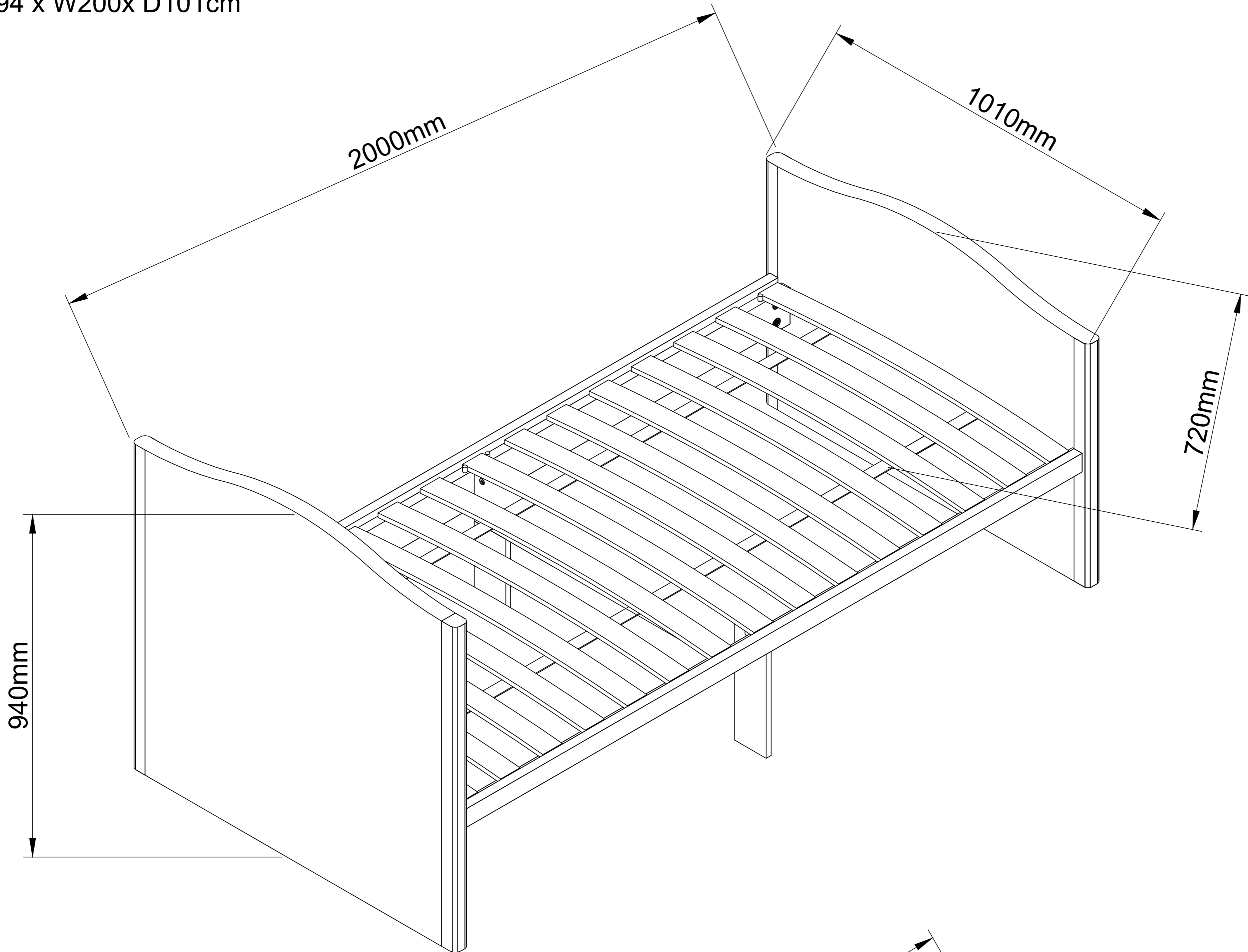


next

# AMELIA STORAGE BED

129380/892804/602379

Actual product size  
H94 x W200x D101cm



**This child's bed conforms to BS8509:2008+A1:2011**

### **WARNINGS**

**WARNING:** Do not place this child's bed near heat sources, windows and other furniture.

**WARNING:** Do not use this child's bed if any part is broken, torn or missing.

**WARNING:** Assembly by adult only.

**WARNING:** All assembly fittings should always be tightened properly and checked periodically.

**WARNING:** Not suitable for children under 4 years.

**WARNING:** Once assembled, this product is not intended to be disassembled

**WARNING:** Once assembled this bed is not designed to be disassembled and reassembled. Children are likely to play, bounce, jump and climb on beds, therefore the child's bed should not be placed too close to other furniture or windows, blind cords, curtain pulls or other strings or cords and should be placed either tight to any wall or have a gap of 300mm between the wall and the side of the bed. This size of the mattress to be used with the child's bed is 900mm x 1900mm.

### **Missing parts**

If you are missing any fixtures and fittings for your product. Please contact our customer service team on 0333 777 8999 and they will be happy to arrange for a replacement to be sent to you free of charge.

### **Home service technicians**

If you have a fault with your product, please contact our customer service team on 0333 777 8999. If you have had the product for 28 days or less you may be offered a replacement, refund or for a fully trained home service technician to visit your home to assess the fault and repair the product where possible. If you have had the product for more than 28 days we will send an independent home service technician to review and repair the product where possible and recommend further action.

### **You can write to us at**

Home Customer Services  
Next Retail Ltd.  
Desford Road,  
Leicester,  
LE19 4AT

**To view our full furniture range please visit [www.next.co.uk](http://www.next.co.uk)**