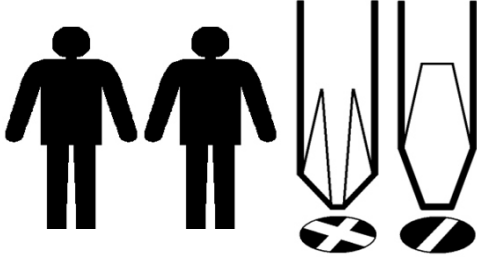


ASSEMBLY INSTRUCTIONS.**IMPORTANT - RETAIN FOR FUTURE REFERENCE - READ CAREFULLY.****Tools Needed****Helpline**

If you have any problems with this product or require any replacement fittings please contact Customer Services Tel: 0333 777 8999



Regrettably self assembly items cannot be returned once assembly is part or fully completed unless the item is found to be faulty. Should you need to return the unassembled product, please repack in the original packaging.

IMPORTANT

- We suggest you spend a short time reading through this leaflet and then follow the simple step by step instructions.
- Carefully check that you have all parts before beginning assembly.
- Keep fittings out of children's reach and keep children well away from the construction area.
- We recommend that the packaging is used to protect the surfaces during assembly.
- A minimum of 2 persons is required to assemble this product.
- Wall fixings are not included.
- The maximum load this shelf/these shelves can hold is 10 kg.
- Not suitable for use in bathrooms.
- We recommend the use of the wall attachment strap provided for safety reasons.
- Do not use this item if any structural part is broken or missing.

PRODUCT INFORMATION

- Made from MDF with painted finish.
- Made in Poland.

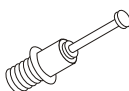


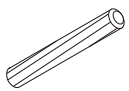





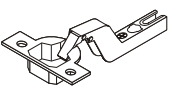
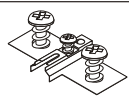
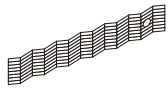
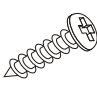


CARE INSTRUCTIONS

- For general cleaning, periodically dust with a soft cloth.
- Do not rub or scrub the surface when cleaning.
- Always use a non-silicone based furniture polish. Silicone in furniture polishes can break down the lacquer finish.
- Use non-silicone beeswax to maintain the shine.
- Do not use furniture polish.
- Use a furniture oil periodically to maintain the finish and prevent the oil from drying out.
- Any spills should be removed immediately with a soft clean damp cloth and dried immediately.
- Ensure the product is protected with mats and coasters when items are placed on the surfaces, to prevent scratching or damage.
- Do not put hot dishes directly on the surfaces of the item.
- Avoid keeping furniture in direct sunlight or close to any heat sources as this can cause cracking, discolouration or warping.
- Never drag pieces of furniture across the floor as this will cause damage to the joints.
- All assembly fixings should always be tightened properly and periodically check all fixings and tighten if necessary.

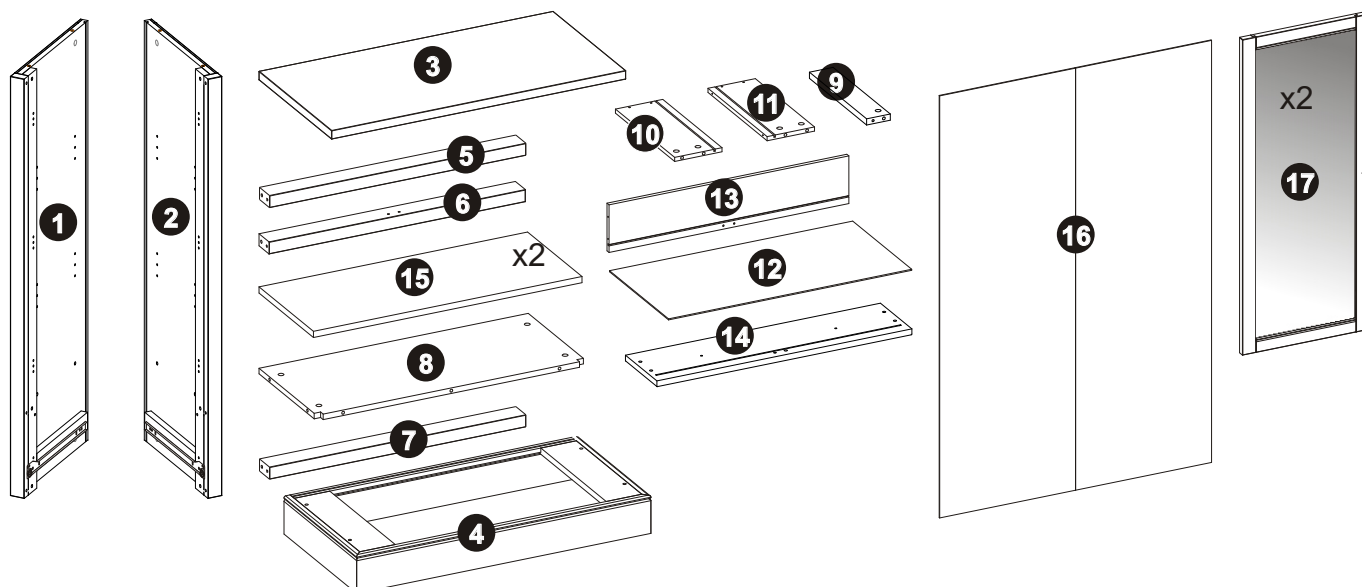
GLASS INFORMATION

- This item contains glass. Please handle with extreme care.
- BS 7449: 1991.
- This product contains toughened glass of nominal thickness of 4 mm conforming to class BS 6206 class A, B or C.

FITTINGS

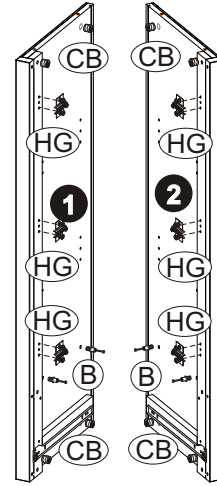
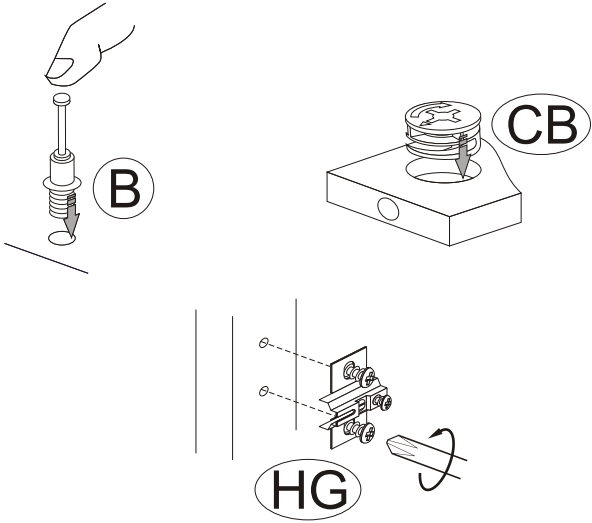
B x 26  ø8x36 mm Cambolt	CA x 4  ø15x12 mm Camlock	CB x 22  ø15x15 mm Camlock	D x 7  ø5,8x36 mm Wooden Dowel	EB x 12  ø4x16 mm Screw	EC x 10  ø4x25 mm Screw	F x 20  Panel Fixator	G x 4  D9,5 ø4x25 mm Screw
H x 4  Handle	HB x 6  ø26mm kr 17 Cabinet Hinge	HG x 6  Guide Hinge	QA x 1  13x150 mm Strap	QC x 1  ø4x14 mm Screw	QB x 2  Washer	S x 12  Pin	

PARTS



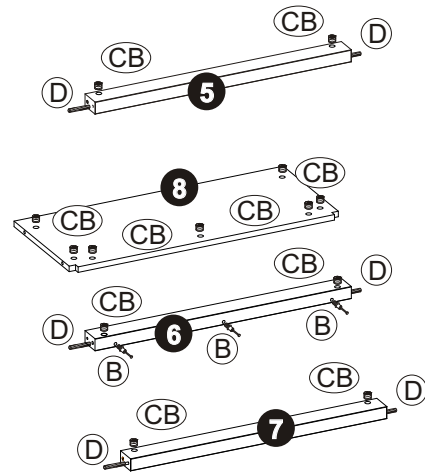
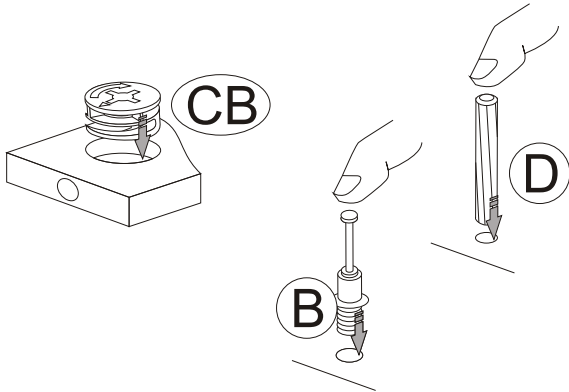
STEP ONE

1. Insert 4 x cambolts (B) into side panels 1 & 2.
2. Insert 8 x camlocks (CB) into side panels 1 & 2.
3. Insert 6 x guide hinges (HG) into side panels 1 & 2.



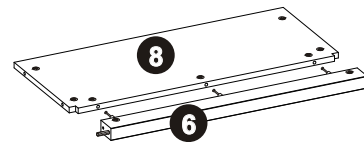
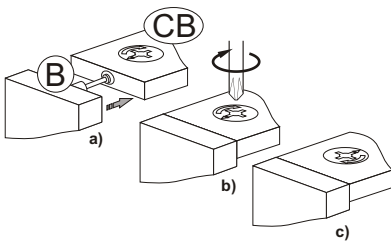
STEP TWO

1. Insert 6 x camlocks (CB) into rails 5 & 6 & 7.
2. Insert 6 x wooden dowels (D) into side rails 5 & 6 & 7.
3. Insert 3 x cambolts (B) into side rail 6.
4. Insert 7 x camlocks (CB) partition 8.



STEP THREE

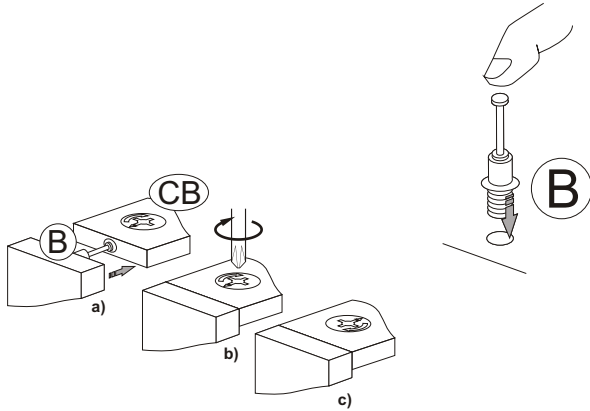
1. Attach rail 6 on to partition 8 and tighten the camlocks (CB) to lock cambolts (B).



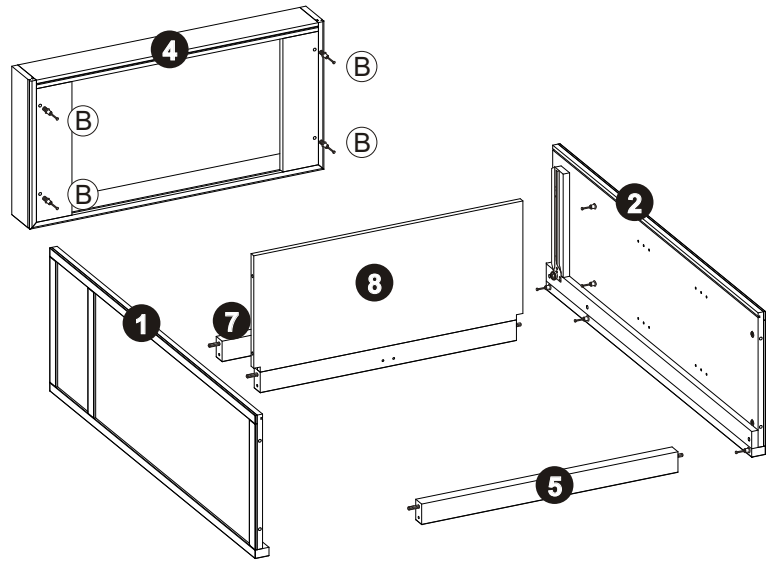
Ensure the arrow indicators are pointing towards the panel edges when inserting before tightening with a screwdriver.

STEP FOUR

1. Insert 4 x cambolts (B) into bottom panel 4.
2. Attach rails 5 & 7 and partition 8 to side panels 1 & 2 and tighten the camlocks (CB) to lock cambolts (B).
3. Attach bottom panel 4 to the assembled unit and tighten the camlocks (CB) to lock cambolts (B).

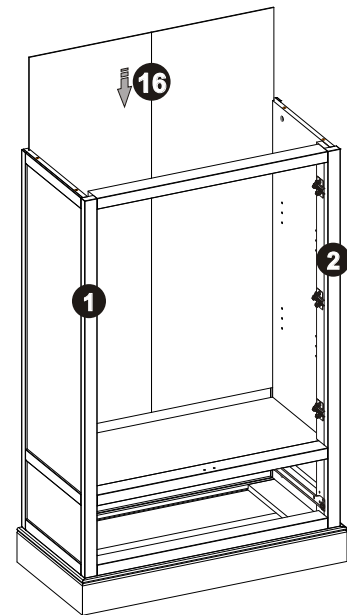


Ensure the arrow indicators are pointing towards the panel edges when inserting before tightening with a screwdriver.



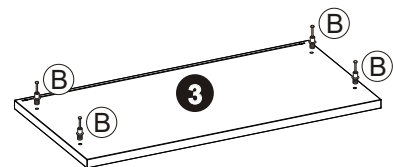
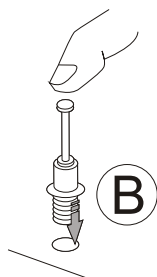
STEP FIVE

1. Place back panel 16 into the grooves in the back of the side panels 1 & 2.



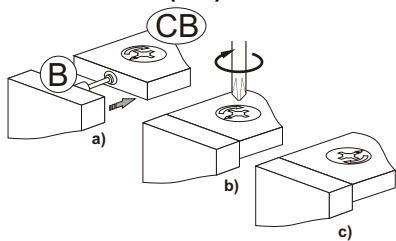
STEP SIX

1. Insert 4 x cambolts (B) into top panel 3.

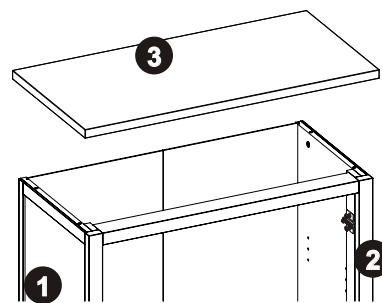


STEP SEVEN

1. Attach top panel 3 to the assembled unit and tighten the camlocks (CB) to lock cambolts (B).

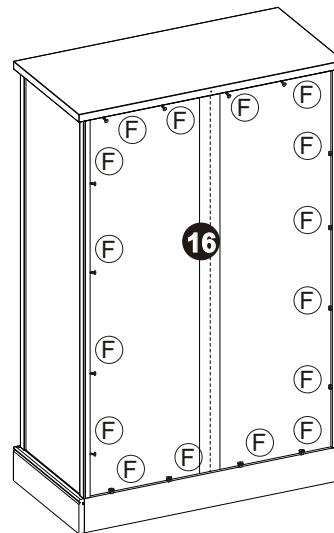
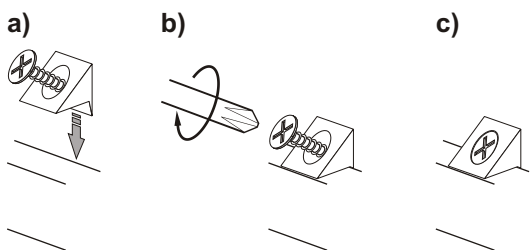


Ensure the arrow indicators are pointing towards the panel edges when inserting before tightening with a screwdriver.



STEP EIGHT

1. Secure back panel 16 using 16 x panel fixators (F) as shown on the picture.

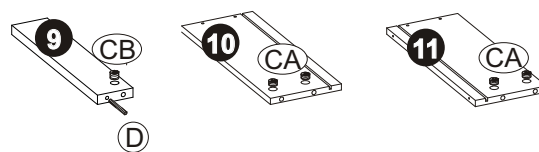
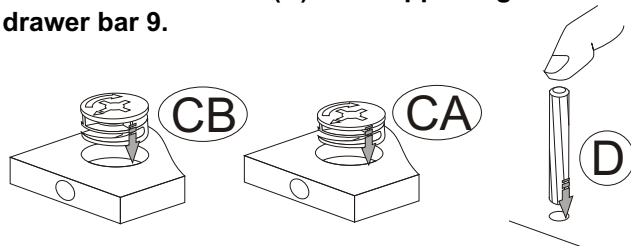


STEP NINE

1. Insert 4 x camlocks (CA) into drawer side panels 10 & 11.

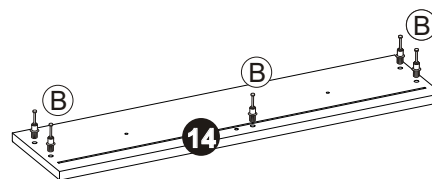
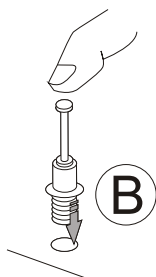
2. Insert camlock (CB) into supporting bottom drawer bar 9.

3. Insert wood dowel (D) into supporting bottom drawer bar 9.



STEP TEN

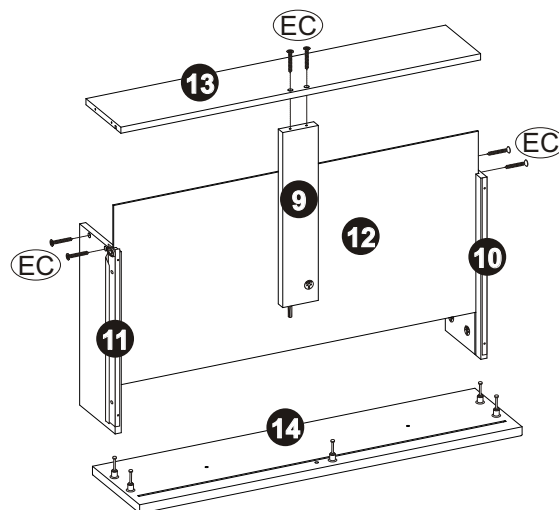
1. Insert 5 x cambolts (B) into drawer front panel 14.



STEP ELEVEN

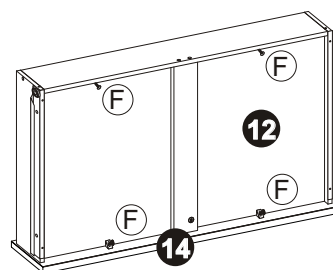
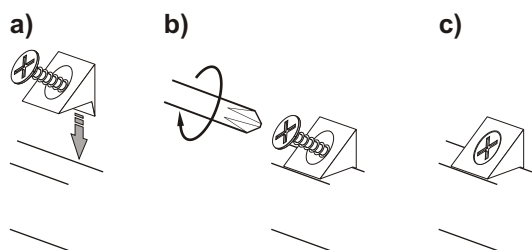
1. Attach drawer side panels 10 & 11 to drawer front 14 and tighten the camlocks (CA) to lock cambolts (B).
2. Attach supporting bottom drawer bar 9 to drawer front 14 tighten the camlocks (CB) to lock cambolt (B).
3. Slide drawer bottom panel 12 into the grooves in the drawer side panel 10 & 11.
4. Attach drawer back panel 13 to drawer side panels 10 & 11 and to supporting bottom drawer bar 9 using 6 x screws (EC) and tighten with a screwdriver.

Ensure the arrow indicators are pointing towards the panel edges when inserting before tightening with a screwdriver.



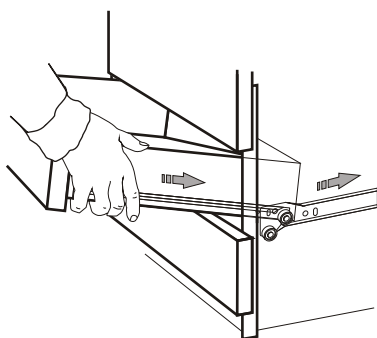
STEP TWELVE

1. Secure drawer bottom panel 12 using 4 x panel fixators (F) as shown on the picture.

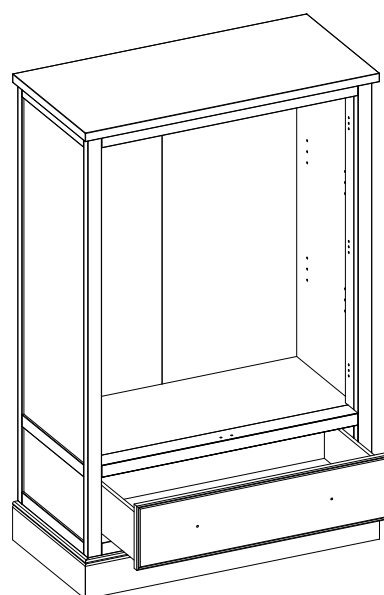
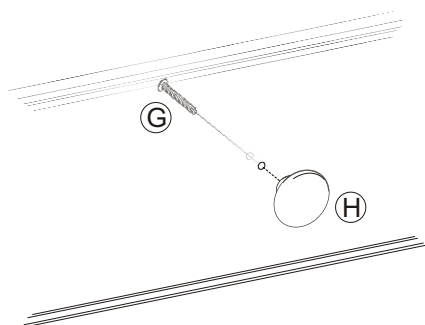


STEP THIRTEEN

1. Insert drawer into the assembled unit.

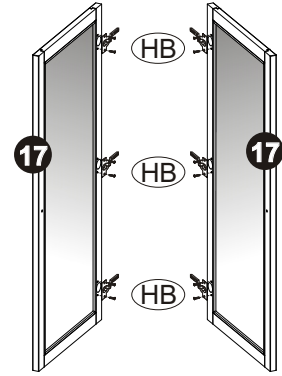
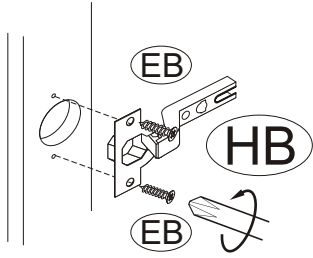


2. Attach 2 x handles (H) to drawer front panel using 2 x screws (G) and tighten with a screwdriver.



STEP FOURTEEN

1. Attach 6 x hinges (HB) to the doors 17(x2) using 12 x screws (EB) and tighten with a screwdriver.

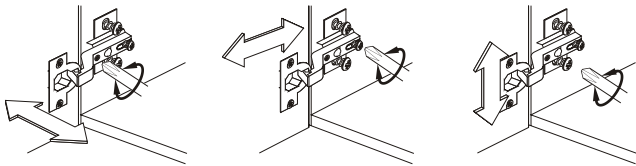


STEP FIFTEEN

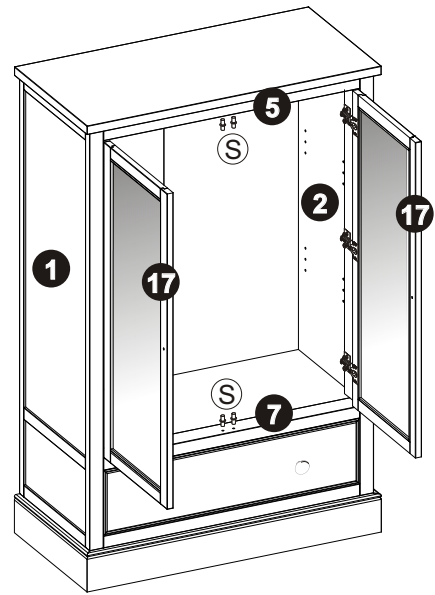
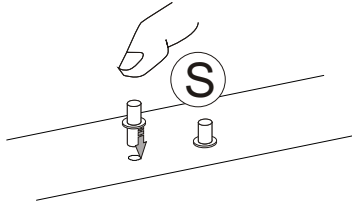
1. Attach the doors 17(x2) to side panels 1 & 2. Insert cabinet hinge (HB) to guide hinge (HG) and tighten with a screwdriver.

2. Adjust the hinges

- a) side to side b) front to back c) up & down

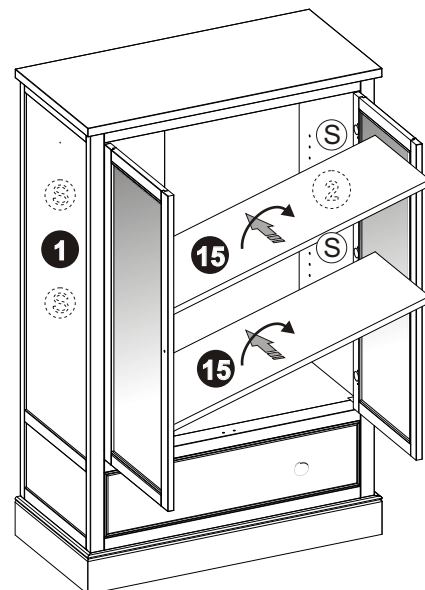


3. Insert 4 x pins (S) to rails 5 & 7.



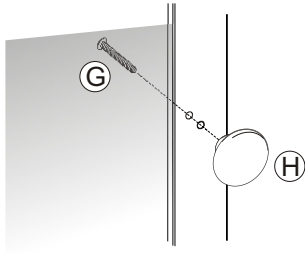
STEP SIXTEEN

1. Insert 8 x pins (S) into side panels 1 & 2.
2. Place the shelves 15(x2) on the shelf supports.

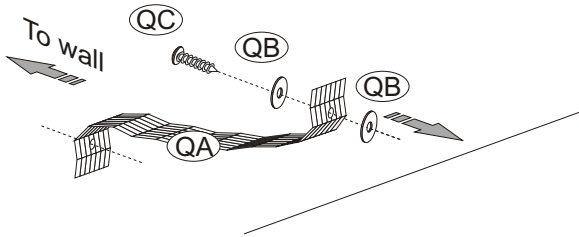


STEP SEVENTEEN

1. Attach 2 x handles (H) to doors using 2 x screws (G) and tighten with a screwdriver.



2. Attach wall strap (QA) to the assembled unit using 2 x washer (QB) and 1 x screw (QC).



WARNING: Always ensure the area to be drilled is free from hidden electrical wires, water and gas pipes.

NOTE: Wall fixings are not included, please source suitable fixings for your wall type. If in doubt please consult a qualified trades person.

