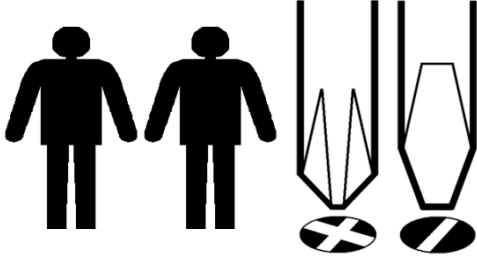
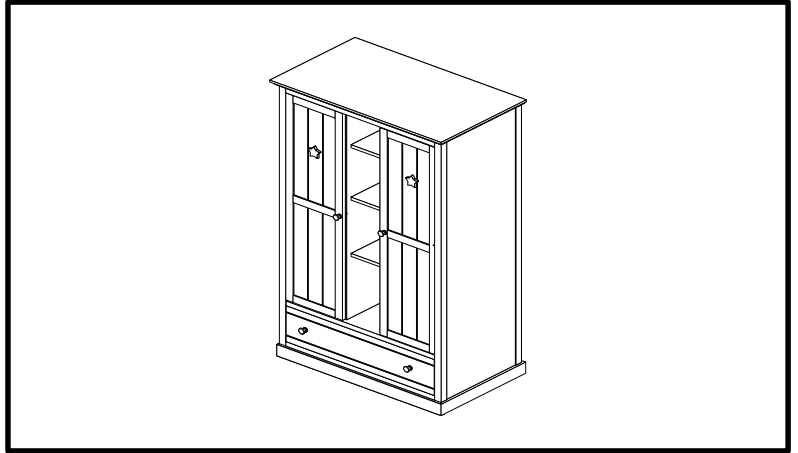


**ASSEMBLY INSTRUCTIONS.****IMPORTANT - RETAIN FOR FUTURE REFERENCE - READ CAREFULLY.****Tools Needed****Helpline**

If you have any problems with this product or require any replacement fittings please contact Customer Services Tel: 0844 844 8999



Regrettably self assembly items cannot be returned once assembly is part or fully completed unless the item is found to be faulty. Should you need to return the unassembled product, please repack in the original packaging.

**IMPORTANT**

- We suggest you spend a short time reading through this leaflet and then follow the simple step by step instructions.
- Carefully check that you have all parts before beginning assembly.
- Keep fittings out of children's reach and keep children well away from the construction area.
- We recommend that the packaging is used to protect the surfaces during assembly.
- A minimum of 2 persons is required to assemble this product.
- Wall fixings are not included.
- Not suitable for use in bathrooms.
- We recommend the use of the wall attachment bracket/strap provided for safety reasons.
- Do not use this item if any structural part is broken or missing.

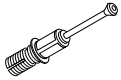





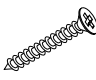

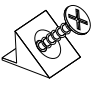


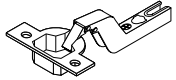
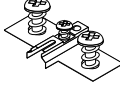


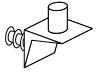
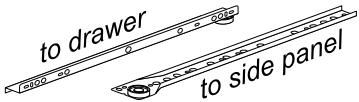
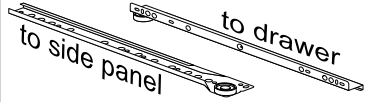




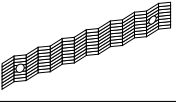
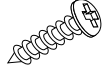

**PRODUCT INFORMATION**

- Made from MDF with painted finish.
- Made in Poland.

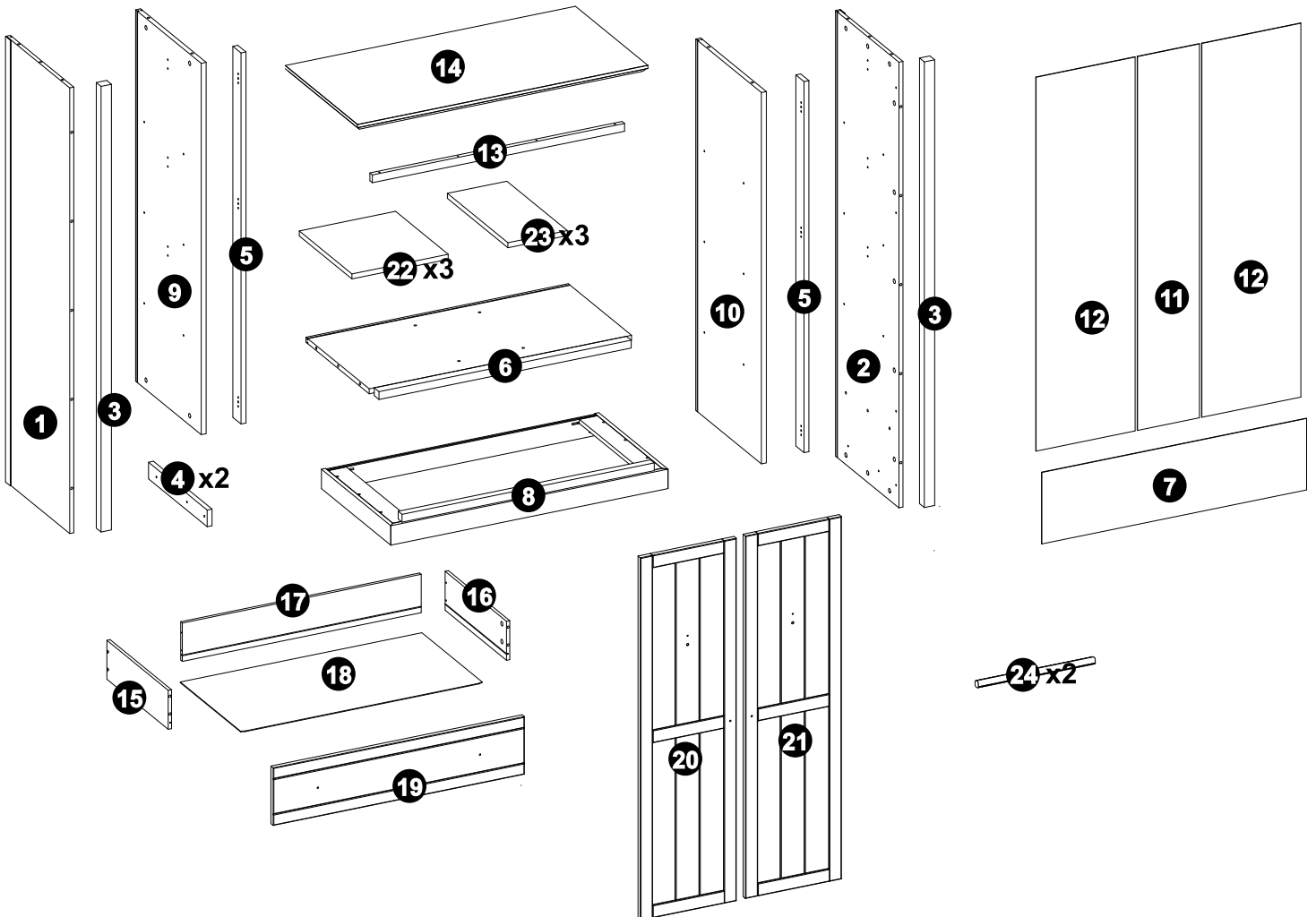
**CARE INSTRUCTIONS**

- For general cleaning, periodically dust with a soft cloth.
- Do not rub or scrub the surface when cleaning.
- Always use a non-silicone based furniture polish. Silicone in furniture polishes can break down the lacquer finish.
- Use non-silicone beeswax to maintain the shine.
- Do not use furniture polish.
- Use a furniture oil periodically to maintain the finish and prevent the oil from drying out.
- Any spills should be removed immediately with a soft clean damp cloth and dried immediately.
- Ensure the product is protected with mats and coasters when items are placed on the surfaces, to prevent scratching or damage.
- Do not put hot dishes directly on the surfaces of the item.
- Avoid keeping furniture in direct sunlight or close to any heat sources as this can cause cracking, discolouration or warping.
- Never drag pieces of furniture across the floor as this will cause damage to the joints.
- All assembly fixings should always be tightened properly and periodically check all fixings and tighten if necessary.

# FITTINGS

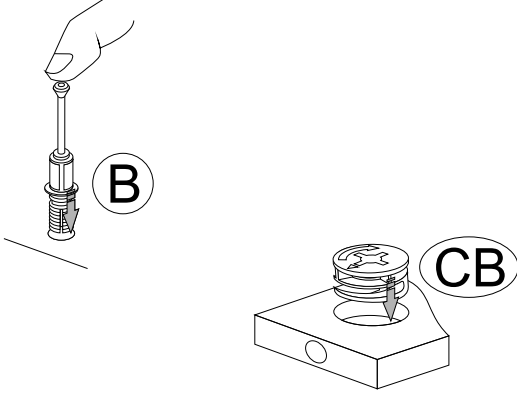
<b>B x 40</b>  ø8x42 mm Cambolt	<b>CA x 4</b>  ø15x12 mm Camlock	<b>CB x 36</b>  ø15x15 mm Camlock	<b>DD x 2</b>  ø8x12 mm Dowel	<b>EA x 4</b>  ø4x12 mm Screw	<b>EB x 12</b>  ø4x16 mm Screw	<b>EC x 4</b>  ø4x25 mm Screw	<b>EF x 4</b>  ø4x40 mm Screw	
<b>F x 28</b>  Panel Fixator	<b>G x 4</b>  D9,5 ø4x25 mm Screw	<b>H x 4</b>  Handle	<b>HB x 6</b>  ø26mm kr 17 Cabinet Hinge	<b>HG x 6</b>  Guide Hinge	<b>HR x 4</b>  Hanging Rail Holder	<b>KE x 12</b>  ø6,3x28 mm Screw	<b>L x 24</b>  Shelf Support	
<b>SL x 1</b>  to drawer to side panel 450 mm Drawer Slides Left		<b>SR x 1</b>  to side panel to drawer 450 mm Drawer Slides Right		<b>SB x 2</b>  Football	<b>SH x 2</b>  Heart	<b>SS x 2</b>  Star	<b>TA x 6</b>  D9,5 ø3,5x13 mm Screw	
<b>QA x 1</b>  13x150 mm Strap	<b>QC x 1</b>  ø4x14 mm Screw	<b>QB x 2</b>  Washer						

# PARTS

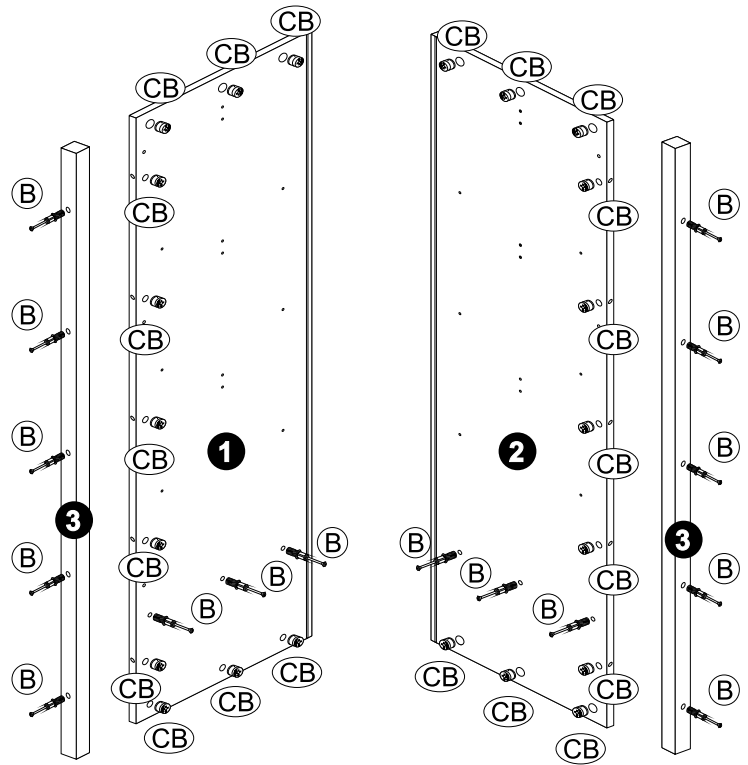


# STEP ONE

1. Insert 6 x cambolts (B) into side panels 1 & 2.
2. Insert 22 x camlocks (CB) into side panels 1 & 2.
3. Insert 10 x cambolts (B) into rails 3(x2).

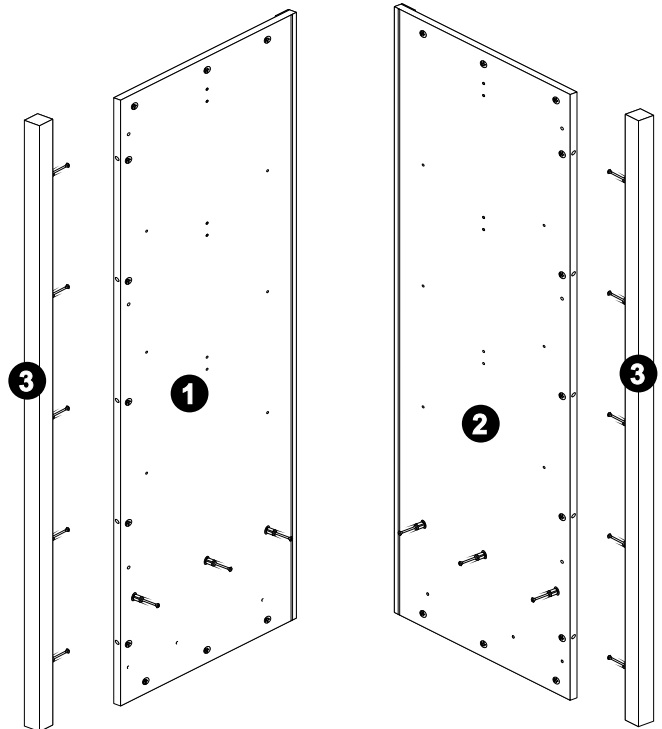
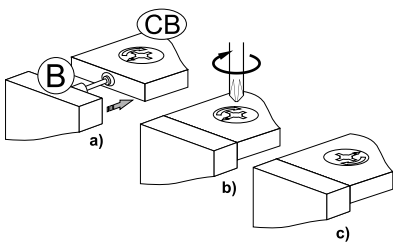


Ensure the arrow indicators are pointing towards the panel edges when inserting before tightening with a screwdriver.



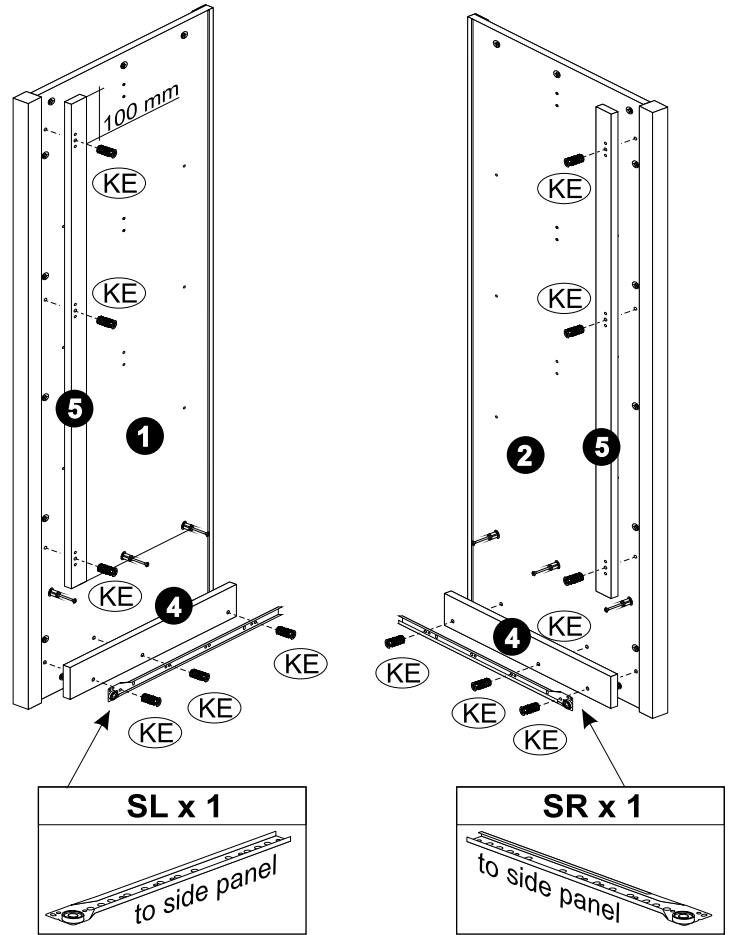
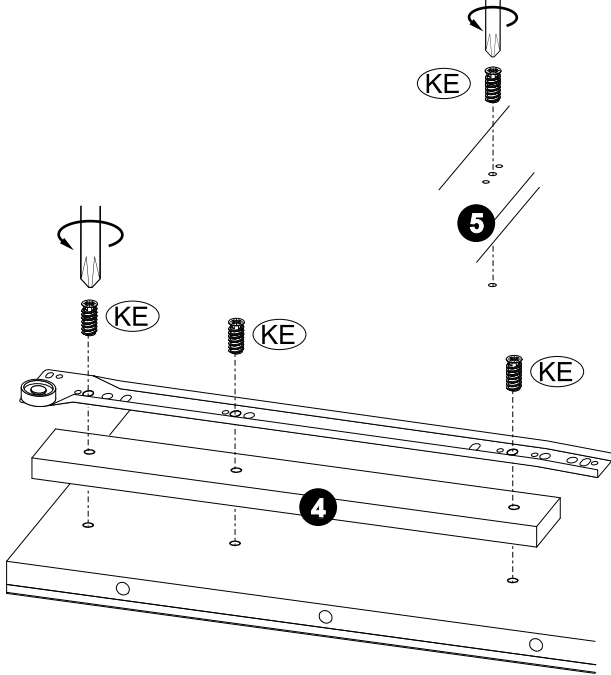
# STEP TWO

1. Attach rails 3(x2) to side panels 1 & 2 and tighten the camlocks (CB) to lock cambolts (B).



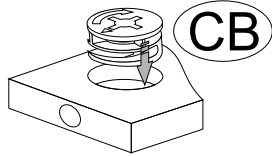
## STEP THREE

1. Attach drawer slide (SL) with rail 4 to side panel 1 using 3 x screws (KE) and tighten with a screwdriver.
2. Attach drawer slide (SR) with rail 4 to side panel 2 using 3 x screws (KE) and tighten with a screwdriver.
3. Attach rails 5(x2) to side panels 1 & 2 using 6 x screws (KE) and tighten with a screwdriver.

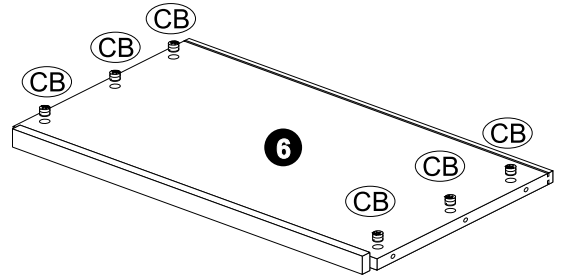


## STEP FOUR

1. Insert 6 x camlocks (CB) into partition 6.

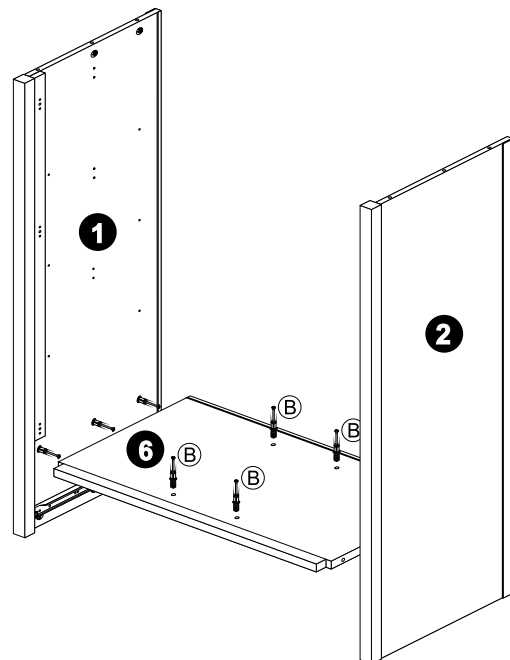
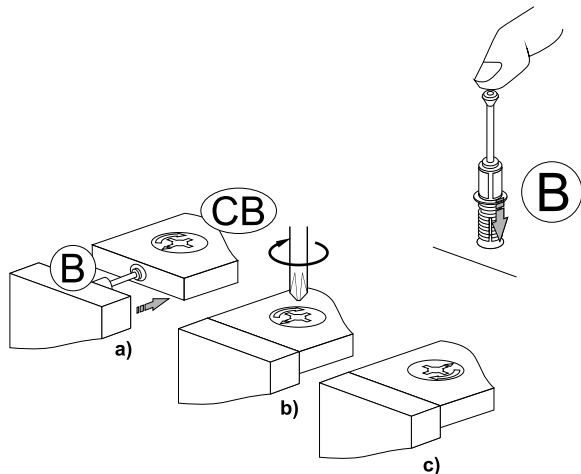


Ensure the arrow indicators are pointing towards the panel edges when inserting before tightening with a screwdriver.



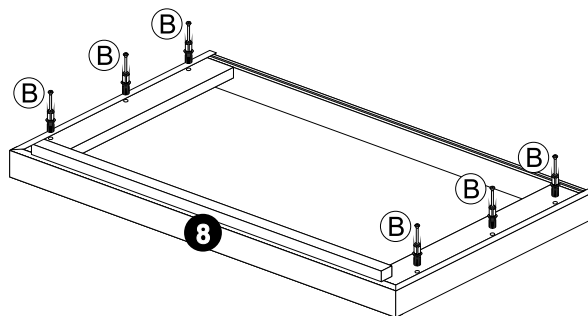
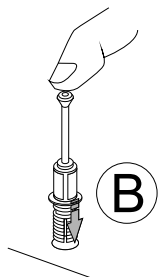
## STEP FIVE

1. Attach partition 6 to side panels 1 & 2 and tighten the camlocks (CB) to lock cambolts (B).
2. Insert 4 x cambolts (B) into partition 6.



## STEP SIX

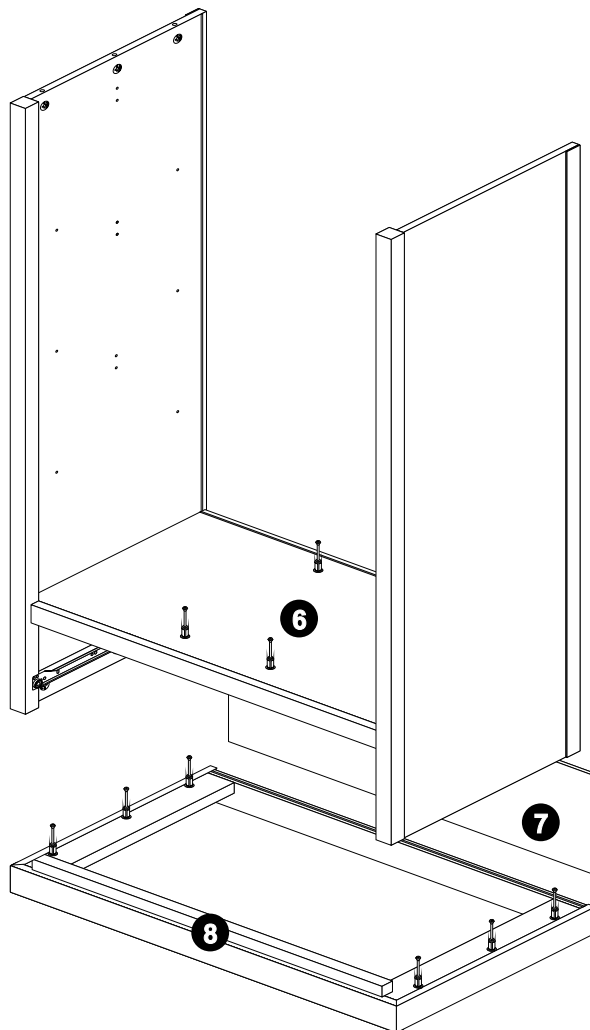
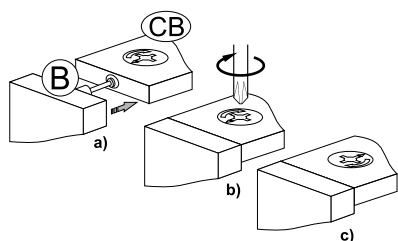
1. Insert 6 x cambolts into bottom panel 8.



## STEP SEVEN

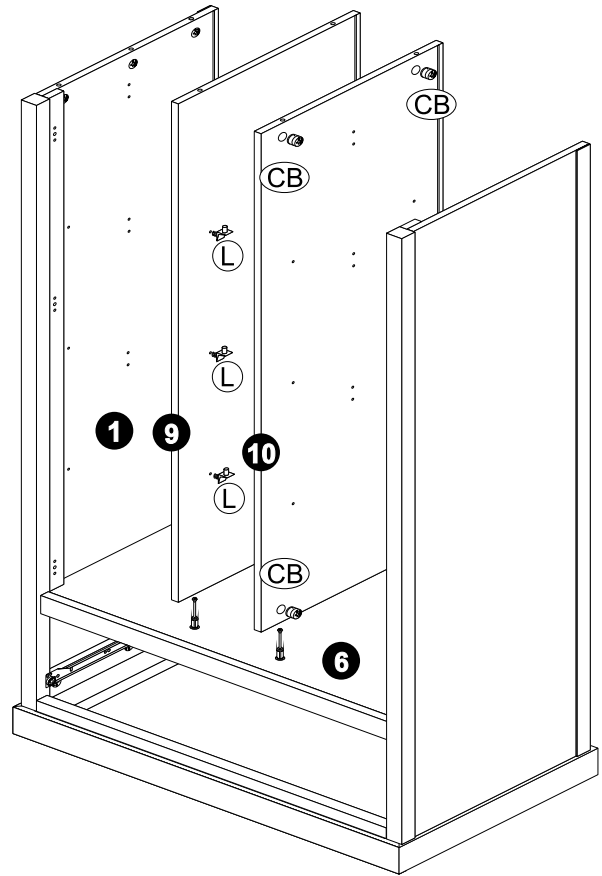
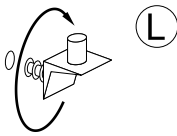
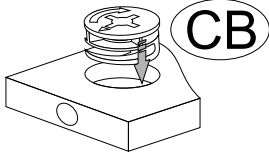
1. Place back panel 7 into the grooves in the back of the side panels 1 & 2 and partition 6.

2. Attach bottom panel 8 to the assembled unit and tighten the camlocks (CB) to lock cambolts (B).



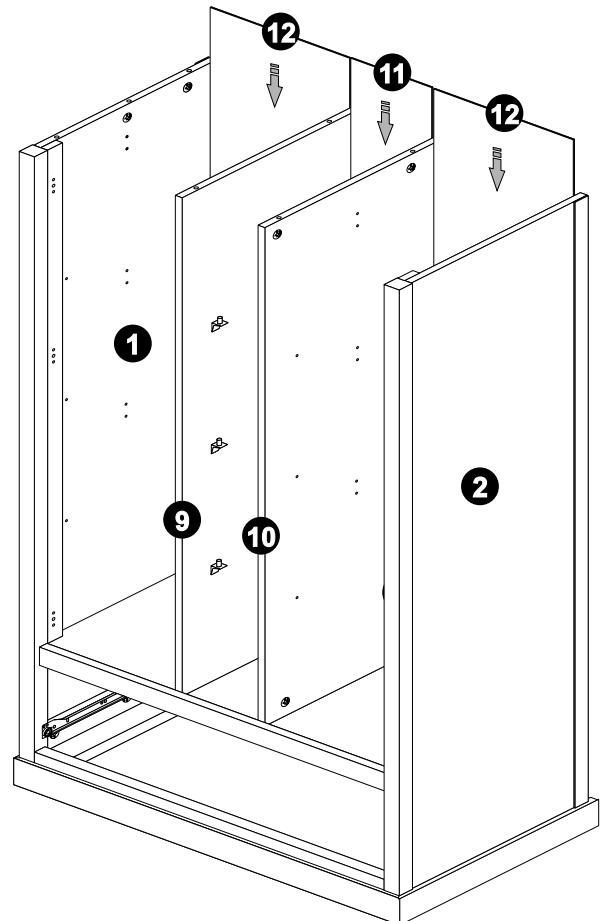
## STEP EIGHT

1. Insert 8 x camlocks (CB) into partitions 9 & 10.
2. Insert 12 x shelf supports (L) into partitions 9 & 10 on the otherside and tighten with a screwdriver.
3. Attach partitions 9 & 10 to the assembled unit.



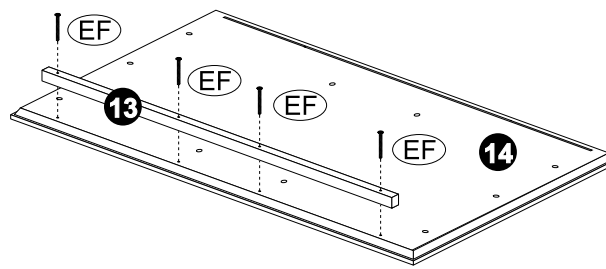
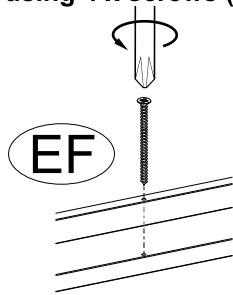
## STEP NINE

1. Place back panels 12(x2) into the grooves in the back of the side panels 1 & 2 and the grooves in the back of the partitions 9 & 10.
2. Place back panel 11 the grooves in the back of the partitions 9 & 10.



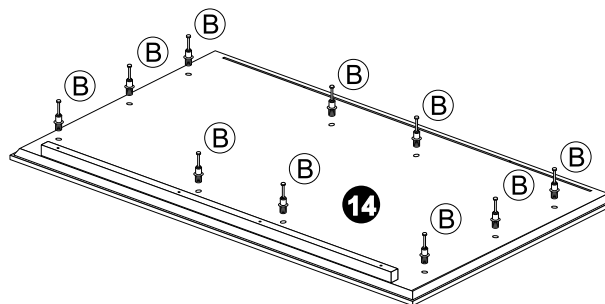
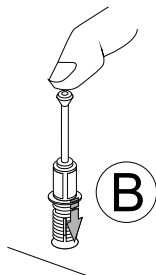
## STEP TEN

1. Attach rail 13 to top panel 14 using 4 x screws (EF) and tighten a screwdriver.



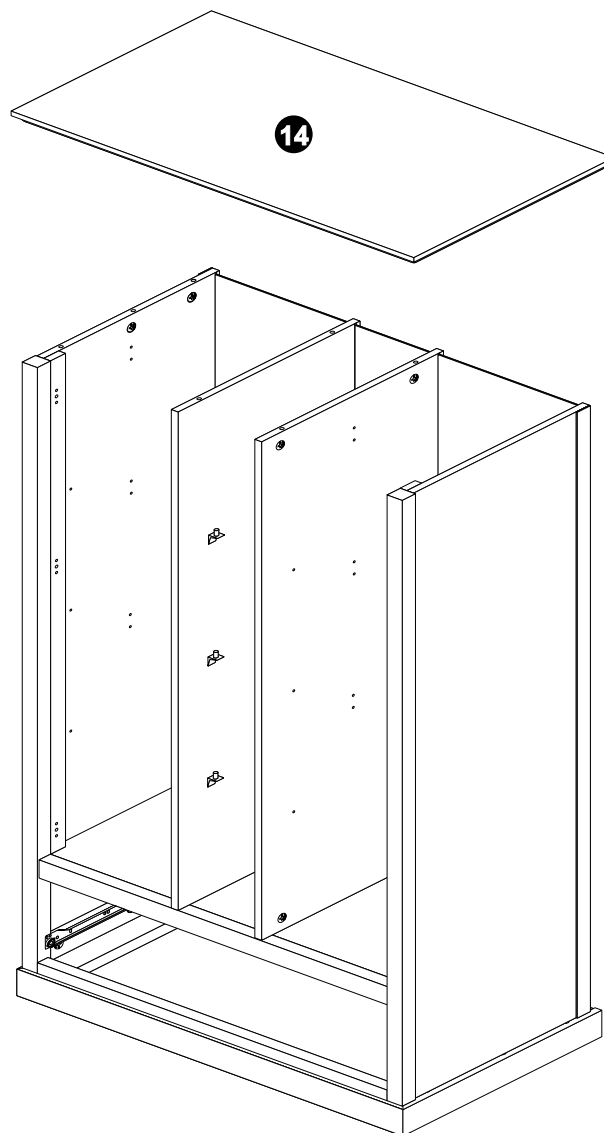
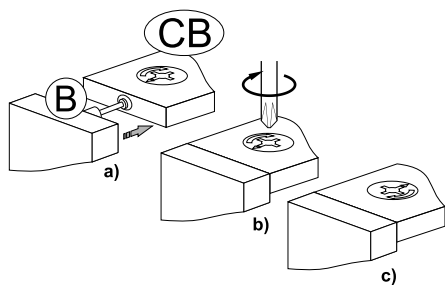
## STEP ELEVEN

1. Insert 10 x cambolts (B) into top panel 14.



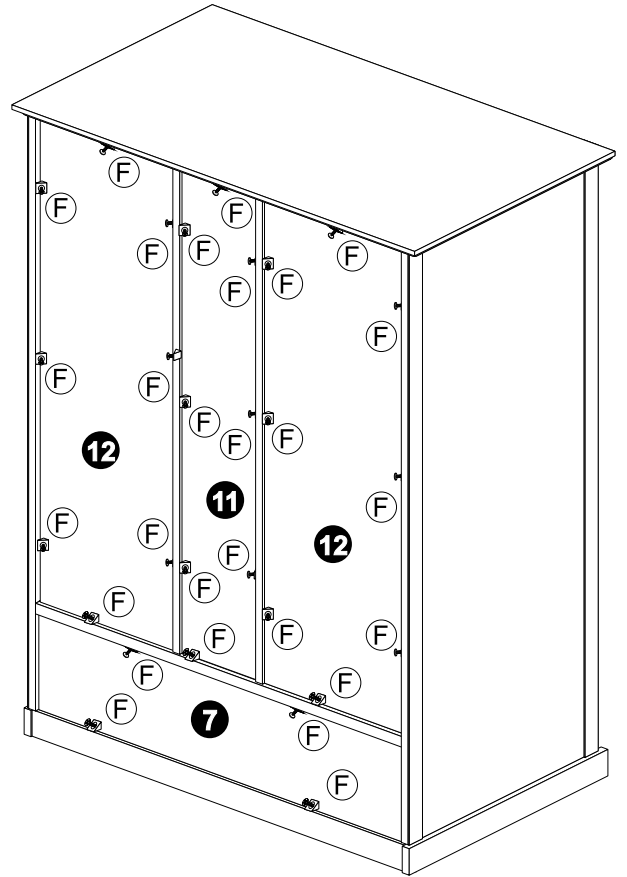
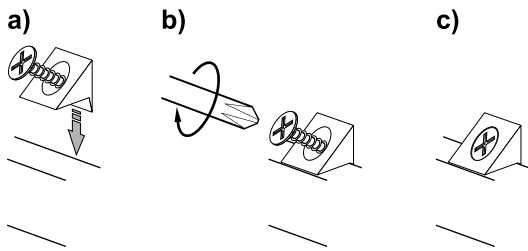
## STEP TWELVE

1. Attach top panel 14 to the assembled unit and tighten the camlocks (CB)&(CC) to lock cambolts (B).



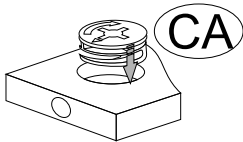
## STEP THIRTEEN

1. Secure back panels 12(x2) using 16 x panel fixators (F) as shown on the picture.
2. Secure back panel 11 using 8 x panel fixators (F) as shown on the picture.
3. Secure back panel 7 using 4 x panel fixators (F) as shown on the picture.

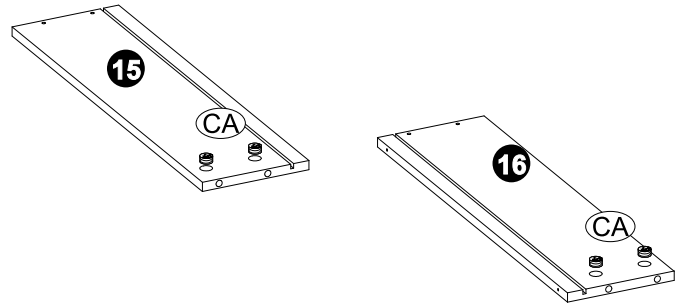


## STEP FOURTEEN

1. Insert 4 x camlocks (CA) into drawer side panels 15 & 16.

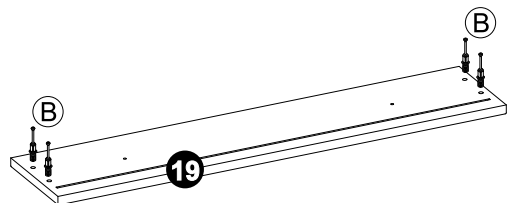
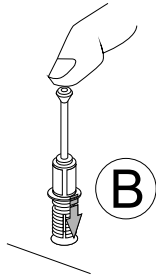


Ensure the arrow indicators are pointing towards the panel edges when inserting before tightening with a screwdriver.



## STEP FIFTEEN

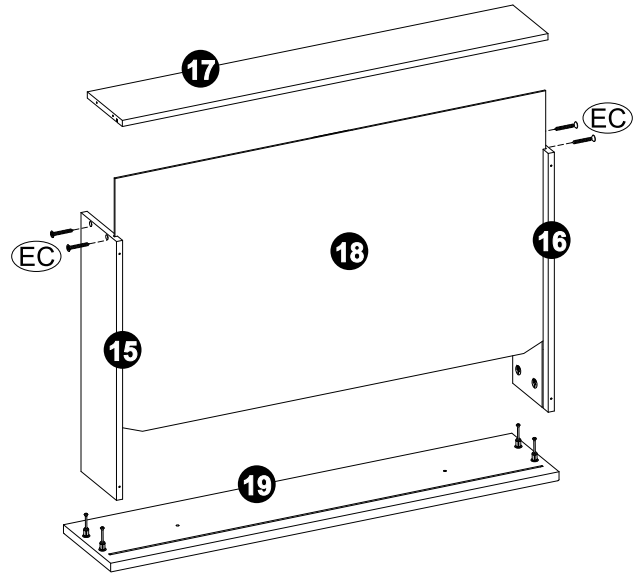
1. Insert 4 x cambolts (B) into drawer front panel 19.





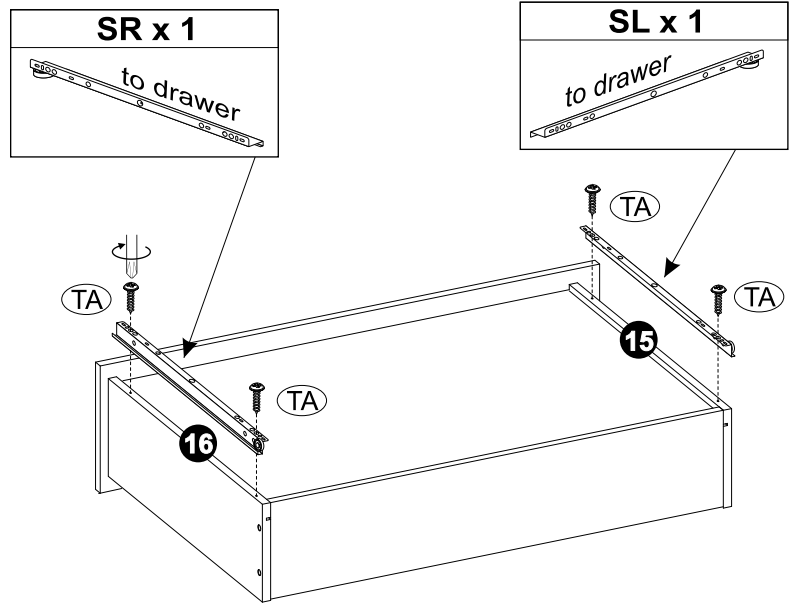
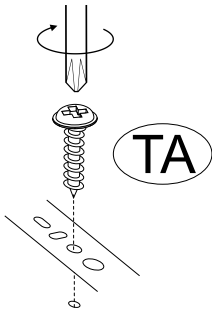
## STEP SIXTEEN

1. Attach drawer side panels 15 & 16 to drawer front 19 and tighten the camlocks (CA) to lock cambolts (B).
2. Slide drawer bottom panel 18 into the grooves in the drawer side panel 15 & 16.
3. Attach drawer back panel 17 to drawer side panels 15 & 16 using 4 x screws (EC) and tighten with a screwdriver.



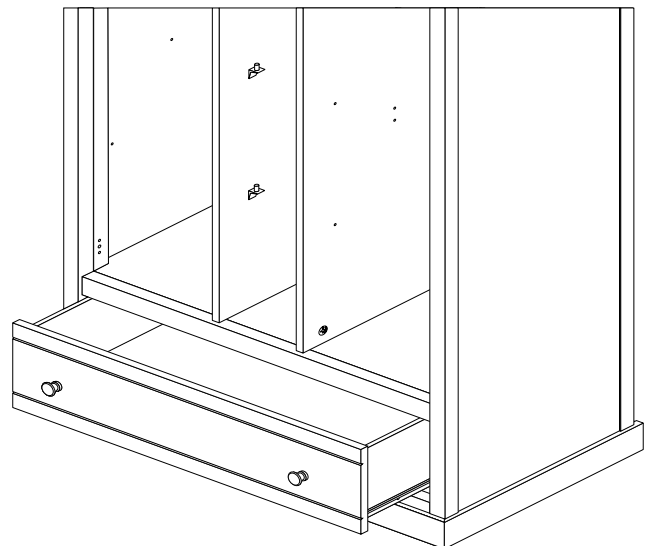
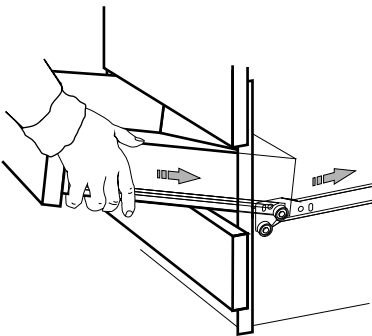
## STEP SEVENTEEN

1. Attach drawer slide (SL) to left drawer side 15 using 2 x screws (TA) and tighten with a screwdriver.
2. Attach drawer slide (SR) to right drawer side 16 using 2 x screws (TA) and tighten with a screwdriver.



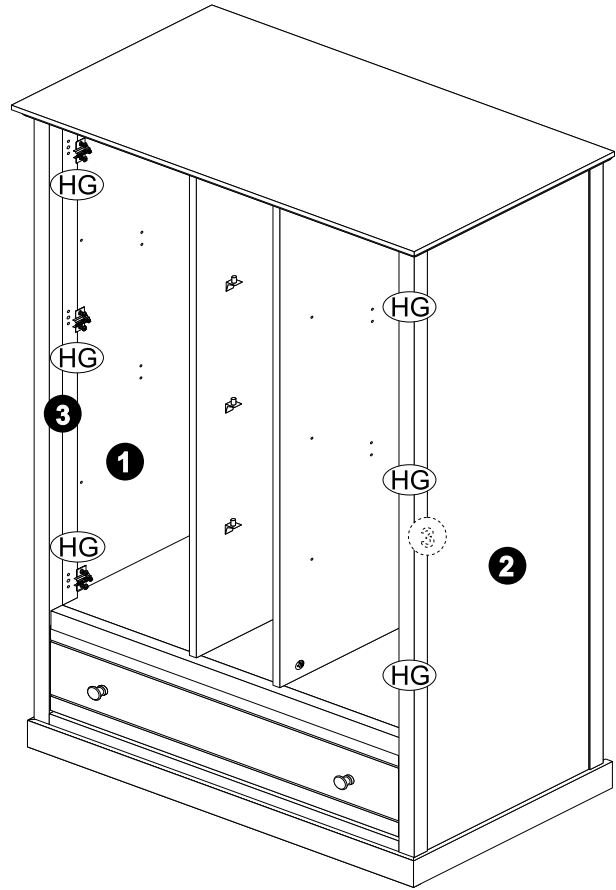
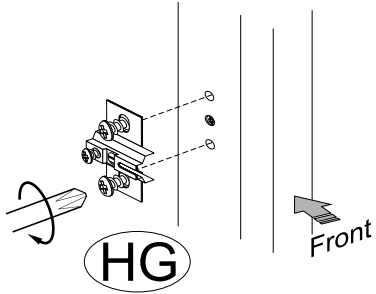
## STEP EIGHTEEN

1. Insert drawer into the assembled unit.



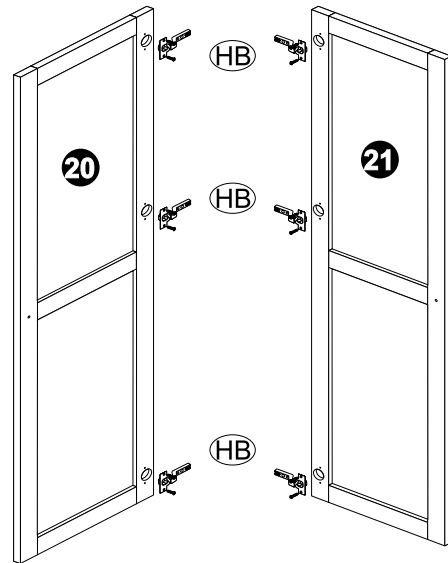
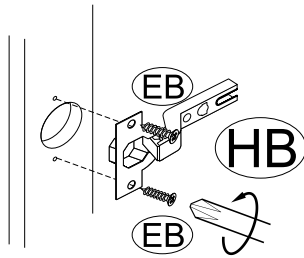
## STEP NINETEEN

1. Insert 6 x guide hinges (HG) into rails 3(x2) and tighten with a screwdriver.



## STEP TWENTY

1. Attach 6 x hinges (HB) to the doors 20 & 21 using 12 x screws (EB) and tighten with a screwdriver.

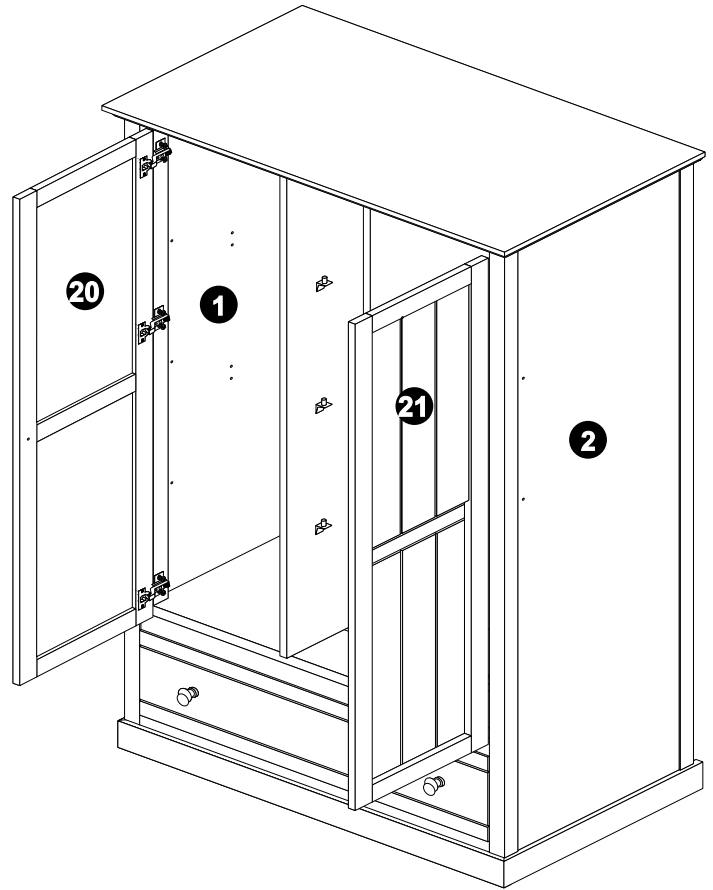
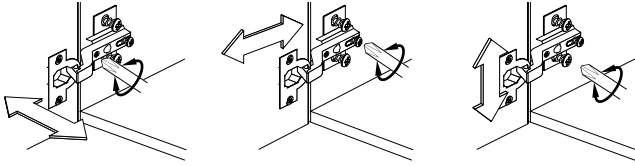


## STEP TWENTY ONE

1. Attach the doors 20 & 21 to side panels 1 & 2.  
Insert cabinet hinge (HB) to guide hinge (HG) and tighten with a screwdriver.

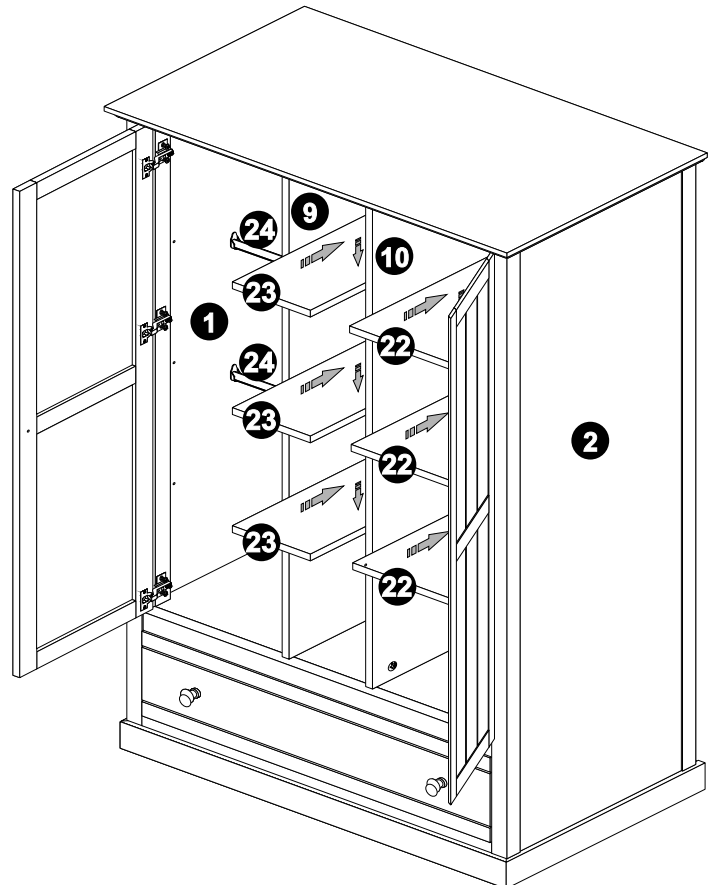
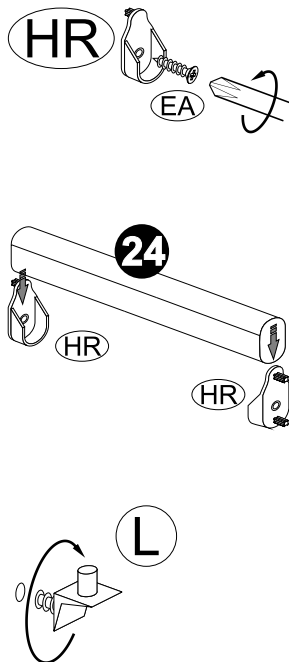
2. Adjust the hinges

a) side to side    b) front to back    c) up & down



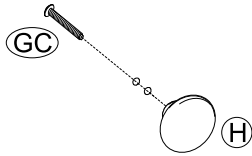
## STEP TWENTY TWO

1. Insert 12 x shelf supports (L) into side panel 2 & partition 10 OR into side panel 1 & partition 9.
2. Place the shelves 22 & 23 on the shelf supports.
3. Insert 4 hanging rail holders (HR) to side panel 1 & partition 9 OR to side panel 2 & partition 10 using 4 x screws (EB) and tighten with a screwdriver.
4. Insert hanging rails 24(x2) into the hanging rail holders.

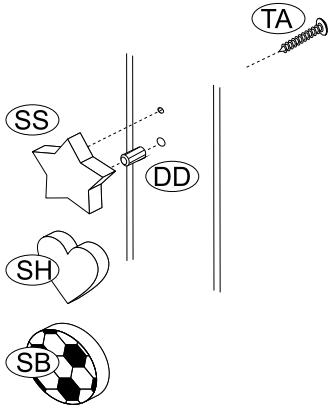


# STEP TWENTY THREE

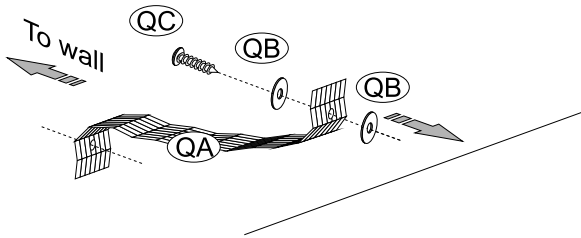
1. Attach 4 x handles (H) to drawer front & doors using 2 x screws (GC) and tighten with a screwdriver.



2. Attach heart (SH) or star (SS) or football (SB) to door using dowel (DD) and screw (TA) and tighten with a screwdriver.



3. Attach wall strap (QA) to the assembled unit using 2 x washers (QB) and 1 x screw (QC).



**WARNING:** Always ensure the area to be drilled is free from hidden electrical wires, water and gas pipes.

**NOTE:** Wall fixings are not included, please source suitable fixings for your wall type. If in doubt please consult a qualified trades person.

