

**next**

STANTON/MODE/GLOSS DOUBLE EXTENDING DINING TABLE

683926/684043/684175/146552

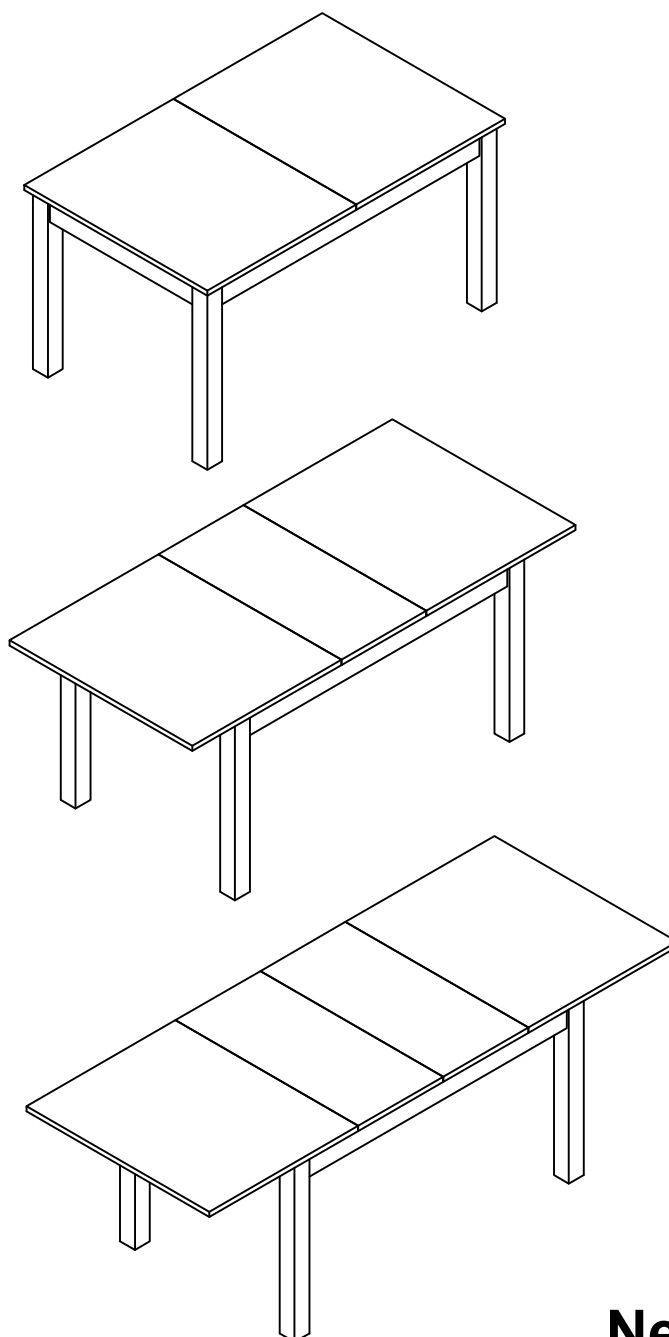
Assembly instructions

**Actual product size**

H75 x W140 x D86cm

H75 x W180 x D86cm

H75 x W220 x D86cm



**Need Help ?**

With: Assembly instruction

Missing or damaged parts

**IMPORTANT - RETAIN FOR FUTURE REFERENCE**

**CALL: 0333 777 8999**

## BEFORE YOU START

### Warnings

**Important:** Retain these instructions for future reference.

Unwrap all packaging materials and place the components on top of the carton box or on a clean floor to prevent it from scratching.

This product should only be used on firm, level ground.

Keep small parts out of reach of children.

### Do's

We suggest you spend a short time reading through this leaflet before you start.

When you are ready to start, make sure that you have the right tools, plenty of space and a clean, dry area for assembly.

Check the pack and make sure you have all the parts listed.

During assembly children should be kept away from the product due to possible risk of injury.

Tools not included.

Due to the size of this product we recommend that it is assembled in the room intended for use.

Ensure that this product is fully assembled as illustrated before use.

Make sure the legs remain in contact with the ground.

Check all screws or bolts are tightened and inspect regularly.

To clean wipe with a sponge and warm soapy water. Do not use solvent based cleaners or detergents as they can bleach or damage the product.

### Dont's

Do not use power tools to construct this product.

Do not tighten screws until fully assembled.

Do not overtighten screws or bolts.

Do not sit or stand on the product.

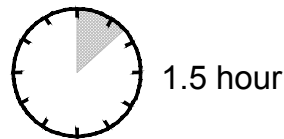
Do not use this product if parts are missing, damaged or worn.

Never use scourers, abrasives or chemical cleaners.

### Number of people required to assemble

Two person to assemble the unit and two person to lift the unit into position.

### Time to assemble



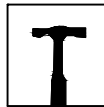
1.5 hour



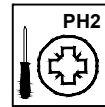
### Tips

Look out for the symbol throughout this manual. Wherever you see it we will have a handy tip to help you with the assembly of your product.

### Tools required



not supplied



not supplied

### Missing parts

If you are missing any fixtuers and fittings for you product please contact our customer service team on **0333 777 8999** and they will be happy to arrange for a replacement to be sent to you free of charge.

### Home service technicians

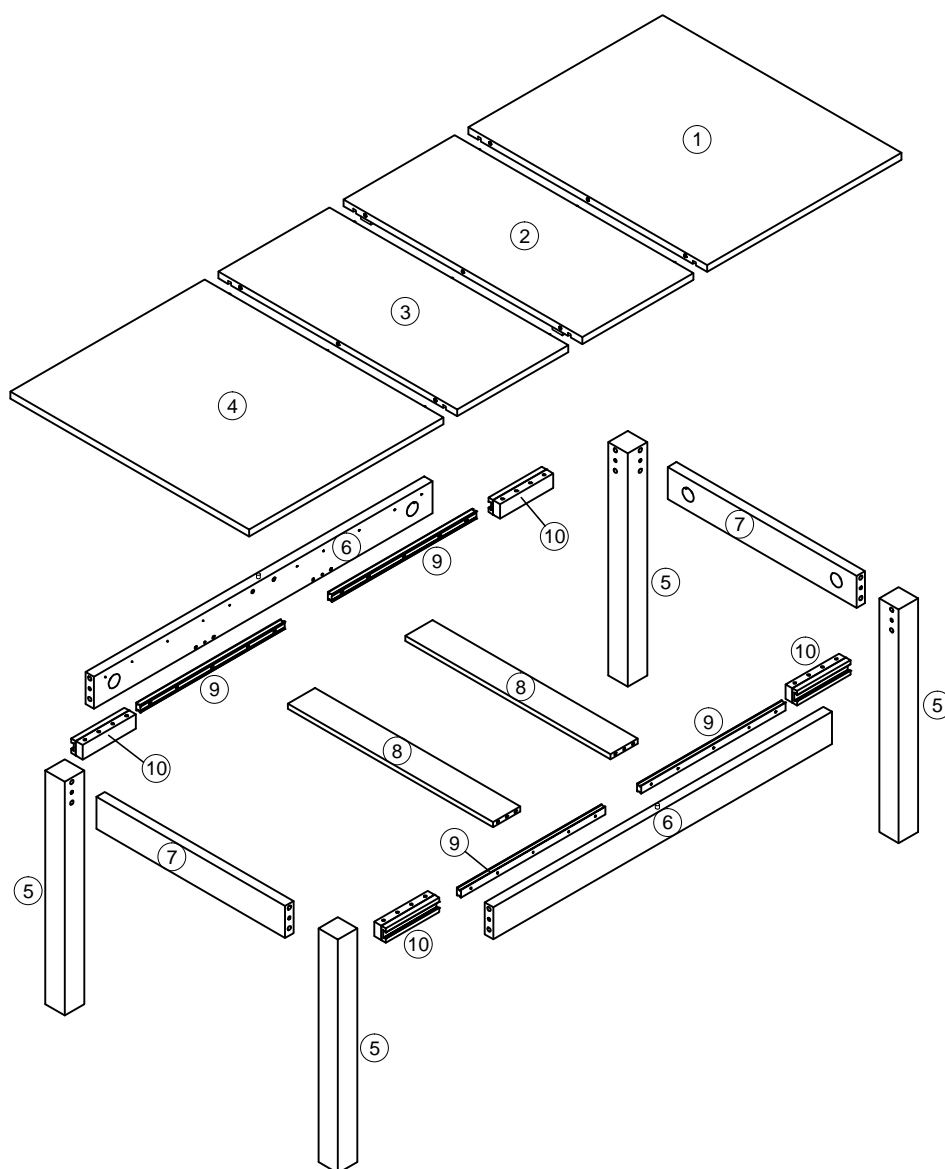
If you have a fault with your product please contact our customer service team on **0333 777 8999**. If you have had the product for 28 days or less you may be offered a replacement, refund or for a fully trained home service technician to visit your home to assess the fault and repair the product where possible. If you have had the product for more than 28 days we will send an independant home service technician to review and repair the product where possible and recommend further action.

### You can write to us at

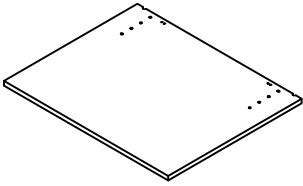
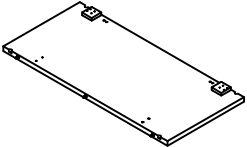
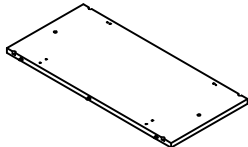
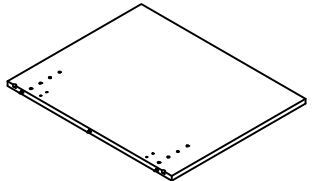
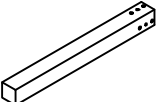
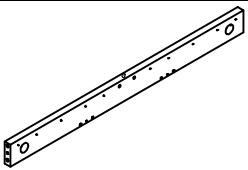
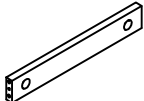
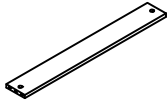


Next Retail Ltd,  
Desford Road,  
Leicester,  
Le19 4AT

To view our full furniture range please visit [www.next.co.uk](http://www.next.co.uk)

## GETTING TO KNOW YOUR PRODUCT

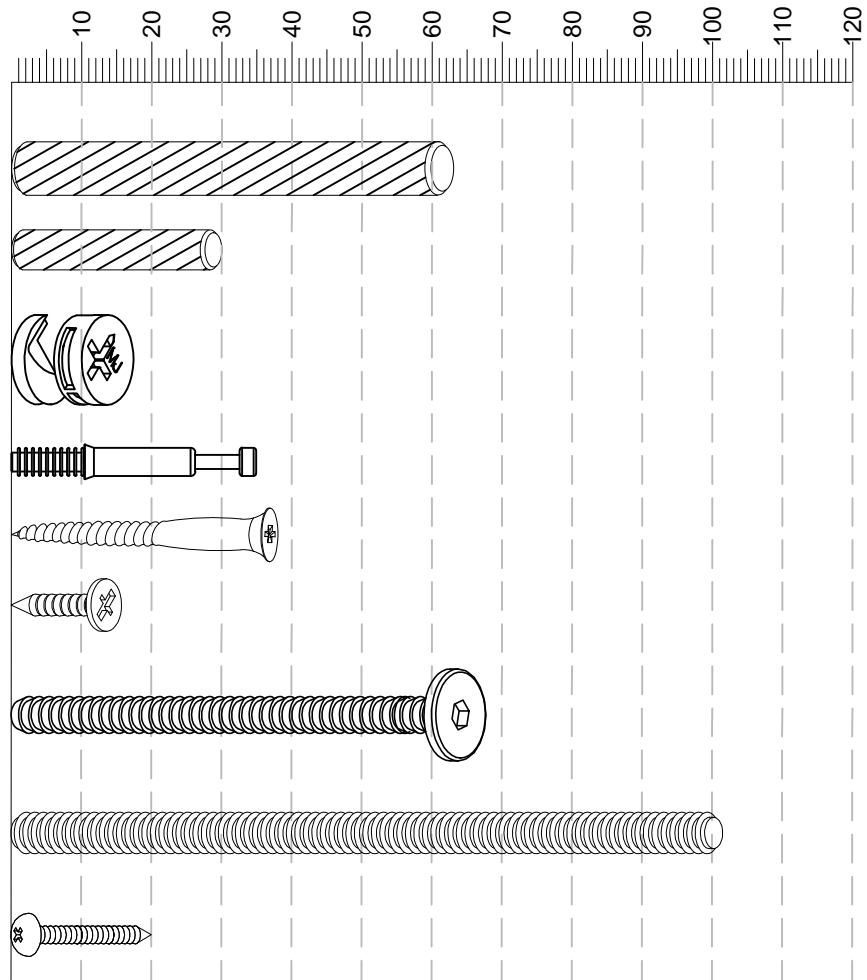


Components supplied. Please use this guide if you require replacement parts.

Ref	Dimensions	Visual	Qty	Ctn
1	70 x 86cm		1	2
2	40 x 86cm		1	2
3	40 x 86cm		1	2
4	70 x 86cm		1	2
5	7 x 73cm		4	1
6	10 x 122cm		2	1
7	10 x 68cm		2	1
8	10 x 74cm		2	2
9	2 x 52cm		4	1
10	5 x 18cm		4	1

**Fixtures and fittings supplied (actual size)**

Ref	Dimensions	Qty	Spare Qty
D13	12 x 60mm	16	2
D6	8 x 30mm	8	1
B4	12.5 x 15mm	4	1
B7	7.5 x 35mm	4	1
U157	4 x 38mm	20	2
U91	4 x 16mm	24	2
V83	6 x 60mm	16	2
B21	8 x 100mm	8	N/A
S8	3 x 20mm	8	1



**Fixtures and fittings supplied ( not to scale)**

Ref	Dimensions	Visual	Qty	Spare Qty
T4	4mm		1	N/A
B22	N/A		8	N/A
B23	N/A		8	N/A
Q3	N/A		8	1
T13	N/A		1	N/A

Ref	Dimensions	Visual	Qty	Spare Qty
D14	N/A		2	N/A
K12	N/A		6	N/A
K13	N/A		2	N/A

1

**CAM-PILLAR**  
 Tighten until shoulder is flush with panel. Do not overtighten or undertighten (see example below)

x2 Units

x4 Units

not supplied

7.5 x 35mm

**B7 x 4**

not supplied

8 x 100mm

**B21 x 8**

2

x2 Units

not supplied

12 x 60mm

**D13 x 16**

not supplied

8 x 30mm

**D6 x 8**

**3**

WHEN FITTING CAMS  
 ENSURE STARTING POSITION CORRECT  
 BEFORE YOU INSERT CONNECTING CAM-PILLAR  
 TURN CLOCKWISE UNTIL SECURE

Align with long point of cross

Pillar head needs to be in centre

12.5 x 15mm  
**B4 x 4**

not supplied

**4**

**B22 x 4**

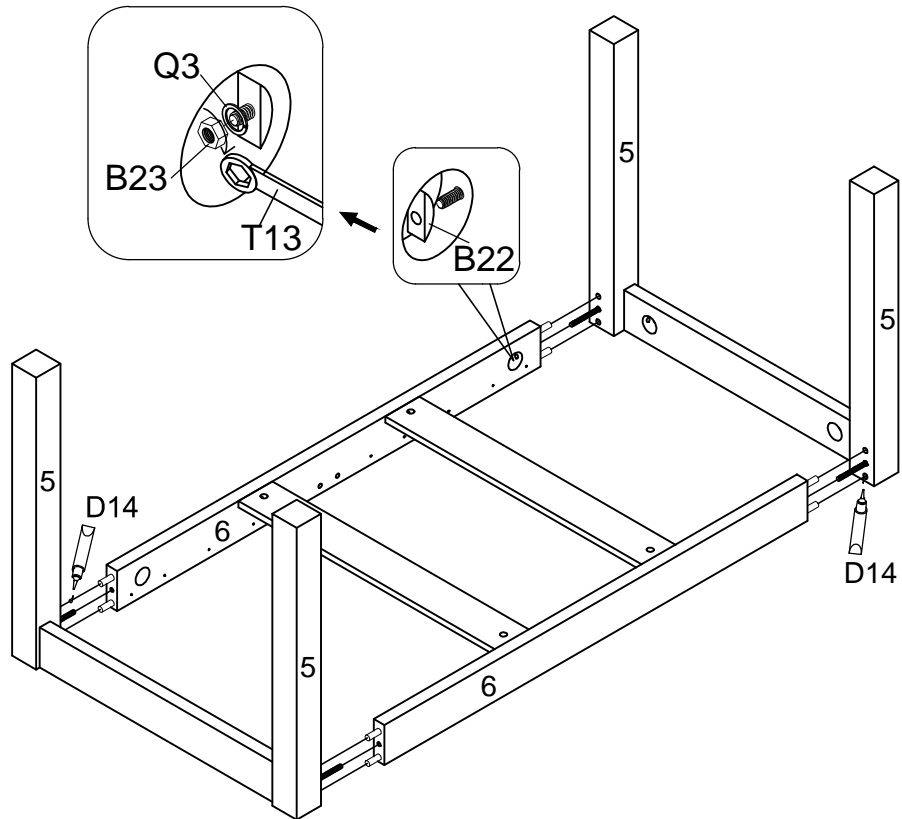
**B23 x 4**




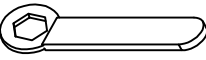
**Q3 x 4**

**T13 x 1**

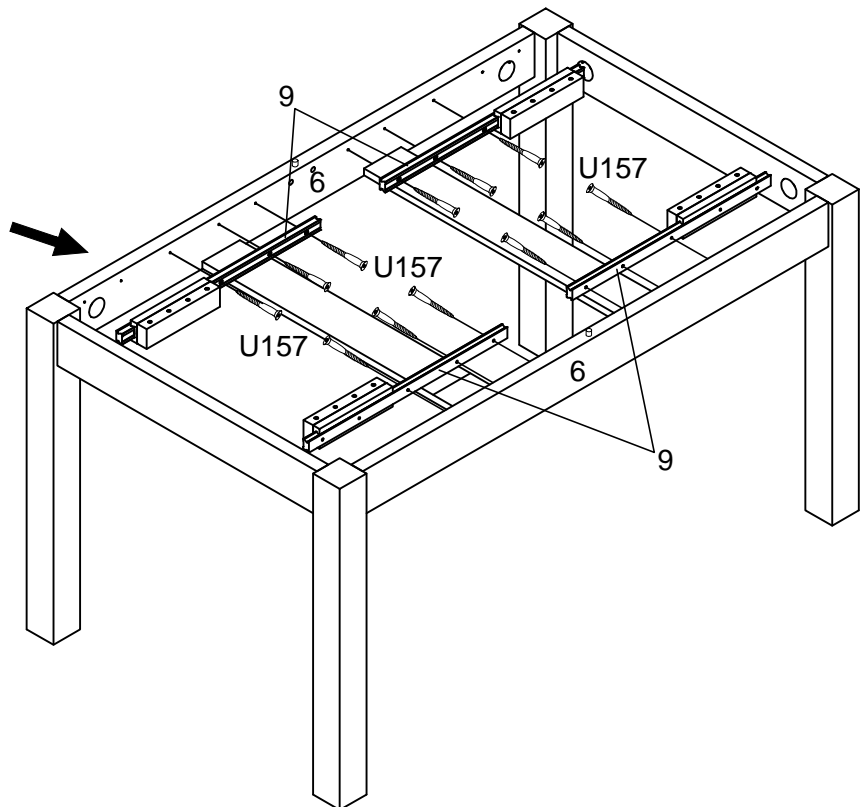
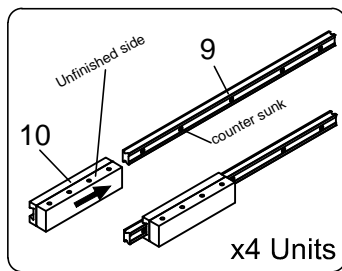
x2 Units

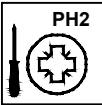
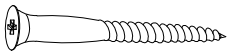
5



-  **B22 x 4**
-  **B23 x 4**
-  **Q3 x 4**
-  **T13 x 1**

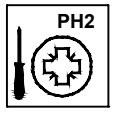
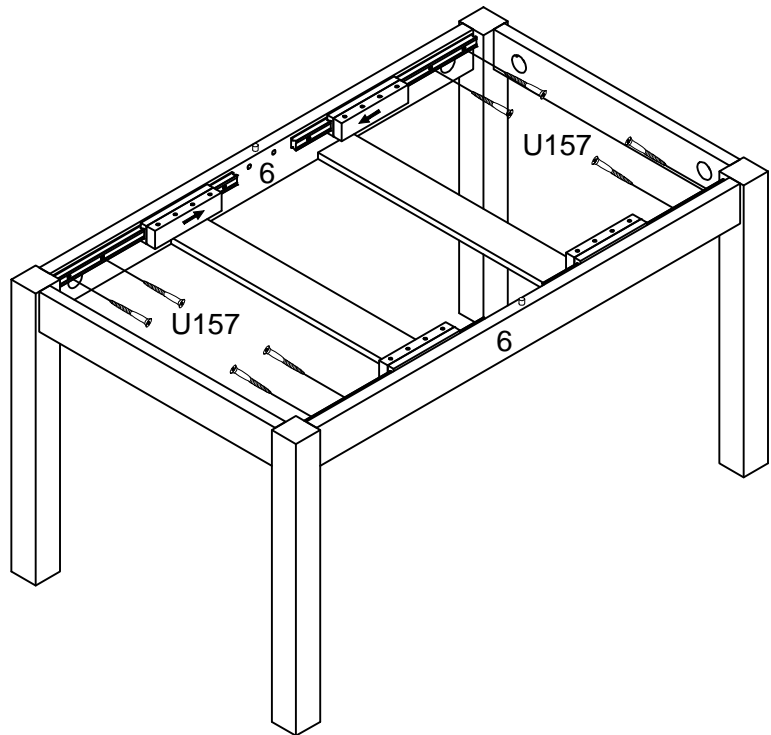
6



-  **PH2**  
not supplied
-  **4 x 38mm**  
**U157 x12**

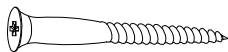


7

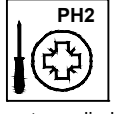
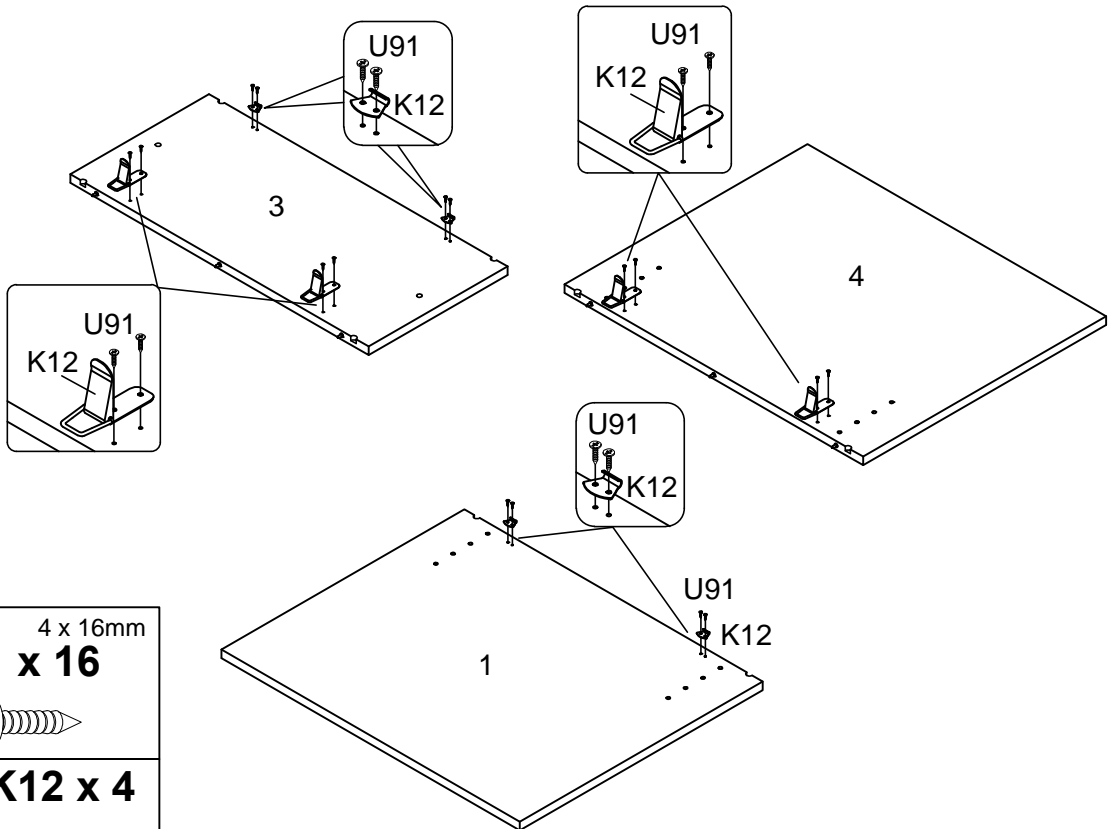


not supplied

4 x 38mm  
**U157 x 8**

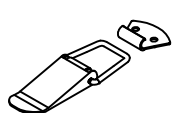
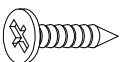


8



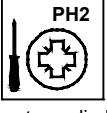

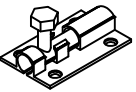

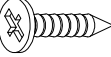
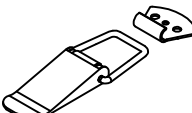
not supplied

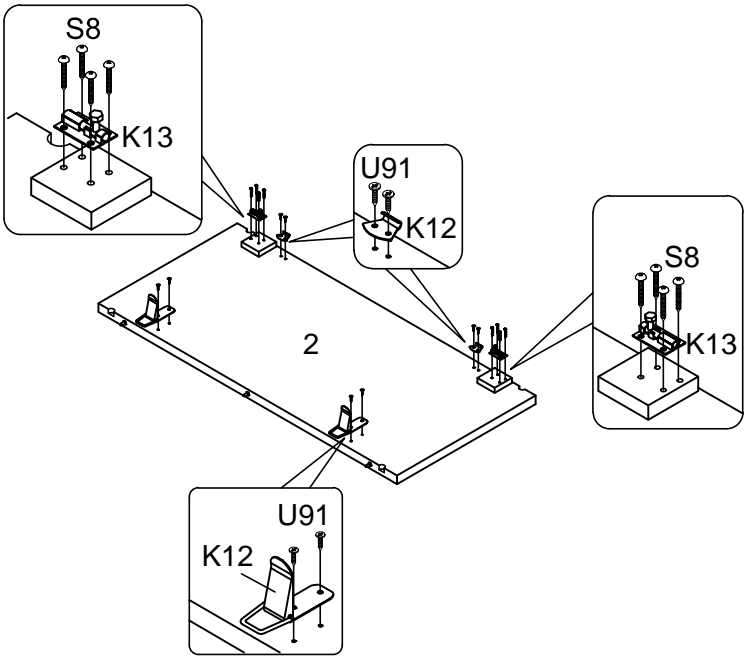
4 x 16mm  
**U91 x 16**





**K12 x 4**

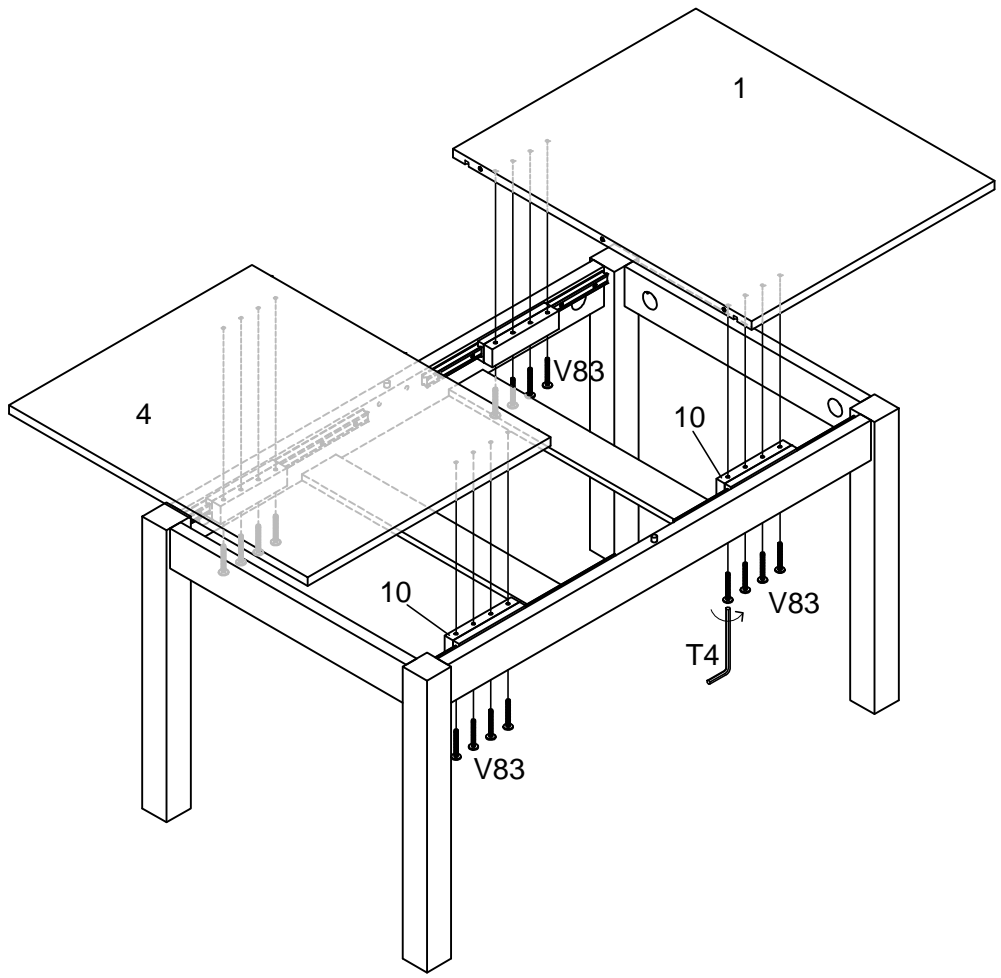
9

 <p>PH2 not supplied</p>	<p>3 x 20mm  <b>S8 x 8</b></p> 
 <p><b>K13 x 2</b></p>	
 <p>PH2 not supplied</p>	<p>4 x 16mm  <b>U91 x 8</b></p> 
 <p><b>K12 x 2</b></p>	



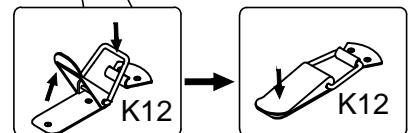
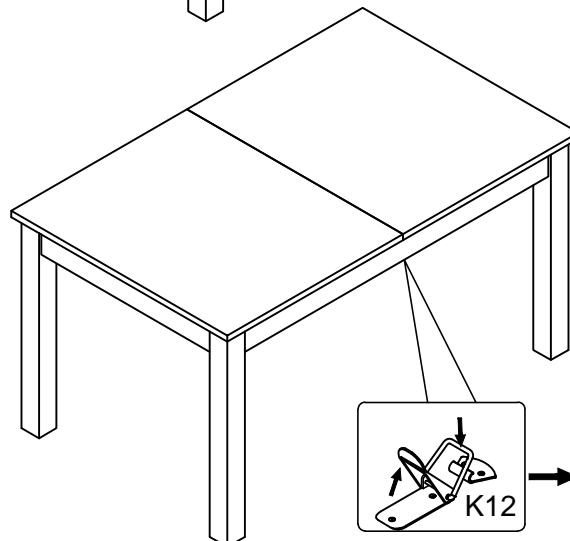
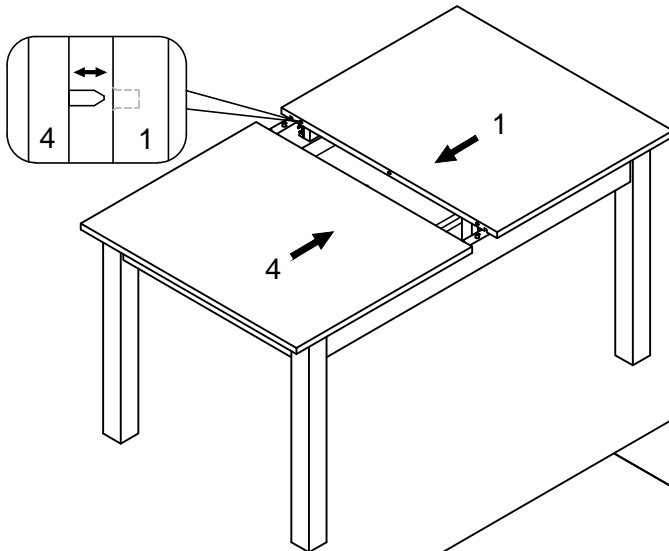
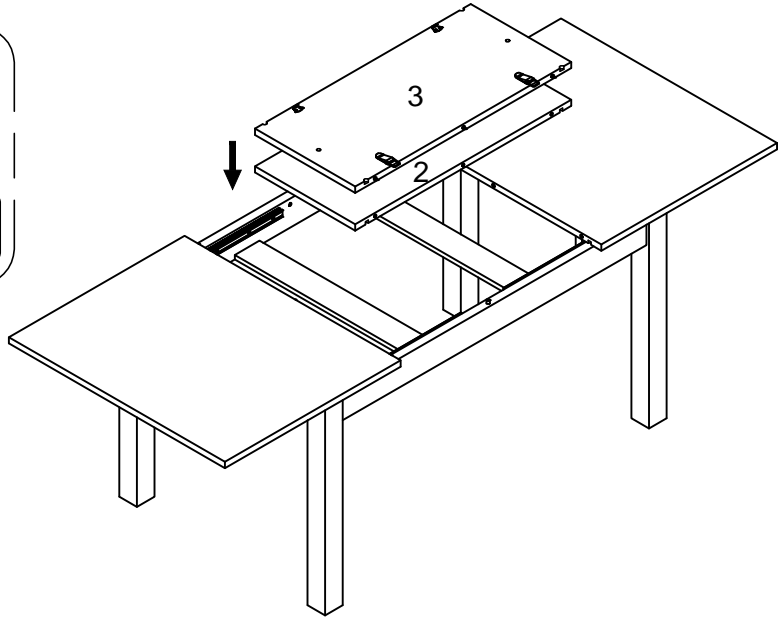
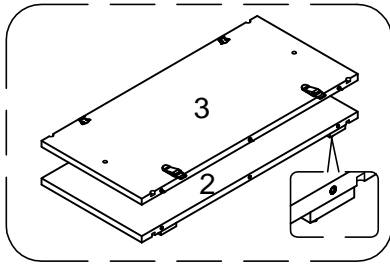
10

 <p><b>T4 x 1</b></p> <p>4mm</p>
 <p><b>V83 x 16</b></p> <p>6 x 60mm</p>

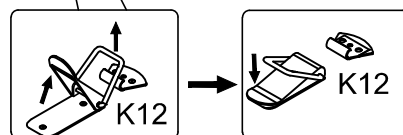
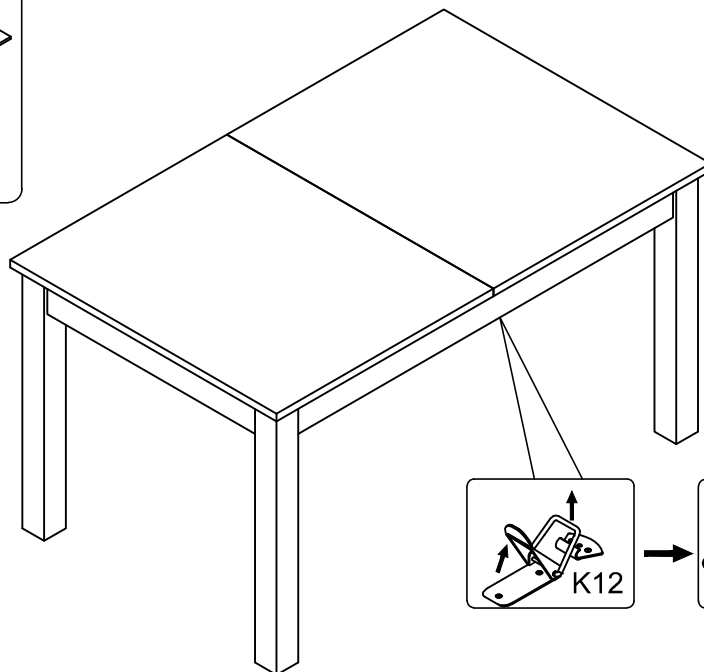
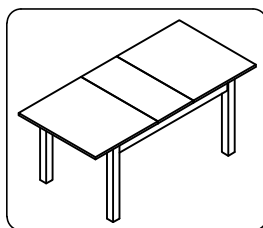


11

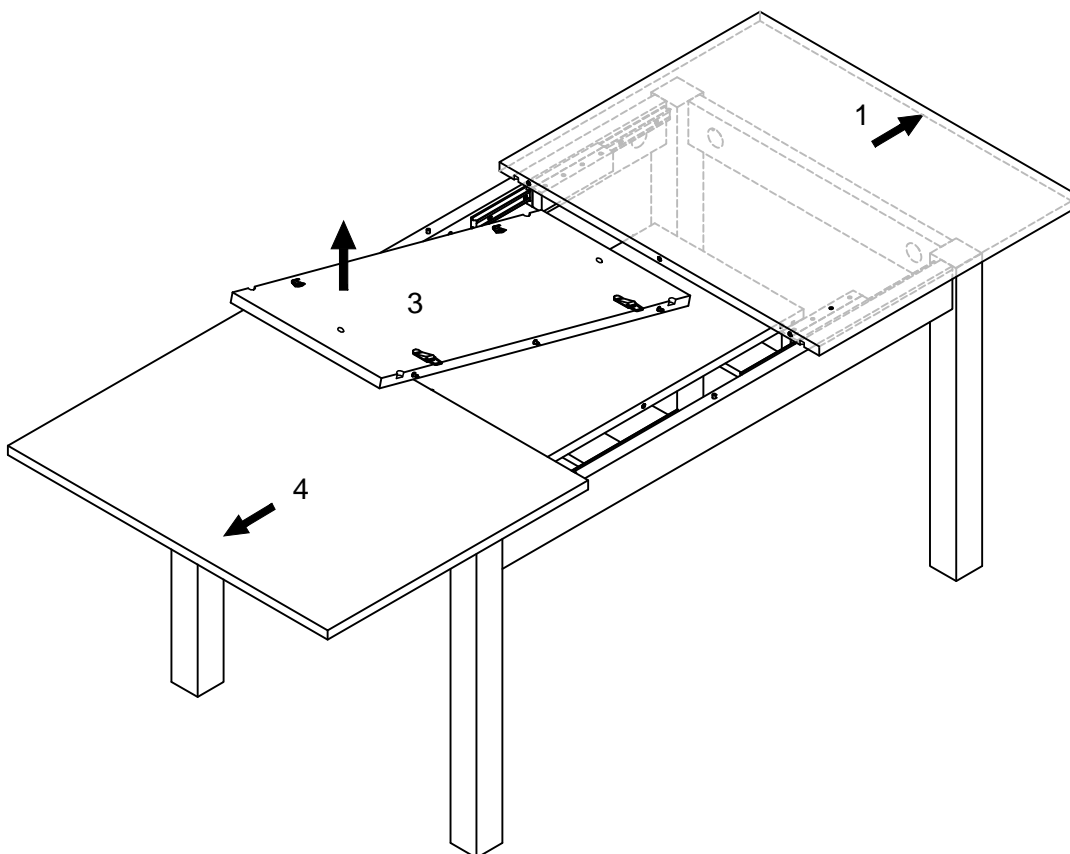
Please ensure panels 2 & 3 face to face to avoid placing the latches where they will rub on the part of the table leaf that is visible in use.



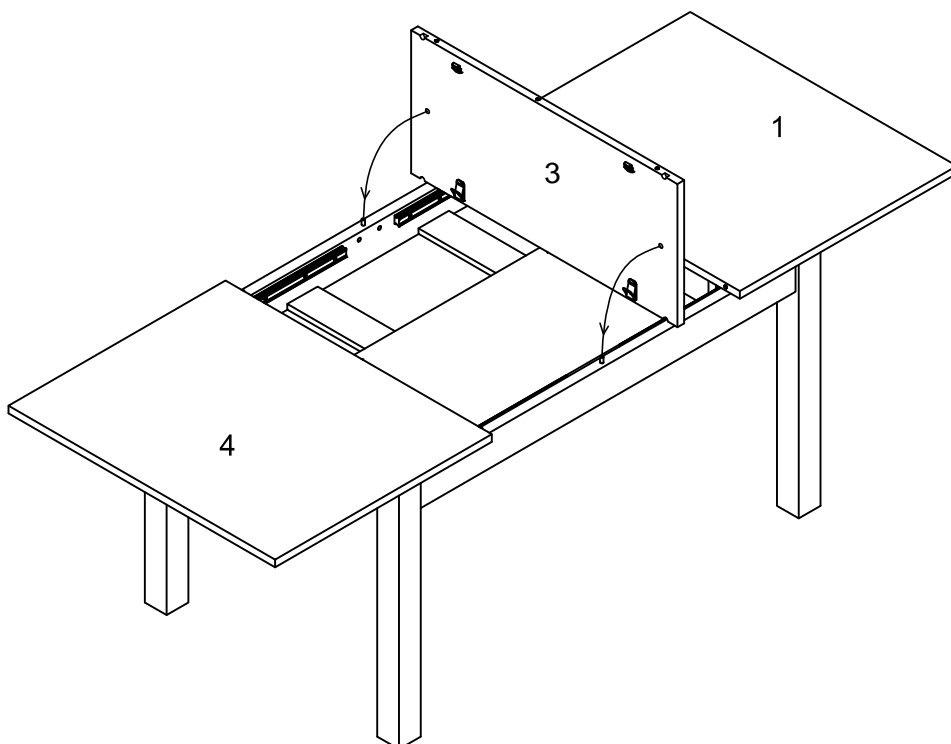
12



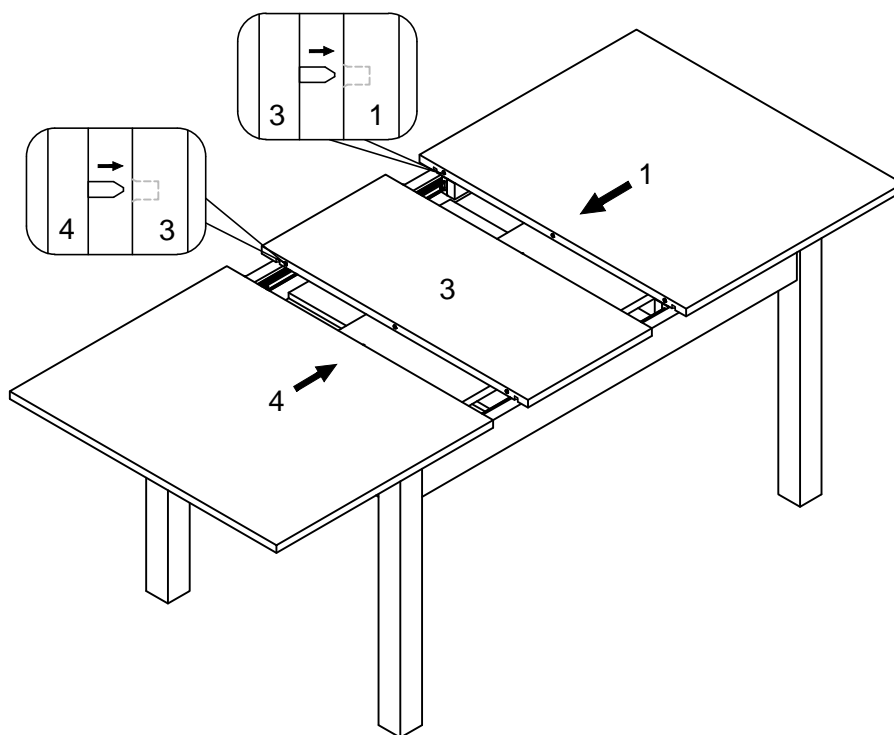
13



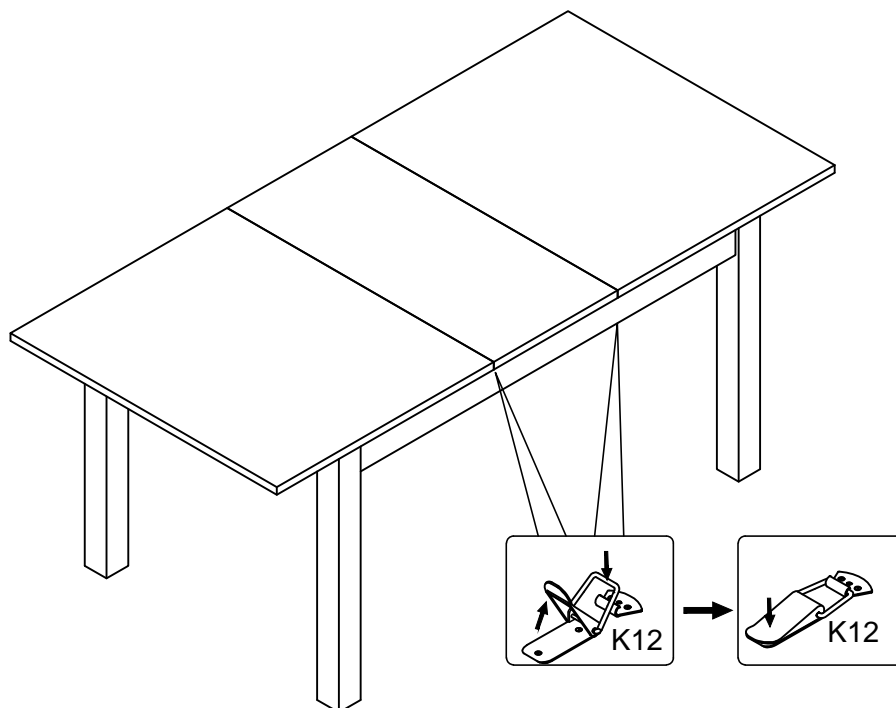
14



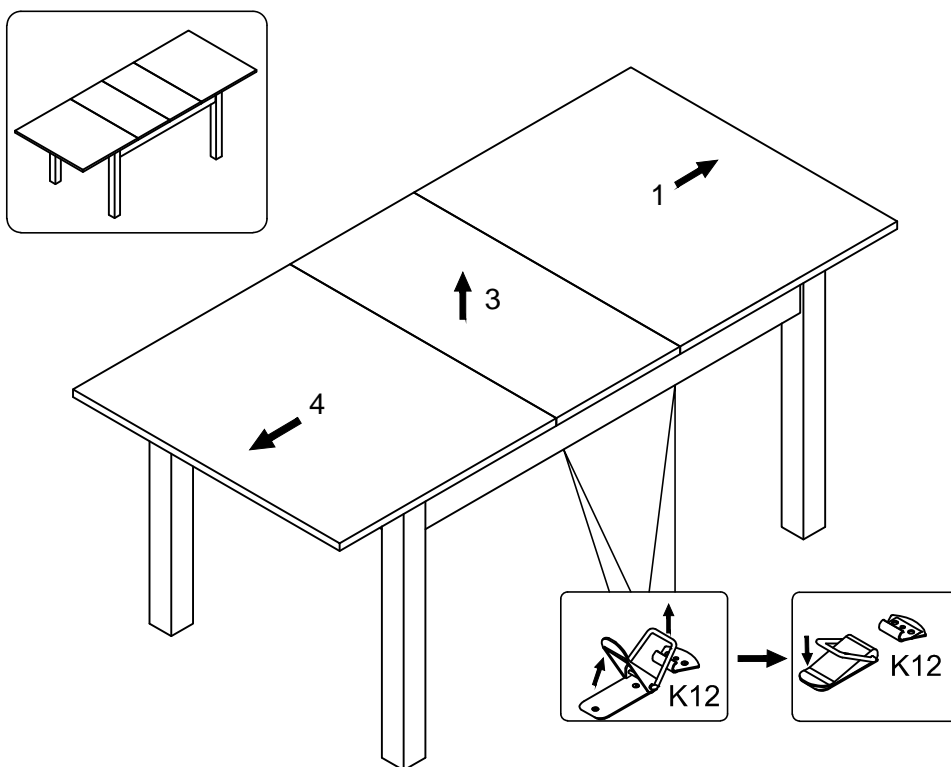
15



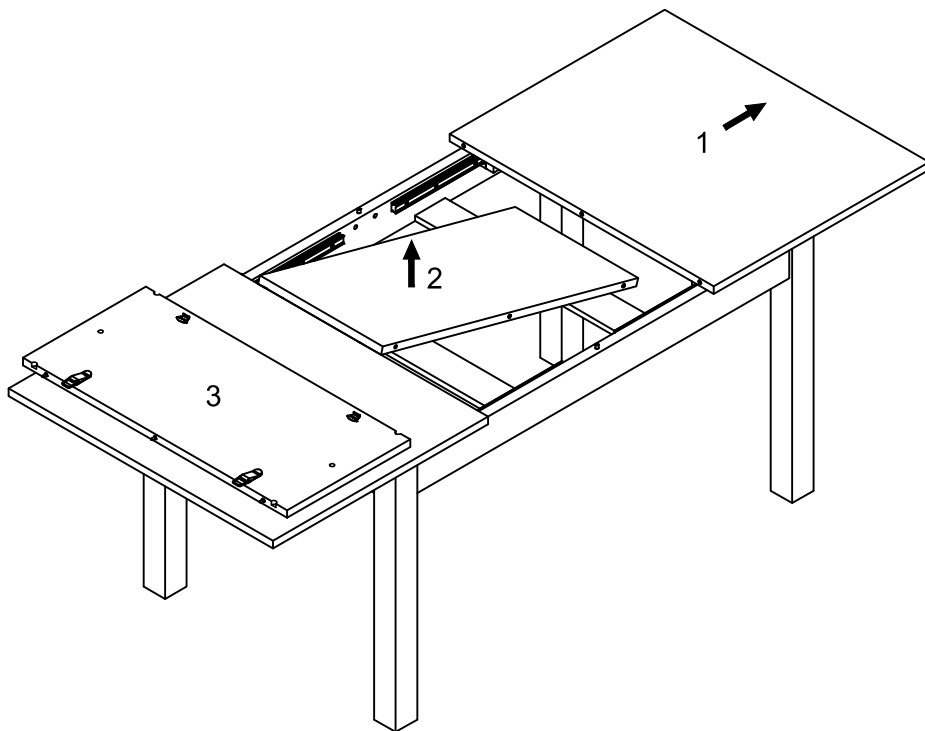
16



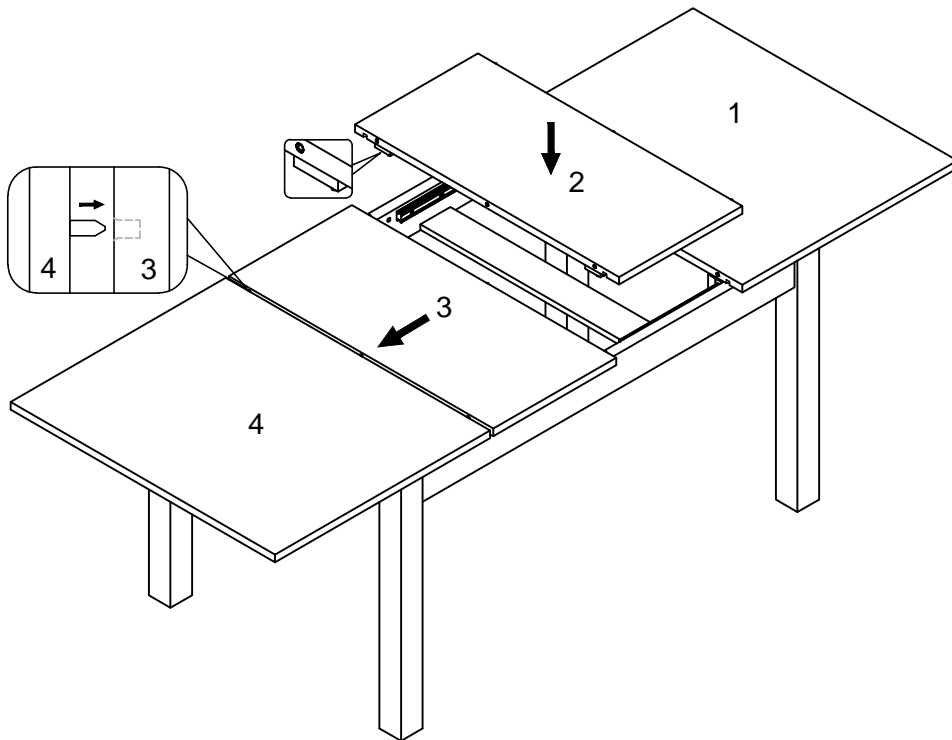
17



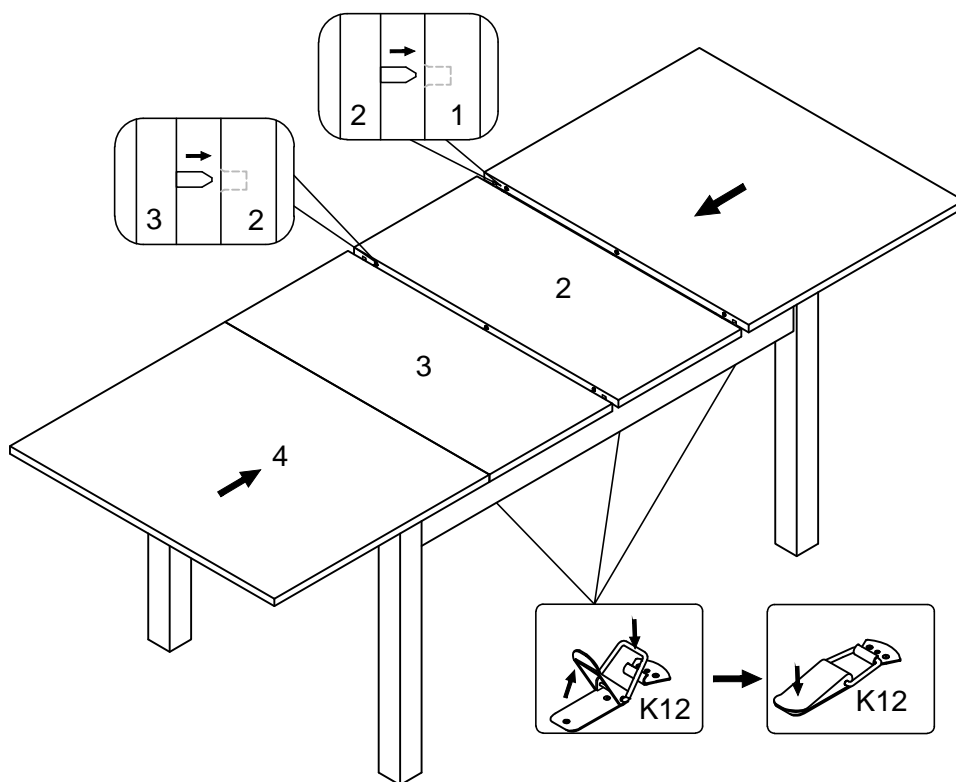
18



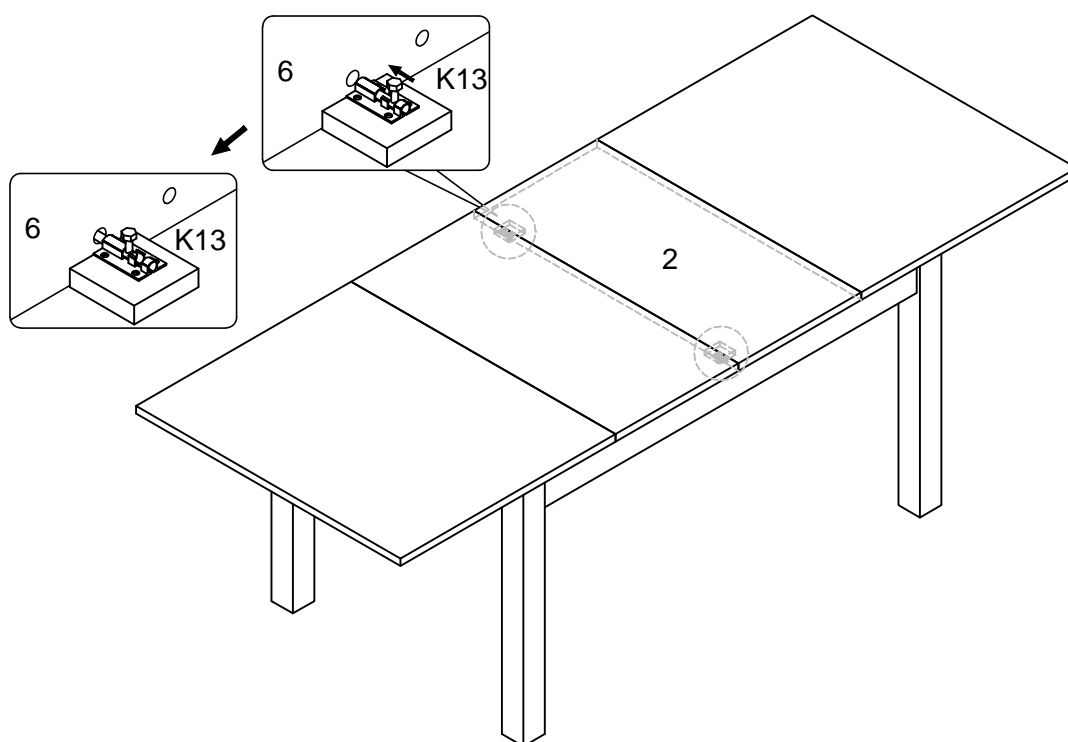
19



20



21





next

STANTON/MODE/GLOSS DOUBLE EXTENDING DINING TABLE

683926/684043/684175/146552

Assembly instructions

**Actual product size**

H75 x W140 x D86cm

H75 x W180 x D86cm

H75 x W220 x D86cm

