

BEFORE YOU GET STARTED...

We're confident you'll love your gorgeous new Next furniture. However, it's worth making absolutely certain before you put it all together. So, let's quickly run through these three steps:

1. COLOUR

Make sure you're happy with the colour
No need to unpack everything, just check the first component.

2. PROTECTIVE PACKAGING

If you're happy, then it's time to get opening! Start by laying everything out on the protective packaging – this will prevent anything getting scratched.

3. PARTS PAGE

Finally, double check you have all the pieces by referencing the parts page of the instructions.

TIPS FOR RETURNS

Not completely happy with the product? No problem. We just need everything back in the original packaging, so follow the steps below and this will ensure a super-smooth returns process and no delay to your refund.

DO



- Check everything is there (the 'parts page' is a handy checklist).
- Pop all the loose fittings and fixtures into the packaging provided or tie them up in a plastic bag.
- Wrap all the big components back up in the original protective packaging.
- Close up the box and seal it securely (don't be afraid to use plenty of tape).

DON'T



- Leave anything assembled - all components should be dismantled and separately packed.
- Put loose fixtures and fittings straight into the box.
- Throw it back in the box carelessly – as it may get damaged.

next
HOME

Then just give us a call on 0333 777 8999 and we'll sort out a pick up time for you.

next

HELENA MIRROR

174724

Assembly instructions

Actual product size

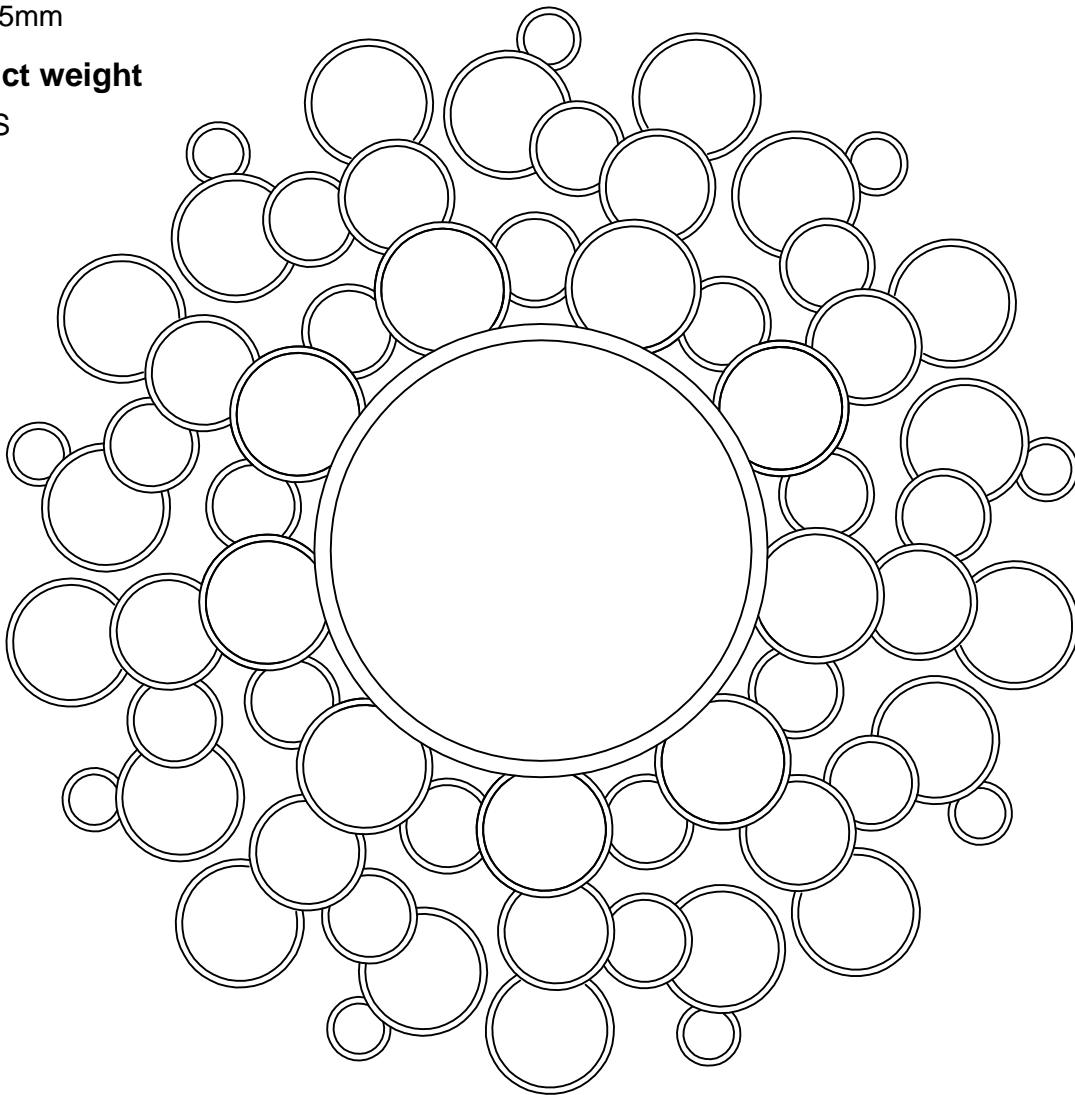
H1000 x W1000x D30mm

Mirror Centre

DIA.415mm

Product weight

14 KGS



Need Help?

With: Assembly instructions
Missing or damaged parts

CALL: 0333 777 8999

IMPORTANT- RETAIN FOR FUTURE REFERENCE

BEFORE YOU START

WARNINGS

Important: Retain these instructions for future reference.

Keep fittings out of children's reach and keep children well away from the construction area.

Unwrap all packaging materials and place the components on top of the carton box or on a clean floor to prevent it from scratching.

This product should only be used on firm level walls.

Always ensure intended wall area to be drilled is free from any hidden electrical wires, water and gas pipes.

Please use suitable wall fixings for your wall type. Wall fixings are not included.

Not suitable for use in bathrooms.

Name and address: Next Retail Ltd. LE19 4AT

Date of manufacture: 10/2017

Contract number: IM8439592

Nominal thickness of glass: 4mm, Annealed glass does not conform to BS6206. If a glass component is chipped or broken replace with glass of the type described on the label at the back of product

Do's

We suggest you spend a short time reading through this leaflet before you start.

When you are ready to start, make sure that you have the right tools, plenty of space and a clean, dry area for assembly.

Check the pack and make sure you have all the parts listed

Ensure that this product is fully assembled as illustrated before use.

Check all screws or bolts are tightened and inspect regularly.

To clean, wipe with a sponge and warm soapy water. Do not use solvent based cleaners or detergents as they can bleach or damage the product.

Don'ts

Do not overtighten screws or bolts.

Do not tilt or stand on the product.

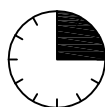
Do not use this product if parts are missing, damaged or worn.

Never use scourers, abrasives or chemical cleaners.

Number of people required to assemble

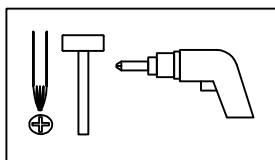
Two persons are required to assemble this item.

Time to assemble



15 minutes

Tools required



not supplied

Missing parts

If you are missing any fixtures and fitting for your product please contact our customer service team on **0333 777 8999** and they will be happy to arrange for a replacement to be sent to you free of charge.

Home service technicians

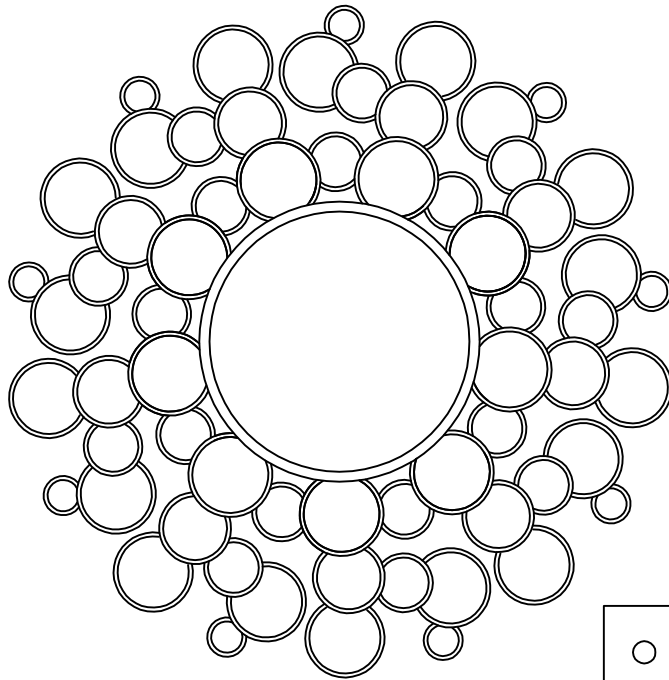
If you have a fault with your product please contact our customer service team on **0333 777 8999**. If you have had the product for 28 days or less you may be offered a replacement, refund or for a fully trained home service technician to visit your home to assess the fault and repair the product where possible. If you have had the product for more than 28 days we will send an independent home service technician to review and repair the product where possible and recommend further action.

You can write to us at

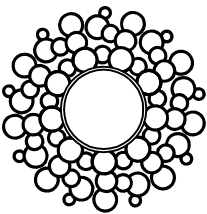

Home Customer Services
Next Retail Ltd,
Desford Road
Leicester
LE19 4AT

To view our full furniture range please visit www.next.co.uk

GETTING TO KNOW YOUR PRODUCT



Components Supplied - Use this guide if you require a replacement part.

Ref	Dimensions	Visual	Qty
1	1000x1000x30mm		1
2	510x60mm		1

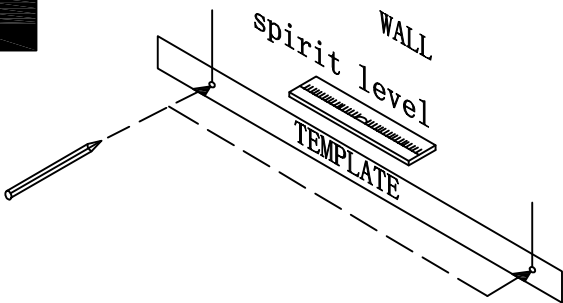
We strongly recommend that a professional who has experience of fitting such items should install large mirrors.

Mirrors are heavy objects and your safety is dependent on the construction/strength of the wall to which it is attached.

We recommend that the method in this manual is used to hang the mirror.

SCREWS & WALL PLUGS ARE NOT INCLUDED

1

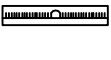


Please use the template provided to mark on the wall the position of the fixing.

NB: Place the template over the back of the mirror to ensure that the holes match the position of the hooks before drilling into your wall.

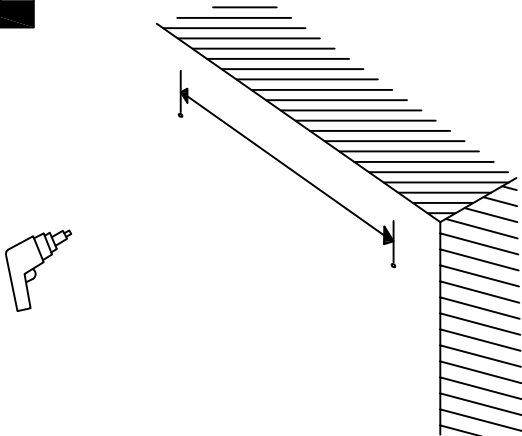
Use a spirit level to check that the fixings are level.

SPIRIT LEVEL



not supplied

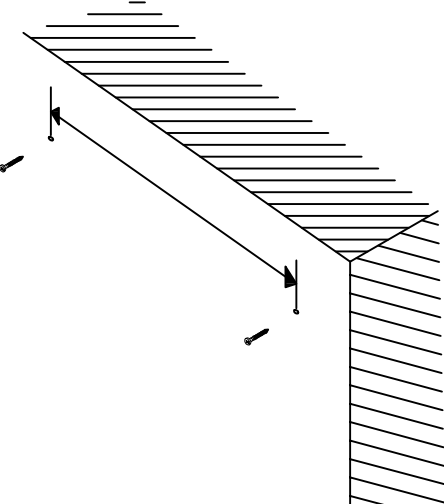
2



Drill two holes.

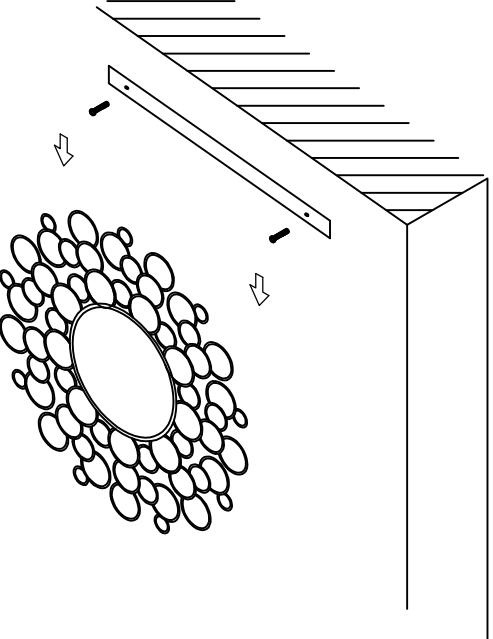
Warning: Always ensure wall area to be drilled is free from hidden electrical wires, water and gas pipes.

3



Insert an appropriate wall plug into each hole.
Insert the screws and tighten, leaving the screw head exposed by 1/4 inch (6mm).

4





Please carefully follow the instructions below to ensure your product is repacked into the inner box safely if it is returned to NEXT.

<p>1</p> <p>Put the mirror into the poly bag.</p>	<p>2</p> <p>Place the mirror into the polyfoam mould.</p>
<p>3</p> <p>Cover the mirror with the polyfoam lid.</p>	<p>4</p> <p>Place the polyfoam case onto the inner box.</p>



Please carefully follow the instructions below to ensure your product is repacked into the inner box safely if it is returned to NEXT.

