

# BEFORE YOU GET STARTED...

*We're confident you'll love your gorgeous new Next furniture. However, it's worth making absolutely certain before you put it all together.*

*So, let's quickly run through these three steps:*

## 1. COLOUR

Make sure you're happy with the colour  
No need to unpack everything, just check the first component.

## 2. PROTECTIVE PACKAGING

If you're happy, then it's time to get opening! Start by laying everything out on the protective packaging – this will prevent anything getting scratched.

## 3. PARTS PAGE

Finally, double check you have all the pieces by referencing the parts page of the instructions.

## TIPS FOR RETURNS

Not completely happy with the product? No problem. We just need everything back in the original packaging, so follow the steps below and this will ensure a super-smooth returns process and no delay to your refund.

DO



- Check everything is there (the 'parts page' is a handy checklist).
- Pop all the loose fittings and fixtures into the packaging provided or tie them up in a plastic bag.
- Wrap all the big components back up in the original protective packaging.
- Close up the box and seal it securely (don't be afraid to use plenty of tape).

DON'T



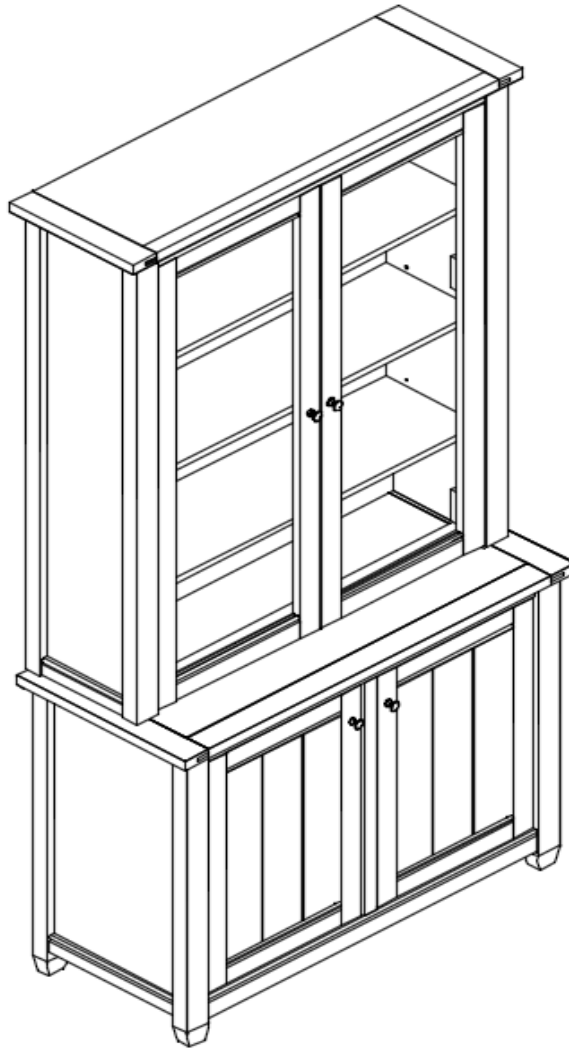
- Leave anything assembled - all components should be dismantled and separately packed.
- Put loose fixtures and fittings straight into the box.
- Throw it back in the box carelessly - as it may get damaged.

next  
HOME

Then just give us a call on 0333 777 8999 and we'll sort out a pick up time for you.

**next** HUNTINGDON GLAZED DRESSER  
174728  
Assembly instructions

**Actual product size**  
H209,8x W108,5 x D47cm



**Need Help?**

With: Assembly instructions  
Missing or damaged parts

**CALL: 0333 777 8999**

**IMPORTANT – RETAIN FOR FUTURE REFERENCE**

## BEFORE YOU START

### Warnings

We suggest you retain these instructions for future reference.  
Keep fittings out of children's reach and keep children well away from the construction area.  
This product should only be used on firm, level ground.  
Please periodically check all fittings and re-tighten as necessary.  
Please do not sit or stand on your furniture.  
Avoid exposing the furniture to excessive heat or direct sunlight as this can cause deterioration of the colour.  
Products with shelves will be delivered with 'X' shaped plastic holding clips to prevent them from moving in transit. These should be removed

### Do's

We suggest you spend a short time reading through this leaflet before you start.  
When you are ready to start, make sure that you have the right tools and plenty of space.  
Unwrap all packaging materials and place the components on a clean surface to protect it from damage.  
We recommend that the packaging is used to protect the surfaces during assembly.  
Carefully check that you have all the parts before beginning assembly.  
Due to the size of the product we recommend that it is assembled in the room intended for use.  
Ensure the product is fully assembled as illustrated and all fixings are fully tightened before use.  
Wipe occasionally with a soft cloth slightly dampened with water. The buff with a dry clean soft cloth.  
Wood will mellow and change colour over time, we recommend that ornaments and items placed on the surface are moved regularly for the first few months to prevent uneven mellowing.  
Magnetic door catches can be manually adjusted to increase or decrease the force required to open doors, by turning the magnet

### Don'ts

Do not drag or pull your furniture.  
Do not use silicone based furniture polish. Silicone in furniture polishes can break down the finish.  
Never allow any kind of liquid to remain on your furniture.  
Absorption can cause wood to warp or finishes to de-laminate.  
Do not place hot items (e.g. hot drinks) directly on to the wood surface. Please make sure you use a placement or coaster.

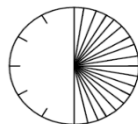
### PRODUCT SUPPLIED WITH WALL FIXING STRAPS

### Number of people required to assemble

Two persons are required to assemble this item.

### Time to assemble

30min

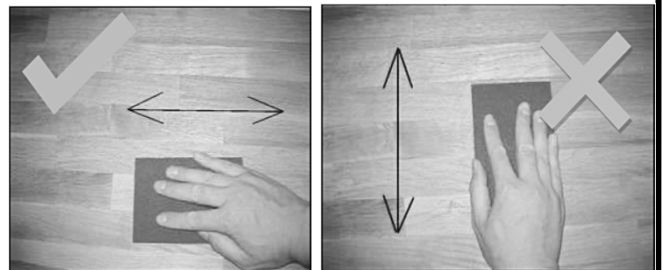


### Tools to required



### Care information

It is recommended to re-oil 1-2 times a year using standard furniture oil (e.g. Tung oil). Firstly carry out the sanding process as described above and then dampen a lint free cloth with the furniture oil and rub into the wood in the direction of the grain (always trial on an unseen face first to ensure the colour is acceptable).  
Several coats may be applied to the surface to increase the quality of finish and give more protection to the timber. Note: After oiling it may be necessary to ventilate the room in order to remove any smell of oil.  
In very dry environments it may be necessary to re-oil the furniture more frequently  
The surface may appear to become rough and dry over time – this is normal and can easily be treated by lightly sanding the surface using fine sandpaper (i.e. no. 320 grit sand paper) in the direction of the grain



### Missing parts

If you are missing any fixtures and fittings for you product please contact our customer service team on 0333 777 8999 and they will be happy to arrange for a replacement to be sent to you free of charge.

### Home service technicians

If you have a fault with your product please contact our customer service team on 0333 777 8999. If you have had the product for 28 days or less you may be offered a replacement, refund or for a fully trained home service technician to visit your home to assess the fault and repair the product where possible. If you have had the product for more than 28 days we will send an independant home service technician to review and repair the product where possible and recommend further action.

### You can write to us at

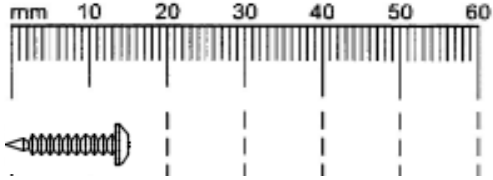
Home Customer Services  
Next Retail Ltd,  
Desford Road,  
Leicester,  
LE19 4AT

To View our full furniture range please visit  
[www.next.co.uk](http://www.next.co.uk)

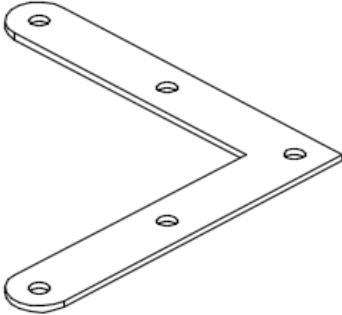
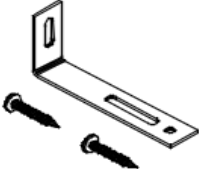
**next** HUNTINGDON GLAZED DRESSER  
 174728  
 Assembly instructions

**Fixtures and fittings supplied(actual size)**

Ref	Dimensions	Quantity	*Extra Fittings
A	4x16	10	0



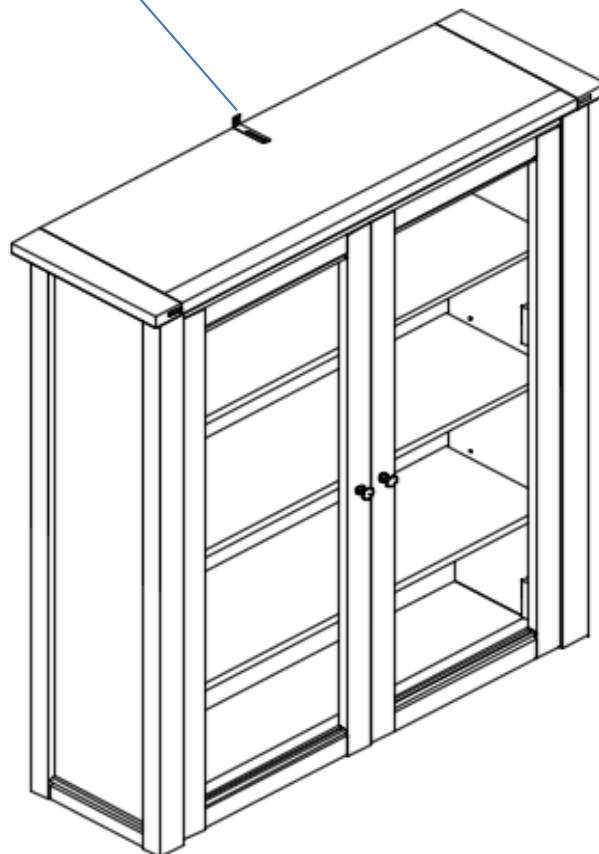
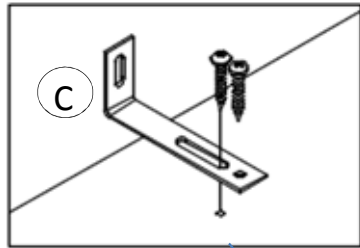
**Fixtures and fittings supplied(not to scale)**

Ref	Dimensions	Visual	Qty
B	N/A		2
C	N/A		1

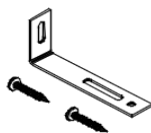
# next HUNTINGDON GLAZED DRESSER

174728  
Assembly instructions

1



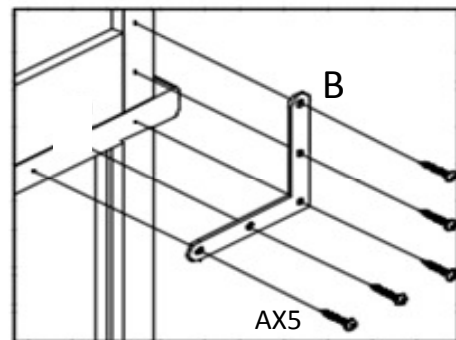
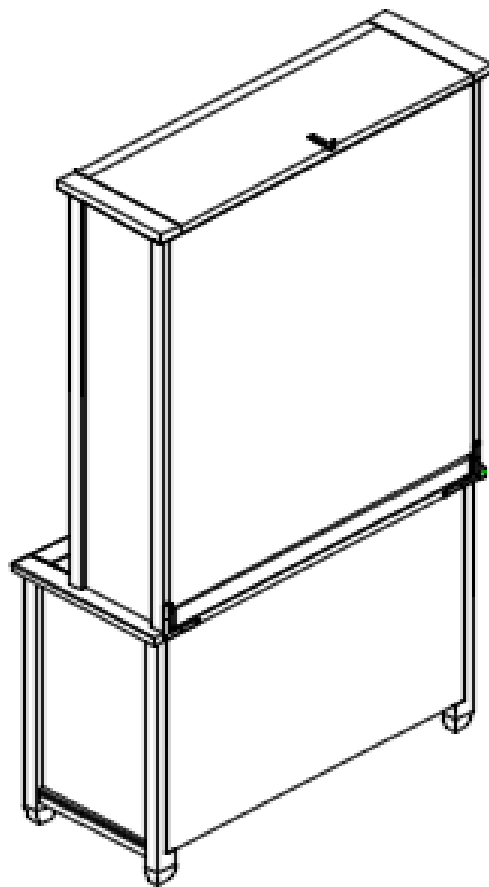
Cx1



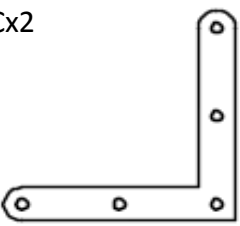


# next HUNTINGDON GLAZED DRESSER

174728  
Assembly instructions

2



 not supplied	Ax10 4x16 	Cx2 
--	---	--

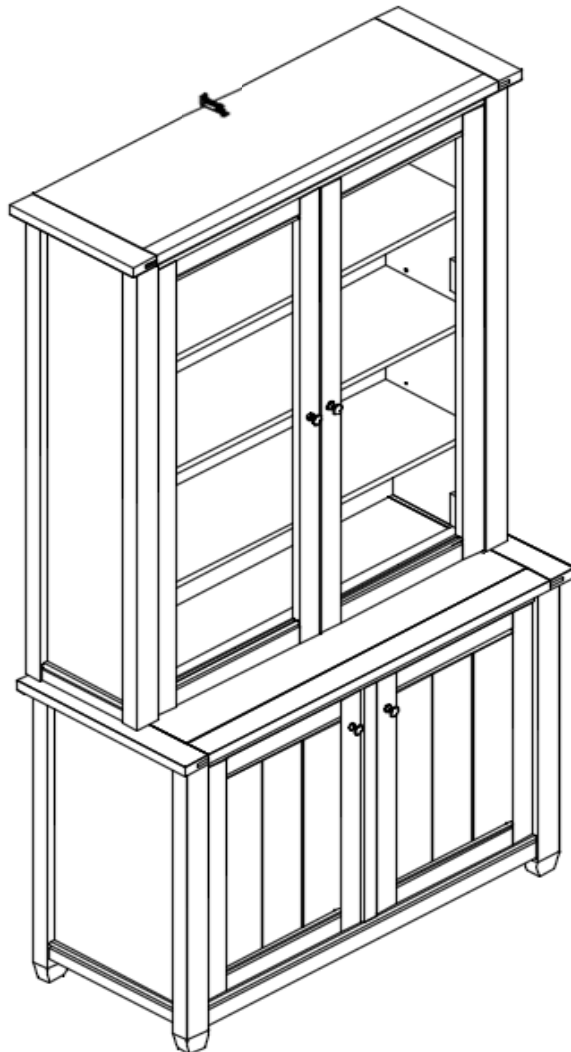
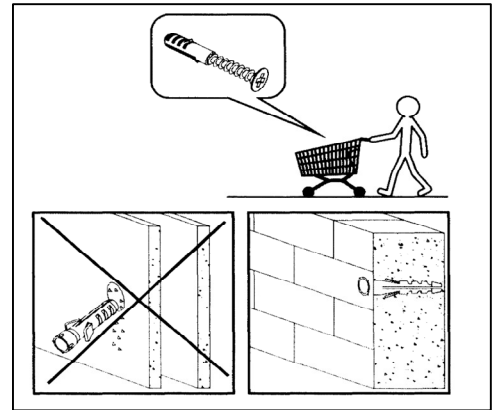
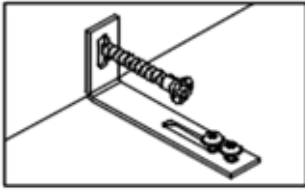
# next HUNTINGDON GLAZED DRESSER

174728  
Assembly instructions

3

**WARNING:** Always ensure the area to be drilled is free from hidden electrical wires, water and gas pipes.

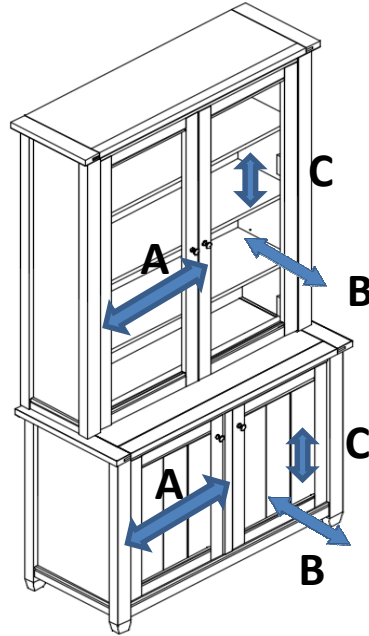
**NOTE:** Wall fixings are not included, please source suitable fixings for your wall type, if in doubt, please consult a qualified tradesman.



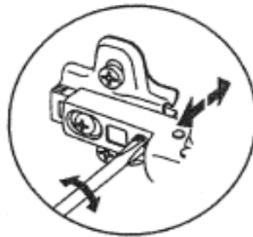
# next HUNTINGDON GLAZED DRESSER

174728  
Assembly instructions

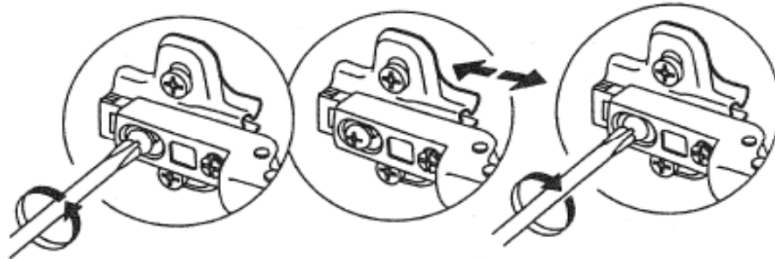
4



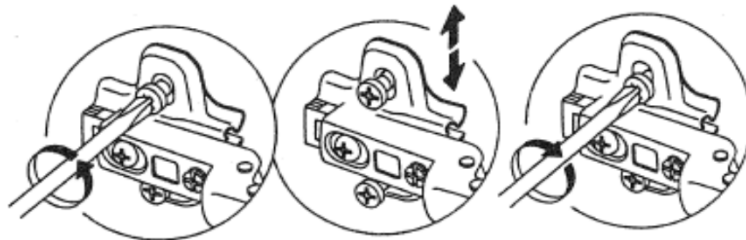
A



B



C

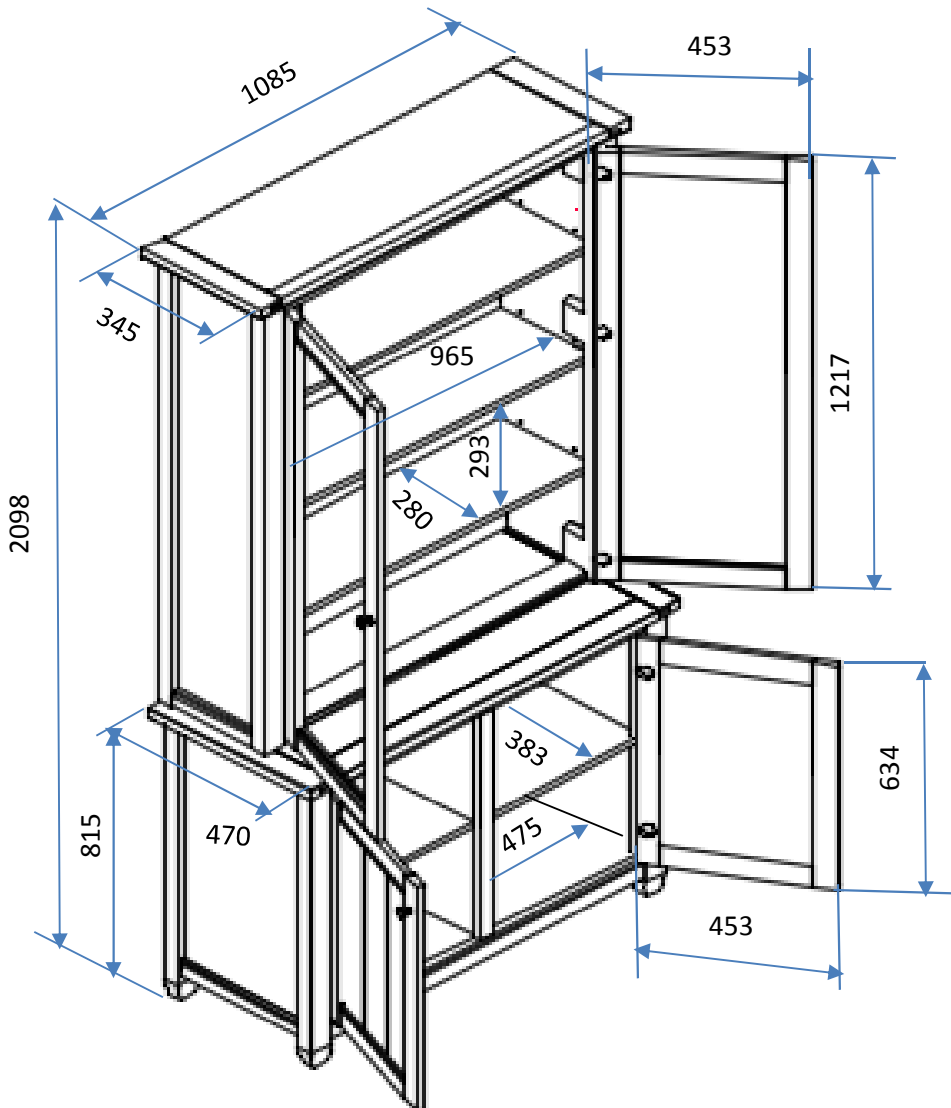




# next HUNTINGDON GLAZED DRESSER

174728

**Actual product size**  
H209,8x W108,5 x D47cm



All dimensions in mm