

BEFORE YOU GET STARTED...

We're confident you'll love your gorgeous new Next furniture. However, it's worth making absolutely certain before you put it all together.

So, let's quickly run through these three steps:

1. COLOUR

Make sure you're happy with the colour
No need to unpack everything, just check the first component.

2. PROTECTIVE PACKAGING

If you're happy, then it's time to get opening! Start by laying everything out on the protective packaging – this will prevent anything getting scratched.

3. PARTS PAGE

Finally, double check you have all the pieces by referencing the parts page of the instructions.

TIPS FOR RETURNS

Not completely happy with the product? No problem. We just need everything back in the original packaging, so follow the steps below and this will ensure a super-smooth returns process and no delay to your refund.

DO



- Check everything is there (the 'parts page' is a handy checklist).
- Pop all the loose fittings and fixtures into the packaging provided or tie them up in a plastic bag.
- Wrap all the big components back up in the original protective packaging.
- Close up the box and seal it securely (don't be afraid to use plenty of tape).

DON'T



- Leave anything assembled - all components should be dismantled and separately packed.
- Put loose fixtures and fittings straight into the box.
- Throw it back in the box carelessly – as it may get damaged.

next
HOME

Then just give us a call on 0333 777 8999 and we'll sort out a pick up time for you.

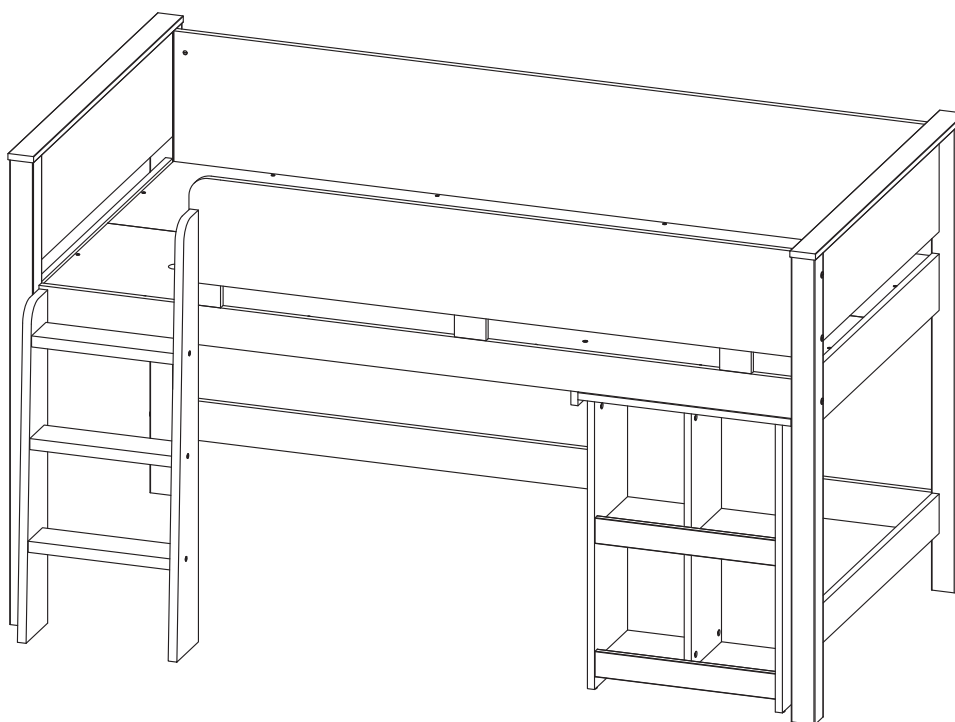
next

COMPTON MIDI SLEEPER

352998, 434408, 397772

Assembly instructions

Actual product size
H120 x W205 x D123



Need Help ?

With: Assembly instruction
Missing or damaged parts

IMPORTANT - RETAIN FOR FUTURE REFERENCE

CALL: 0333 777 8999

BEFORE YOU START

IMPORTANT - RETAIN FOR FUTURE REFERENCE - READ CAREFULLY.

This child's bed conforms to BS EN 747-1:2012 + A1 2015 WARNINGS

Routinely check that the upper safety rail and ladder attachment is secure and tighten any fittings using the appropriate tools

All assembly fittings shall always be tightened properly. Screws shall not be loose because a child can squeeze parts of the body, or clothing (e.g. strings, necklaces, ribbons for babies, dummies, etc.) could get caught. There would be danger of strangulation.

WARNING: Children can become trapped between the bed and the wall. To avoid risk of serious injury the distance between the top safety barrier and the wall shall not exceed 75mm or shall be more than 230mm

WARNING: Do not use this child's bed if any part is broken, torn or missing

WARNING: High beds and the upper bed of bunk beds are not suitable for children under six years due to risk of injury from falls

Do not leave items such as ropes, strings, cords, harnesses and belts attached to or hung to the bunk/high bed due to the risk of strangulation

Children are likely to play, bounce, jump and climb on beds, therefore the child's bed should not be placed too close to other furniture or windows, and should be placed either tight to any wall or have a gap of 300mm between the wall and the side of the bed

Do's

Always follow the manufacturer's instructions;

Ventilation of the room is necessary in order to keep the humidity low and to prevent mould in and around the bed;

When you are ready to start, make sure that you have the right tools and plenty of space

Due to the size of the product we recommend that it is assembled in the room intended for use

Unwrap all packaging materials and place the components on a clean surface to protect it from damage

We recommend that the packaging is used to protect the surfaces during assembly

Carefully check that you have all the parts before beginning assembly

To clean your item, wipe with a soft cloth slightly dampened with water. Then buff with a dry clean cloth

This bed is designed to be used with a mattress with the following dimensions H17 x W90 x D190cm.

Please ensure that the mattress depth does not go past the permanent mark on the post/Upper Safety Barrier

Please periodically check all fittings and re-tighten as necessary

Don'ts

Do not drag or pull your furniture

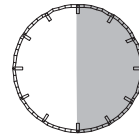
Do not use silicone based furniture polish. Silicone in furniture polishes can break down the finish

Do not stand or jump on this product

Number of people required to assemble

Two persons are required to assemble this item.

Time to assemble

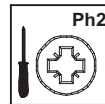


30 MIN

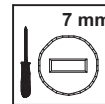
2 PERSON
BUILD



Tools required



not supplied



not supplied

Missing parts

If you are missing any fixtures and fittings for your product please contact our customer service team on 0333 777 8999 and they will be happy to arrange for a replacement to be sent to you free of charge.

Home service technicians

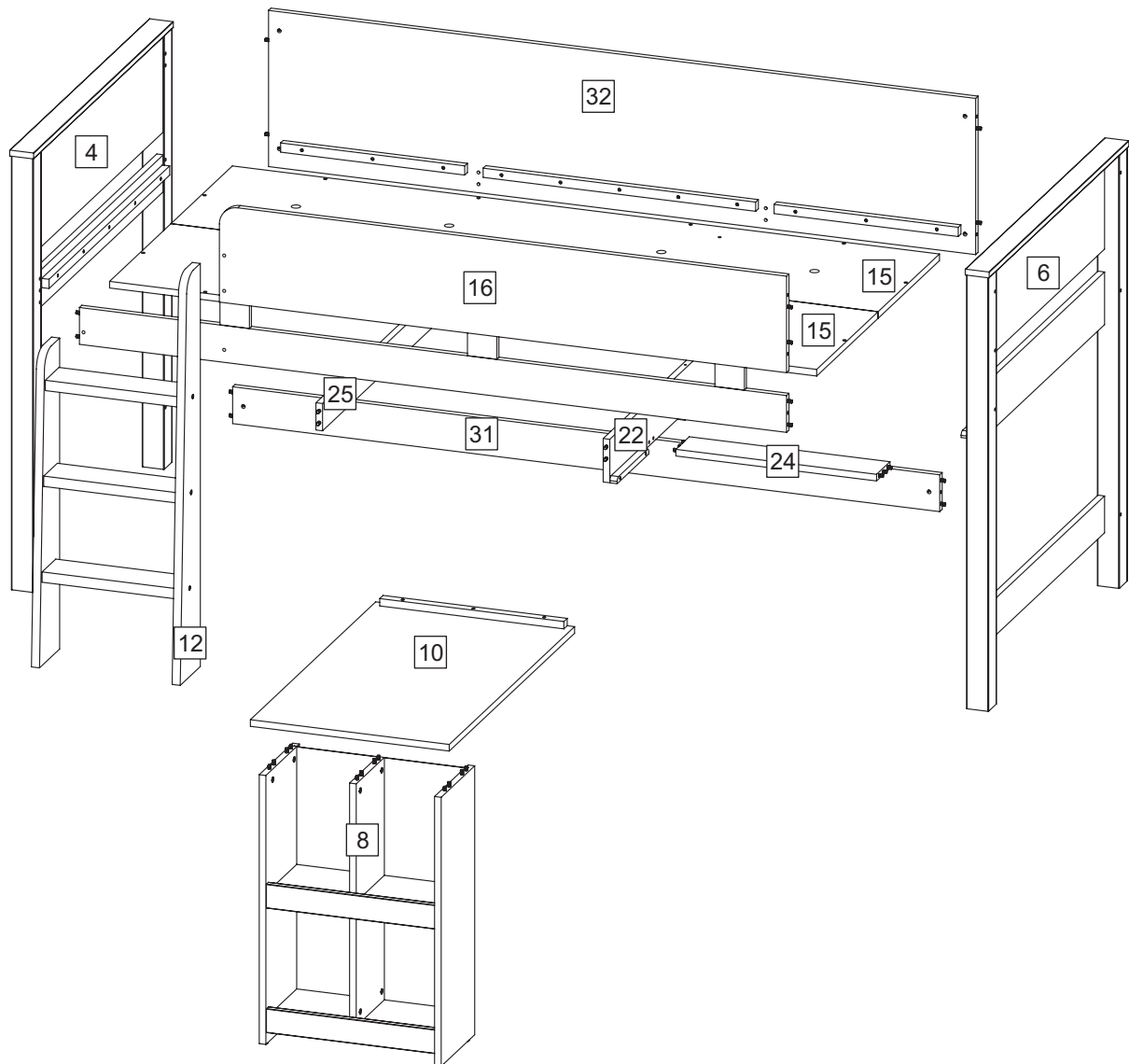
If you have a fault with your product, please contact our customer service team on 0333 777 8999. If you have had the product for 28 days or less you may be offered a replacement, refund or for a fully trained home service technician to visit your home to assess the fault and repair the product where possible. If you have had the product for more than 28 days we will send an independent home service technician to review and repair the product where possible and recommend further action.

You can write to us at

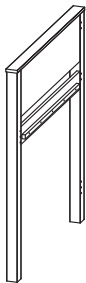
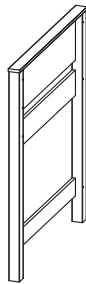
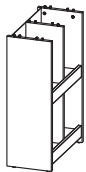
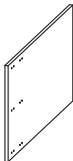
Home Customer Services
Next Retail Ltd.
Desford Road,
Leicester,
LE19 4AT


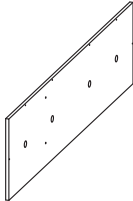
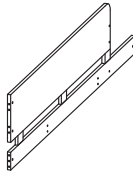
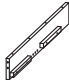

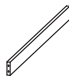
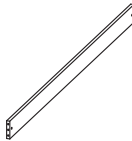
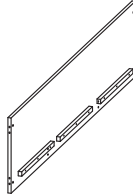
To view our full furniture range please visit www.next.co.uk

GETTING TO KNOW YOUR PRODUCT



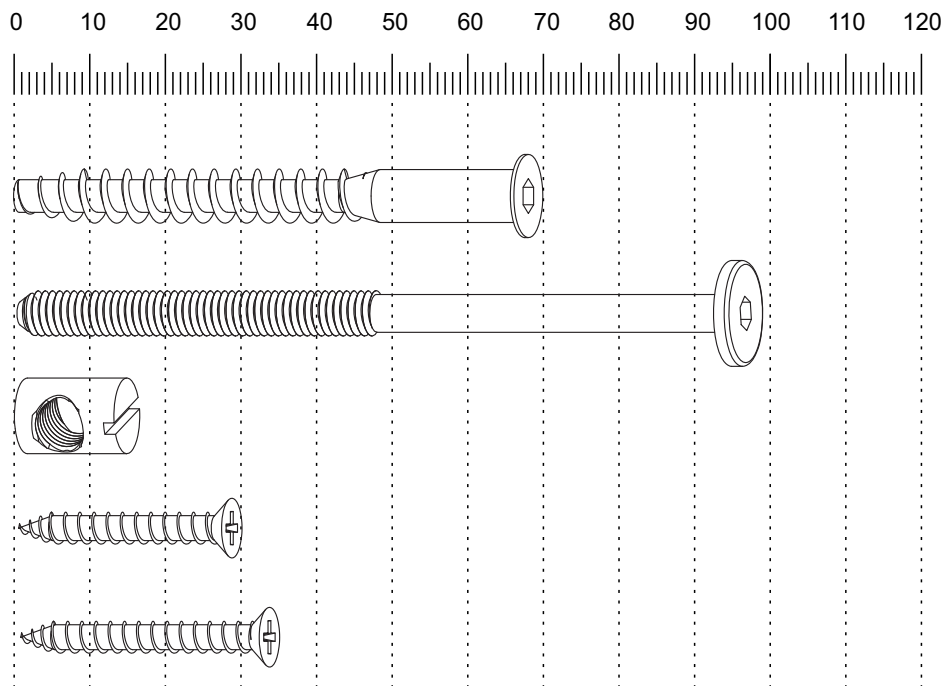
Components supplied. Please use this guide if you require replacement parts.

Ref	Dimensions	Visual	Qty	Ctn
4	120 x 104cm		1	
6	120 x 104cm		1	
8	75 x 45cm		1	
10	94 x 54cm		1	

Ref	Dimensions	Visual	Qty	Ctn
12	109 x 40cm		1	
15	192 x 46cm		2	
16	192 x 42cm		1	
22	92 x 12cm		1	
24	55 x 10cm		1	
25	92 x 7,4cm		1	
31	192 x 10cm		1	
32	192 x 42cm		1	

Fixtures and fittings supplied (actual size)

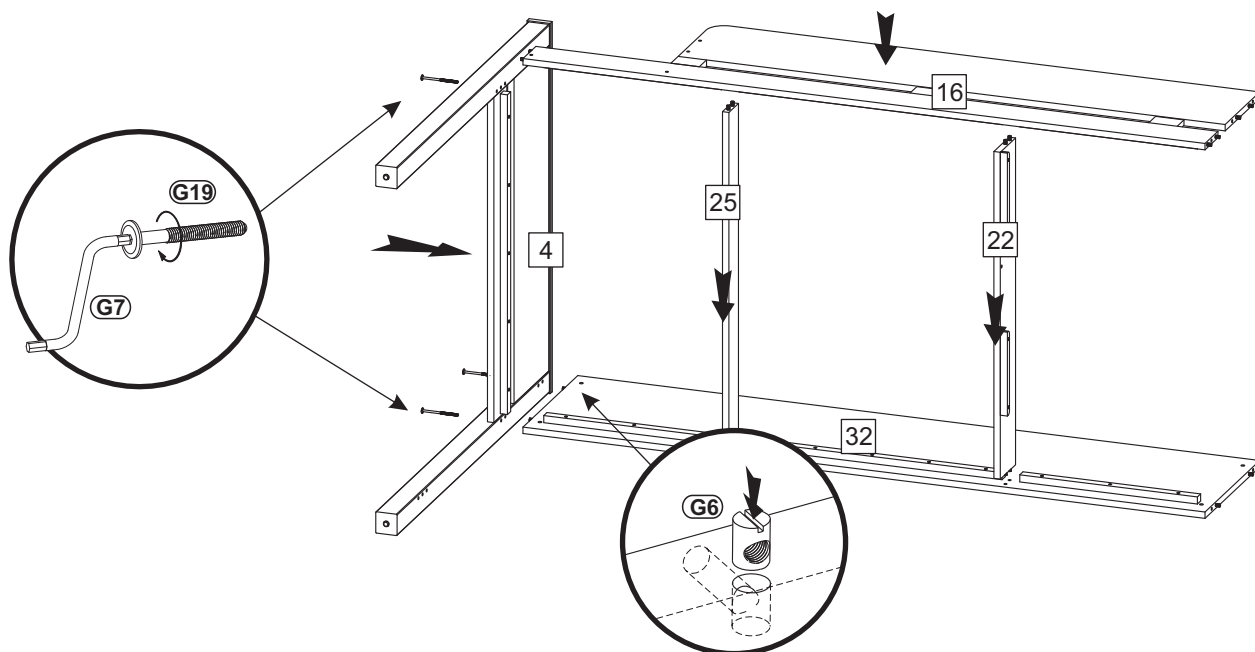
Ref	Dimensions	Qty
K2	7x70mm	8
G19	6x100mm	10
G6	10x13mm	10
S12	4x30mm	12
S13	4x35mm	1



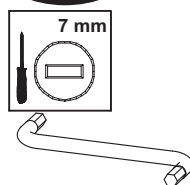
Fixtures and fittings supplied (not to scale)

Ref	Dimensions	Qty	Visual
G7	⬡ 4mm	2	

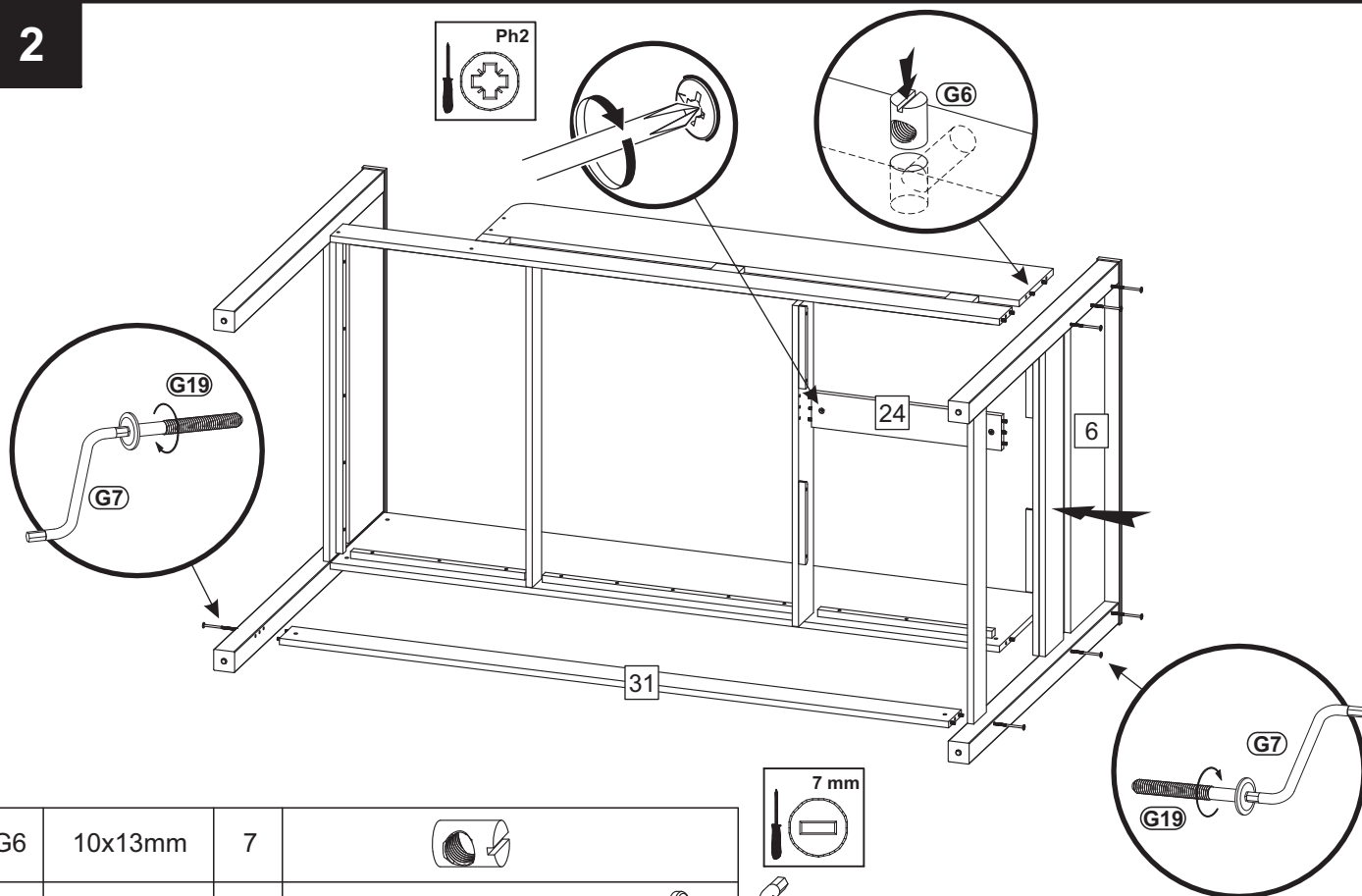
1



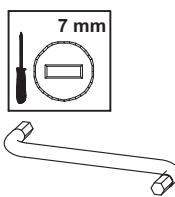
G6	10x13mm	3	
G19	6x100mm	3	



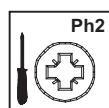
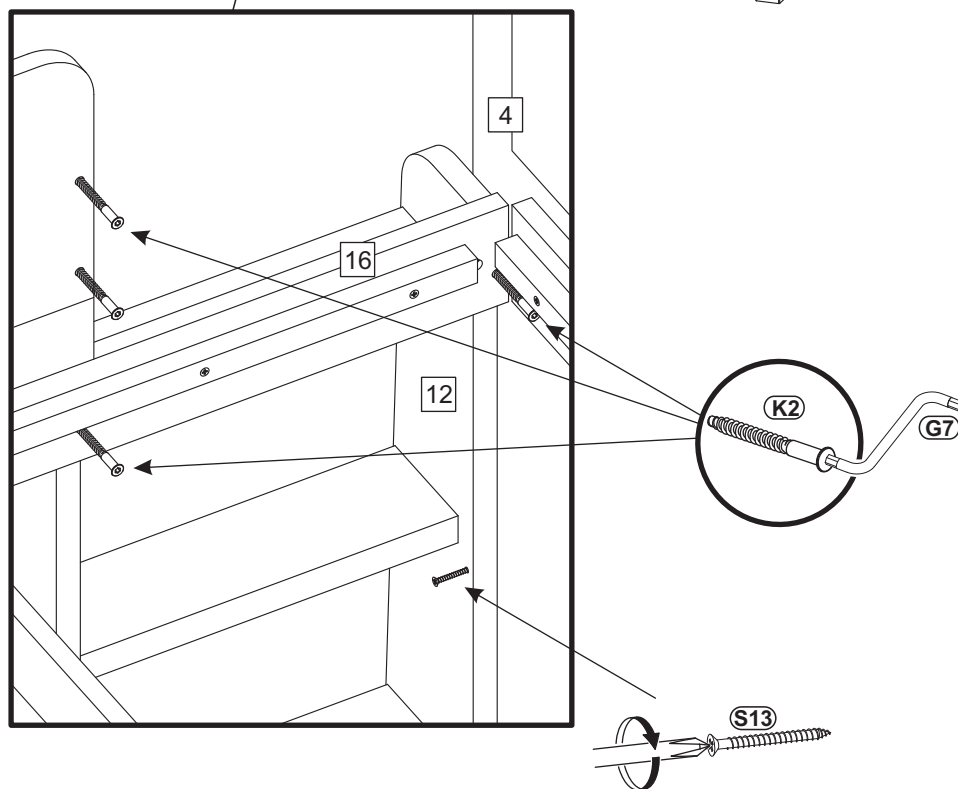
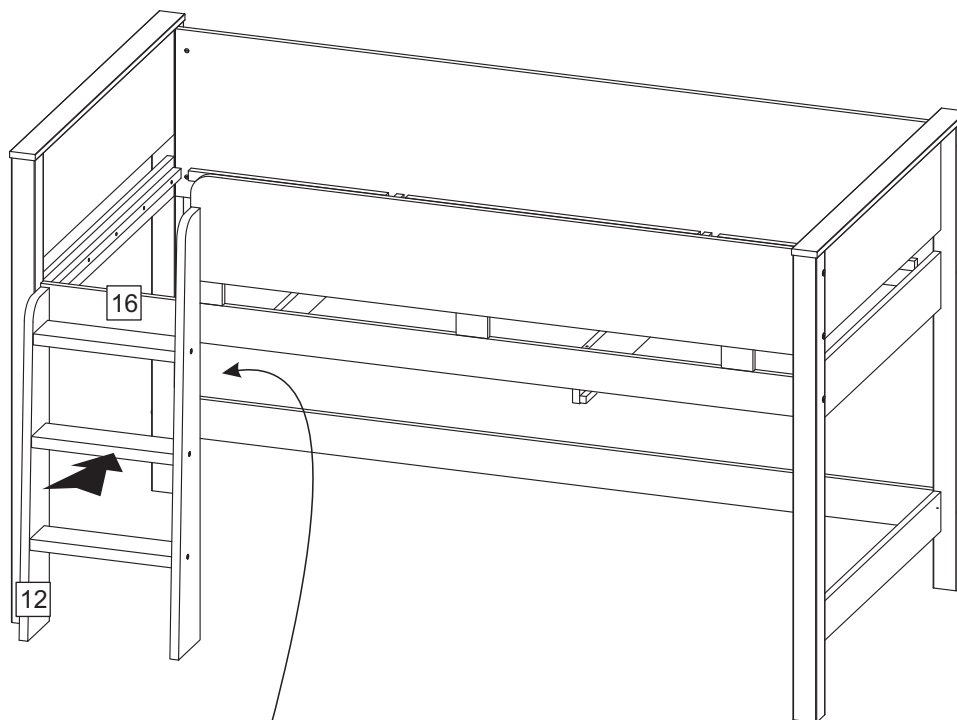
2

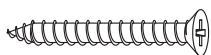



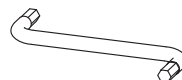
G6	10x13mm	7	
G19	6x100mm	7	



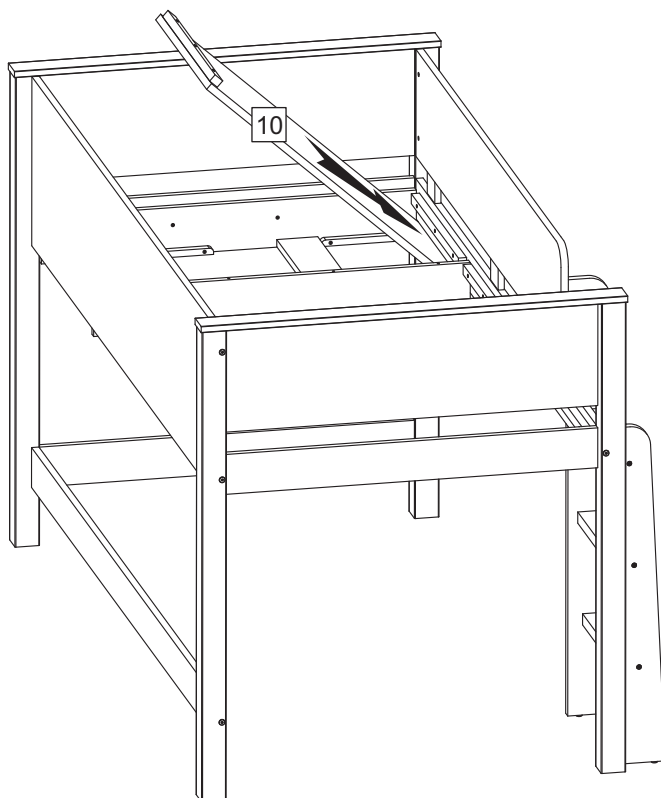
3



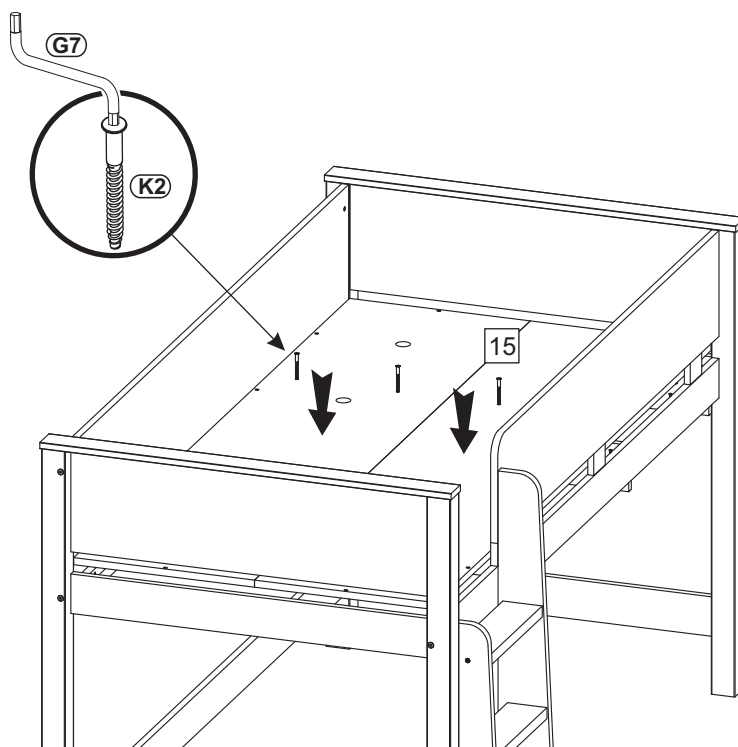
S13	4x35mm	1	
K2	7x70mm	4	

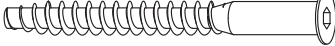



4

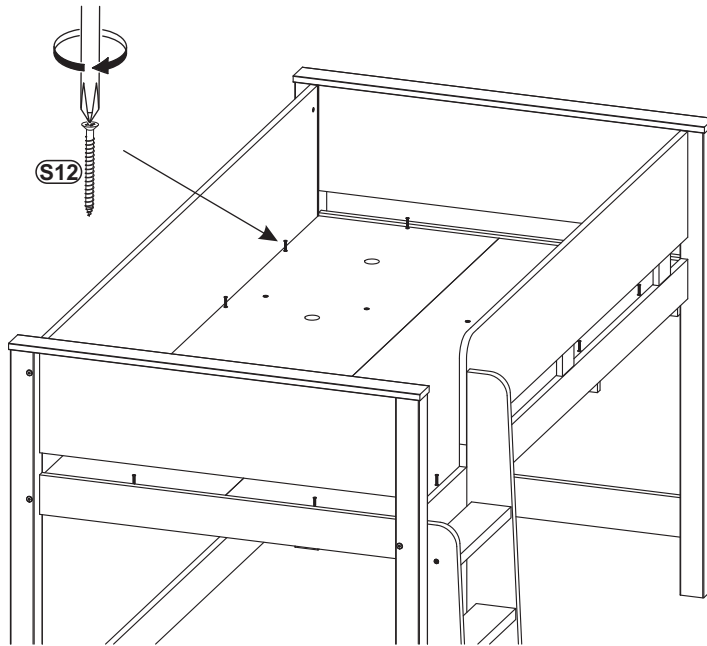



5



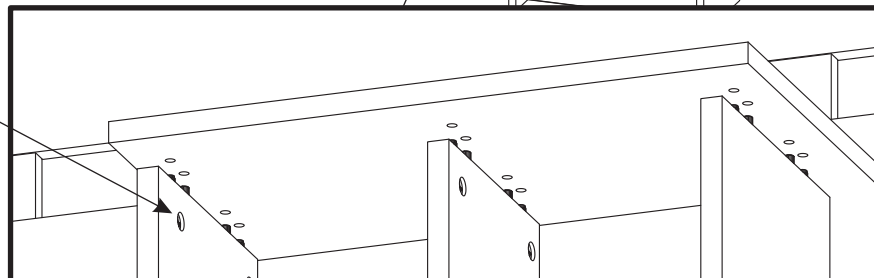
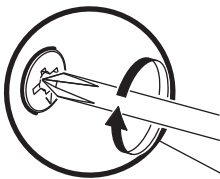
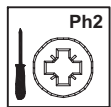
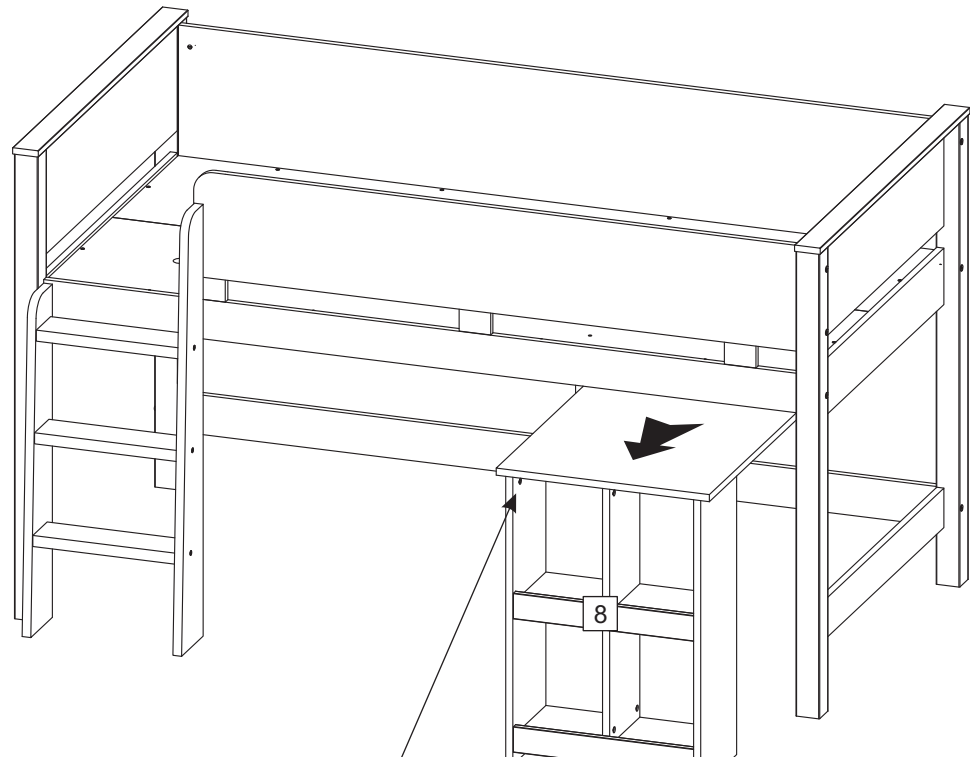
K2	7x70mm	4		
----	--------	---	-------------------------------------------------------------------------------------	-------------------------------------------------------------------------------------

6



S12	4x30mm	12	
-----	--------	----	-----------------------------------------------------------------------------------

7



Actual product size
H120 x W205 x D123

