

next

HAVANA LIVING SET

356548

Assembly instructions

Actual product size

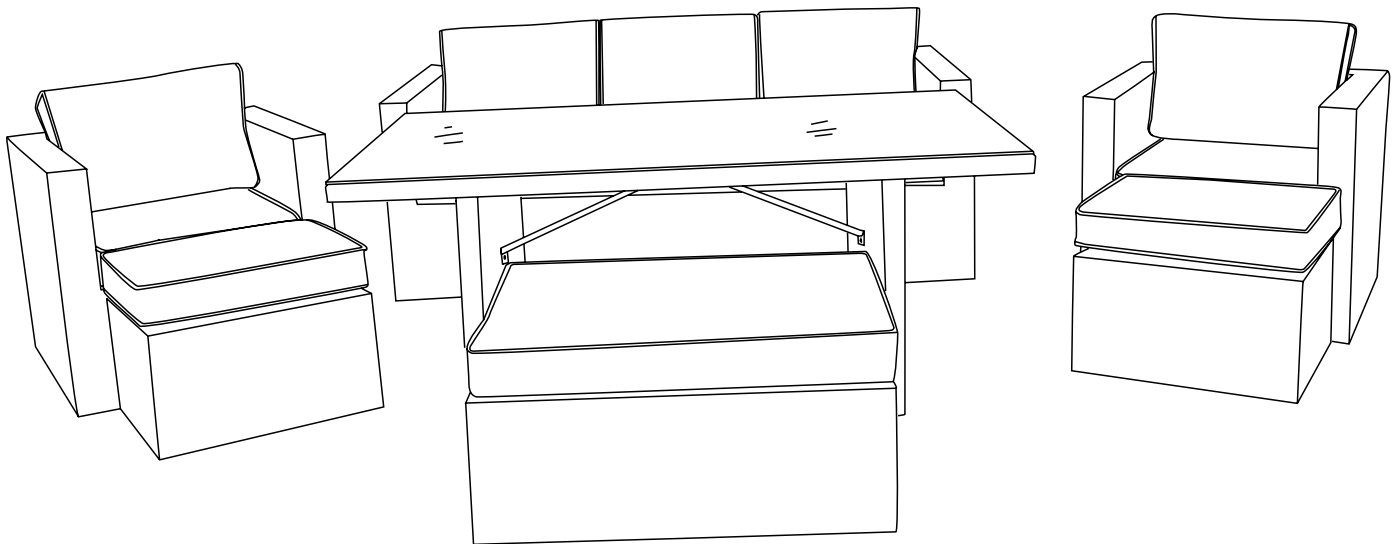
H69.5 x W171 x D100cm (TABLE)

H69.5 x W197 x D89cm (3-SEATER)

H69.5 x W79 x D72cm (SINGLE SOFA)

H33.5 x W90 x D60.5cm (BIG OTTOMAN)

H33.5 x W45.5 x D60.5cm (SMALL OTTOMAN)



Need Help?

With: Assembly Instructions
Missing or damaged parts

CALL: 0333 777 8999

IMPORTANT-RETAIN FOR FUTURE REFERENCE

BEFORE YOU START

Warnings

Important: Retain these instructions for future reference.

Unwrap all packaging materials and place the components on top of the carton box or on a clean floor to prevent it from scratching.

This product should only be used on firm, level ground. Keep small parts out of reach of children.

Do's

We suggest you spend a short time reading through this leaflet before you start.

When you are ready to start, make sure that you have the right tools, plenty of space and a clean, dry area for assembly.

Check the pack and make sure you have all the parts listed.

During assembly children should be kept away from the product due to possible risk of injury.

Tools included.

Due to the size of this product we recommend that it is assembled in the room intended for use.

Ensure that this product is fully assembled as illustrated before use.

Make sure the legs remain in contact with the ground.

Check all screws or bolts are tightened and inspect regularly.

To clean wipe with a sponge and warm soapy water. Do not use solvent based cleaners or detergents as they can bleach or damage the product.

Don'ts

Do not use power tools to construct this product.

Do not tighten screws until fully assembled.

Do not overtighten screws or bolts.

Do not sit or stand on the product.

Do not use this product if parts are missing, damaged or worn.

Never use scourers, abrasives or chemical cleaners.

Do not leave cushions outdoors when not in use.

Number of people required to assemble

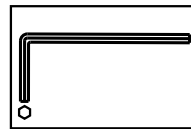
Two persons to assemble the unit and two persons to lift the unit into position.

Time to assemble



30 minutes

Tools required



supplied

Missing parts

If you are missing any fixtures and fittings for your product please contact our customer service team on 0333 777 8999 and they will be happy to arrange for a replacement to be sent to you free of charge.

Home service technicians

If you have a fault with your product please contact our customer service team on 0333 777 8999. If you have had the product for 28 days or less you may be offered a replacement, refund or for a fully trained home service technician to visit your home to assess the fault and repair the product where possible. If you have had the product for more than 28 days we will send an independent home service technician to review and repair the product where possible and recommend further action.

You can write to us at



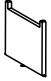

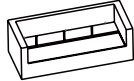

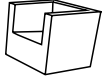

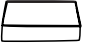
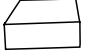
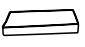


Next Retail Ltd.
Desford Road.
Leicester.
LE19 4AT

To view our full furniture range please visit www.next.uk

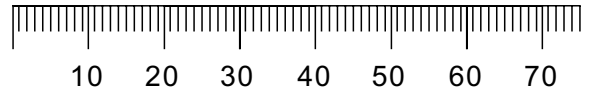
CUSTOMER HELPLINE

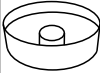
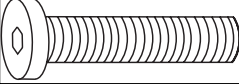
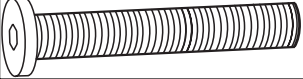
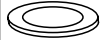

If you have any problem with this product or require any replacement fittings please contact customer services 0333 777 8999

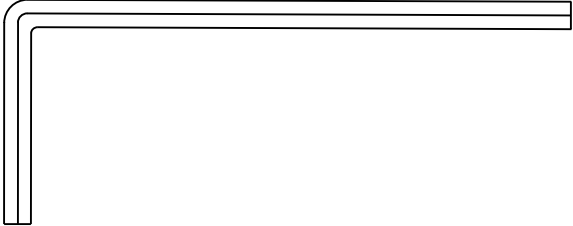
Components supplied

Ref	Dimensions	Visual	Qty
1	170x99cm		1
2	171x100cm		1
3	80x66cm		2
4	100x36cm		1
5	197x89cm		1
6	176x78cm		1
7	72x79cm		2
8	60x37cm		5
9	60x78cm		5
10	90x60.5cm		1
11	90x61cm		1
12	45.5x60.5cm		2
13	60x45cm		2

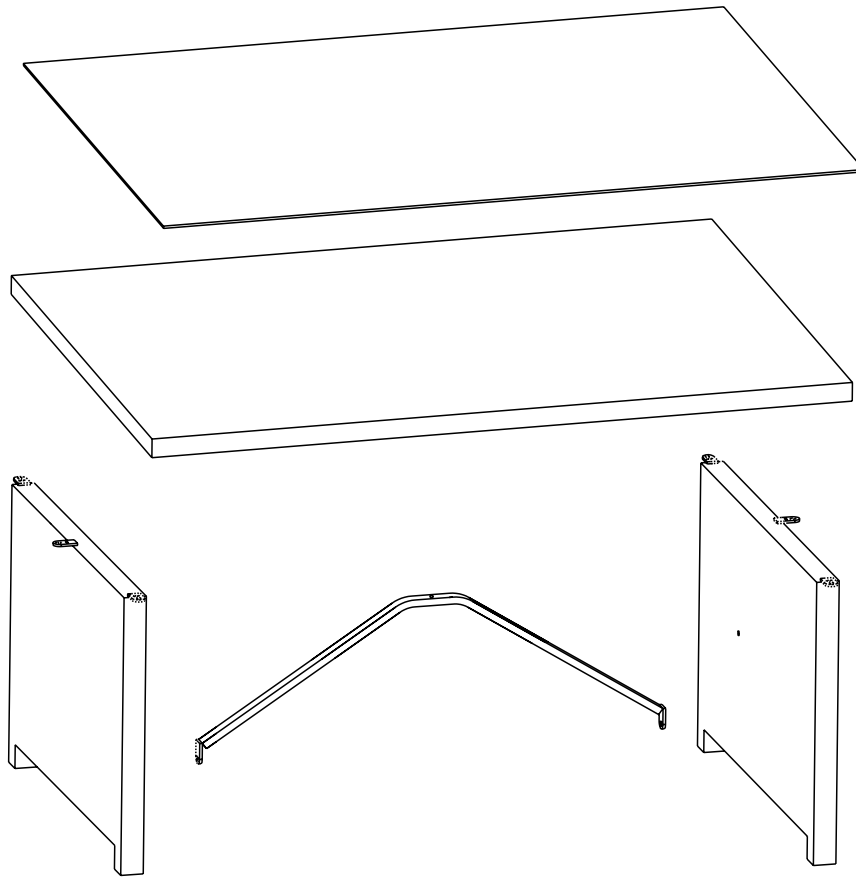
Fixtures and fittings supplied (actual size)



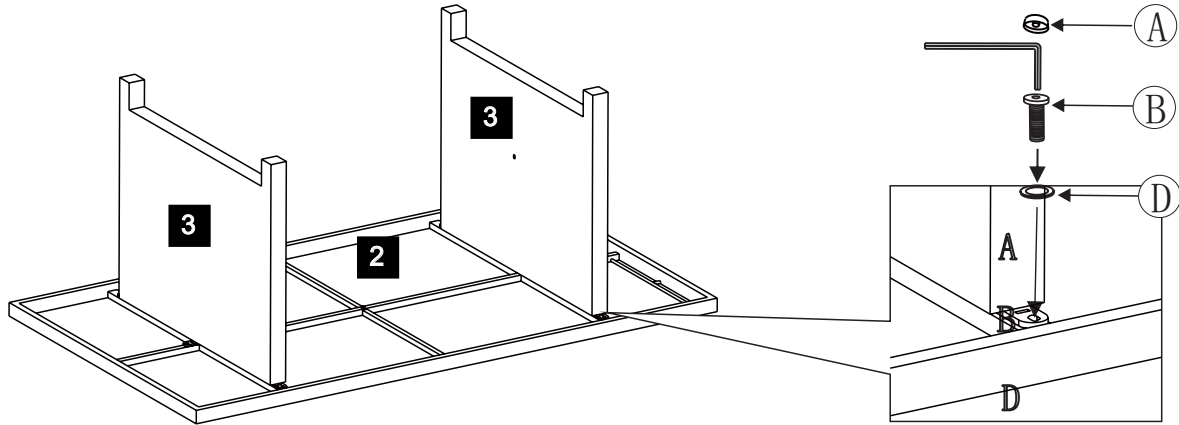
Ref	Dimensions	Visual	Qty	Spare Fitting
A	∅ 13 x 5 mm		10	2
B	∅ 6 x 25 mm		9	1
C	∅ 6 x 35 mm		1	1
D	∅ 12 x 1.0 mm		10	2
E	55x28x20mm		2	0





F	6 x 75mm		1
---	----------	---	---

GETTING TO KNOW YOUR PRODUCT

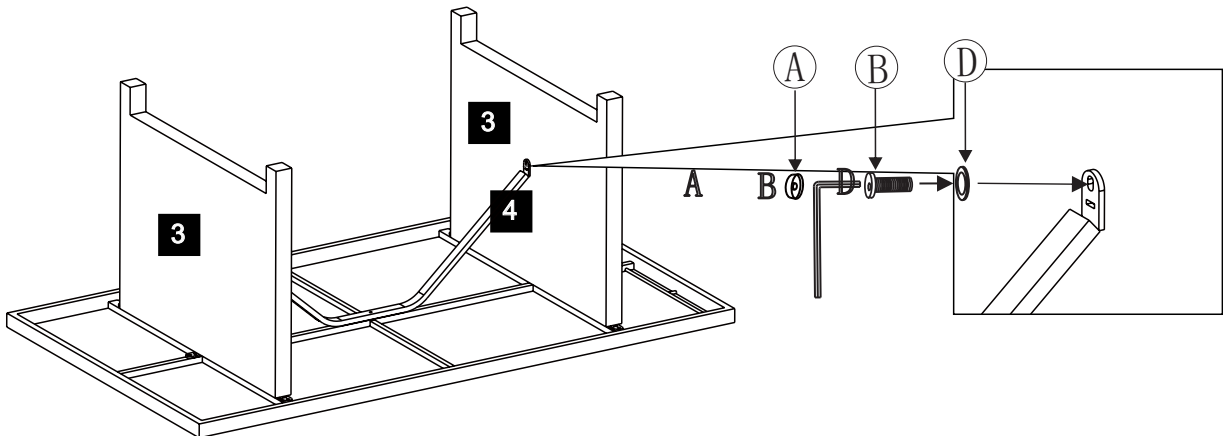






1 Tip - Do not fully tighten the bolts until the item is fully assembled.



	A x 6 ø13x5mm
	B x 6 ø6x25mm
	D x 6 ø12x1.0mm
	F x 1 6x75mm

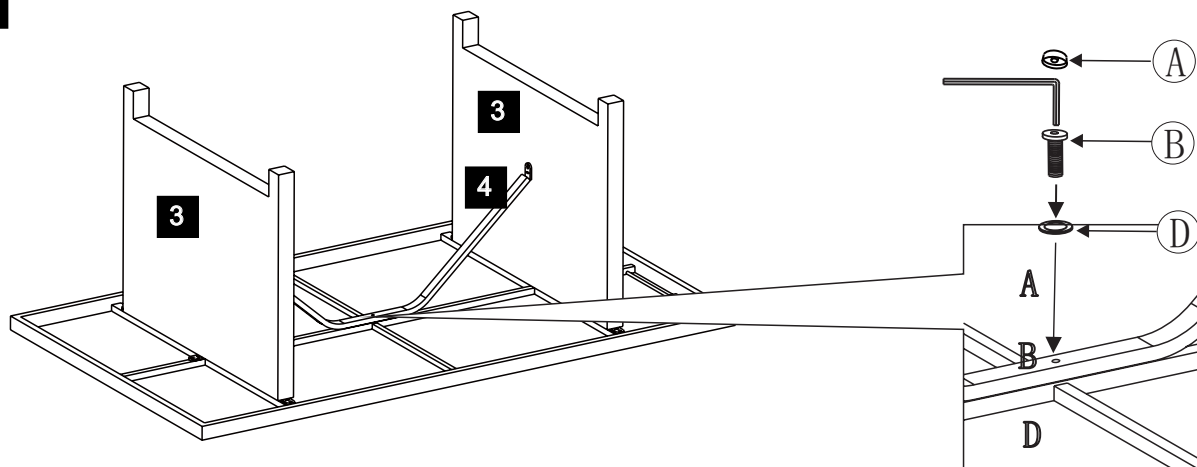
2







	A x 2 ø13x5mm
	B x 2 ø6x25mm
	D x 2 ø12x1.0mm
	F x 1 6x75mm

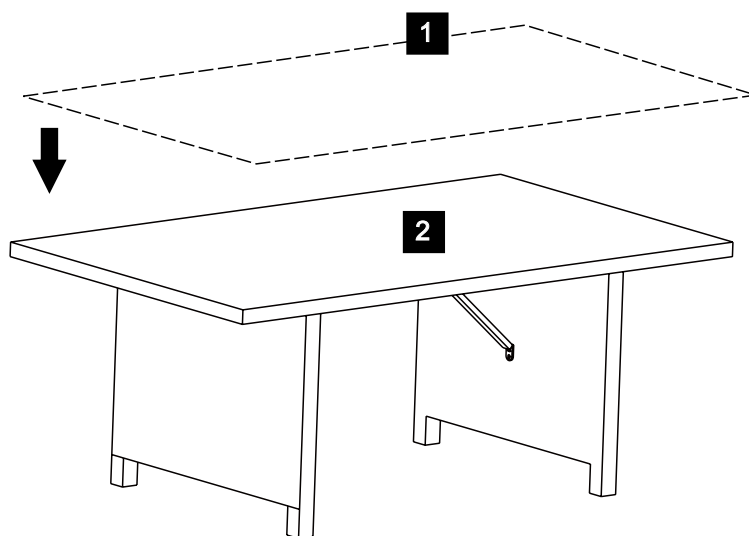
- Remember to fully tighten all bolts before turning over.

3

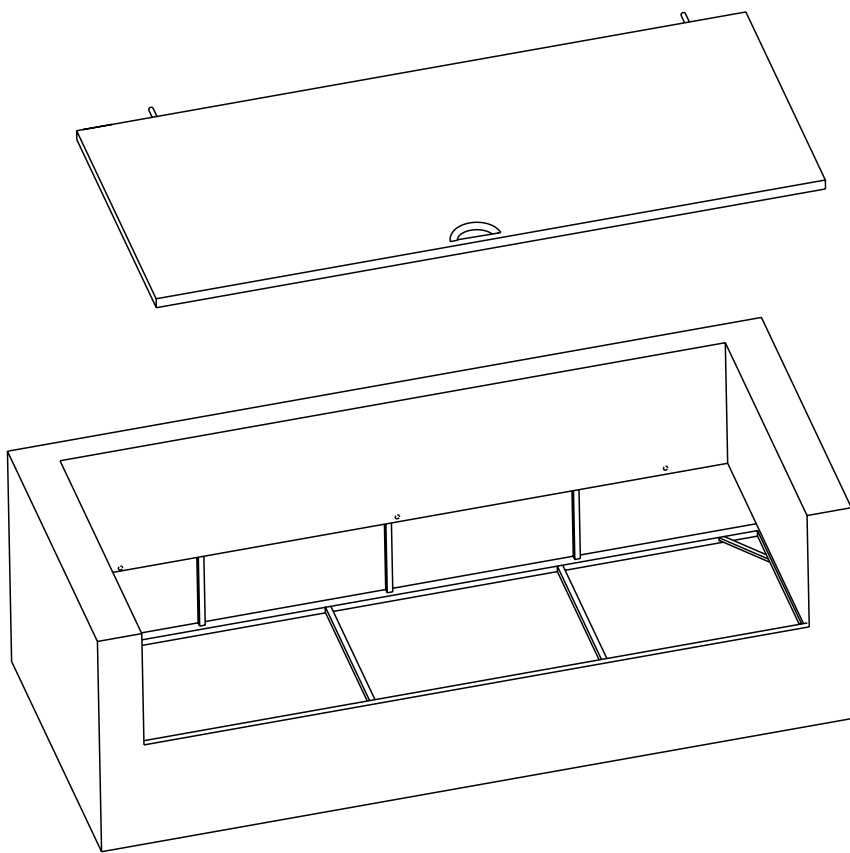


	A x 1 ø13x5mm
	B x 1 ø6x25mm
	D x 1 ø12x1.0mm
	F x 1 6x75mm

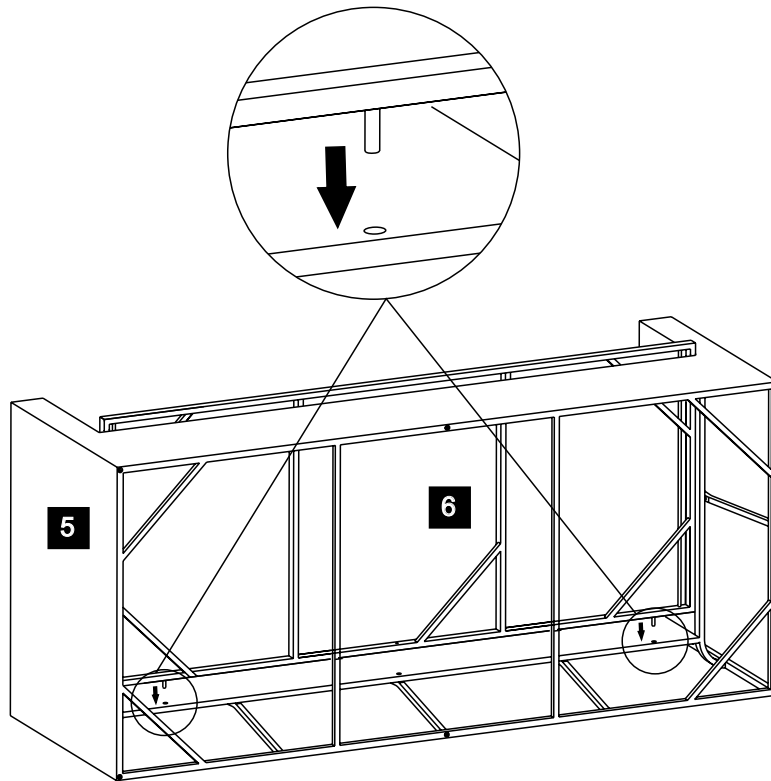
4



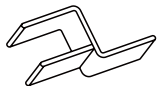
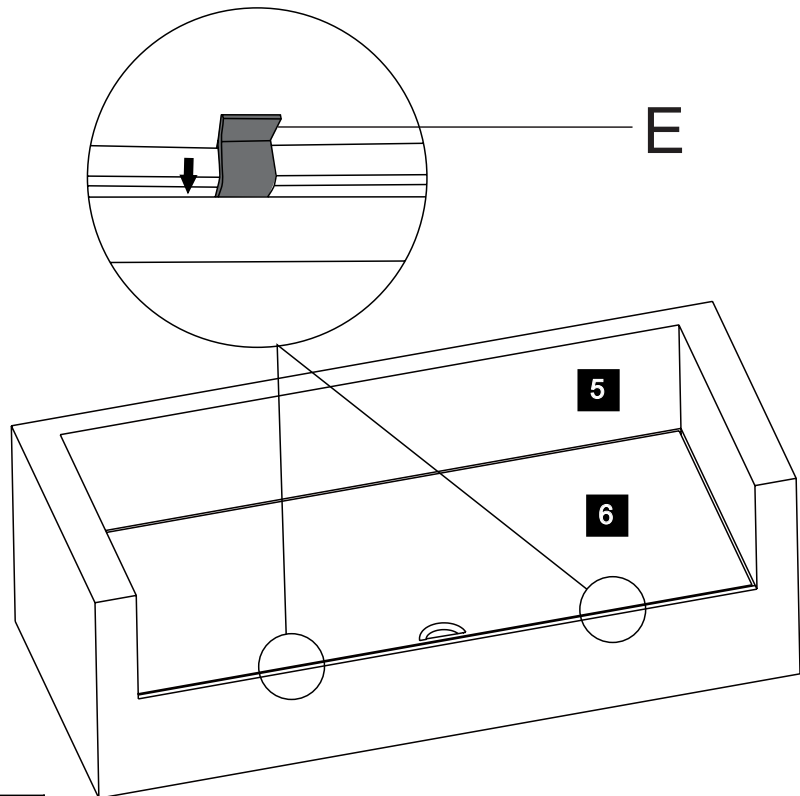
GETTING TO KNOW YOUR PRODUCT



1 Tip - Do not fully tighten the bolts until the item is fully assembled.



2

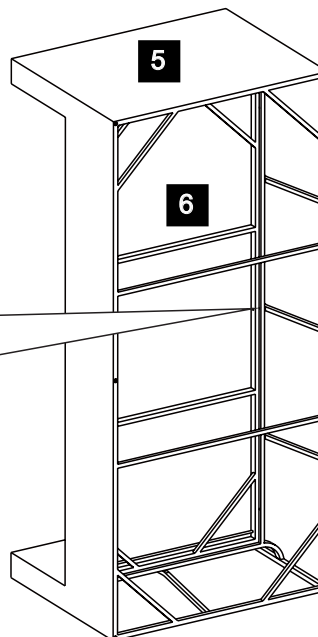
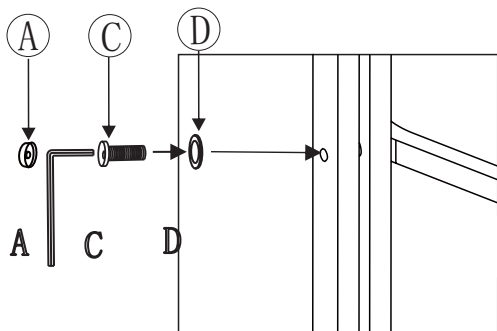






E x 2

55x28x22mm

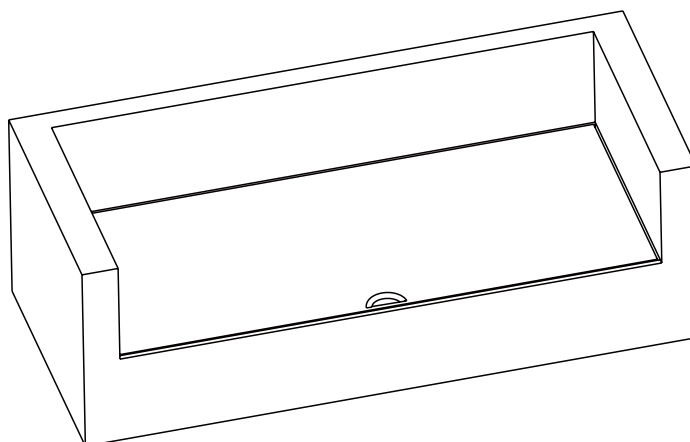
- Remember to fully tighten all bolts before turning over.

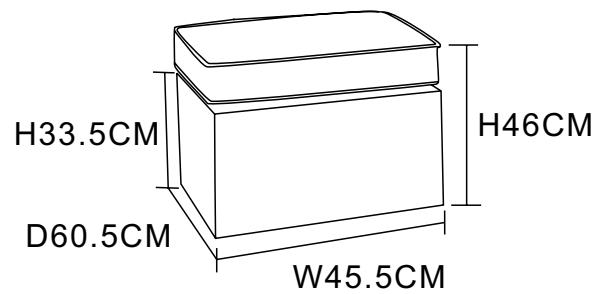
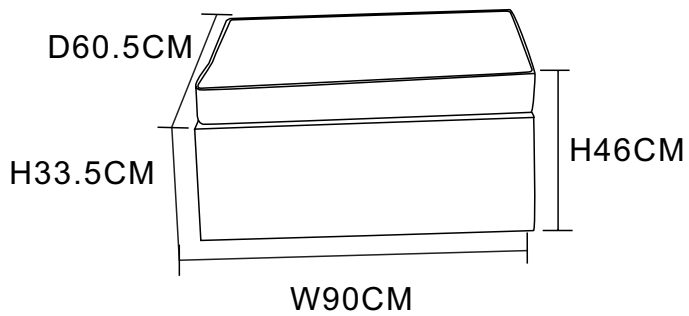
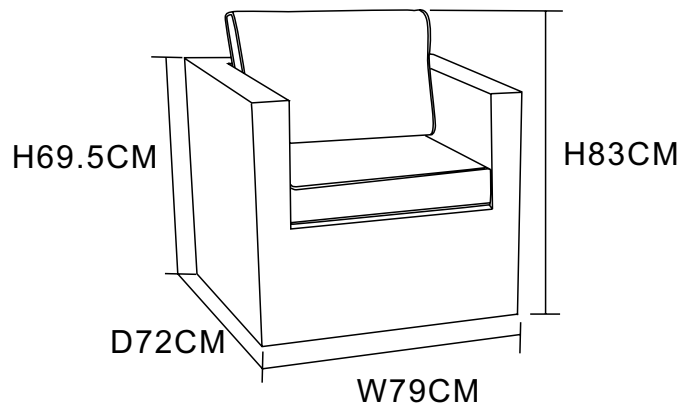
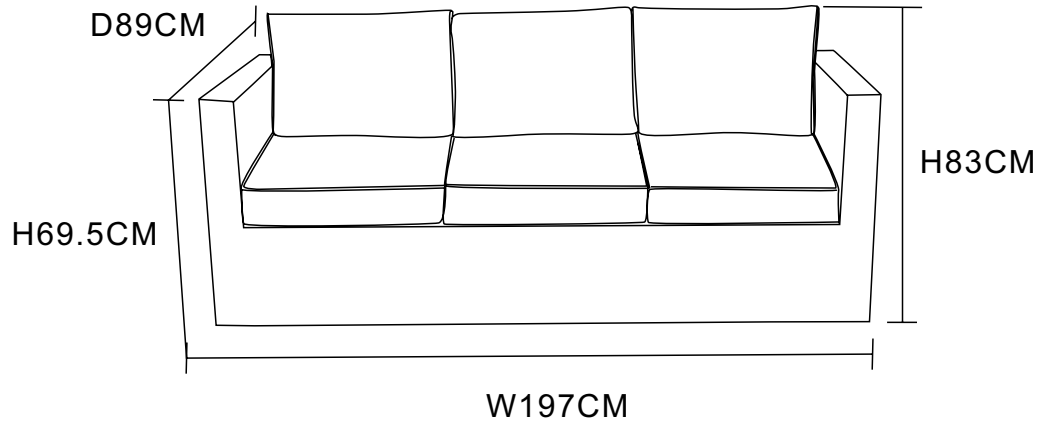
3 Tip - Do not fully tighten the bolts until the item is fully assembled.



	A x 1 ø13x5mm
	C x 1 ø6x35mm
	D x 1 ø12x1.0mm
	F x 1 6x75mm

4





IMPORTANT-RETAIN FOR FUTURE REFERENCE