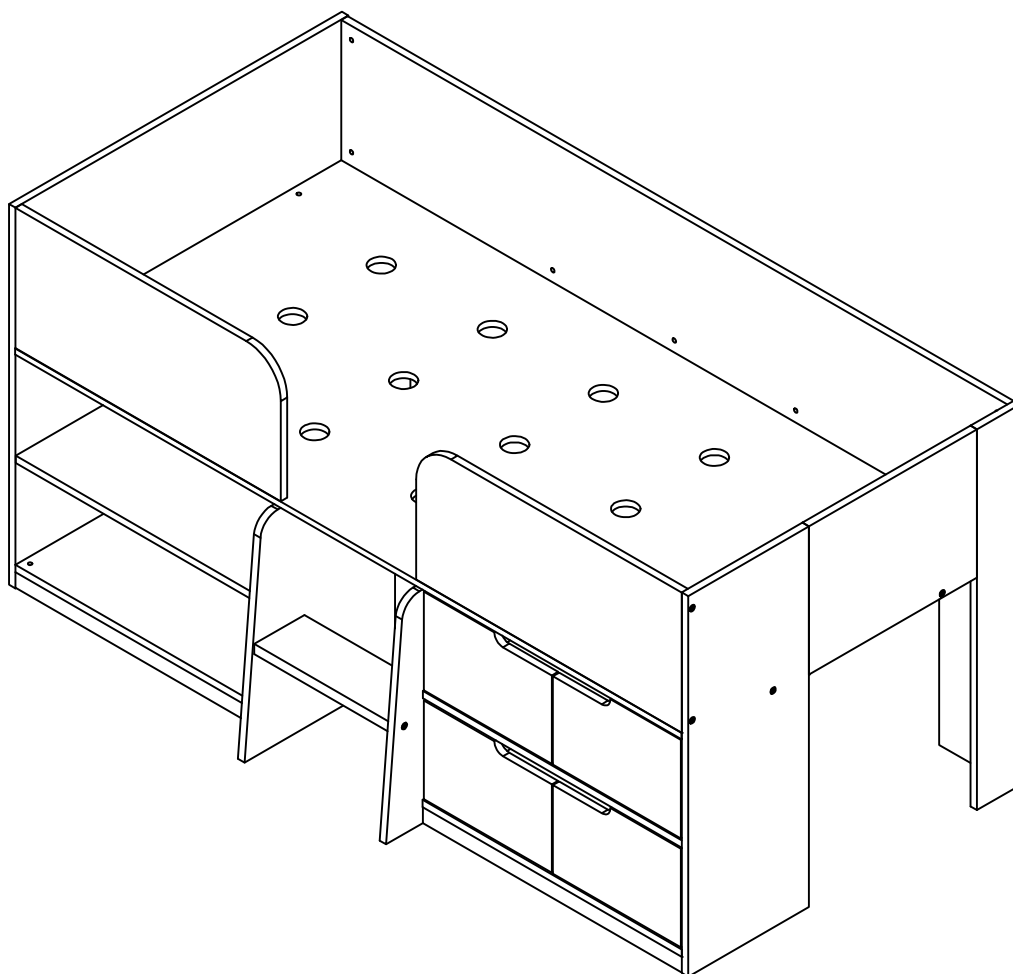


next

OAK/WHITE/GREY/BLUE/PINE FOIL CABIN BED(EA)
362620/992128/122245/463645/410864
Assembly instructions

Actual product size

H95 x W196 x D96cm



**IMPORTANT- RETAIN FOR
FUTURE REFERENCE-
READ CAREFULLY.**

This child's bed conforms to BS EN 747-1:2012+A1:2015
and BS EN 747-2:2012+A1:2015

Need Help ?

With: Assembly instruction
Missing or damaged parts

CALL: 0333 777 8999

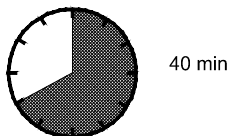
BEFORE YOU START

Number of people required to assemble

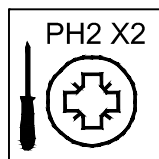
Two people are required to assemble this item



Time to assemble



Tools required



not supplied

Do's

We suggest you spend a short time reading through this leaflet before you start.

When you are ready to start, make sure that you have the right tools and plenty of space.

Unwrap all packaging materials and place the components on a clean surface to protect it from damage. We recommend that the packaging is used to protect the surfaces during assembly.

Carefully check that you have all the parts before beginning assembly.

Due to the size of this product we recommend that it is assembled in the room intended for use.

Ensure the product is fully assembled as illustrated and all fixings fully tightened before use.

Wipe occasionally with a soft cloth slightly dampened with water. Then buff with a dry clean soft cloth.

Wood will mellow and change colour over time, we recommend that ornaments and items placed on the surface are moved regularly for the first few months to prevent uneven mellowing.

Don'ts

Do not drag or pull your furniture.

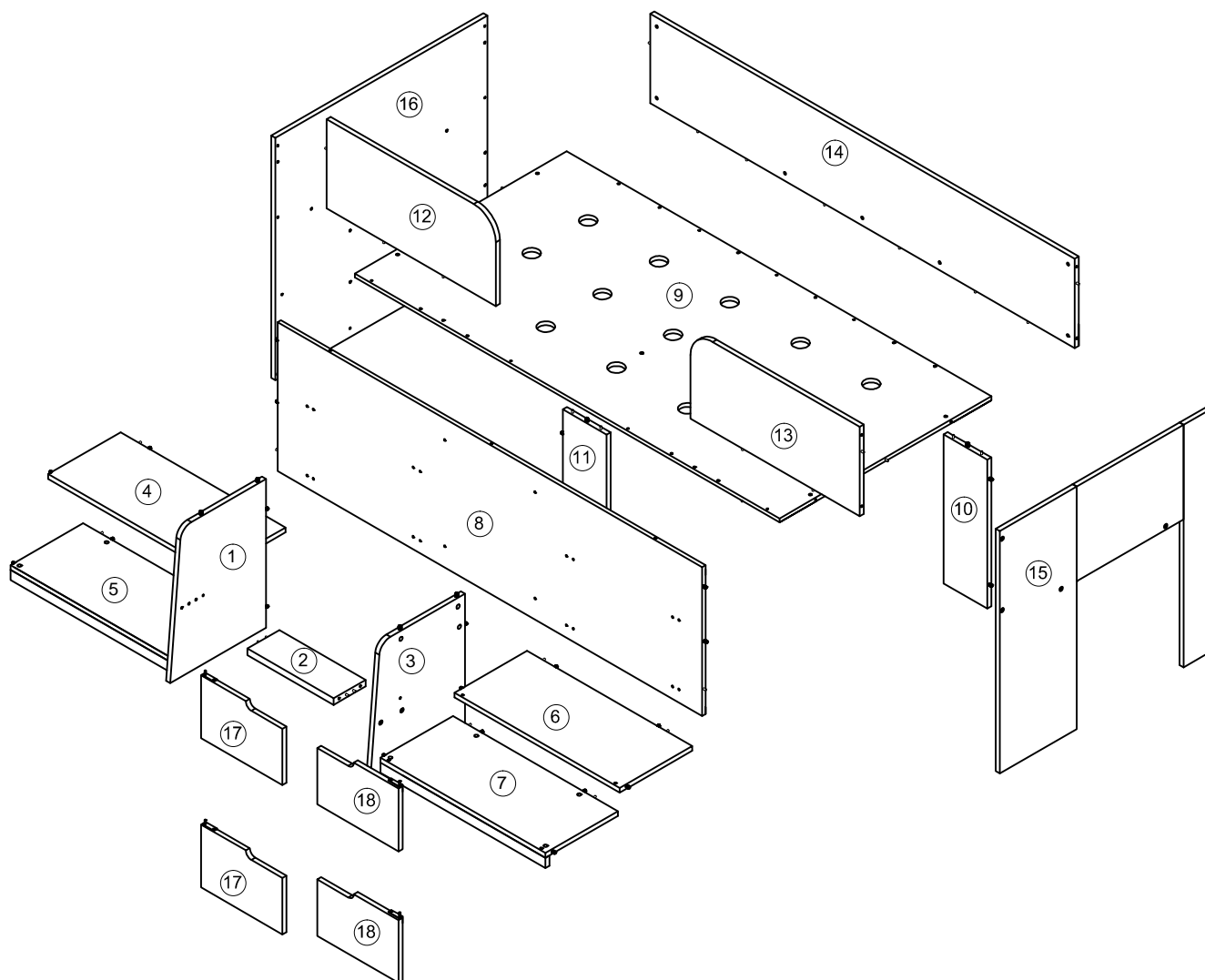
Do not rub or scrub the surface when cleaning.

Do not use silicone based furniture polish. Silicone in furniture polishes can break down the finish.

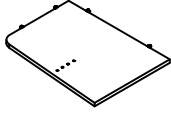
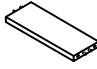
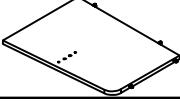
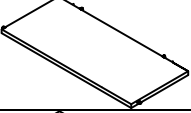
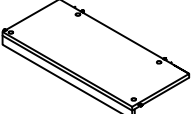
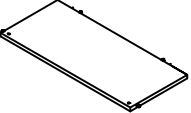
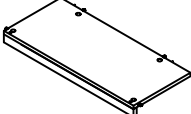
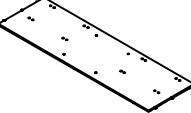
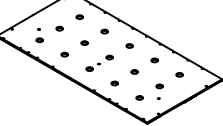
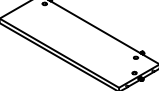
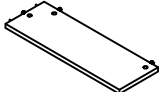
Never allow any kind of liquid to remain on your furniture. Absorption can cause wood to warp or finishes to de-laminate.

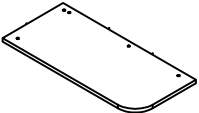
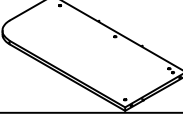
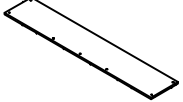
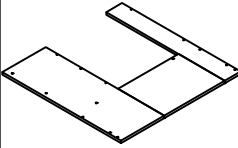
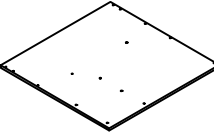
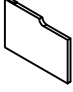
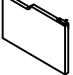
Do not place hot items (e.g. hot drinks) directly on to the wood surface. Please make sure you use a placemat or coaster.

GETTING TO KNOW YOUR PRODUCT



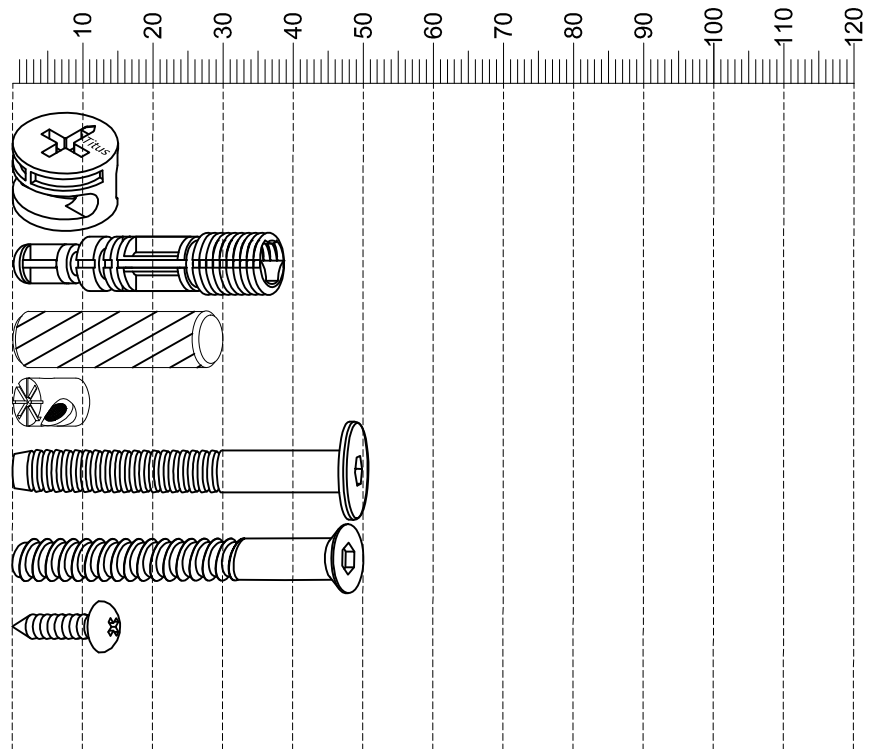
Components supplied. Please use this guide if you require replacement parts.

Ref	Dimensions	Visual	Qty	Ctn
1	43 x 58cm		1	1
2	15 x 39cm		1	1
3	43 x 58cm		1	1
4	33 x 75cm		1	1
5	33 x 75cm		1	1
6	33 x 75cm		1	1
7	33 x 75cm		1	1
8	58 x 192cm		1	2
9	96 x 192cm		1	2
10	20 x 58cm		1	1
11	20 x 58cm		1	1

Ref	Dimensions	Visual	Qty	Ctn
12	35 x 77cm		1	1
13	35 x 77cm		1	1
14	35 x 192cm		1	2
15	95 x 96cm		1	3
16	95 x 96cm		1	3
17	25 x 37cm		2	1
18	25 x 37cm		2	1

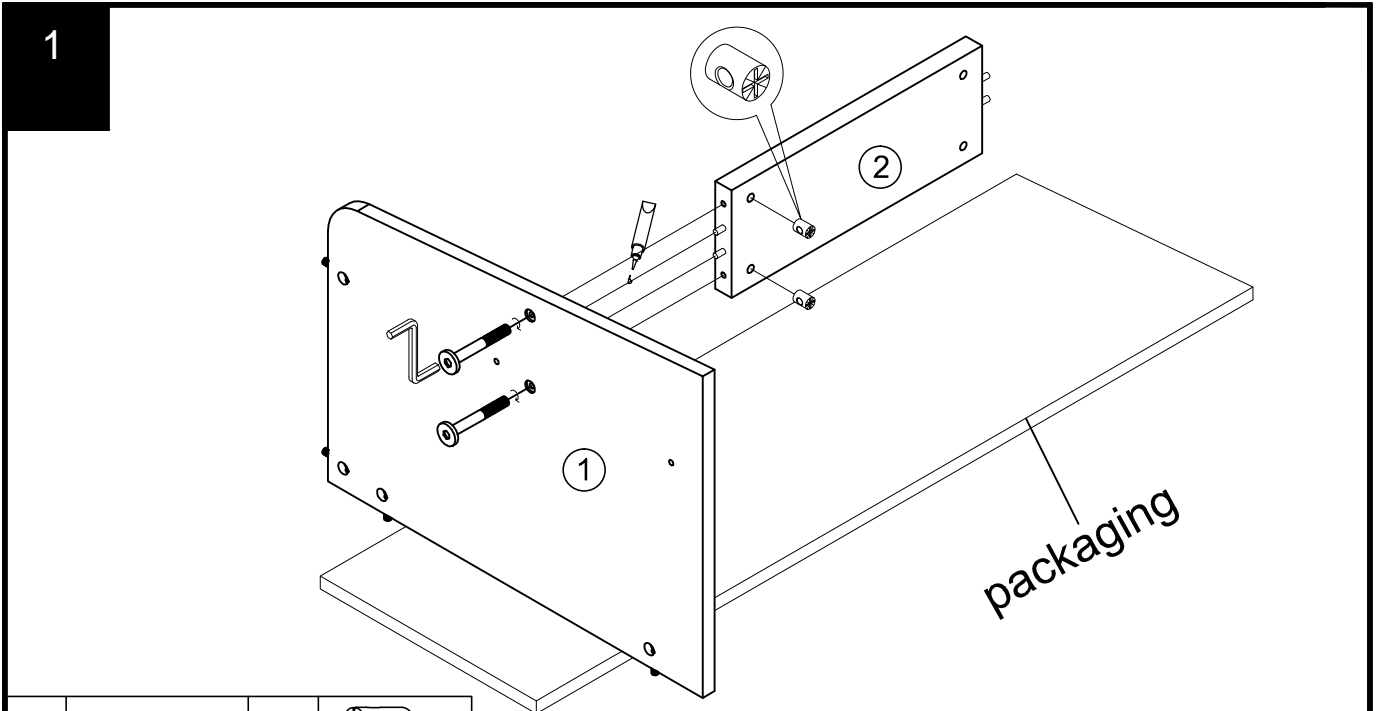
Fixtures and fittings supplied (actual size)

Ref	Dimensions	Qty	Spare Qty
B3	Ø15 x 12mm	N/A	2
B8	Ø8 x 38mm	N/A	2
D6	Ø8 x 30mm	N/A	2
K6	Ø10 x 11mm	25	2
V77	Ø6 x 50mm	25	2
Y8	Ø6 x 50mm	3	1
S17	Ø3.5 x 12mm	8	1

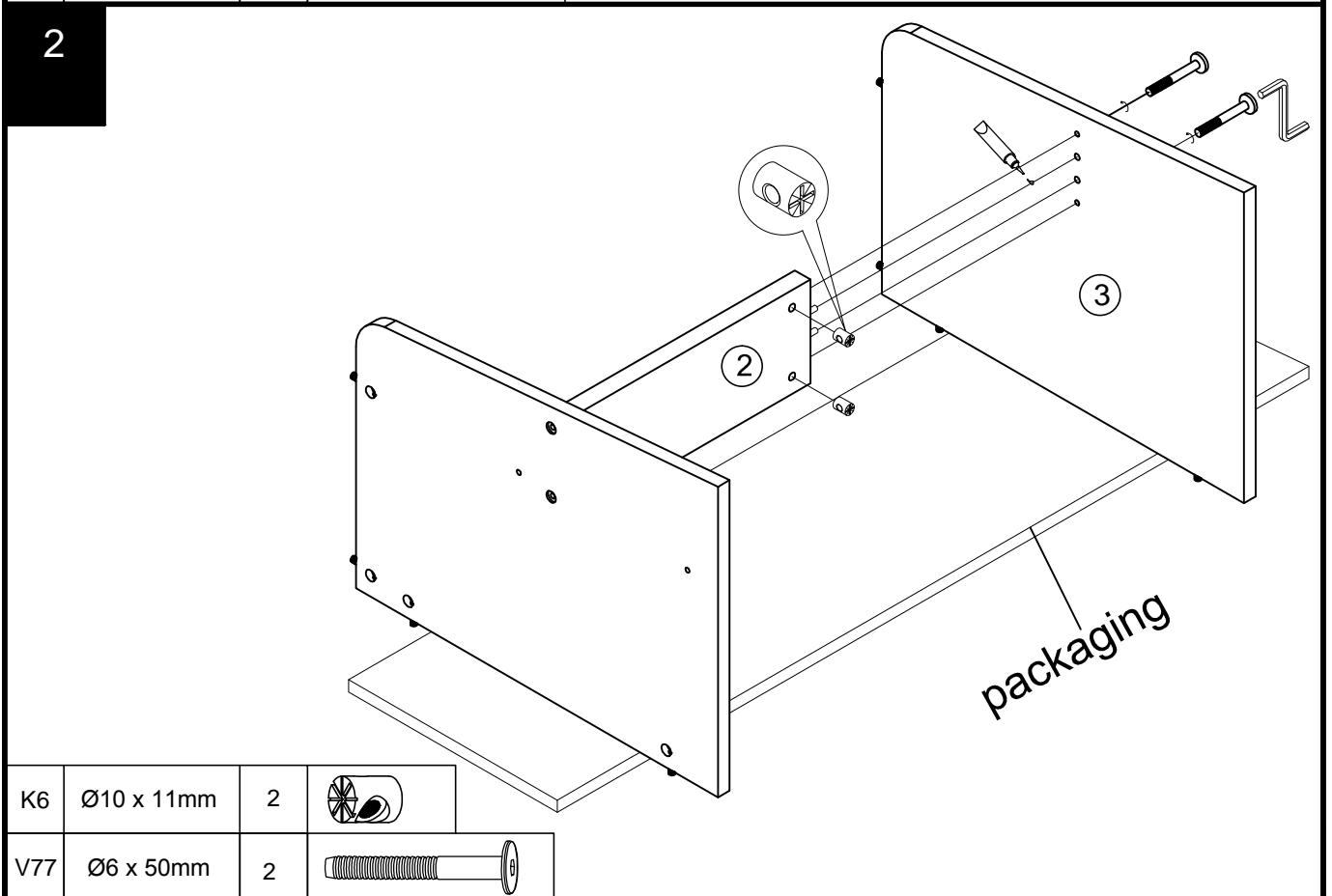


Fixtures and fittings supplied (not to scale)

Ref	Dimensions	Qty	Spare Qty	Visual
D14	N/A	2	N/A	
T1	N/A	2	N/A	
H1	N/A	2	N/A	
H2	N/A	2	N/A	
M33	N/A	8	N/A	



K6	Ø10 x 11mm	2	
V77	Ø6 x 50mm	2	

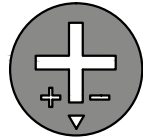


K6	Ø10 x 11mm	2	
V77	Ø6 x 50mm	2	

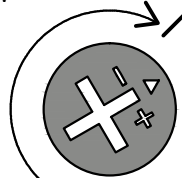
3

DON'T STOP UNTIL THE 2 O'CLOCK LOCK

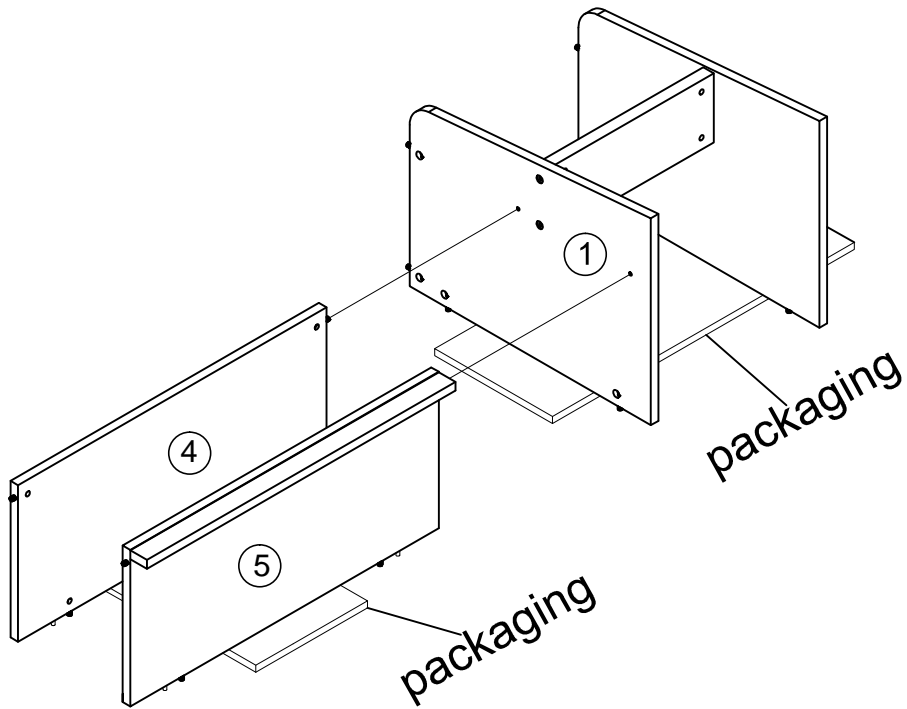
TURN THE CAM IN A CLOCKWISE DIRECTION UNTIL THE ARROW POINTS IN THE POSITIONS SHOWN IN THE DIAGRAMS BELOW



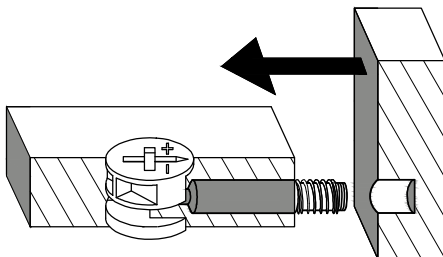
START



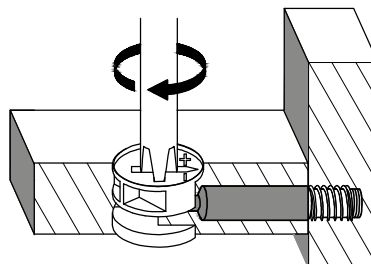
CORRECT LOCK

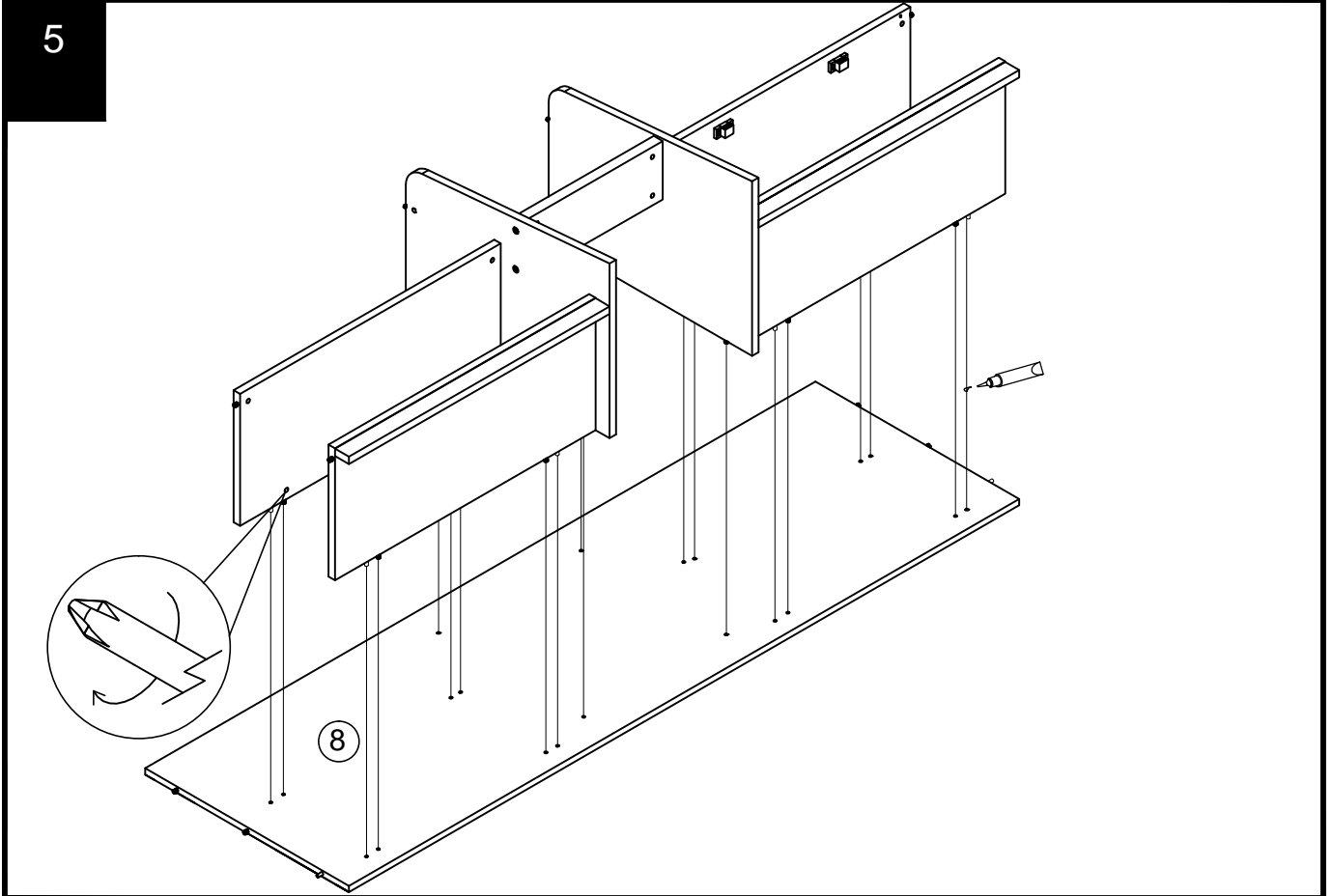
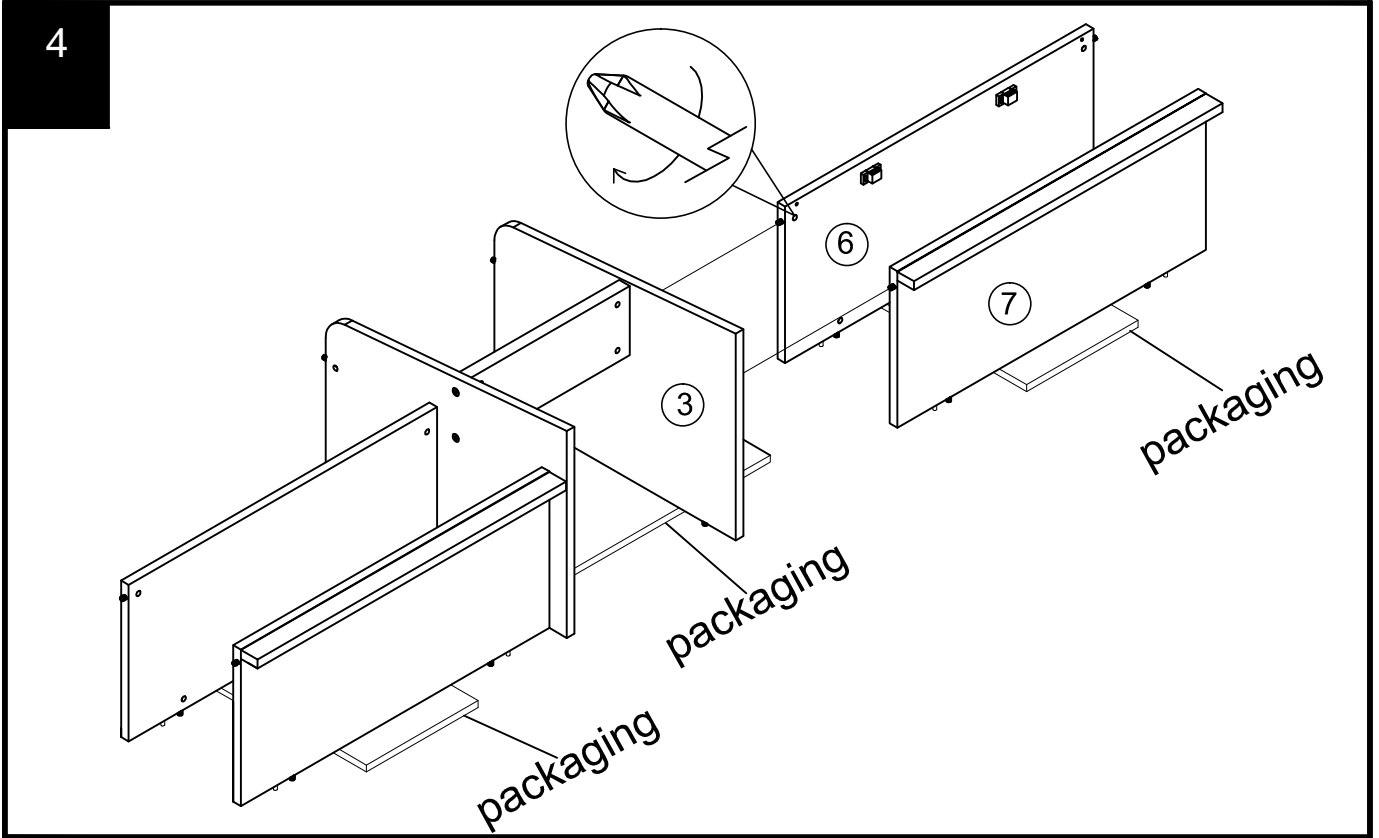


PUSH THE TWO PANELS TOGETHER ALLOWING THE DOWEL TO ALIGN WITH THE HOLE

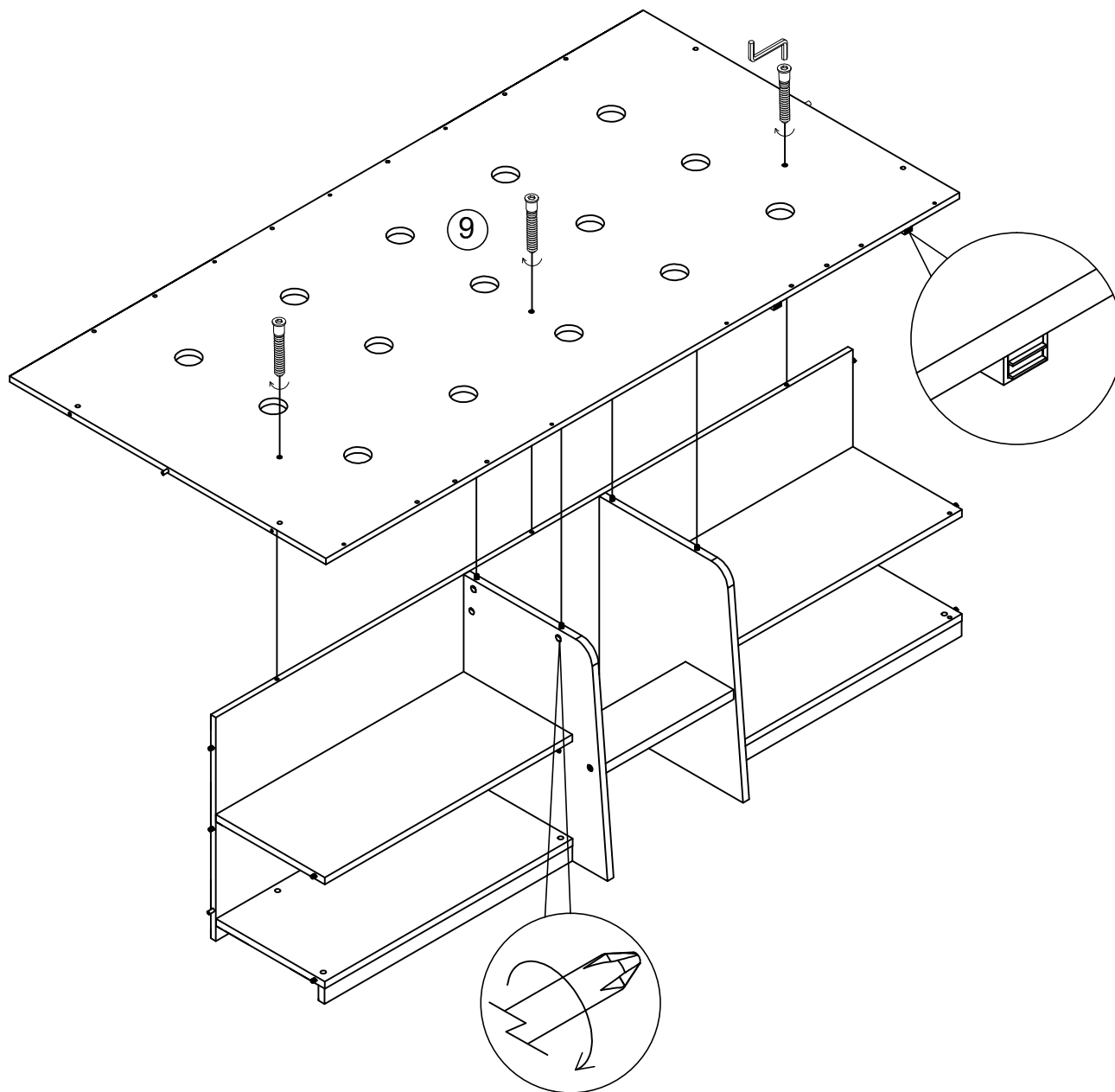



TURN THE CAM IN A CLOCKWISE DIRECTION

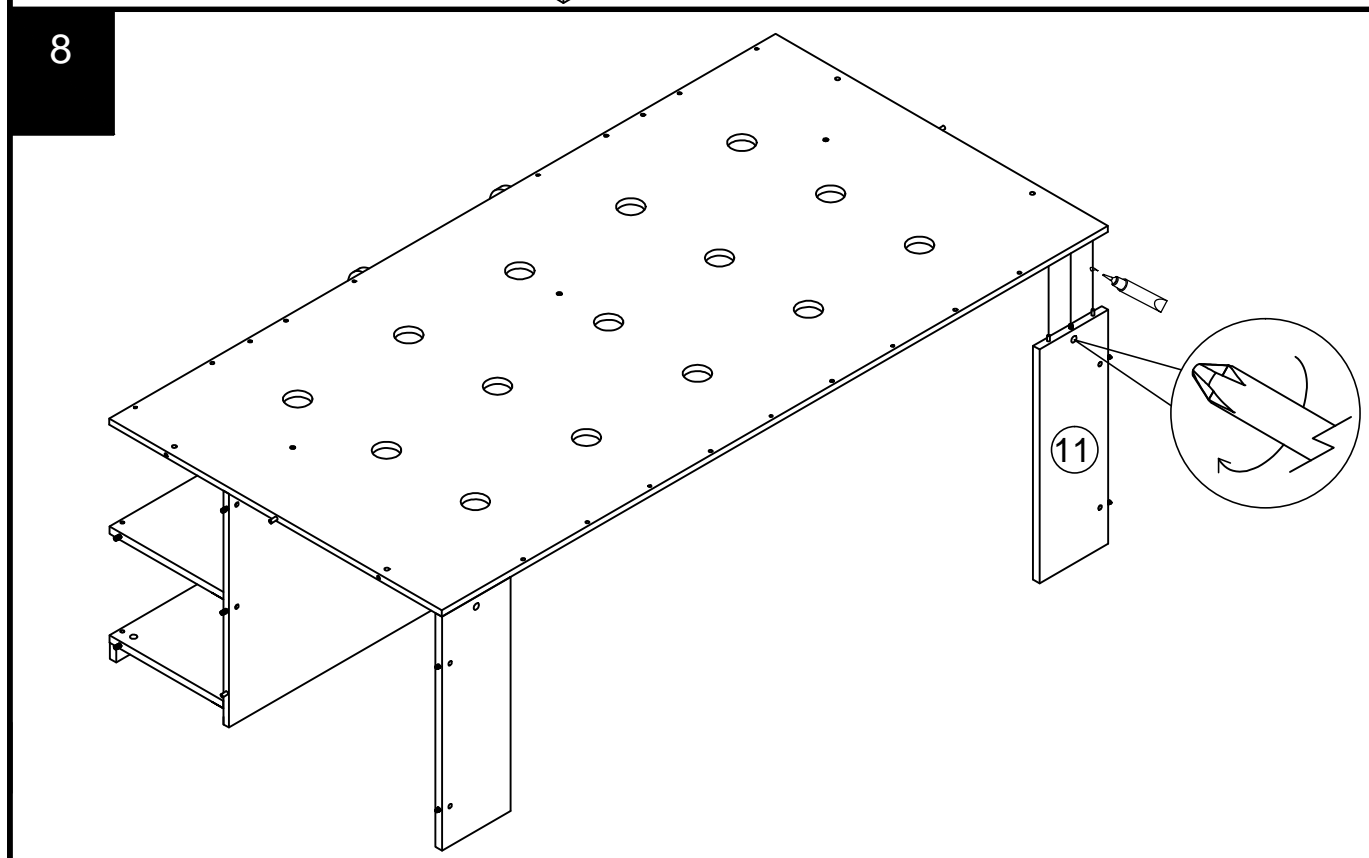
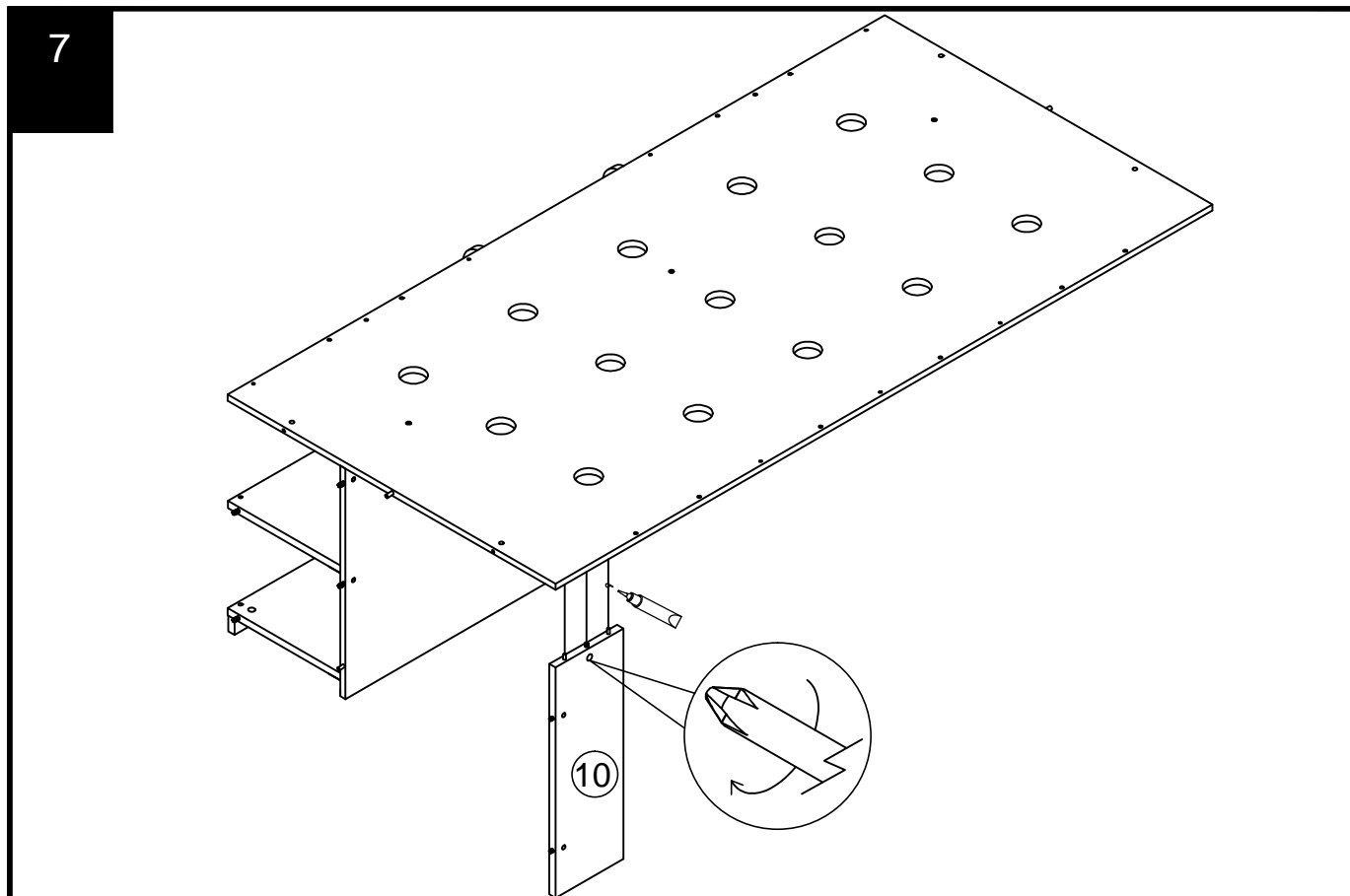


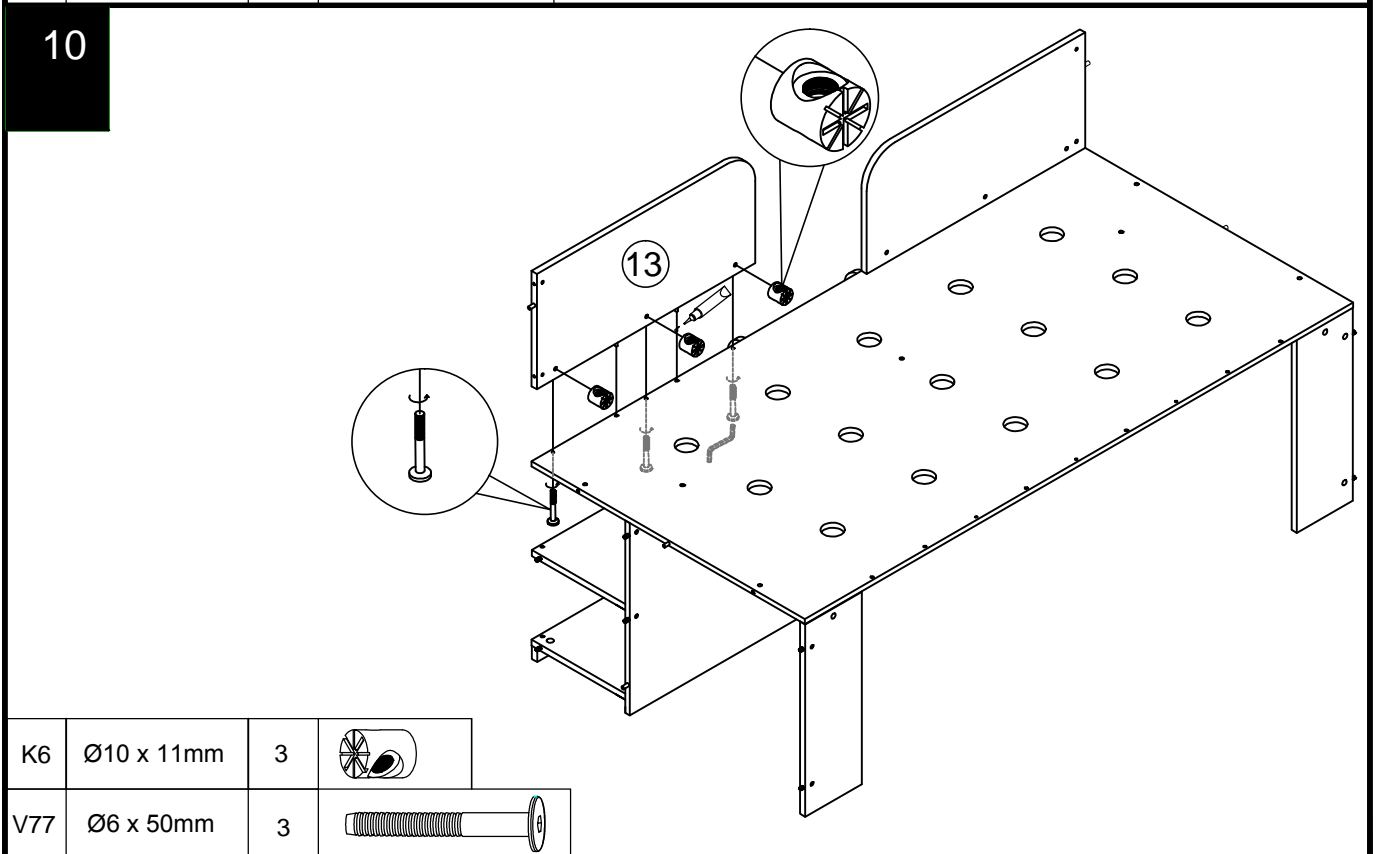
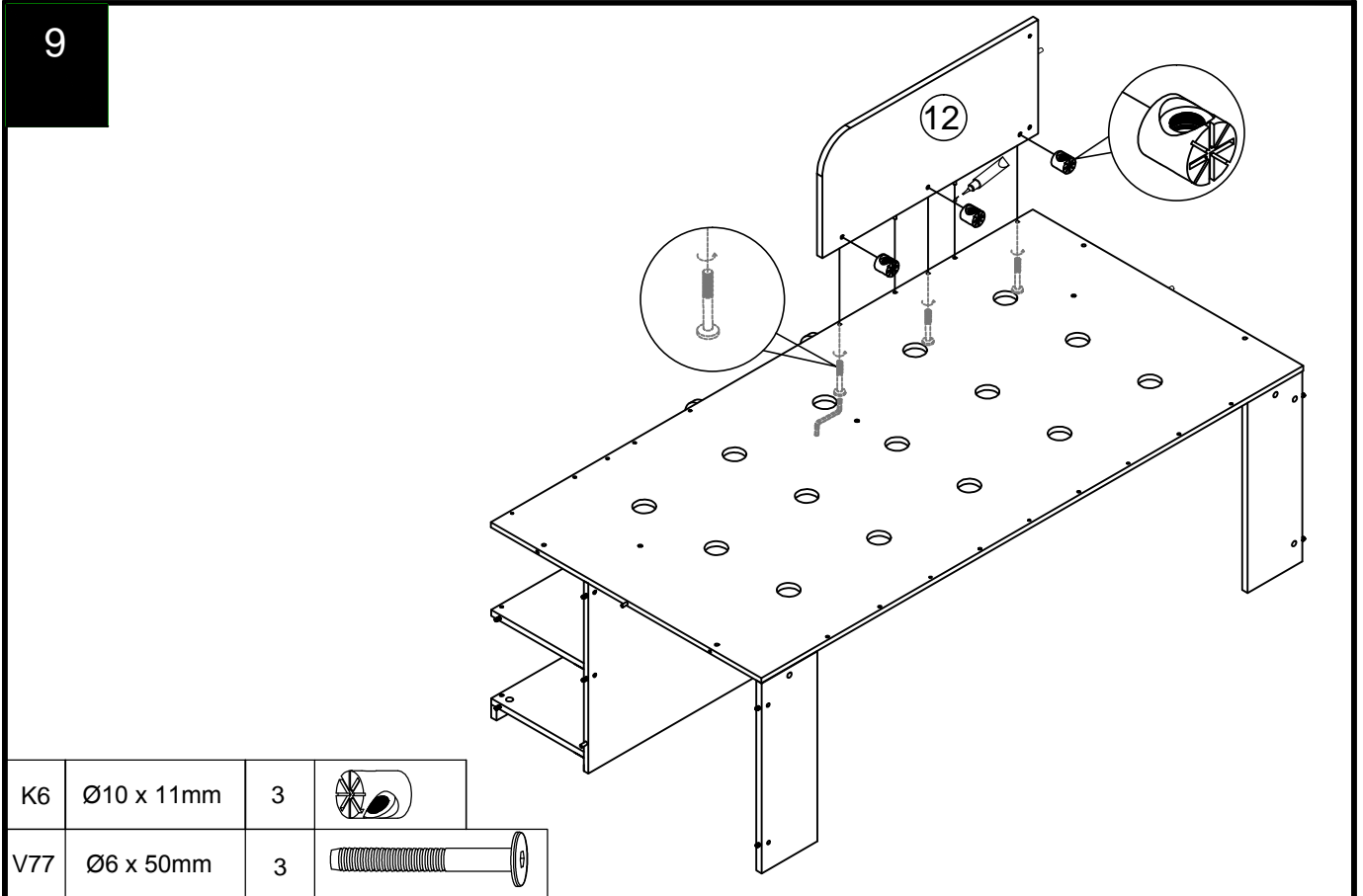


6

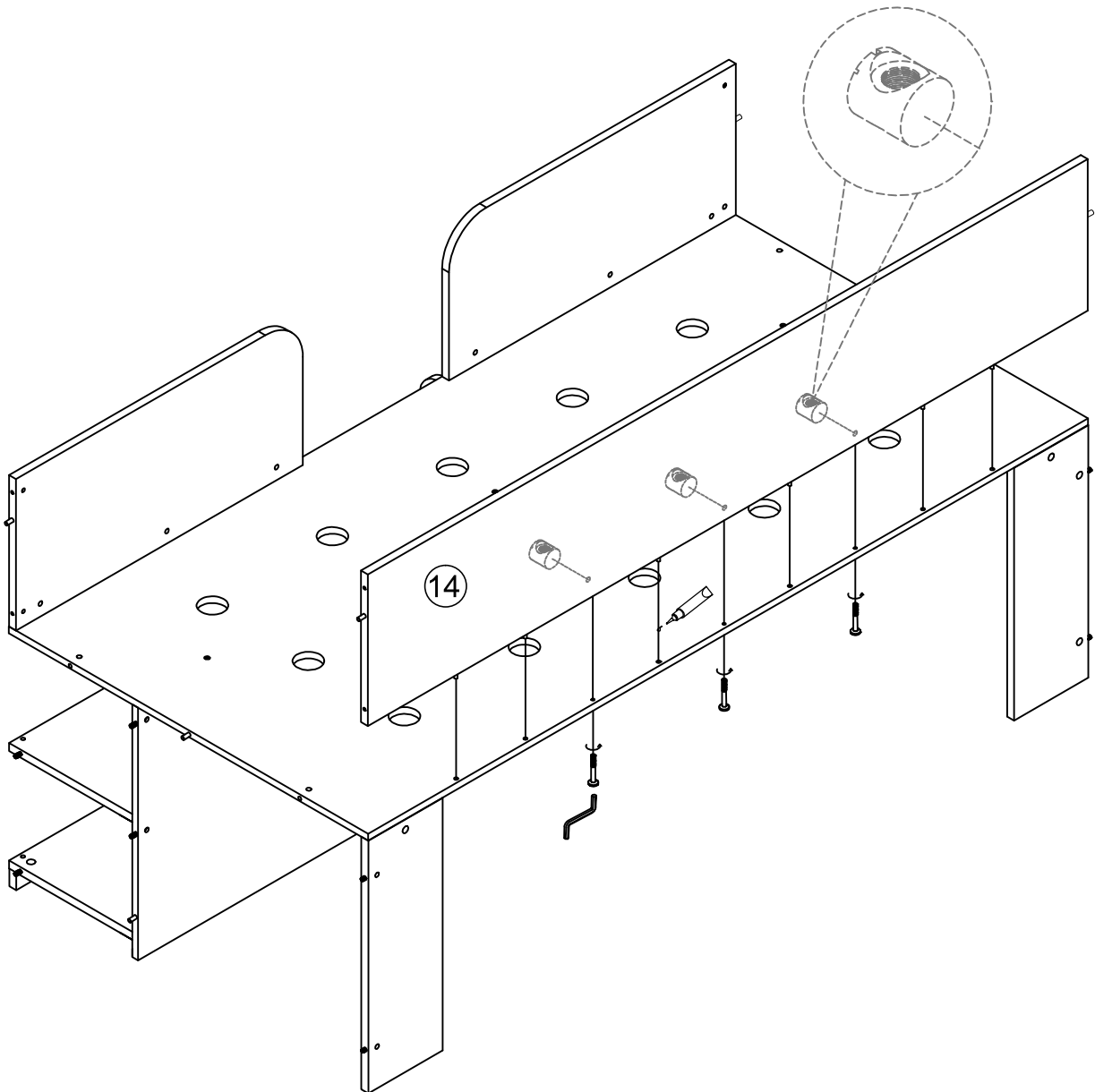



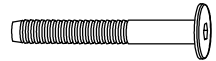
Y8	Ø6 x 50mm	3	
----	-----------	---	---



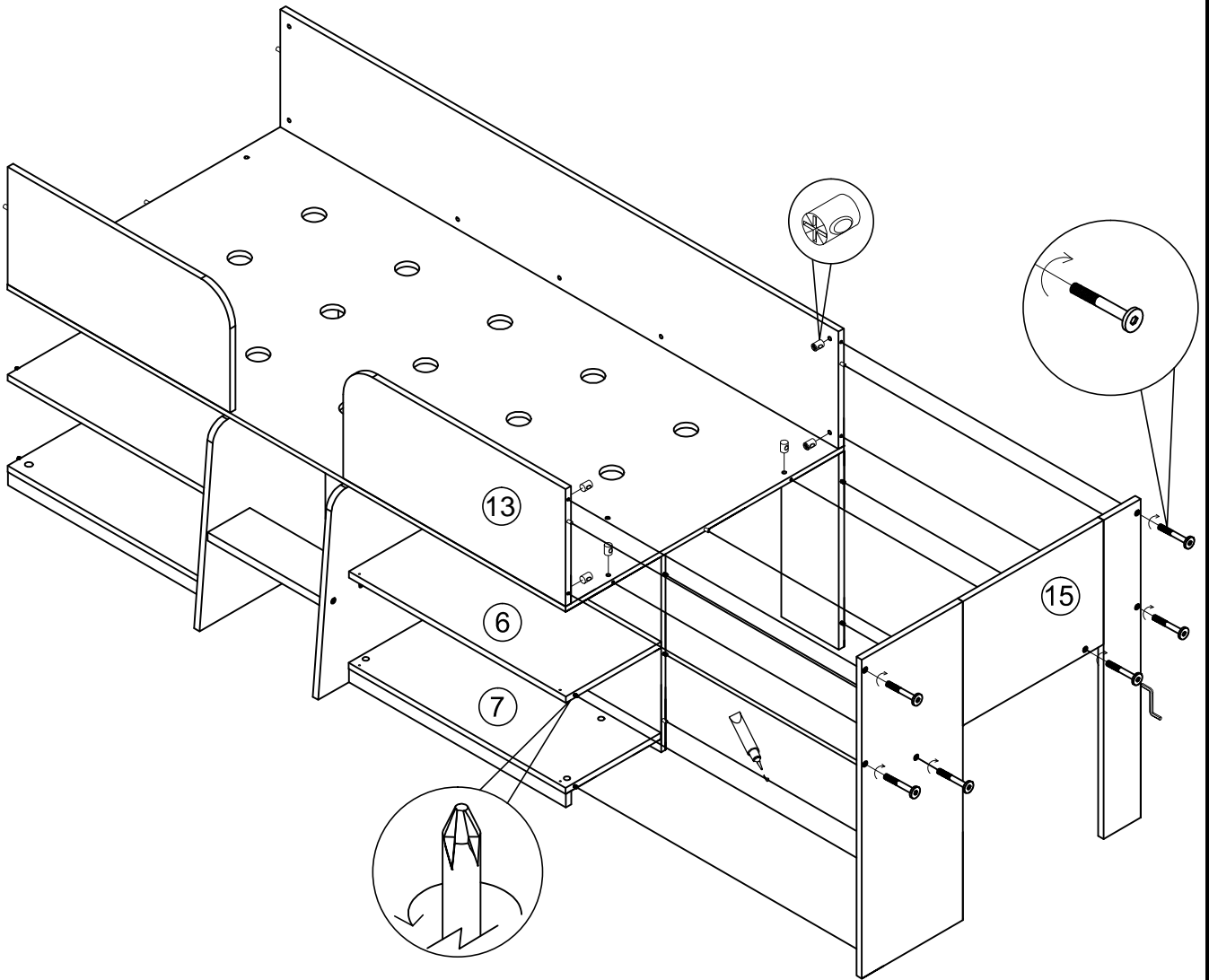


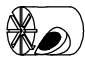
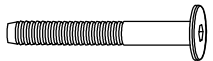
11

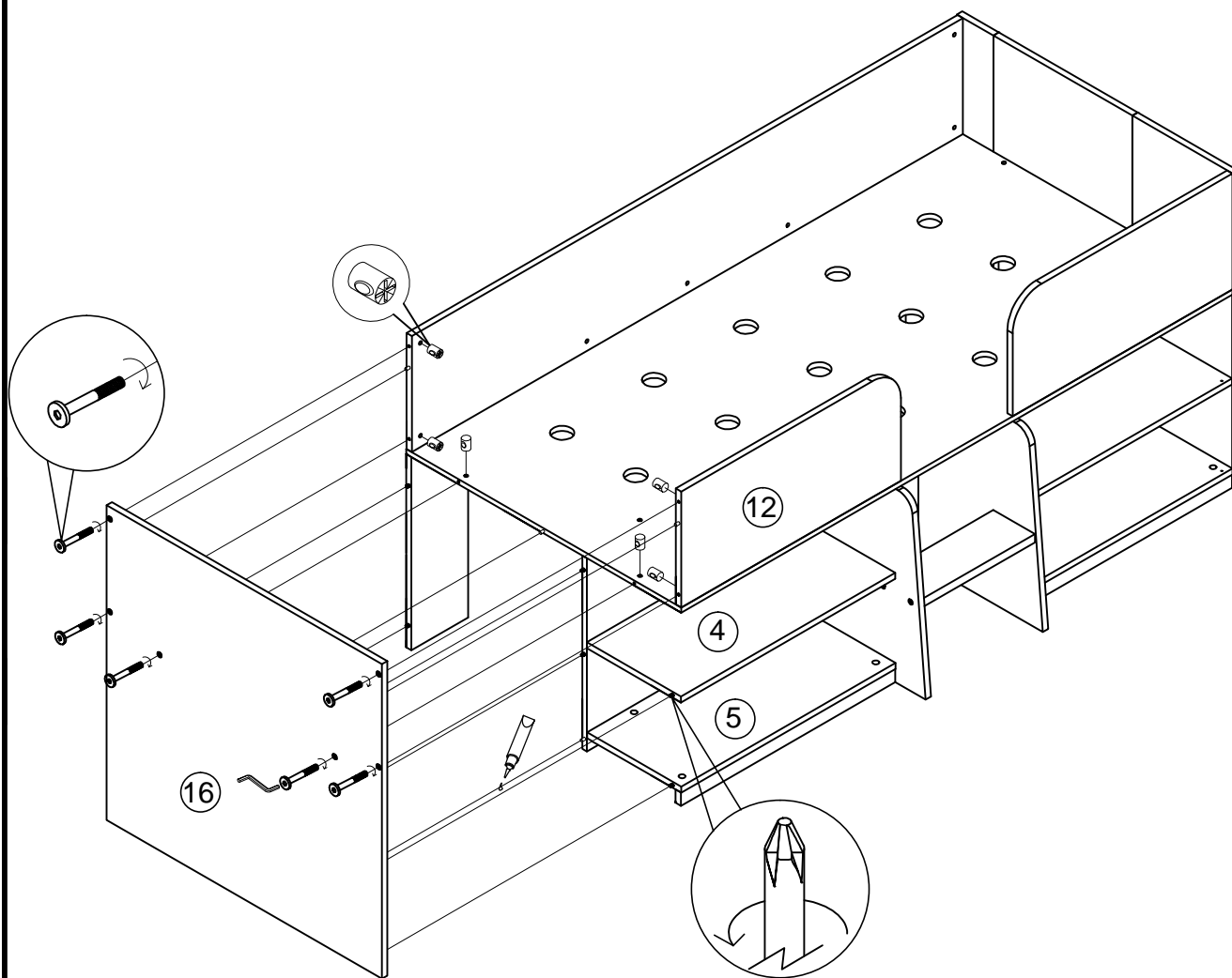


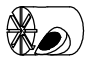
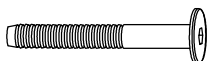
K6	Ø10 x 11mm	3	
V77	Ø6 x 50mm	3	

12

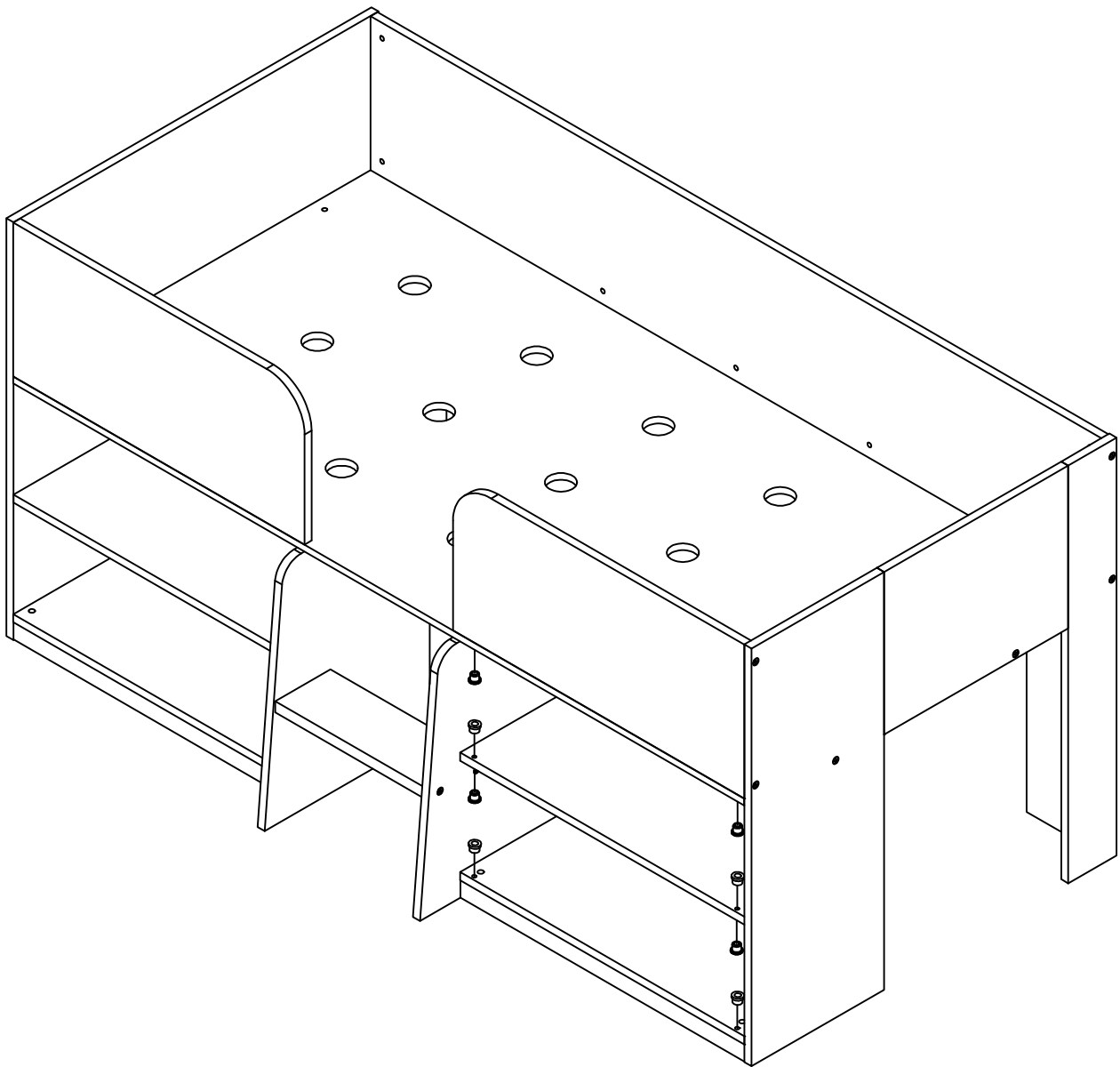



K6	Ø10 x 11mm	6	
V77	Ø6 x 50mm	6	



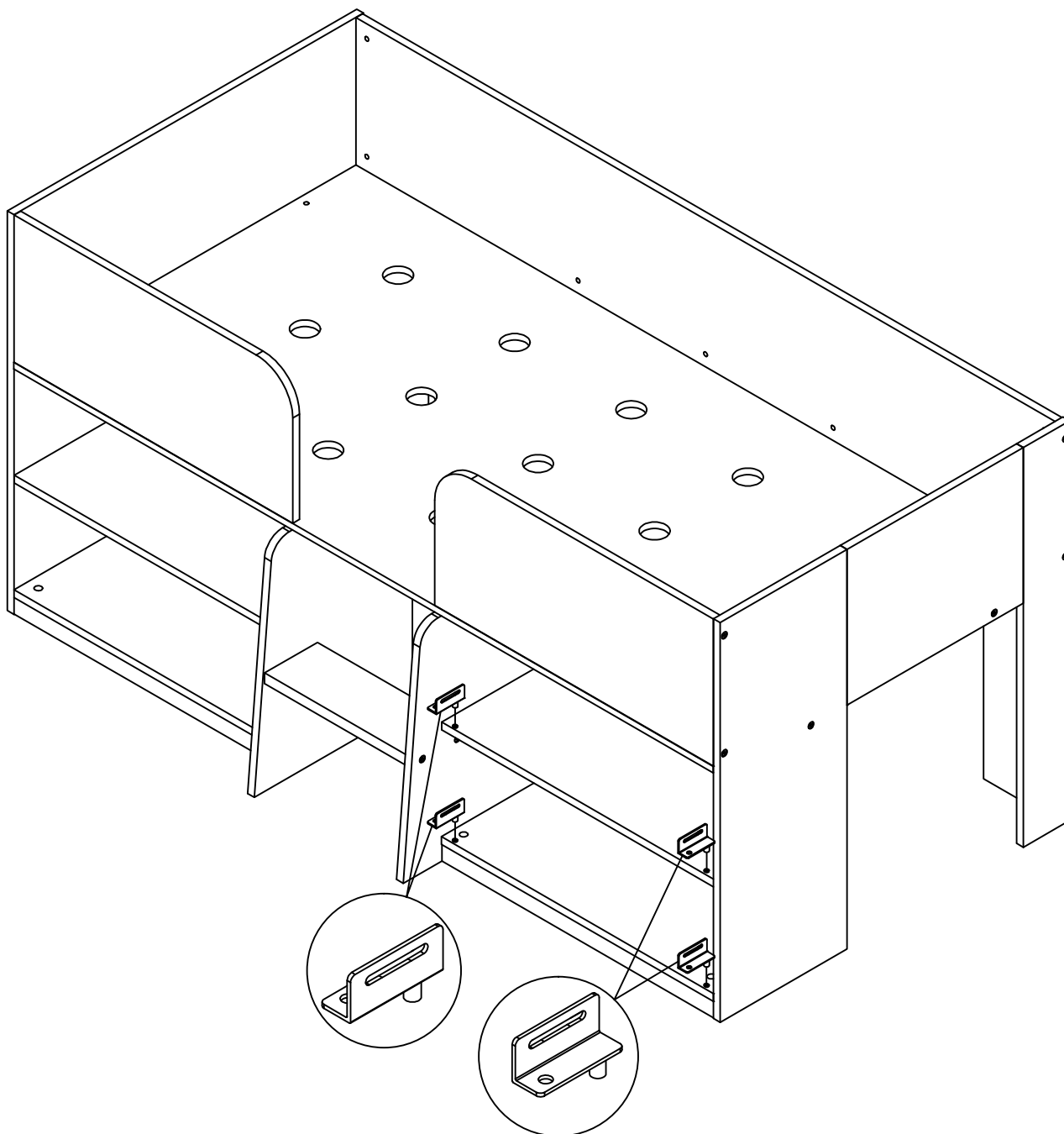
K6	Ø10 x 11mm	6	
V77	Ø6 x 50mm	6	


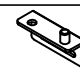
14



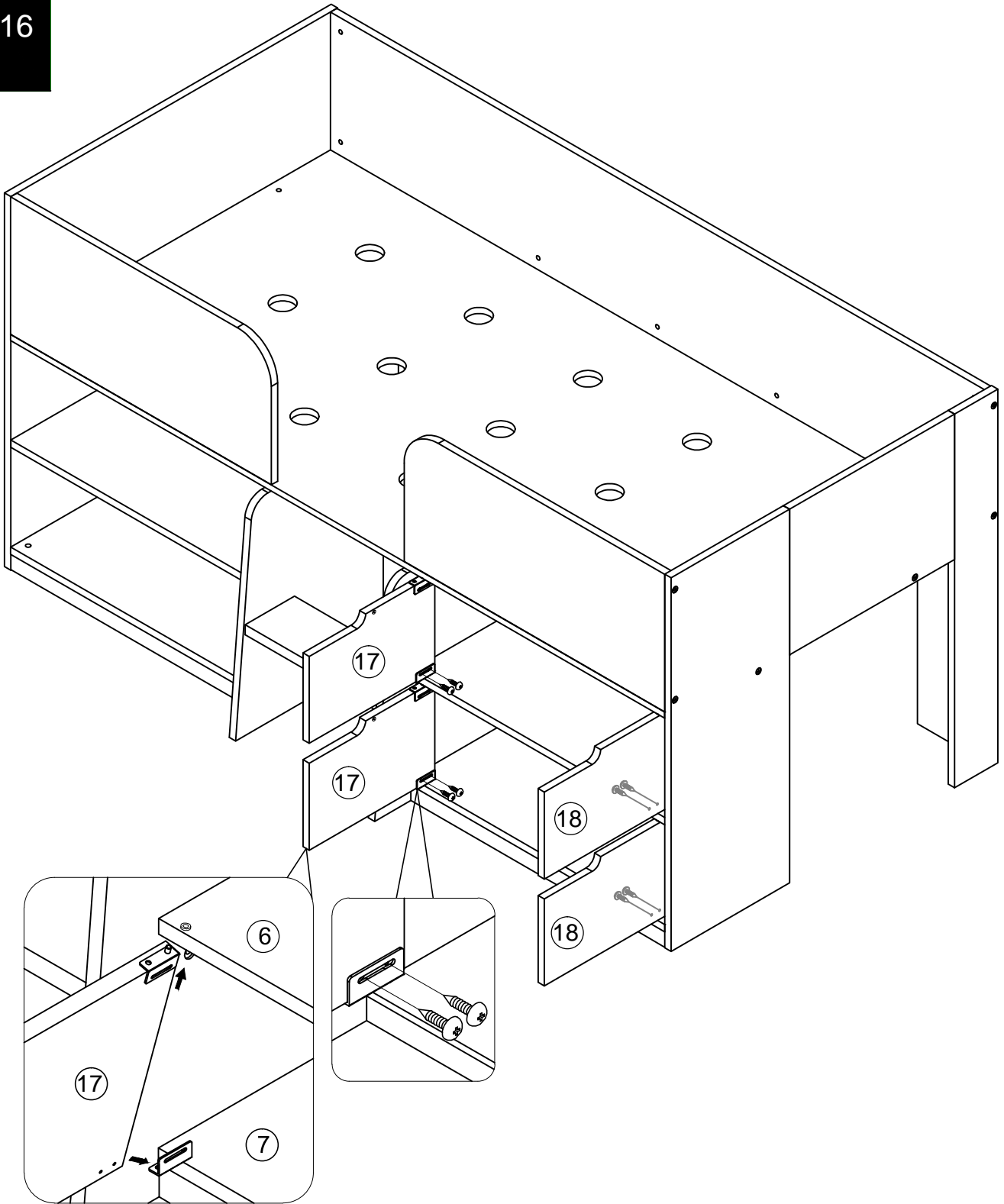
M33	N/A	8	
-----	-----	---	---



15



H1	N/A	2	
H2	N/A	2	

16

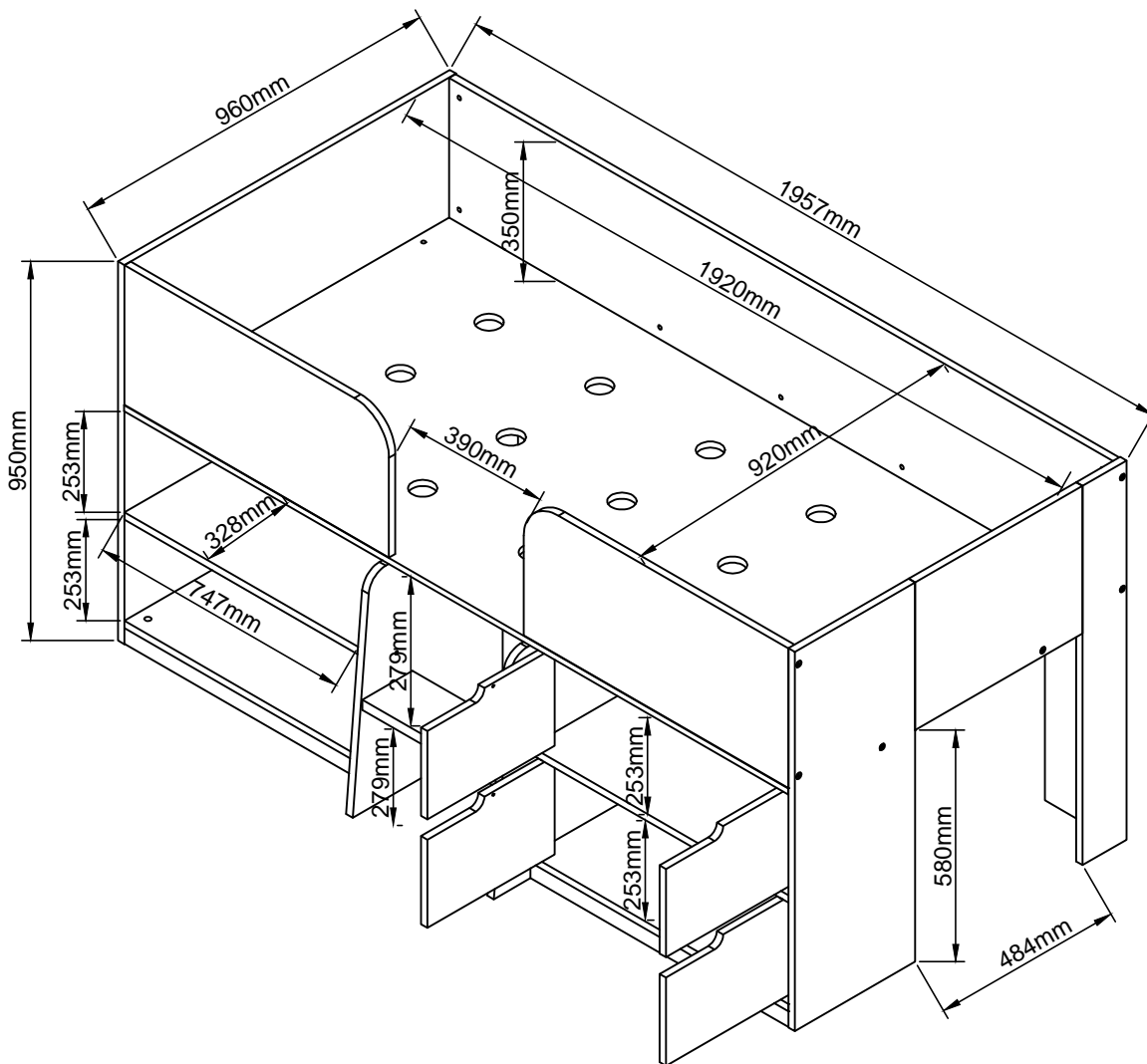


S17	Ø3.5 x 12mm	8		 not supplied
-----	-------------	---	---	---

next

OAK/WHITE/GREY/BLUE/PINE FOIL CABIN BED(EA)
362620/992128/122245/463645/410864

Actual product size
H95 x W196 x D96cm



next

OAK/WHITE/GREY/BLUE/PINE FOIL CABIN BED(EA)
362620/992128/122245/463645/410864

IMPORTANT- RETAIN FOR FUTURE REFERENCE- READ CAREFULLY.

This product complies with BS EN 747:2012+A1:2015

WARNING: Routinely check that the upper safety rail and ladder attachment is secure and tighten any fittings using the appropriate tools.

WARNING: High beds and the upper bed of bunk beds are not suitable for children under six years due to the risk of injury from falls.

WARNING: Bunk beds and high beds can present a serious risk of injury from strangulation if not used correctly. Never attach or hang items to any part of the bunk bed that are not designed to be used with the bed, for example, but not limited to ropes, strings, cords, hooks, belts and bags.

WARNING: Children can become trapped between the bed and the wall, a roof pitch, the ceiling, adjoining pieces of furniture (e.g. cupboards) and the like. To avoid risk of serious injury the distance between the top of the safety barrier and the adjoining structure shall not exceed 75mm or shall be more than 230mm.

WARNING: Do not use the bunk bed/high bed if any structural part is broken or missing; Always follow the assembly instructions provided with this product. The recommended size of the mattress is: 190cm x 90cm x 17cm
Ventilation of the room is necessary in order to keep the humidity low and to prevent mould in and around the bed.
The bed/bunk bed is intended to be used with a mattress of maximum thickness 17cm. The bed frame is marked to show this height.
Regularly check that all assembly fittings are tightened correctly.

Missing parts

If you are missing any fixtures and fittings for your product.
Please contact our customer service team on 0333 777 8999
and they will be happy to arrange for a replacement to be sent
to you free of charge.

Home service technicians

If you have a fault with your product, please contact our customer service team on 0333 777 8999. If you have had the product for 28 days or less you may be offered a replacement, refund or for a fully trained home service technician to visit your home to assess the fault and repair the product where possible. If you have had the product for more than 28 days we will send an independent home service technician to review and repair the product where possible and recommend further action.

You can write to us at

Home Customer Services
Next Retail Ltd.
Desford Road,
Leicester,
LE19 4AT

To view our full furniture range please visit www.next.co.uk