

# BEFORE YOU GET STARTED...

*We're confident you'll love your gorgeous new Next furniture. However, it's worth making absolutely certain before you put it all together.*

*So, let's quickly run through these three steps:*

## 1. COLOUR

Make sure you're happy with the colour  
No need to unpack everything, just check the first component.

## 2. PROTECTIVE PACKAGING

If you're happy, then it's time to get opening! Start by laying everything out on the protective packaging – this will prevent anything getting scratched.

## 3. PARTS PAGE

Finally, double check you have all the pieces by referencing the parts page of the instructions.

## TIPS FOR RETURNS

Not completely happy with the product? No problem. We just need everything back in the original packaging, so follow the steps below and this will ensure a super-smooth returns process and no delay to your refund.

DO



- Check everything is there (the 'parts page' is a handy checklist).
- Pop all the loose fittings and fixtures into the packaging provided or tie them up in a plastic bag.
- Wrap all the big components back up in the original protective packaging.
- Close up the box and seal it securely (don't be afraid to use plenty of tape).

DON'T



- Leave anything assembled - all components should be dismantled and separately packed.
- Put loose fixtures and fittings straight into the box.
- Throw it back in the box carelessly - as it may get damaged.

next  
HOME

Then just give us a call on 0333 777 8999 and we'll sort out a pick up time for you.



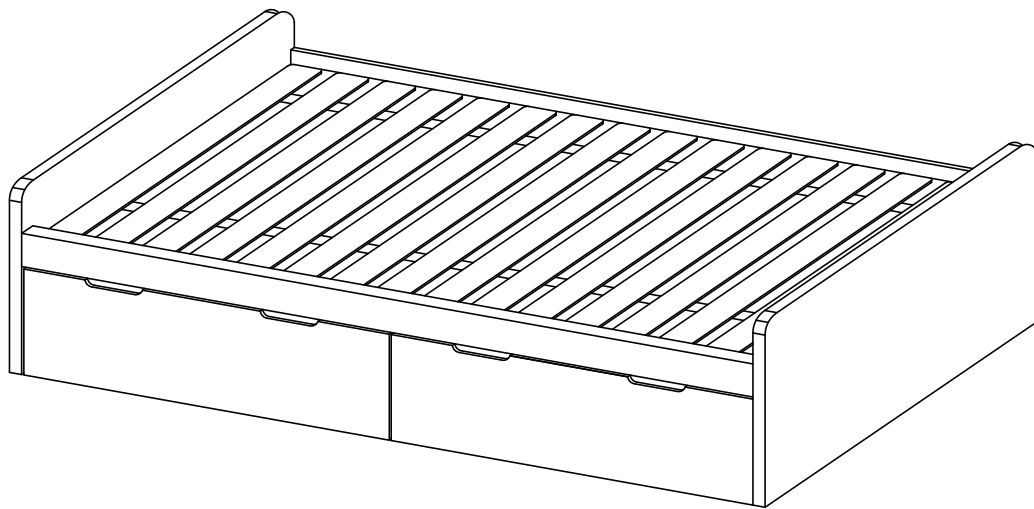
next

# COMPTON OAK DIVAN

368219

Assembly instructions

**Actual product size**  
H40 x W196 x D98cm



## Need Help?

With: Assembly instructions  
Missing or damaged parts

**CALL: 0333 777 8999**

**IMPORTANT - RETAIN FOR FUTURE REFERENCE**

## BEFORE YOU START

### CHILDREN'S FURNITURE

### CHILDREN'S SINGLE BEDSTEADS

### IMPORTANT - RETAIN FOR FUTURE REFERENCE - READ CAREFULLY.

This bed conforms to **BS8509:2008 + A1:2011**

#### Warnings

**WARNING** Do not place this bed near heat sources, windows and other furniture

**WARNING** Do not use this bed if any part is broken, torn or missing

**WARNING** Assembly by adult only

**WARNING** Once assembled this bed is not designed to be disassembled and reassembled

Children are likely to play, bounce, jump and climb on beds, therefore the child's bed should not be placed too close to other furniture or windows, blind cords, curtain pulls or other strings or cords and should be placed either tight to any wall or have a gap of 300mm between the wall and the side of the bed

This size of the mattress to be used with the bed is 900mm x 1900mm

This bed is intended for children above 4 years old

**WARNING** Not suitable for children under 4 years

#### Do's

When you are ready to start, make sure that you have the right tools and plenty of space

Due to the size of the product we recommend that it is assembled in the room intended for use

Unwrap all packaging materials and place the components on a clean surface to protect it from damage,

We recommend that the packaging is used to protect the surfaces during assembly

Carefully check that you have all the parts before beginning assembly

Please periodically check all fittings and re-tighten as necessary  
To clean your item, wipe with soft cloth slightly dampened with water. Then buff with a dry clean cloth

Routinely check that the fittings are secure and tighten any fittings using the appropriate tools

If any parts are missing please contact Next to obtain replacements. Under no circumstances should missing parts or hardware be substituted unless obtained from Next

#### Don'ts

Do not drag or pull your furniture

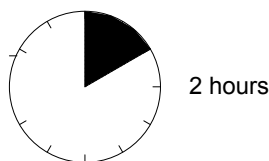
Do not use silicone based furniture polish. Silicone in furniture polishes can break down the lacquer finish

Do not stand or jump on this product

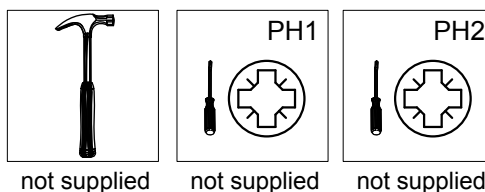
#### Number of people required to assemble

Two persons are required to assemble this item.

#### Time to assemble



#### Tools required



#### Missing parts

If you are missing any fixtures and fittings for your product please contact our customer service team on 0333 777 8999 and they will be happy to arrange for a replacement to be sent to you free of charge.

#### Home service technicians

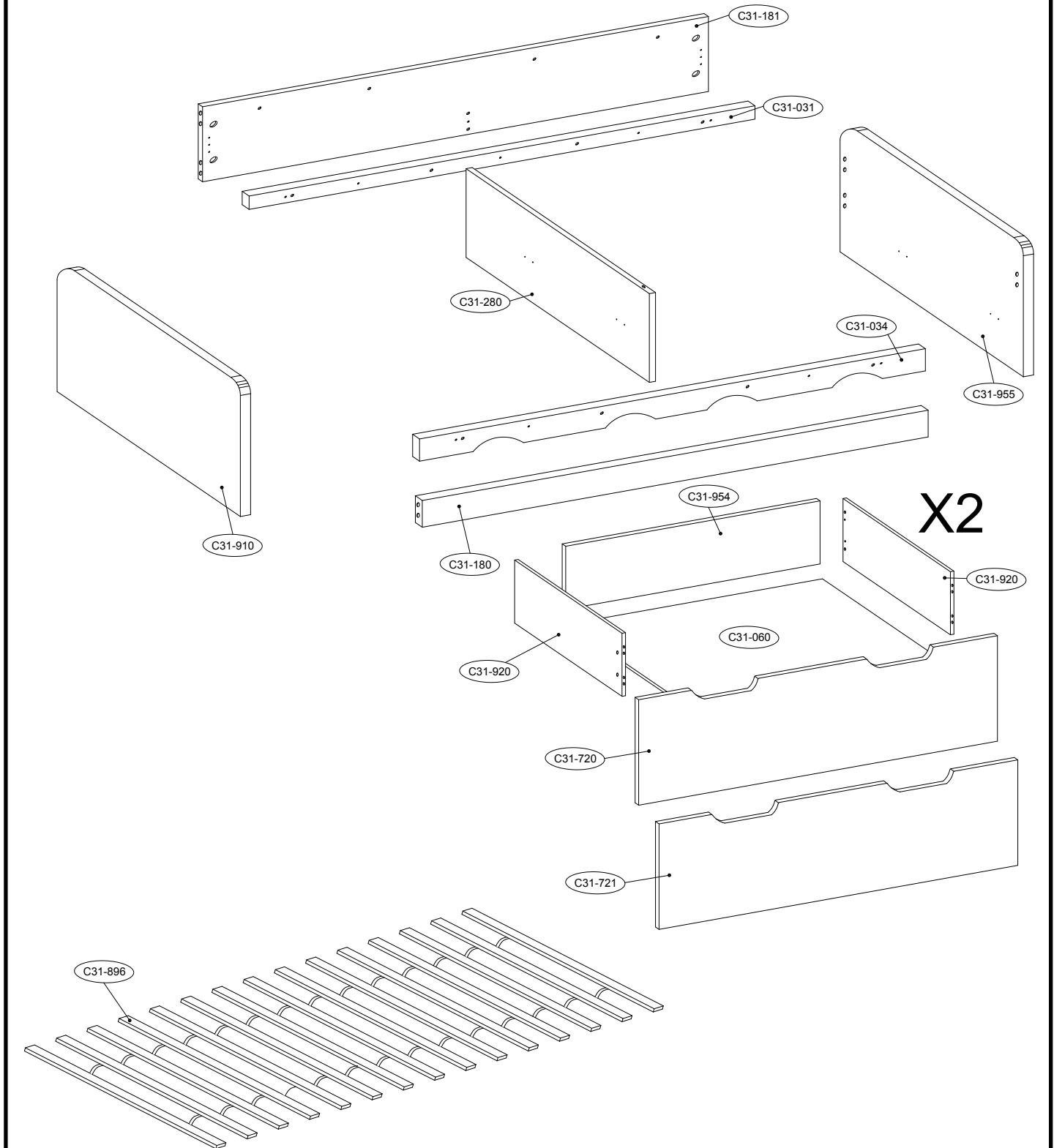
If you have a fault with your product please contact our customer service team on 0333 777 8999. If you have had the product for 28 days or less you may be offered a replacement, refund or for a fully trained home service technician to visit your home to assess the fault and repair the product where possible. If you have had the product for more than 28 days we will send an independent home service technician to review and repair the product where possible and recommend further action.

#### You can write to us at


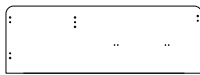


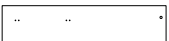


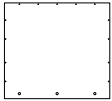
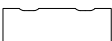
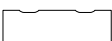
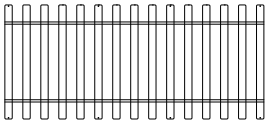


Home Customer Services  
Next Retail Ltd,  
Desford Road,  
Leicester,  
LE19 4AT

To View our full furniture range please visit [www.next.co.uk](http://www.next.co.uk)

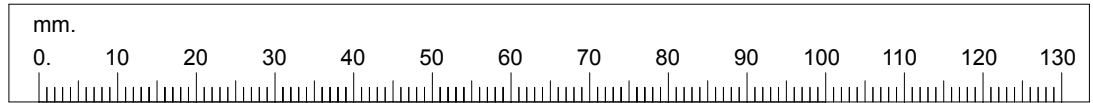
# GETTING TO KNOW YOUR PRODUCT



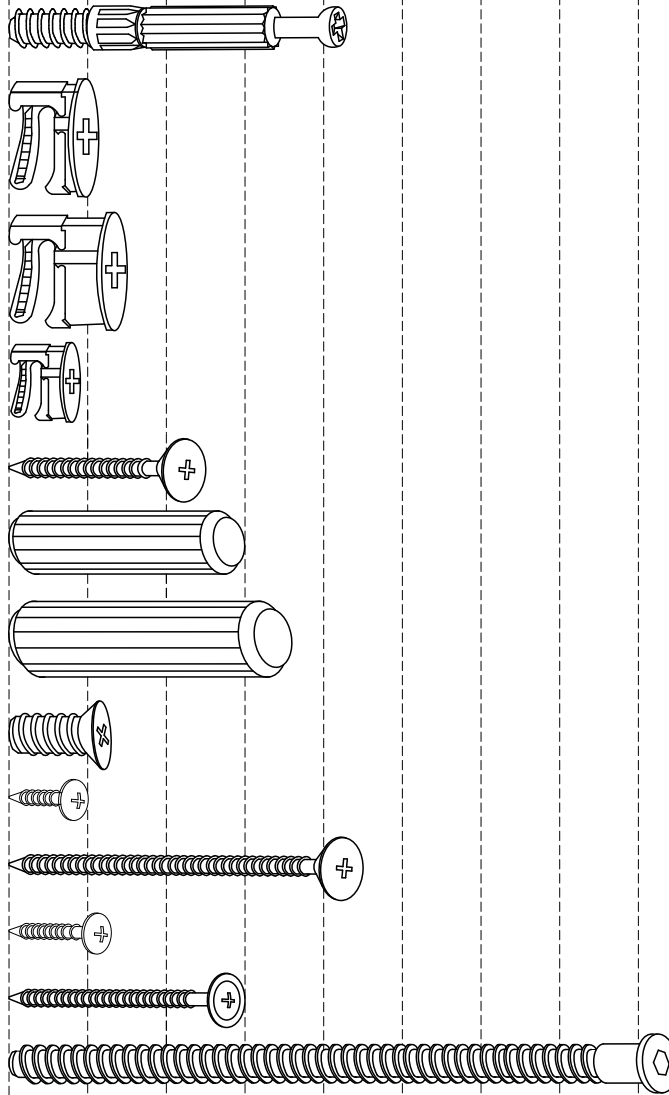
Components supplied. Please use this guide if you require replacement parts.

| Ref     | Dimensions | Visual  | Qty | Ctn |
|---------|------------|---|-----|-----|
| C31-910 | 98 x 40cm  |    | 1   | 2   |
| C31-955 | 98 x 40cm  |    | 1   | 2   |
| C31-180 | 192 x 7cm  |    | 1   | 1   |
| C31-181 | 192 x 25cm |    | 1   | 1   |
| C31-280 | 92x 24cm   |    | 1   | 1   |
| C31-920 | 67 x 19cm  |    | 4   | 2   |
| C31-954 | 89 x 19cm  |  | 2   | 2   |
| C31-060 | 92 x 67cm  |  | 2   | 2   |
| C31-720 | 95 x 24cm  |  | 1   | 2   |
| C31-721 | 95 x 24cm  |  | 1   | 2   |
| C31-896 | 192 x 90cm |  | 1   | 1   |
| C31-031 | 191 x 3cm  |  | 1   | 1   |
| C31-034 | 191 x 5cm  |  | 1   | 1   |

**Fixtures and fittings supplied (actual size)**



| Ref | Dimensions  | Qty |
|-----|-------------|-----|
| A   | 6 x 43 mm   | 29  |
| B   | 15 x 11 mm  | 16  |
| B1  | 15 x 15 mm  | 7   |
| B3  | 12 x 9 mm   | 6   |
| H1  | 4 x 25 mm   | 8   |
| D   | 8 x 30 mm   | 16  |
| D1  | 10 x 35 mm  | 16  |
| F   | 6.3 x 13 mm | 12  |
| P1  | 3 x 10 mm   | 32  |
| O1  | 4 x 45 mm   | 9   |
| T1  | 3.5 x 13 mm | 8   |
| S1  | 3 x 30 mm   | 26  |
| Z   | 7 x 85 mm   | 1   |



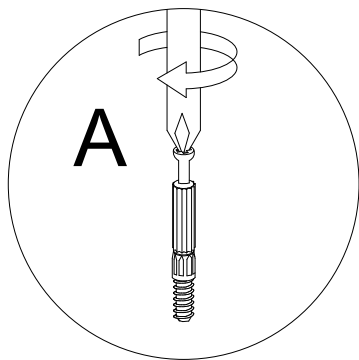
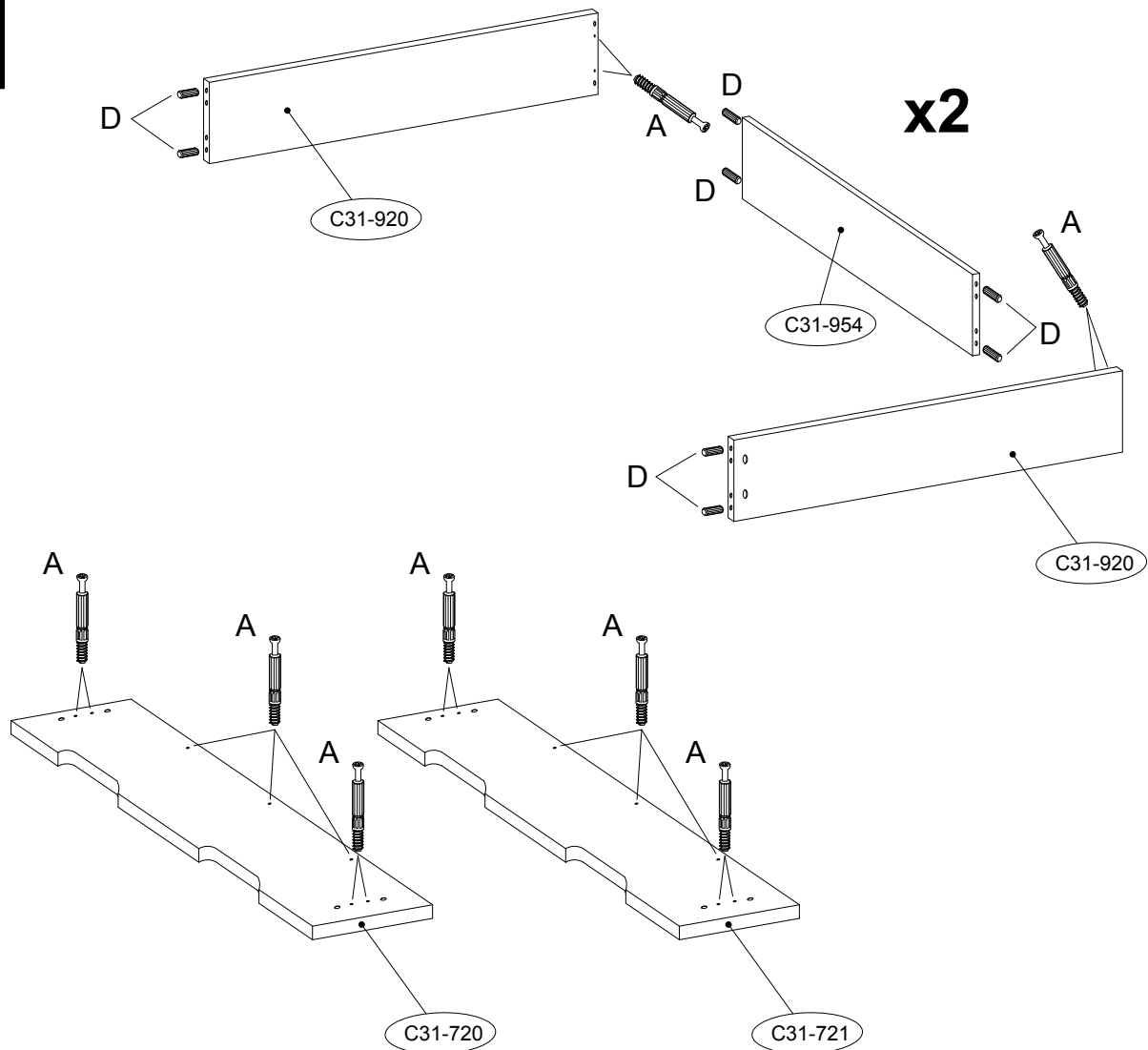
**Fixtures and fittings supplied (not to scale)**

| Ref | Dimensions | Visual | Qty |
|-----|------------|--------|-----|
| P   | N/A        |        | 16  |
| U   | N/A        |        | 2   |

| Ref | Dimensions | Visual | Qty |
|-----|------------|--------|-----|
| T   | N/A        |        | 2   |
| V3  | N/A        |        | 6   |

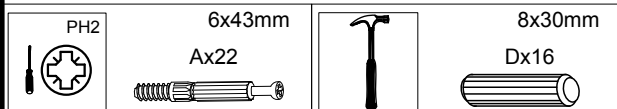
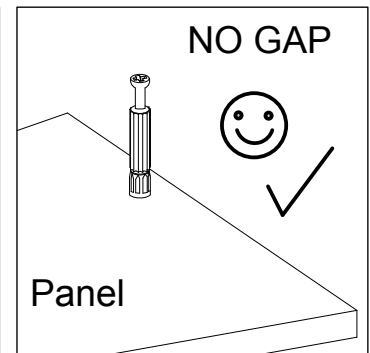
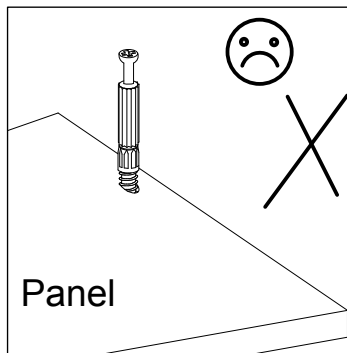
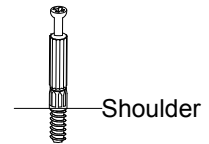
| Ref | Dimensions | Visual  | Qty |
|-----|------------|---------|-----|
| Z1  | N/A        | 4mm<br> | 1   |

1



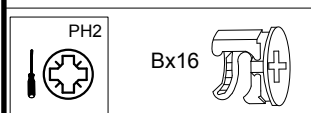
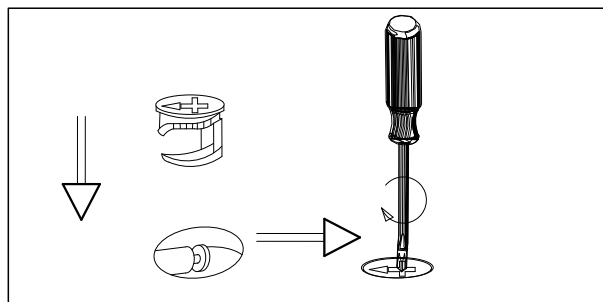
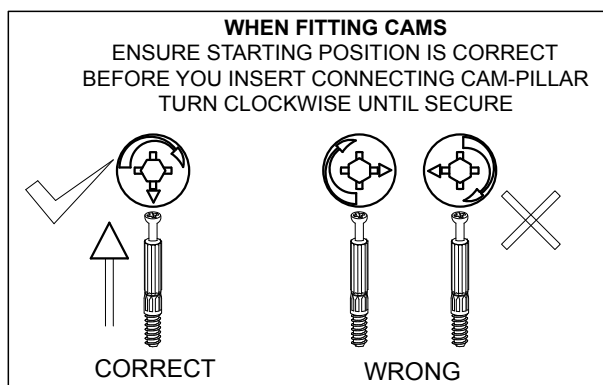
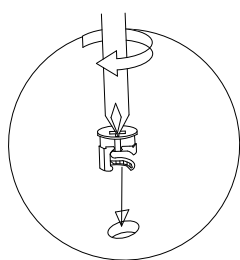
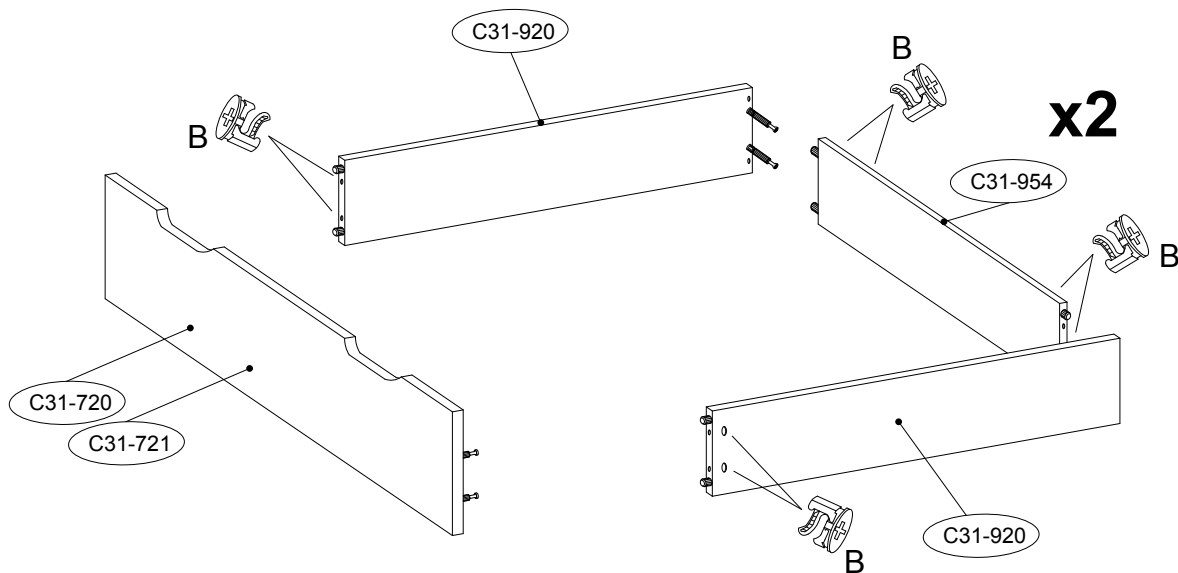
**CAM-LOCK**

Tighten until shoulder is flush with panel. Do not overtighten or undertighten (see example below)



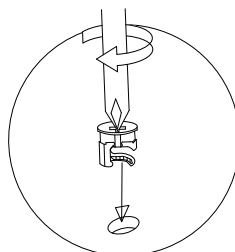
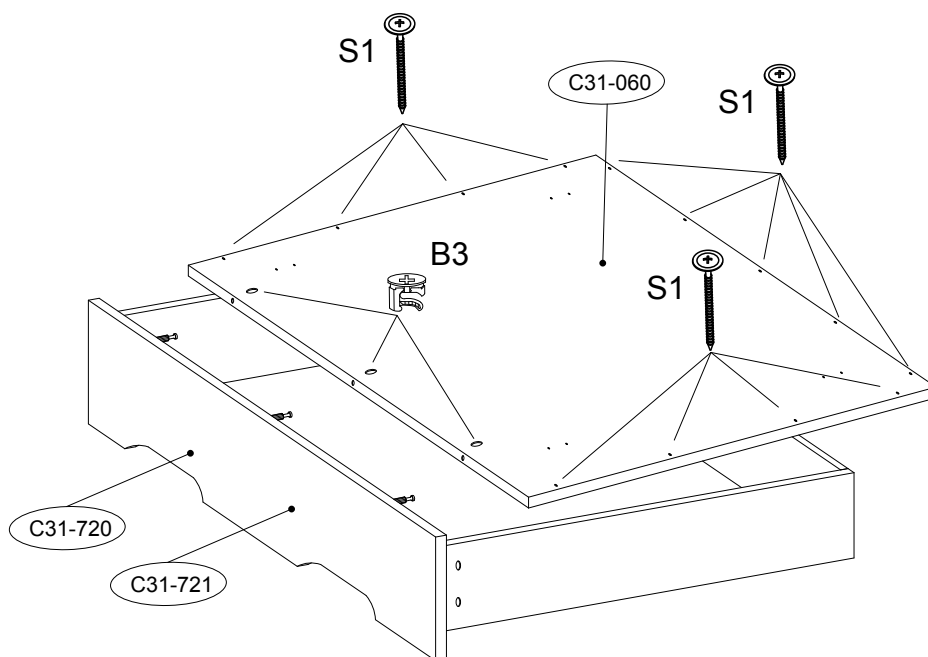


2



3

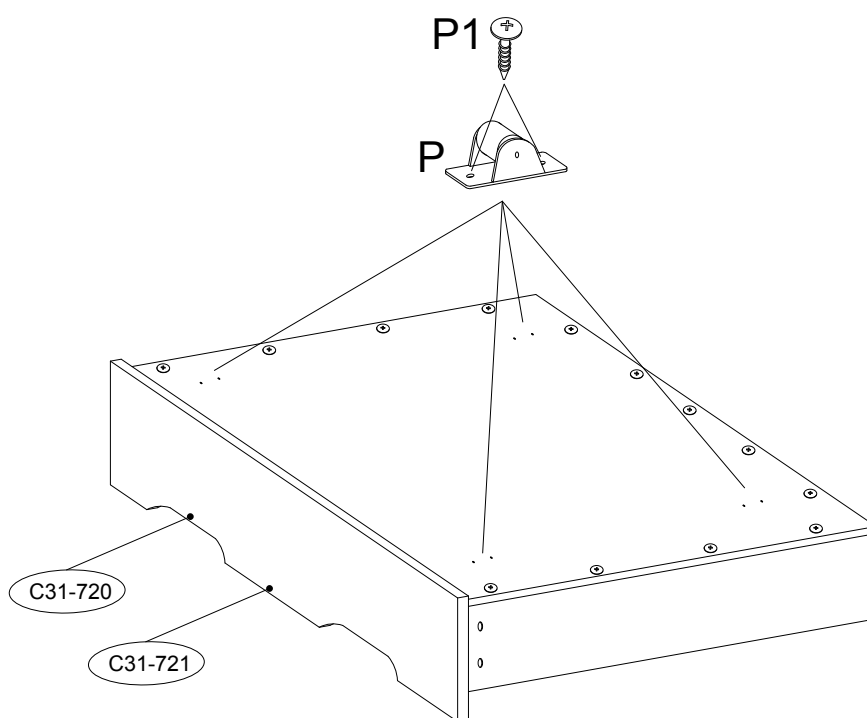
x2


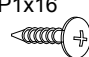
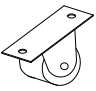


|            |             |               |              |
|------------|-------------|---------------|--------------|
| <p>PH2</p> | <p>B3x6</p> | <p>PH2</p>    | <p>S1x26</p> |
|            |             | <p>3x30mm</p> |              |

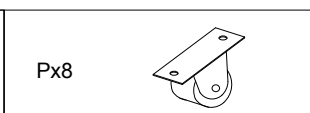
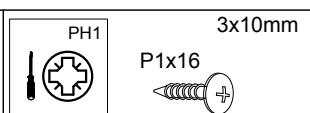
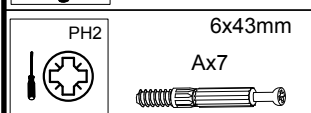
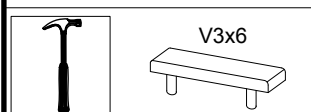
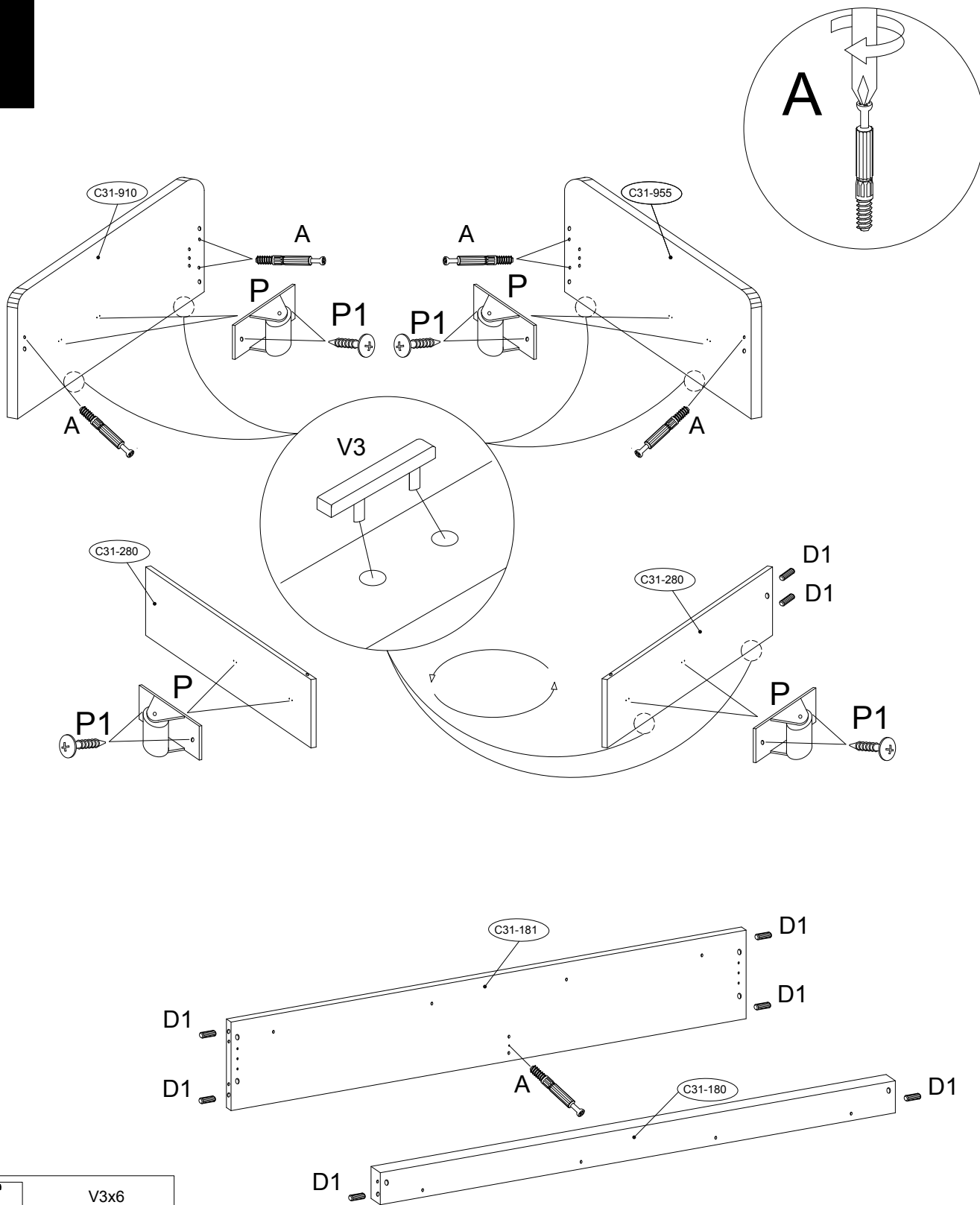
4

x2

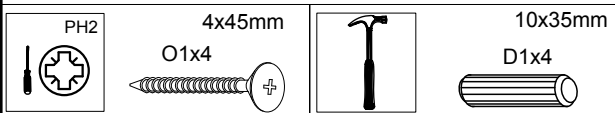
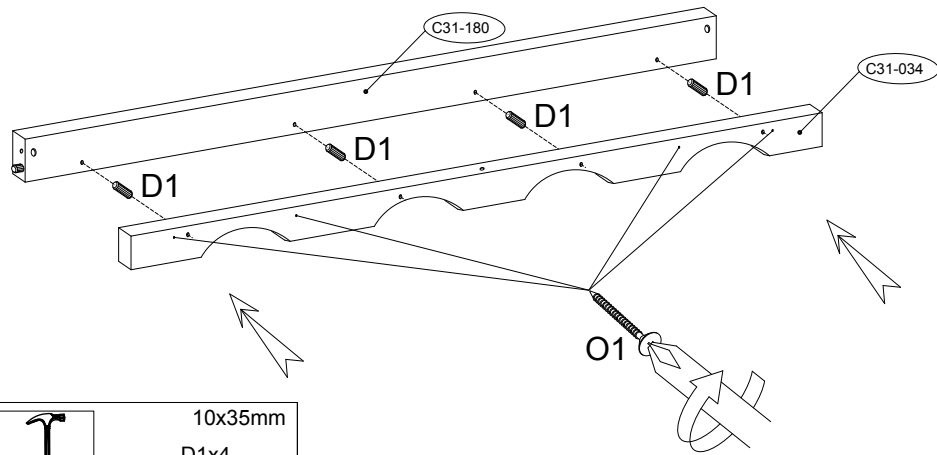


|  |        |   |
|--|--------|---|
|  PH1 | 3x10mm |  P1x16 |
|  |        |  Px8   |

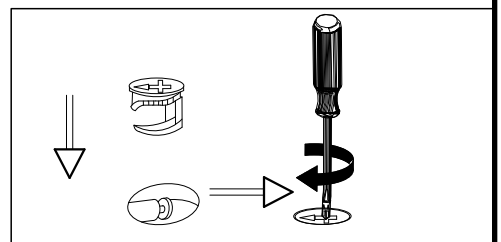
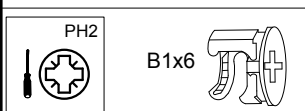
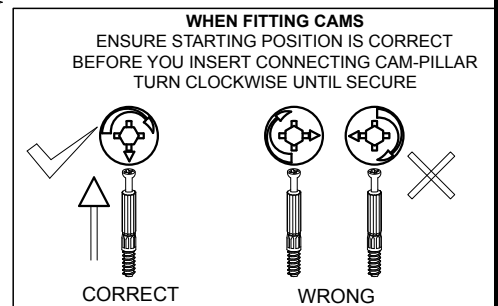
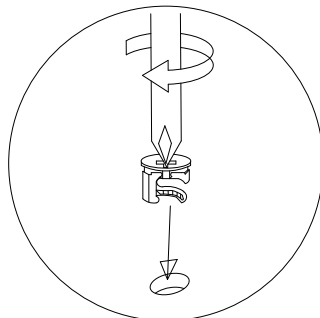
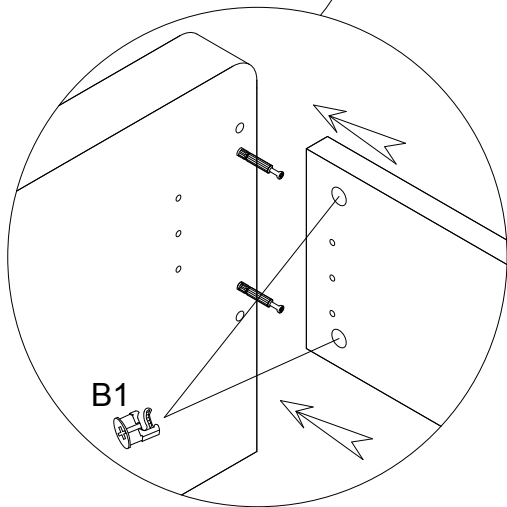
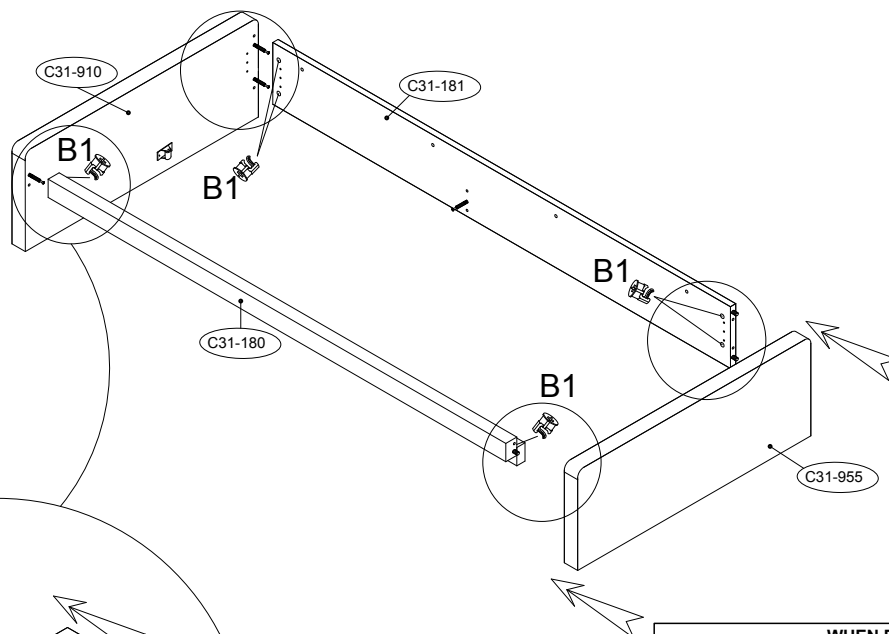
5



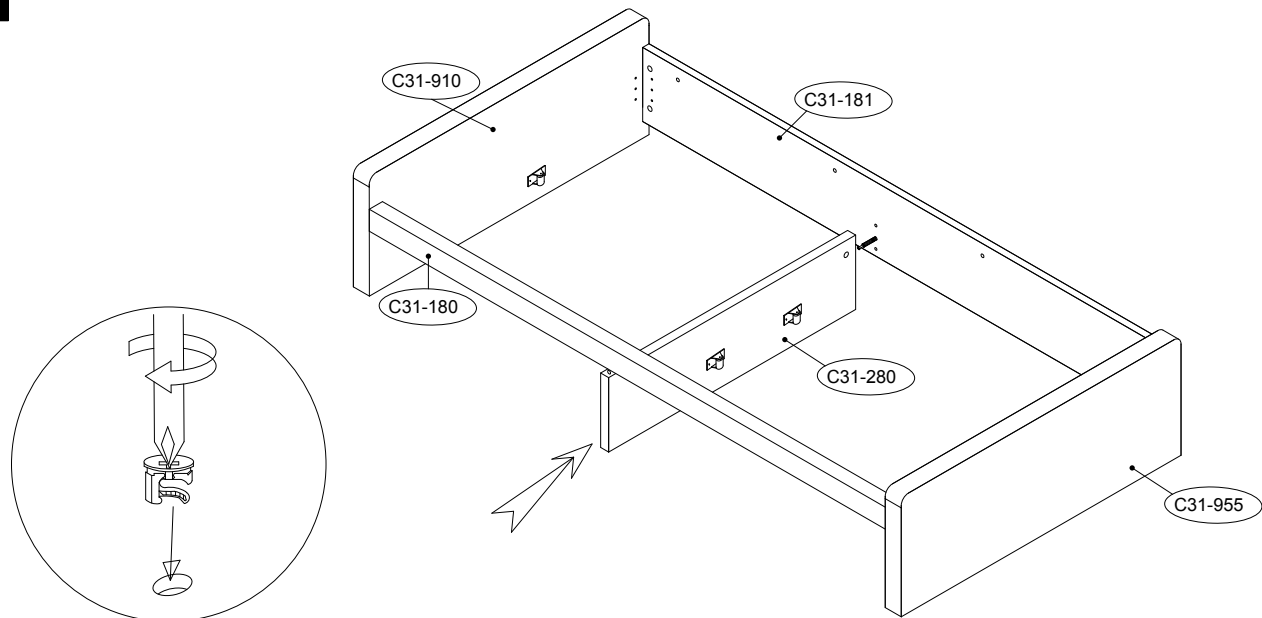
6



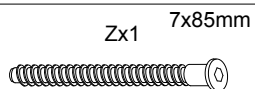
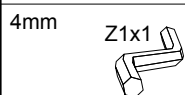
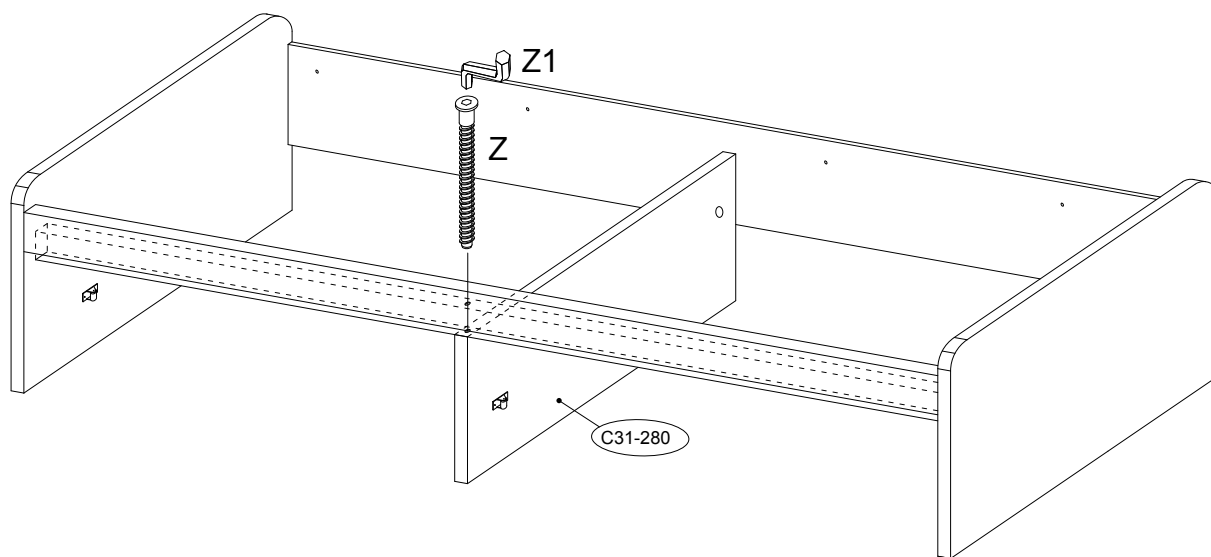
7



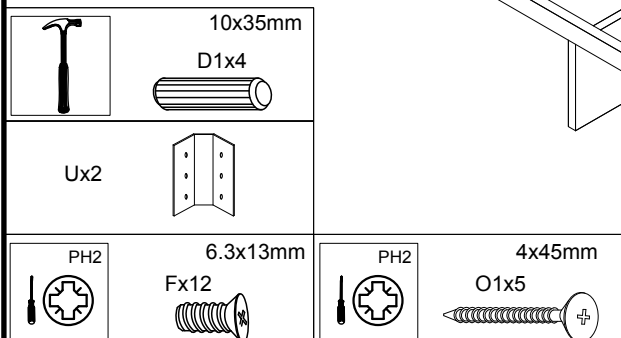
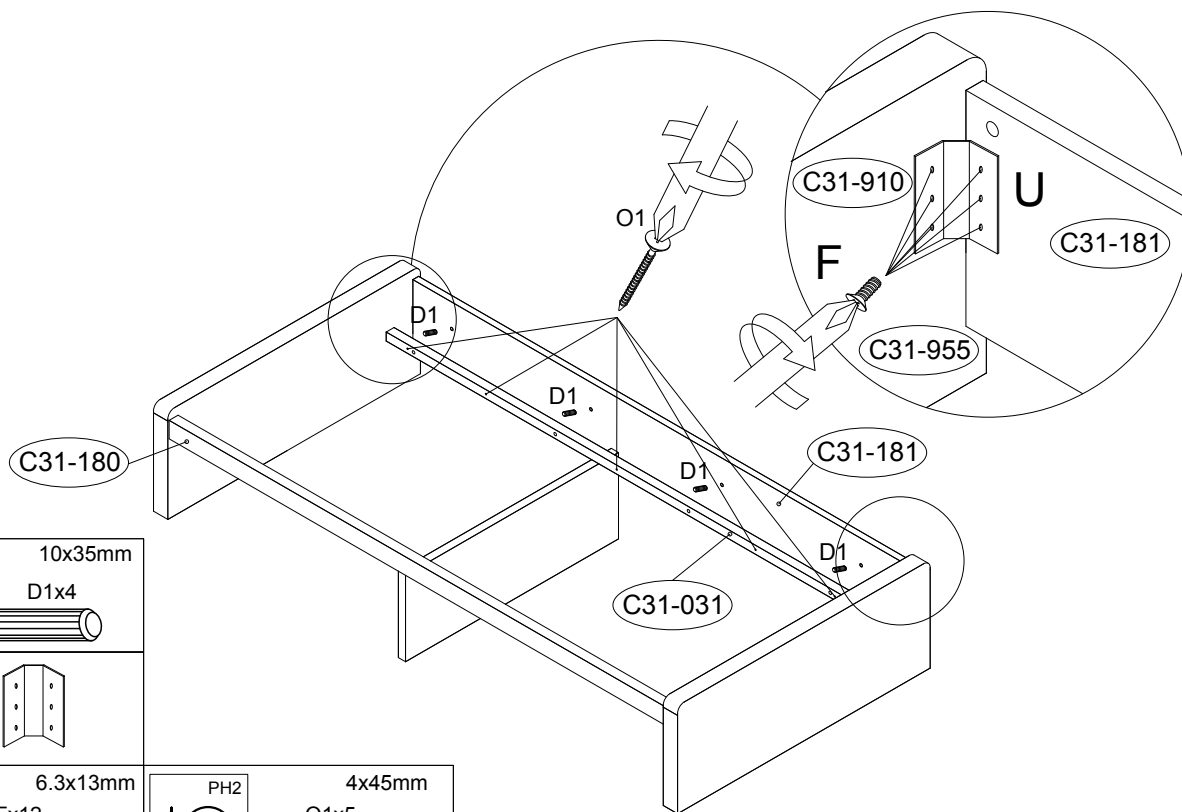
8



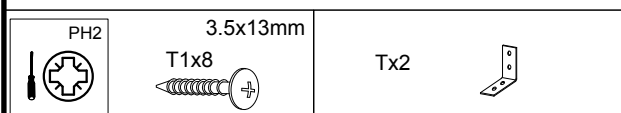
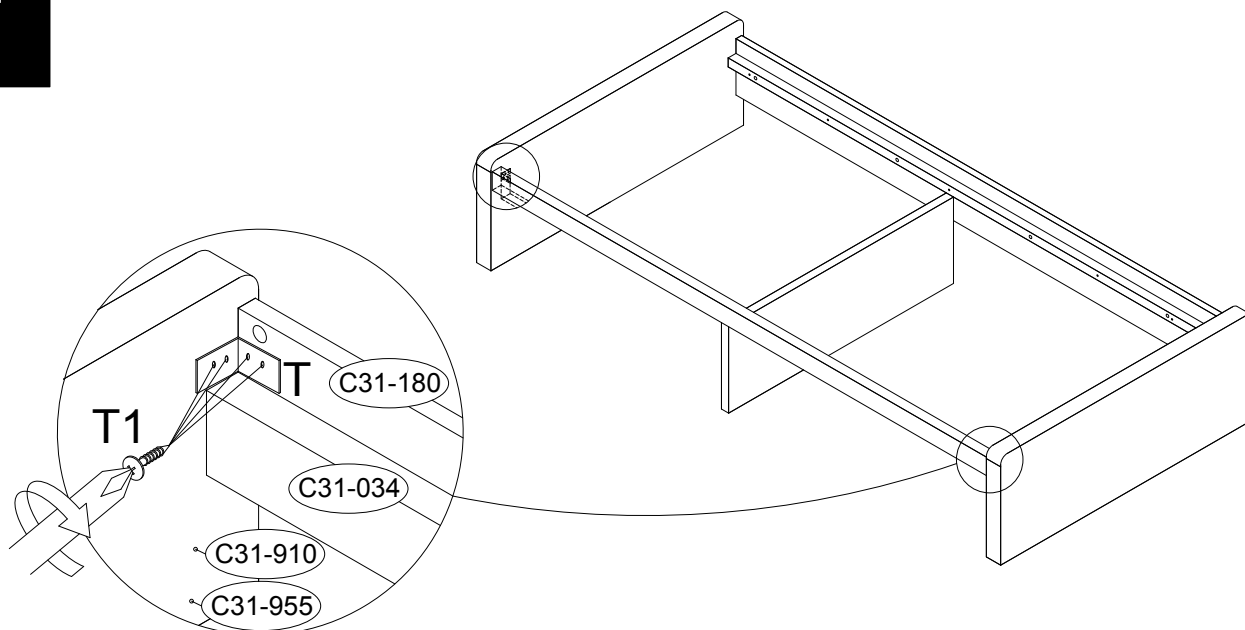
9



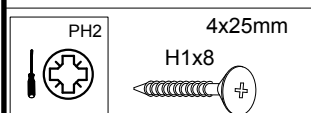
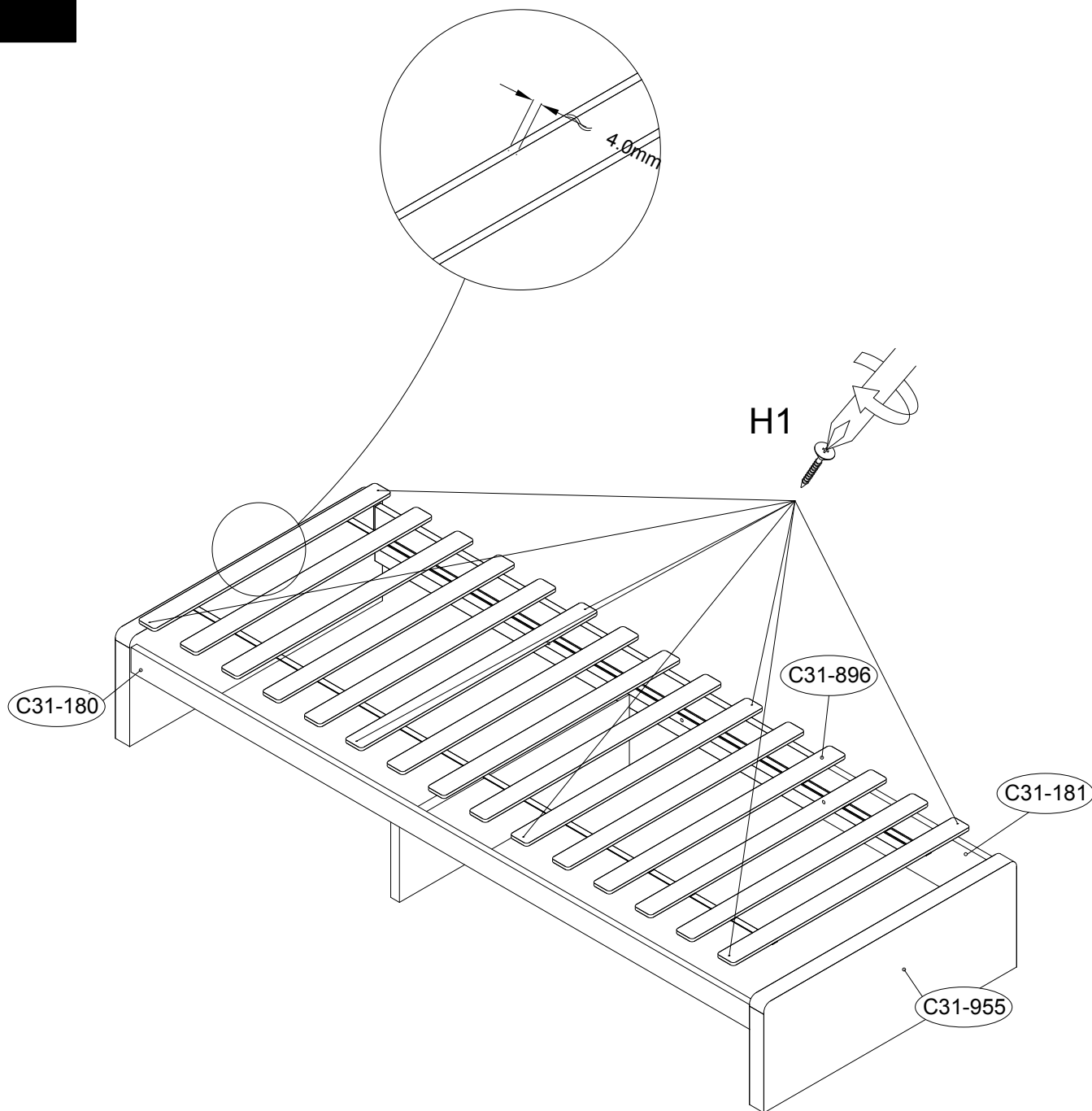
10



11



12





next

COMPTON OAK DIVAN

368219

Actual product size  
H40 x W196 x D98cm

