

BEFORE YOU GET STARTED...

We're confident you'll love your gorgeous new Next furniture. However, it's worth making absolutely certain before you put it all together.

So, let's quickly run through these three steps:

1. COLOUR

Make sure you're happy with the colour
No need to unpack everything, just check the first component.

2. PROTECTIVE PACKAGING

If you're happy, then it's time to get opening! Start by laying everything out on the protective packaging – this will prevent anything getting scratched.

3. PARTS PAGE

Finally, double check you have all the pieces by referencing the parts page of the instructions.

TIPS FOR RETURNS

Not completely happy with the product? No problem. We just need everything back in the original packaging, so follow the steps below and this will ensure a super-smooth returns process and no delay to your refund.

DO



- Check everything is there (the 'parts page' is a handy checklist).
- Pop all the loose fittings and fixtures into the packaging provided or tie them up in a plastic bag.
- Wrap all the big components back up in the original protective packaging.
- Close up the box and seal it securely (don't be afraid to use plenty of tape).

DON'T



- Leave anything assembled - all components should be dismantled and separately packed.
- Put loose fixtures and fittings straight into the box.
- Throw it back in the box carelessly – as it may get damaged.

next
HOME

Then just give us a call on 0333 777 8999 and we'll sort out a pick up time for you.

next

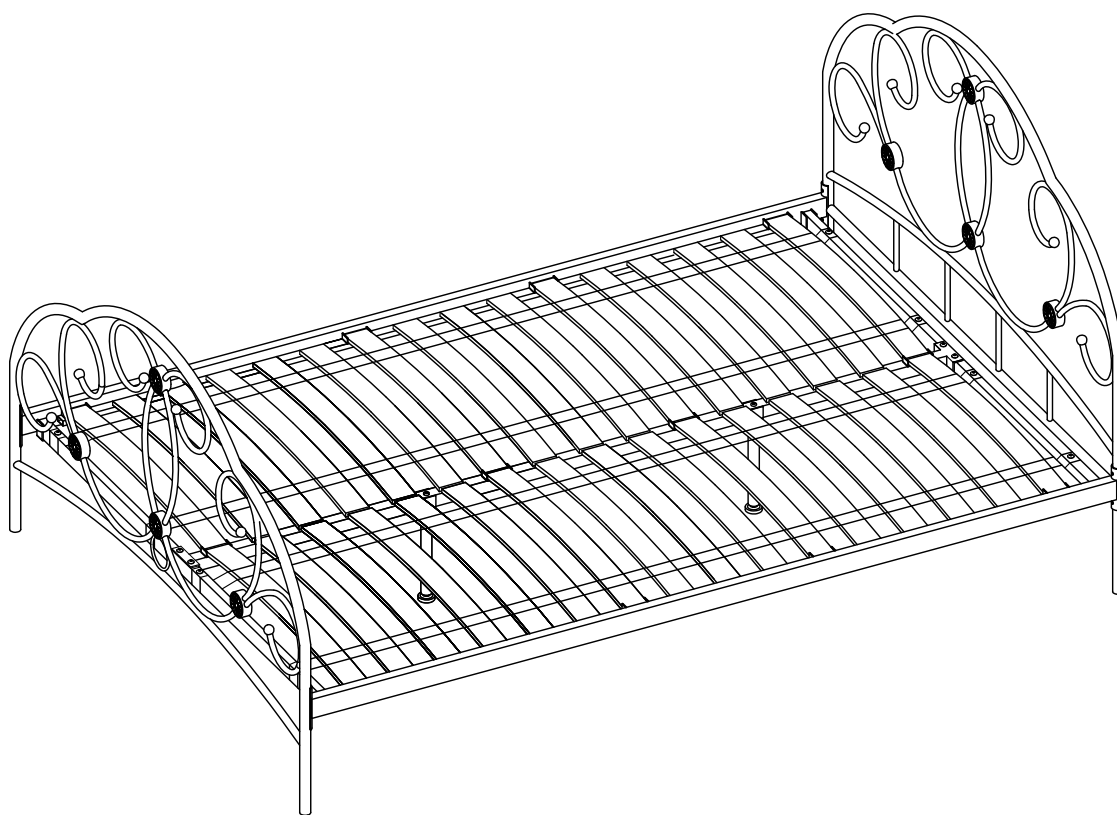
PRIMROSE WHITE KING

370841

Assembly instructions

Actual product size

H106 x W157 x L207cm



NEED HELP?

With: Assembly instructions

Missing or damaged parts

CALL: 0333 777 8999

IMPORTANT - RETAIN FOR FUTURE REFERENCE

BEFORE YOU START

Warnings

We suggest you retain these instructions for future reference.

Keep fittings out of children's reach and keep children well away from construction area.

This product should only be used on firm level ground.

Please periodically check all fittings and re-tighten as necessary

Please do not jump or stand on your bed.

Avoid exposing the furniture to excessive heat or direct sunlight as this can cause damage to the materials and deterioration of the colour.

Do's

We suggest you spend a short time reading through this leaflet before you start.

When you are ready to start, make sure that you have the right tools and plenty of space.

Due to the size of the product we recommend that it is assembled in the room intended for use.

Unwrap all packaging materials and place the components on a clean surface to protect it from damage, we recommend that the packaging is used to protect the surfaces during assembly.

Carefully check that you have all the parts before beginning assembly.

Ensure the product is fully assembled as illustrated and all fixings fully tightened before use. Check fixings regularly to ensure they remain tight.

When moving your assembled bed, it is best to lift the bed and never to drag it. Please check that the centre support rail is securely fixed in place.

When adjusting the support legs ensure that the foot is set 5-10mm from the floor surface without the mattress in place. When in use the legs will create the required support for the product.

Never allow any kind of liquid to remain on your furniture. Absorption can cause materials to warp or finishes to de-laminate.

Wipe occasionally with a soft cloth dampened with water. Then buff with a dry clean soft cloth.

Don'ts

Do not drag or pull your furniture

Do not use silicone based furniture polish. Silicone in furniture polishes can break down the finish

Do not stand or jump on this product

Please note:

Periodically check the condition of your bed slats and plastic locating caps to ensure they are in good condition and have not become loose.

Number of people required to assemble

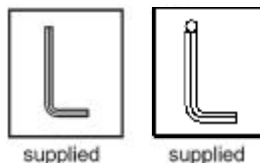
Two persons are required to assemble this item.

Time to assemble



30 Minutes

Tools required



Missing parts

If you are missing any fixtures and fittings for your product please contact our customer service team on 0333 777 8999 and they will be happy to arrange for a replacement to be sent to you free of charge.

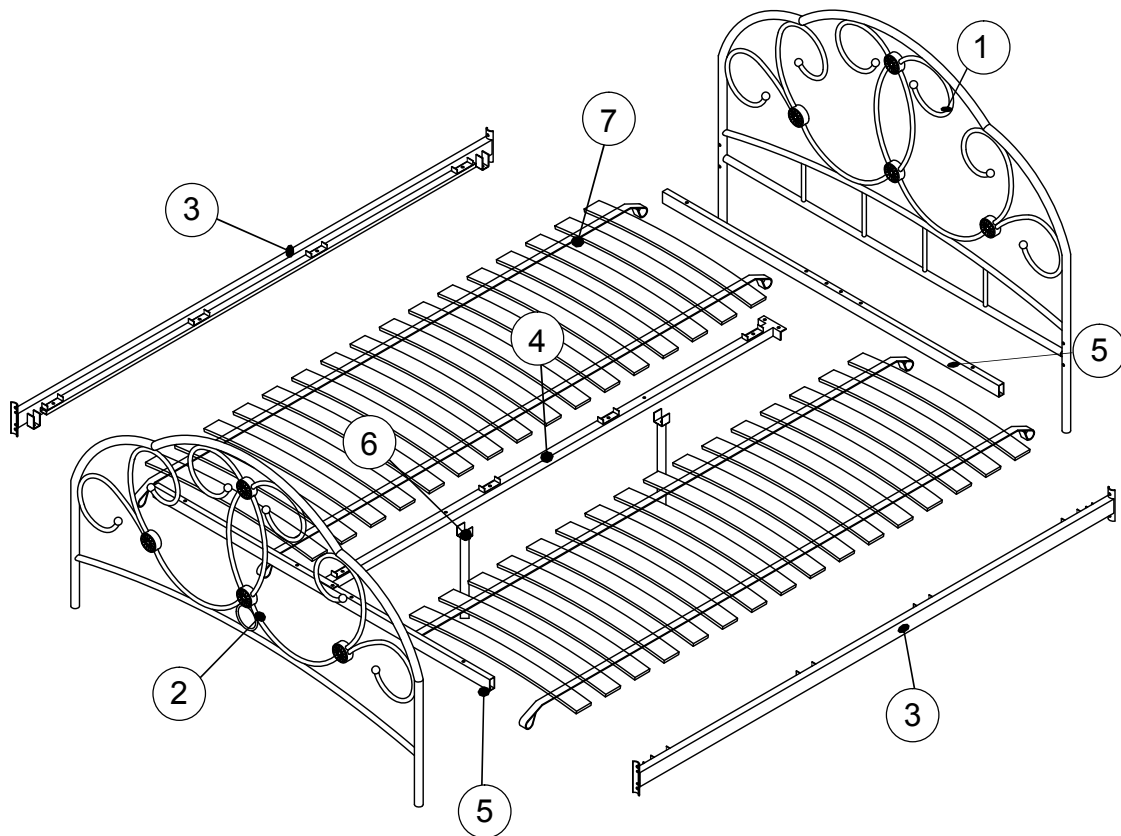
Home service technicians

If you have a fault with your product please contact our customer service team on 0333 777 8999. If you have had the product for 28 days or less you may be offered a replacement, refund or for a fully trained home service technician to visit your home to assess the fault and repair the product where possible. If you have had the product for more than 28 days we will send an independent home service technician to review and repair the product where possible and recommend further action.




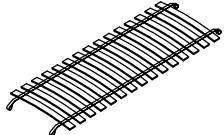



You can write to us at

Home Customer Services
Next Retail Ltd,
Desford Road,
Leicester,
LE19 4AT

GETTING TO KNOW YOUR PRODUCT

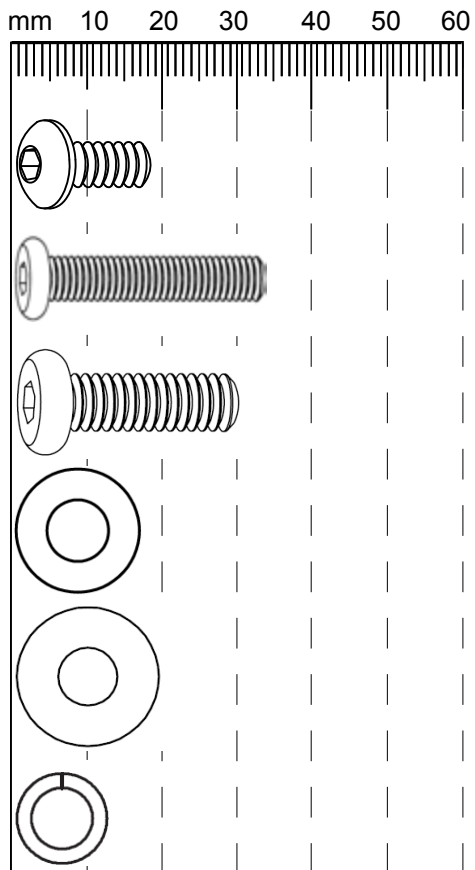


Components supplied. Please use this guide if you require a replacement parts.

Ref	Dimensions	Visual	Qty	Ctn	Ref	Dimensions	Visual	Qty	Ctn
1	157 x 106 cm		1	1	6	4 x 27 cm		2	1
2	157 x 88 cm		1	1	7	76x187.5cm		2	3
3	9 x 202 cm		2	2					
4	9 x 199 cm		1	2					
5	4 x 151 cm		2	1					

Fixtures and fittings supplied (actual size)

Ref	Dimensions	Qty	Spare fitting
A	6 x 19 mm	16	2
B	6 x 34 mm	2	1
C	8 x 30 mm	8	1
D	17x1.5 mm	8	1
E	24 x 1.5 mm	8	1
F	12.5 x 2 mm	8	1



Fixtures and fittings supplied (not to scale)

Ref	Dimensions	Visual	Qty
G	4mm		1
H	5mm		1

next

PRIMROSE WHITE KING

370841

Assembly instructions

1

H x 1 5 mm



E x 4 24 x 1.5 mm



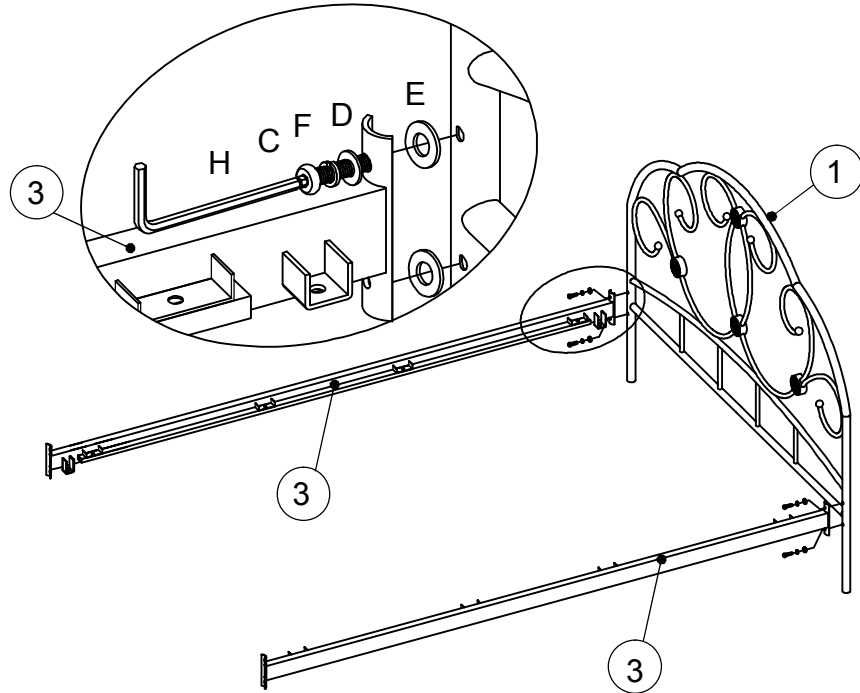
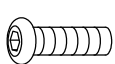
D x 4 17 x 1.5 mm



F x 4 12.5 x 2 mm



C x 4 8 x 30 mm



2

H x 1 5 mm



E x 4 24 x 1.5 mm



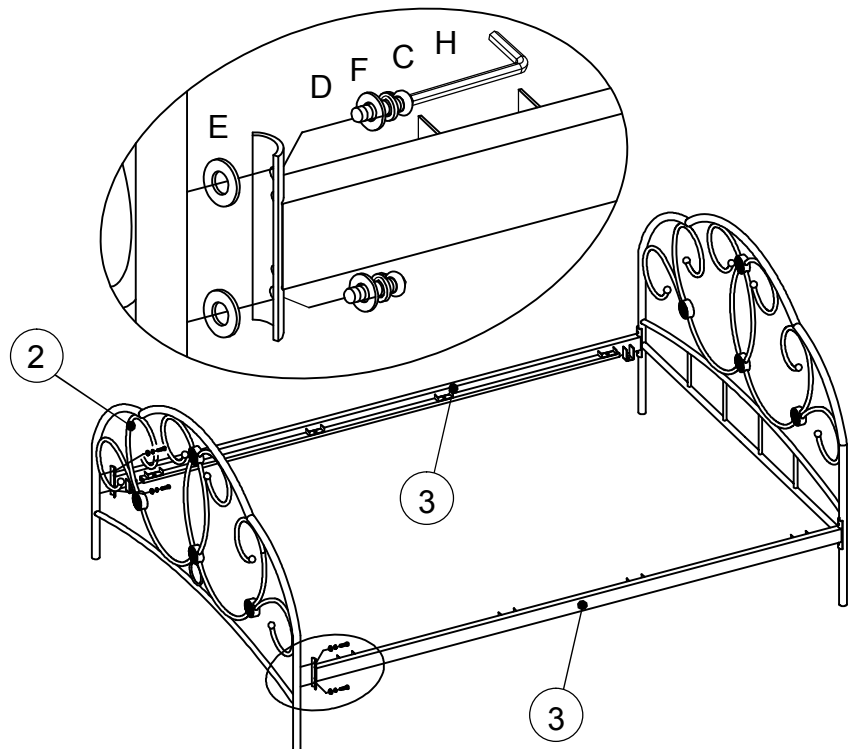
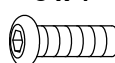
D x 4 17 x 1.5 mm



F x 4 12.5 x 2 mm



C x 4 8 x 30 mm



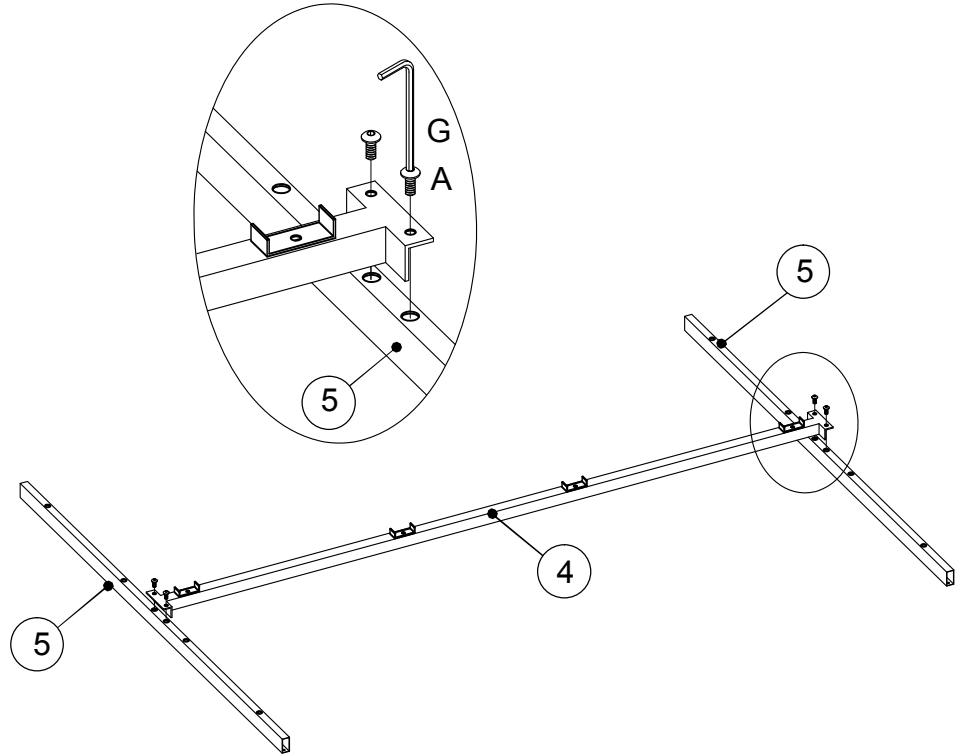
next

PRIMROSE WHITE KING

370841

Assembly instructions

3



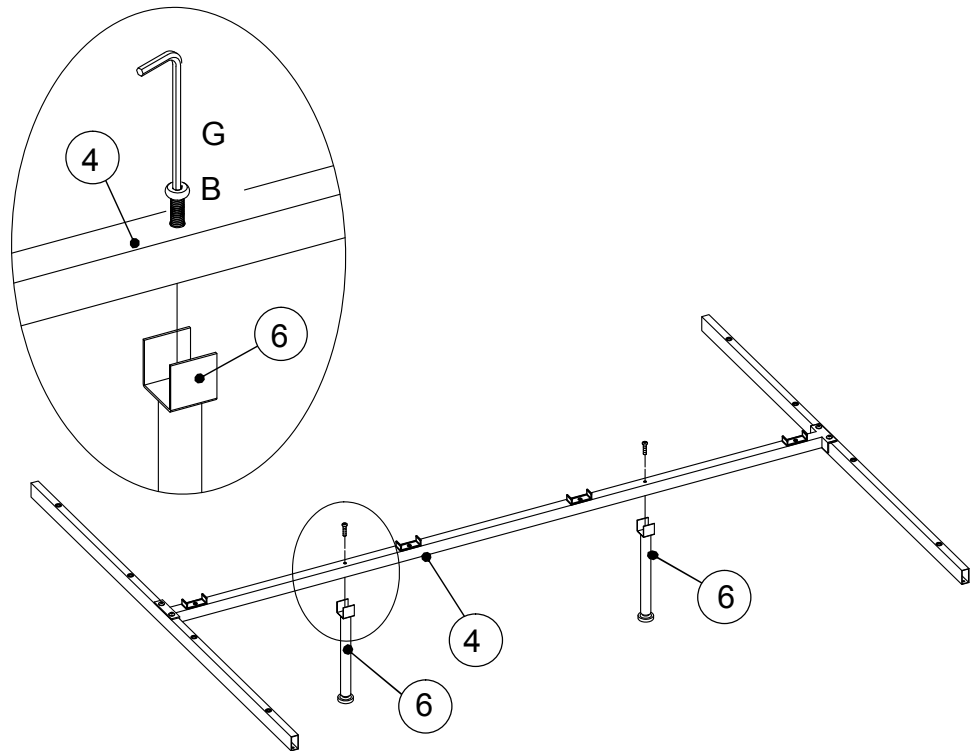
G x 1 4 mm



A x 4 6 x 19 mm



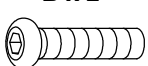
4



G x 1 4 mm



B x 2 6 x 34 mm



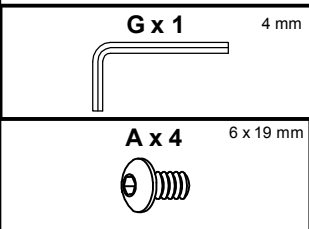
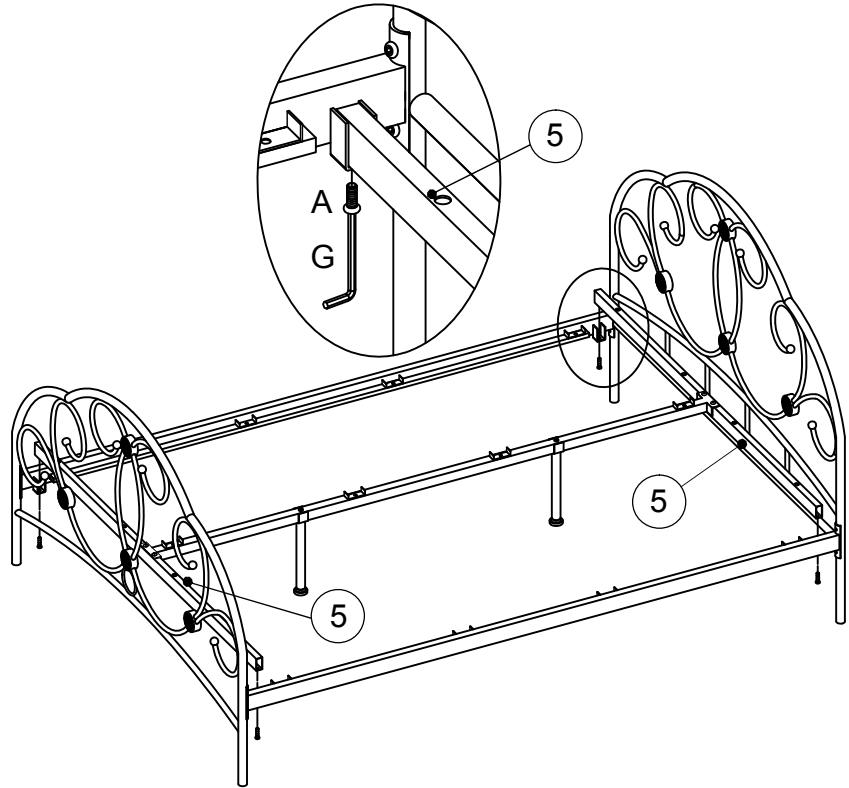
next

PRIMROSE WHITE KING

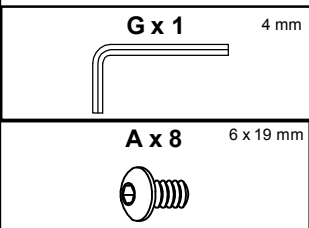
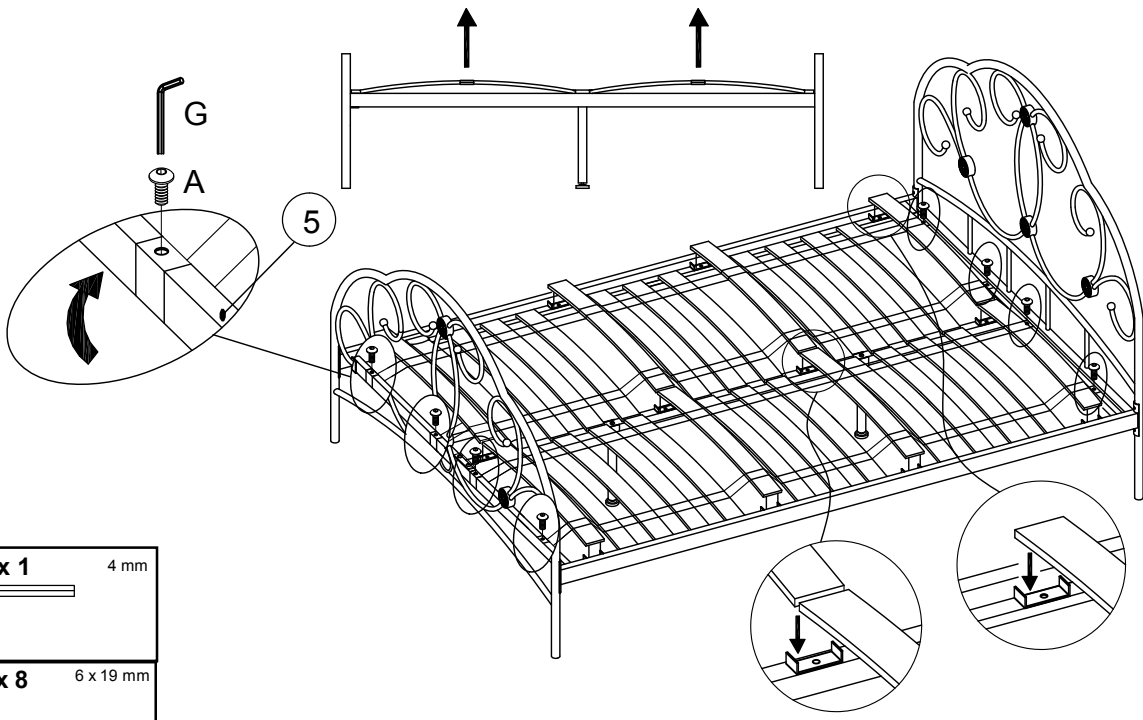
370841

Assembly instructions

5



6

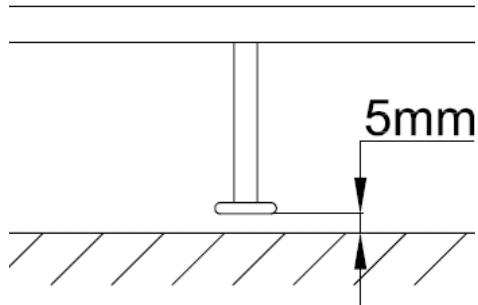


7

IMPORTANT: Once the feet (part 6) have been assembled and attached they should be adjusted to ensure they do not touch the floor (5mm above floor) to allow for movement once the mattress is placed on the bed frame.

It is important to note that when moving the bed ensure that it is not dragged into its new position to prevent the possibility of these feet being twisted or angled to one side which could lead to the collapse of the centre of the bed.

Remove the mattress and lift the bed into its new position to avoid damaging the bed. Ensure the feet are at 90° to the floor before replacing the mattress.



next

PRIMROSE WHITE KING
370841

Actual product size

H106 x W157 x L207cm

