

BEFORE YOU GET STARTED...

We're confident you'll love your gorgeous new Next furniture. However, it's worth making absolutely certain before you put it all together.

So, let's quickly run through these three steps:

1. COLOUR

Make sure you're happy with the colour
No need to unpack everything, just check the first component.

2. PROTECTIVE PACKAGING

If you're happy, then it's time to get opening! Start by laying everything out on the protective packaging – this will prevent anything getting scratched.

3. PARTS PAGE

Finally, double check you have all the pieces by referencing the parts page of the instructions.

TIPS FOR RETURNS

Not completely happy with the product? No problem. We just need everything back in the original packaging, so follow the steps below and this will ensure a super-smooth returns process and no delay to your refund.

DO



- Check everything is there (the 'parts page' is a handy checklist).
- Pop all the loose fittings and fixtures into the packaging provided or tie them up in a plastic bag.
- Wrap all the big components back up in the original protective packaging.
- Close up the box and seal it securely (don't be afraid to use plenty of tape).

DON'T



- Leave anything assembled - all components should be dismantled and separately packed.
- Put loose fixtures and fittings straight into the box.
- Throw it back in the box carelessly – as it may get damaged.

next
HOME

Then just give us a call on 0333 777 8999 and we'll sort out a pick up time for you.

next

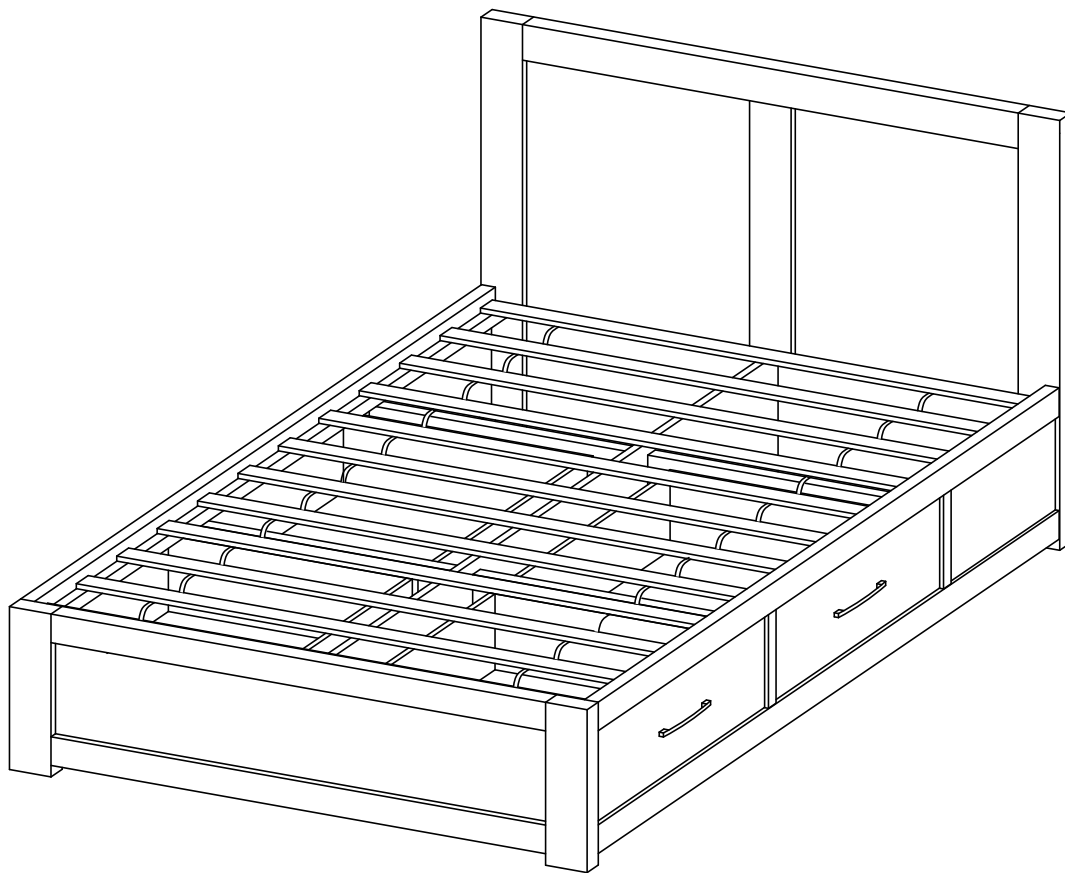
WALNUT STORAGE BED-KING

383638-218

Assembly instructions

Actual product size

H112 x W160 x D210cm



Need Help?

With: Assembly instructions
Missing or damaged parts

IMPORTANT - RETAIN FOR FUTURE REFERENCE

CALL: 0333 777 8999

BEFORE YOU START

Warnings

We suggest you retain these instructions for future reference.

Keep fittings out of children's reach and keep children well away from the construction area.

This product should only be used on firm, level ground.

Please periodically check all fittings and re-tighten as necessary.

Please do not jump or stand on your bed.

Avoid exposing the furniture to excessive heat or direct sunlight as this can cause damage to the materials and deterioration of the colour

Do's

We suggest you spend a short time reading through this leaflet before you start.

When you are ready to start, make sure that you have the right tools and plenty of space.

Due to the size of the product we recommend that it is assembled in the room intended for use

Unwrap all packaging materials and place the components on a clean surface to protect them from damage,

We recommend that the packaging is used to protect the surfaces during assembly

Carefully check that you have all the parts before beginning assembly

Ensure the product is fully assembled as illustrated and all fixings fully tightened before use.

Check fixings regularly to ensure they remain tight

When moving your assembled bed. It is best to lift the bed and never to drag it. Please check that the centre support rail is securely fixed in place

When adjusting the support legs ensure that the foot is set 5-10mm from the floor surface without the mattress in place.

When in use the legs will create the required support for the product

Wipe occasionally with a soft cloth dampened with water. Then buff with a dry clean soft cloth

Don'ts

Do not drag or pull your furniture.

Do not use silicone based furniture polish. Silicone in furniture polishes can break down the finish.

Never allow any kind of liquid to remain on your furniture.

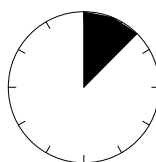
Absorption can cause wood to warp or finishes to de-laminate.

Do not place hot items (e.g. hot drinks) directly on to the wood surface. Please make sure you use a placement or coaster

Number of people required to assemble

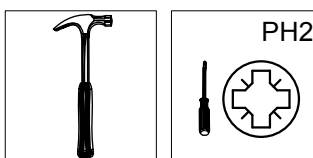
Two persons are required to assemble this item.

Time to assemble



1.5 hours

Tools required



not supplied

not supplied

Missing parts

If you are missing any fixtures and fittings for your product please contact our customer service team on 0333 777 8999 and they will be happy to arrange for a replacement to be sent to you free of charge.

Home service technicians

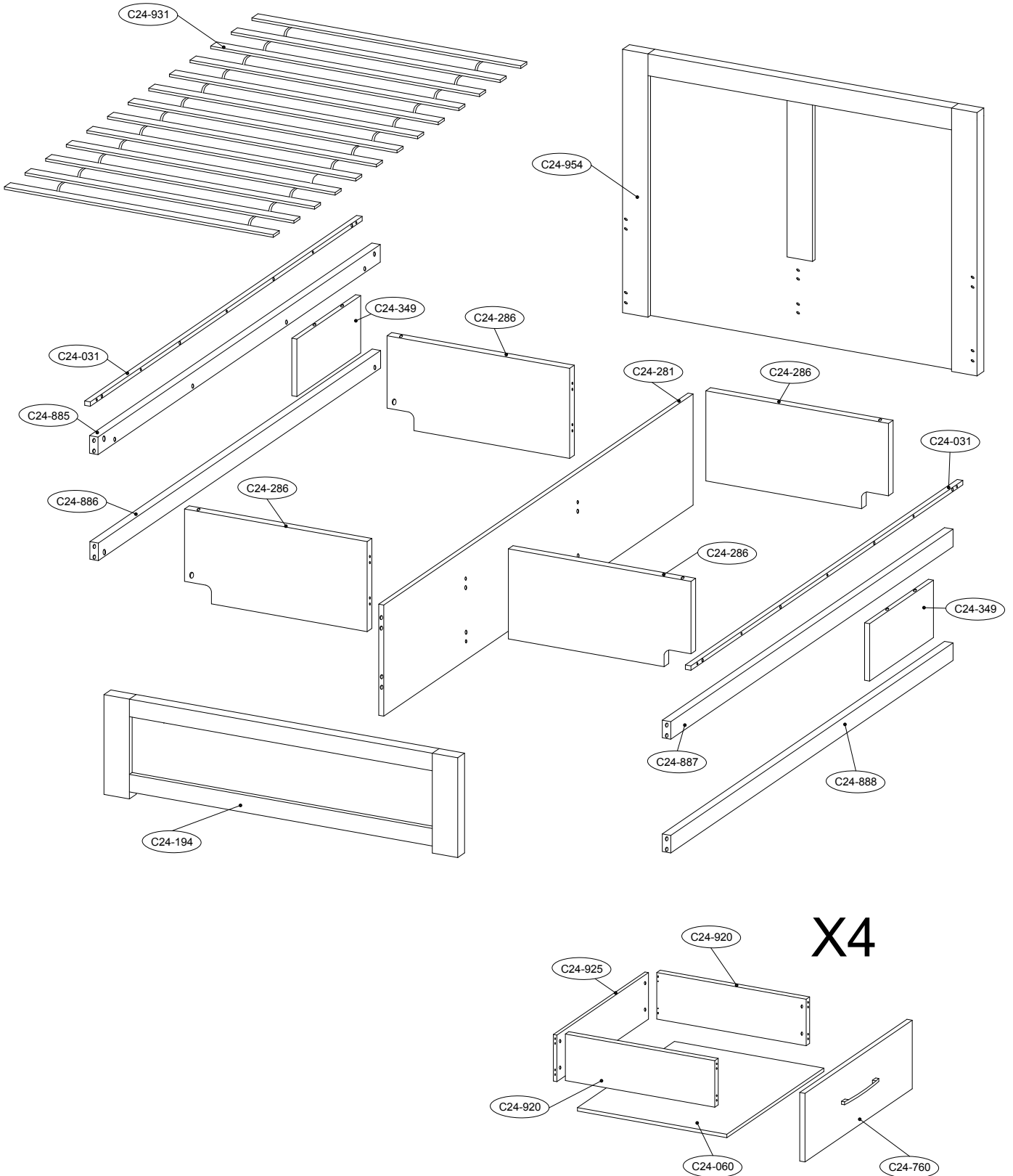
If you have a fault with your product please contact our customer service team on 0333 777 8999. If you have had the product for 28 days or less you may be offered a replacement, refund or for a fully trained home service technician to visit your home to assess the fault and repair the product where possible. If you have had the product for more than 28 days we will send an independant home service technician to review and repair the product where possible and recommend further action.

You can write to us at

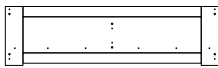


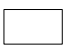
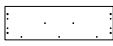
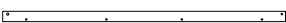
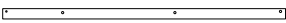

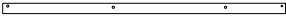

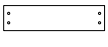
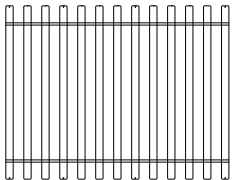
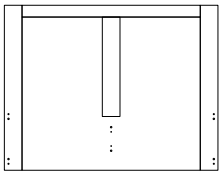

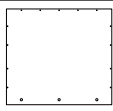
Home Customer Services
Next Retail Ltd,
Desford Road,
Leicester,
LE19 4AT

To View our full furniture range please visit www.next.co.uk

GETTING TO KNOW YOUR PRODUCT

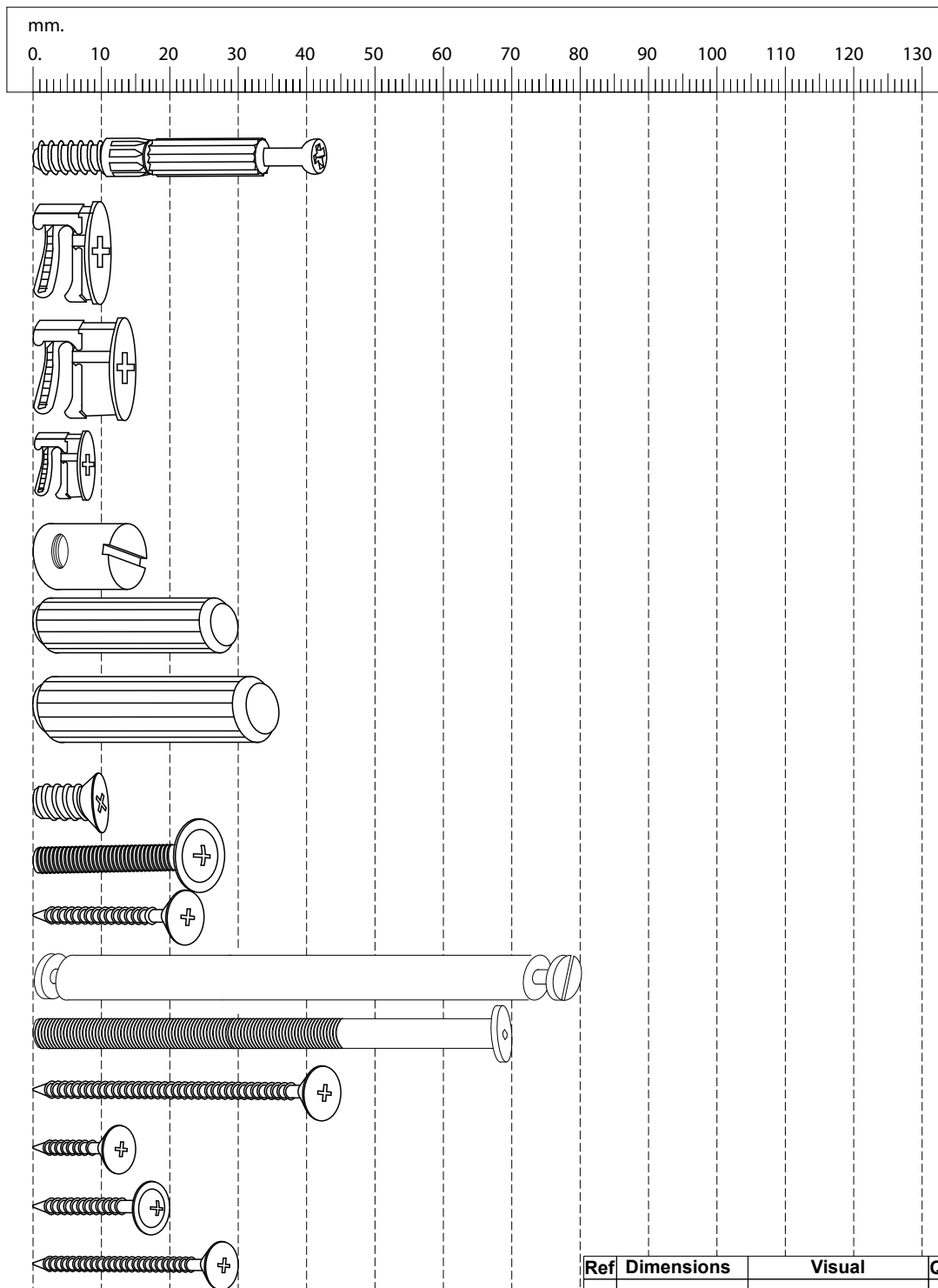


Components supplied. Please use this guide if you require replacement parts.

Ref	Dimensions	Visual	Qty	Ctn
C24-194	40 x 160cm		1	2
C24-281	203 x 36cm		1	1
C24-286	79 x 33cm		4	3
C24-349	50 x 23cm		2	3
C24-760	73 x 23cm		4	3
C24-885	202 x 7cm		1	1
C24-886	202 x 7cm		1	1
C24-887	202 x 7cm		1	1
C24-888	202 x 7cm		1	1
C24-920	65 x 17cm		8	1
C24-925	68 x 17cm		4	3
C24-931	191 x 151cm		1	1
C24-954	112 x 160cm		1	2
C24-031	191 x 3cm		2	1
C24-060	71 x 65cm		4	3

Fixtures and fittings supplied (actual size)

Ref	Dimensions	Qty
A	6 x 43 mm	60
B	15 x 11 mm	32
B1	15 x 15 mm	24
B2	12 x 9 mm	12
C1	10 x 17 mm	4
D	8 x 30 mm	44
D1	10 x 35 mm	28
F6	6.3 x 11 mm	24
G	4 x 28 mm	8
H1	4 x 25 mm	8
K1	7 x 82 mm	4
N1	6 x 70 mm	4
O1	4 x 45 mm	10
P1	3 x 15 mm	8
P4	3 x 20 mm	24
S1	3 x 30 mm	52



Fixtures and fittings supplied (not to scale)

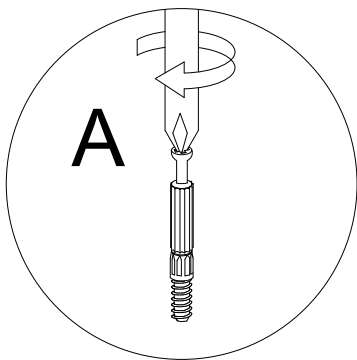
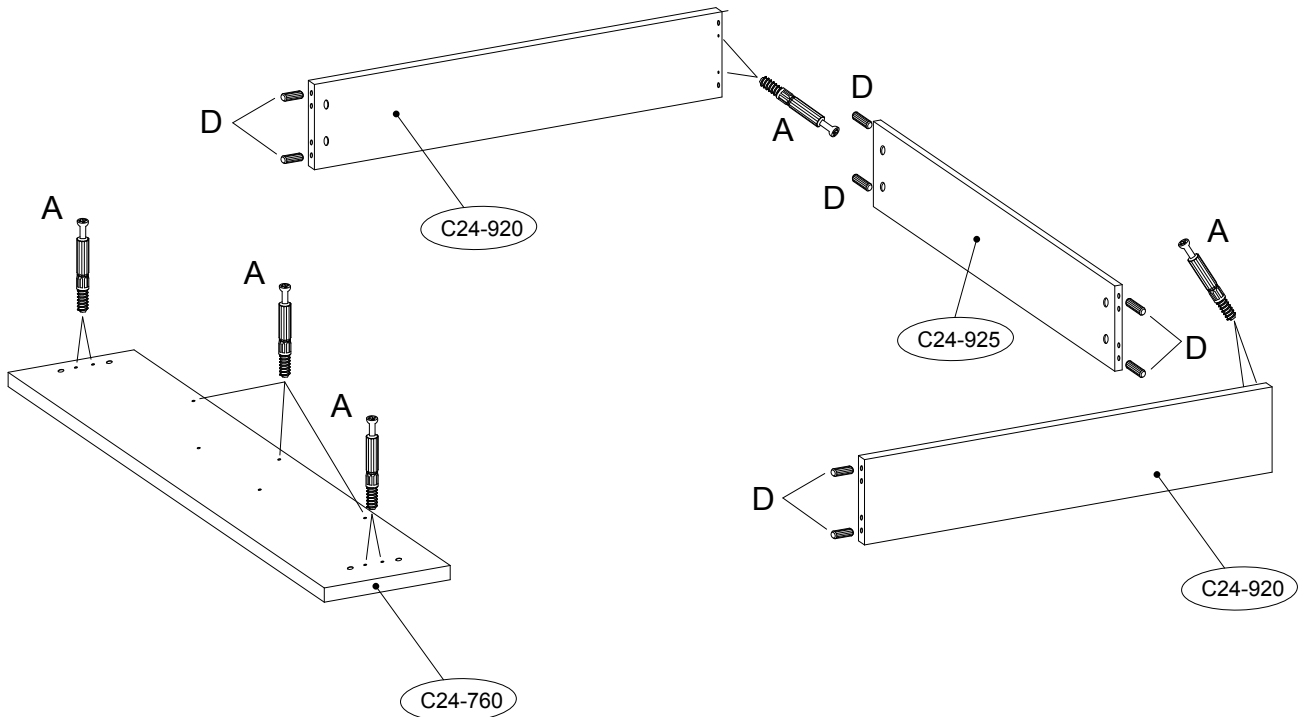
Ref	Dimensions	Visual	Qty
M	N/A		1

Ref	Dimensions	Visual	Qty
U1	N/A		4

Ref	Dimensions	Visual	Qty
SL	N/A		4
SR	N/A		4

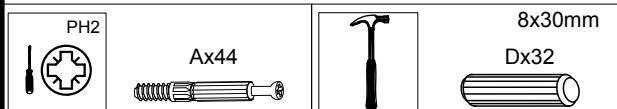
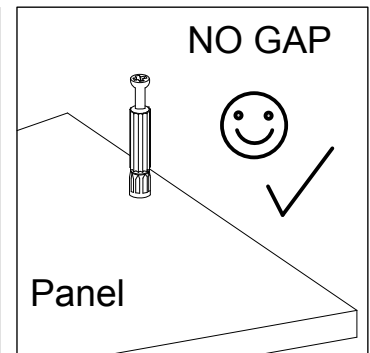
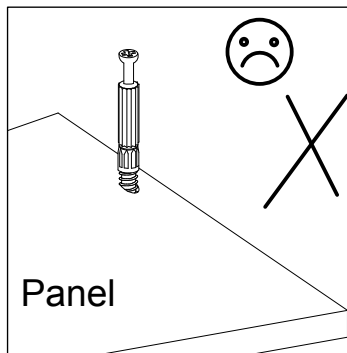
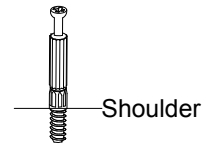
1

x4



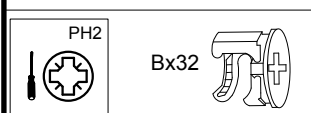
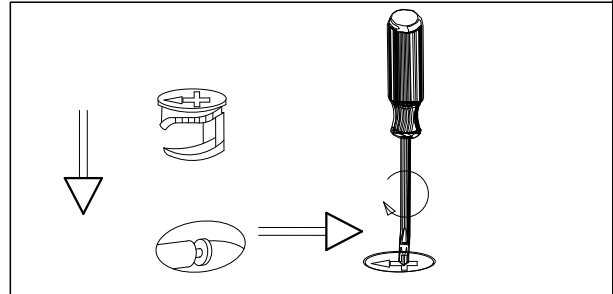
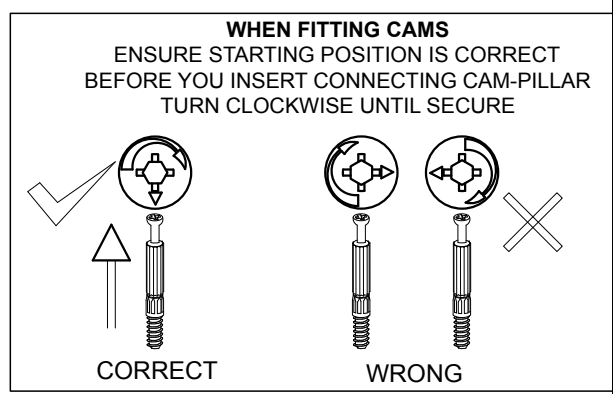
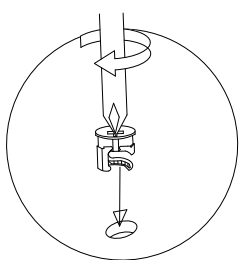
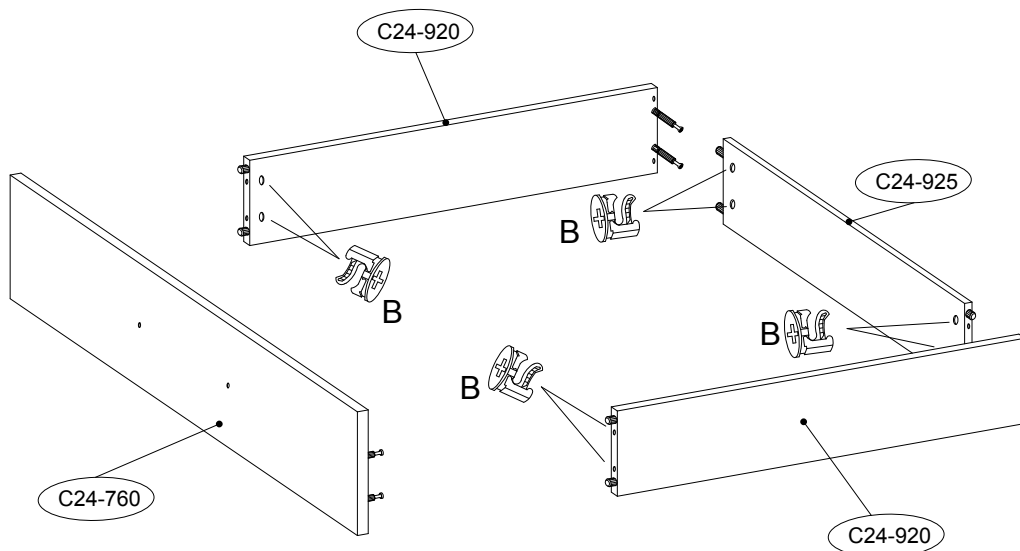
CAM-LOCK

Tighten until shoulder is flush with panel. Do not overtighten or undertighten (see example below)



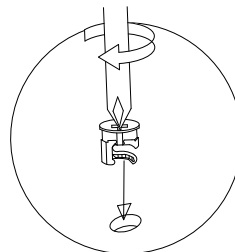
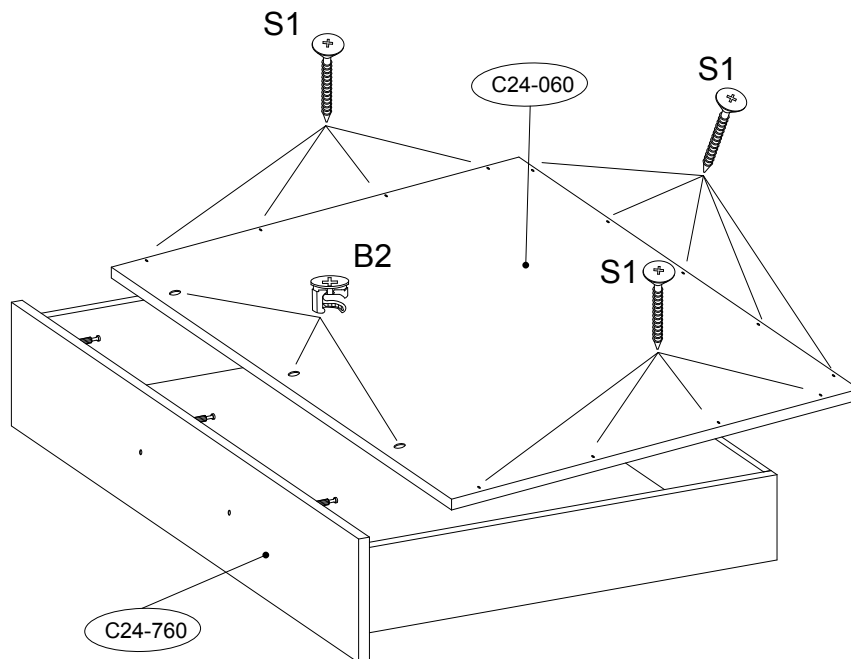
2




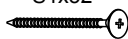

x4



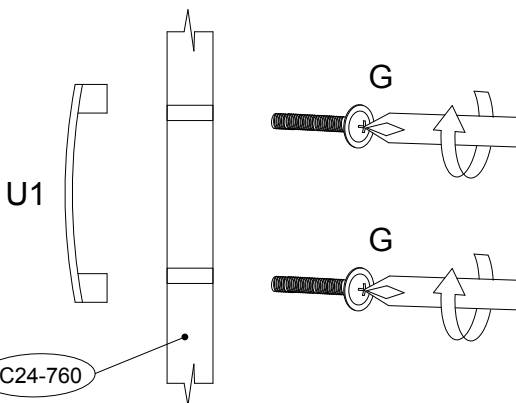
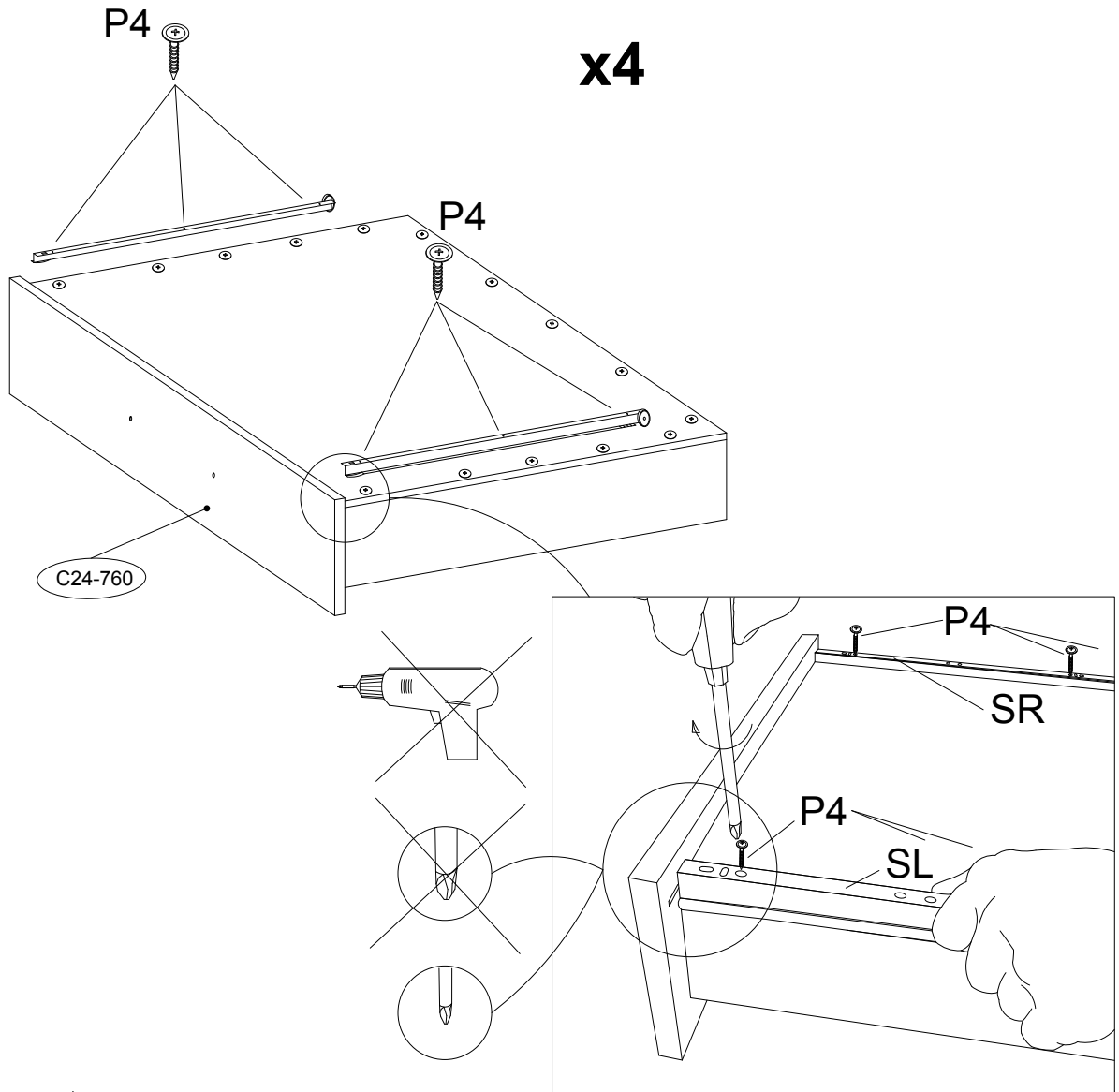
3

x4



 PH2	 B2x12	 PH2	 S1x52	 3x30mm
---	--	--	--	---

4



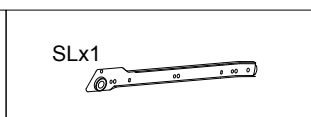
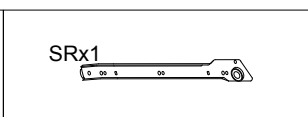
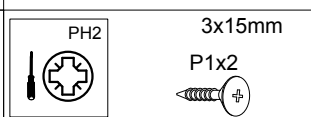
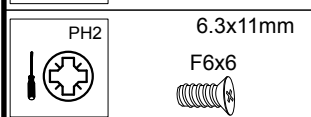
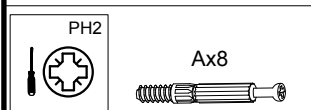
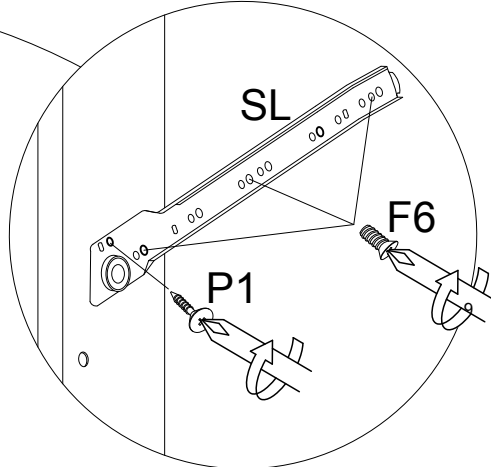
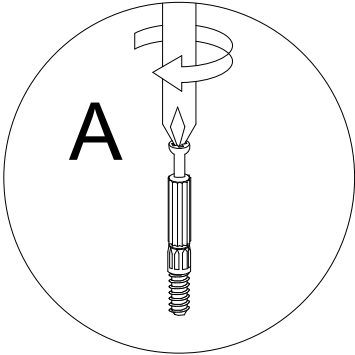
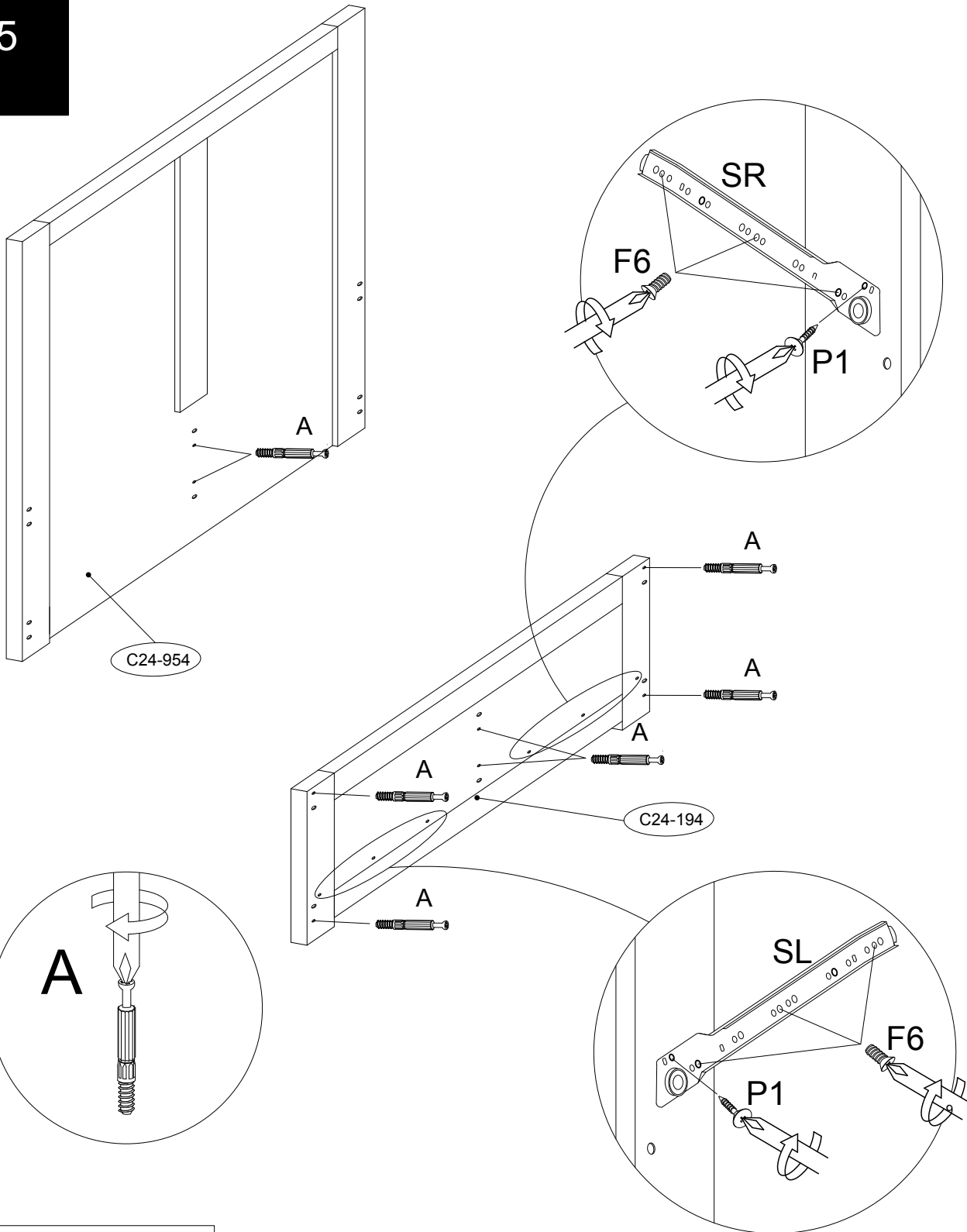
SLx4
SRx4

PH2	4x28mm
Gx8	

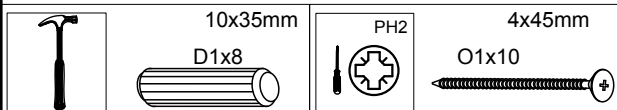
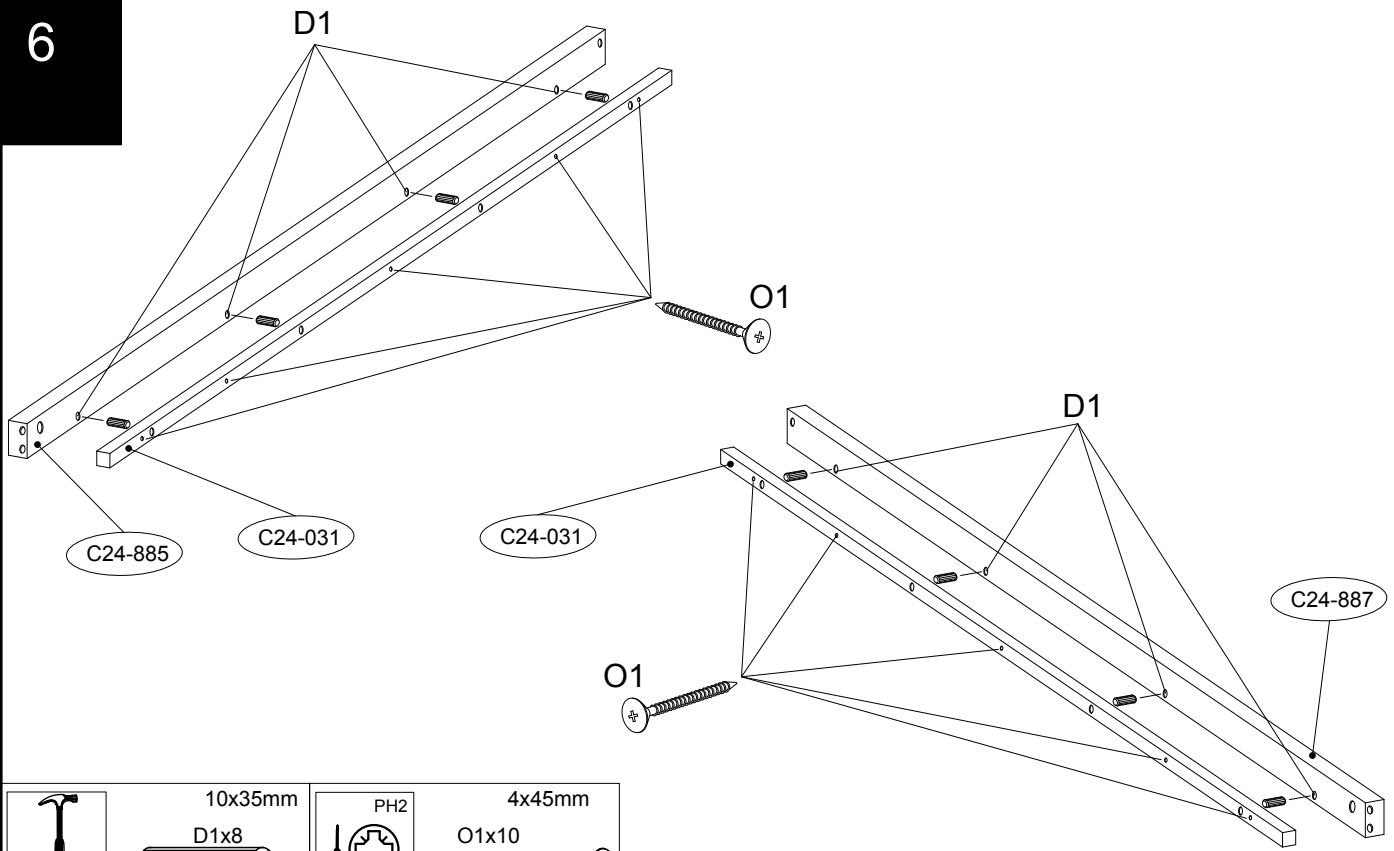
U1x4	
------	--

PH2	3x20mm
P4x24	

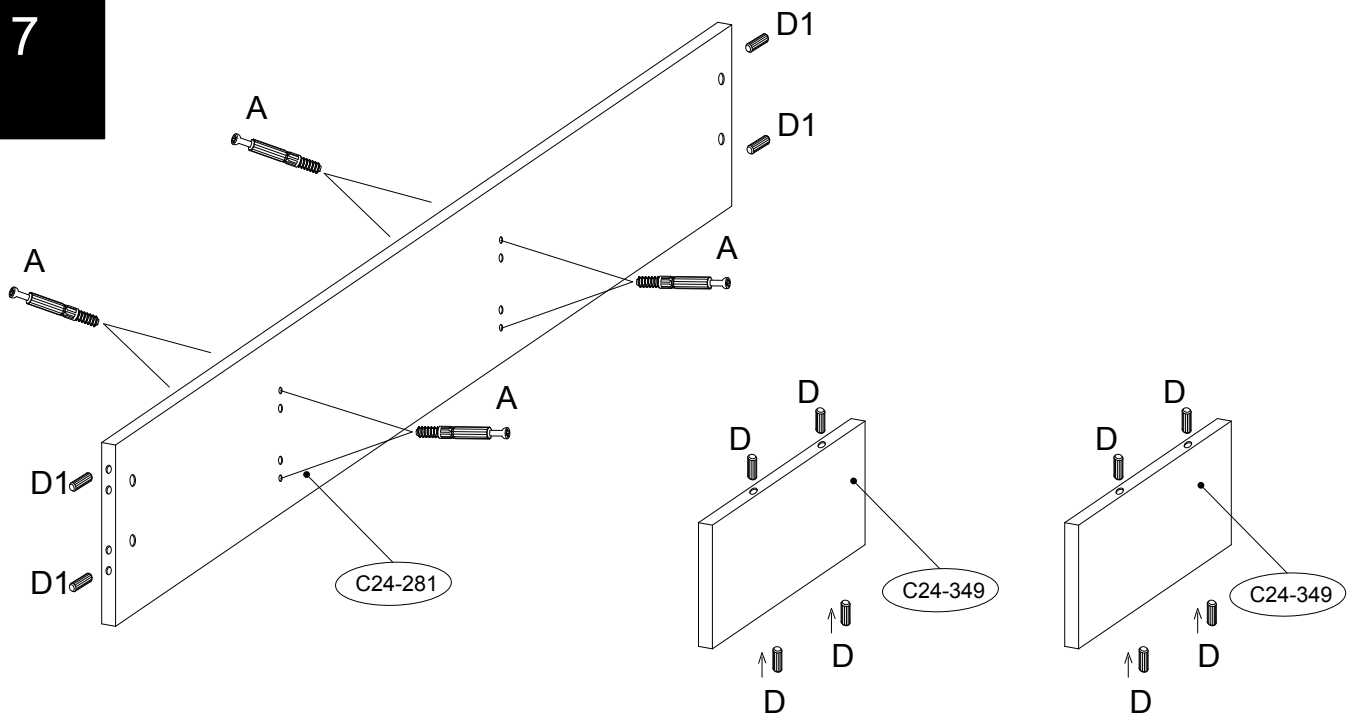
5



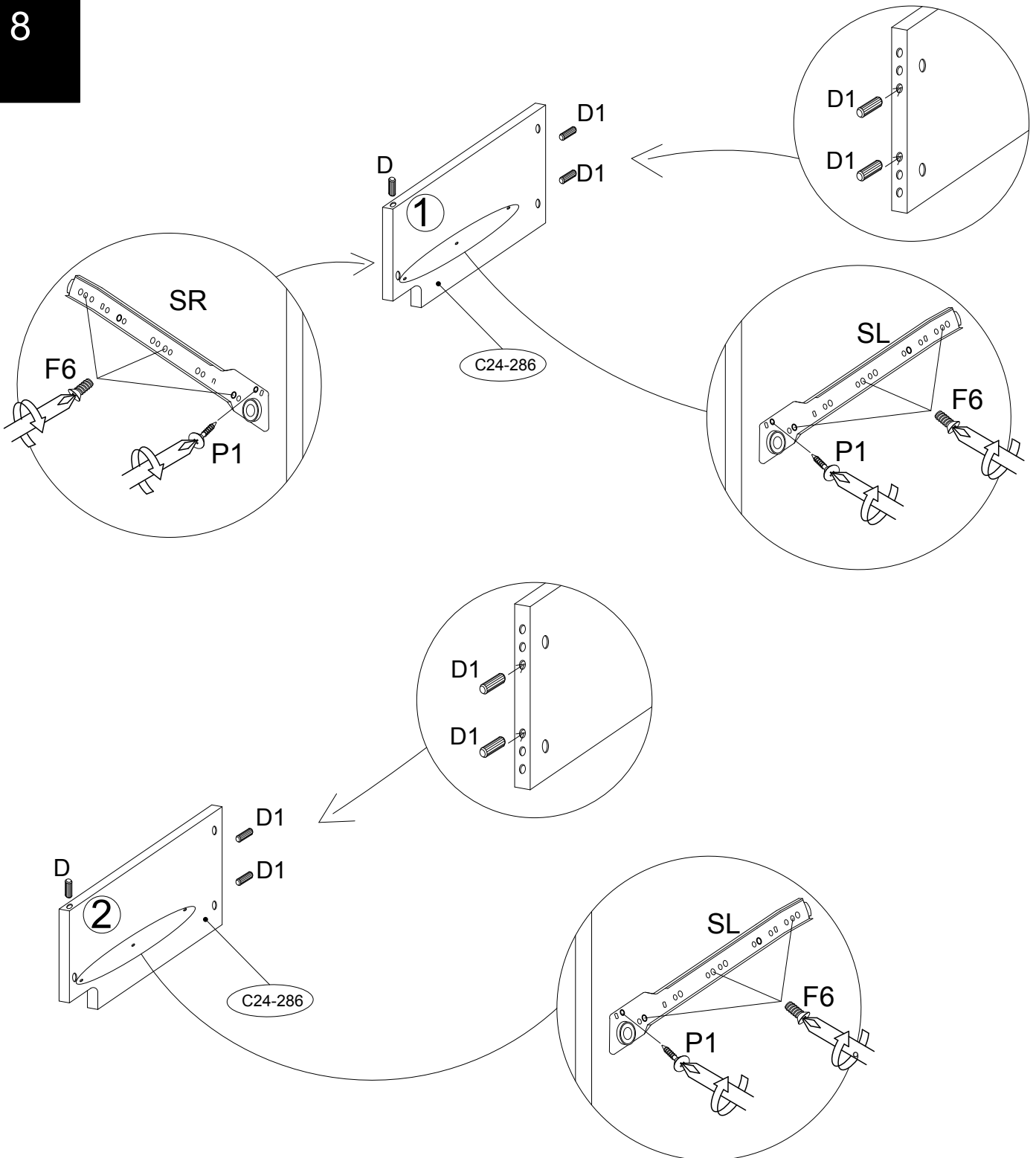
6

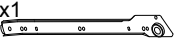





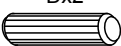
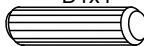

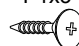


7

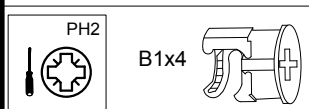
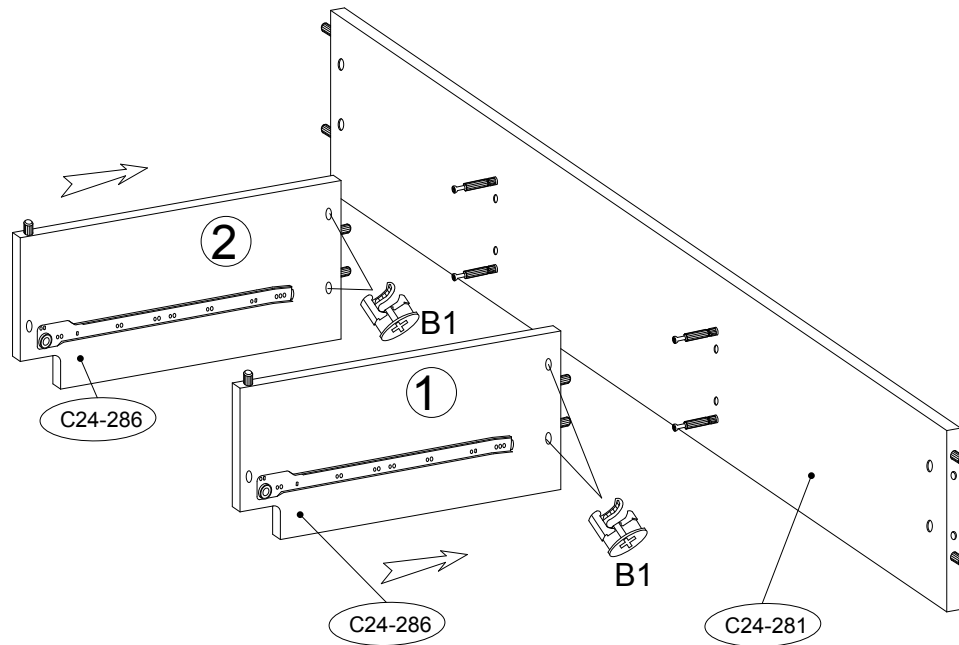
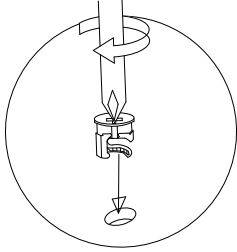


8

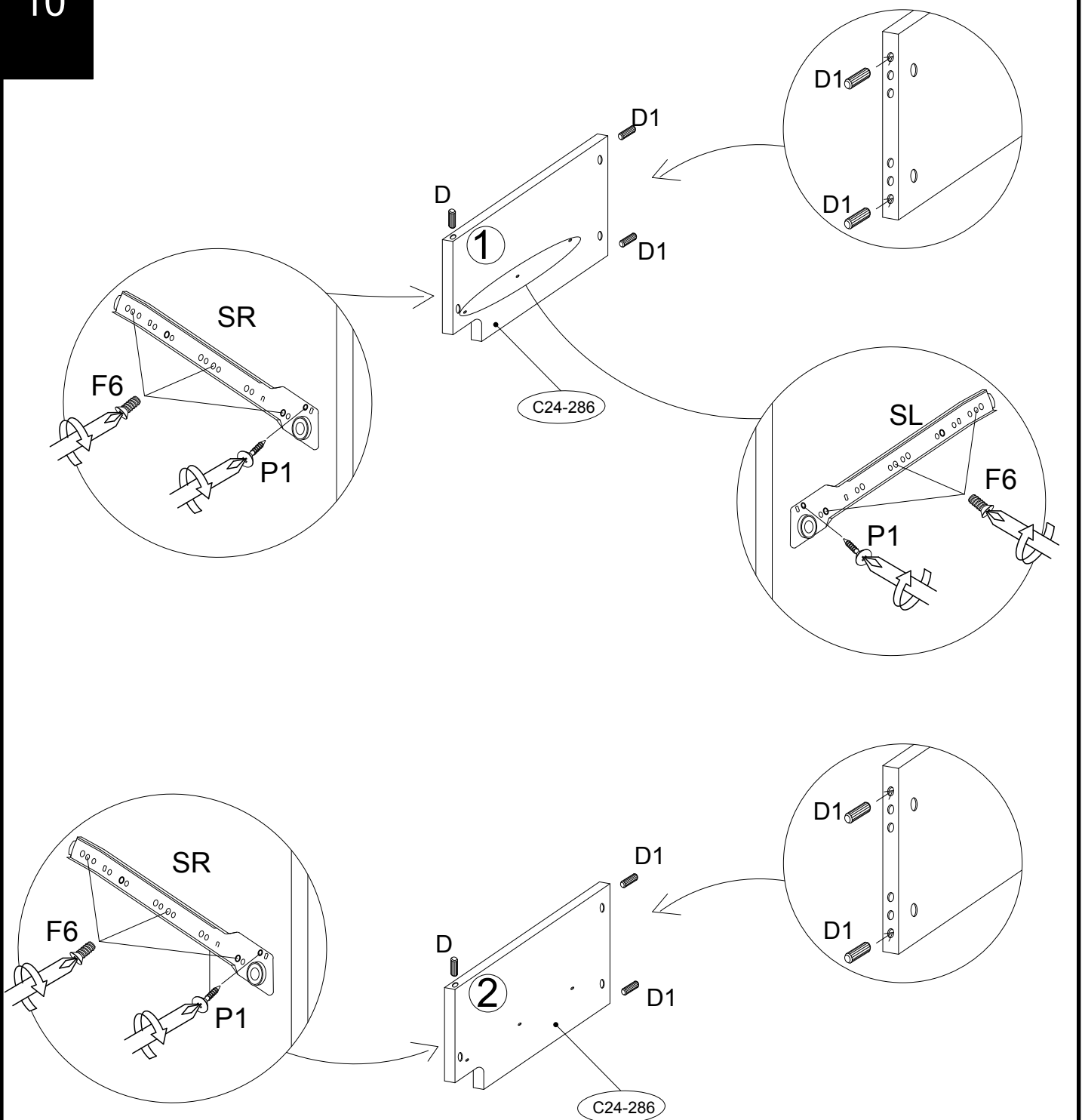


							
							
8x30mm		10x35mm		PH2		6.3x11mm	
Dx2		D1x4		F6x9		PH2	
							
						3x15mm	
						P1x3	

9

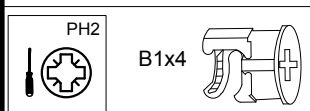
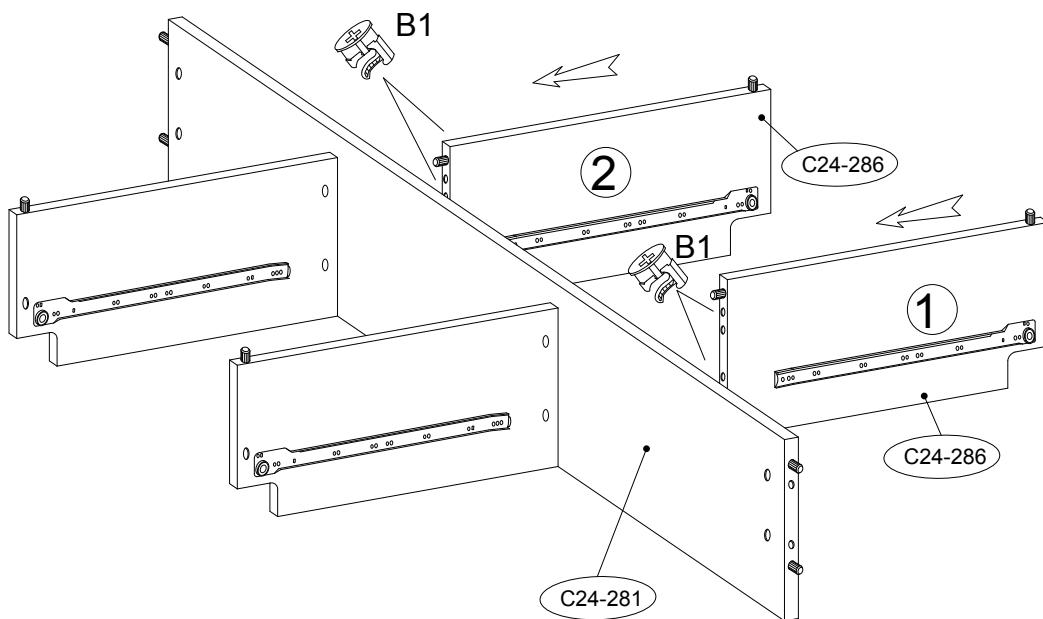
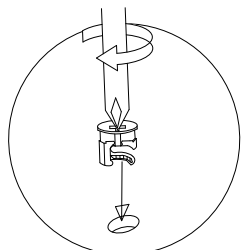


10

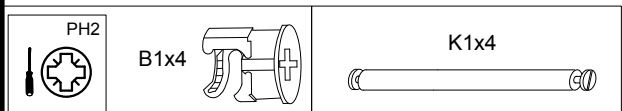
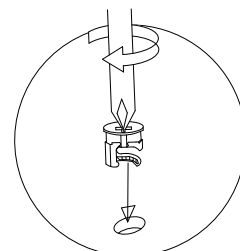
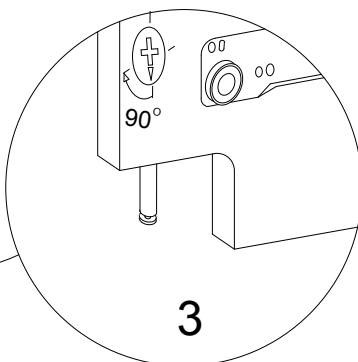
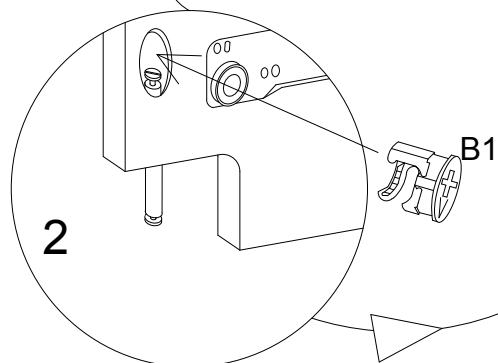
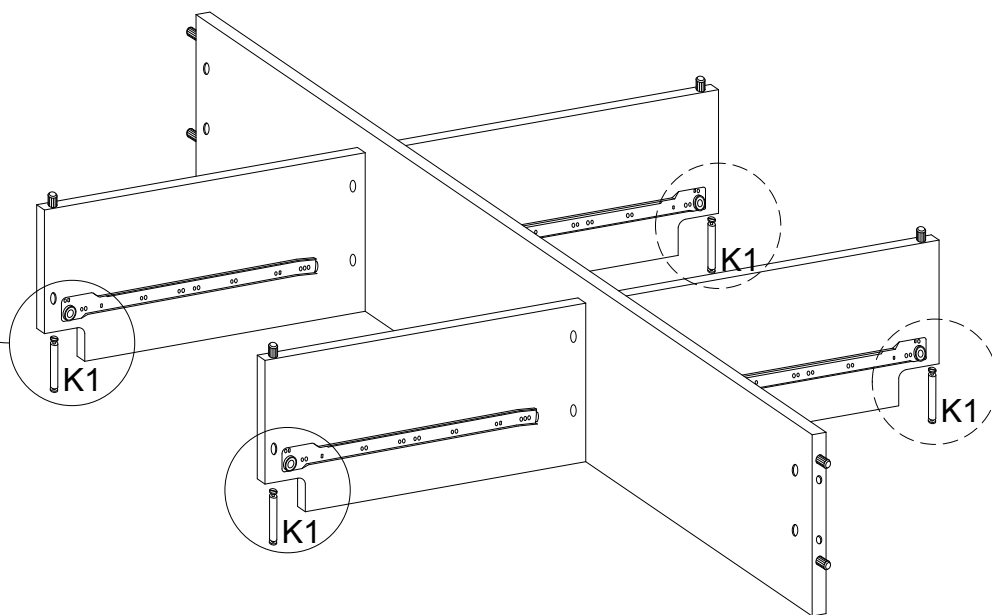
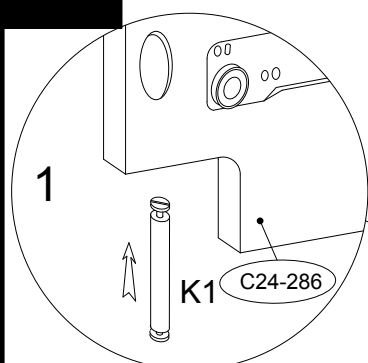


SRx2	SLx1				
8x30mm	10x35mm	PH2	6.3x11mm	PH2	3x15mm
Dx2	D1x4	F6x9		P1x3	

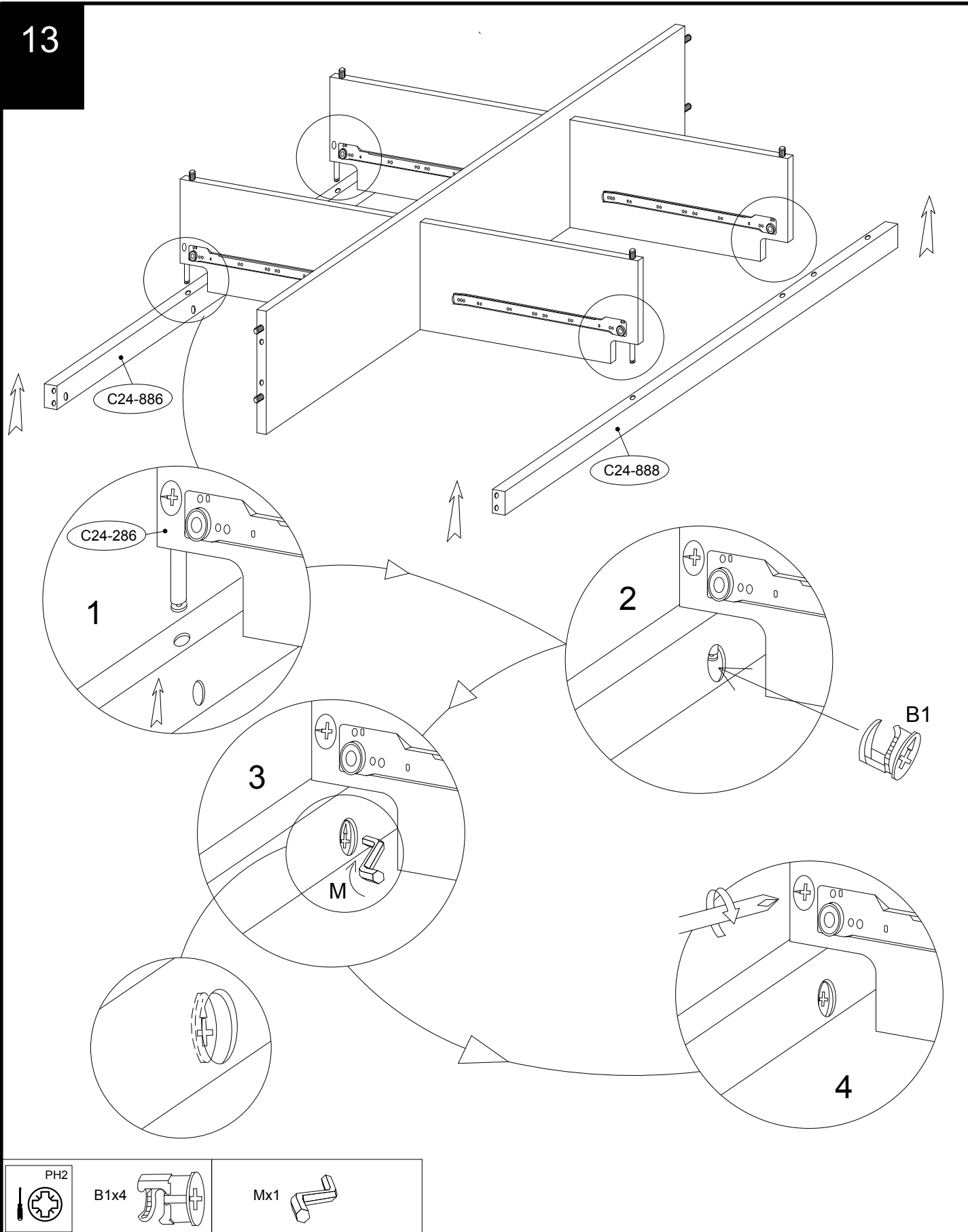
11



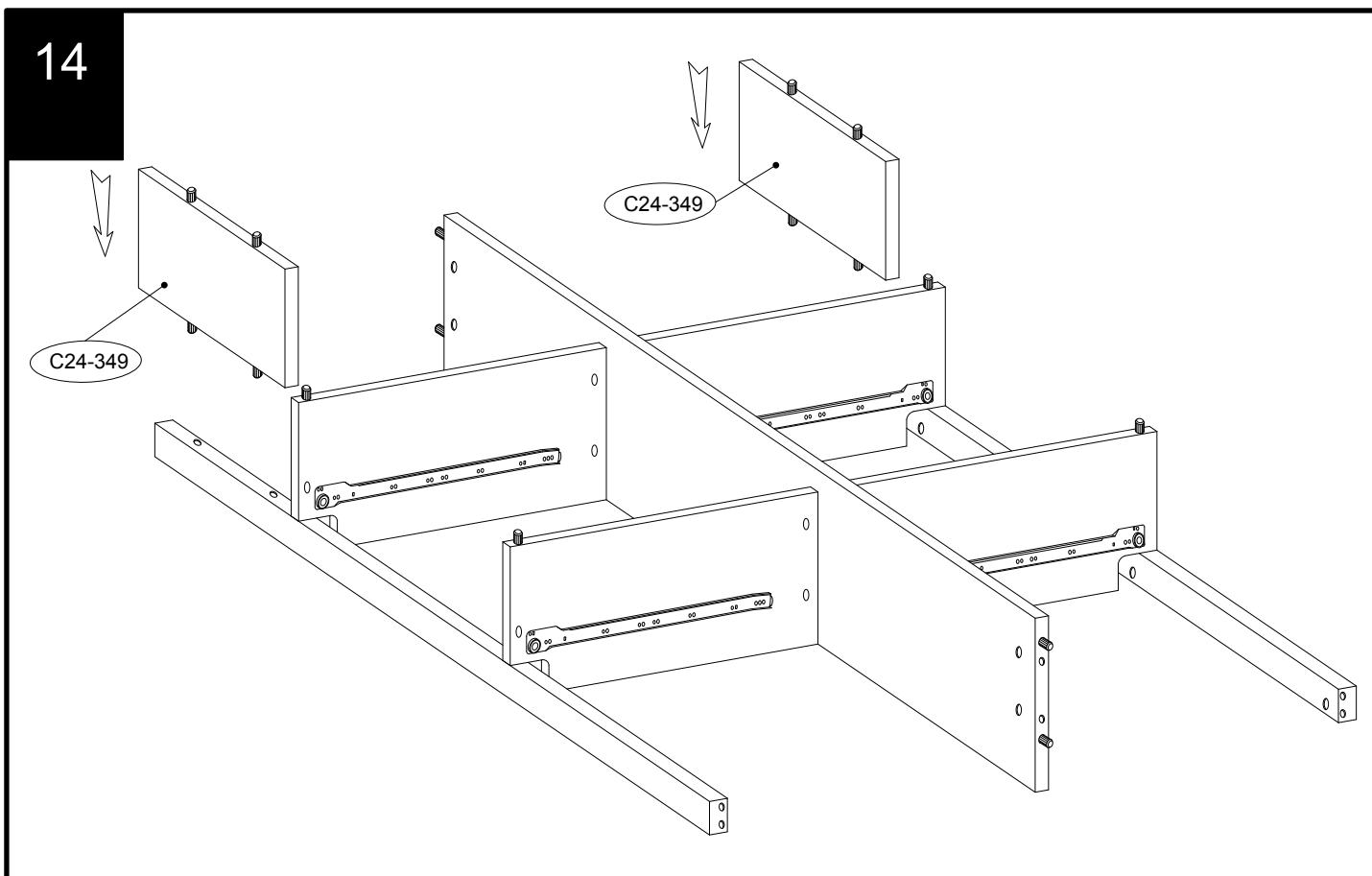
12



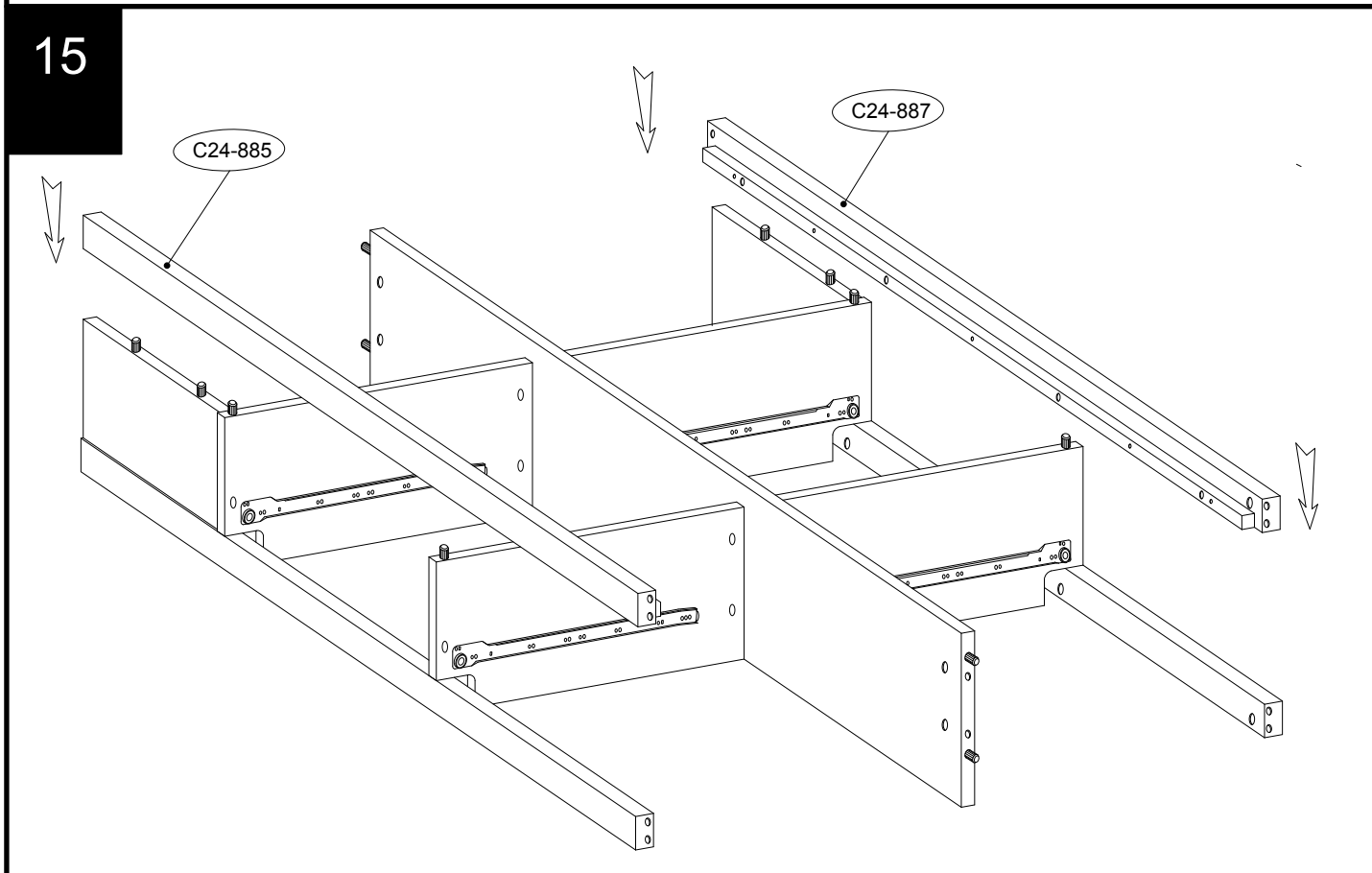
13



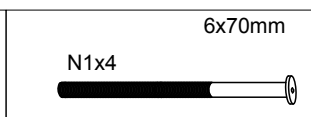
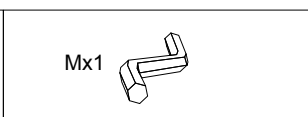
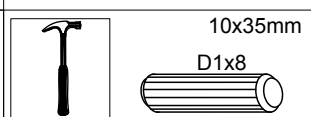
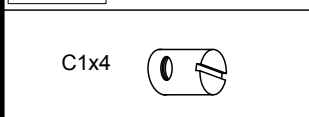
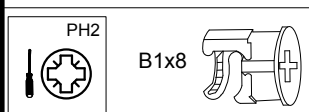
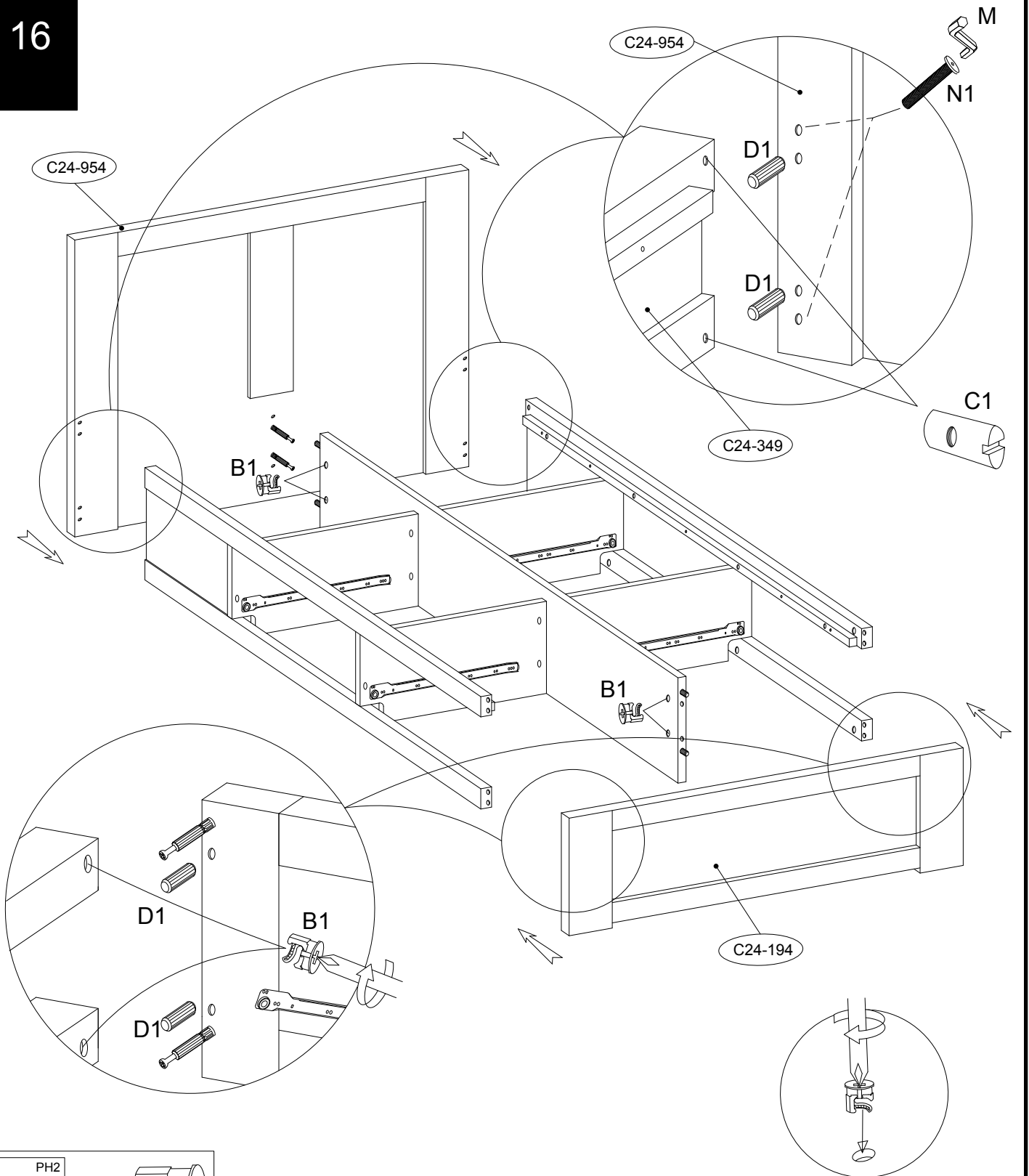
14



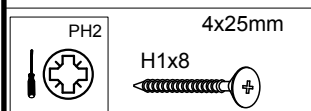
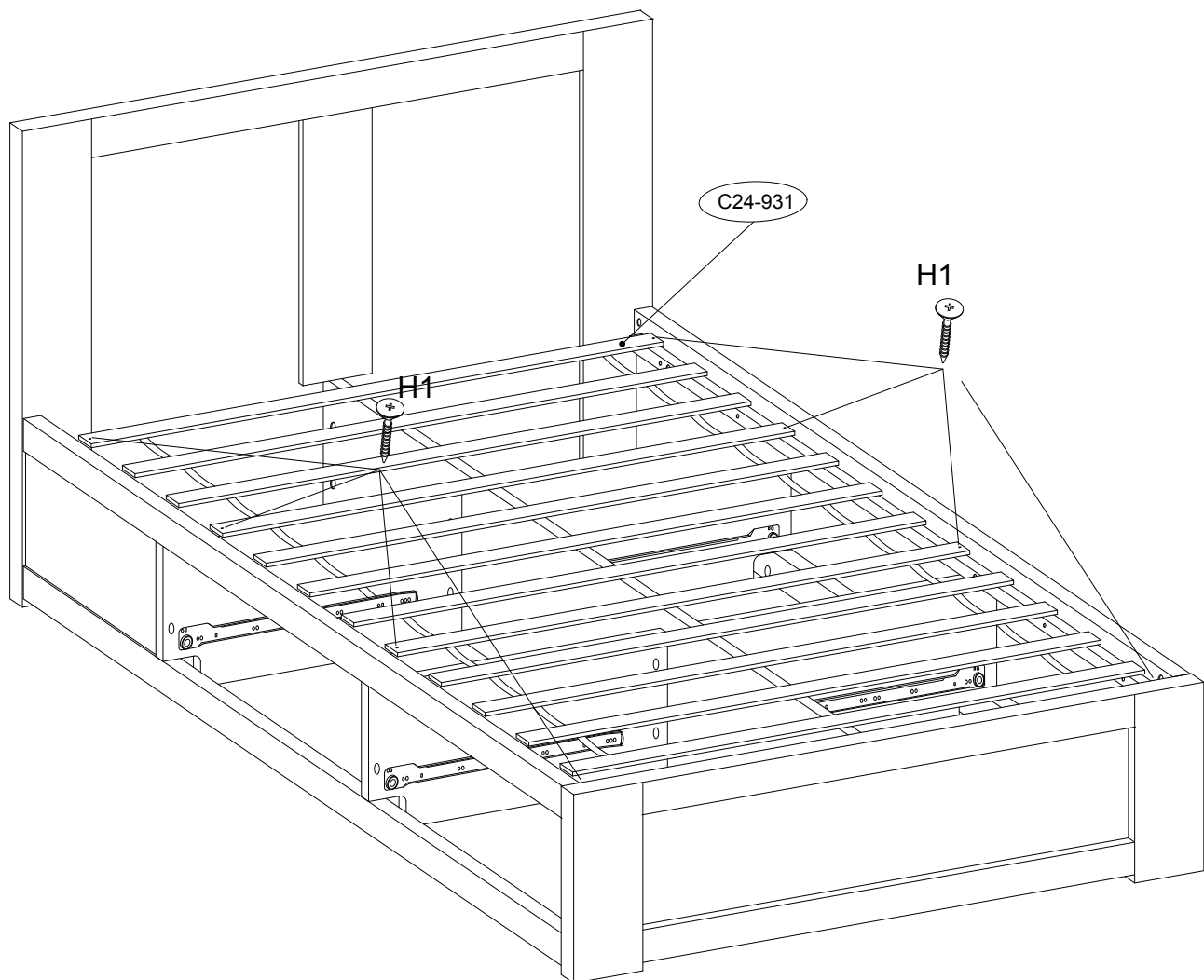
15



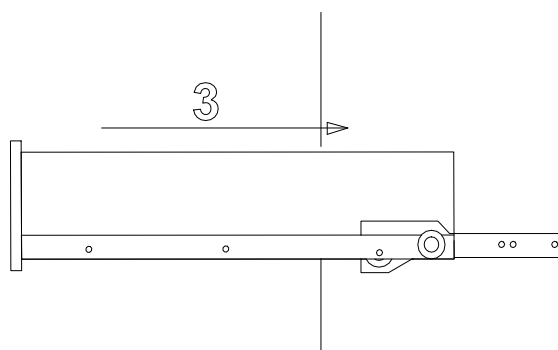
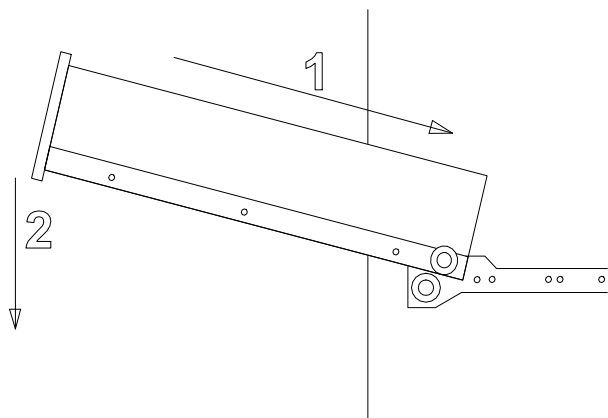
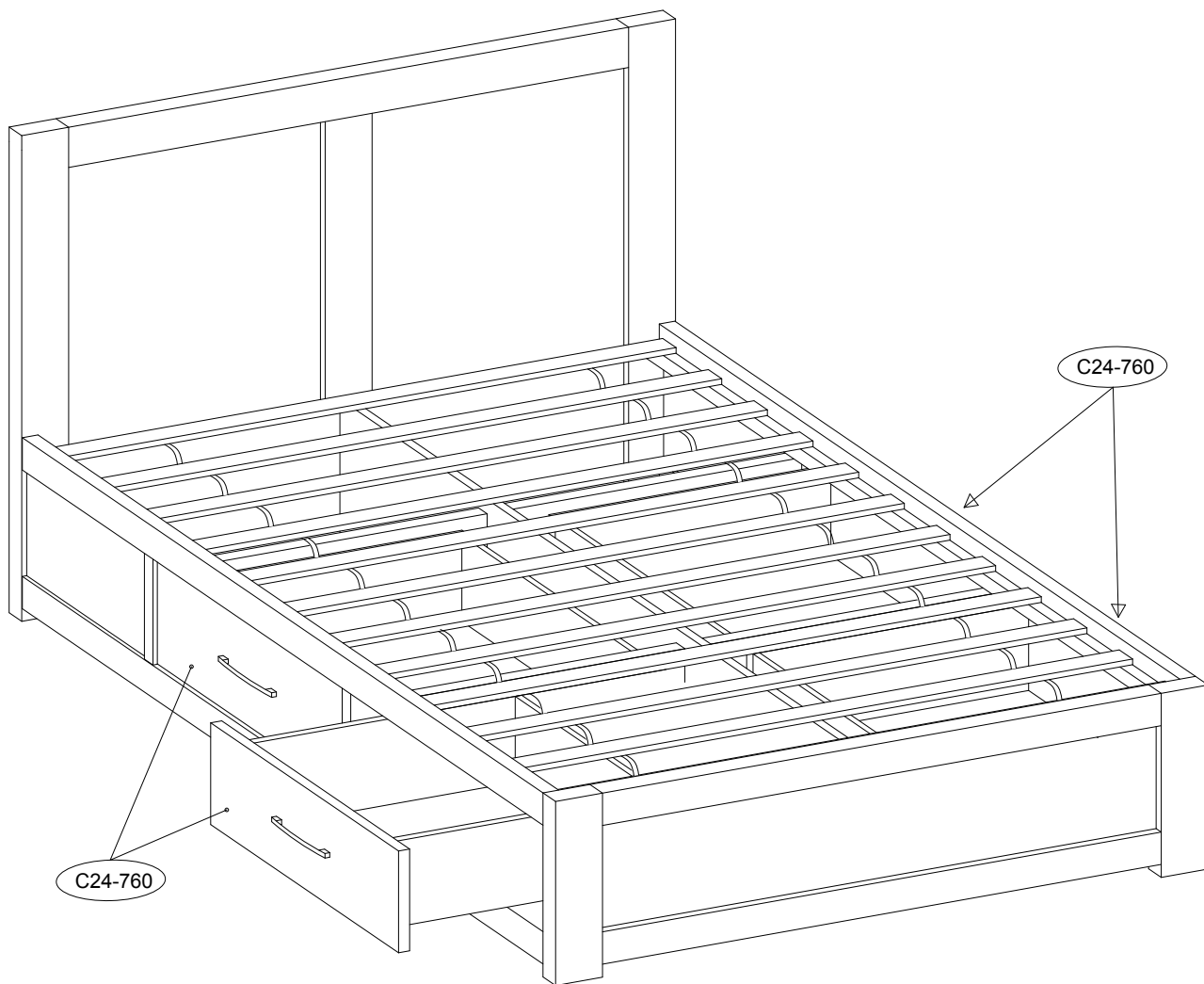
16



17



18



next

WALNUT STORAGE BED-KING

383638-218

Assembly instructions

Actual product size

H112 x W160 x D210cm

