

# BEFORE YOU GET STARTED...

*We're confident you'll love your gorgeous new Next furniture. However, it's worth making absolutely certain before you put it all together.*

*So, let's quickly run through these three steps:*

## 1. COLOUR

Make sure you're happy with the colour  
No need to unpack everything, just check the first component.

## 2. PROTECTIVE PACKAGING

If you're happy, then it's time to get opening! Start by laying everything out on the protective packaging – this will prevent anything getting scratched.

## 3. PARTS PAGE

Finally, double check you have all the pieces by referencing the parts page of the instructions.

## TIPS FOR RETURNS

Not completely happy with the product? No problem. We just need everything back in the original packaging, so follow the steps below and this will ensure a super-smooth returns process and no delay to your refund.

DO



- Check everything is there (the 'parts page' is a handy checklist).
- Pop all the loose fittings and fixtures into the packaging provided or tie them up in a plastic bag.
- Wrap all the big components back up in the original protective packaging.
- Close up the box and seal it securely (don't be afraid to use plenty of tape).

DON'T



- Leave anything assembled - all components should be dismantled and separately packed.
- Put loose fixtures and fittings straight into the box.
- Throw it back in the box carelessly – as it may get damaged.

next  
HOME

Then just give us a call on 0333 777 8999 and we'll sort out a pick up time for you.

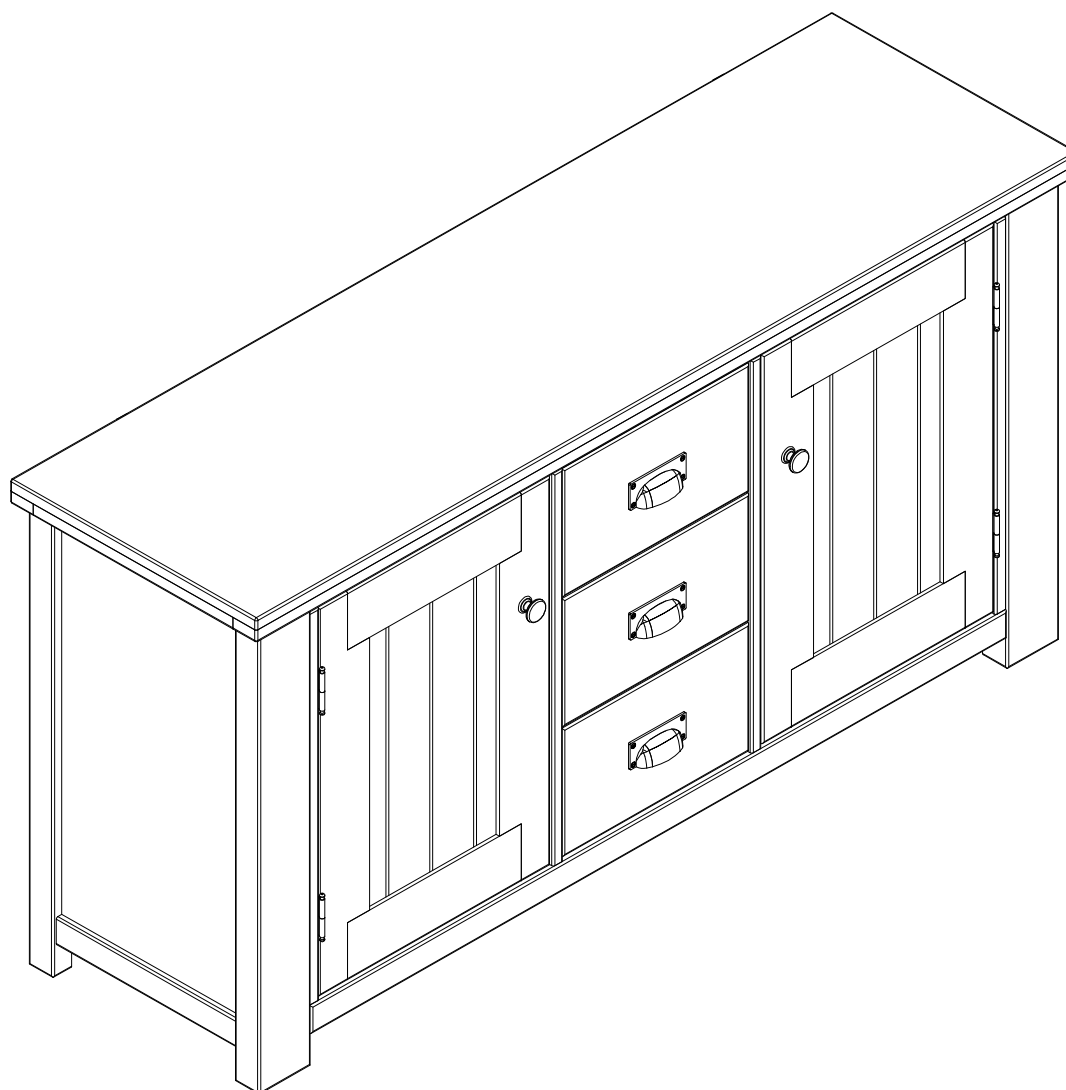
next

# BOSWORTH SIDEBOARD

393831

Assembly instructions

**Actual product size**  
H78 x W150 x D45cm



**IMPORTANT - RETAIN FOR FUTURE REFERENCE**

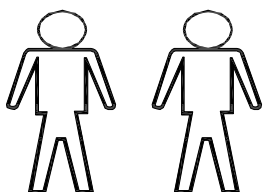
**Need Help?**

With: Assembly instructions  
Missing or damaged parts

**CALL: 0333 777 8999**

## BEFORE YOU START

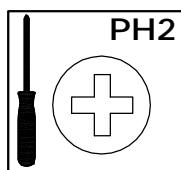
### Number of people required to assemble



### Time to assemble



### Tools required



not supplied

#### Do's

We suggest you spend a short time reading through this leaflet before you start.

We recommend that the packaging is used to protect the surfaces during assembly.

Carefully check that you have all the parts before beginning assembly.

Due to the size of the product we recommend that it is assembled in the room intended for use.

Ensure the product is fully assembled as illustrated and all fixings fully tightened before use.

Wood will mellow and change colour over time, we recommend that ornaments and items placed on the surface are moved regularly for the first few months to prevent uneven mellowing.

#### Don'ts

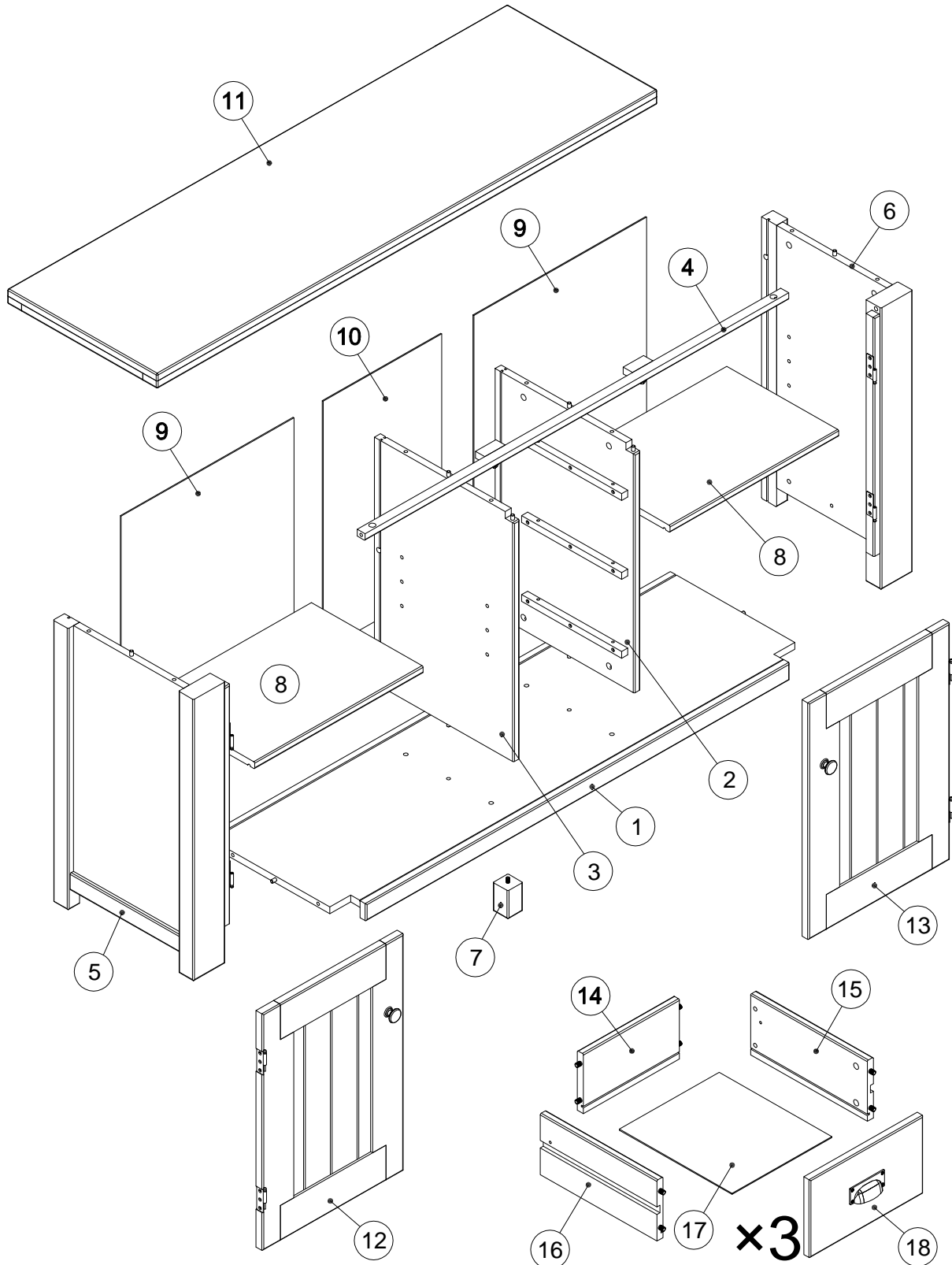
Do not drag or pull your furniture.

Do not use silicone based furniture polish, Silicone in furniture polishes can break down the lacquer finish,

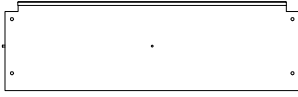

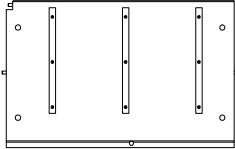
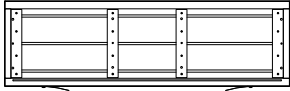
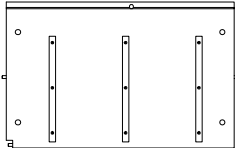
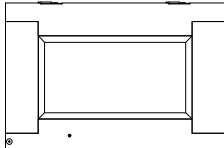

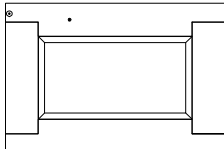
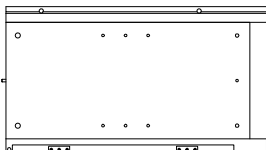

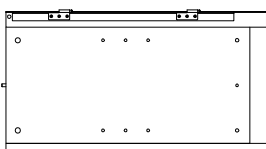

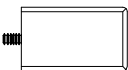




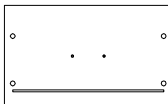
Never allow any kind of liquid to remain on your furniture. Absorption can cause wood to warp or finishes to de-laminate.

Do not place hot items (e.g. hot drinks) directly on to the wood surface. please make sure you use a placemat or coaster.

## GETTING TO KNOW YOUR PRODUCT

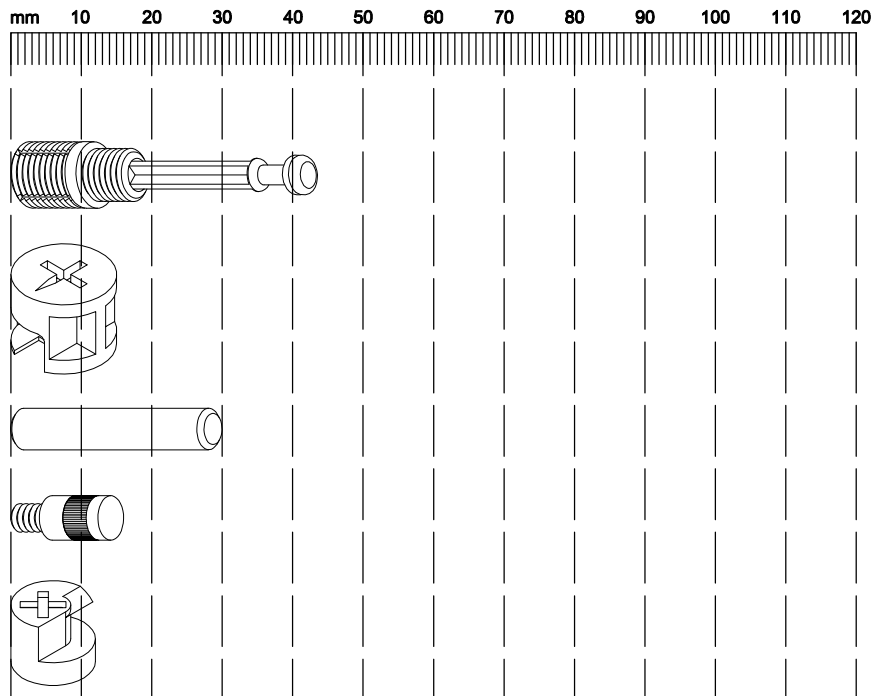


**Components supplied. Please use this guide if you require replacement parts.**

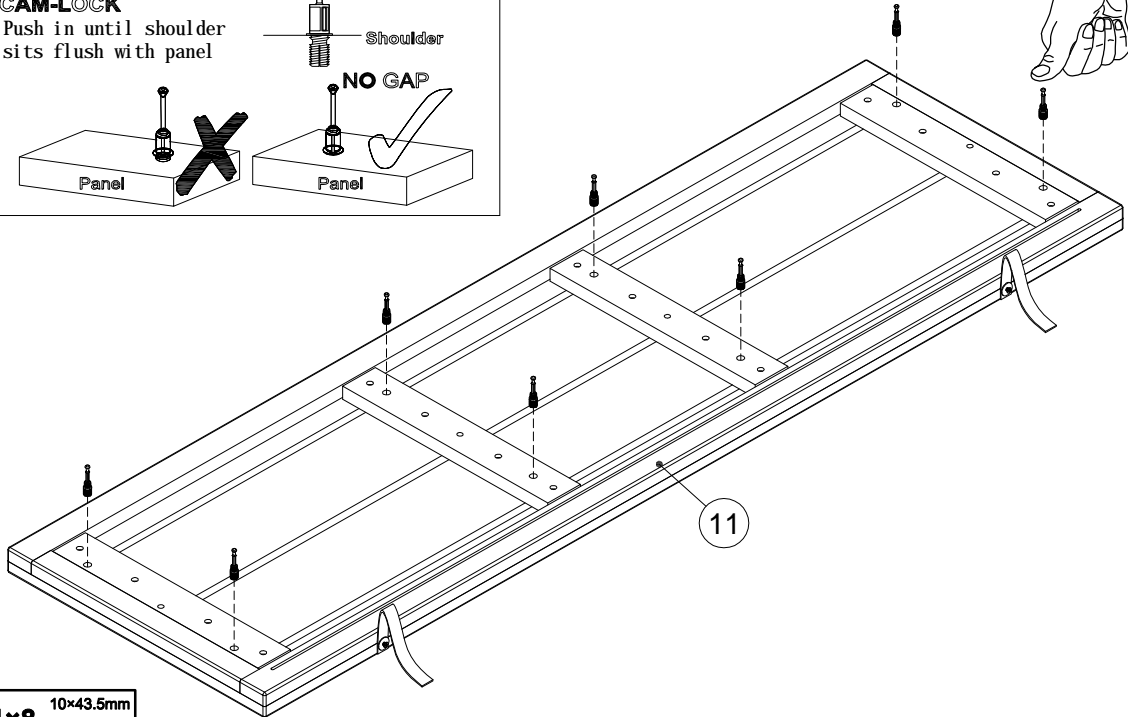
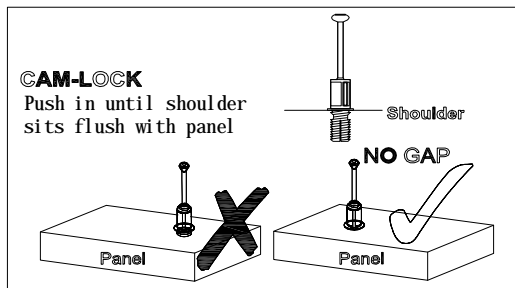
| Ref | Dimensions    | Visual  | Qty | Ctn | Ref | Dimensions    | Visual  | Qty | Ctn  |
|-----|---------------|---|-----|-----|-----|---------------|---|-----|------|
| 1   | 139.4 x 42cm  |    | 1   | 1   | 10  | 65.8 x 35.5cm |    | 1   | 2    |
| 2   | 64.7 x 41.7cm |    | 1   | 2   | 11  | 150 x 45cm    |    | 1   | 1    |
| 3   | 64.7 x 41.7cm |    | 1   | 2   | 12  | 62.3 x 42.3cm |    | 1   | 1    |
| 4   | 127 x 5.2cm   |  | 1   | 1   | 13  | 62.3 x 42.3cm |  | 1   | 1    |
| 5   | 74.2 x 42cm   |  | 1   | 2   | 14  | 28.8 x 15.7cm |  | 3   | 1or2 |
| 6   | 74.2 x 42cm   |  | 1   | 2   | 15  | 35 x 16cm     |  | 3   | 1or2 |
| 7   | 7.5 x 4.5cm   |  | 1   | 1   | 16  | 35 x 16cm     |  | 3   | 1    |
| 8   | 50.5 x 33.5cm |  | 2   | 1   | 17  | 33.8 x 29.9cm |  | 3   | 2    |
| 9   | 65.8 x 51.8cm |  | 2   | 2   | 18  | 34 x 20.5cm   |  | 3   | 2    |

**Fixtures and fittings  
supplied (actual size)**

| Ref | Dimensions | Qty | Spare |
|-----|------------|-----|-------|
| 101 | 10×43.5mm  | 18  | 2     |
| 201 | 15×12mm    | 42  | 2     |
| 301 | 6×30mm     | 12  | 2     |
| 401 | 6×16mm     | 8   | 1     |
| 501 | 12×10mm    | 8   | 1     |

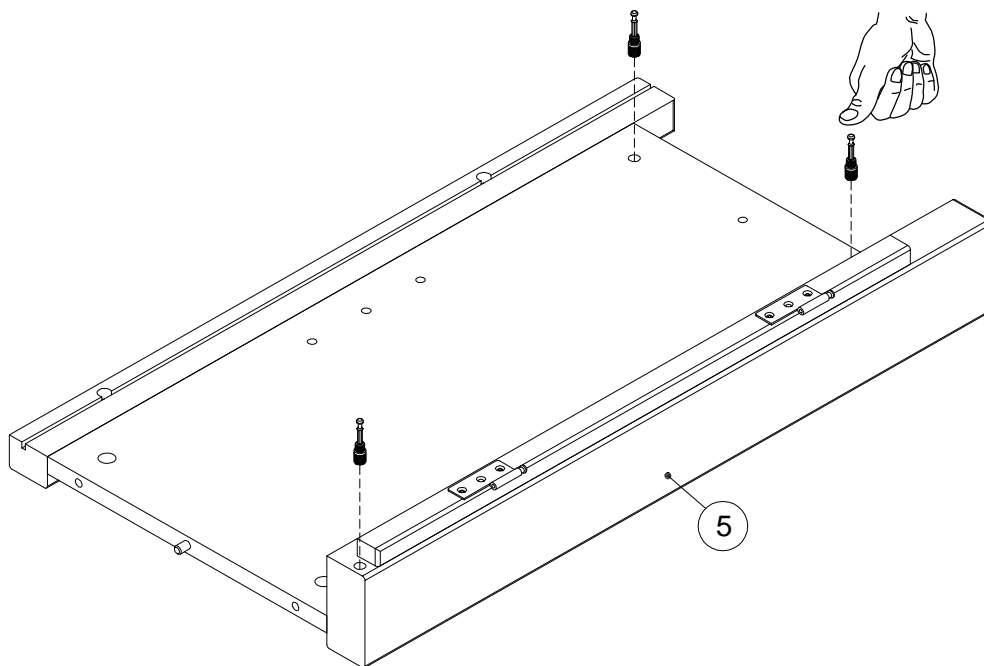


1



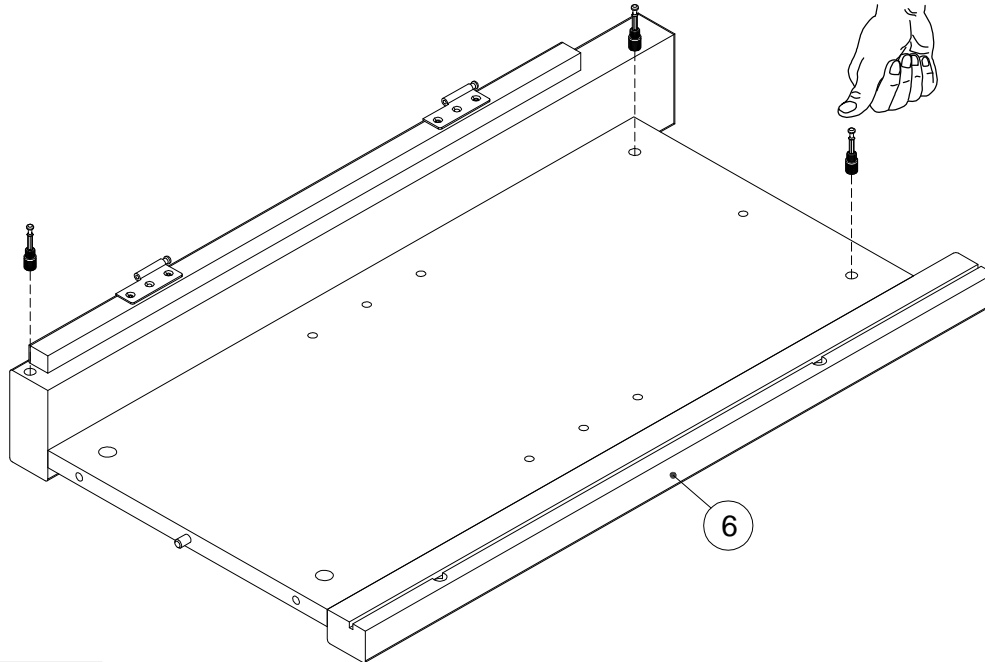
**101×8** 10×43.5mm

2

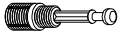


**101×3** 10×43.5mm

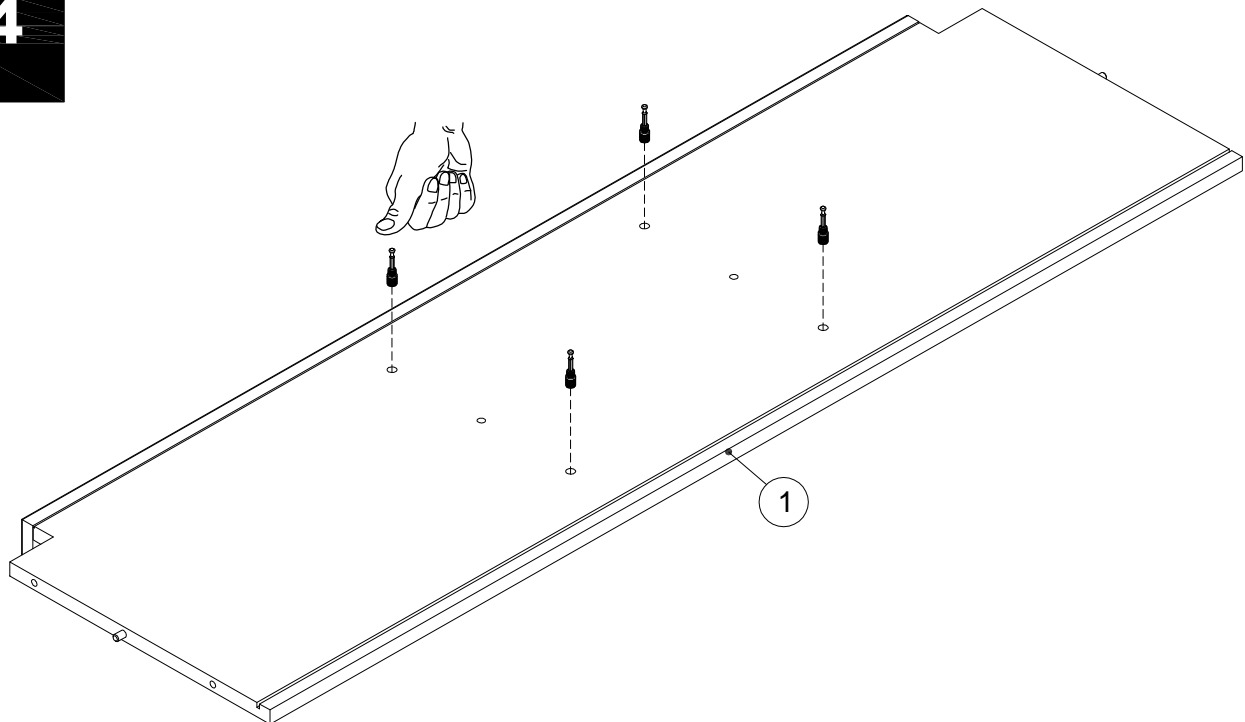
3



**101×3** 10×43.5mm



4

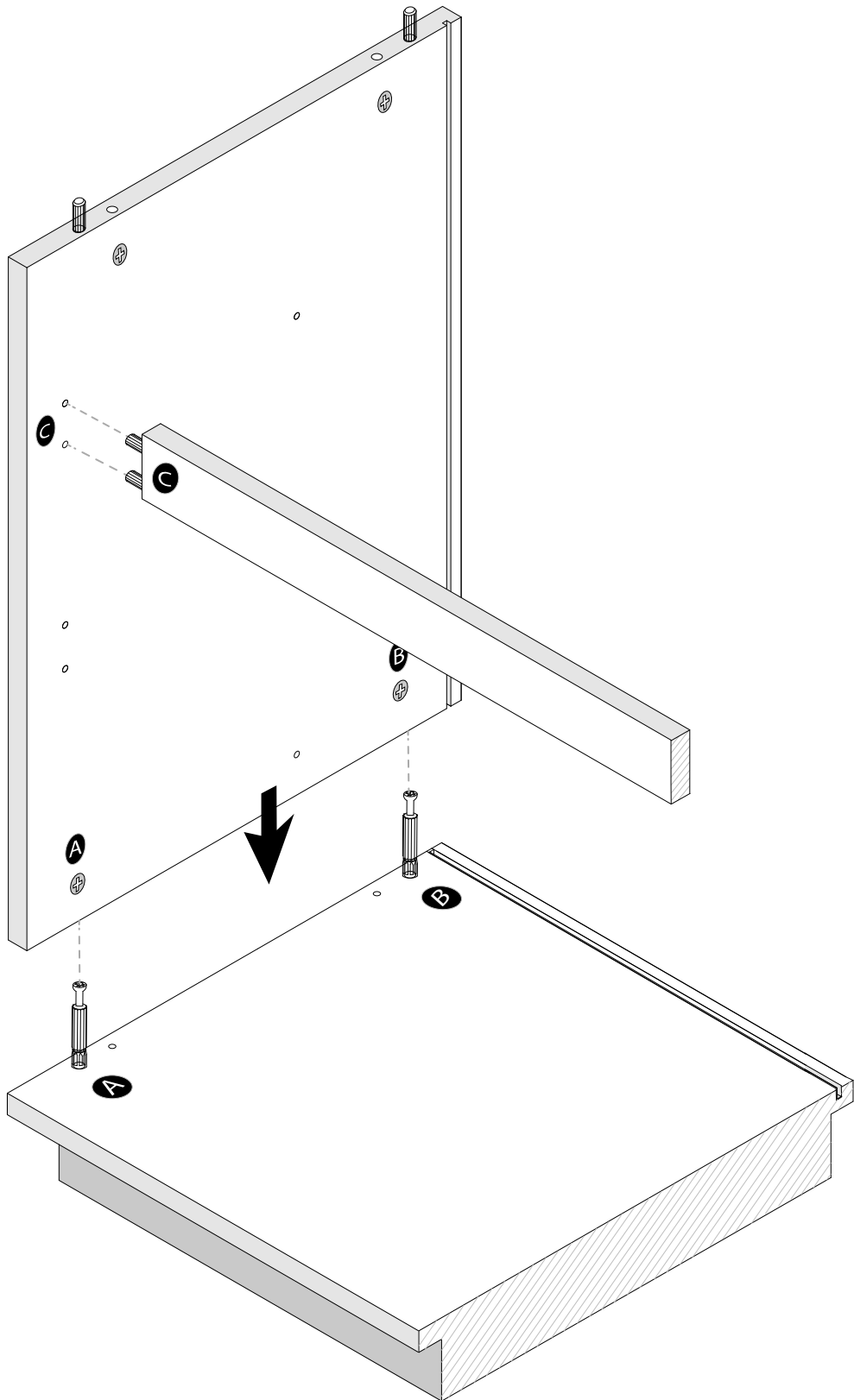


**101×4** 10×43.5mm

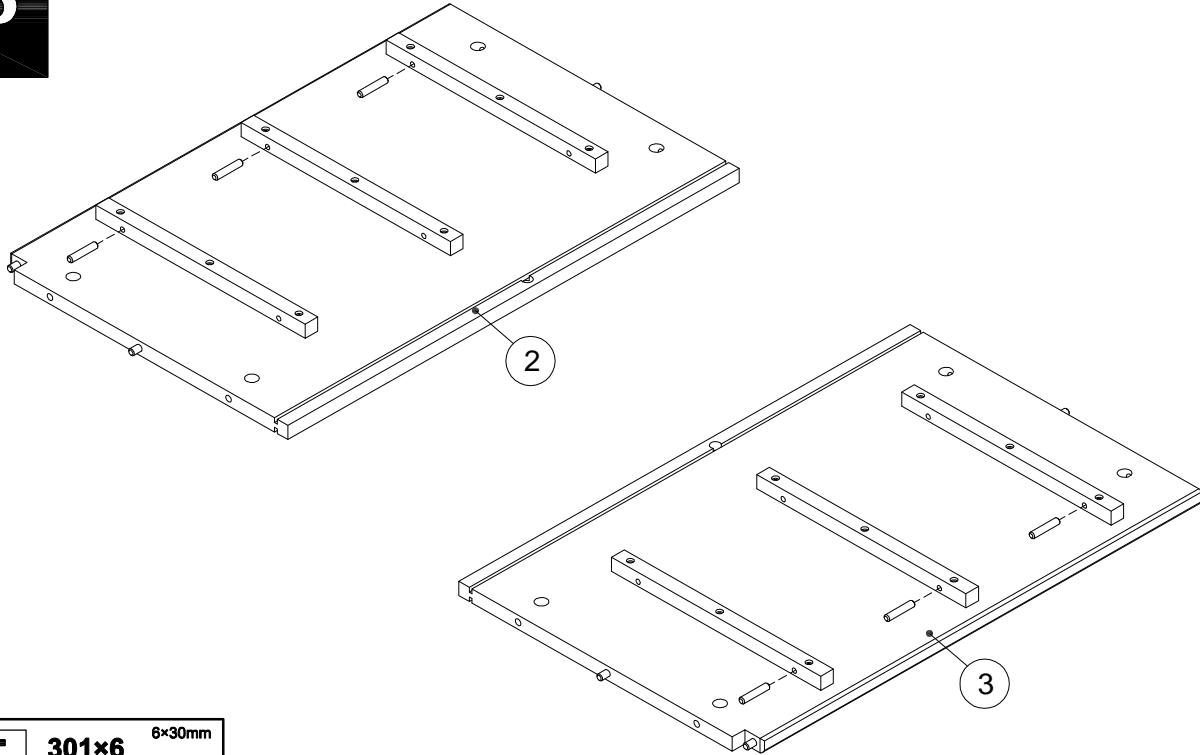




TO ASSEMBLE THE PRODUCT PLEASE MATCH THE LETTERS ON THE COMPONENTS AS SHOWN IN THE DIAGRAM BELOW

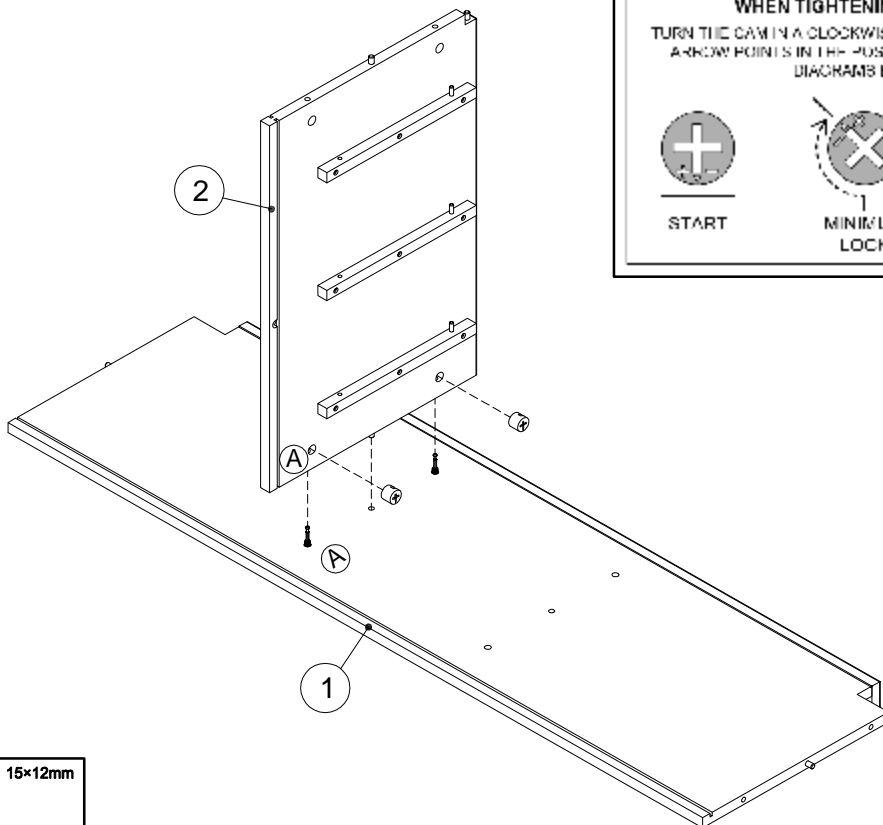


5



301x6 6x30mm

6



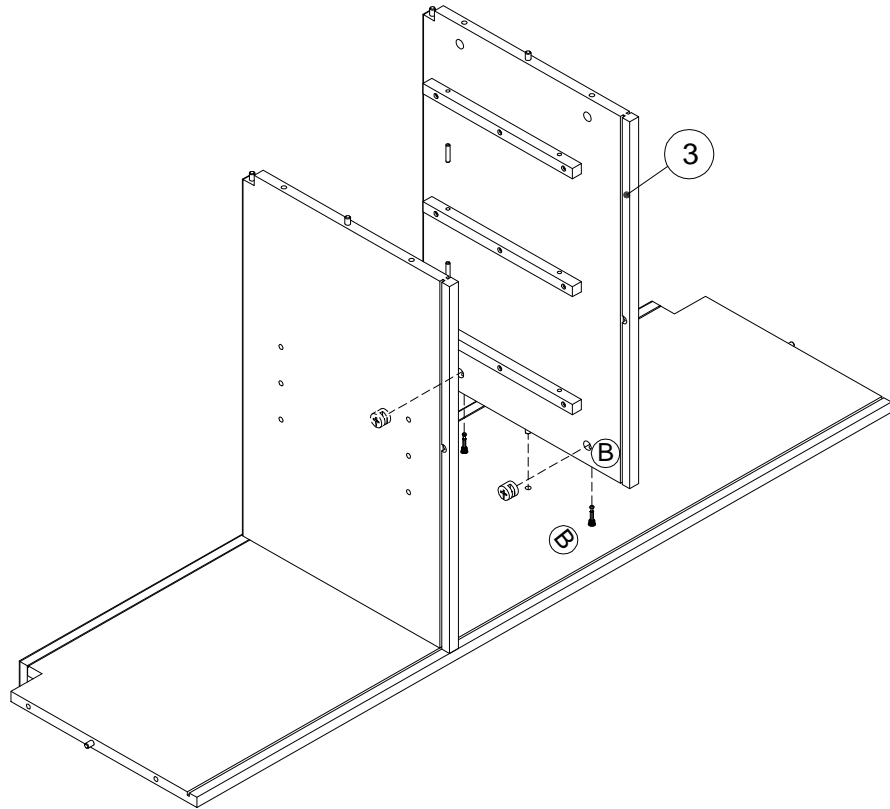
**WHEN TIGHTENING THE CAM**  
 TURN THE CAM IN A CLOCKWISE DIRECTION UNTIL THE  
 ARROW POINTS IN THE POSITIONS SHOWN IN THE  
 DIAGRAMS BELOW

START      MINIMUM LOCK      MAXIMUM LOCK



201 x2 15x12mm

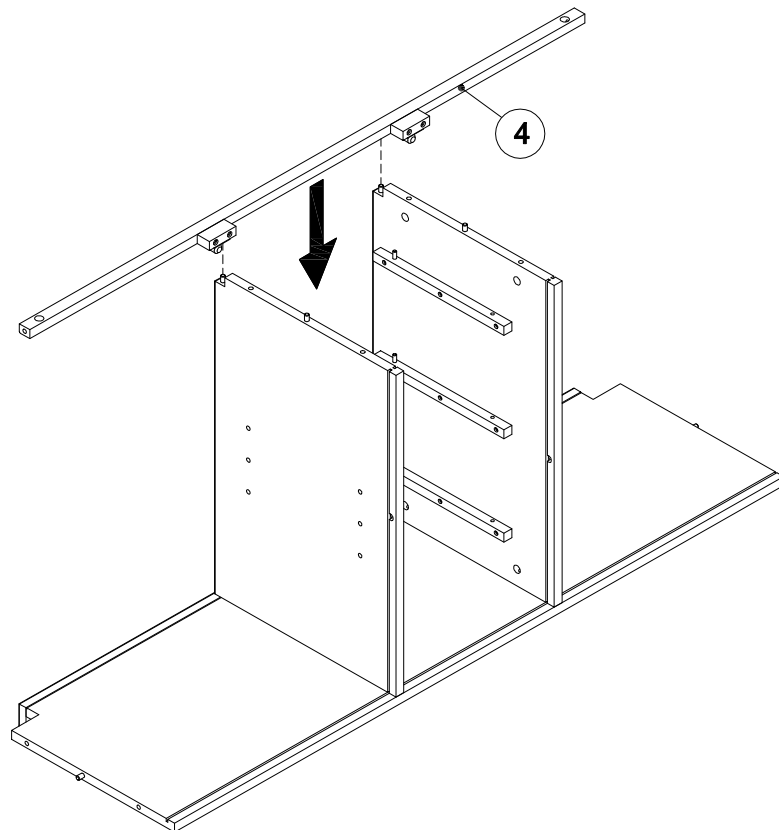
7



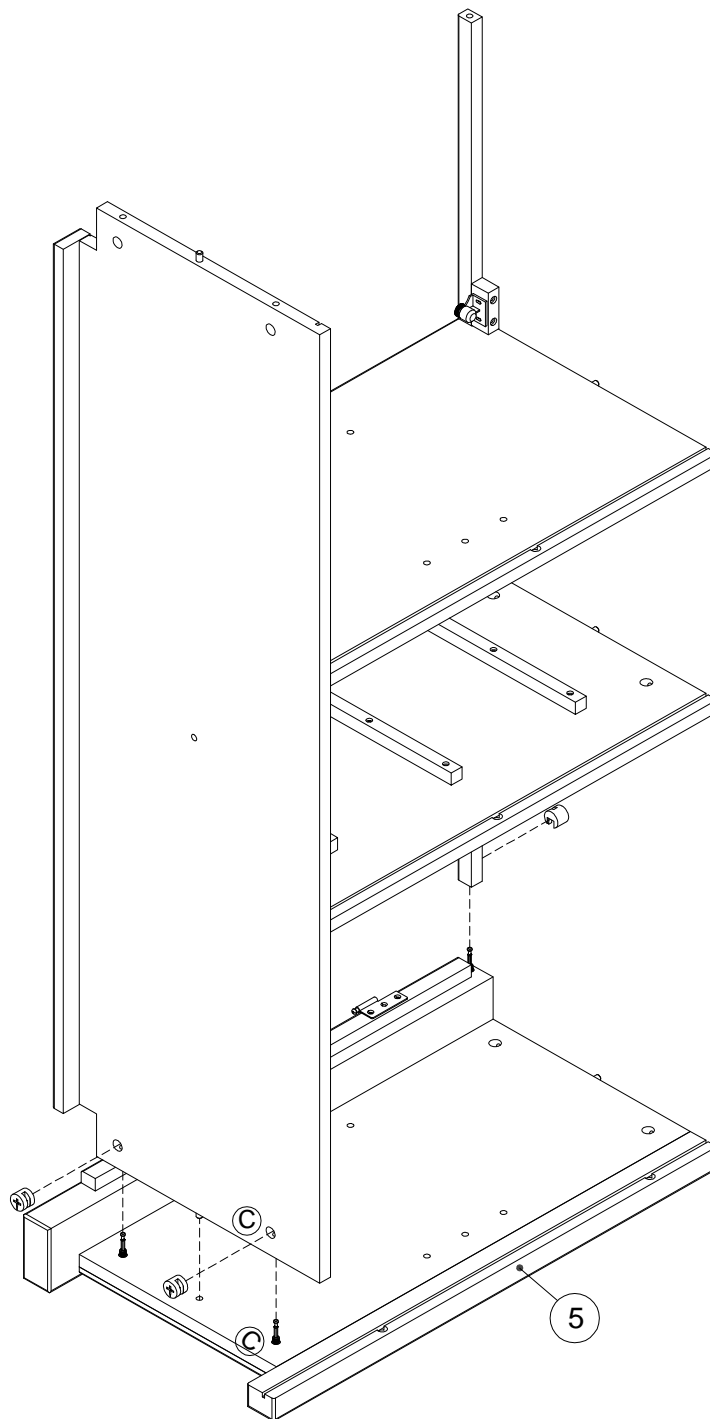
201 x 2 15x12mm



8

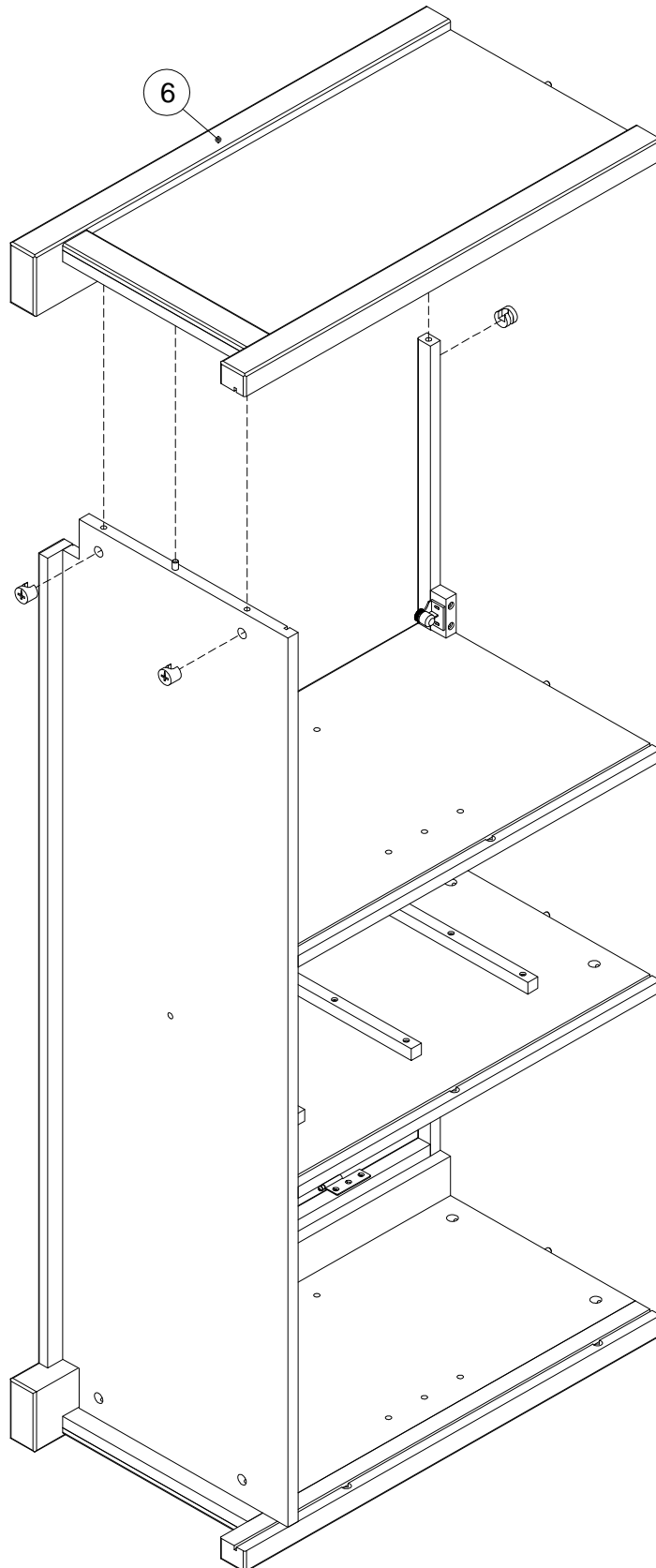


9



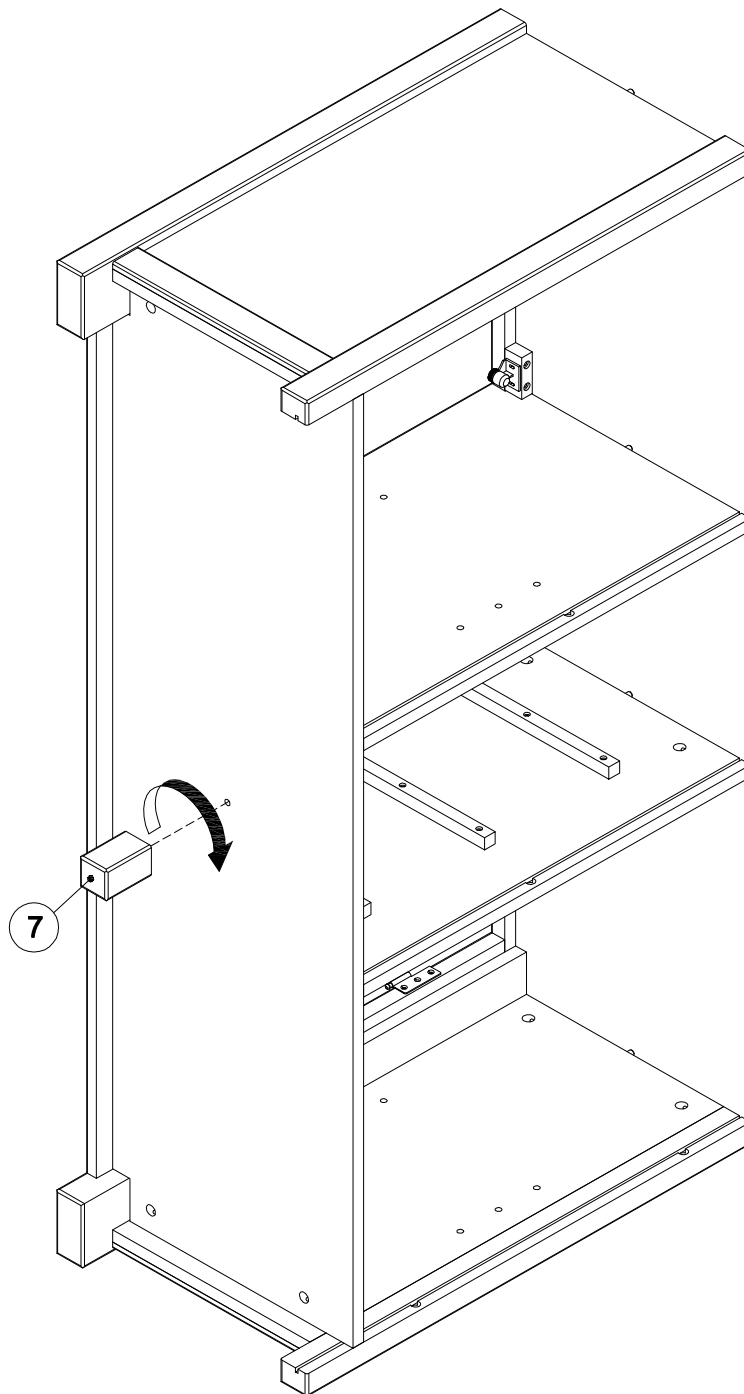
|   |               |         |
|---|---------------|---------|
|  | <b>201 x3</b> | 15x12mm |
|  |               |         |

10

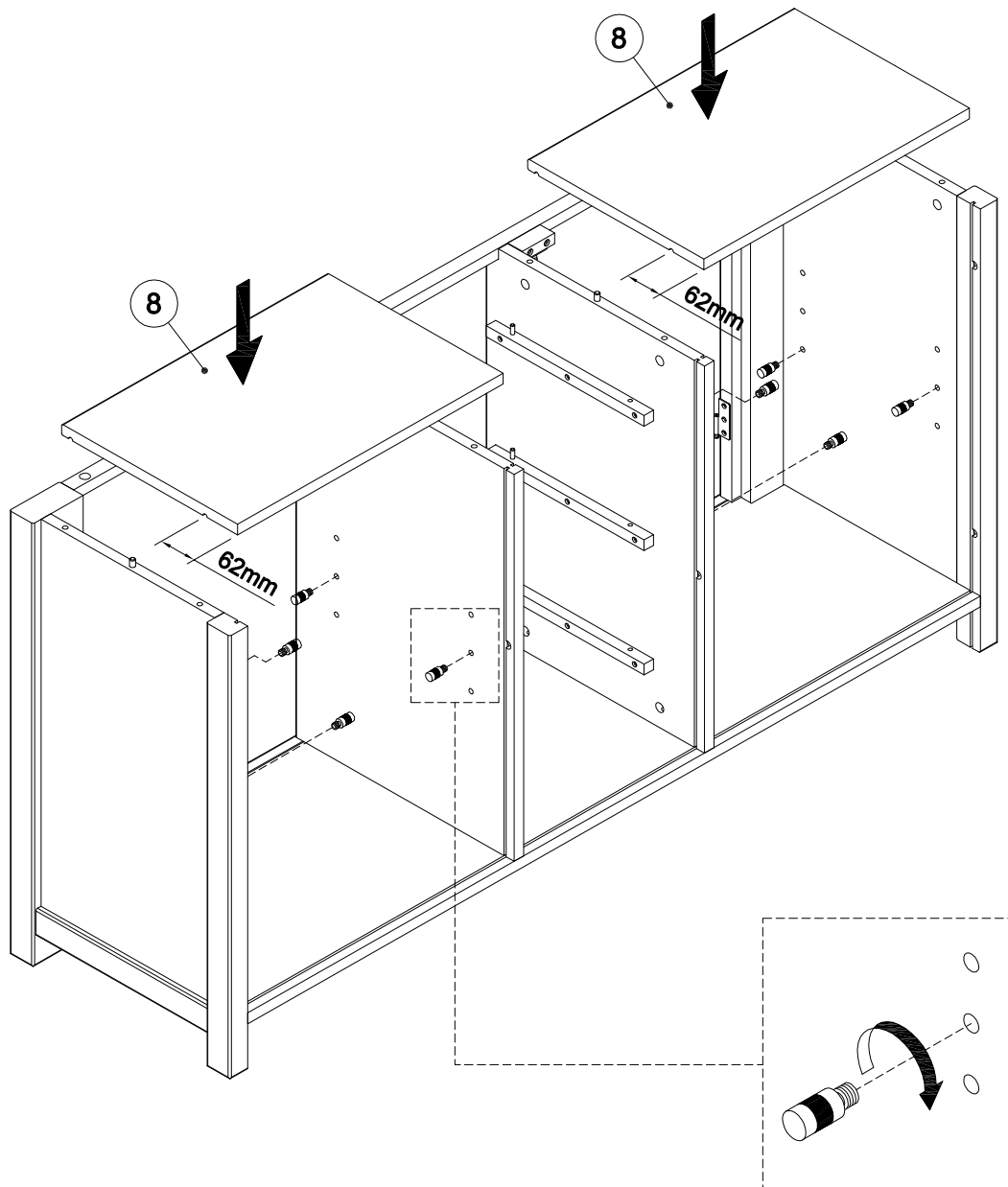


 **201 x3** 15x12mm  
 not supplied  


11



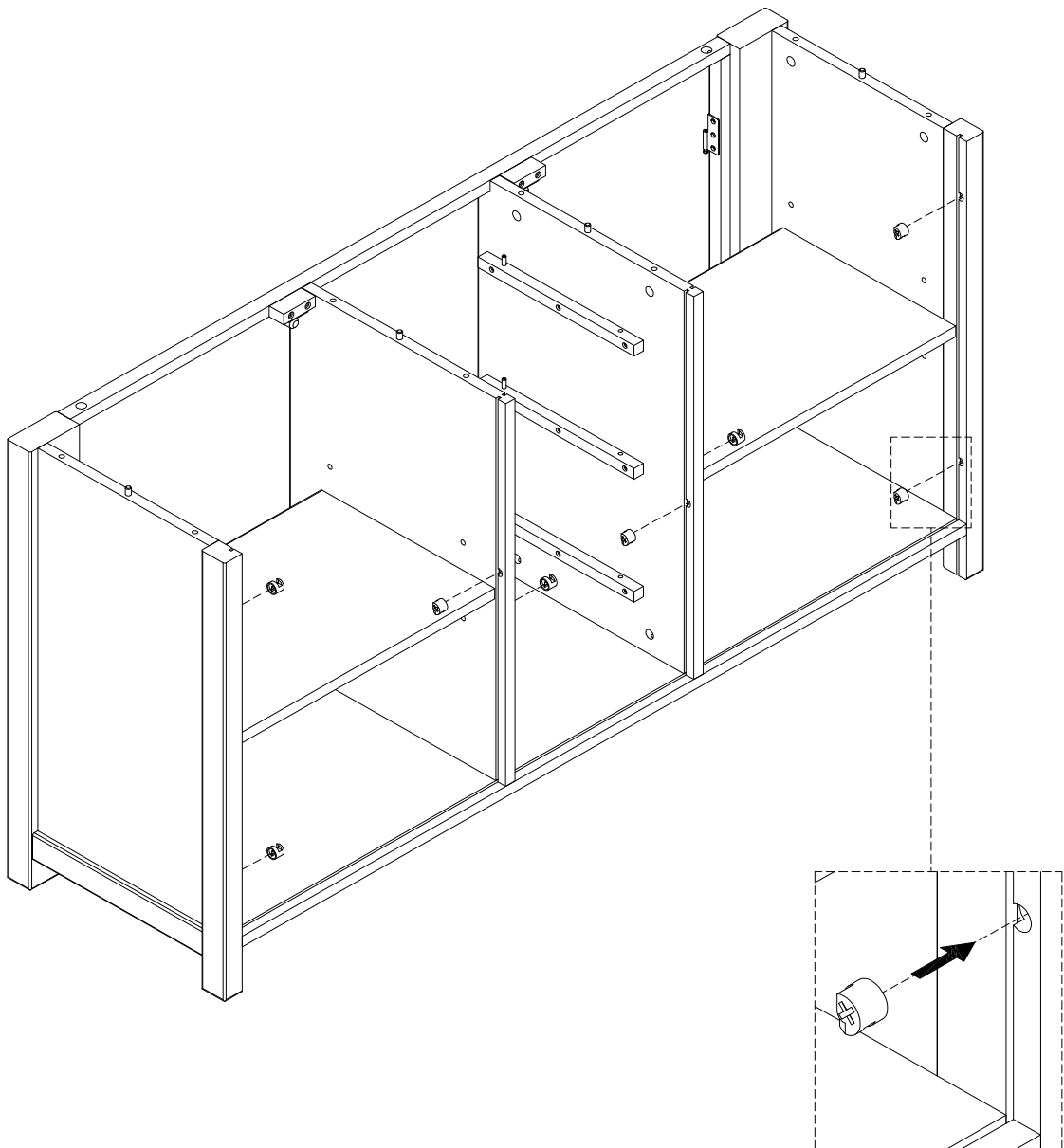
12




401 x 8 6x16mm



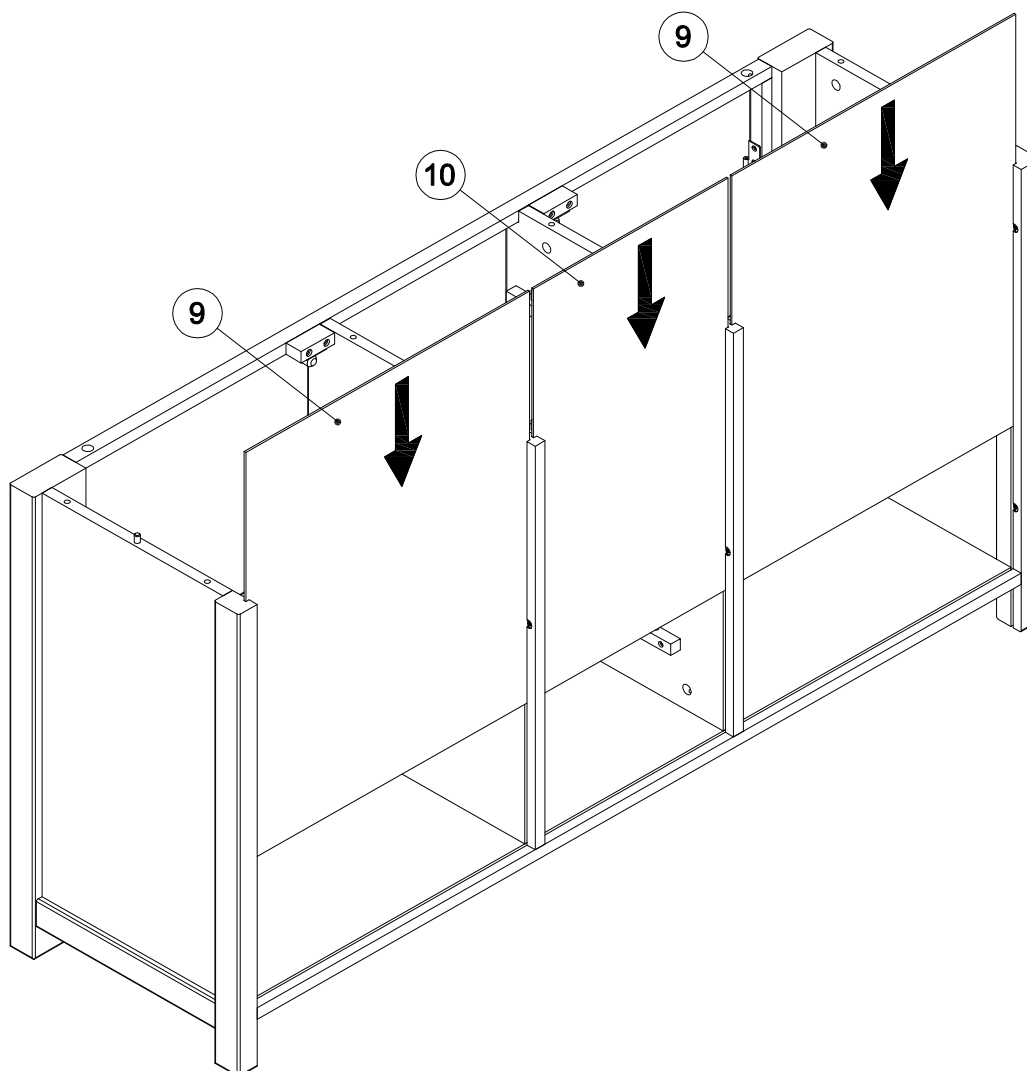
13



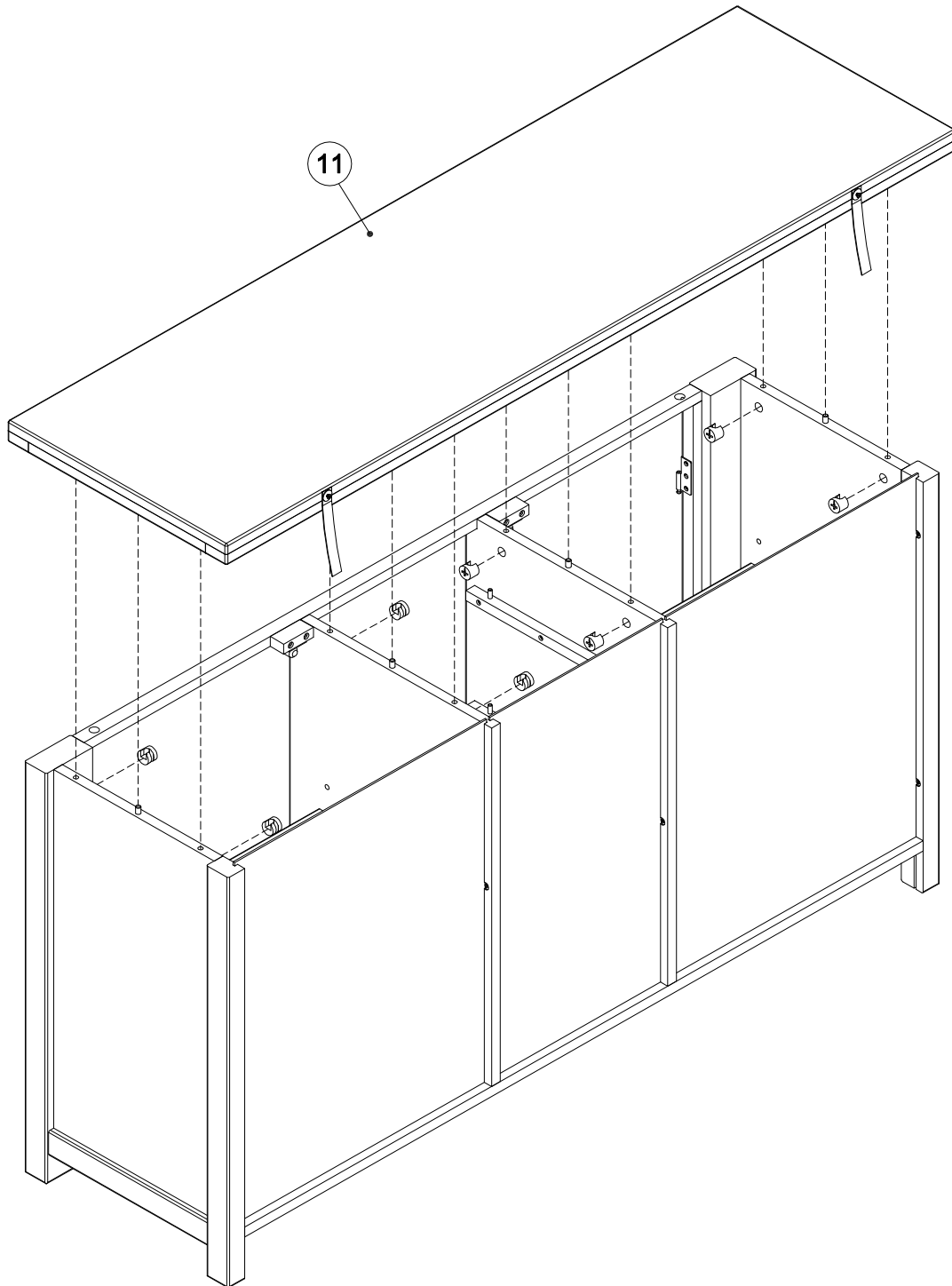
|   |   |         |
|---|---|---------|
|  | <b>501 x8</b>   | 12x10mm |
| not supplied  |  |         |



14

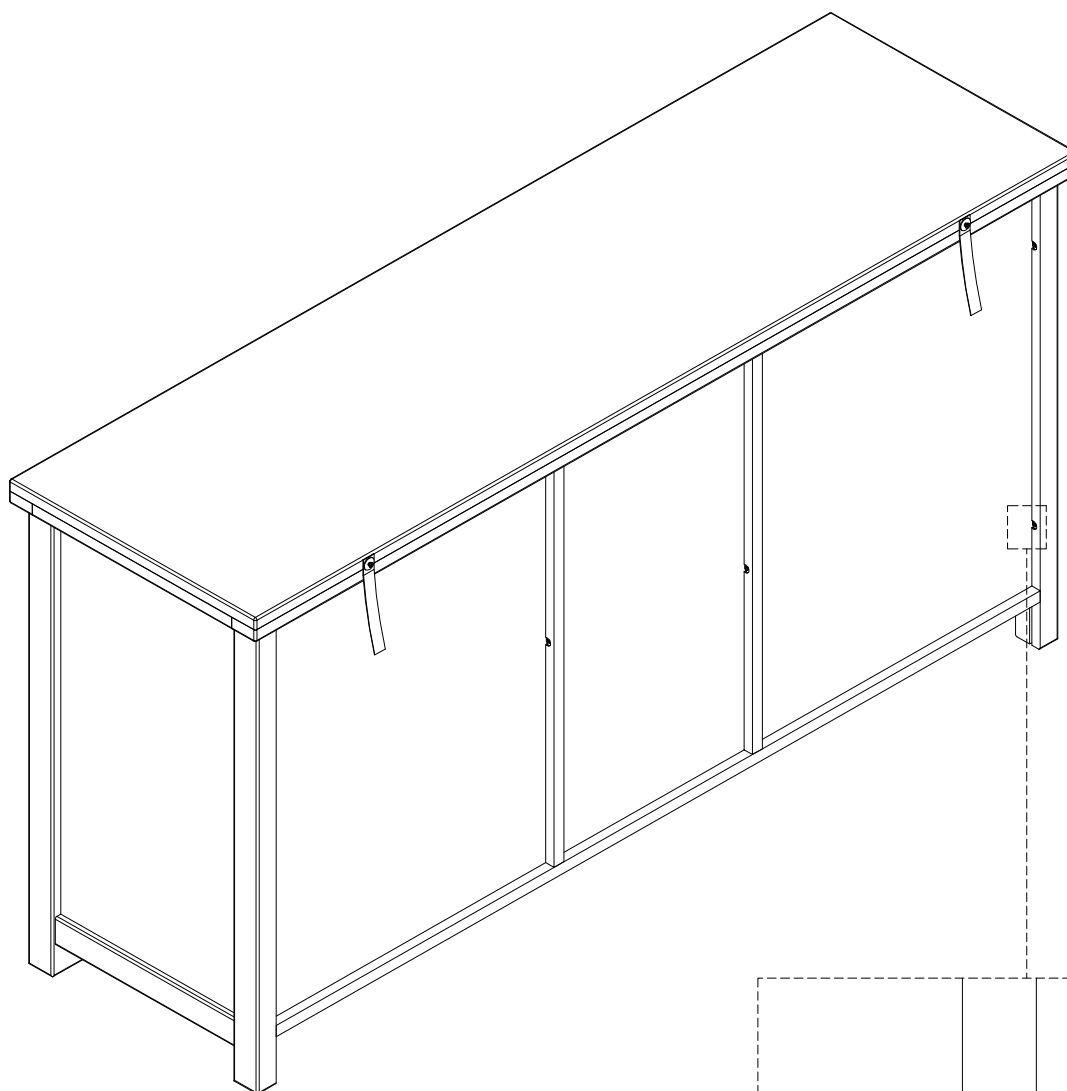


15

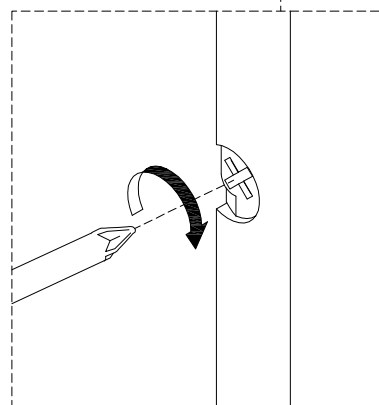


PH2 201 x 8 15x12mm  
not supplied

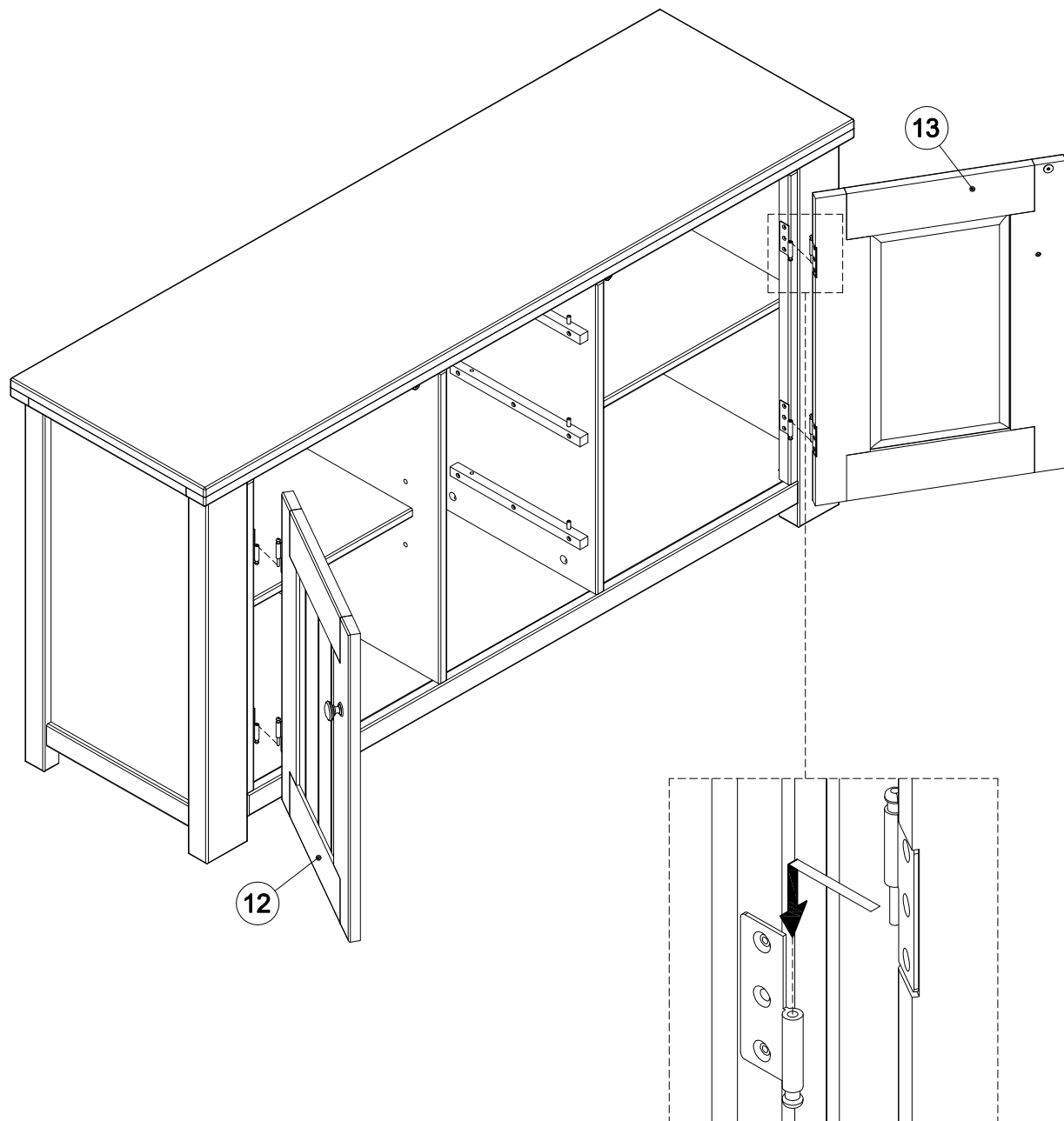
16



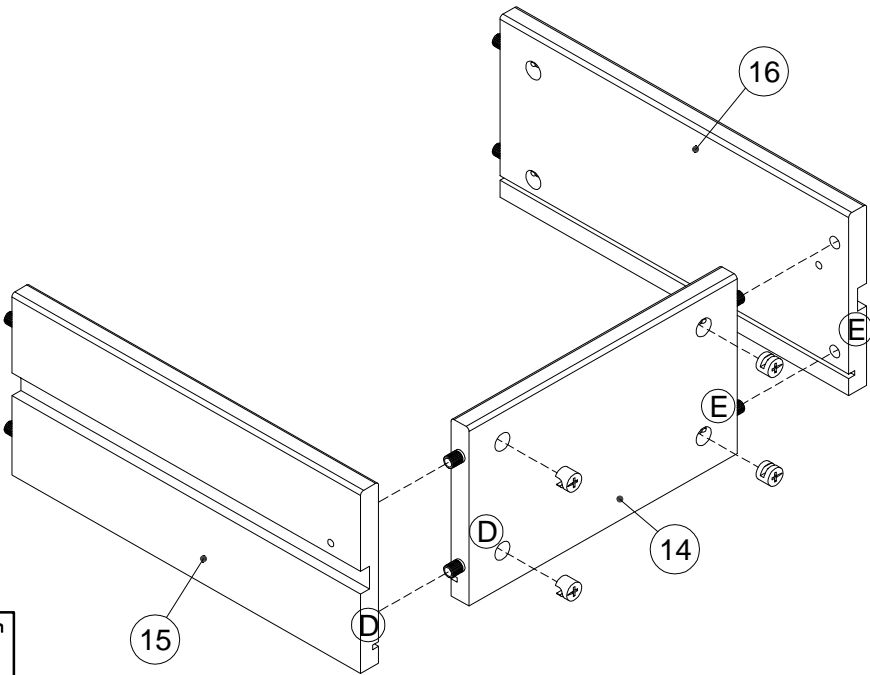
Please turn the cam lock clockwise to fasten the backboard.



17



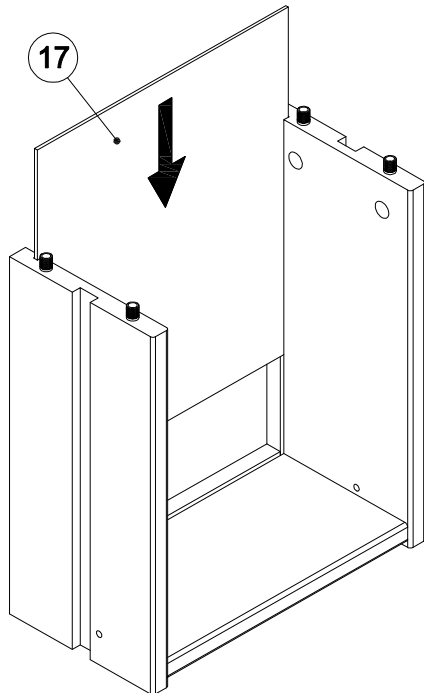
18



X3

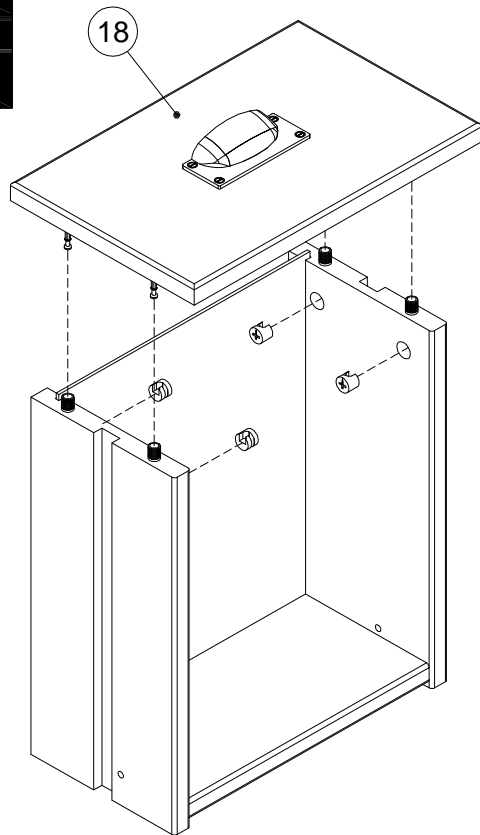


19



X3

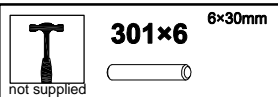
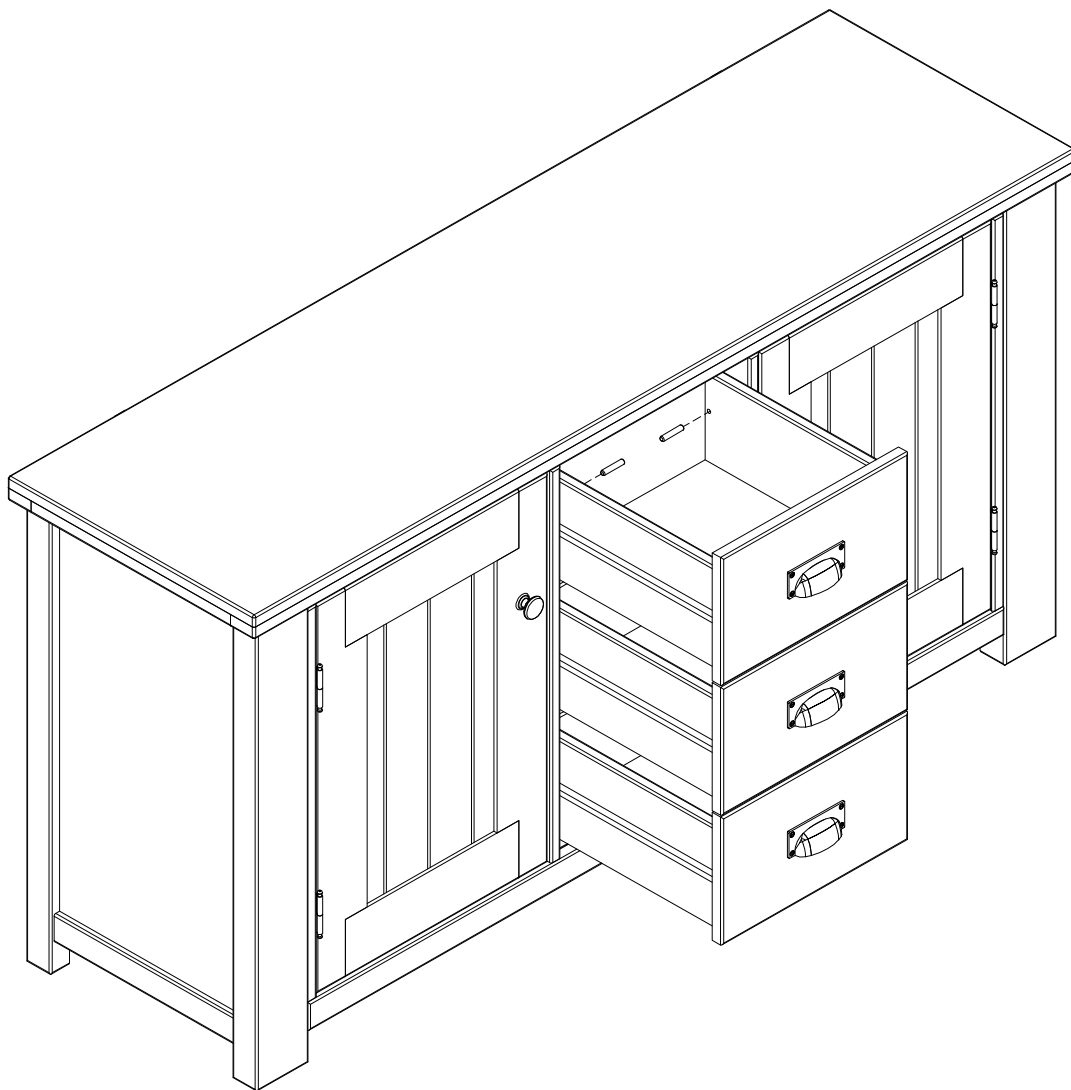
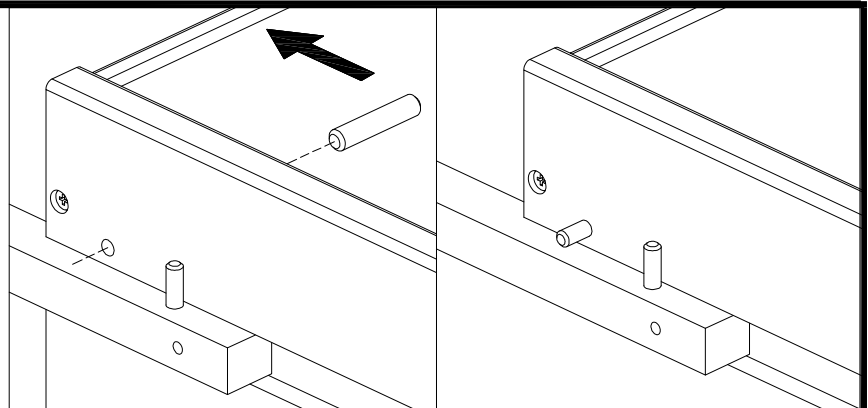
20



X3



21





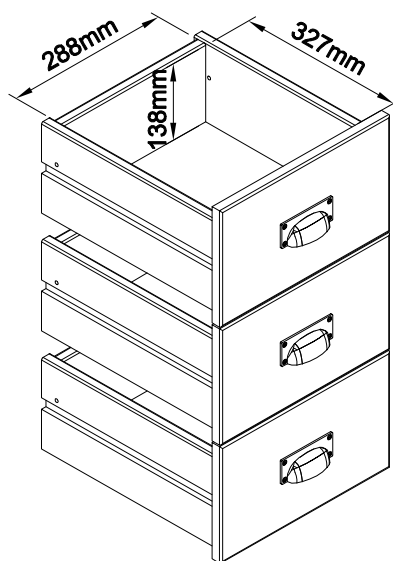
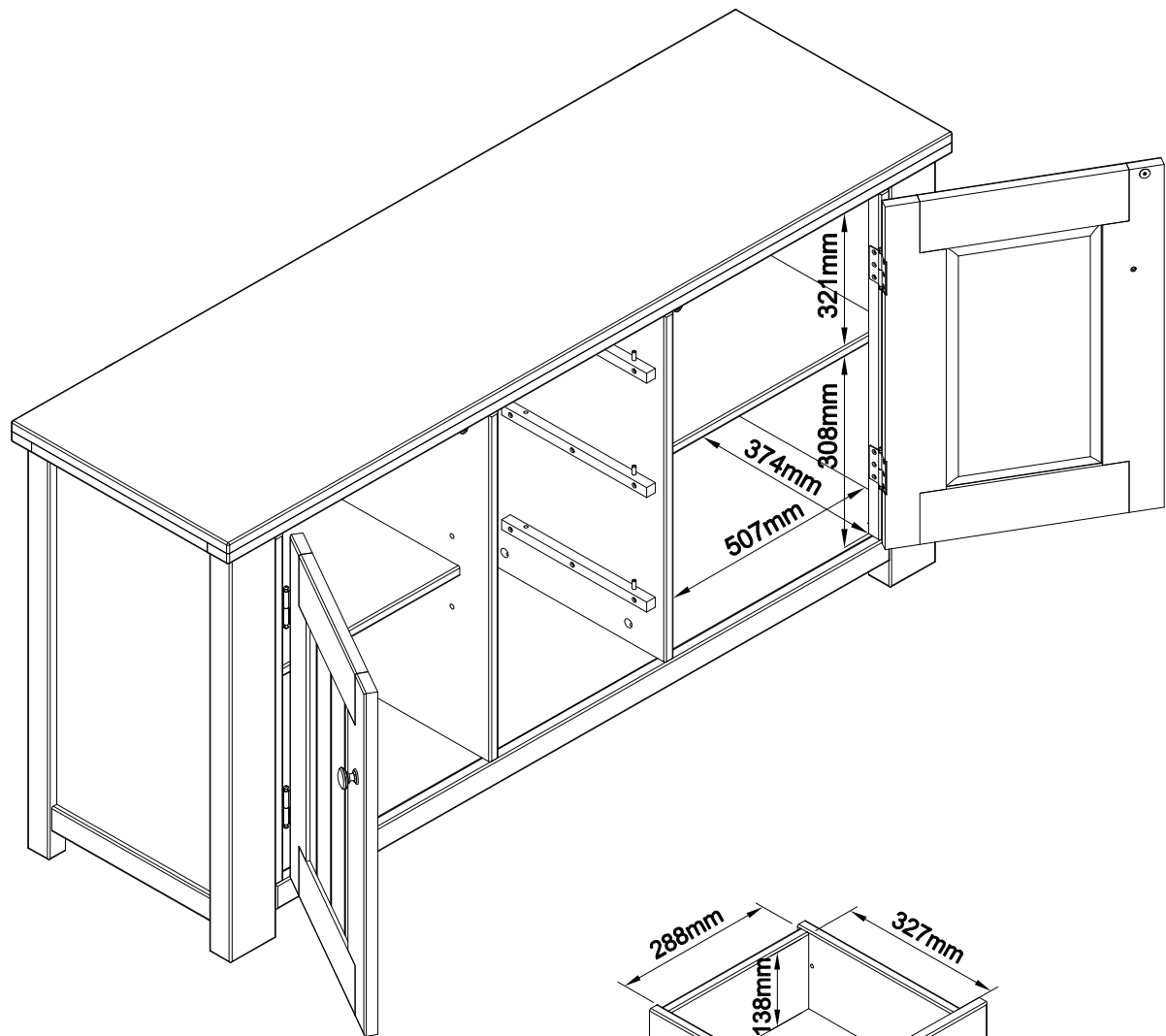
1. Move the item into position and attach the end of the strap to the wall with the appropriate screw, washer and wall plug for your wall type .
2. **WARNING:** Always ensure the area to be drilled is free from hidden electrical wires, water and gas pipes.
3. **NOTE:** Wall fixings are not included , please source suitable fixings for your wall type, if in doubt, please consult a qualified tradesman.

Wall

next

# BOSWORTH SIDEBOARD

393831





next

# BOSWORTH SIDEBOARD

393831

## Assembly instructions

### Warnings

We suggest you retain these instructions for future reference.

Keep fittings out of children's reach and keep children well away from the construction area.

This product should only be used on firm, level ground.

Please periodically check all fittings and re-tighten as necessary.

Please do not sit or stand on your furniture.

Avoid exposing the furniture to excessive heat or direct sunlight as this can cause deterioration of the colour.

Unwrap all packaging materials and place the components on top of the carton box or on a clean floor to protect it from damage.

### Missing parts

If you are missing any fixtures and fittings for your product please contact our customer service team on **0333 777 8999** and they will be happy to arrange for a replacement to be sent to you free of charge.

### Home service technicians

If you have a fault with your product please contact our customer service team on **0333 777 8999**. If you have had the product for 28 days or less you may be offered a replacement, refund or for a fully trained home service technician to visit your home to assess the fault and repair the product where possible. If you have had the product for more than 28 days we will send an independent home service technician to review and repair the product where possible and recommend further action.

### You can write to us at

#### Home Customer Services

Next Retail Ltd,  
Desford Road,  
Leicester,  
LE19 4AT

To view our full furniture range please visit [www.next.co.uk](http://www.next.co.uk)

**PRODUCT SUPPLIED WITH WALL FIXING STRAPS**