

# 21x28.5cm

next

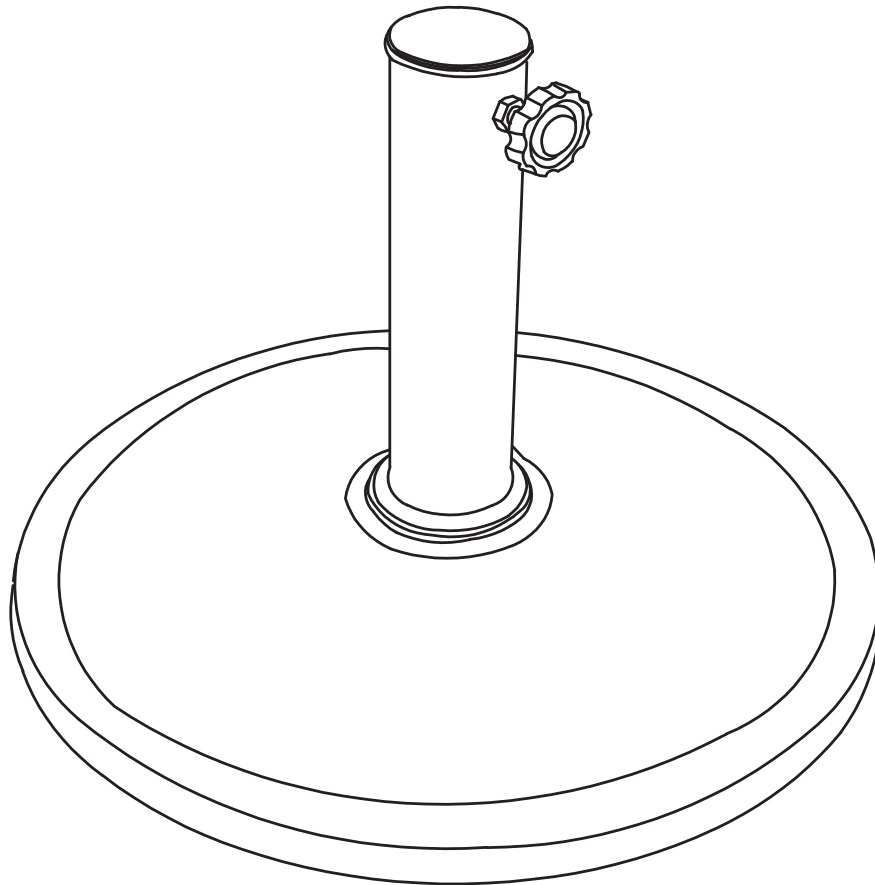
Parasol Base

394304

Assembly instructions

Actual product size

Dia.44.5 x H 33cm



**Need Help?**

With: Assembly instructions

Missing or damaged parts

**CALL: 0333 777 8999**

**IMPORTANT-RETAIN FOR FUTURE REFERENCE**

Produced in China for Next Retail Ltd

# next

## Parasol Base

### 394304

## Assembly instructions

# BEFORE YOU START

## Warnings

### **IMPORTANT, RETAIN FOR FUTURE REFERENCE READ CAREFULLY**

See enclosed instructions for assembly, safety and care information.

Failure to follow the warnings could result in serious injury.

Handle heavy parts with care.

Ensure that this product is fully assembled as illustrated before use.

This product should only be used on firm, level ground.

**The product contains small parts which could pose a risk to young children. Keep small parts out of reach of children.**

This product is intended for domestic use only.

Please ensure you have correctly installed the parasol base before use. A competent person should carry out assembly. No liability will be accepted for damage or injury caused by incorrectly installed or assembled furniture.

### **Number of people required for assembly**

One person.

### **Time to assemble**



10 minutes



### **Tools required**



## Dos

When you are ready to start, make sure that you have the right tools, plenty of space and a clean, dry area for assembly.

Unwrap all packaging materials and place the components on suitable surface to prevent scratching your product.

Check the pack and make sure you have all of the parts listed.

Check all screws and bolts are tightened and inspect regularly.

We recommend the use of furniture covers to protect your product when not in use.

During bad weather or in winter months, the product should be stored in a cool, dry place. Before storage, ensure that the product is clean and dry.

To clean, wipe with a damp sponge and a little warm soapy water then dry with a clean. Do not use solvent-based cleaners or detergents as they can bleach or damage the product.

## Don'ts

Do not use power tools to construct this product.

Do not use this product if parts are missing, damaged or worn.

Never use scourers, abrasives or chemical cleaner.

Never use a pressure hose or washer to clean the product.

Never drag furniture when moving it, always lift it.

If you are missing any fixtures and fittings for your product please contact our customer service team on 0333 777 8999 and they will be happy to arrange for a replacement to be sent to you free of charge.

### **Home service technicians**

If you have a fault with your product please contact our customer service team on 0333 777 8999. If you have had the product for 28 days or less you may be offered a replacement, refund or for a fully trained home service technician to visit your home to assess the fault and repair the product where possible. If you have had the product for more than 28 days we will send an independent home service technician to review and repair the product where possible and recommend further action.

### **Home service technicians**

Next Retail Ltd,  
Desford Road,  
Leicester,  
LE19 4AT

To View our full furniture range please visit [www.next.co.uk](http://www.next.co.uk)

# 21x28.5cm

# next

## Parasol Base

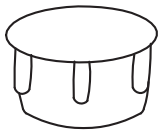
### 394304

### Assembly instructions

## GETTING TO KNOW YOUR PRODUCT

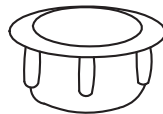
Components supplied. Please use this guide if you require replacement parts.

**A X1**



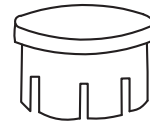
32MM ADAPTER

**B X1**



38MM ADAPTER

**C X1**



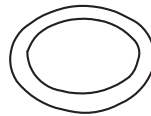
48MM ADAPTER

**D X1**



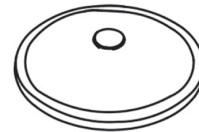
TUBE

**E X1**



PLASTIC RING

**F X1**



BASE

**G X1**



WASHER

**H X1**



SPRING WASHER

**I X1**



BOLT

**J X1**



ADJUSTING SCREW

**K X1**



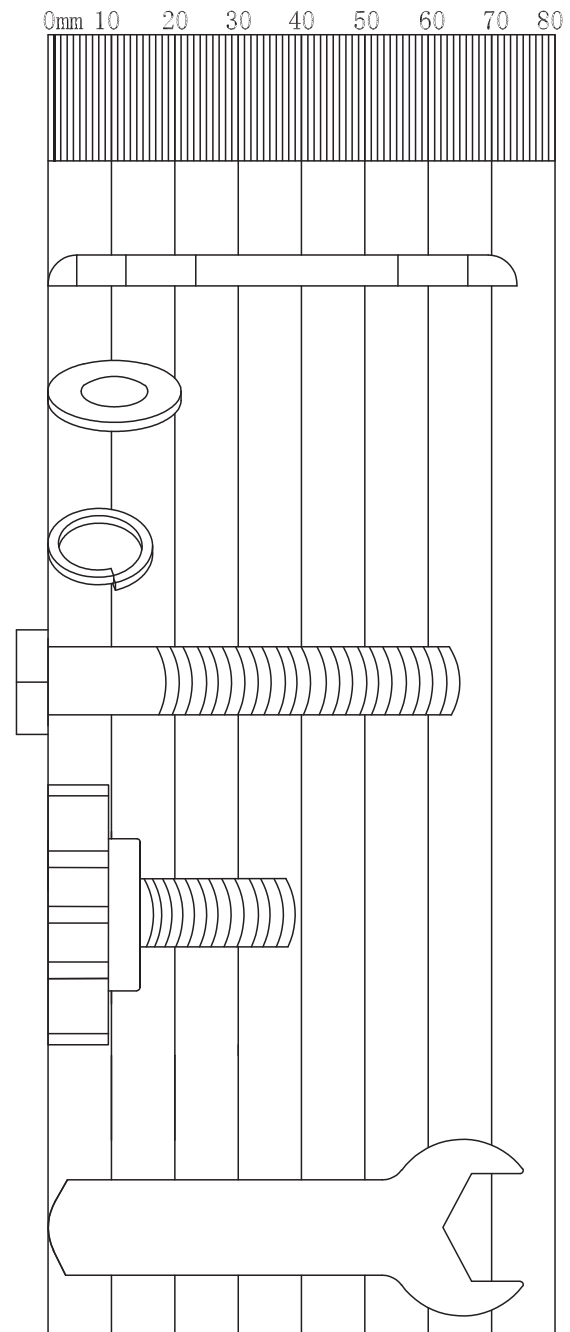
SPANNER

**next** Parasol Base  
**394304**  
**Assembly instructions**

## Fixtures and fittings

### Supplied (actual size)

Ref	Dimensions	Qty	***Extra Fittings
E	ø74Xø35X5.2mm	1	
G	ø21Xø10.2X1.2mm	1	
H	ø16.5Xø10.8X3mm	1	
I	M10X65mm	1	
J	M10Xø40.5X39mm	1	
K	17X25.5X75mm	1	



# 21x28.5cm

# next

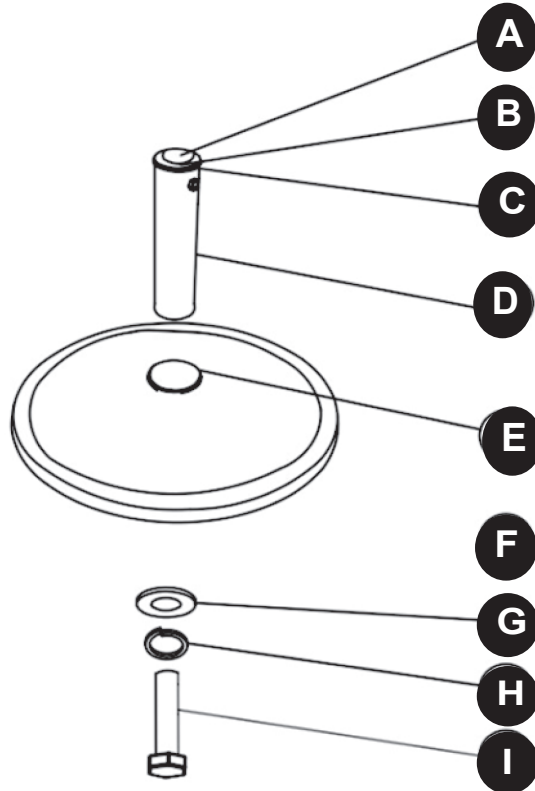
## Parasol Base

### 394304

### Assembly instructions

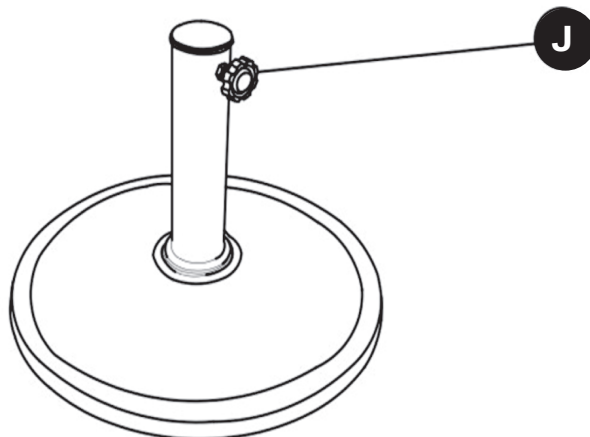
# 1

Note: Please assemble the toppest one first, then from up to down for others



E X 1 Dia.74mm	G X 1 Dia.21mm	I X 1 M10 x 65mm
H X 1 Dia.16.5mm	K X 1 17X25.5X75mm	

# 2



J X 1	Dia 40.5mm

4/5

21x28.5cm

next

Parasol Base

394304

Assembly instructions

