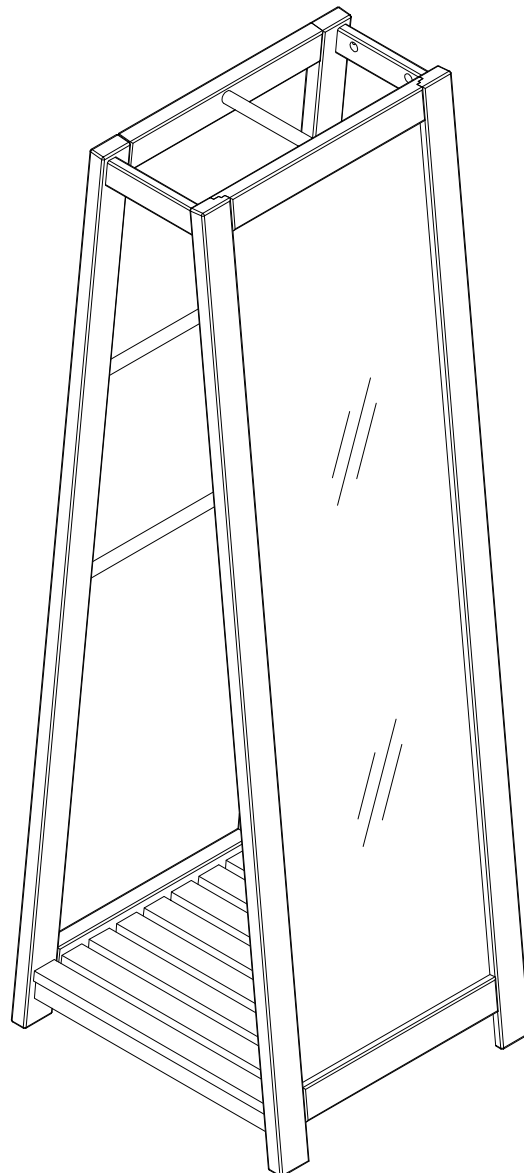


next

HOXTON DRESS MIRROR  
394815  
Assembly instructions

Actual product size  
H159.5 x W50 x D54.4cm



**Need Help?**

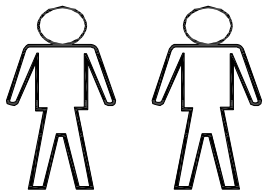
With: Assembly instructions  
Missing or damaged parts

**CALL: 0333 777 8999**

**IMPORTANT – RETAIN FOR FUTURE REFERENCE**

## BEFORE YOU START

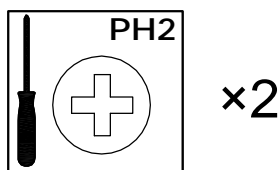
### Number of people required to assemble



### Time to assemble



### Tools required



not supplied

#### Do's

We suggest you spend a short time reading through this leaflet before you start.

We recommend that the packaging is used to protect the surfaces during assembly.

Carefully check that you have all the parts before beginning assembly.

Due to the size of the product we recommend that it is assembled in the room intended for use.

Ensure the product is fully assembled as illustrated and all fixings fully tightened before use.

Wood will mellow and change colour over time, we recommend that ornaments and items placed on the surface are moved regularly for the first few months to prevent uneven mellowing.

**BS7449:** 1991

**Name and Address:** NEXT RETAIL LTD. LE19 4AT

**identification and model Number:** 394815 HOXTON DRESS MIRROR

**Date of Manufacture:** 12/2015

**Contract number:** IA8454441

**Nominal thickness of Glass:** 5mm, Annealed glass

**Country of Origin:** China

If a glass component is chipped or broken replace with glass of the type described on this label. Consult with the retailer with regard to obtaining a manufacturing specification and shape for replacement glass quoting the model number, batch number and date of manufacture.

#### Don'ts

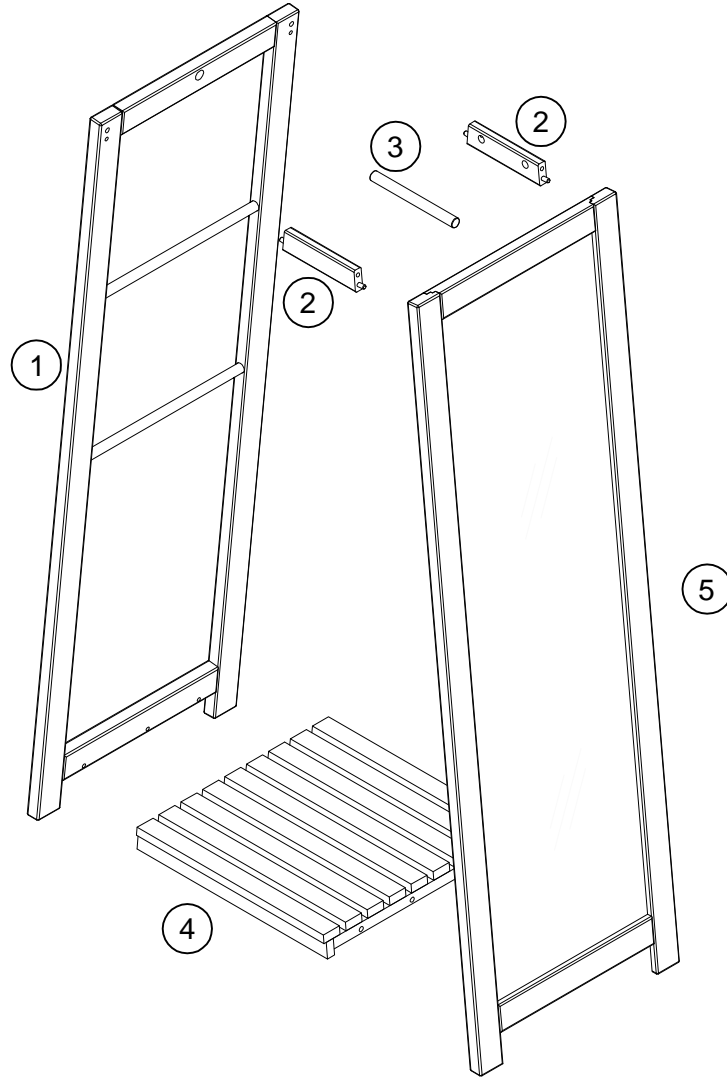
Do not drag or pull your furniture.

Do not use silicone based furniture polish. Silicone in furniture polishes can break down the lacquer finish,

Never allow any kind of liquid to remain on your furniture. Absorption can cause wood to warp or finishes to de-laminate.

Do not place hot items (e.g. hot drinks) directly on to the wood surface. please make sure you use a placemat or coaster.

GETTING TO KNOW YOUR PRODUCT

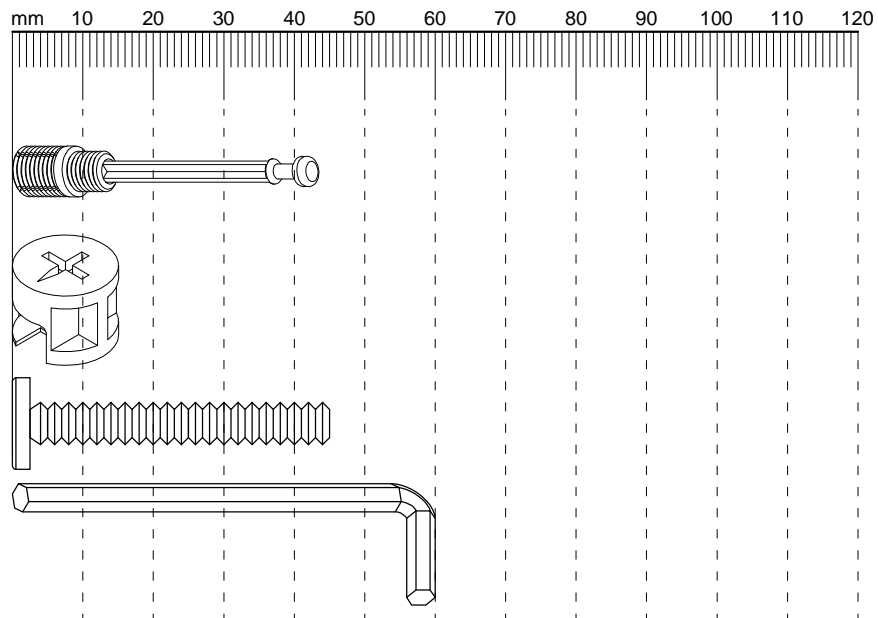


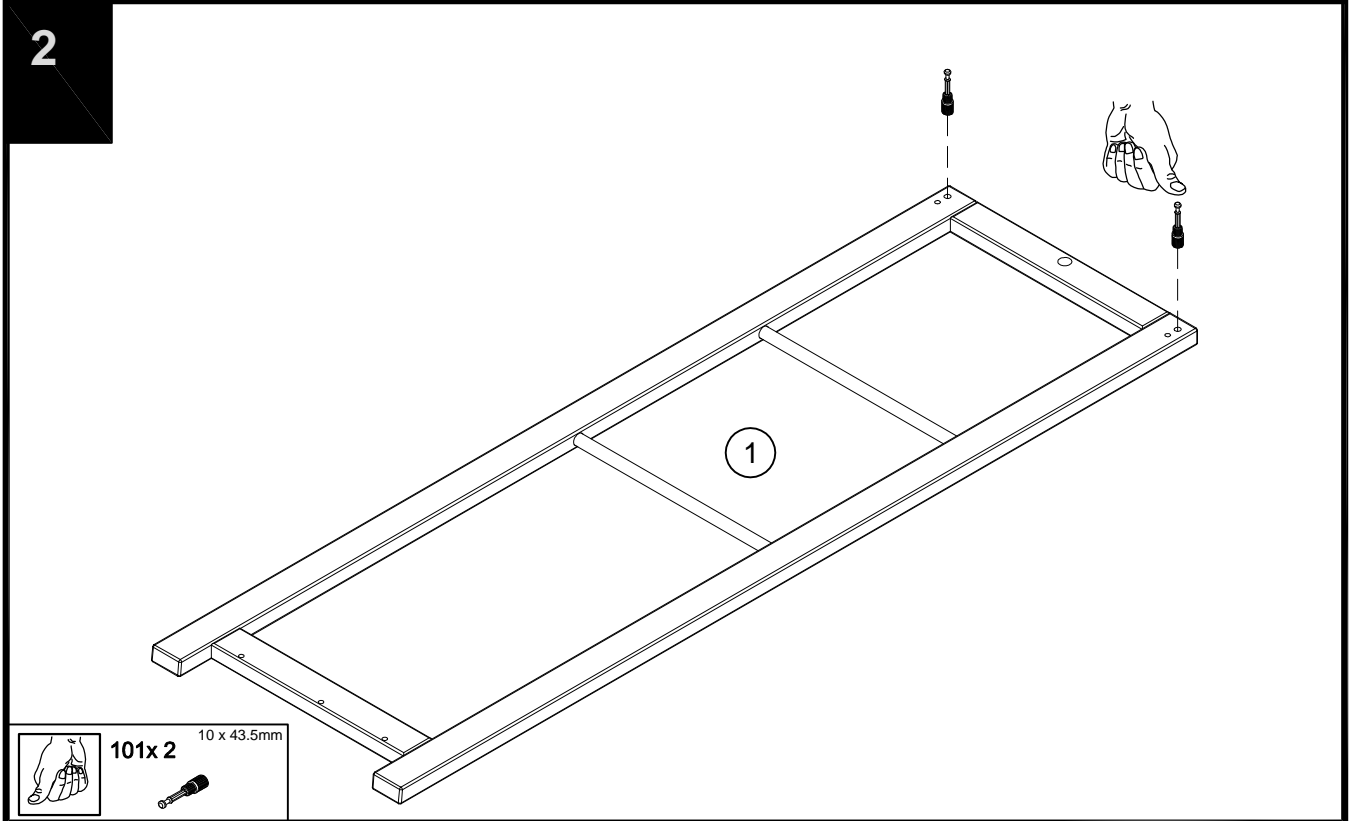
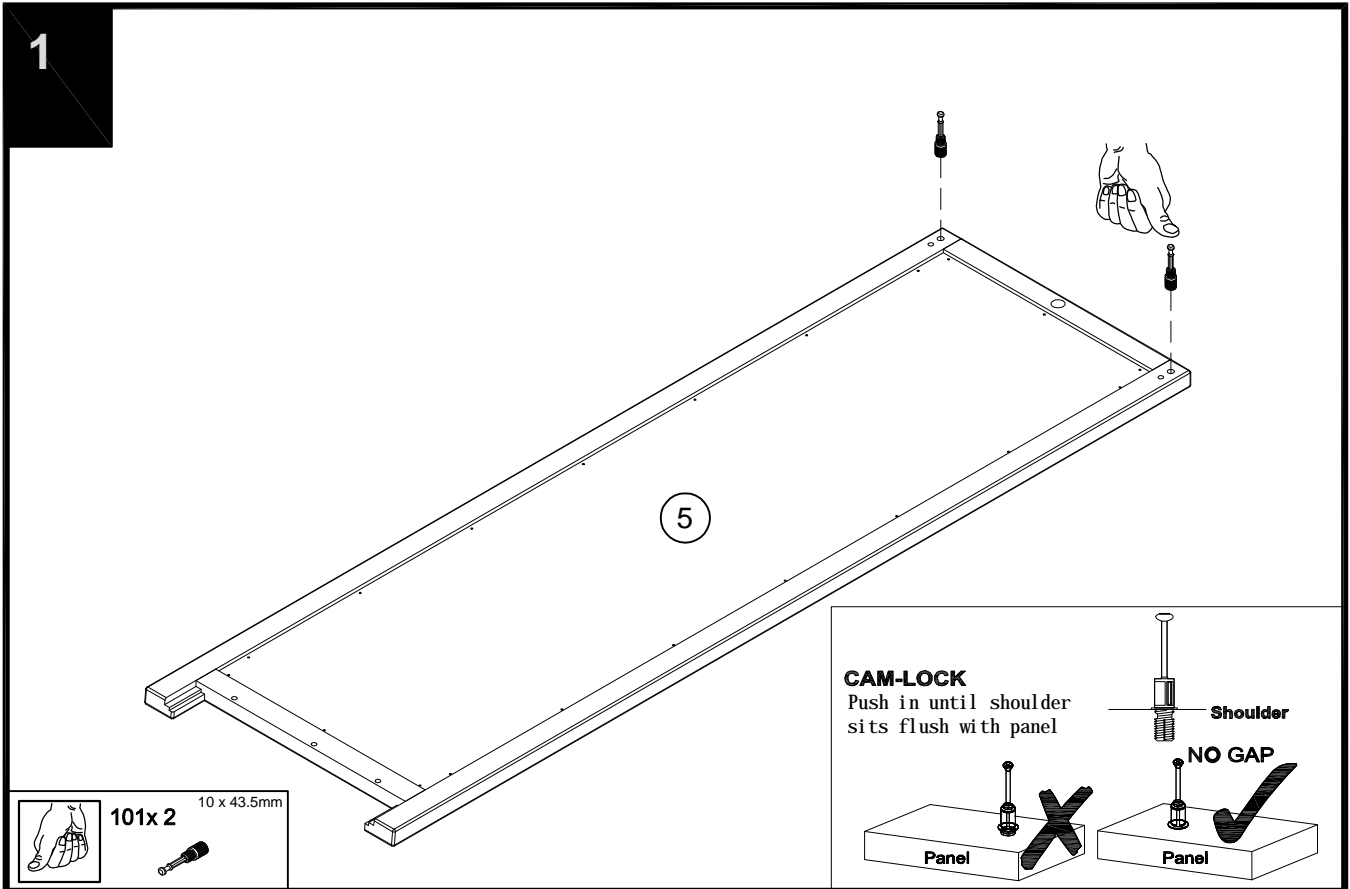
Components supplied. Please use this guide if you require replacement parts.

| Ref | Dimensions   | Visual | Qty | Ctn | Ref | Dimensions   | Visual | Qty | Ctn |
|-----|--------------|--------|-----|-----|-----|--------------|--------|-----|-----|
| 1   | 160.3 x 50cm |        | 1   | 1   | 4   | 48 x 47.8cm  |        | 1   | 1   |
| 2   | 18.3 x 4.5cm |        | 2   | 1   | 5   | 160.3 x 50cm |        | 1   | 1   |
| 3   | 20.6 x 2cm   |        | 1   | 1   |     |              |        |     |     |

Fixtures and fittings supplied (actual size)

| Ref | Dimensions    | Qty      | Spare Qty |
|-----|---------------|----------|-----------|
| 101 | 10×43.5mm     | 4        | 1         |
| 201 | 15×12mm       | 4        | 1         |
| 301 | <b>6×45mm</b> | <b>6</b> | <b>1</b>  |
| 401 | D4mm          | 2        | 0         |

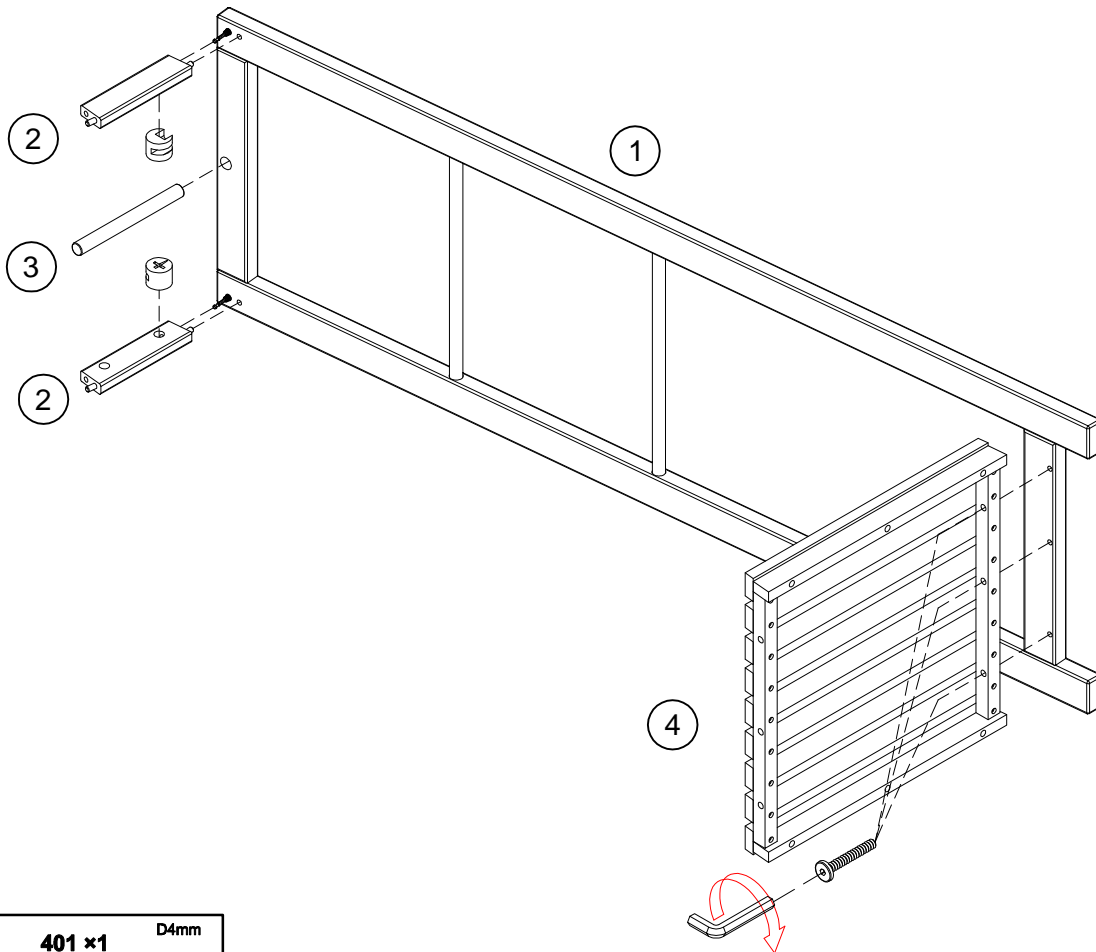




3

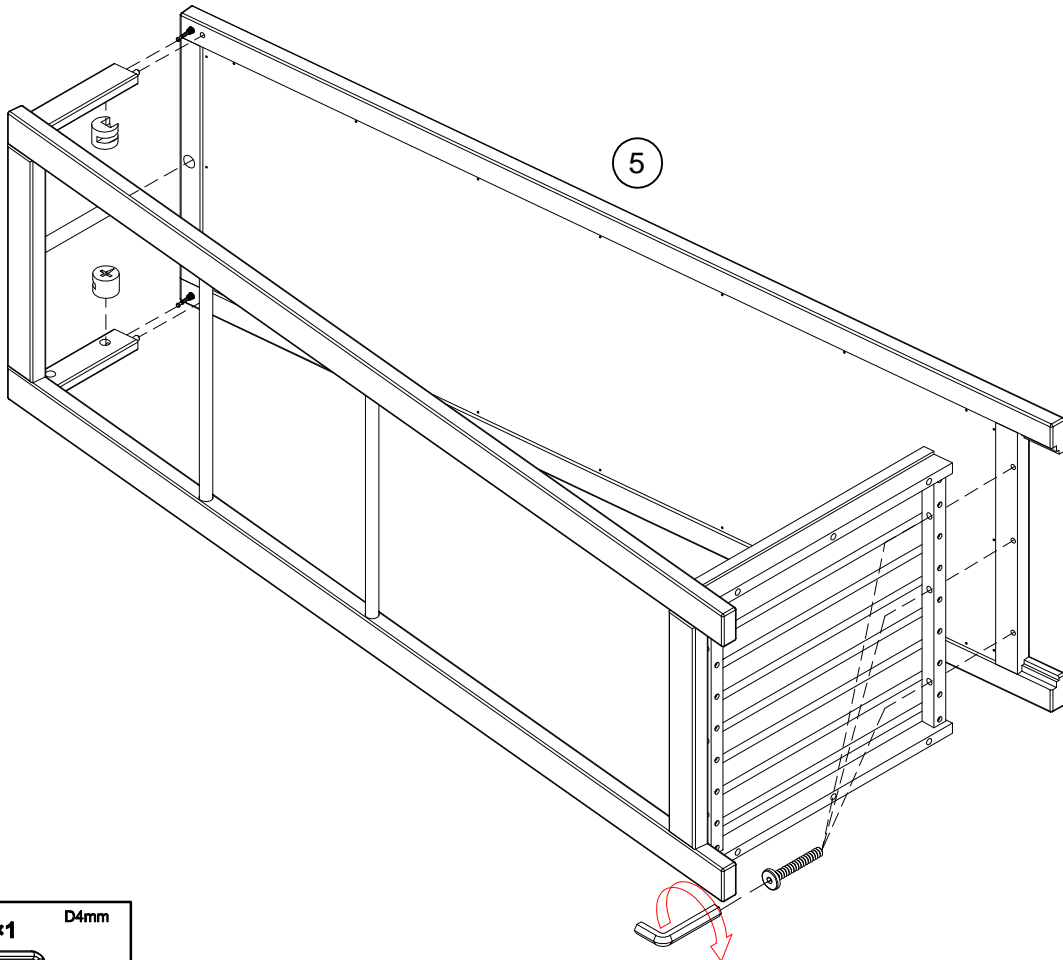
**WHEN TIGHTENING THE CAM**  
 TURN THE CAM IN A CLOCKWISE DIRECTION UNTIL THE  
 ARROW POINTS IN THE POSITIONS SHOWN IN THE  
 DIAGRAMS BELOW

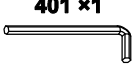


START      MINIMUM LOCK      MAXIMUM LOCK



|                             |         |
|-----------------------------|---------|
| <b>401 × 1</b>              | D4mm    |
|                             |         |
| <b>301 × 3</b>              | 6×45mm  |
|                             |         |
| <b>201 × 2</b>              | 15×12mm |
|                             |         |
| <small>not supplied</small> |         |

4

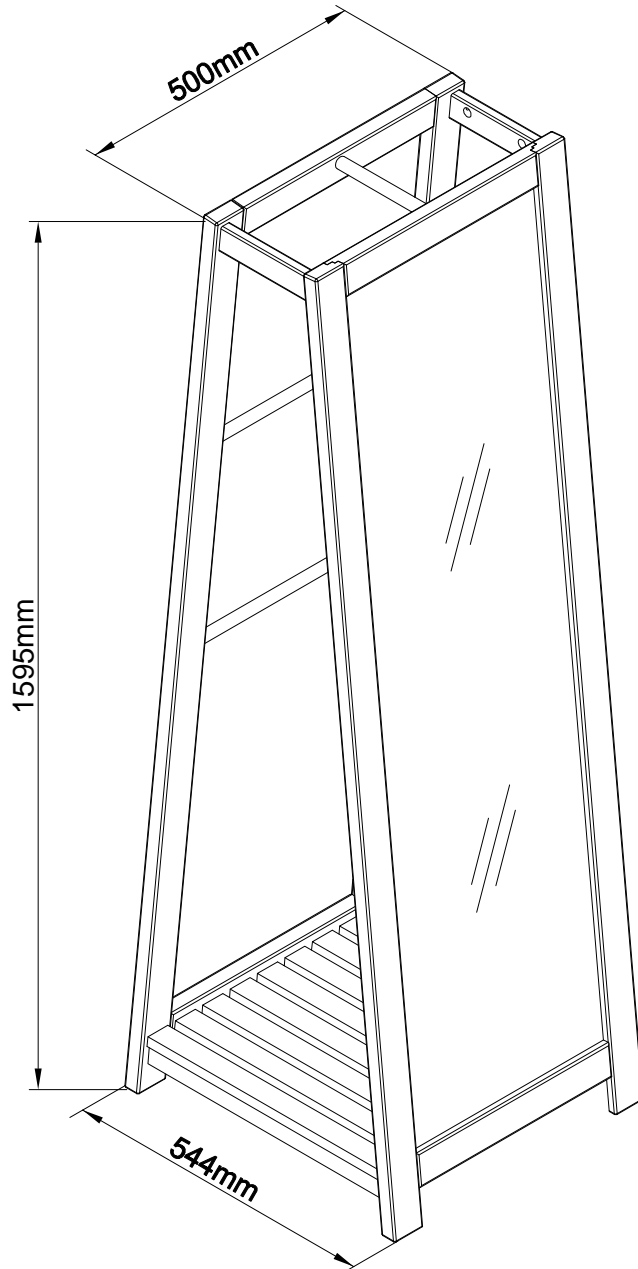


|   |
|---|
| <br><b>401 × 1</b> D4mm    |
| <br><b>301 × 3</b> 6×45mm  |
| <br><b>201 × 2</b> 15×12mm |

PH2  
NOT SUPPLIED

next

HOXTON DRESS MIRROR  
394815







# HOXTON DRESS MIRROR

394815  
Assembly instructions

## Warnings

We suggest you retain these instructions for future reference.

Keep fittings out of children's reach and keep children well away from the construction area.

This product should only be used on firm, level ground.

Please periodically check all fittings and re-tighten as necessary.

Please do not sit or stand on your furniture.

Avoid exposing the furniture to excessive heat or direct sunlight as this can cause deterioration of the colour.

Unwrap all packaging materials and place the components on top of the carton box or on a clean floor to protect it from damage.

## Missing parts

If you are missing any fixtures and fittings for your product please contact our customer service team on **0333 777 8999** and they will be happy to arrange for a replacement to be sent to you free of charge.

## Home service technicians

If you have a fault with your product please contact our customer service team on **0333 777 8999**. If you have had the product for 28 days or less you may be offered a replacement, refund or for a fully trained home service technician to visit your home to assess the fault and repair the product where possible. If you have had the product for more than 28 days we will send an independent home service technician to review and repair the product where possible and recommend further action.

## You can write to us at

### Home Customer Services

Next Retail Ltd,  
Desford Road,  
Leicester,  
LE19 4AT

To view our full furniture range please visit [www.next.co.uk](http://www.next.co.uk)

**PRODUCT SUPPLIED WITH WALL FIXING STRAPS**