

next

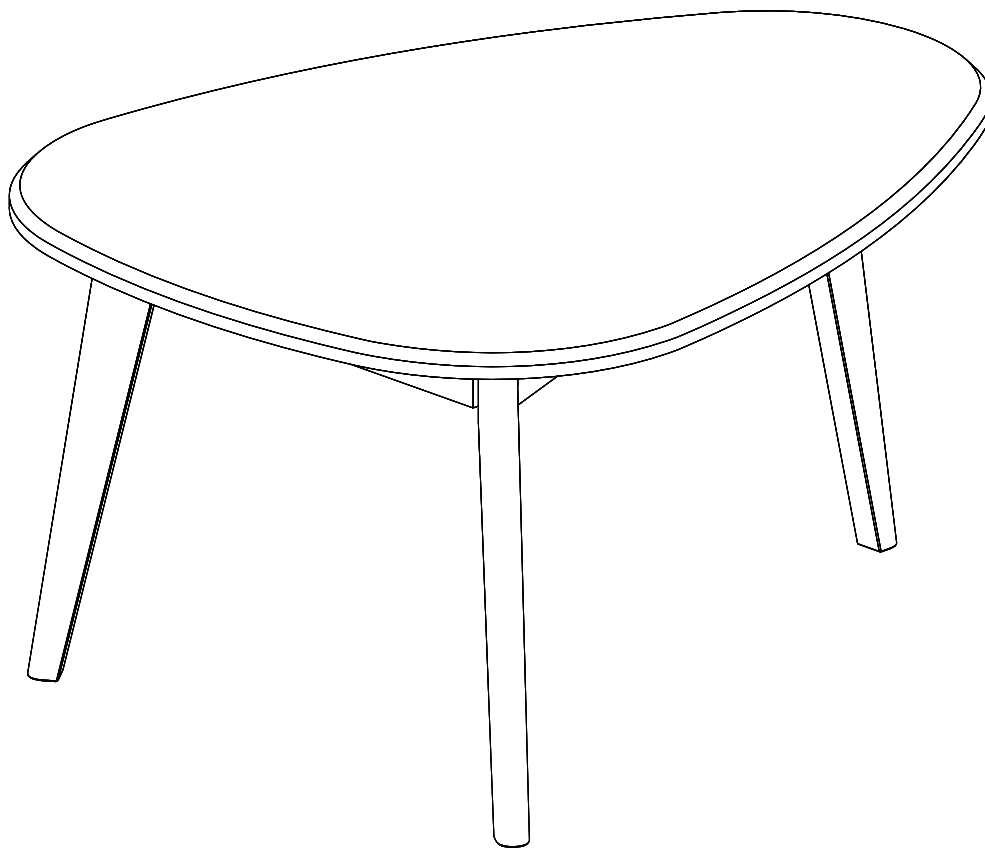
PEBBLE COFFEE TABLE

396515

Assembly instructions

Actual product size

H393 x W667 x D829mm



Need Help?

With: Assembly instructions

Missing or damaged parts

CALL: 0333 777 8999

IMPORTANT-RETAIN FOR FUTURE REFERENCE

next

PEBBLE COFFEE TABLE

396515

Assembly instructions

BEFORE YOU START

Warnings

We suggest you retain these instructions for future reference. Keep fittings out of children's reach and keep children well away from the construction area.

This product should only be used on firm, level ground.

Please periodically check all fittings and re-tighten as necessary.

Please do not stand on your furniture.

Avoid exposing the furniture to excessive heat or direct sunlight as this can cause cracking of the wood and deterioration of the colour.

Unwrap all packaging materials and place the components on top of the carton box or on a clean floor to protect it from damage.

Do's

We suggest you spend a short time reading through this leaflet before you start.

When you are ready to start, make sure that you have the right tools and plenty of space.

Unwrap all packaging materials and place the components on a clean surface to protect it from damage.

We recommend that the packaging is used to protect the surfaces during assembly.

Carefully check that you have all the parts before beginning assembly.

Due to the size of the product we recommend that it is assembled in the room intended for use.

Ensure the product is fully assembled as illustrated and all fixings fully tightened before use. Check fixings regularly to ensure they remain tight.

Wood will mellow and change colour over time, we recommend that ornaments and items placed on the surface are moved regularly for the first few months to prevent uneven mellowing.

To clean your item, please use a soft cloth slightly dampened with water and wipe clean. Then buff with a dry clean cloth.

Don'ts

Do not drag or pull your furniture.

Do not use silicone based furniture polish. Silicone in furniture polishes can break down the lacquer finish.

Ensure that the product is protected with mats & coasters when items are placed on to its surface. Never put hot dishes directly onto wooden or glass surfaces as this may mark the furniture.

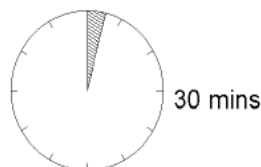
Never allow any kind of liquid to remain on your furniture.

Absorption can cause finishes to de-laminate and or stain.

Number of people required to assemble

One person is required assemble this item

Time to assemble

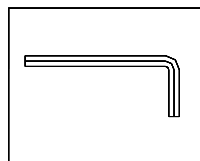


Tips

Look out for the symbol throughout this manual.

Wherever you see it we will have a handy tip to help you with the assembly of your product.

Tools required



supplied

Missing parts

If you are missing any fixtures and fittings for your product

please contact our customer service team on 0333 777 8999 and they will be happy to arrange for a replacement to be sent to you free of charge.

Home service technicians

If you have a fault with your product please contact our customer service team on 0333 777 8999. if you have had the product for 28 days or less you may be offered a replacement, refund or for a fully trained home service technician to visit your home to assess the fault and repair the product where possible. if you have had the product for more than 28 days we will send an independant home service technician to review and repair the product where possible and recommend further action.

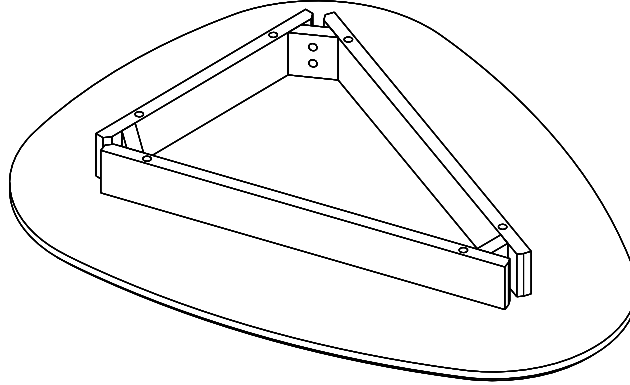
Home service technicians

Next Retail Ltd,
Desford Road,
Leicester,
LE19 4AT

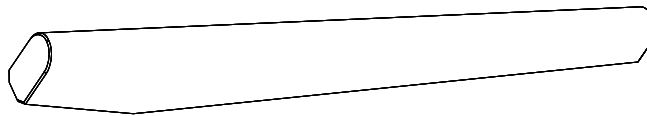
To View our full furniture range please visit
www.next.co.uk

GETTING TO KNOW YOUR PRODUCT

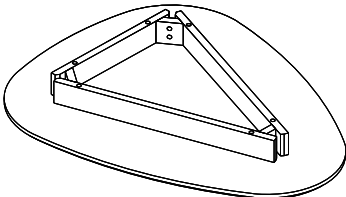

A



B

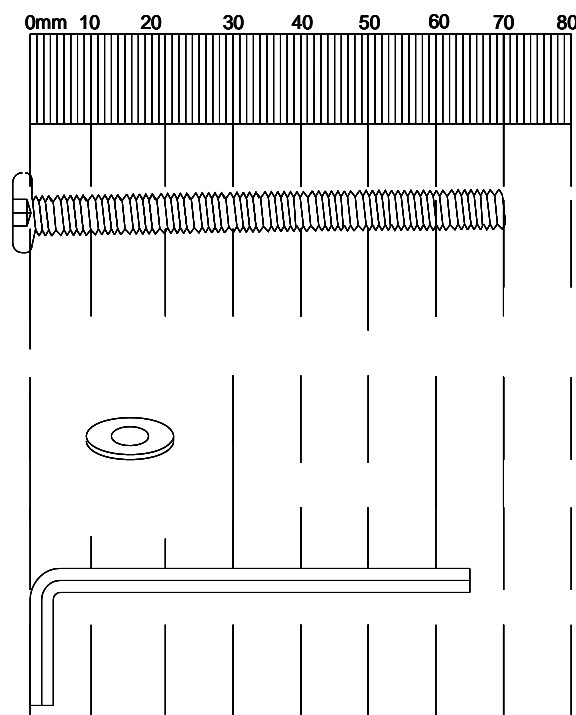


Components supplied. Please use this guide if you require replacement parts.


Ref	Dimensions	Visual	Qty	Ctn
A	790x625x18mm		1	1
B	375x50x45mm		3	1

Fixtures and fittings supplied (actual size)

Ref	Dimemnsions	Qty	*Extra Fittings
C	∅ 8x70mm	6	1
D	∅ 9x ∅ 18mm	6	1
E	5x64x25mm	1	



Fixtures and fittings supplied(not to scale)

Ref	Dimemnsions	Visual	Qty	*Extra Fittings
F	M8		6	1

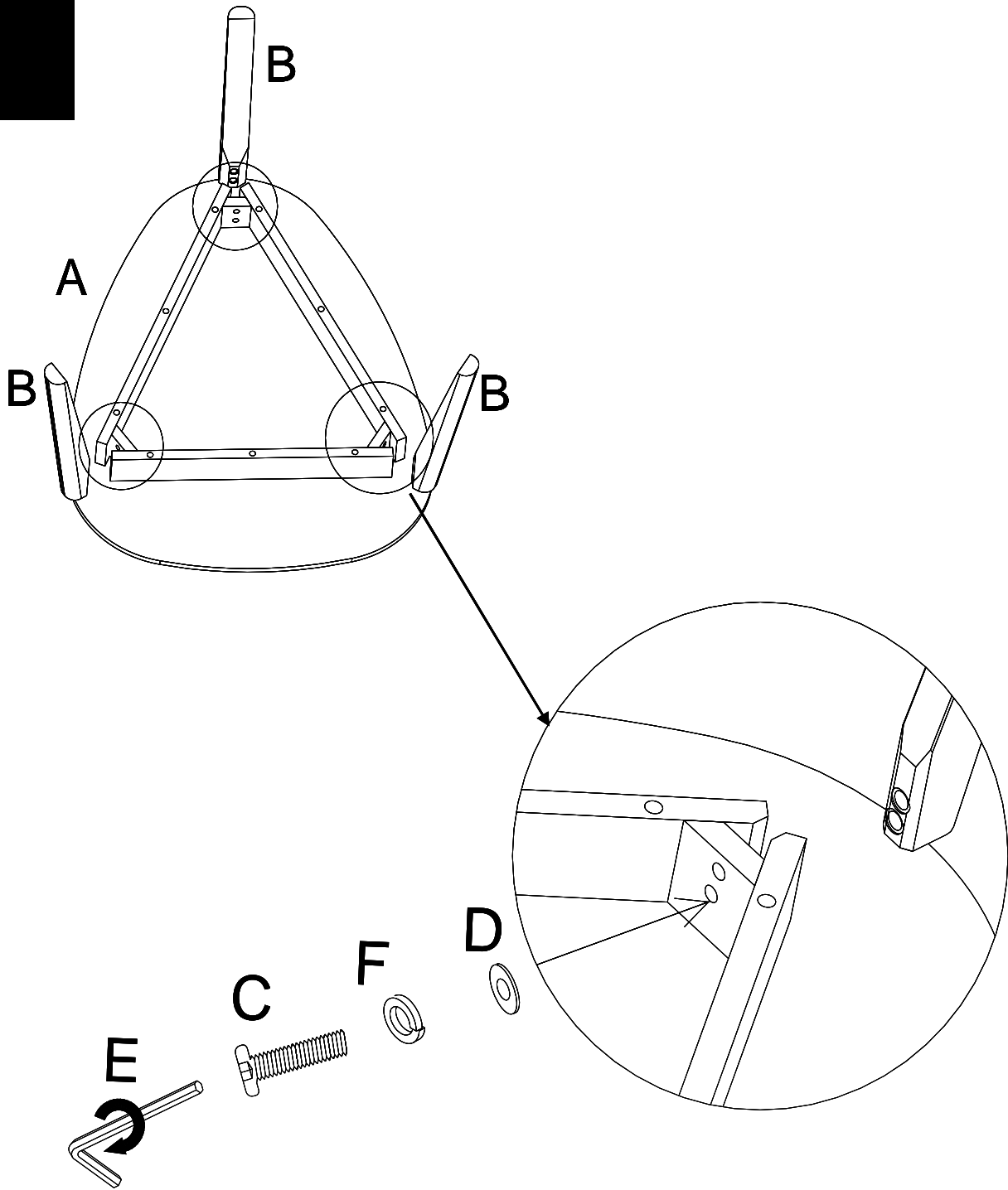
next



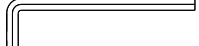

PEBBLE COFFEE TABLE

396515

Assembly instructions

1



$\varnothing 8 \times 70 \text{mm}$ C X 6 	$\varnothing 9 \times \varnothing 18 \text{mm}$ D X 6 	$5 \times 64 \times 25 \text{mm}$ E X 1 	M8 F X 6 
--	--	--	--

next

PEBBLE COFFEE TABLE

396515

Assembly instructions

2

