

# BEFORE YOU GET STARTED...

*We're confident you'll love your gorgeous new Next furniture. However, it's worth making absolutely certain before you put it all together.*

*So, let's quickly run through these three steps:*

## 1. COLOUR

Make sure you're happy with the colour  
No need to unpack everything, just check the first component.

## 2. PROTECTIVE PACKAGING

If you're happy, then it's time to get opening! Start by laying everything out on the protective packaging – this will prevent anything getting scratched.

## 3. PARTS PAGE

Finally, double check you have all the pieces by referencing the parts page of the instructions.

## TIPS FOR RETURNS

Not completely happy with the product? No problem. We just need everything back in the original packaging, so follow the steps below and this will ensure a super-smooth returns process and no delay to your refund.

DO



- Check everything is there (the 'parts page' is a handy checklist).
- Pop all the loose fittings and fixtures into the packaging provided or tie them up in a plastic bag.
- Wrap all the big components back up in the original protective packaging.
- Close up the box and seal it securely (don't be afraid to use plenty of tape).

DON'T



- Leave anything assembled - all components should be dismantled and separately packed.
- Put loose fixtures and fittings straight into the box.
- Throw it back in the box carelessly – as it may get damaged.

next  
HOME

Then just give us a call on 0333 777 8999 and we'll sort out a pick up time for you.





# CUBA WALNUT W CHEST

397597

Assembly instructions

## Actual product size

H77x W125x D44cm



## Need Help?

With: Assembly instructions  
Missing or damaged parts

**IMPORTANT - RETAIN FOR FUTURE REFERENCE**

**CALL: 0333 777 8999**



# CUBA WALNUT W CHEST

397597

Assembly instructions

## BEFORE YOU START

### Warnings

We suggest you retain these instructions for future reference.

Keep fittings out of children's reach and keep children well away from the construction area.

This product should only be used on firm, level ground.

Please periodically check all fittings and re-tighten as necessary.

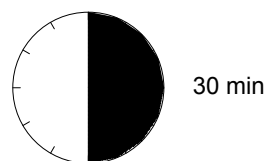
Please do not sit or stand on your furniture.

Avoid exposing the furniture to excessive heat or direct sunlight as this can cause deterioration of the colour.

### Number of people required to assemble

Two persons are required to assemble this item.

### Time to assemble



30 min



### Do's

We suggest you spend a short time reading through this leaflet before you start.

When you are ready to start, make sure that you have the right tools and plenty of space.

Unwrap all packaging materials and place the components on a clean surface to protect them from damage.

We recommend that the packaging is used to protect the surfaces during assembly.

Carefully check that you have all the parts before beginning assembly.

Due to the size of the product we recommend that it is assembled in the room intended for use.

Ensure the product is fully assembled as illustrated and all fixings are fully tightened before use.

Wipe occasionally with a soft cloth slightly dampened with water. Then buff with a dry clean soft cloth.

Wood will mellow and change colour over time, we recommend that ornaments and items placed on the surface are moved regularly for the first few months to prevent uneven mellowing.

### Don'ts

Do not drag or pull your furniture.

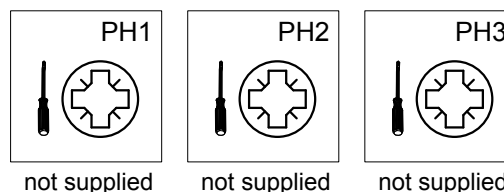
Do not use silicone based furniture polish. Silicone in furniture polishes can break down the finish.

Never allow any kind of liquid to remain on your furniture.

Absorption can cause wood to warp or finishes to de-laminate.

Do not place hot items (e.g. hot drinks) directly on to the wood surface. Please make sure you use a placement or coaster

### Tools required



### Missing parts

If you are missing any fixtures and fittings for your product please contact our customer service team on 0333 777 8999 and they will be happy to arrange for a replacement to be sent to you free of charge.

### Home service technicians

If you have a fault with your product please contact our customer service team on 0333 777 8999. If you have had the product for 28 days or less you may be offered a replacement, refund or for a fully trained home service technician to visit your home to assess the fault and repair the product where possible. If you have had the product for more than 28 days we will send an independent home service technician to review and repair the product where possible and recommend further action.

### You can write to us at

Home Customer Services  
Next Retail Ltd,  
Desford Road,  
Leicester,  
LE19 4AT

**PRODUCT SUPPLIED WITH WALL FIXINGS**

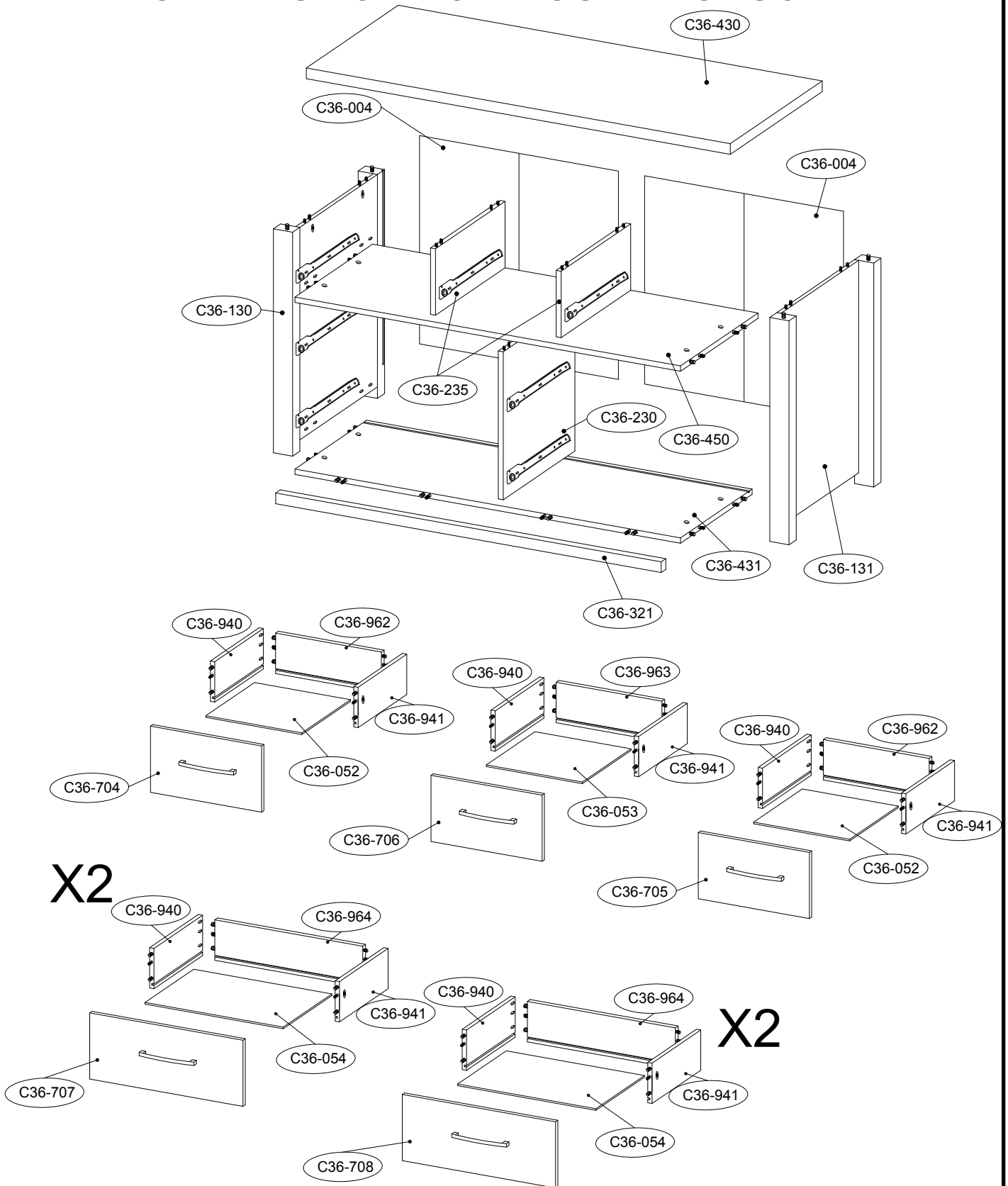
To View our full furniture range please visit [www.next.co.uk](http://www.next.co.uk)

# CUBA WALNUT W CHEST

397597

Assembly instructions

## GETTING TO KNOW YOUR PRODUCT








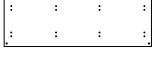
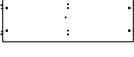
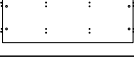













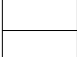


# CUBA WALNUT W CHEST

397597

Assembly instructions

**Components supplied. Please use this guide if you require replacement parts.**

Ref	Dimensions	Visual	Qty	Ctn
C36-130	72 x 44cm		1	1
C36-131	72 x 44cm		1	1
C36-230	43 x 41cm		1	2
C36-235	18 x 40cm		2	2
C36-321	111 x 5cm		1	2
C36-430	125 x 44cm		1	2
C36-431	111 x 42cm		1	2
C36-450	111 x 42cm		1	2
C36-704	37 x 17cm		1	2
C36-705	37 x 17cm		1	2
C36-706	37 x 17cm		1	1
C36-707	55 x 21cm		2	2
C36-708	55 x 21cm		2	1
C36-940	33 x 14cm		7	1
C36-941	33 x 14cm		7	1
C36-962	31 x 14cm		2	1
C36-963	30 x 14cm		1	1
C36-964	49 x 14cm		4	1
C36-052	32 x 32cm		2	2
C36-053	31 x 32cm		1	2
C36-054	50 x 32cm		4	2
C36-004	64 x 55cm		2	2



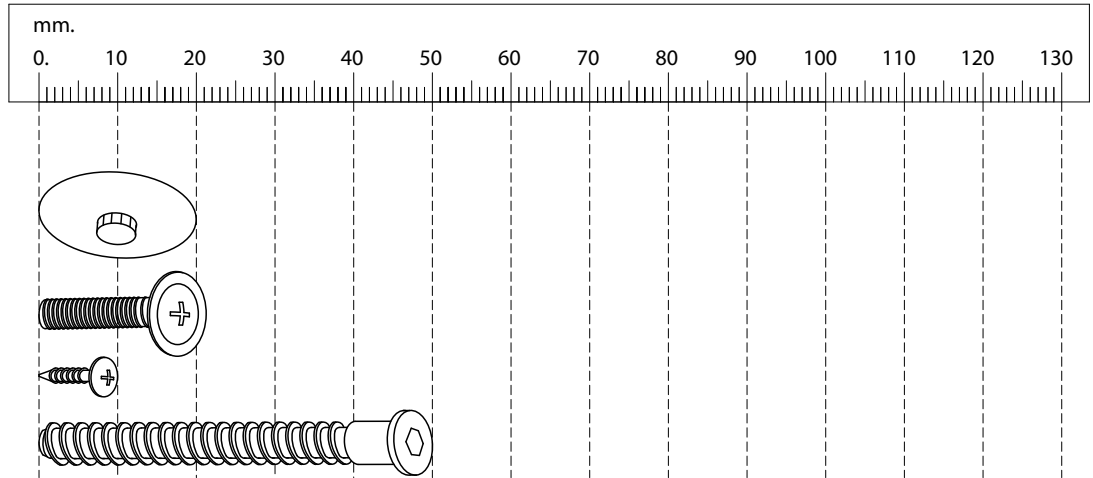
# CUBA WALNUT W CHEST

397597

Assembly instructions

## Fixtures and fittings supplied (actual size)

Ref	Dimensions	Qty
C	5 x 20 mm	28
G	4 x 22 mm	14
Z	3 x 10 mm	4
V5	6.4 x 50 mm	6



## Fixtures and fittings supplied (not to scale)

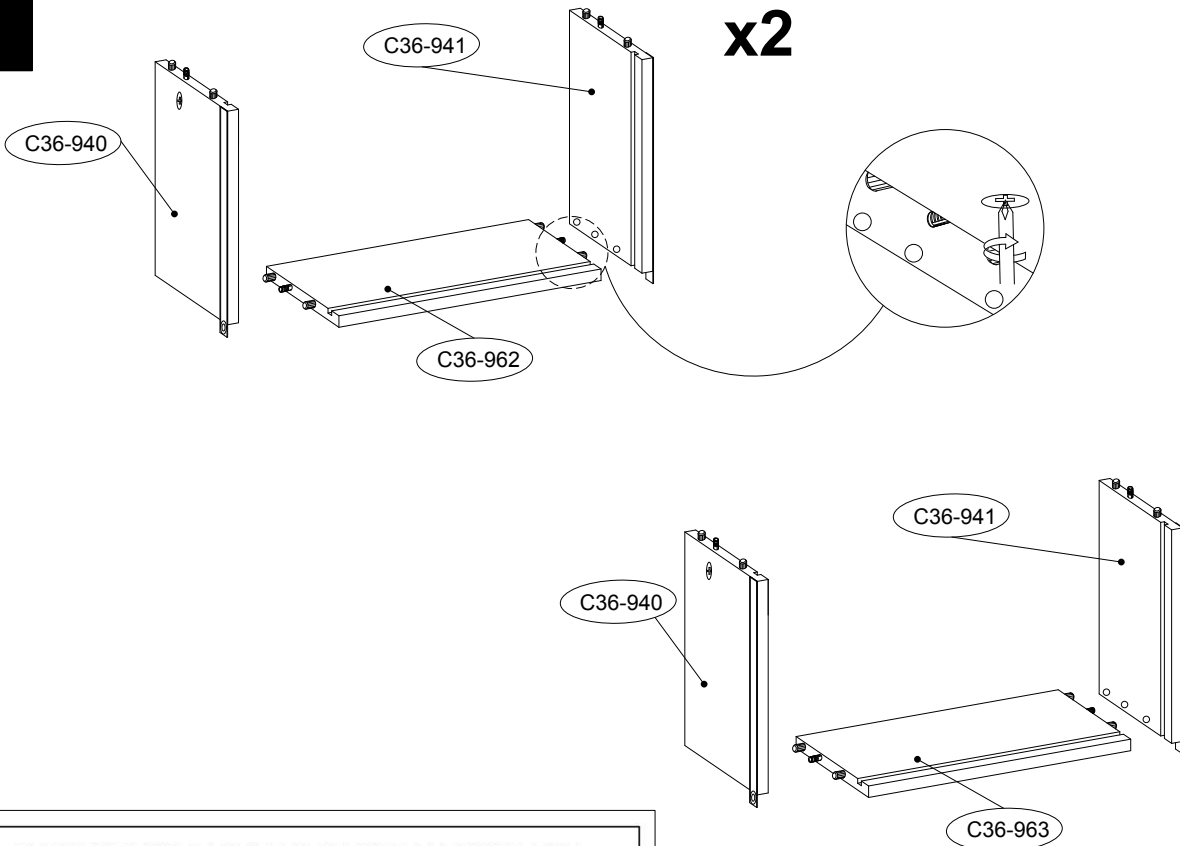
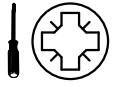
Ref	Dimensions	Visual	Qty
I1	N/A		2
J	N/A		14

Ref	Dimensions	Visual	Qty
J2	N/A		4
M	N/A		1

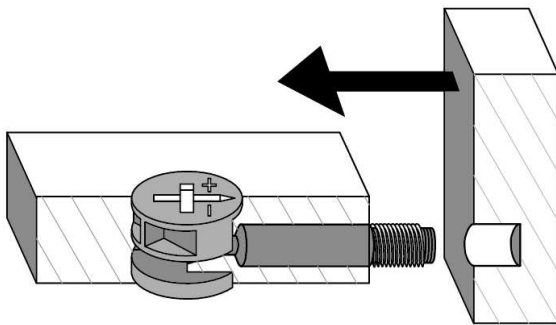
Ref	Dimensions	Visual	Qty
N	N/A		1
U1	N/A		7

1

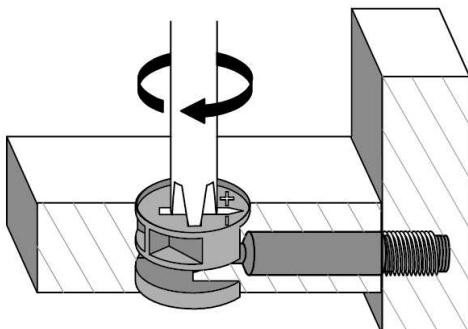
PH3



PUSH THE TWO PANELS TOGETHER ALLOWING THE DOWEL TO ALIGN WITH THE HOLE



TURN THE CAM IN A CLOCKWISE DIRECTION

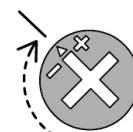


### WHEN TIGHTENING THE CAM

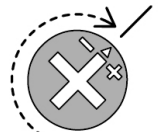
TURN THE CAM IN A CLOCKWISE DIRECTION UNTIL THE ARROW POINTS IN THE POSITIONS SHOWN IN THE DIAGRAMS BELOW



START



MINIMUM  
LOCK



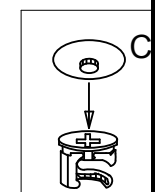
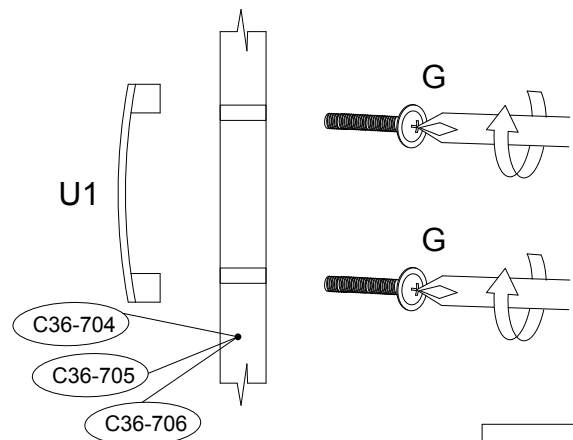
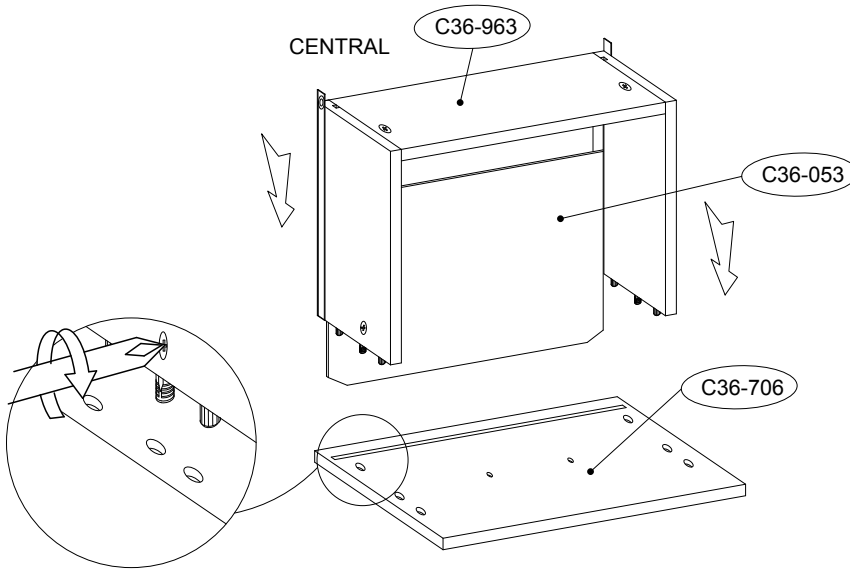
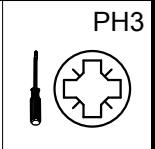
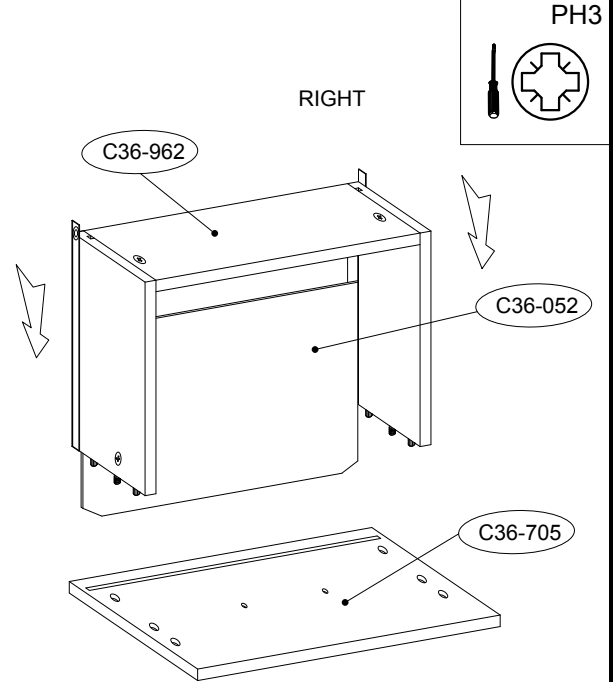
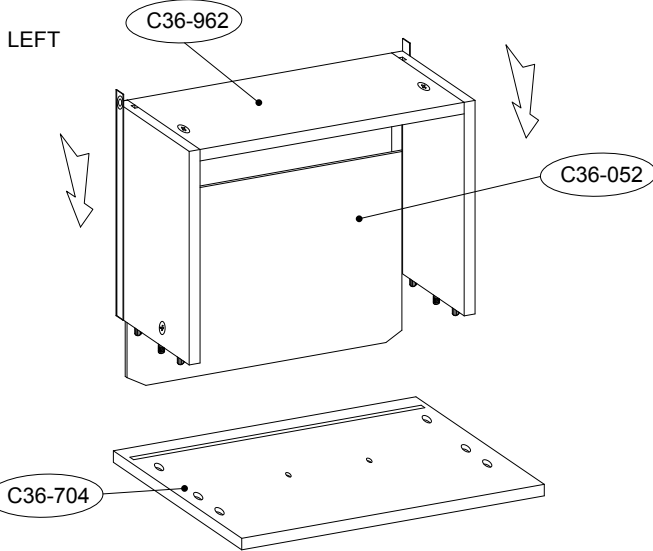
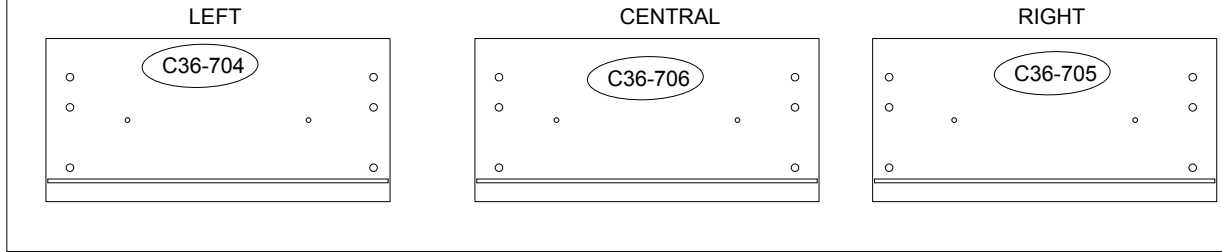
MAXIMUM  
LOCK




# CUBA WALNUT W CHEST

397597  
Assembly instructions

2

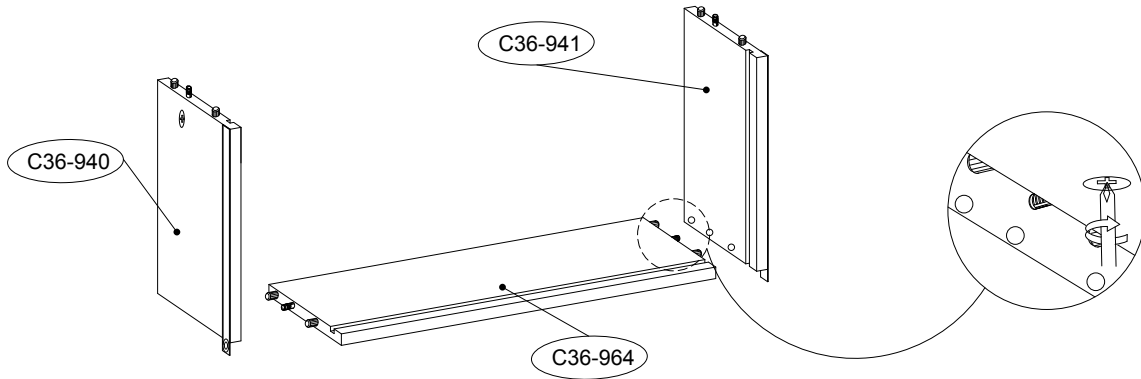
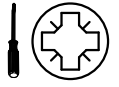


<p>Cx12</p> 	<p>PH2</p>  <p>Gx6</p>  <p>4x22mm</p>	<p>U1x3</p> 	<p>C</p> 
---	---	---	--

3

x4

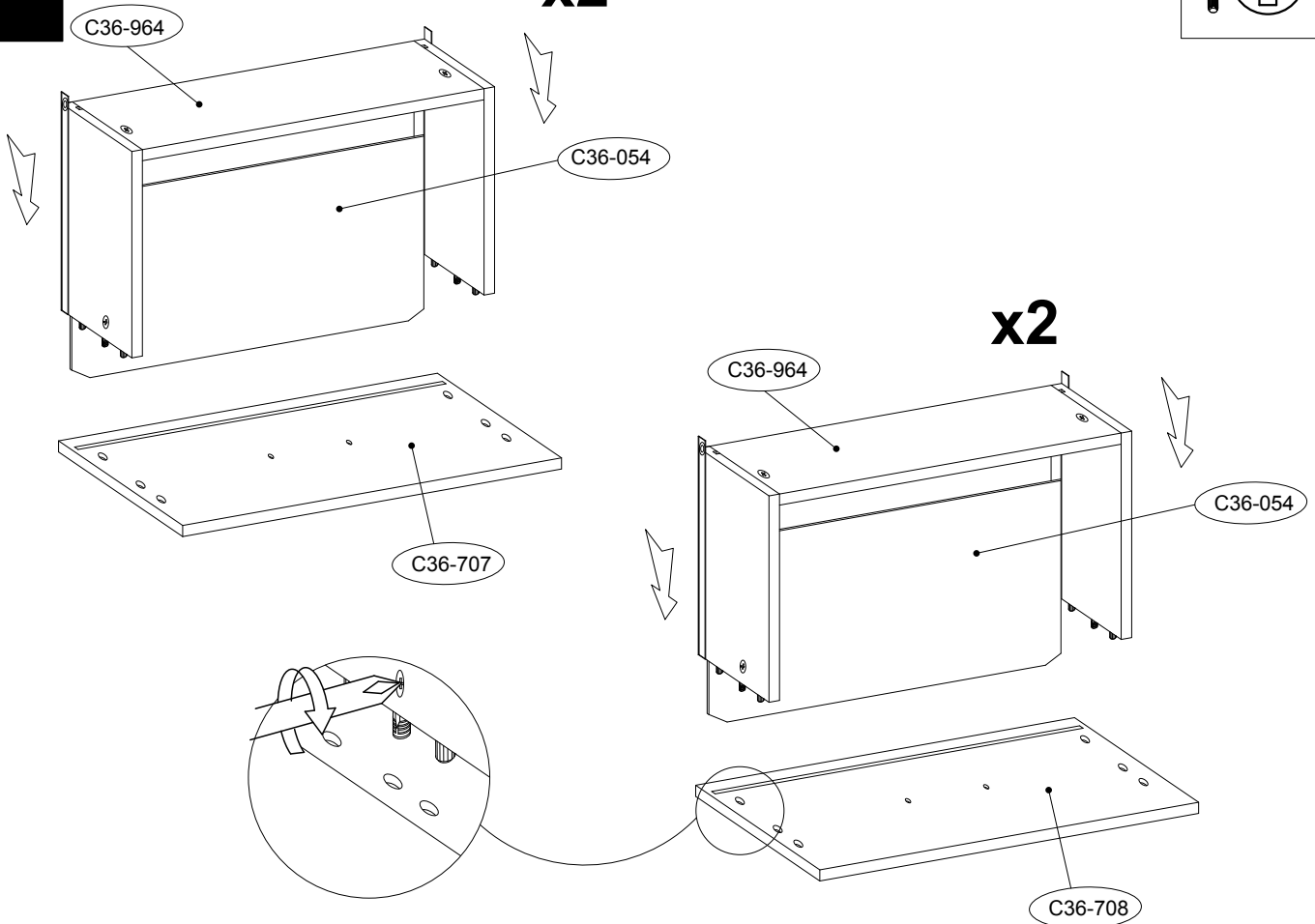
PH3



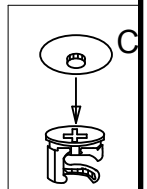
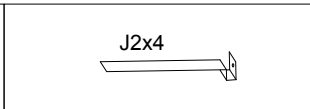
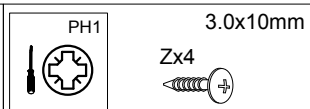
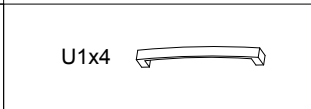
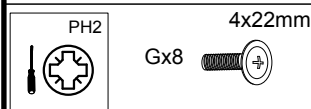
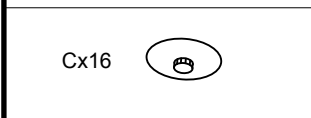
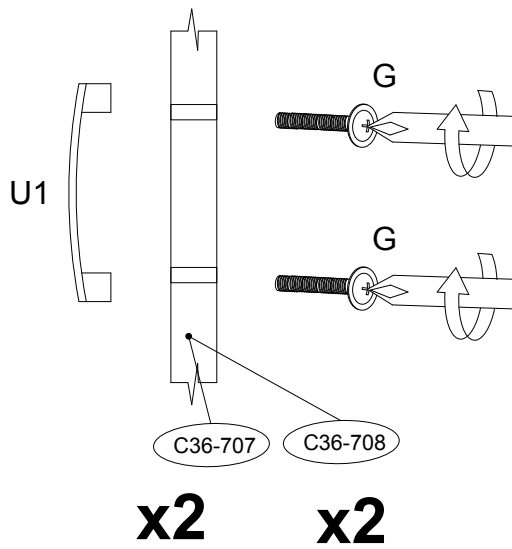
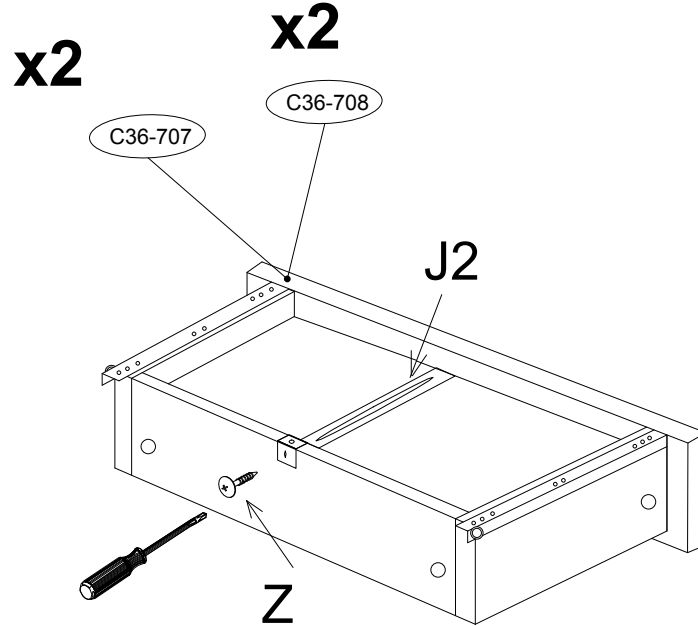
4

x2

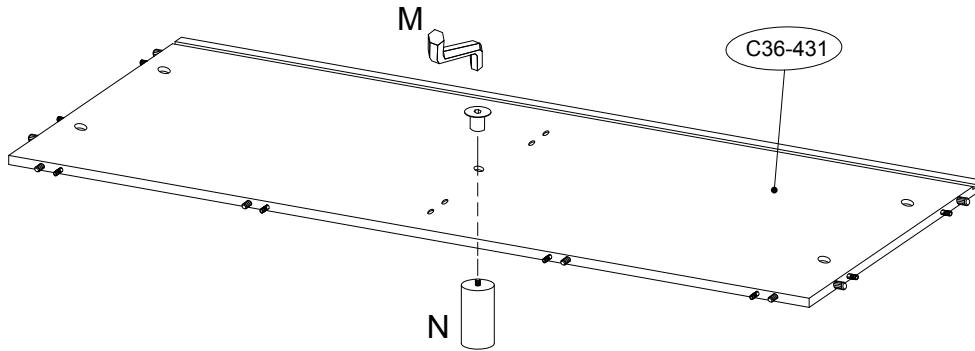
PH3



5



6



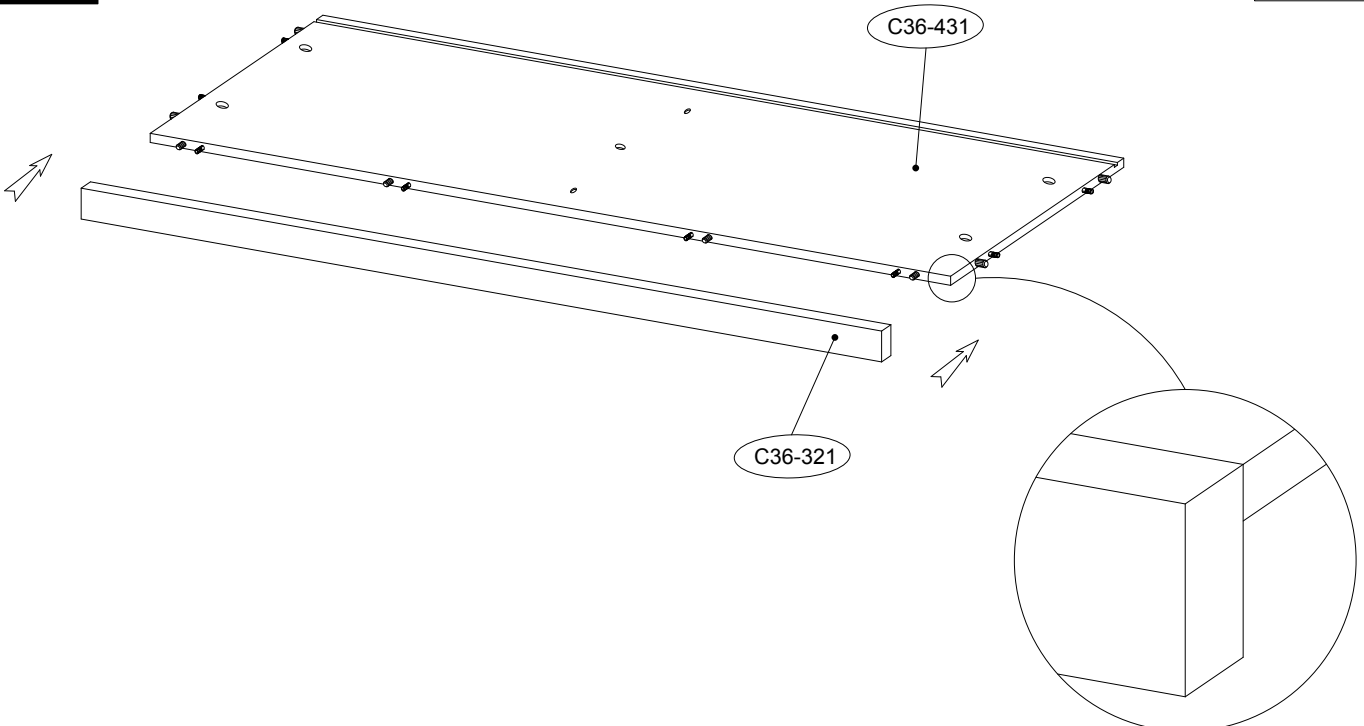
Nx1



Mx1



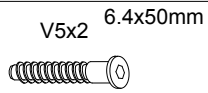
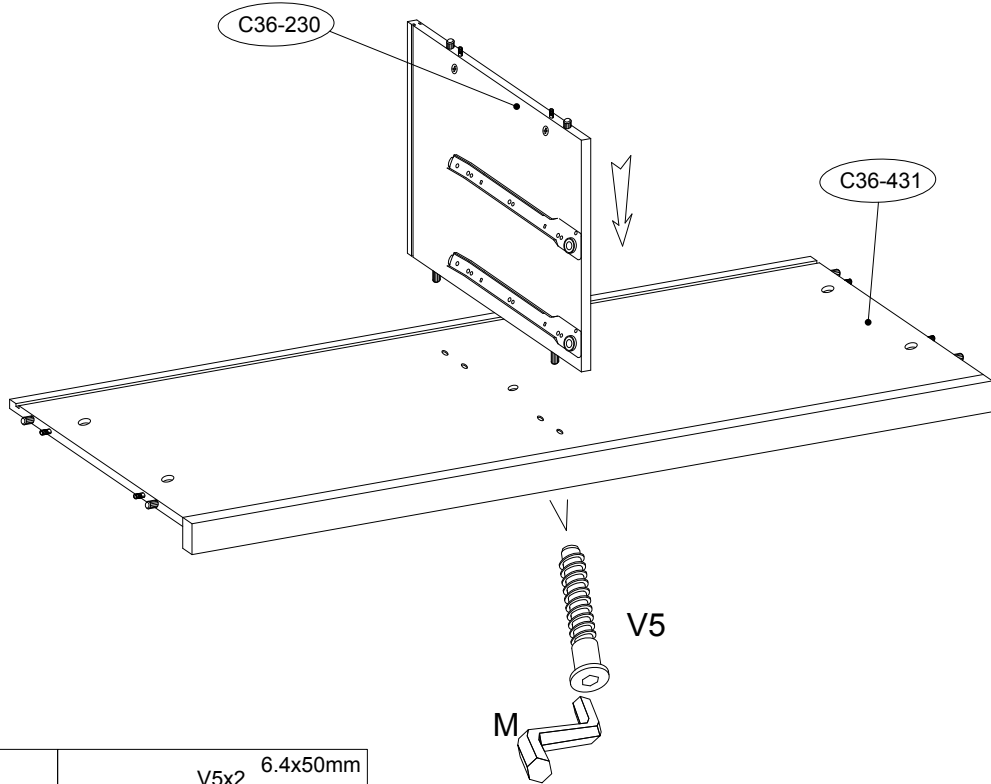
7



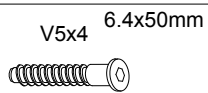
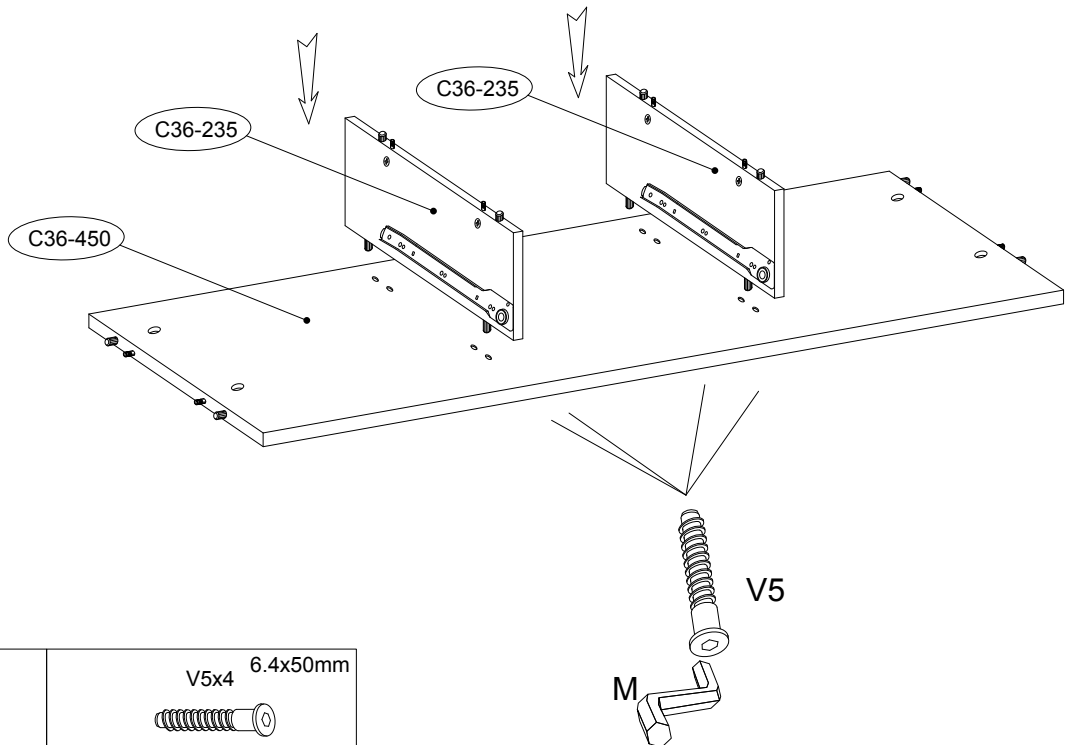
PH3



8

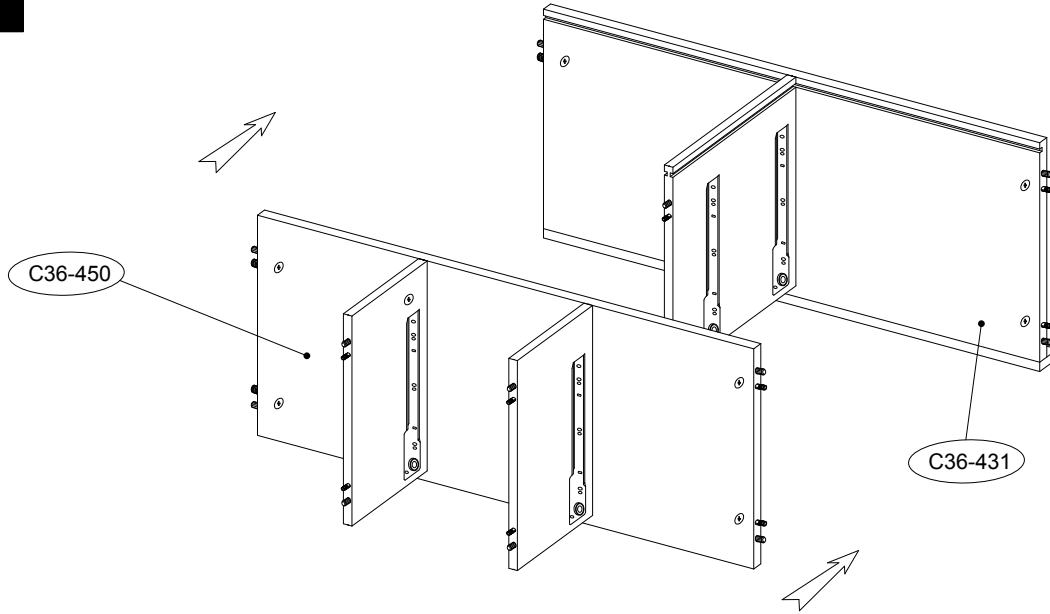
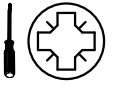


9



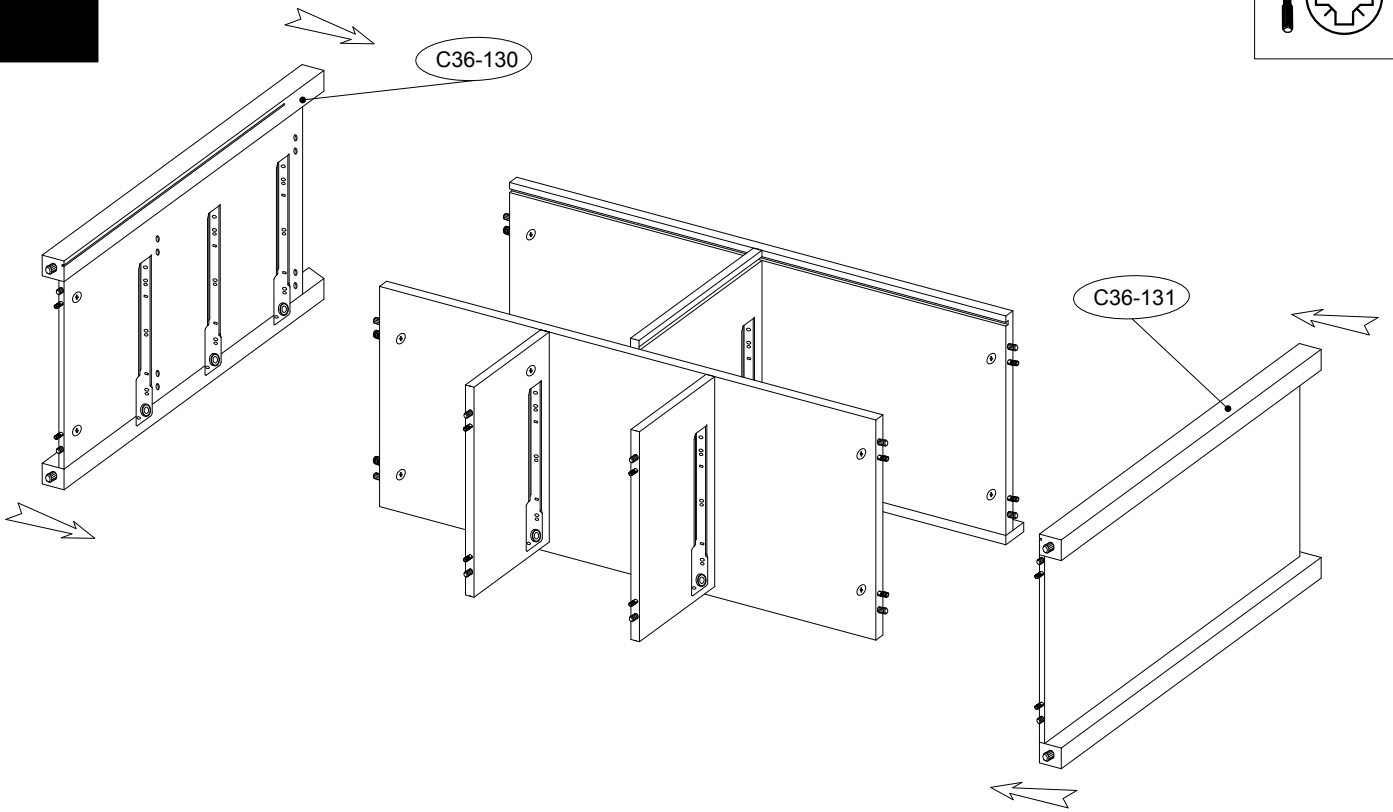
10

PH3



11

PH3



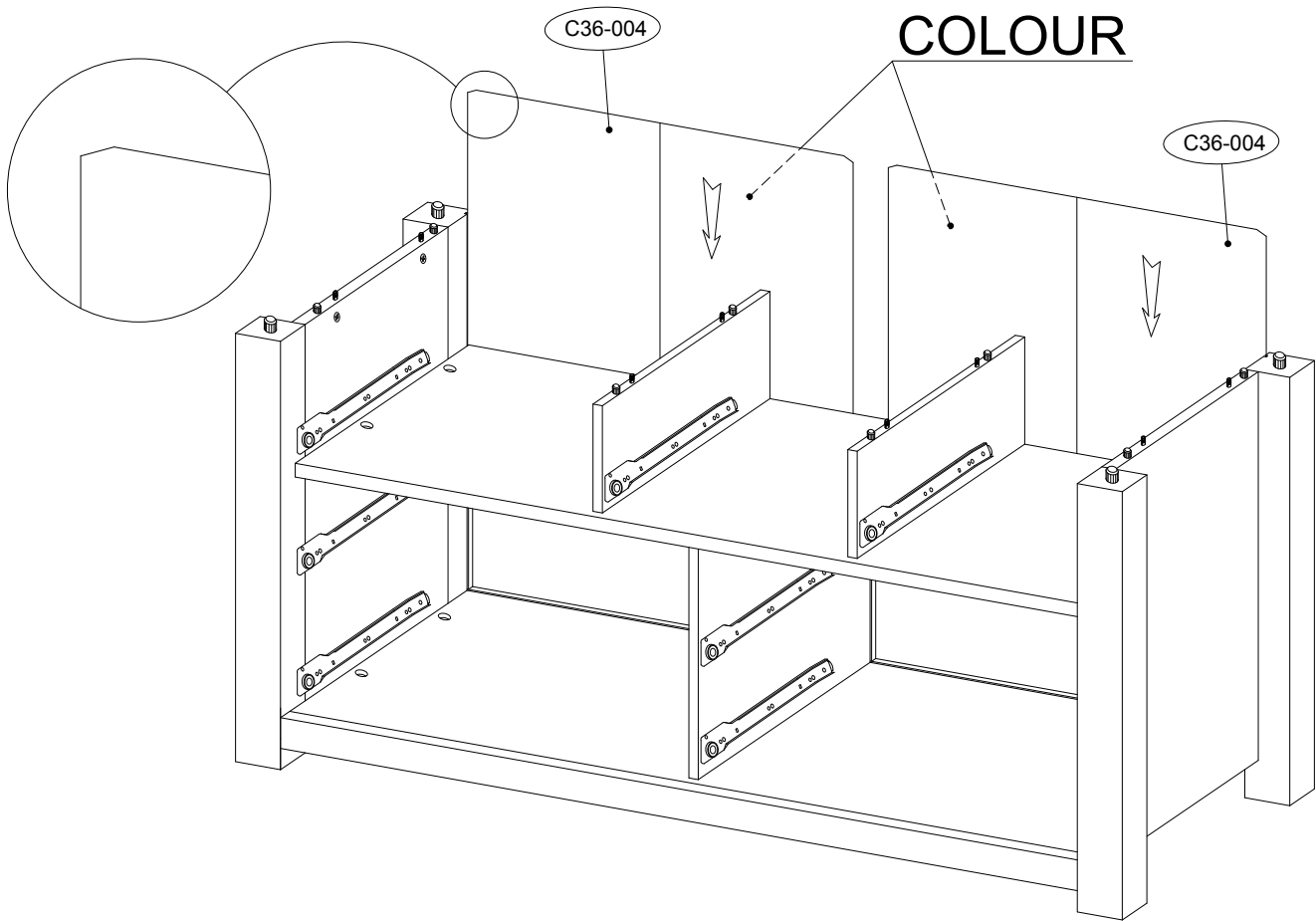
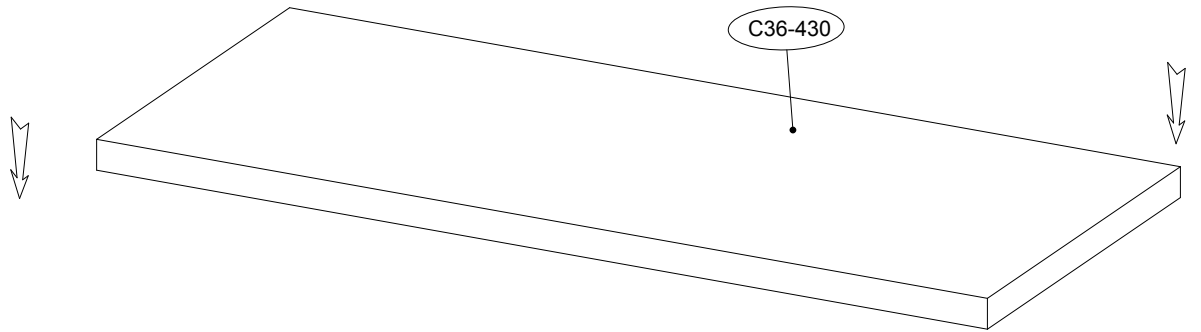
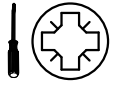
# CUBA WALNUT W CHEST

397597

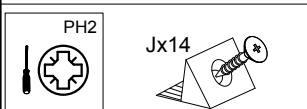
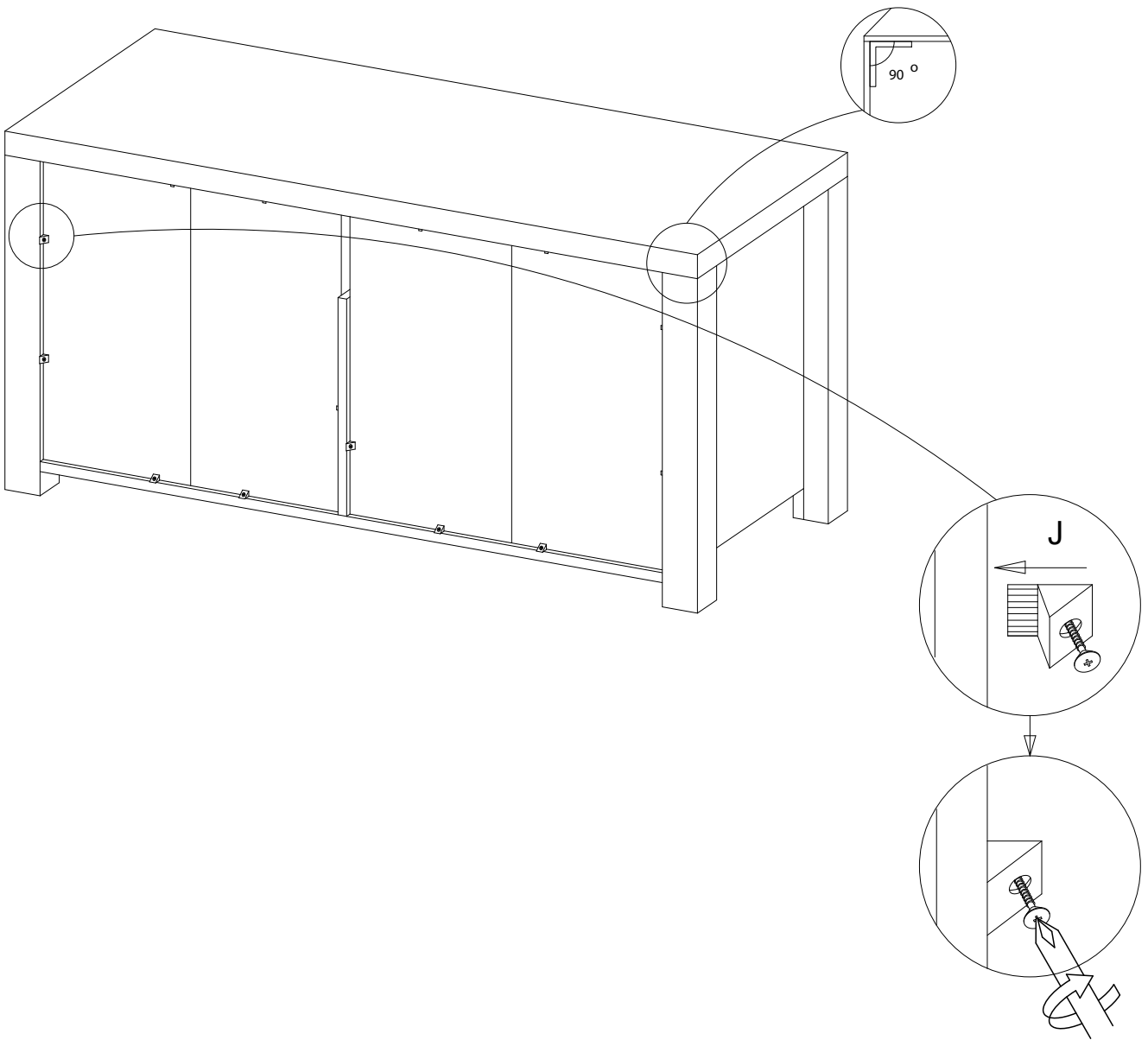
Assembly instructions

12

PH3



13



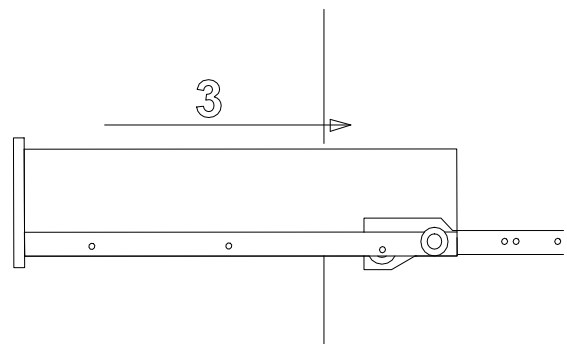
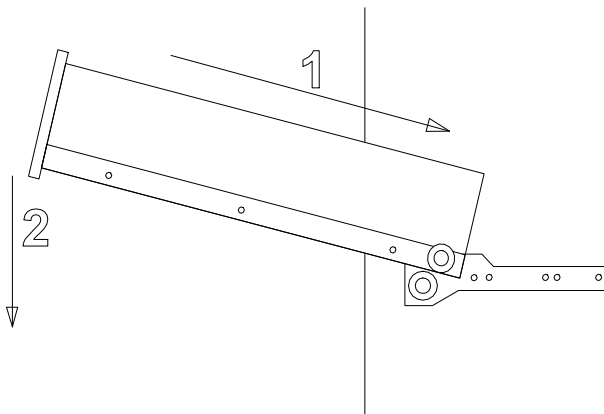
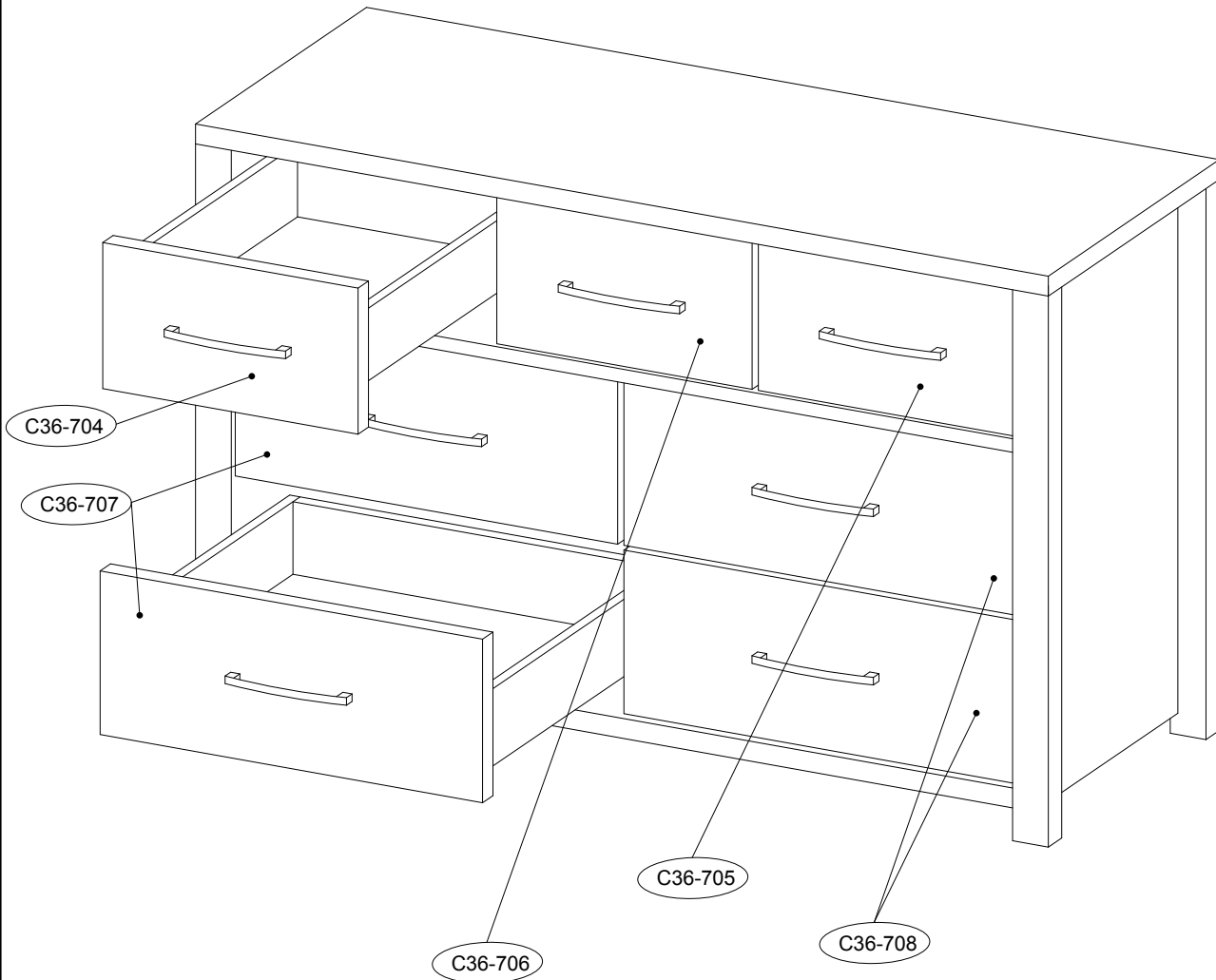


# CUBA WALNUT W CHEST

397597

Assembly instructions

14



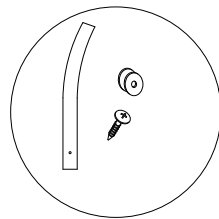
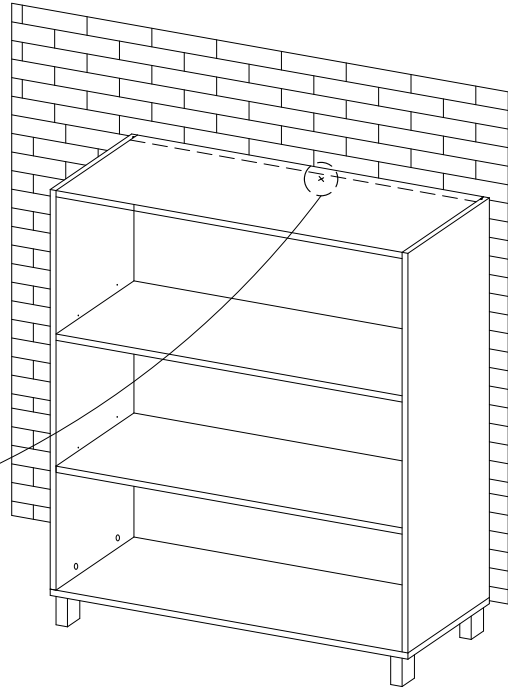
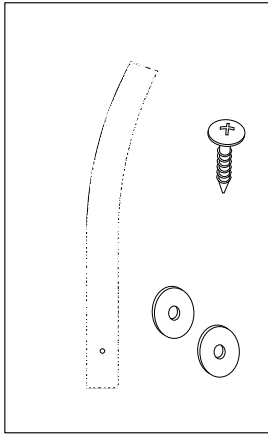
# CUBA WALNUT W CHEST

397597

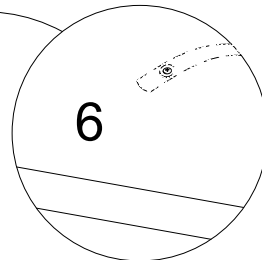
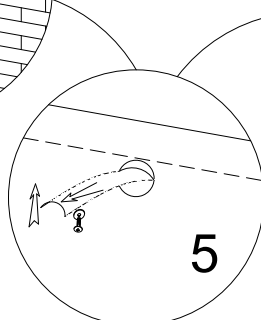
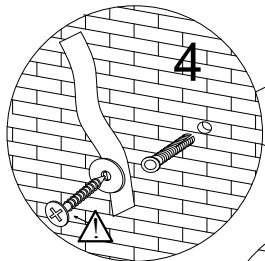
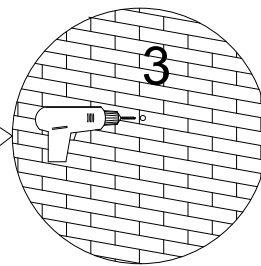
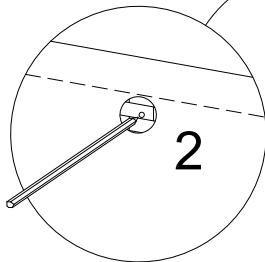
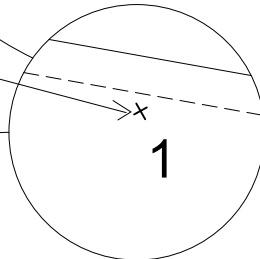
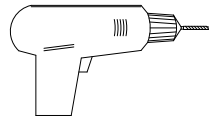
## Assembly instructions

15

We recommend the use of the wall strap provided for safety reasons. Please follow the instructions included with the strap. N.B. Wall fixings are not included please source suitable fixings for your wall type. If in doubt, please consult a qualified tradesperson. **WARNING:** Always ensure the wall to be drilled is free from hidden electrical wires, water and gas pipes. Please read separate instructions contained with this part (Y) on the correct way of securing this strap.



Ø8.0



11x2

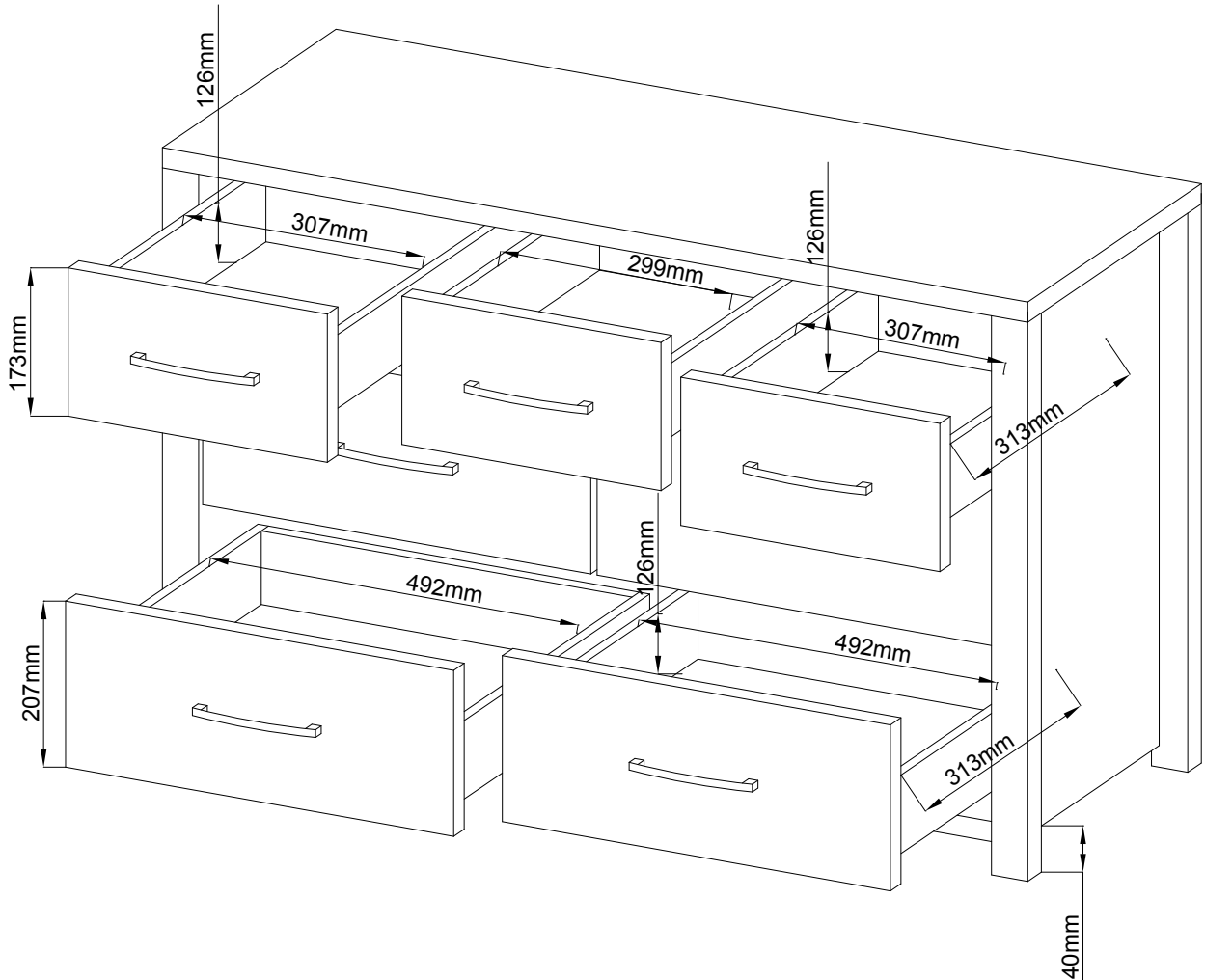




# CUBA WALNUT W CHEST

397597

**Actual product size**  
H77x W125x D44cm

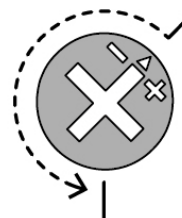


## WHEN LOOSENING THE CAM

TURN THE CAM IN A COUNTERCLOCKWISE DIRECTION UNTIL THE ARROW POINTS IN THE POSITION SHOWN IN THE DIAGRAMS BELOW



MAXIMUM  
LOCK



TURN  
TO UNLOCK



UNLOCKED