

BEFORE YOU GET STARTED...

We're confident you'll love your gorgeous new Next furniture. However, it's worth making absolutely certain before you put it all together.

So, let's quickly run through these three steps:

1. COLOUR

Make sure you're happy with the colour
No need to unpack everything, just check the first component.

2. PROTECTIVE PACKAGING

If you're happy, then it's time to get opening! Start by laying everything out on the protective packaging – this will prevent anything getting scratched.

3. PARTS PAGE

Finally, double check you have all the pieces by referencing the parts page of the instructions.

TIPS FOR RETURNS

Not completely happy with the product? No problem. We just need everything back in the original packaging, so follow the steps below and this will ensure a super-smooth returns process and no delay to your refund.

DO



- Check everything is there (the 'parts page' is a handy checklist).
- Pop all the loose fittings and fixtures into the packaging provided or tie them up in a plastic bag.
- Wrap all the big components back up in the original protective packaging.
- Close up the box and seal it securely (don't be afraid to use plenty of tape).

DON'T



- Leave anything assembled - all components should be dismantled and separately packed.
- Put loose fixtures and fittings straight into the box.
- Throw it back in the box carelessly – as it may get damaged.

next
HOME

Then just give us a call on 0333 777 8999 and we'll sort out a pick up time for you.

next

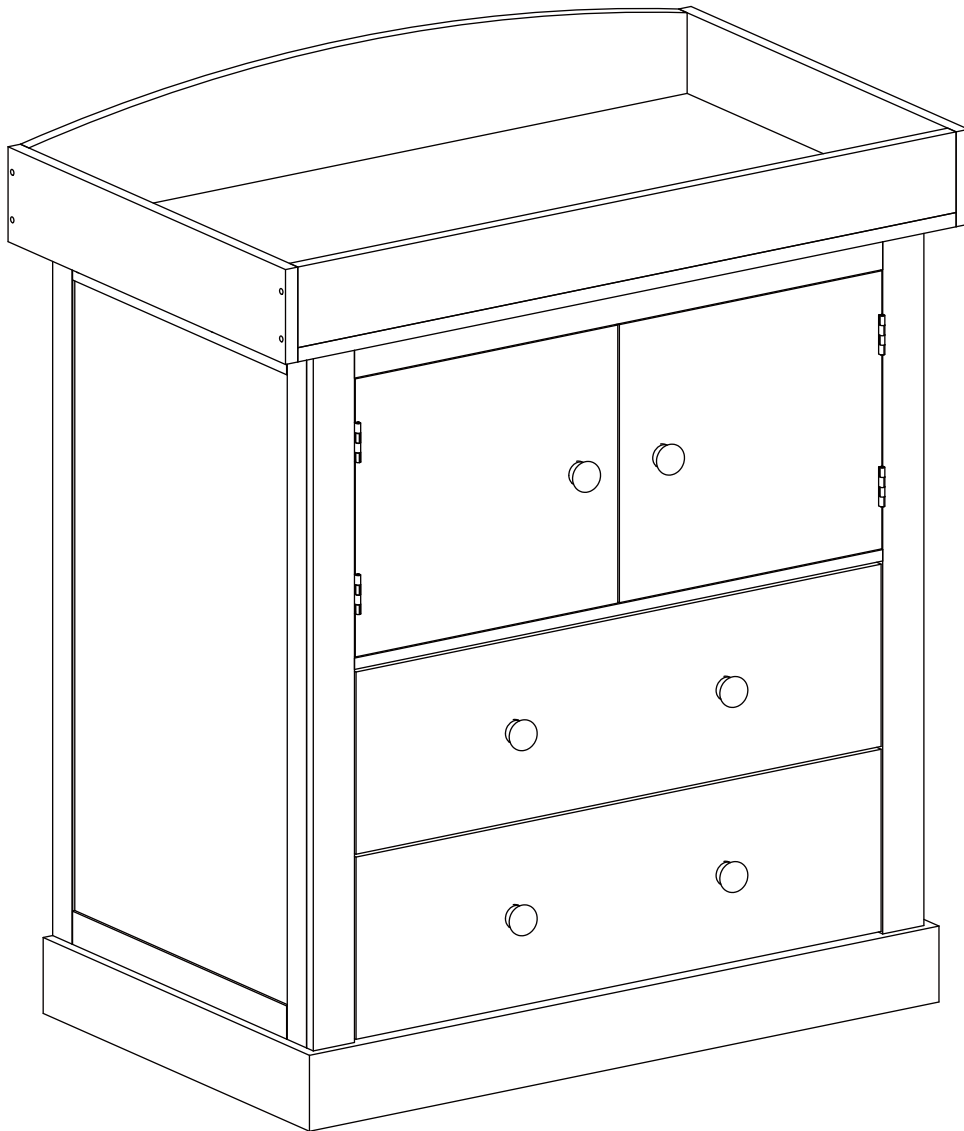
Lulworth Changer Chest

405313

Assembly instructions

Actual product size

H95.5 × W83 × D49.5cm



**IMPORTANT- RETAIN FOR FUTURE
REFERENCE- READ CAREFULLY.**

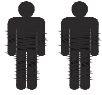
Need Help ?

With: Assembly instruction
Missing or damaged parts

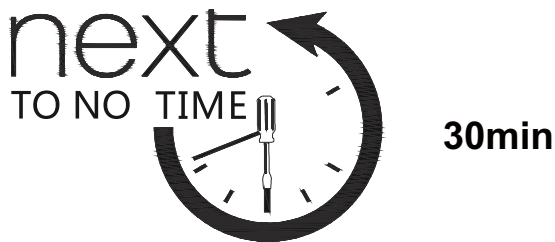
CALL: 0333 777 8999

BEFORE YOU START

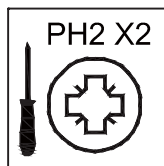
Number of people required to assemble



Time to assemble



Tools required



not supplied

Do's

When you are ready to start, make sure that you have the right tools and plenty of space

Due to the size of the product we recommend that it is assembled in the room intended for use

Unwrap all packaging materials and place the components on a clean surface to protect it from damage,

We recommend that the packaging is used to protect the surfaces during assembly

Carefully check that you have all the parts before beginning assembly

Please periodically check all fittings and re-tighten as necessary. Please do not drag or pull your furniture

Wipe occasionally with a soft cloth slightly dampened with water. Then buff with a dry clean soft cloth

We recommend a changing pad of L77cm x W46cm

Place your item on a stable surface

Take care that no screws are loose, because a child could trap parts of the body or clothing, which could pose a risk of strangulation

Do not rub or scrub the surface when cleaning.

Any spills should be removed immediately with a soft clean damp cloth and dried immediately.

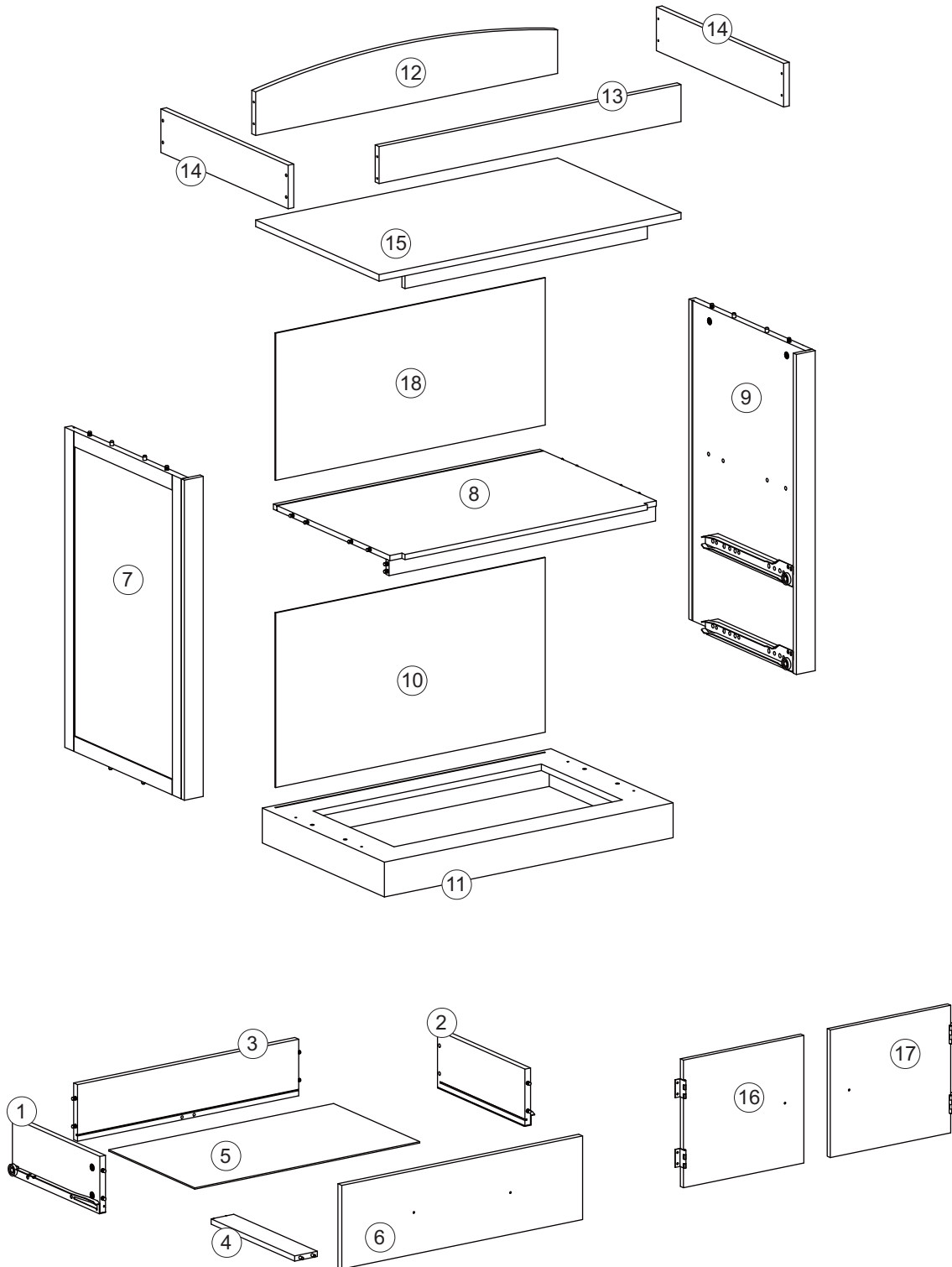
Don'ts

Never allow any kind of liquid to remain on the furniture. Absorption can cause wood to warp or finishes to de-laminate

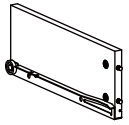
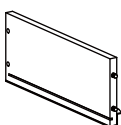
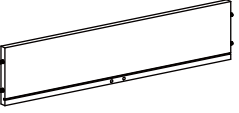


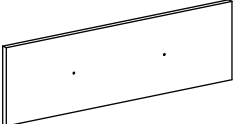
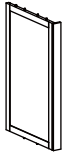
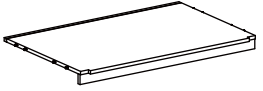

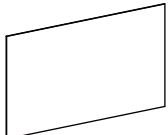
Do not place your changer or dresser in the close proximity of an open fire and the sources of heat, such as radiators, electric or gas fires

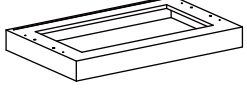


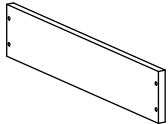
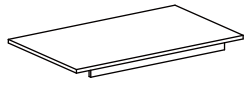
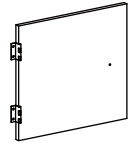
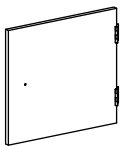
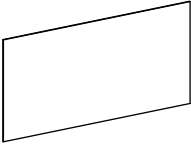
Do not place your changer or dresser in the close proximity of windows

GETTING TO KNOW YOUR PRODUCT



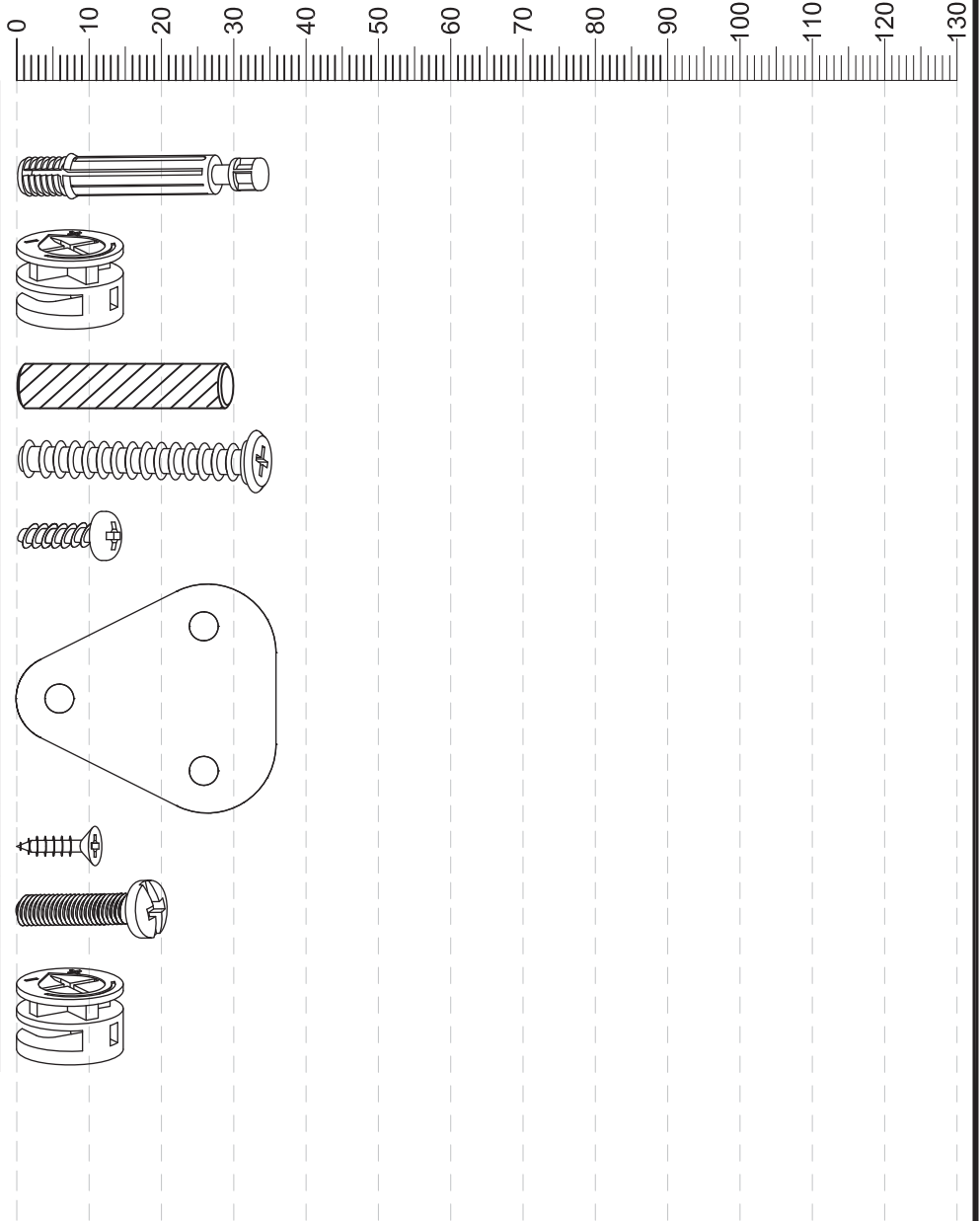
Components supplied. Please use this guide if you require replacement parts.

Ref	Dimensions	Visual	Qty	Ctn
1	34 x 13 cm		2	1
2	34 x 13 cm		2	1
3	59 x 13 cm		2	2
4	32.8 x 5 cm		2	2
5	60 x 33.8 cm		2	2
6	64 x 19.3 cm		2	2
7	73.5 x 46.4 cm		1	1
8	70.5 x 46.5 cm		1	2
9	73.5 x 46.4 cm		1	1
10	71.5 x 40 cm		1	2

Ref	Dimensions	Visual	Qty	Ctn
11	76.5 x 48 cm		1	1
12	80 x 14 cm		1	2
13	80 x 8.5 cm		1	2
14	49.8 x 10 cm		2	2
15	80 x 48 cm		1	2
16	32 x 29.2 cm		1	2
17	32 x 29.2 cm		1	2
18	71.5 x 34 cm		1	2

Fixtures and fittings supplied (actual size)

Ref	Dimensions	Qty	Spare Qty
G1	Ø8 x 38mm	N/A	2
C1	Ø15 x 10mm	N/A	1
D1	Ø6 x 30mm	N/A	2
S1	Ø5 x 35mm	12	2
S4	Ø4 x 10mm	12	2
T2	36 x 32mm	4	N/A
S3	Ø3 x 12mm	8	1
B6	Ø4 x 15mm	6	1
C2	Ø15 x 12mm	N/A	1



Fixtures and fittings supplied (not to scale)

Ref	Dimensions	Qty	Spare Qty	Visual
L1	N/A	6	N/A	
H1	N/A	N/A	N/A	

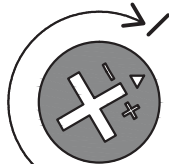
1

WHEN TIGHTENING THE CAM

TURN THE CAM IN A CLOCKWISE DIRECTION UNTIL THE ARROW POINTS IN THE POSITIONS SHOWN IN THE DIAGRAMS BELOW



START



MAXIMUM LOCK

WHEN LOOSENING THE CAM

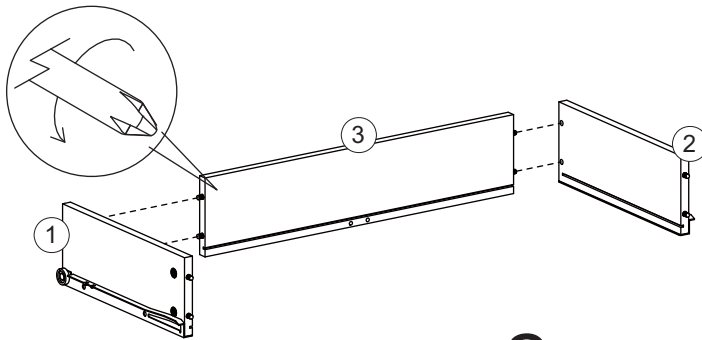
TURN THE CAM IN A COUNTERCLOCKWISE DIRECTION UNTIL THE ARROW POINTS IN THE POSITION SHOWN IN THE DIAGRAMS BELOW



MAXIMUM LOCK

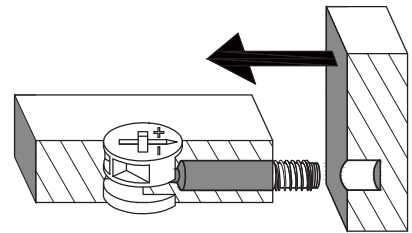


UNLOCKED

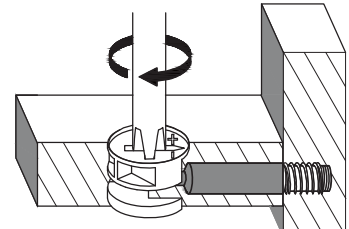


x 2

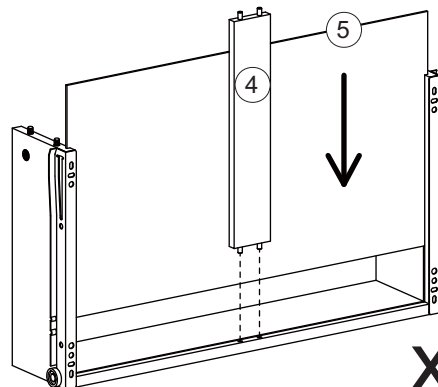
PUSH THE TWO PANELS TOGETHER ALLOWING THE DOWEL TO ALIGN WITH THE HOLE



TURN THE CAM IN A CLOCKWISE DIRECTION

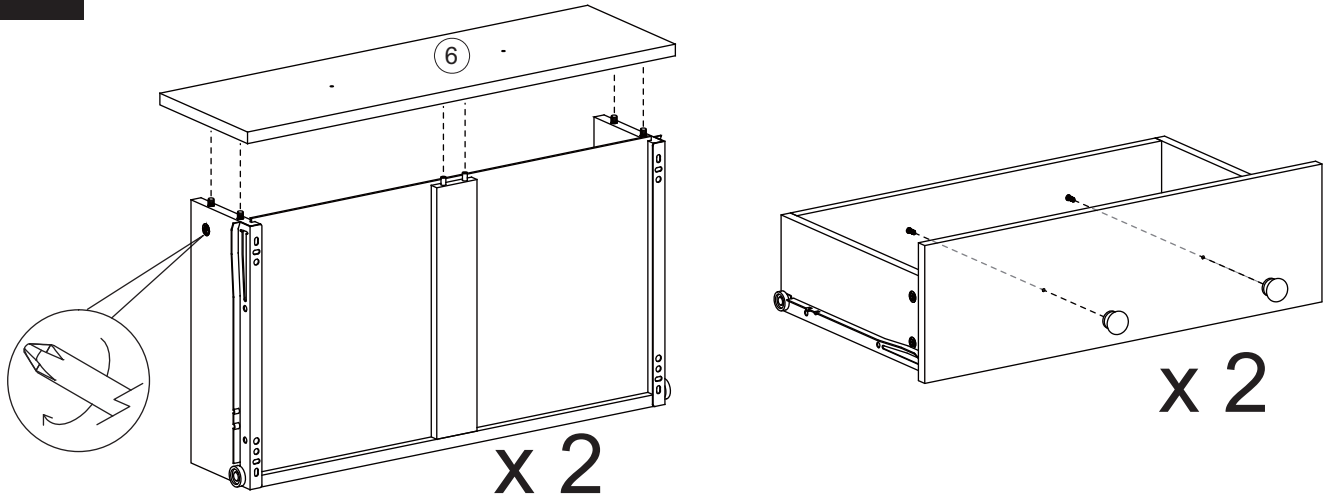





2



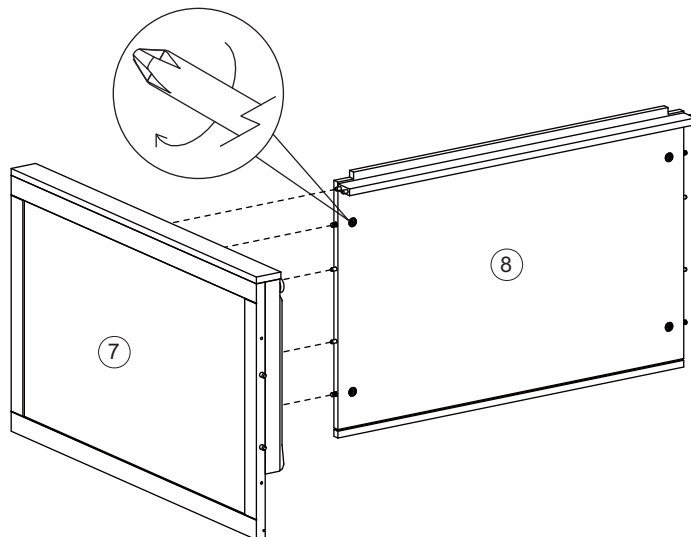
x 2

3

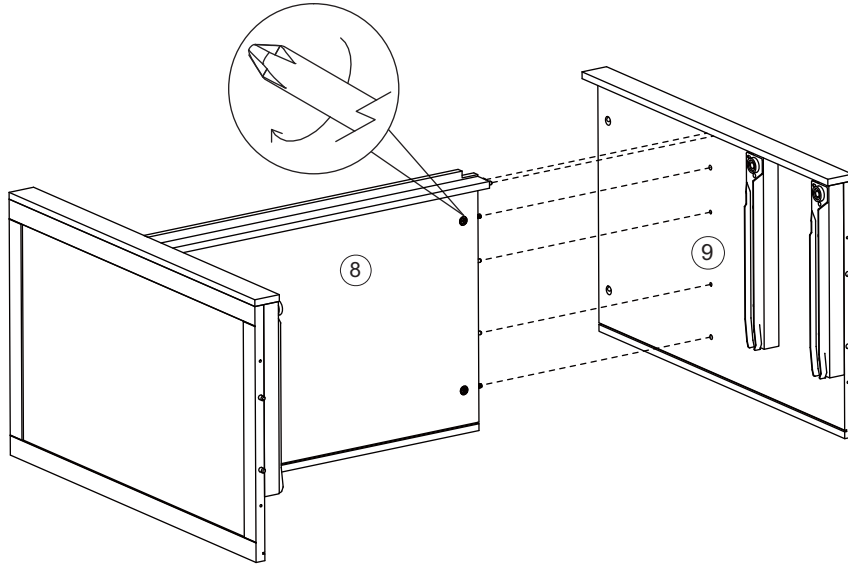


B6	Ø4 x 15mm	4	  not supplied
L1	N/A	4	

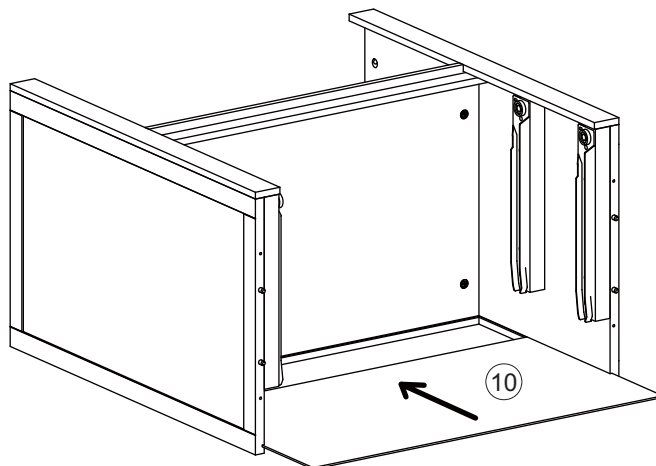
4



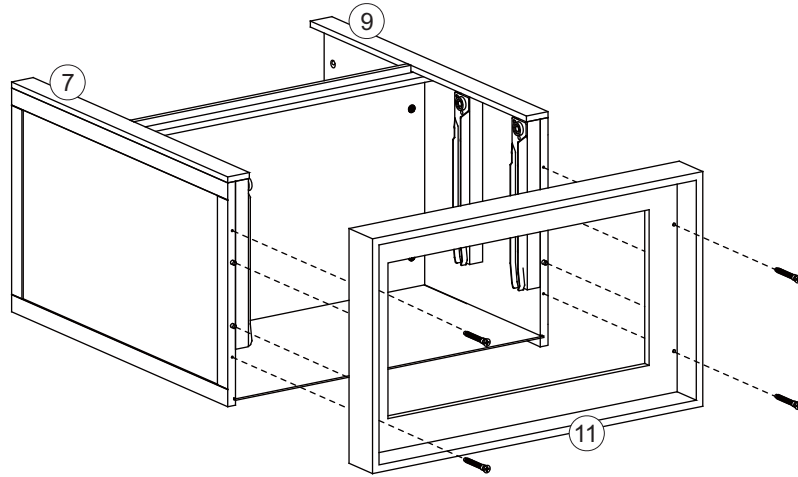
5



6



7



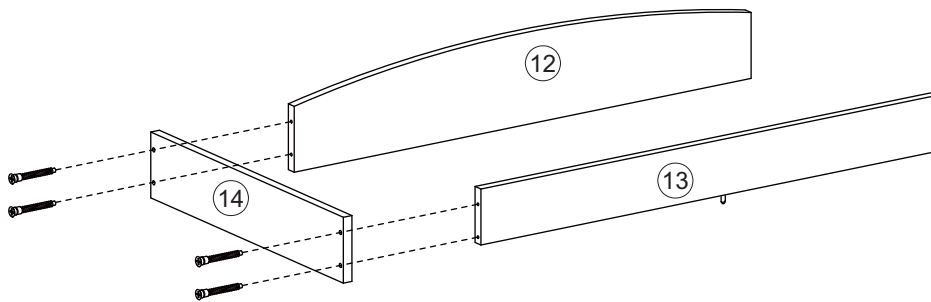
S1 Ø5 x 35mm

4



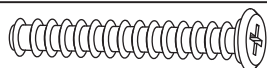
PH2
not supplied

8



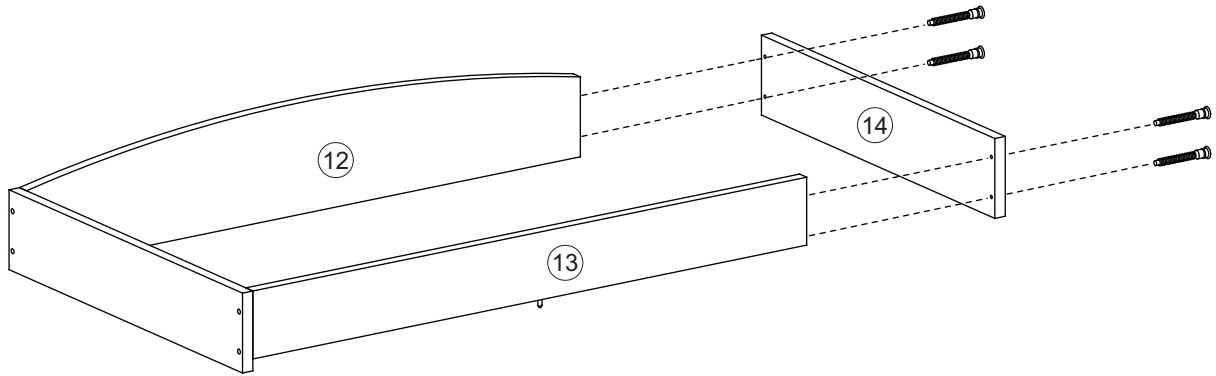
S1 Ø5 x 35mm



4



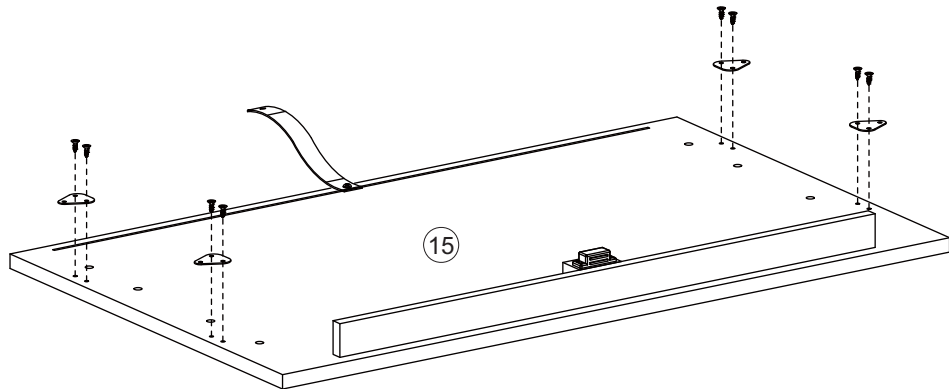
PH2
not supplied



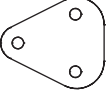
9



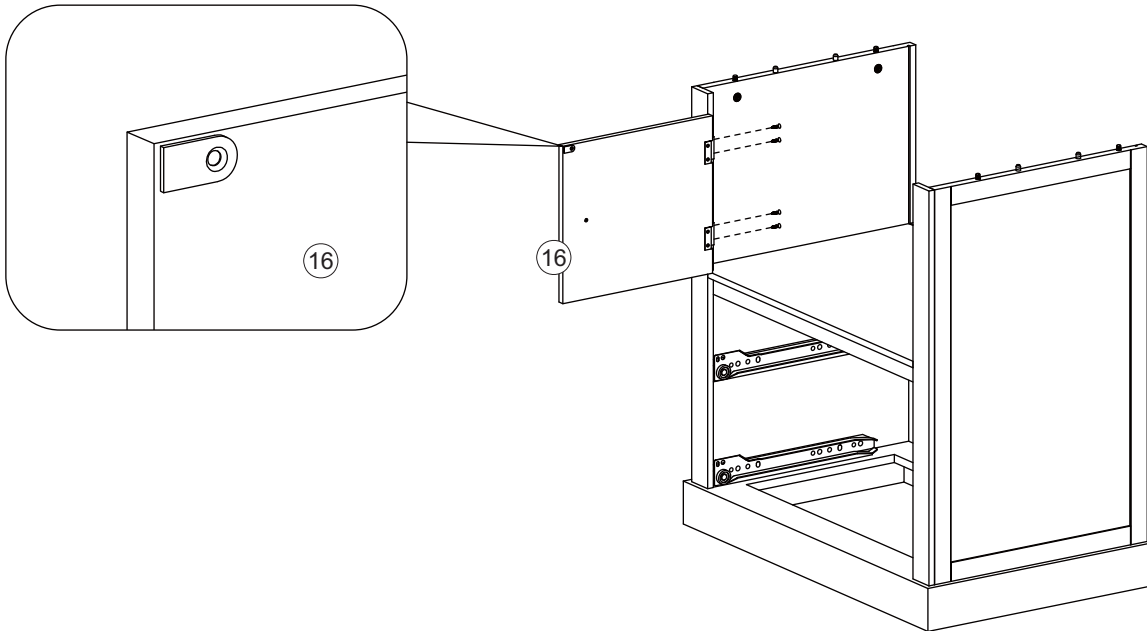
S1	Ø5 x 35mm	4		 not supplied
----	-----------	---	---	---

10



S4	Ø4 x 10mm	8		 not supplied
T2	36 x 32mm	4		

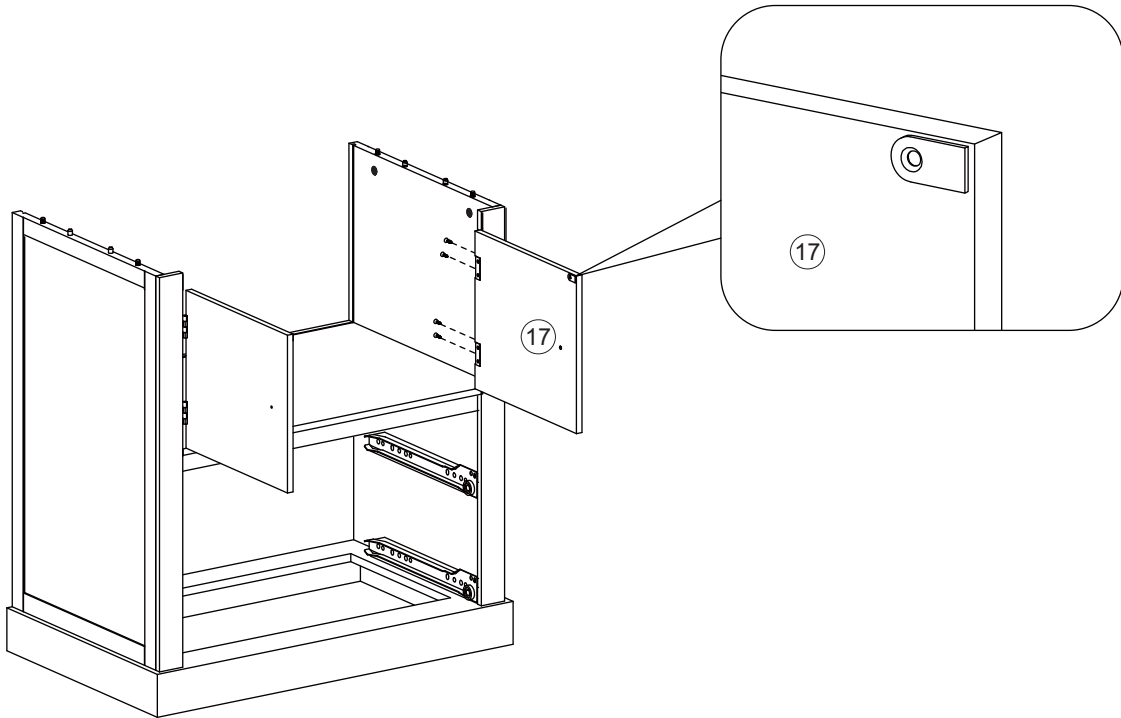
11



S3 Ø3 x 12mm 4



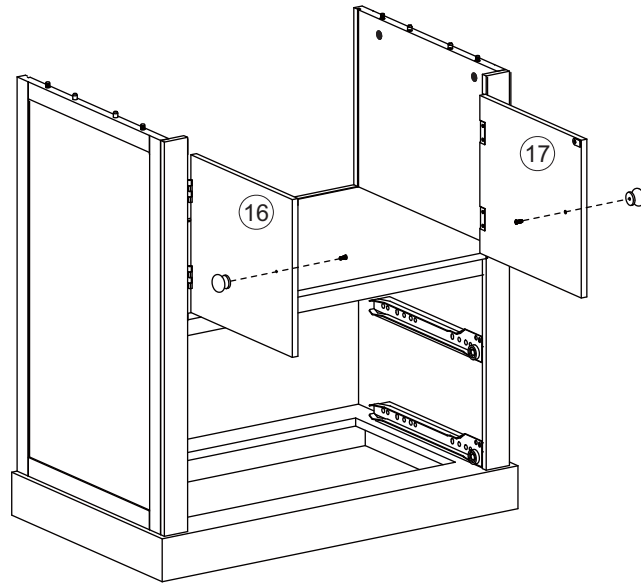
12






S3 Ø3 x 12mm 4

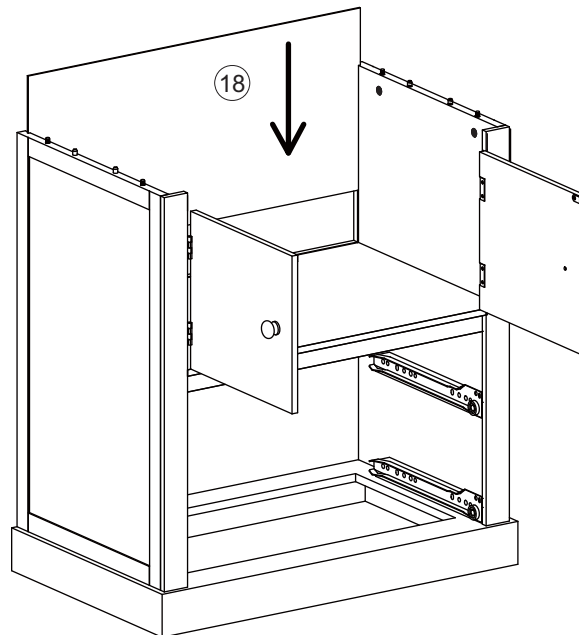


13

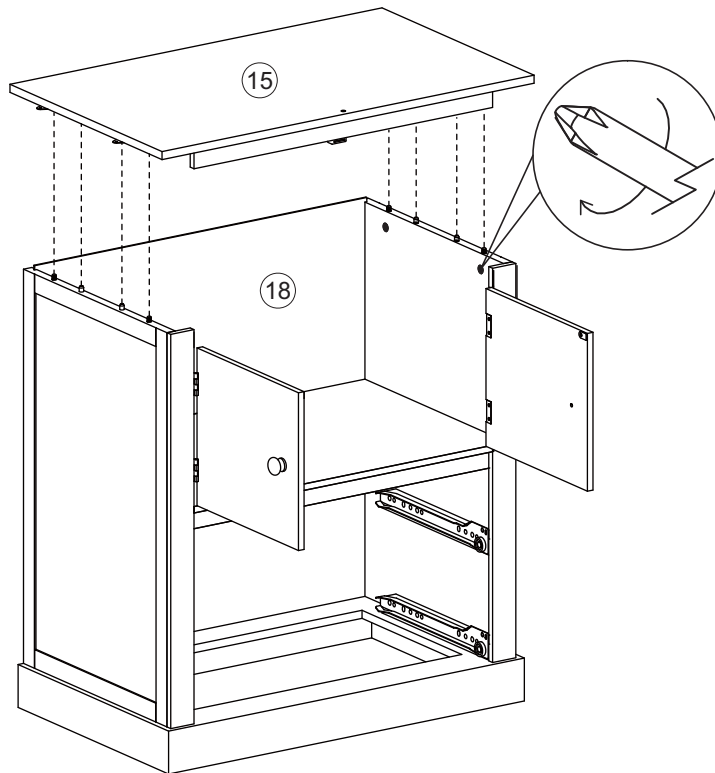


B6	Ø4 x 15mm	2		 not supplied
L1	N/A	2		

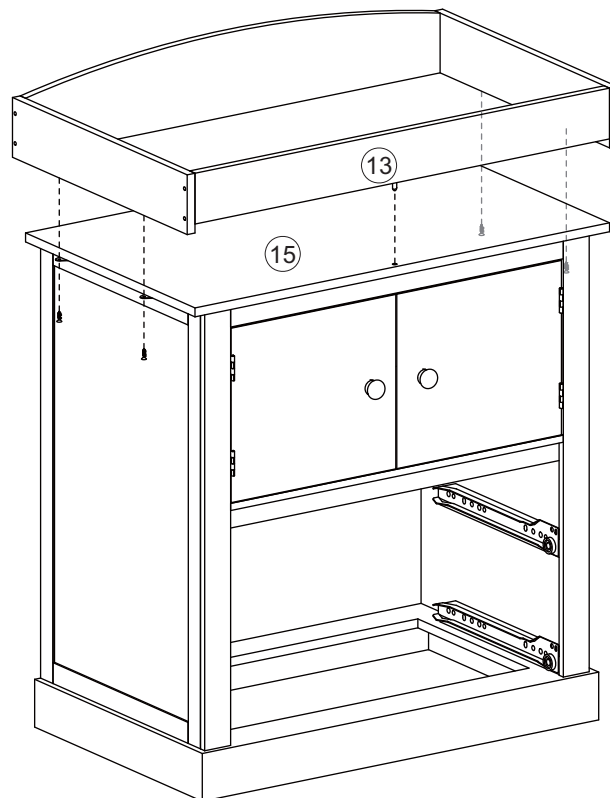
14



15

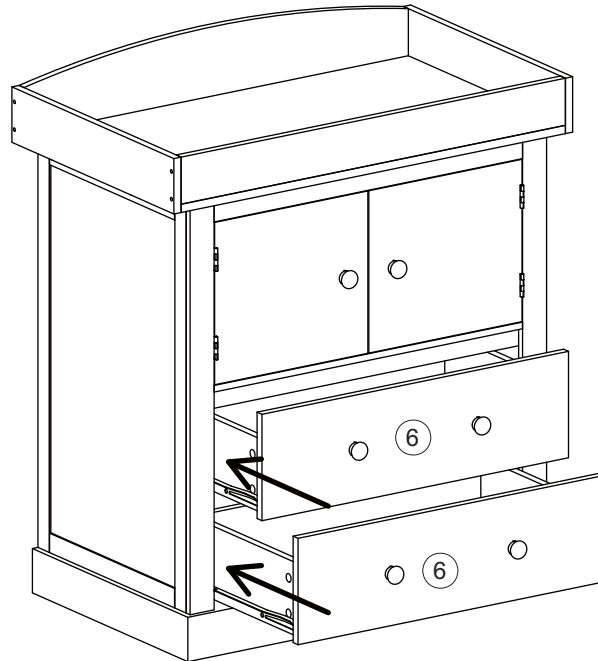


16



S4	Ø4 x 10mm	4		 not supplied
----	-----------	---	---	---

17



18

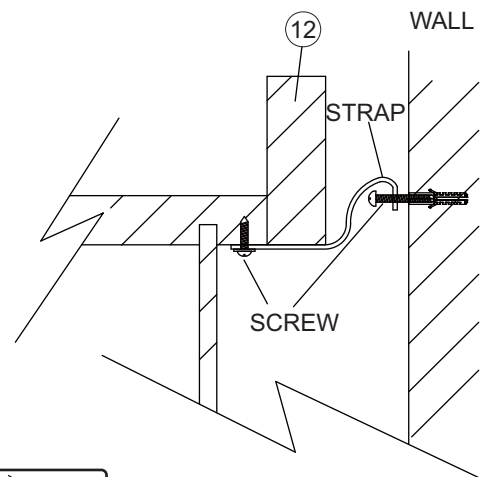
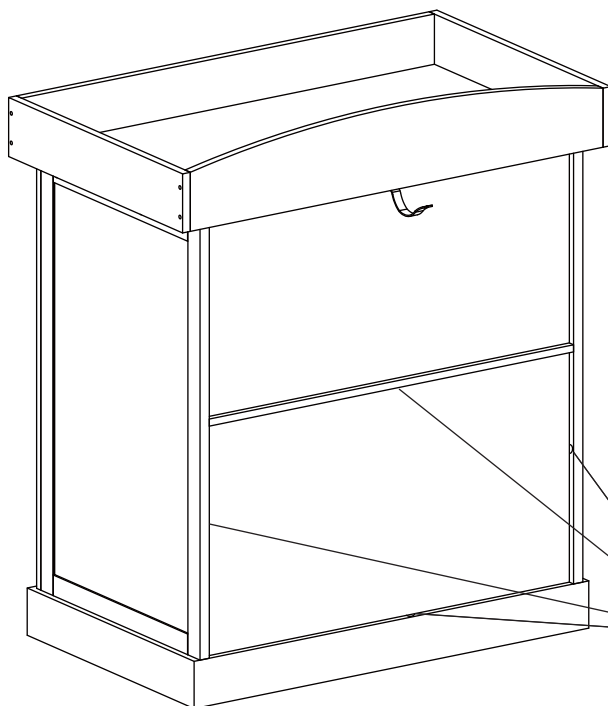
We recommend the use of the wall attachment bracket/strap provided for safety reasons. Secure the other end of the strap to the wall with an appropriate screw and wall plug for your wall type (not provided).

To hide the strap behind the unit .drill the hole lower than the top of unit.

Warning: Always ensure intended wall area to be drilled is free from hidden electrical wires,water and gas pipes.

NB:Wall fixings are not included,Please source suitable fixing for your wall type.

If in doubt please consult a qualified trades person.



next

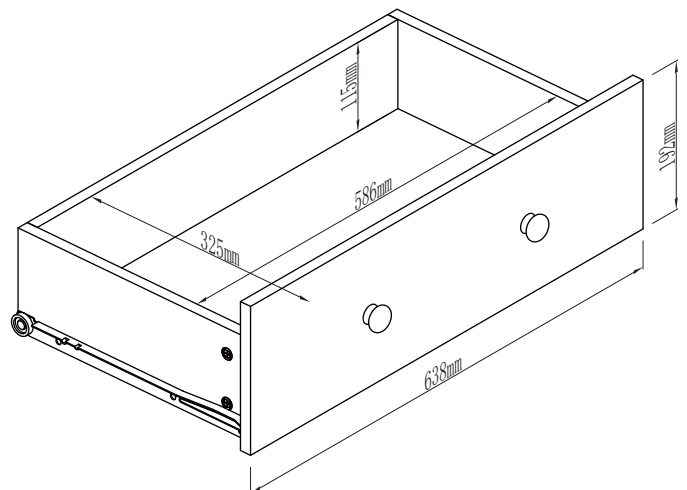
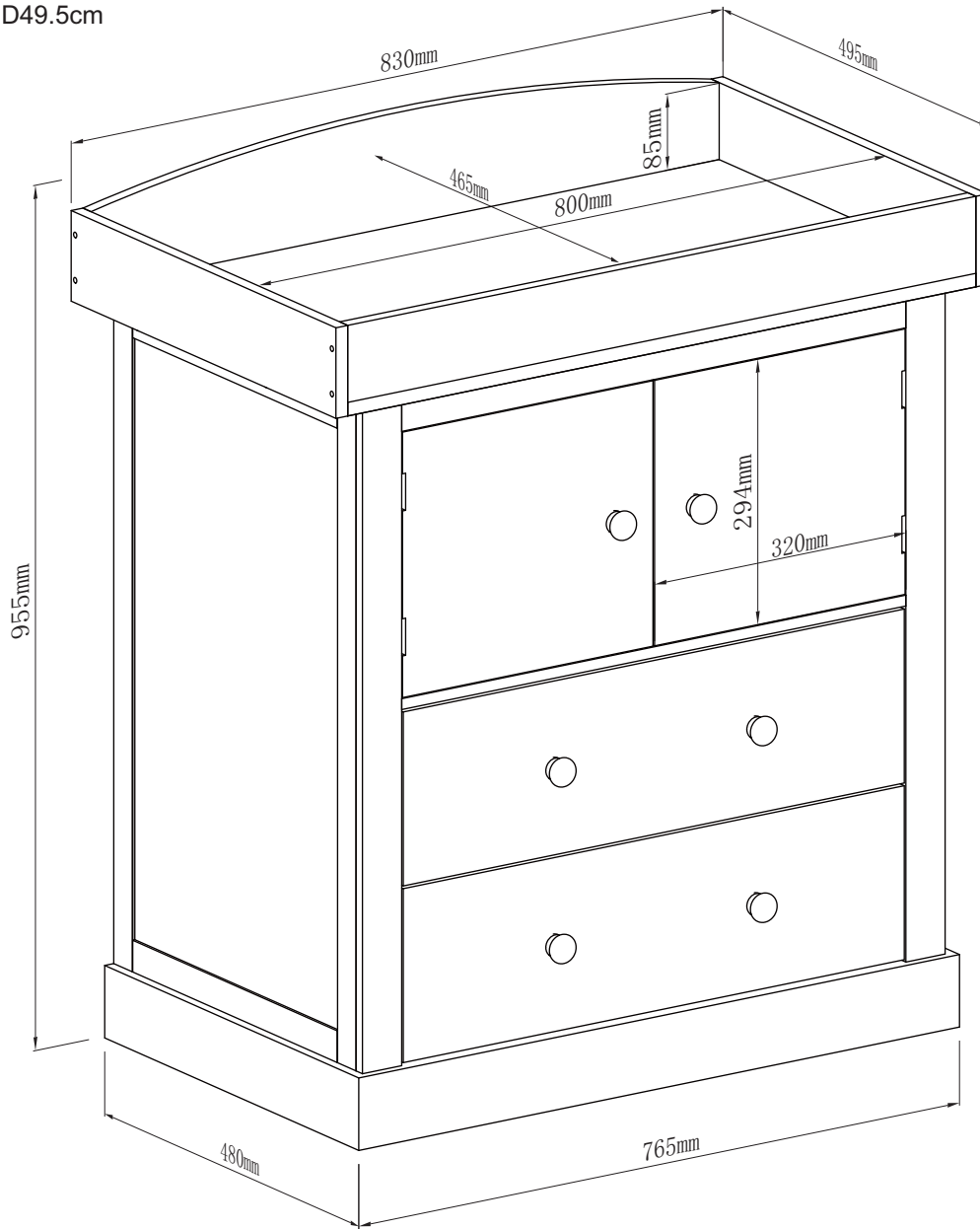
Lulworth Changer Chest

405313

Assembly instructions

Actual product size

H95.5 × W83 × D49.5cm



IMPORTANT - RETAIN FOR FUTURE REFERENCE - READ CAREFULLY.

This product complies with BS EN 12221:2008+A1:2013

Warnings

WARNING: Do not leave your child unattended, your child's safety is your responsibility

WARNING: Do not use the item if any part is broken, torn or missing.

WARNING: There are many small components used in the construction of this item, these components should be kept out of reach of young children whilst assembling the unit.

WARNING: All assembly fittings should be tightened properly before use and should be periodically checked and re-tightened if required.

WARNING: Be aware of the risk of open fires and other sources of strong heat, such as electric bar fires, gas fires, etc. in the near vicinity of the changing unit.

WARNING: This product should not be dismantled for purposes of transportation or storage.

WARNING: This product is suitable for children up to the age of 12 months / 11kg

Missing parts

If you are missing any fixtures and fittings for your product.
Please contact our customer service team on 0333 777 8999
and they will be happy to arrange for a replacement to be sent
to you free of charge.

Home service technicians

If you have a fault with your product, please contact our customer service team on 0333 777 8999. If you have had the product for 28 days or less you may be offered a replacement refund or for a fully trained home service technician to visit your home to assess the fault and repair the product where possible. If you have had the product for more than 28 days we will send an independent home service technician to review and repair the product where possible and recommend further action.

You can write to us at

Home Customer Services
Next Retail Ltd.
Desford Road,
Leicester,
LE19 4AT

To view our full furniture range please visit www.next.co.uk