

BEFORE YOU GET STARTED...

We're confident you'll love your gorgeous new Next furniture. However, it's worth making absolutely certain before you put it all together.

So, let's quickly run through these three steps:

1. COLOUR

Make sure you're happy with the colour
No need to unpack everything, just check the first component.

2. PROTECTIVE PACKAGING

If you're happy, then it's time to get opening! Start by laying everything out on the protective packaging – this will prevent anything getting scratched.

3. PARTS PAGE

Finally, double check you have all the pieces by referencing the parts page of the instructions.

TIPS FOR RETURNS

Not completely happy with the product? No problem. We just need everything back in the original packaging, so follow the steps below and this will ensure a super-smooth returns process and no delay to your refund.

DO



- Check everything is there (the 'parts page' is a handy checklist).
- Pop all the loose fittings and fixtures into the packaging provided or tie them up in a plastic bag.
- Wrap all the big components back up in the original protective packaging.
- Close up the box and seal it securely (don't be afraid to use plenty of tape).

DON'T



- Leave anything assembled - all components should be dismantled and separately packed.
- Put loose fixtures and fittings straight into the box.
- Throw it back in the box carelessly – as it may get damaged.

next
HOME

Then just give us a call on 0333 777 8999 and we'll sort out a pick up time for you.

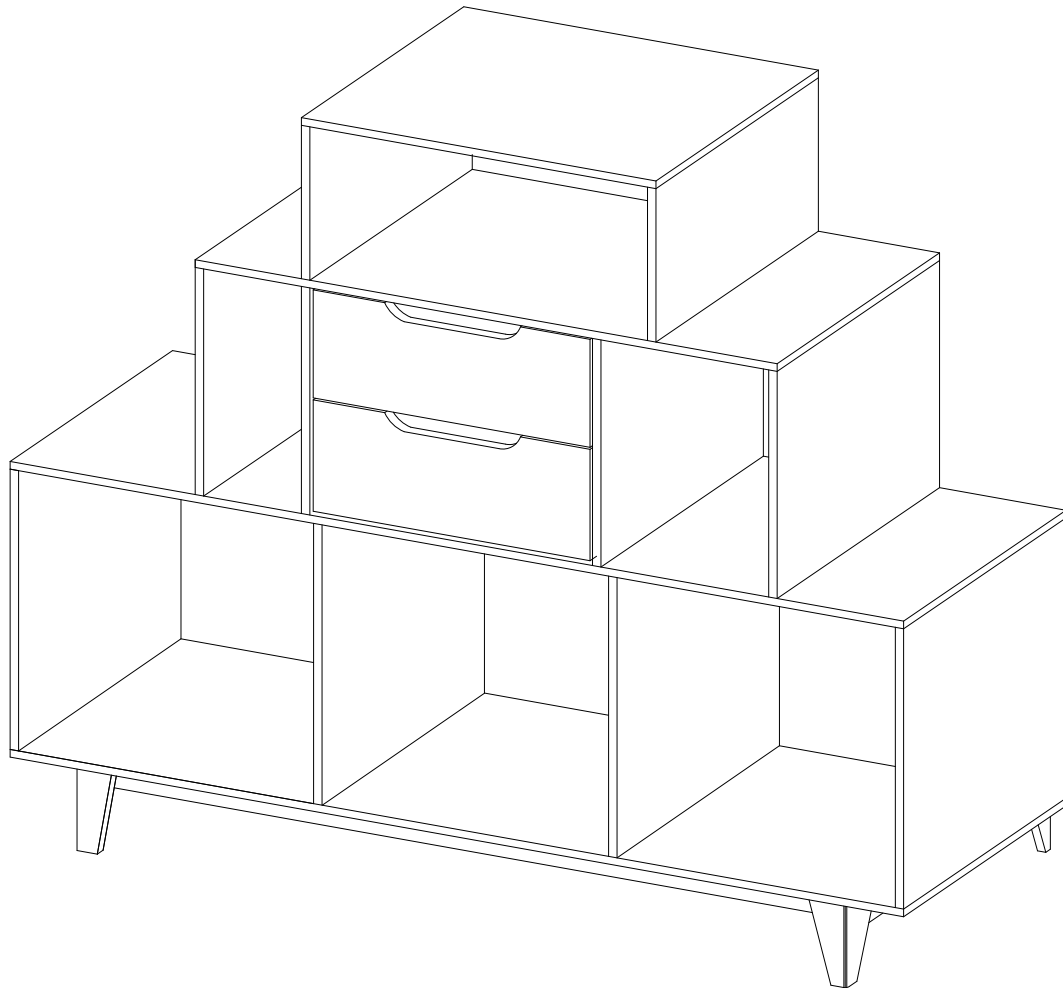


COMPTON WHITE TIERED SHELVING UNIT

406366

Assembly instructions

Actual product size
H94 x W102 x D40cm



Need Help?

With: Assembly instructions
Missing or damaged parts

IMPORTANT - RETAIN FOR FUTURE REFERENCE

CALL: 0333 777 8999



COMPTON WHITE TIERED SHELVING UNIT

406366

Assembly instructions

BEFORE YOU START

Warnings

We suggest you retain these instructions for future reference

Keep fittings out of children's reach and keep children well away from the construction area.

This product should only be used on firm, level ground

Please periodically check all fittings and re-tighten as necessary

Please do not sit or stand on your table

Avoid exposing the furniture to excessive heat or direct sunlight as this can cause cracking of the wood and deterioration of the colour

Unwrap all packaging materials and place the components on top of the carton box or on a clean floor to protect it from damage

Do's

We suggest you spend a short time reading through this leaflet before you start.

When you are ready to start, make sure that you have the right tools and plenty of space.

Unwrap all packaging materials and place the components on a clean surface to protect it from damage,

We recommend that the packaging is used to protect the surfaces during assembly.

Carefully check that you have all the parts before beginning assembly.

Due to the size of the product we recommend that it is assembled in the room intended for use.

Ensure the product is fully assembled as illustrated and all fixings fully tightened before use. Check fixings regularly to ensure they remain tight

To clean your item, please use a soft cloth slightly dampened with water and wipe clean. Then buff with a dry clean cloth.

Wood will mellow and change colour over time, we recommend that ornaments and items placed on the surface are moved regularly for the first few months to prevent uneven mellowing.

Don'ts

When moving furniture never drag the pieces across the floor, as this will cause damage to the joints

Apply Adhesive substrates for example, sticky tape to the product

Do not use silicone based furniture polish. Silicone in furniture polishes can break down the lacquer finish.

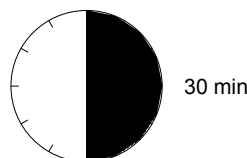
Never allow any kind of liquid to remain on your furniture. Absorption can cause wood to warp or finishes to de-laminate and or stain

Ensure that the product is protected with mats & coasters when items are placed on its surface. Never put hot dishes directly on to wooden or glass surfaces as this may mark the furniture

Number of people required to assemble

Two persons are required to assemble this item.

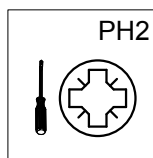
Time to assemble



30 min



Tools required



not supplied

Missing parts

If you are missing any fixtures and fittings for your product please contact our customer service team on 0333 777 8999 and they will be happy to arrange for a replacement to be sent to you free of charge.

Home service technicians

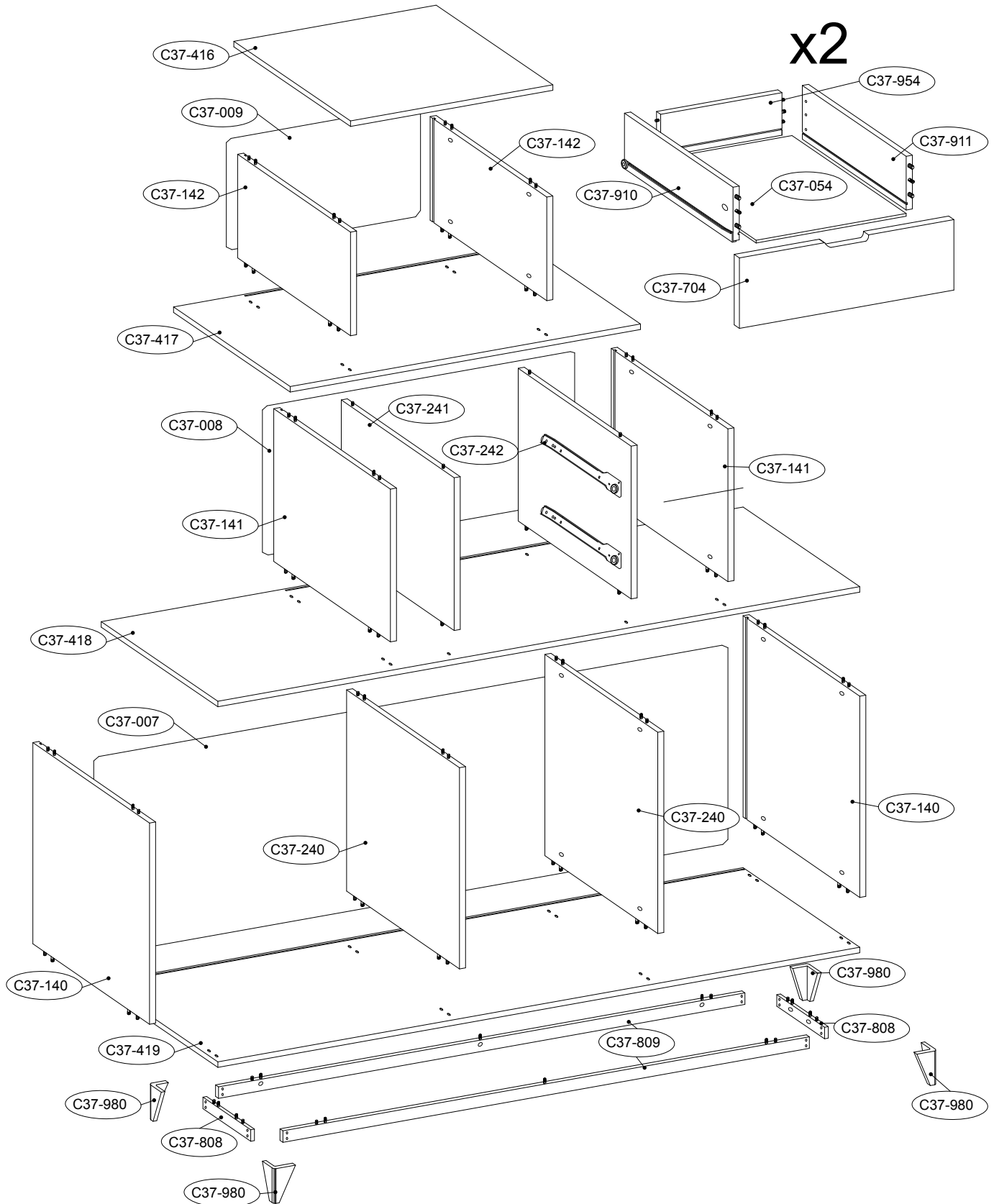
If you have a fault with your product please contact our customer service team on 0333 777 8999. If you have had the product for 28 days or less you may be offered a replacement, refund or for a fully trained home service technician to visit your home to assess the fault and repair the product where possible. If you have had the product for more than 28 days we will send an independent home service technician to review and repair the product where possible and recommend further action.

You can write to us at

Home Customer Services
Next Retail Ltd,
Desford Road,
Leicester,
LE19 4AT

To View our full furniture range please visit www.next.co.uk

GETTING TO KNOW YOUR PRODUCT





COMPTON WHITE TIERED SHELVING UNIT

406366

Assembly instructions

Components supplied. Please use this guide if you require replacement parts.

Ref	Dimensions	Visual	Qty	Ctn
C37-416	46 x 40cm		1	1
C37-417	70 x 40cm		1	1
C37-418	102 x 40cm		1	2
C37-419	102 x 40cm		1	2
C37-140	32 x 40cm		2	1
C37-240	32 x 39cm		2	1
C37-141	24 x 40cm		2	2
C37-241	24 x 39cm		1	2
C37-242	24 x 39cm		1	2
C37-142	19 x 40cm		2	1
C37-704	35 x 11cm		2	1
C37-910	35 x 10cm		2	1
C37-911	35 x 10cm		2	1
C37-954	30 x 10cm		2	1
C37-054	31 x 34cm		2	1
C37-808	29 x 4cm		2	2
C37-809	82 x 4cm		2	2
C37-980	12 x 7cm		4	1
C37-007	100 x 33cm		1	2
C37-008	68 x 24cm		1	2
C37-009	44 x 20cm		1	2



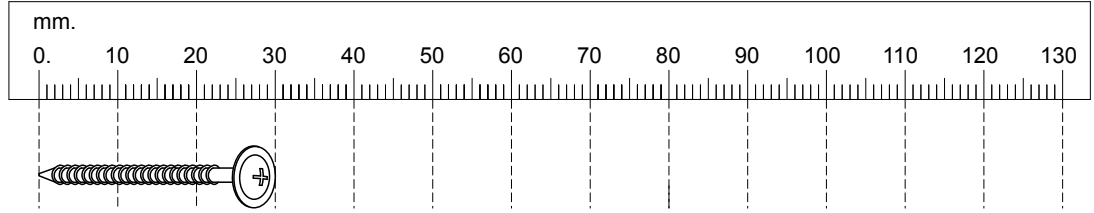
COMPTON WHITE TIERED SHELVING UNIT

406366

Assembly instructions

Fixtures and fittings supplied (actual size)

Ref	Dimensions	Qty
M3	3.5 x 30 mm	16



Fixtures and fittings supplied (not to scale)

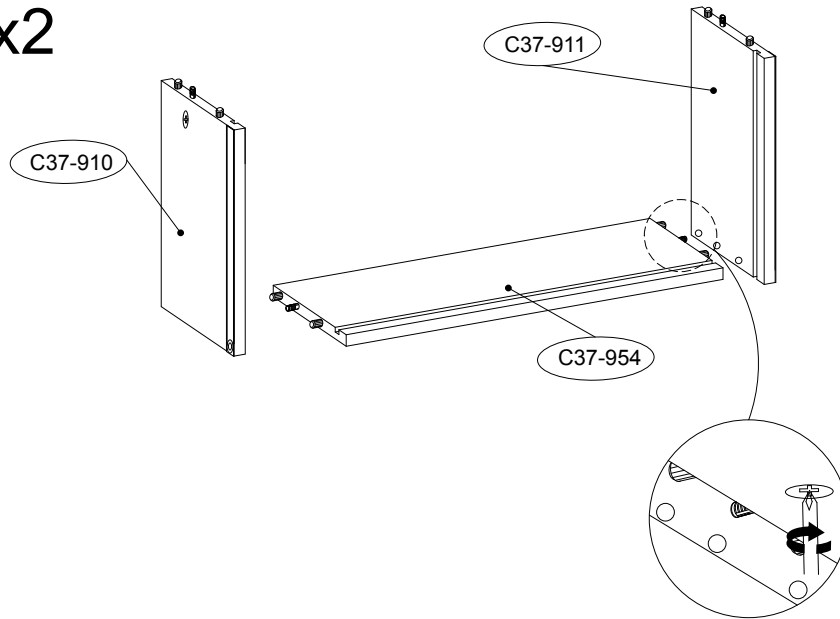
Ref	Dimensions	Visual	Qty
I1	N/A		1
Ref	Dimensions	Visual	Qty
J	N/A		14

1

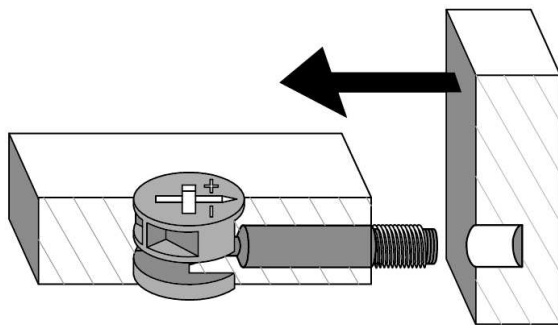
PH2



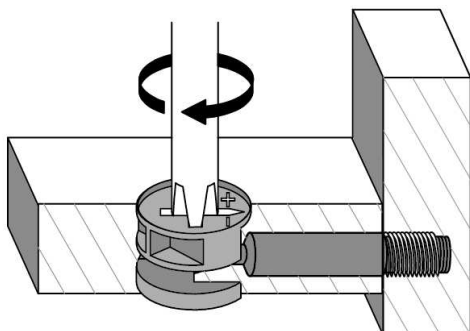
x2



PUSH THE TWO PANELS TOGETHER ALLOWING THE DOWEL TO ALIGN WITH THE HOLE



TURN THE CAM IN A CLOCKWISE DIRECTION

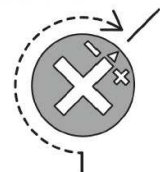


WHEN TIGHTENING THE CAM

TURN THE CAM IN A CLOCKWISE DIRECTION UNTIL THE ARROW POINTS IN THE POSITIONS SHOWN IN THE DIAGRAMS BELOW



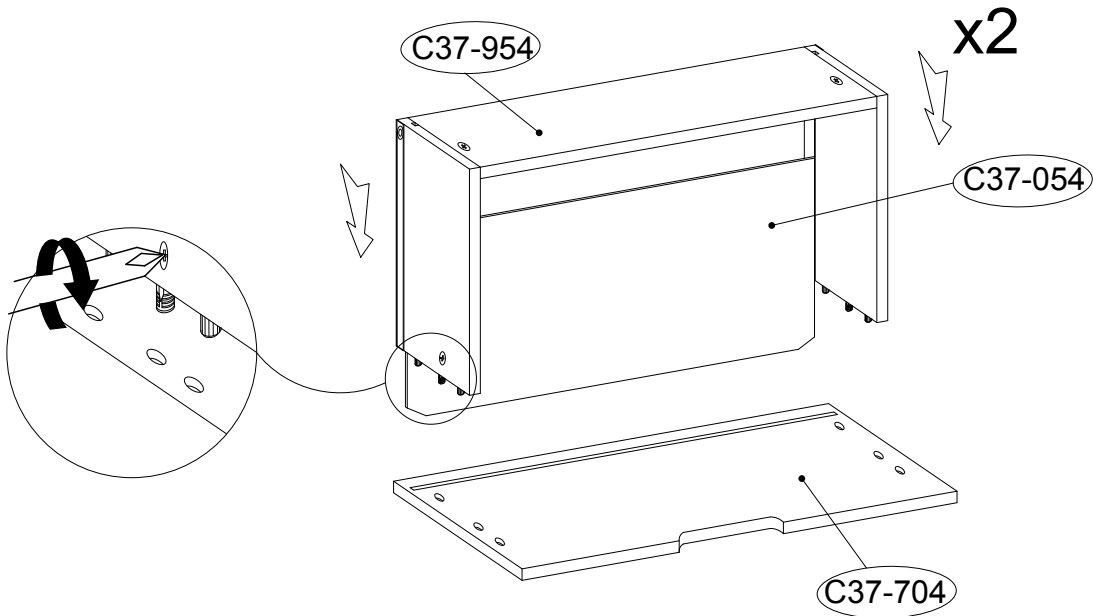
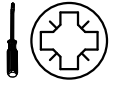
START



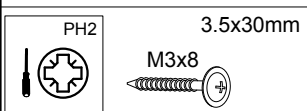
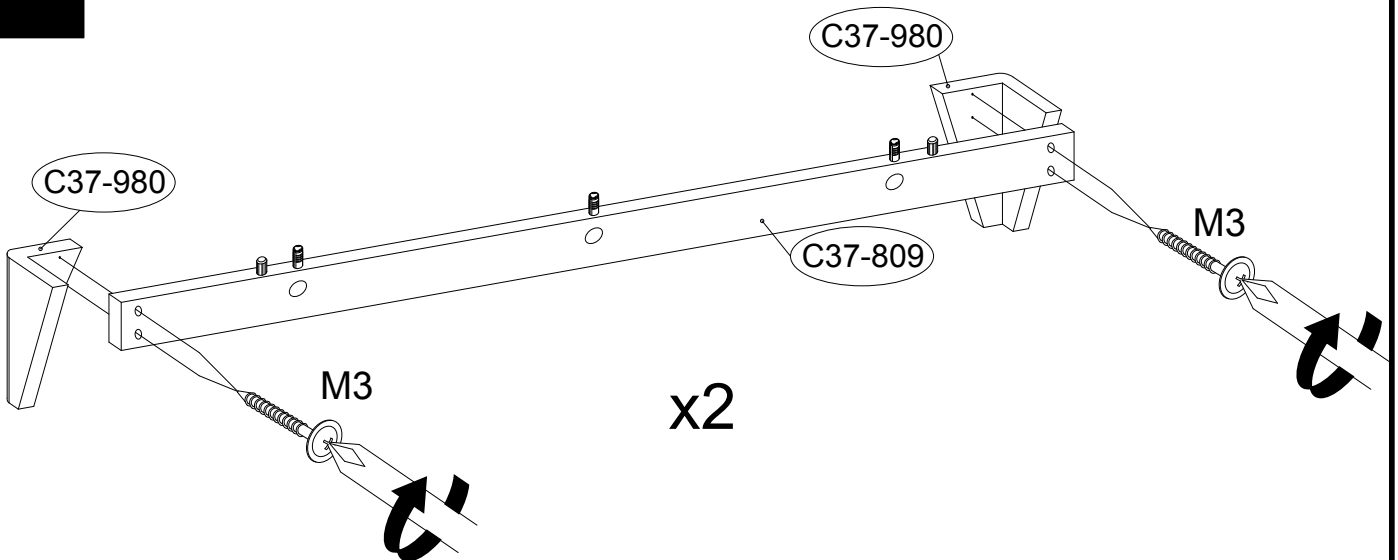
CORRECT
LOCK

2

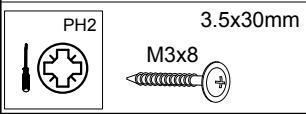
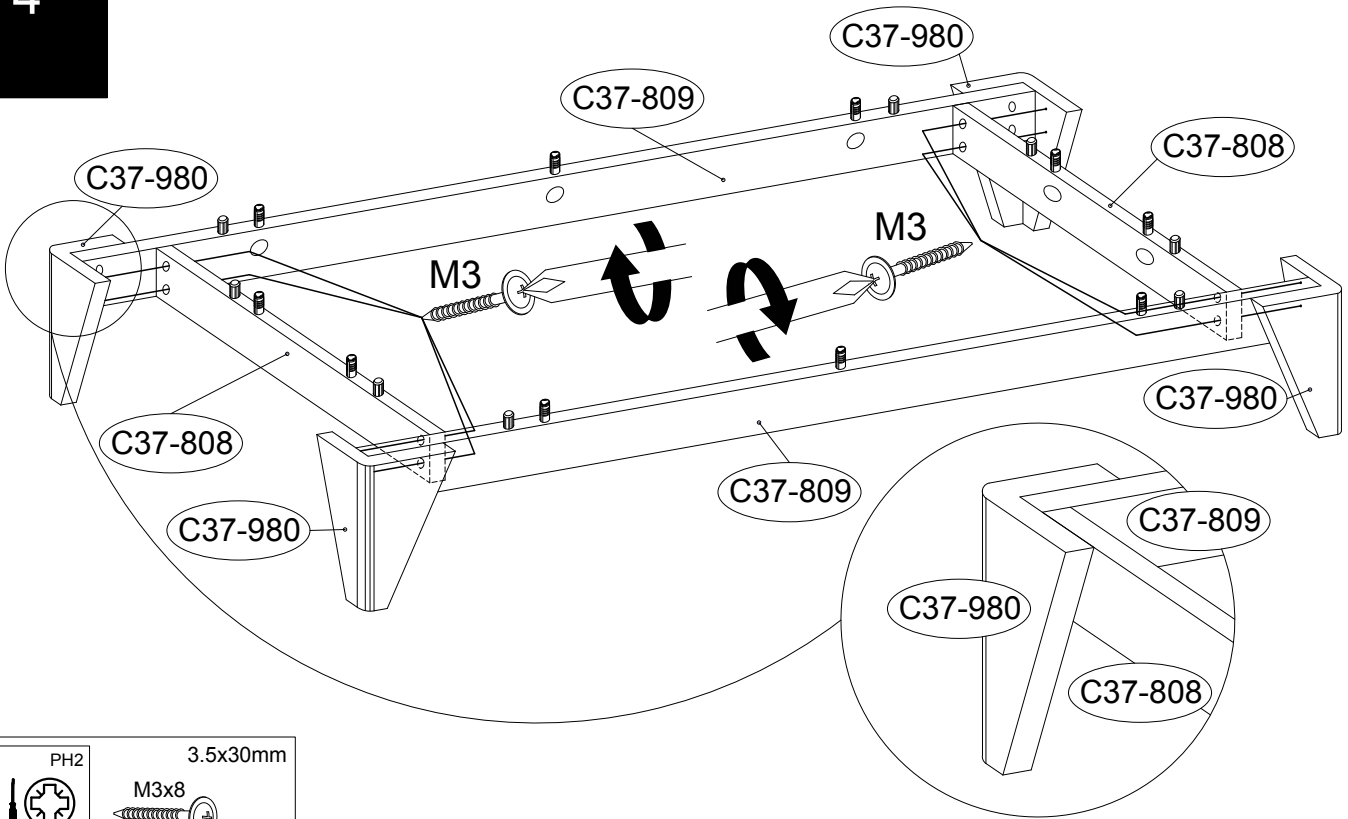
PH2



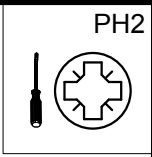
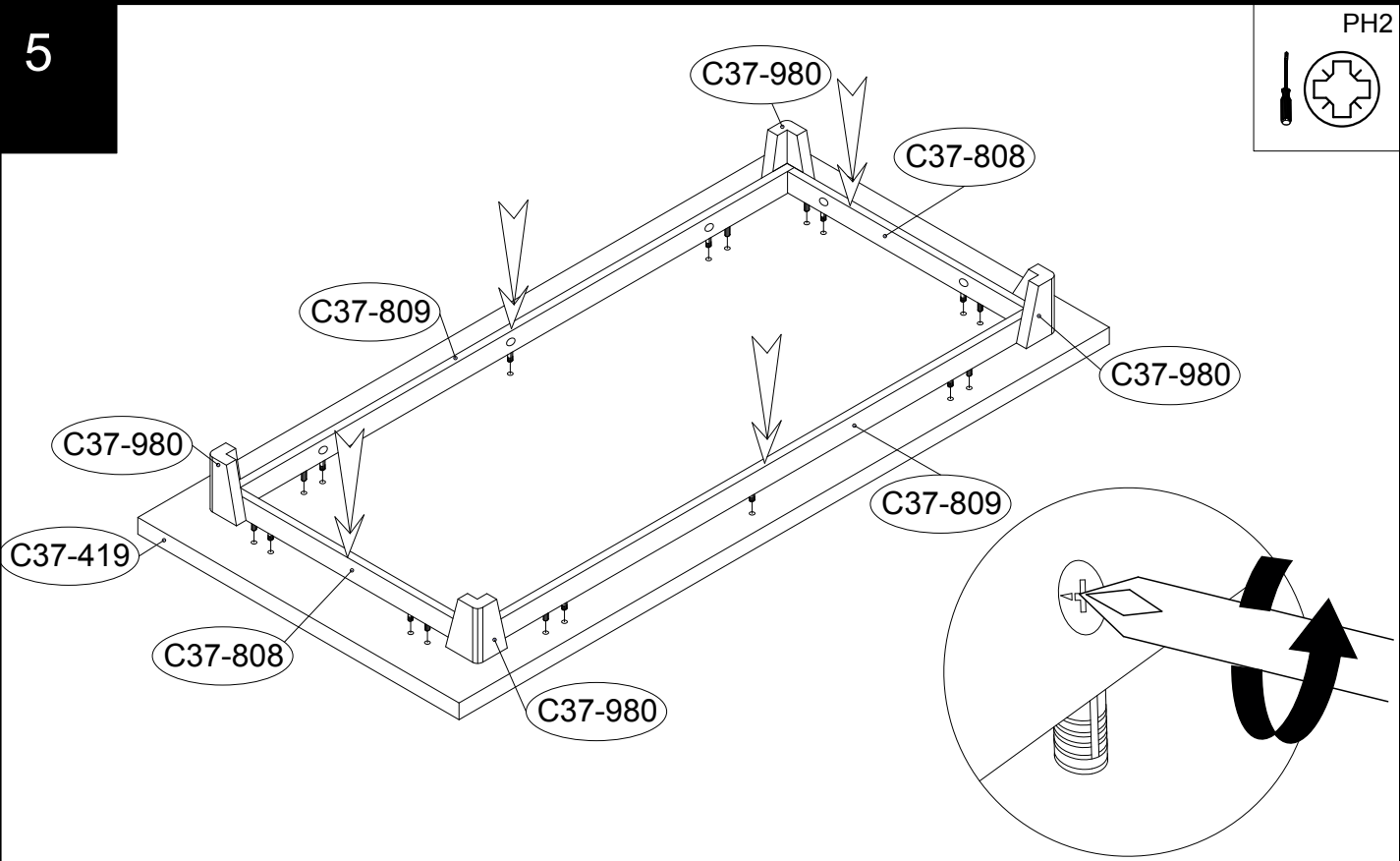
3



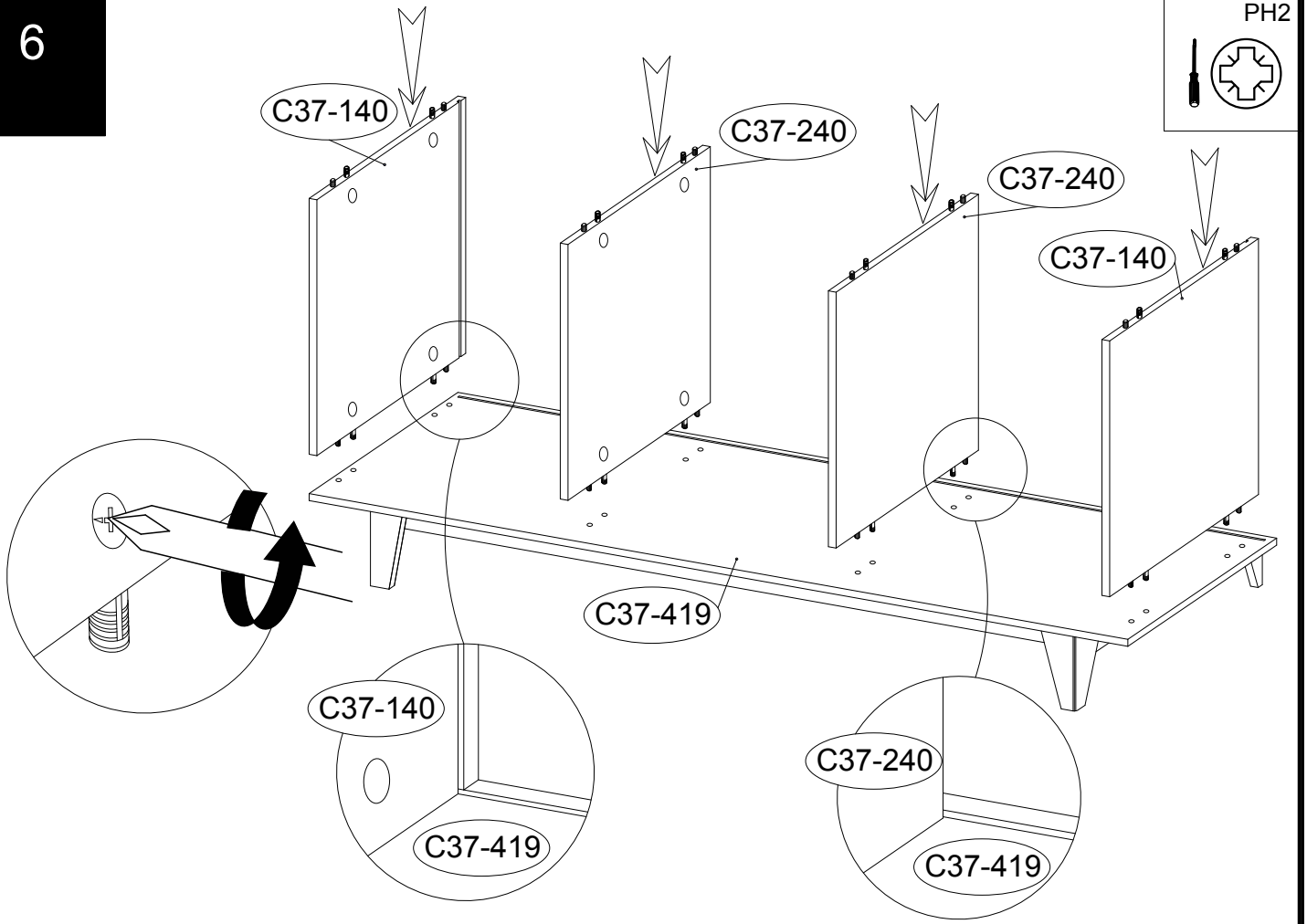
4



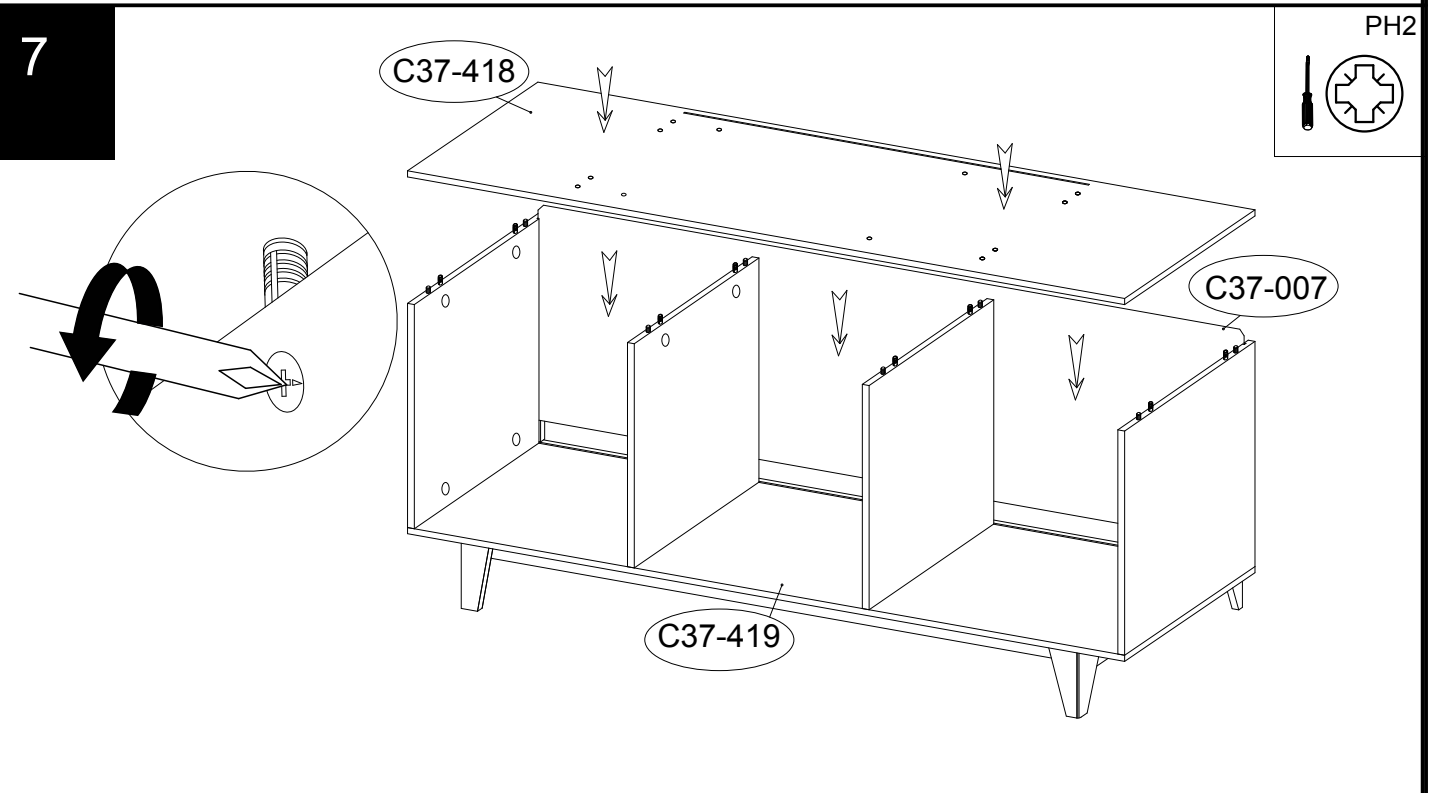
5



6

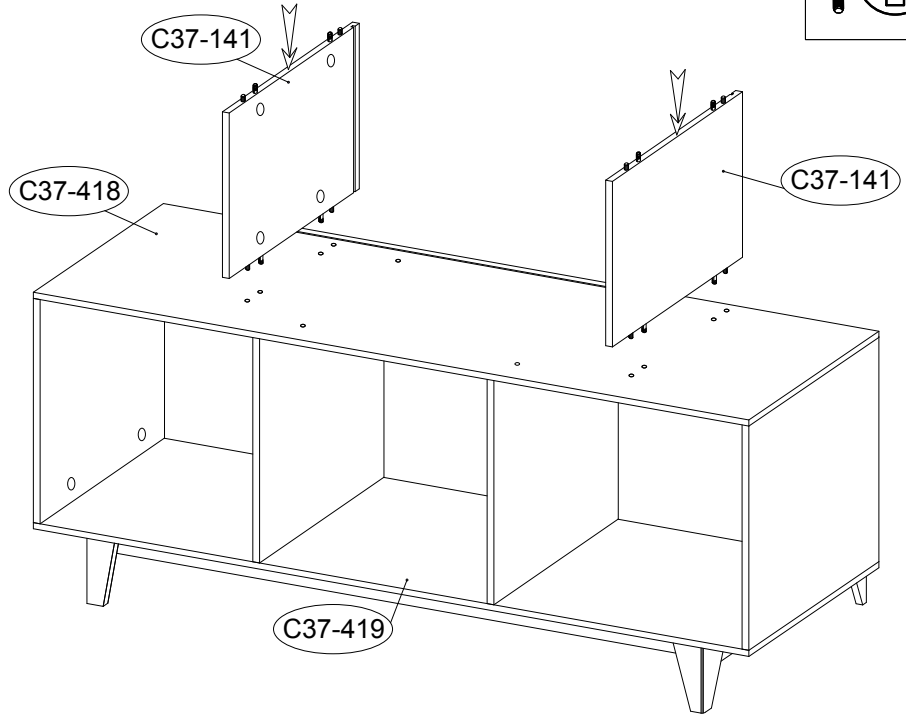
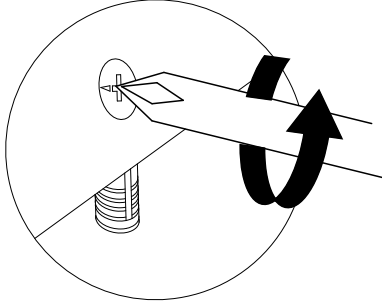


7

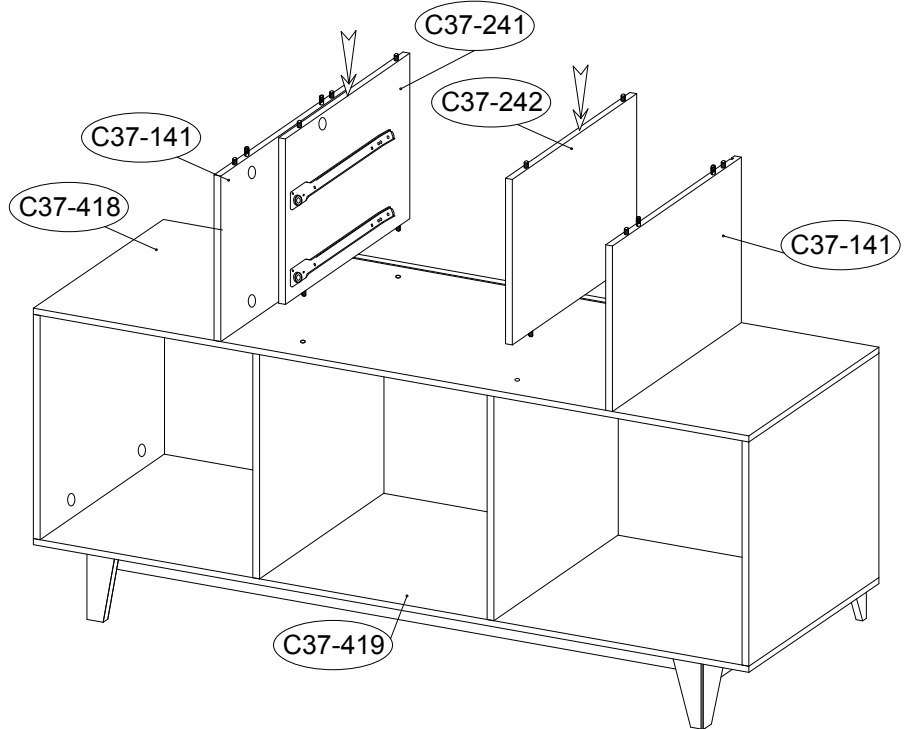


8

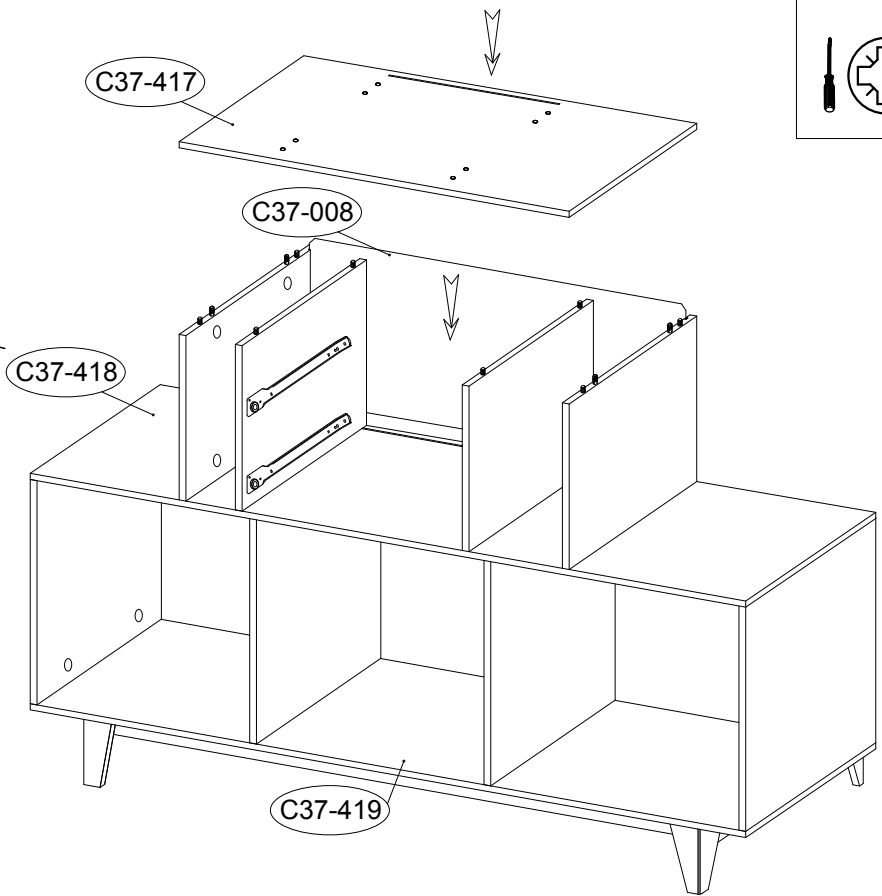
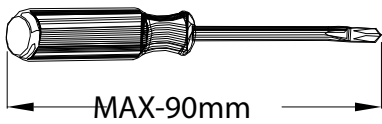
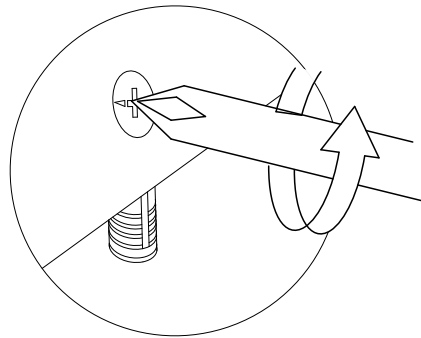
PH2



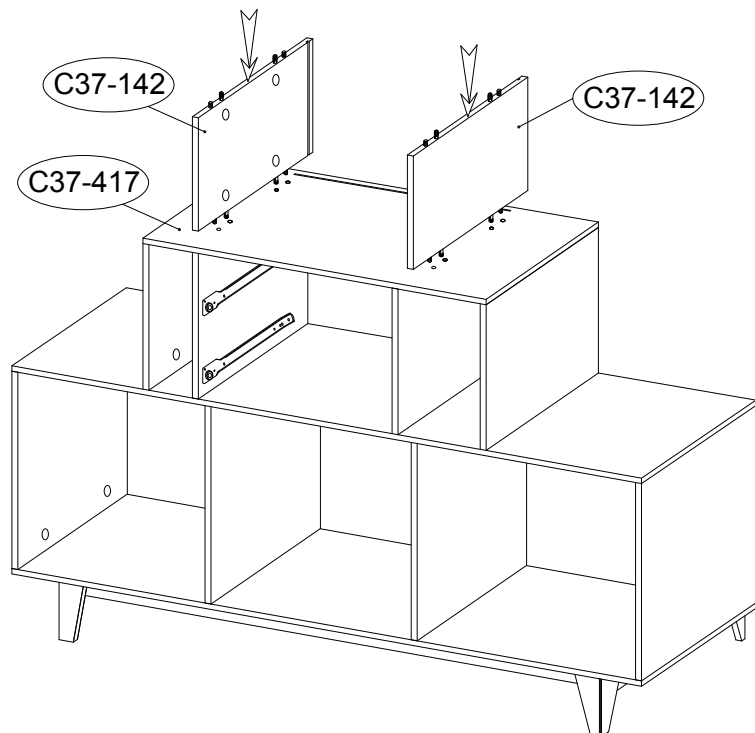
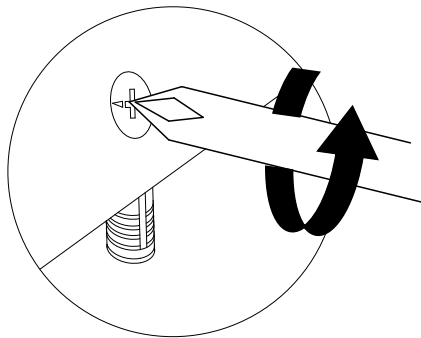
9



10

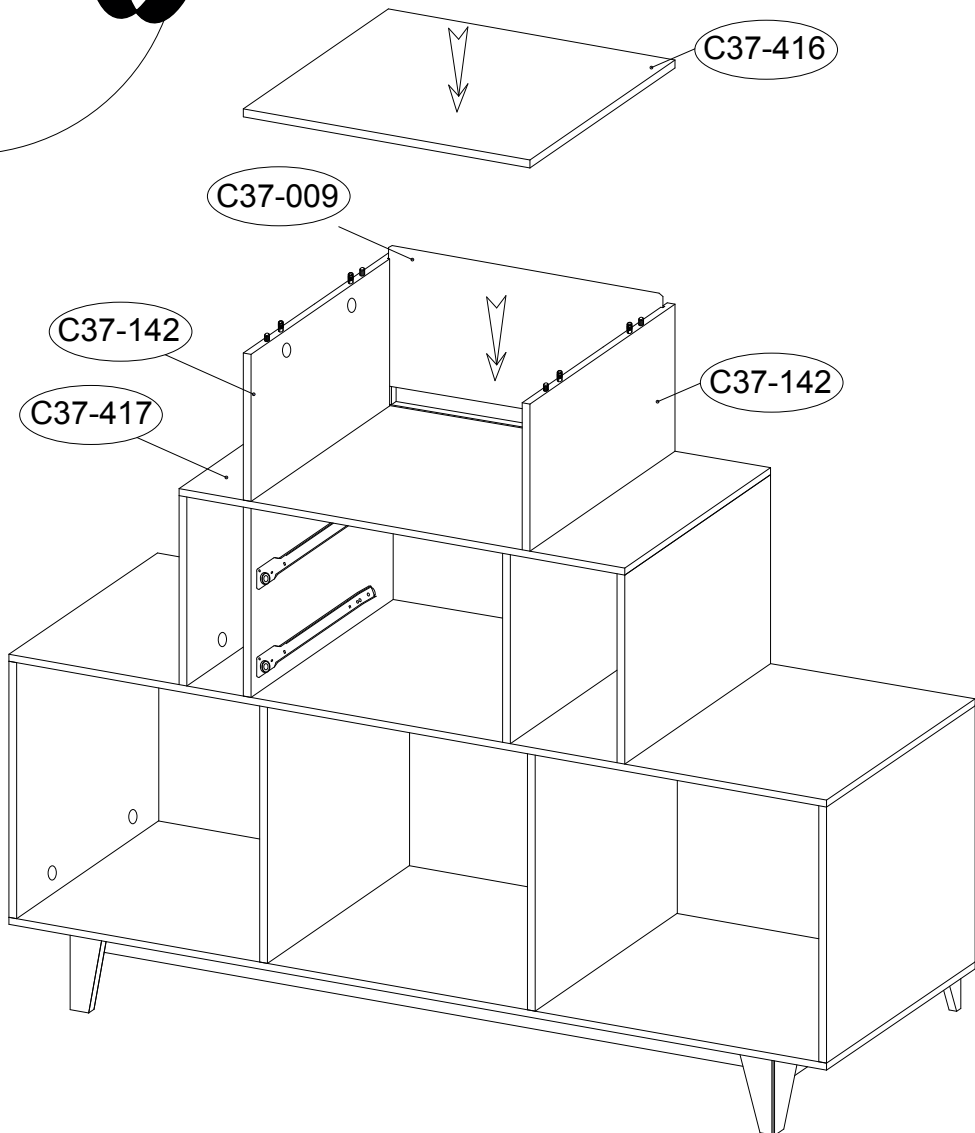
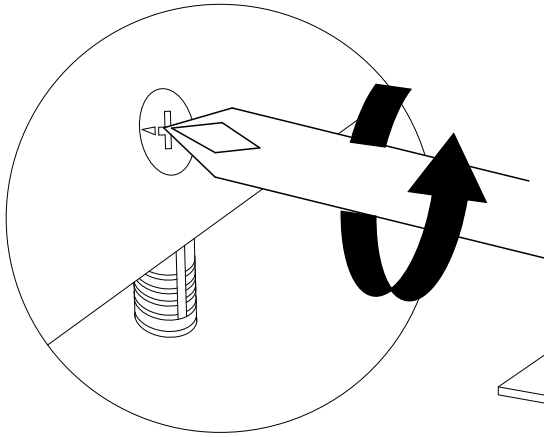


11

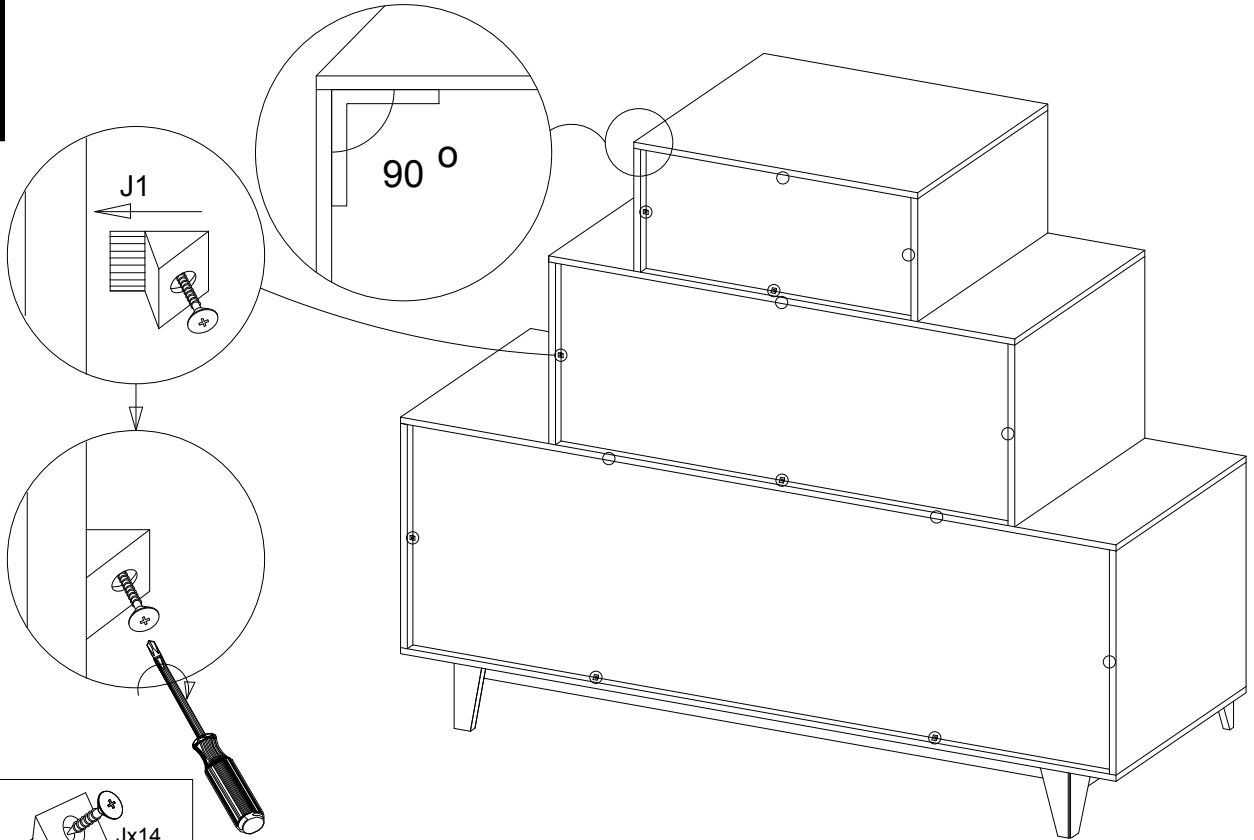


12

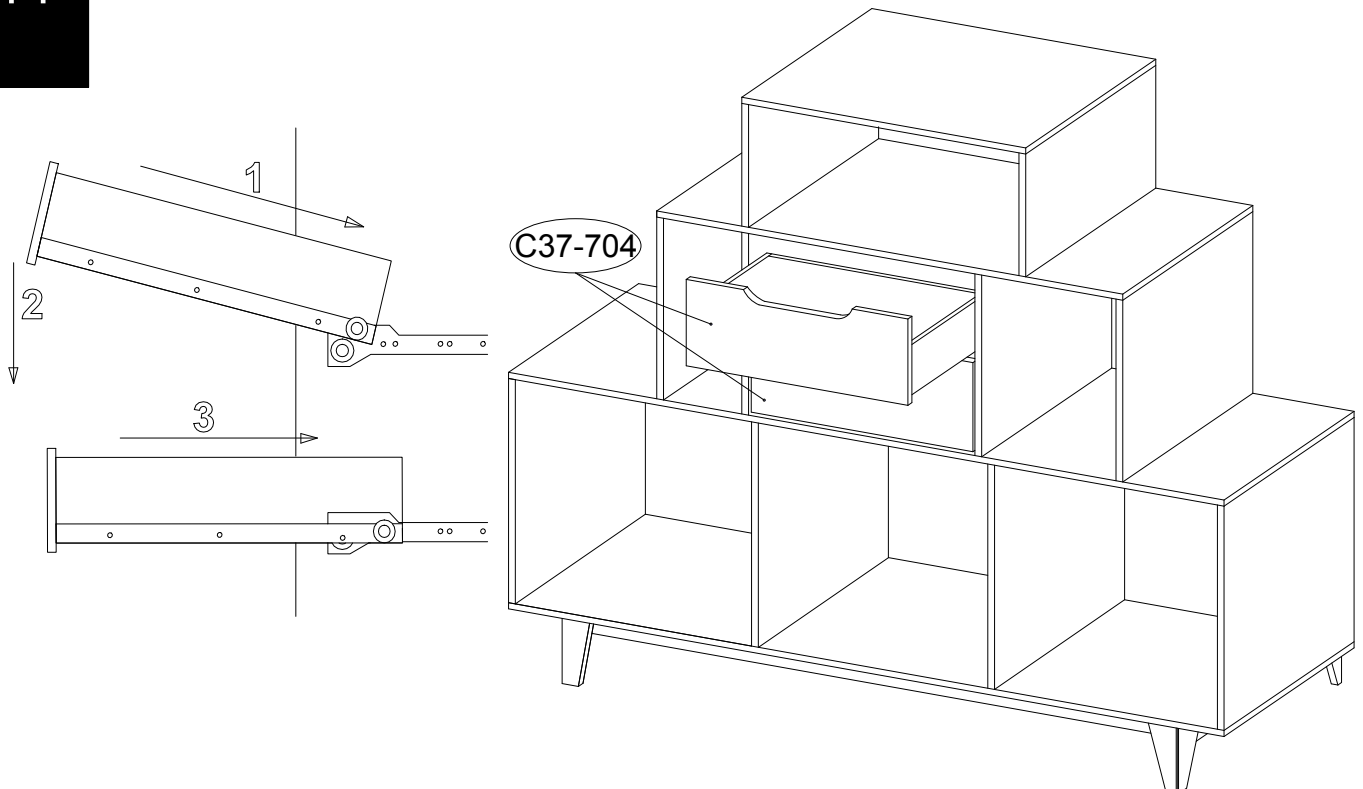
PH2



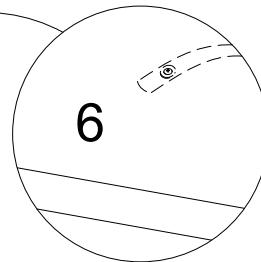
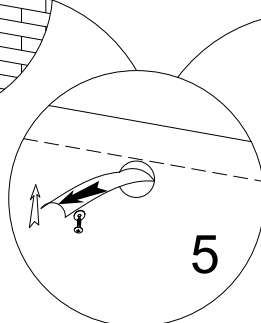
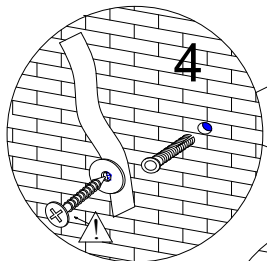
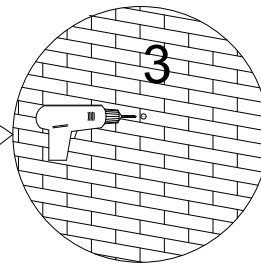
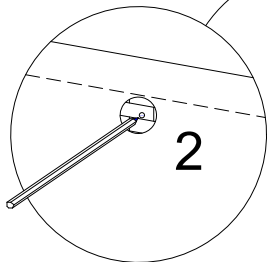
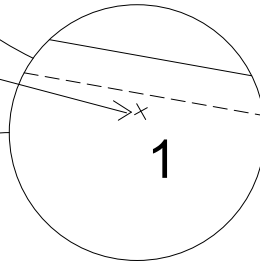
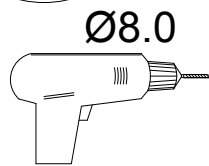
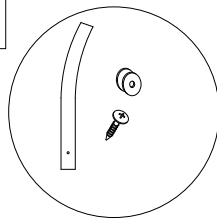
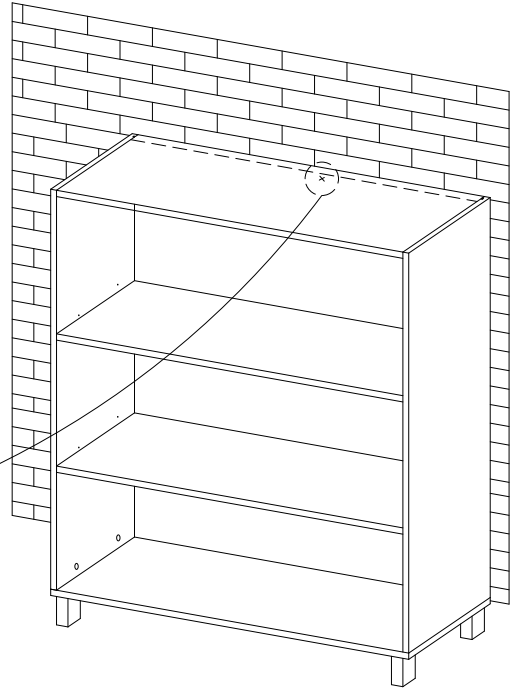
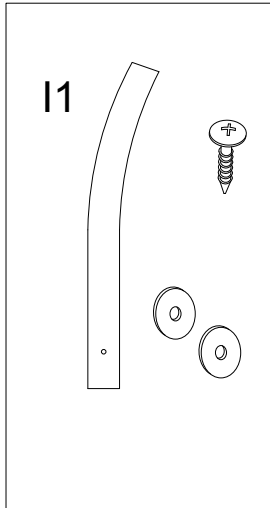
13



14



We recommend the use of the wall strap provided for safety reasons. Please follow the instructions included with the strap. N.B. Wall fixings are not included please source suitable fixings for your wall type. If in doubt, please consult a qualified tradesperson. **WARNING:** Always ensure the wall to be drilled is free from hidden electrical wires, water and gas pipes. Please read separate instructions contained with this part (Y) on the correct way of securing this strap.

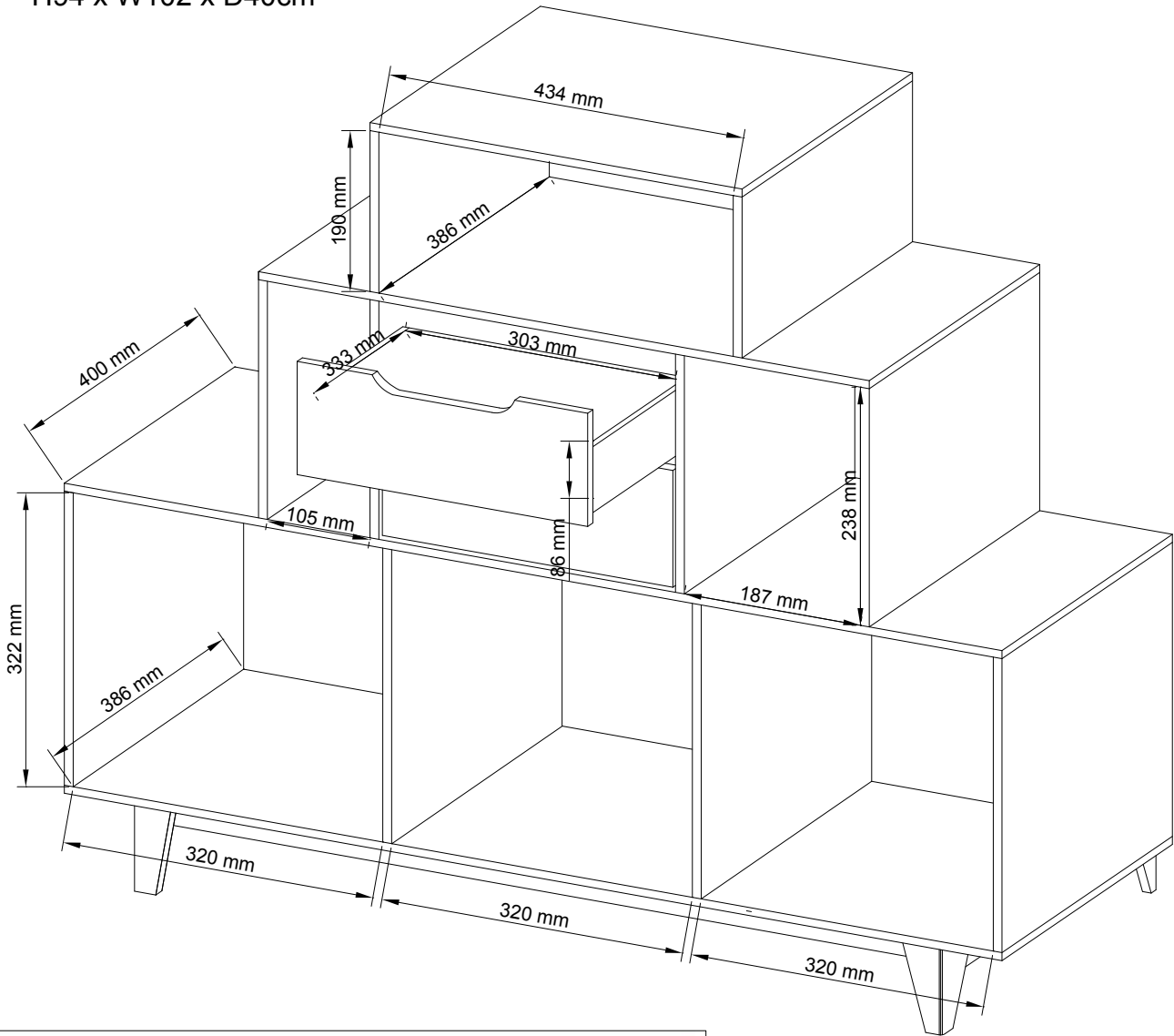




COMPTON WHITE TIERED SHELVING UNIT

406366

Actual product size
H94 x W102 x D40cm



WHEN TIGHTENING THE CAM

TURN THE CAM IN A CLOCKWISE DIRECTION UNTIL THE ARROW POINTS IN THE POSITIONS SHOWN IN THE DIAGRAMS BELOW



START



CORRECT
LOCK