

# BEFORE YOU GET STARTED...

*We're confident you'll love your gorgeous new Next furniture. However, it's worth making absolutely certain before you put it all together.*

*So, let's quickly run through these three steps:*

## 1. COLOUR

Make sure you're happy with the colour  
No need to unpack everything, just check the first component.

## 2. PROTECTIVE PACKAGING

If you're happy, then it's time to get opening! Start by laying everything out on the protective packaging – this will prevent anything getting scratched.

## 3. PARTS PAGE

Finally, double check you have all the pieces by referencing the parts page of the instructions.

## TIPS FOR RETURNS

Not completely happy with the product? No problem. We just need everything back in the original packaging, so follow the steps below and this will ensure a super-smooth returns process and no delay to your refund.

DO



- Check everything is there (the 'parts page' is a handy checklist).
- Pop all the loose fittings and fixtures into the packaging provided or tie them up in a plastic bag.
- Wrap all the big components back up in the original protective packaging.
- Close up the box and seal it securely (don't be afraid to use plenty of tape).

DON'T



- Leave anything assembled - all components should be dismantled and separately packed.
- Put loose fixtures and fittings straight into the box.
- Throw it back in the box carelessly – as it may get damaged.

next  
HOME

Then just give us a call on 0333 777 8999 and we'll sort out a pick up time for you.

next

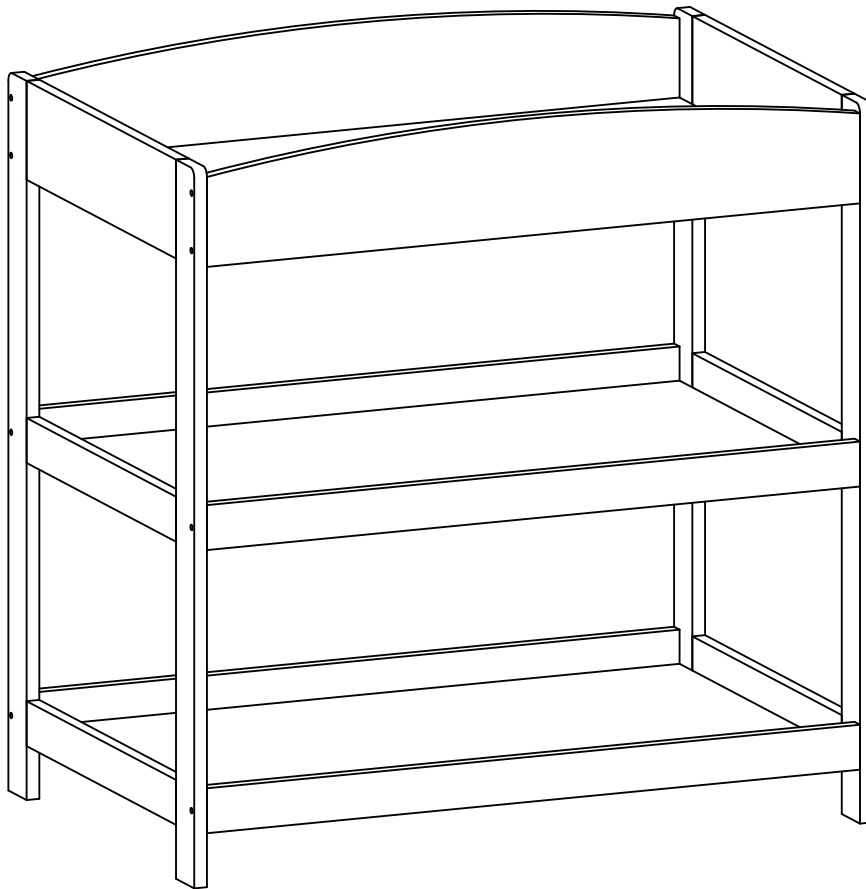
# Lulworth Changer

413300

Assembly instructions

**Actual product size**

H82.2 × W80 × D51cm



**IMPORTANT- RETAIN FOR FUTURE  
REFERENCE- READ CAREFULLY.**

**Need Help ?**

With: Assembly instruction  
Missing or damaged parts

**CALL: 0333 777 8999**

## BEFORE YOU START

### Number of people required to assemble

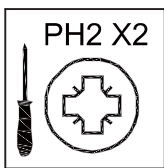


### Time to assemble



15min

### Tools required



not supplied

### Do's

When you are ready to start, make sure that you have the right tools and plenty of space

Due to the size of the product we recommend that it is assembled in the room intended for use

Unwrap all packaging materials and place the components on a clean surface to protect it from damage, we recommend that the packaging is used to protect the surfaces during assembly

Carefully check that you have all the parts before beginning assembly

Please periodically check all fittings and re-tighten as necessary. Please do not drag or pull your furniture

Wipe occasionally with a soft cloth slightly dampened with water, then buff with a dry clean soft cloth

We recommend a changing pad of L 77cm x W 46 cm

Place your item on a stable surface

Take care that no screws are loose, because a child could trap parts of the body or clothing, which could pose a risk of strangulation

Do not rub or scrub the surface when cleaning

Any spills should be removed immediately with a soft clean damp cloth and dried immediately

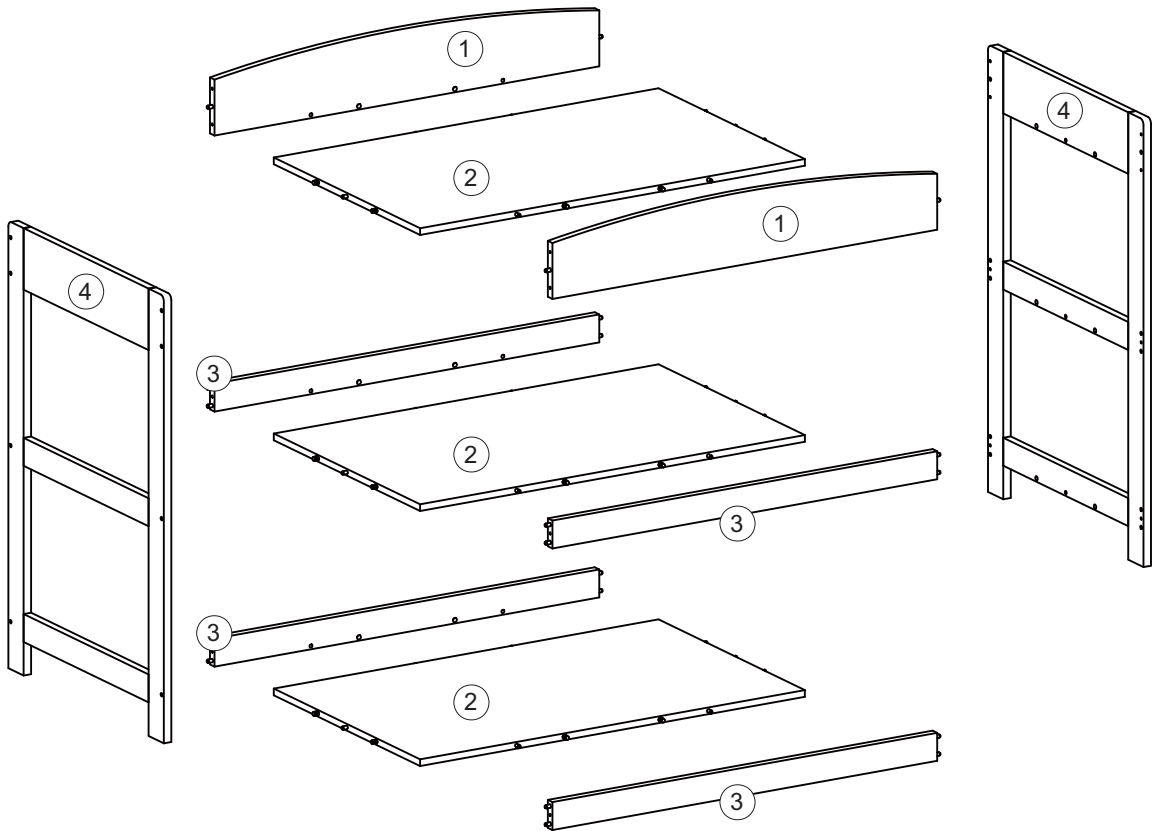
### Don'ts

Never allow any kind of liquid to remain on the furniture. Absorption can cause wood to warp or finishes to de-laminate





Do not place your changer or dresser in the close proximity of an open fire and the sources of heat, such as radiators, electric or gas fires

Do not place your changer or dresser in the close proximity of windows

## GETTING TO KNOW YOUR PRODUCT

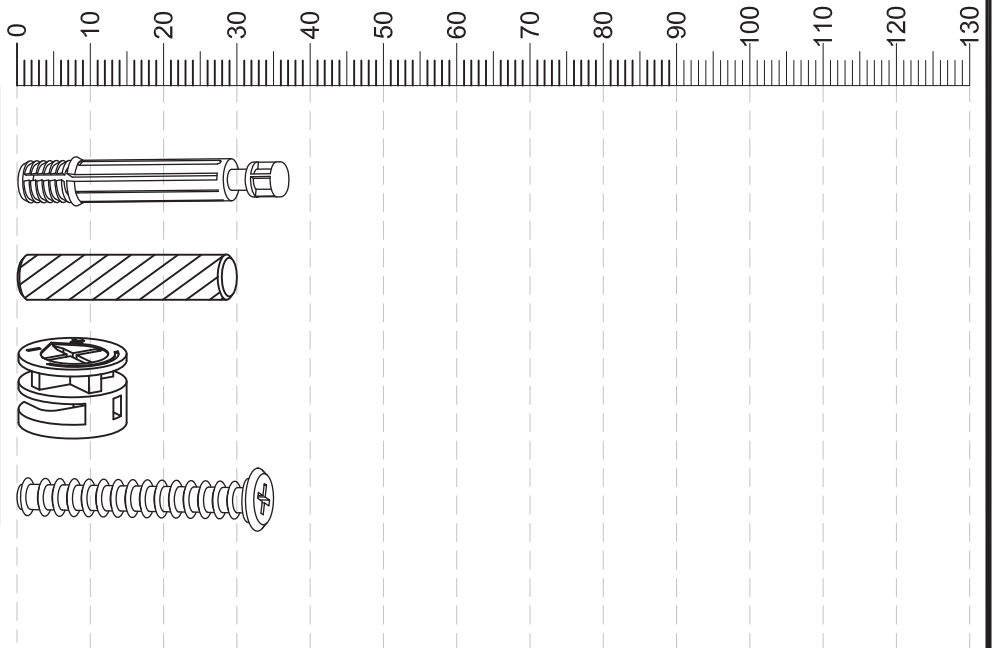


Components supplied. Please use this guide if you require replacement parts.

Ref	Dimensions	Visual	Qty	Ctn
1	77 x 13cm		2	1
2	77 x 47.2cm		3	1
3	77 x 50cm		4	1
4	80 x 51cm		2	1

**Fixtures and fittings supplied (actual size)**

Ref	Dimensions	Qty	Spare Qty
G1	Ø8 x 38mm	N/A	2
D1	Ø6 x 30mm	N/A	2
C1	Ø15 x 10mm	N/A	2
S1	Ø5 x 35mm	16	2



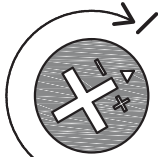
1

**WHEN TIGHTENING THE CAM**

TURN THE CAM IN A CLOCKWISE DIRECTION UNTIL THE ARROW POINTS IN THE POSITIONS SHOWN IN THE DIAGRAMS BELOW



START



MAXIMUM LOCK

**WHEN LOOSENING THE CAM**

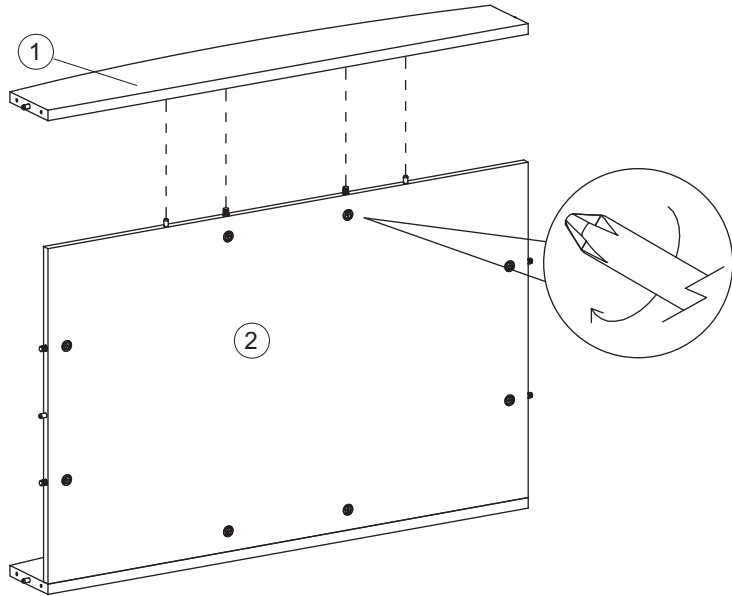
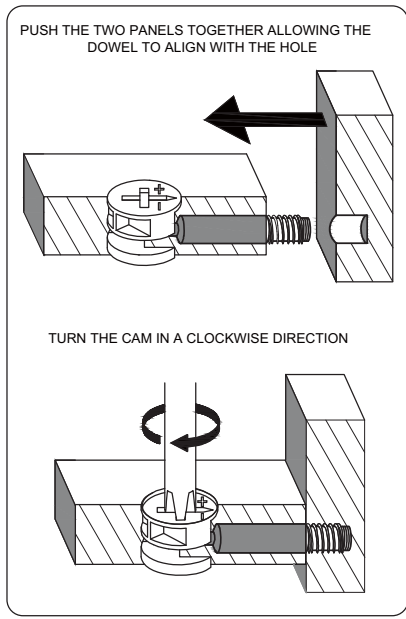
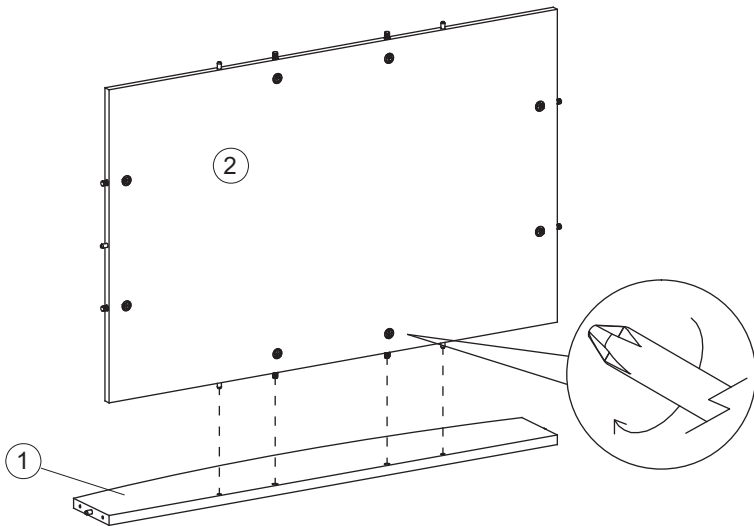
TURN THE CAM IN A COUNTERCLOCKWISE DIRECTION UNTIL THE ARROW POINTS IN THE POSITION SHOWN IN THE DIAGRAMS BELOW



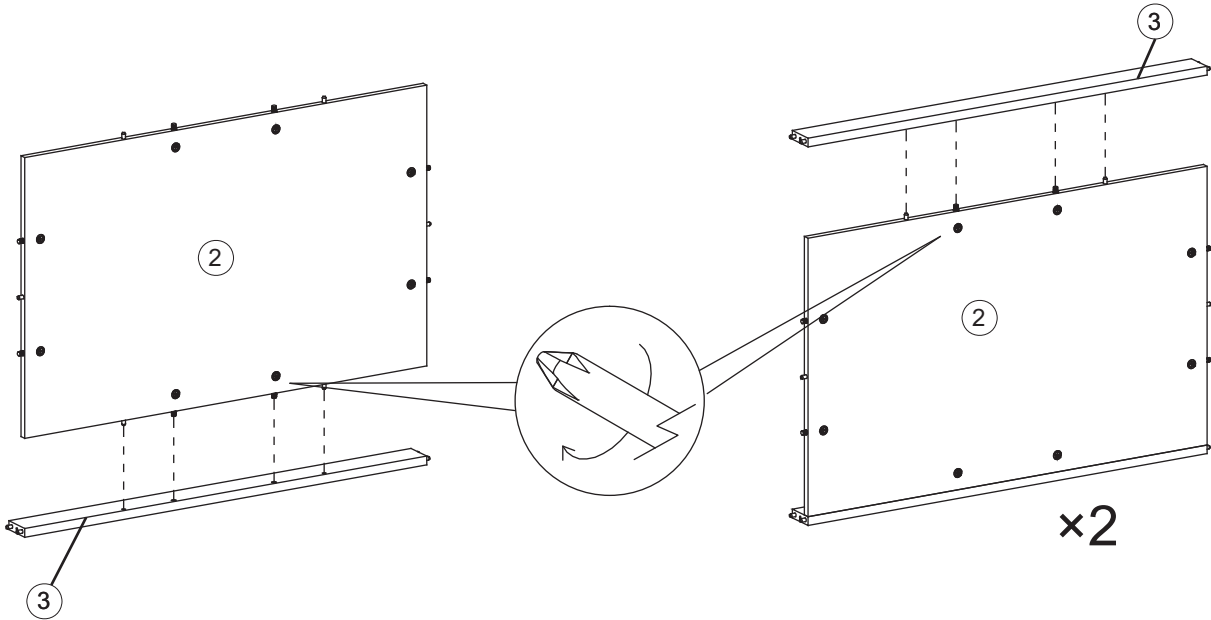
MAXIMUM LOCK



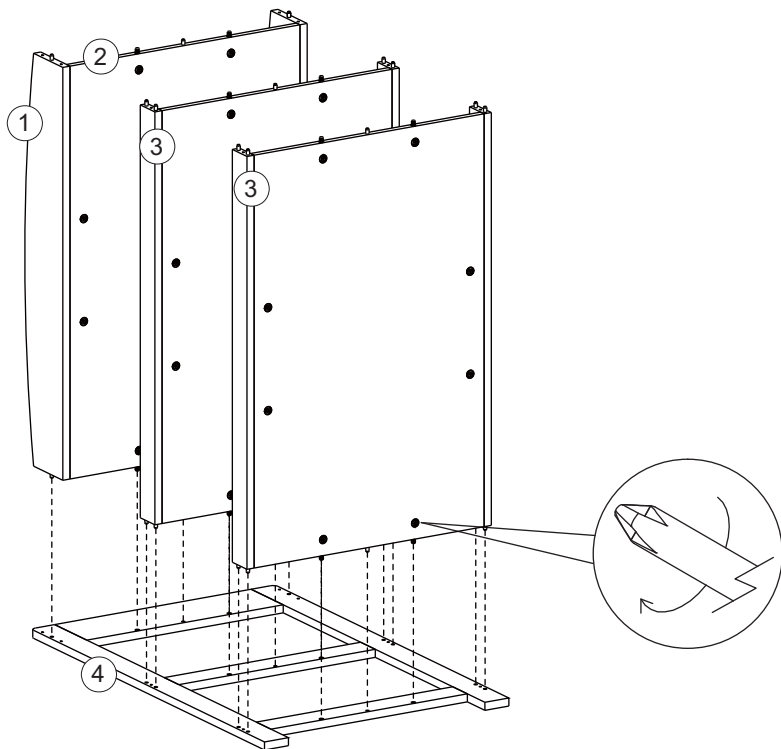
UNLOCKED



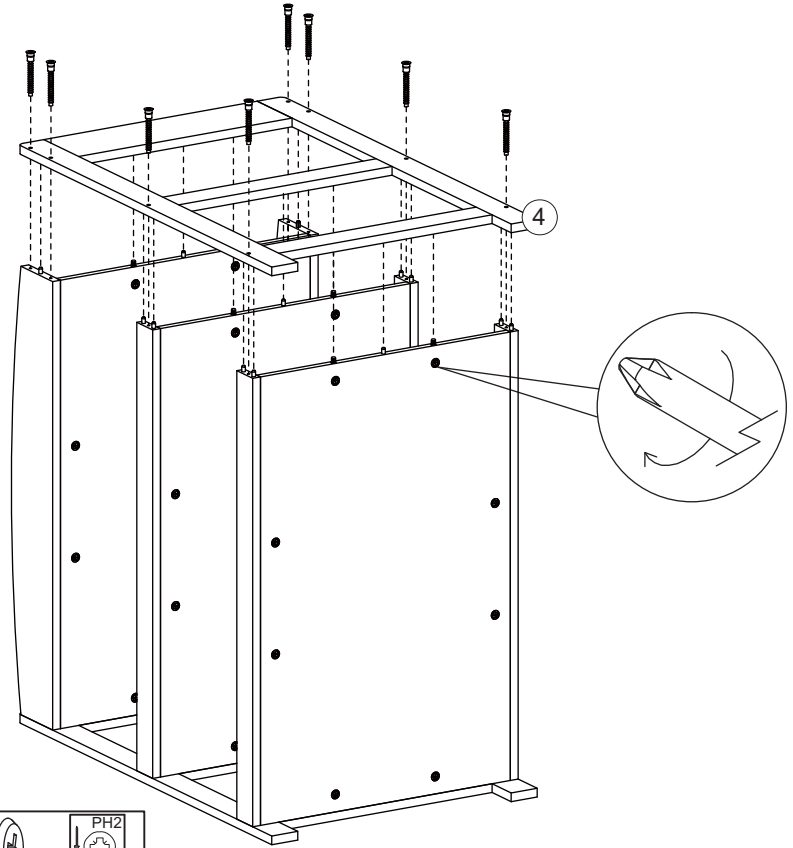
2



3



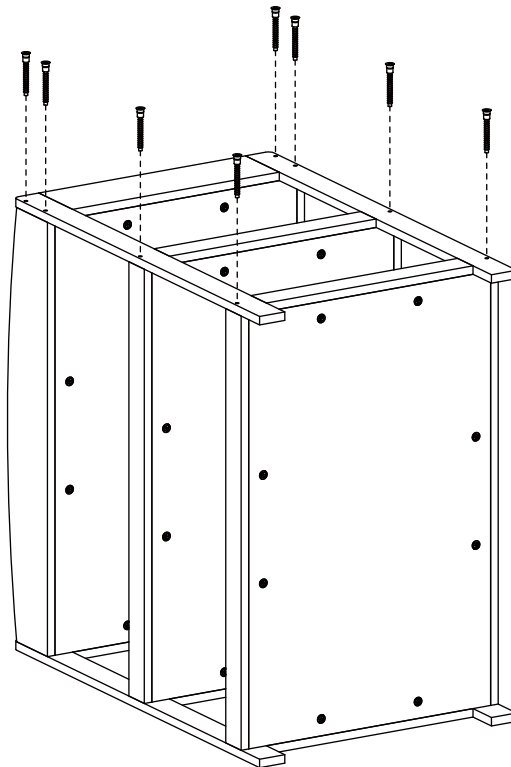
4



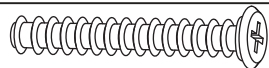
S1    Ø5 x 35mm    8



5



S1    Ø5 x 35mm    8

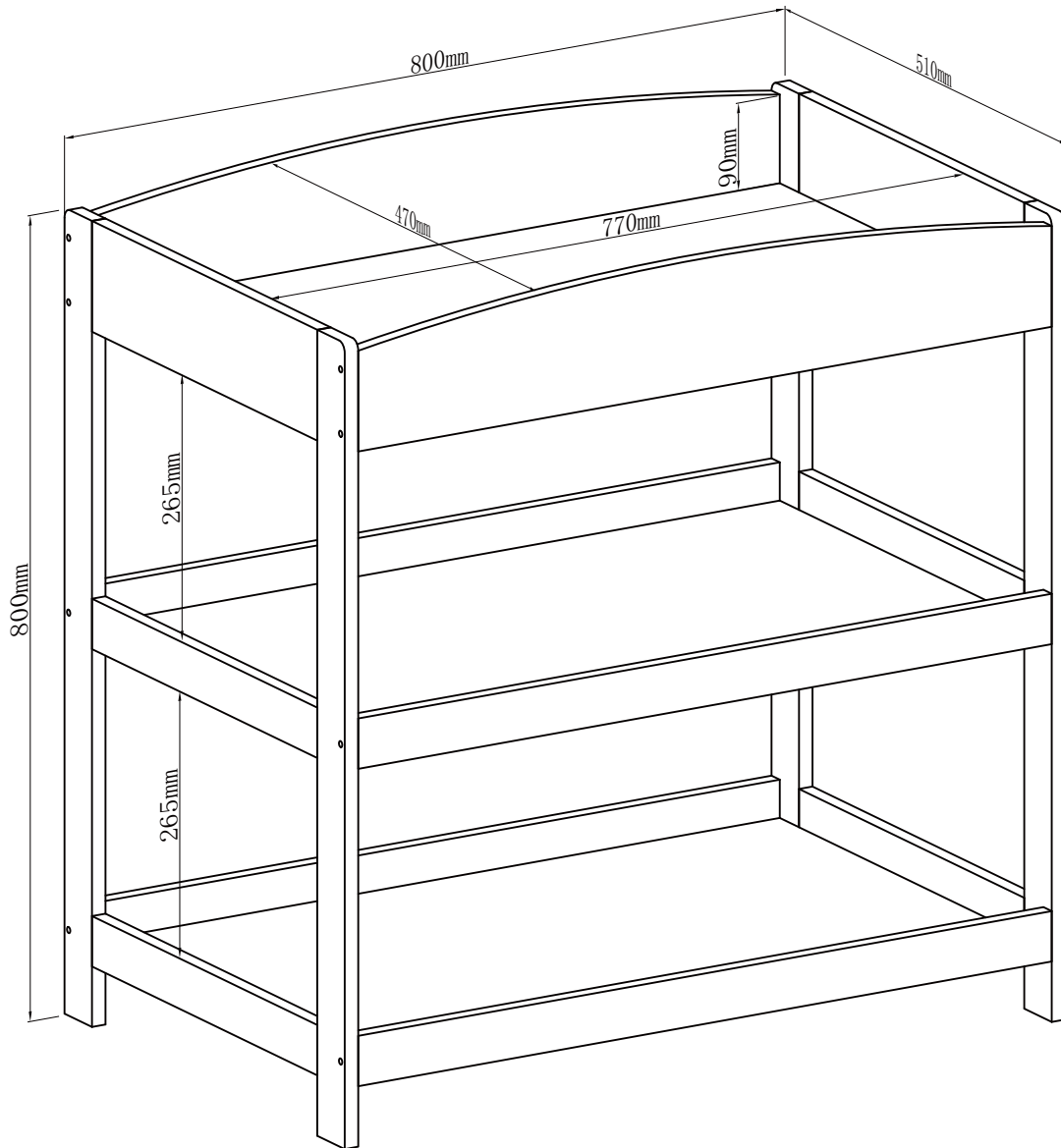




next

Lulworth Changer  
413300

**Actual product size**  
H82.2 × W80 × D51cm



**IMPORTANT - RETAIN FOR FUTURE REFERENCE - READ CAREFULLY.**

This product complies with BS EN 12221:2008 A1:2013

**Warnings**

**WARNING:** Do not leave your child unattended, your child's safety is your responsibility.

**WARNING:** Do not use the item if any part is broken, torn or missing.

**WARNING:** There are many small components used in the construction of this item, these components should be kept out of reach of young children whilst assembling the unit.

**WARNING:** All assembly fittings should be tightened properly before use and should be periodically checked and re-tightened if required.

**WARNING:** Be aware of the risk of open fires and other sources of strong heat, such as electric bar fires, gas fires, etc. in the near vicinity of the changing unit.

**WARNING:** This product should not be dismantled for purposes of transportation or storage.

**WARNING:** This product is suitable for children up to the age of 12 months / 11kg

**Missing parts**

If you are missing any fixtures and fittings for your product. Please contact our customer service team on 0333 777 8999 and they will be happy to arrange for a replacement to be sent to you free of charge.

**Home service technicians**

If you have a fault with your product, please contact our customer service team on 0333 777 8999. If you have had the product for 28 days or less you may be offered a replacement refund or for a fully trained home service technician to visit your home to assess the fault and repair the product where possible. If you have had the product for more than 28 days we will send an independent home service technician to review and repair the product where possible and recommend further action.

**You can write to us at**

Home Customer Services  
Next Retail Ltd.  
Desford Road,  
Leicester,  
LE19 4AT

To view our full furniture range please visit [www.next.co.uk](http://www.next.co.uk)