

next

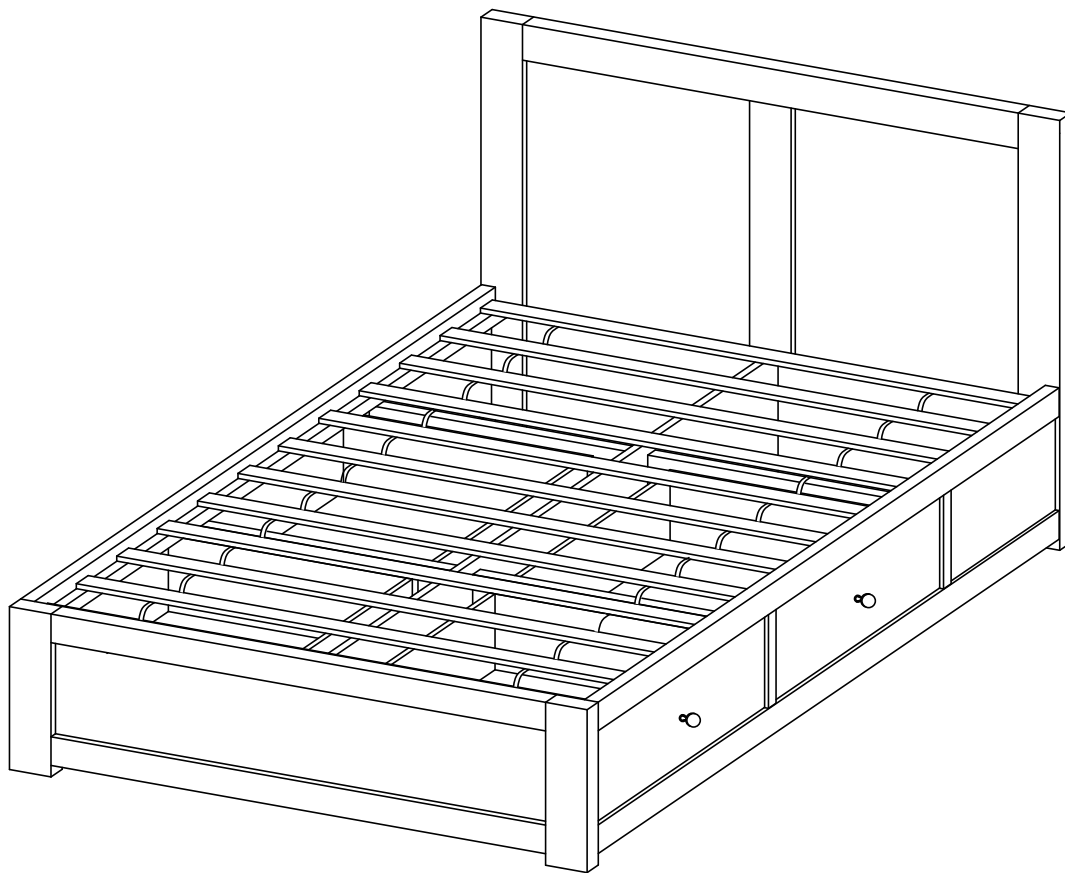
# SUSSEX STORAGE KING BED

427741-218

Assembly instructions

## Actual product size

H112 x W160 x D210cm



## Need Help?

With: Assembly instructions  
Missing or damaged parts

CALL: 0333 777 8999

**IMPORTANT - RETAIN FOR FUTURE REFERENCE**

## BEFORE YOU START

### Warnings

We suggest you retain these instructions for future reference.

Keep fittings out of children's reach and keep children well away from the construction area.

This product should only be used on firm, level ground.

Please periodically check all fittings and re-tighten as necessary.

Please do not jump or stand on your bed.

Avoid exposing the furniture to excessive heat or direct sunlight as this can cause damage to the materials and deterioration of the colour

### Do's

We suggest you spend a short time reading through this leaflet before you start.

When you are ready to start, make sure that you have the right tools and plenty of space.

Due to the size of the product we recommend that it is assembled in the room intended for use

Unwrap all packaging materials and place the components on a clean surface to protect them from damage,

We recommend that the packaging is used to protect the surfaces during assembly

Carefully check that you have all the parts before beginning assembly

Ensure the product is fully assembled as illustrated and all fixings fully tightened before use.

Check fixings regularly to ensure they remain tight

When moving your assembled bed. It is best to lift the bed and never to drag it. Please check that the centre support rail is securely fixed in place

When adjusting the support legs ensure that the foot is set 5-10mm from the floor surface without the mattress in place.

When in use the legs will create the required support for the product

Wipe occasionally with a soft cloth dampened with water. Then buff with a dry clean soft cloth

### Don'ts

Do not drag or pull your furniture.

Do not use silicone based furniture polish. Silicone in furniture polishes can break down the finish.

Never allow any kind of liquid to remain on your furniture.

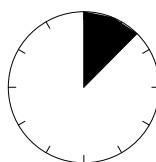
Absorption can cause wood to warp or finishes to de-laminate.

Do not place hot items (e.g. hot drinks) directly on to the wood surface. Please make sure you use a placement or coaster

### Number of people required to assemble

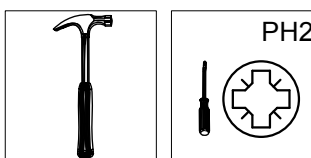
Two persons are required to assemble this item.

### Time to assemble



1.5 hours

### Tools required



not supplied

not supplied

### Missing parts

If you are missing any fixtures and fittings for your product please contact our customer service team on 0333 777 8999 and they will be happy to arrange for a replacement to be sent to you free of charge.

### Home service technicians

If you have a fault with your product please contact our customer service team on 0333 777 8999. If you have had the product for 28 days or less you may be offered a replacement, refund or for a fully trained home service technician to visit your home to assess the fault and repair the product where possible. If you have had the product for more than 28 days we will send an independant home service technician to review and repair the product where possible and recommend further action.

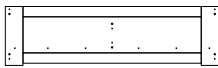


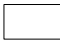

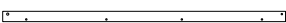
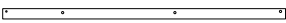
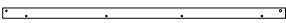
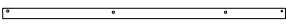


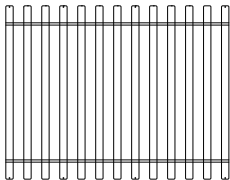
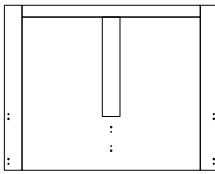

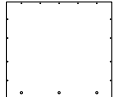
### You can write to us at

Home Customer Services  
Next Retail Ltd,  
Desford Road,  
Leicester,  
LE19 4AT

To View our full furniture range please visit [www.next.co.uk](http://www.next.co.uk)

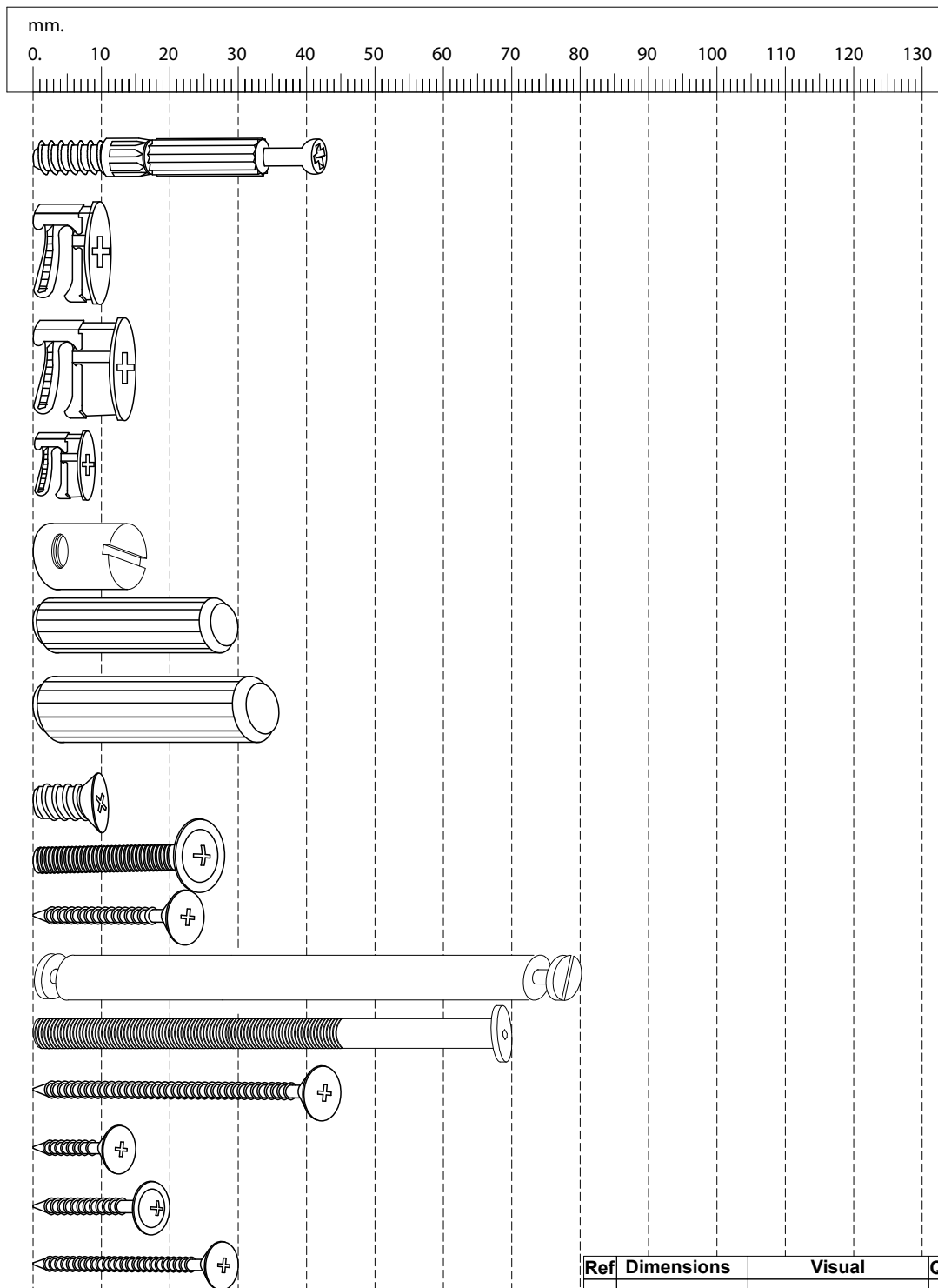


**Components supplied. Please use this guide if you require replacement parts.**


Ref	Dimensions	Visual	Qty	Ctn
C24-194	40 x 160cm		1	2
C24-281	203 x 36cm		1	1
C24-286	79 x 33cm		4	3
C24-349	50 x 23cm		2	3
C24-770	73 x 23cm		4	3
C24-885	202 x 7cm		1	1
C24-886	202 x 7cm		1	1
C24-887	202 x 7cm		1	1
C24-888	202 x 7cm		1	1
C24-920	65 x 17cm		8	1
C24-925	68 x 17cm		4	3
C24-931	191 x 151cm		1	1
C24-954	112 x 160cm		1	2
C24-031	191 x 3cm		2	1
C24-060	71 x 65cm		4	3


**Fixtures and fittings supplied (actual size)**


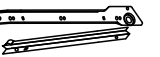
Ref	Dimensions	Qty
A	6 x 43 mm	60
B	15 x 11 mm	32
B1	15 x 15 mm	24
B2	12 x 9 mm	12
C1	10 x 17 mm	4
D	8 x 30 mm	44
D1	10 x 35 mm	28
F6	6.3 x 11 mm	24
G	4 x 28 mm	4
H1	4 x 25 mm	8
K1	7 x 82 mm	4
N1	6 x 70 mm	4
O1	4 x 45 mm	10
P1	3 x 15 mm	8
P4	3 x 20 mm	24
S1	3 x 30 mm	52



**Fixtures and fittings supplied (not to scale)**

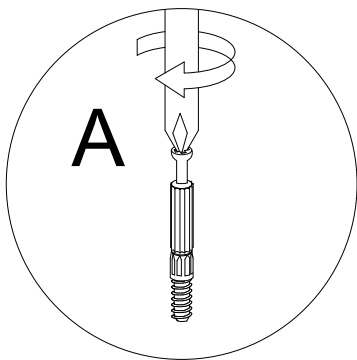
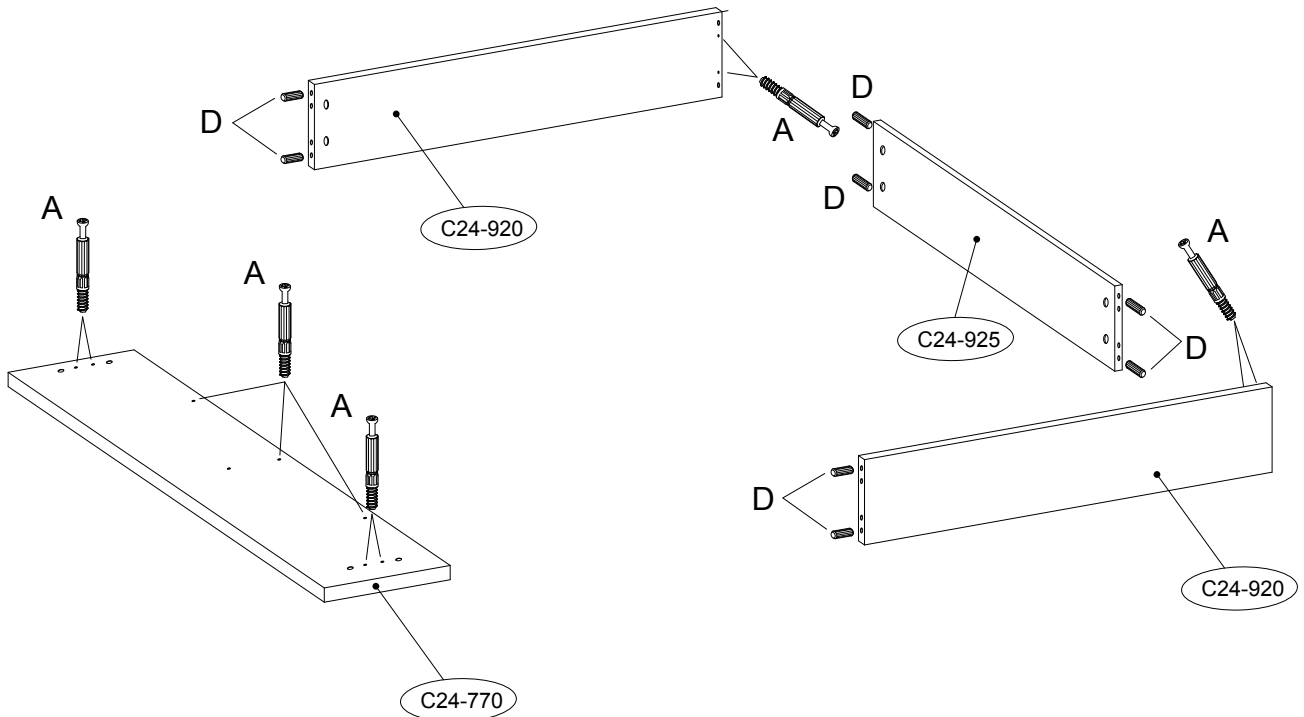
Ref	Dimensions	Visual	Qty
M	N/A		1

Ref	Dimensions	Visual	Qty
U2	N/A		4

Ref	Dimensions	Visual	Qty
SL	N/A		4
SR	N/A		4

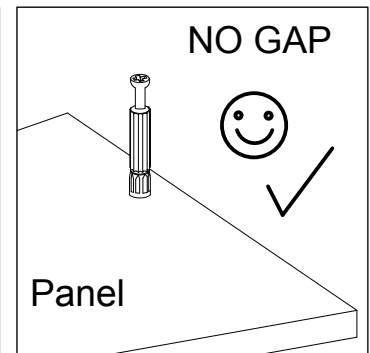
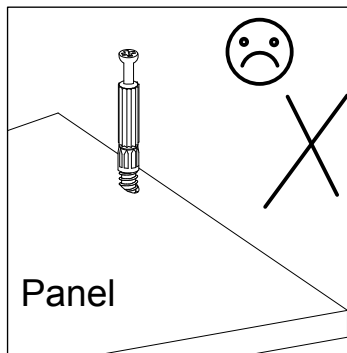
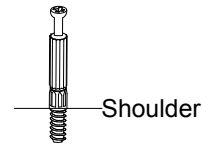
1

x4



**CAM-LOCK**

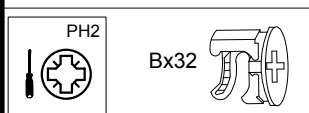
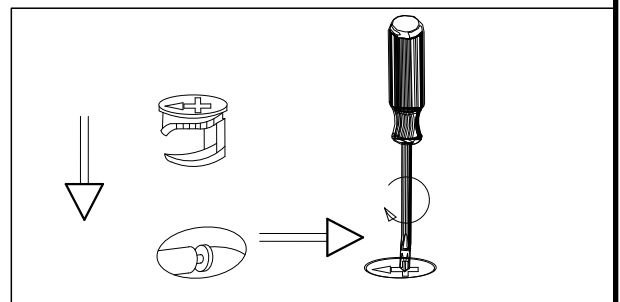
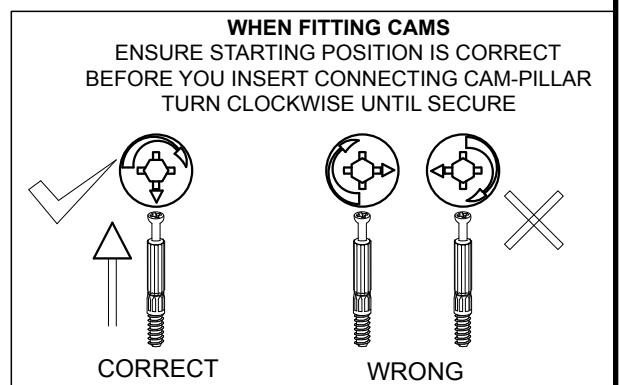
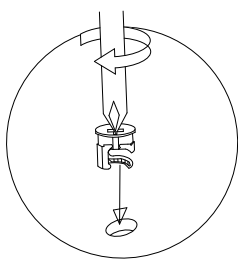
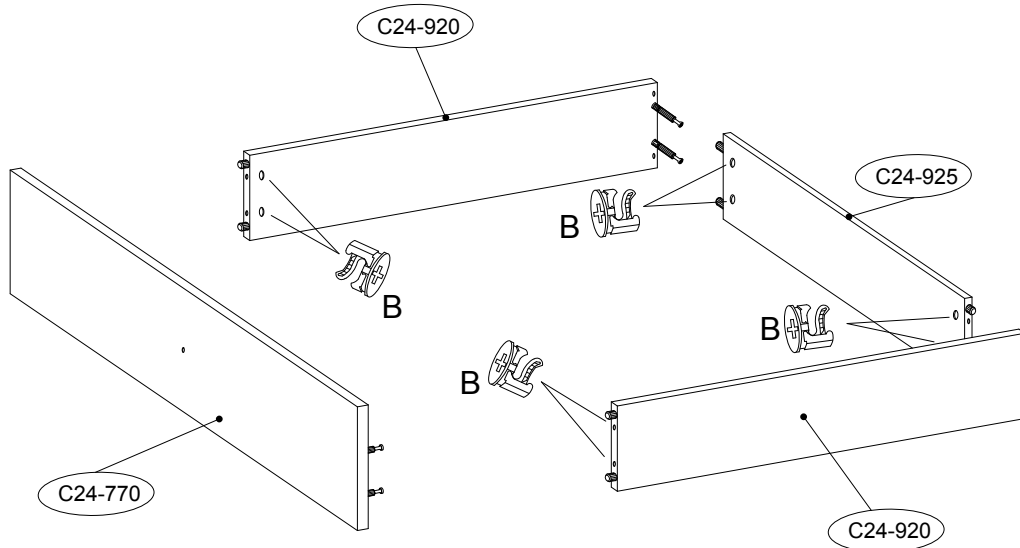
Tighten until shoulder is flush with panel. Do not overtighten or undertighten (see example below)



<p>PH2</p>	<p>Ax44</p>		<p>8x30mm Dx32</p>
------------	-------------	--	------------------------

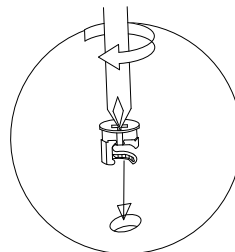
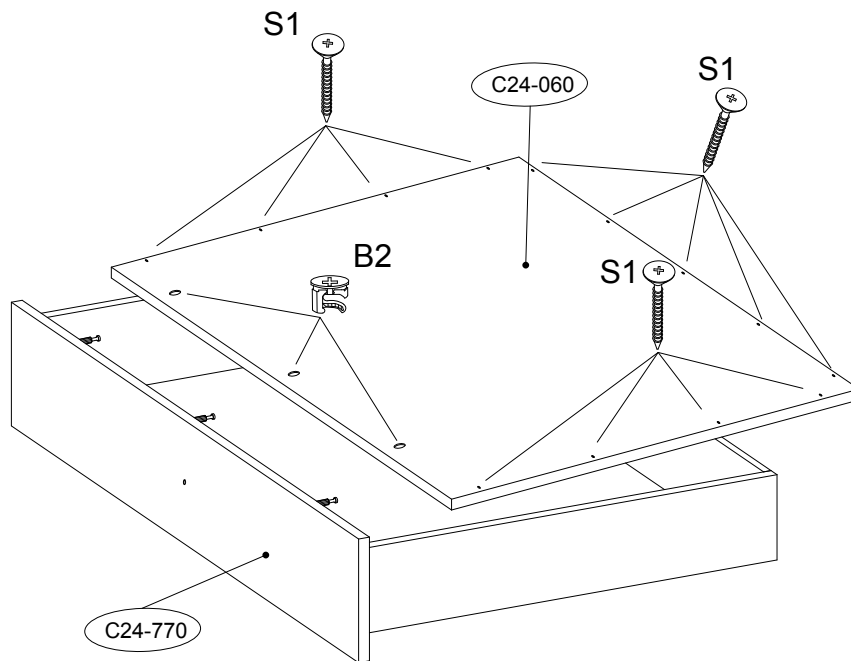
2





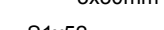
x4



3

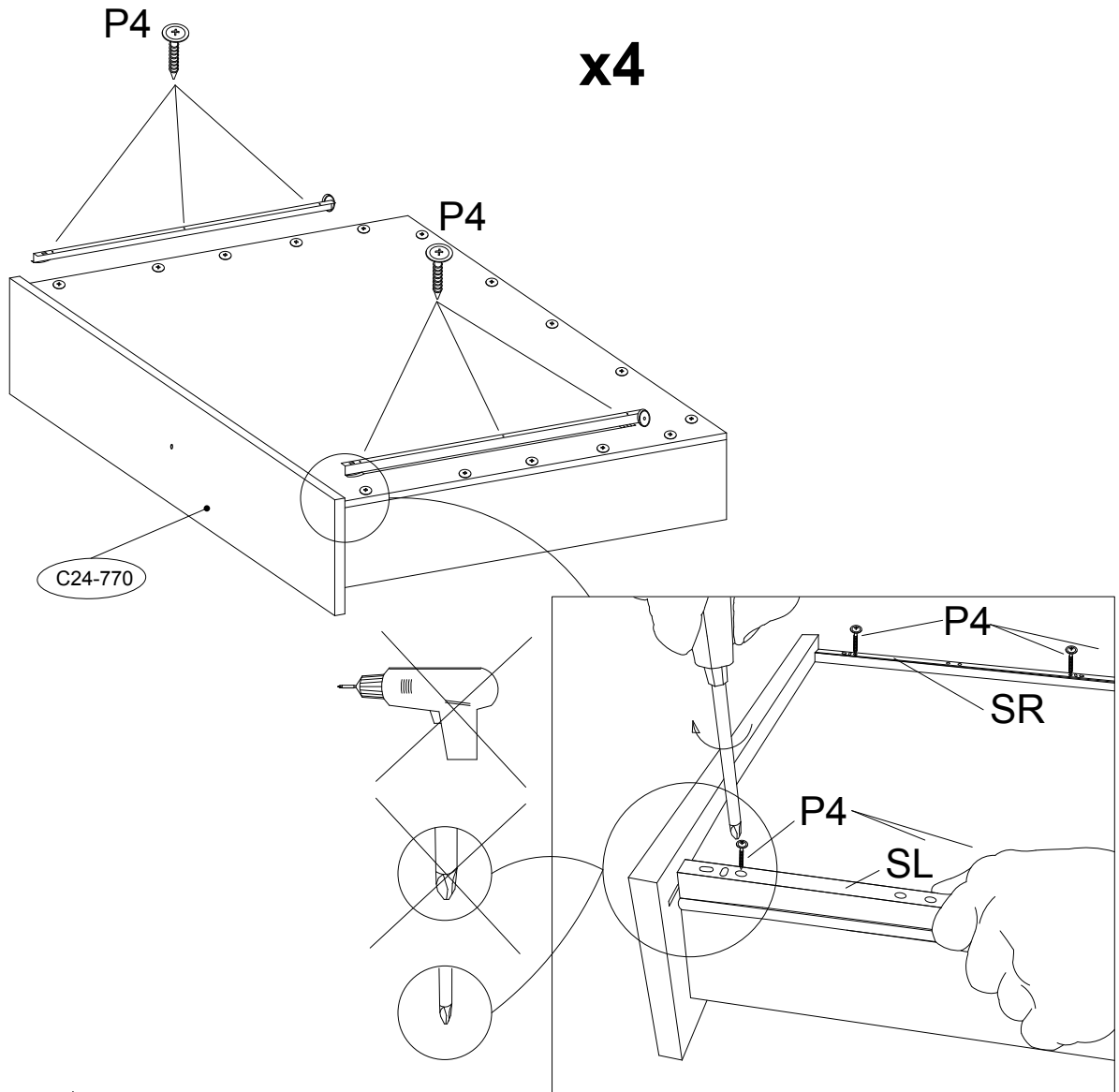
x4



 PH2	 B2x12	 PH2	 S1x52
			 3x30mm



4



x4

U2

G

C24-770

SLx4



PH2

Gx4

4x28mm



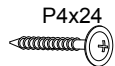
U2x4



PH2

3x20mm

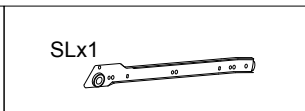
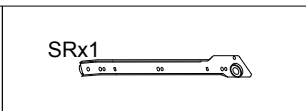
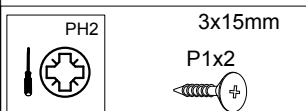
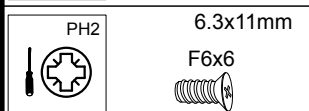
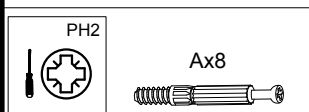
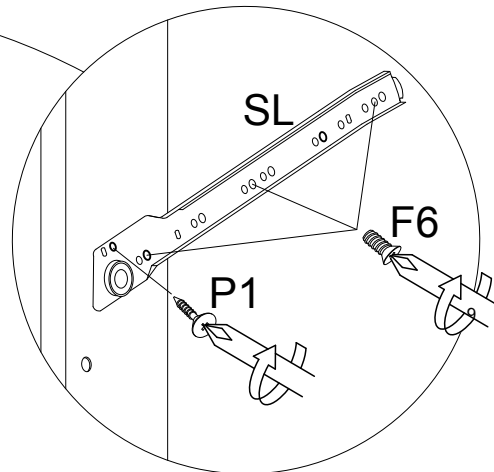
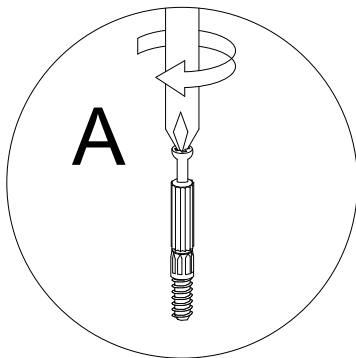
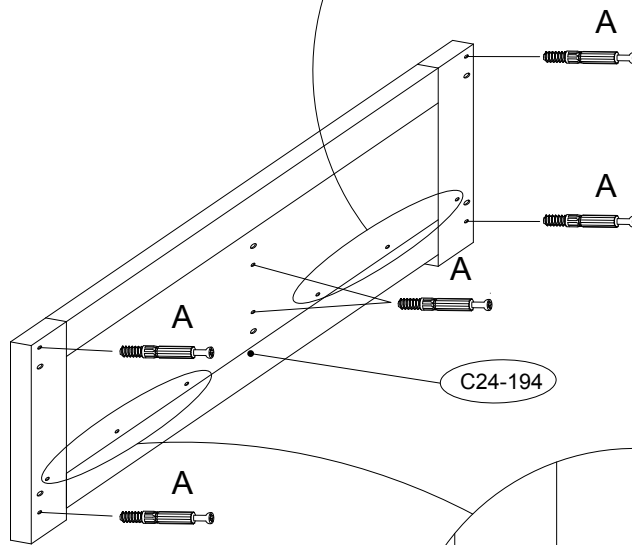
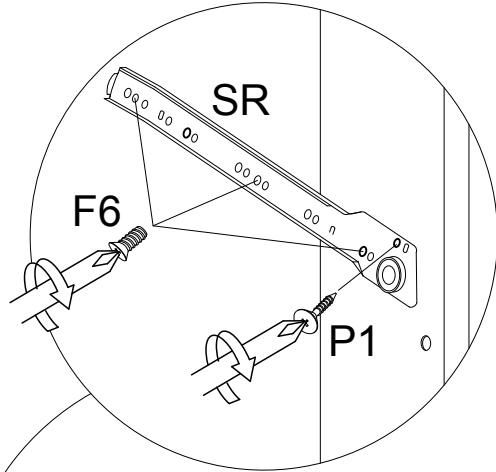
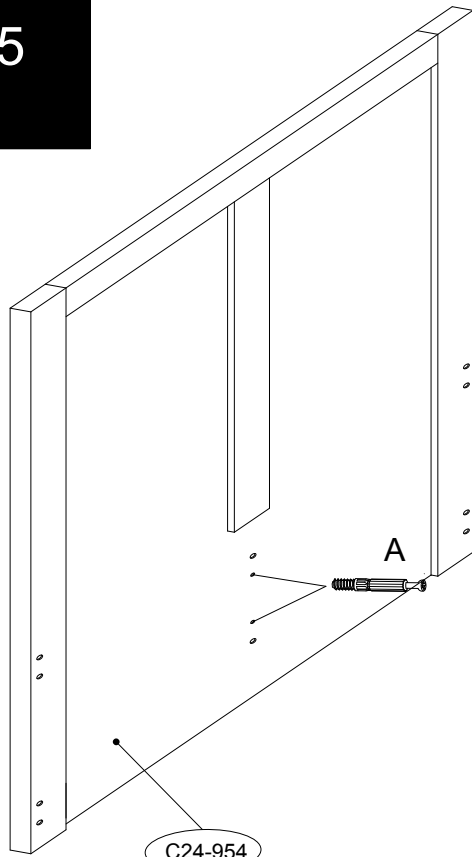
P4x24



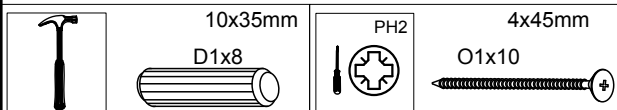
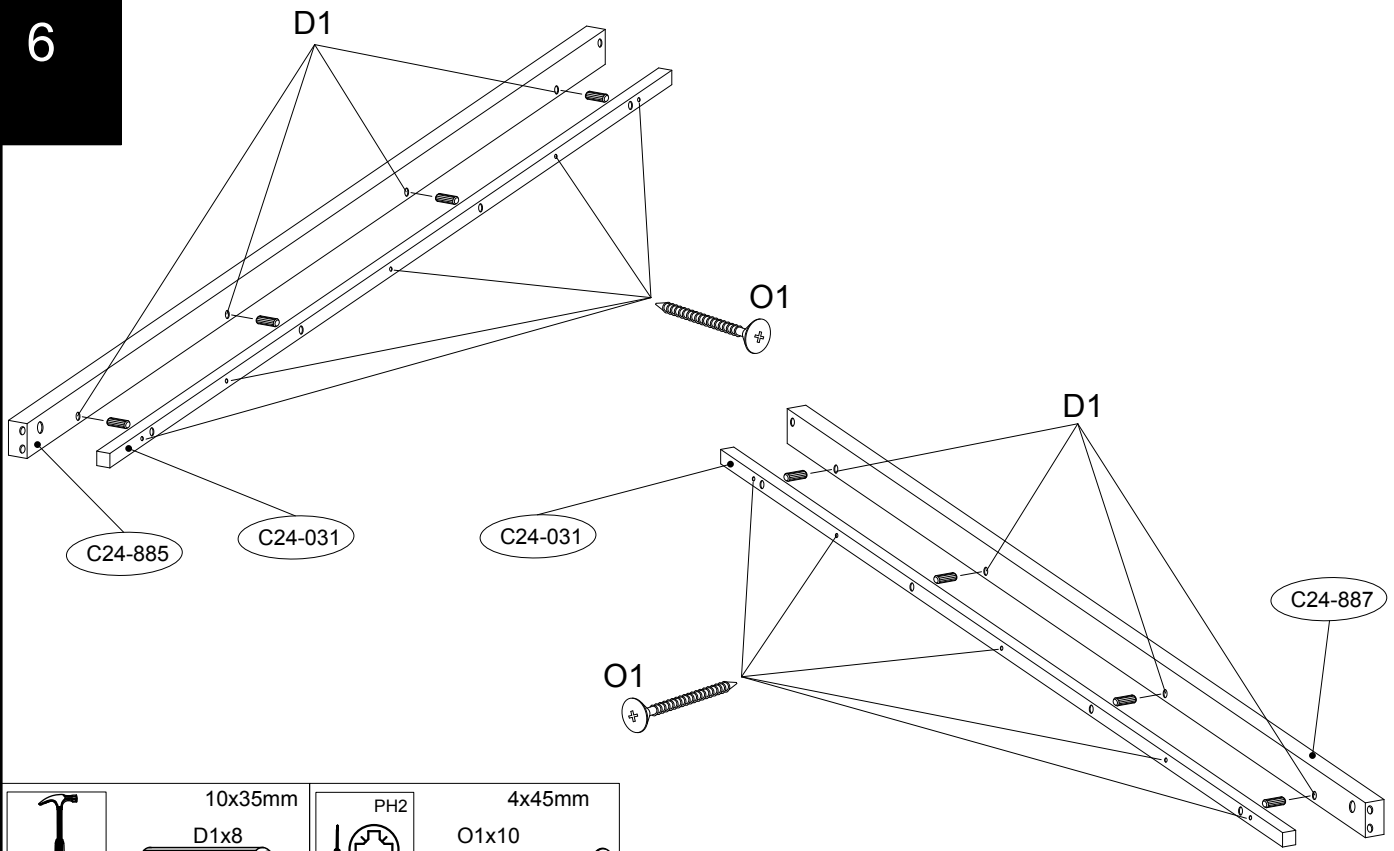
SRx4



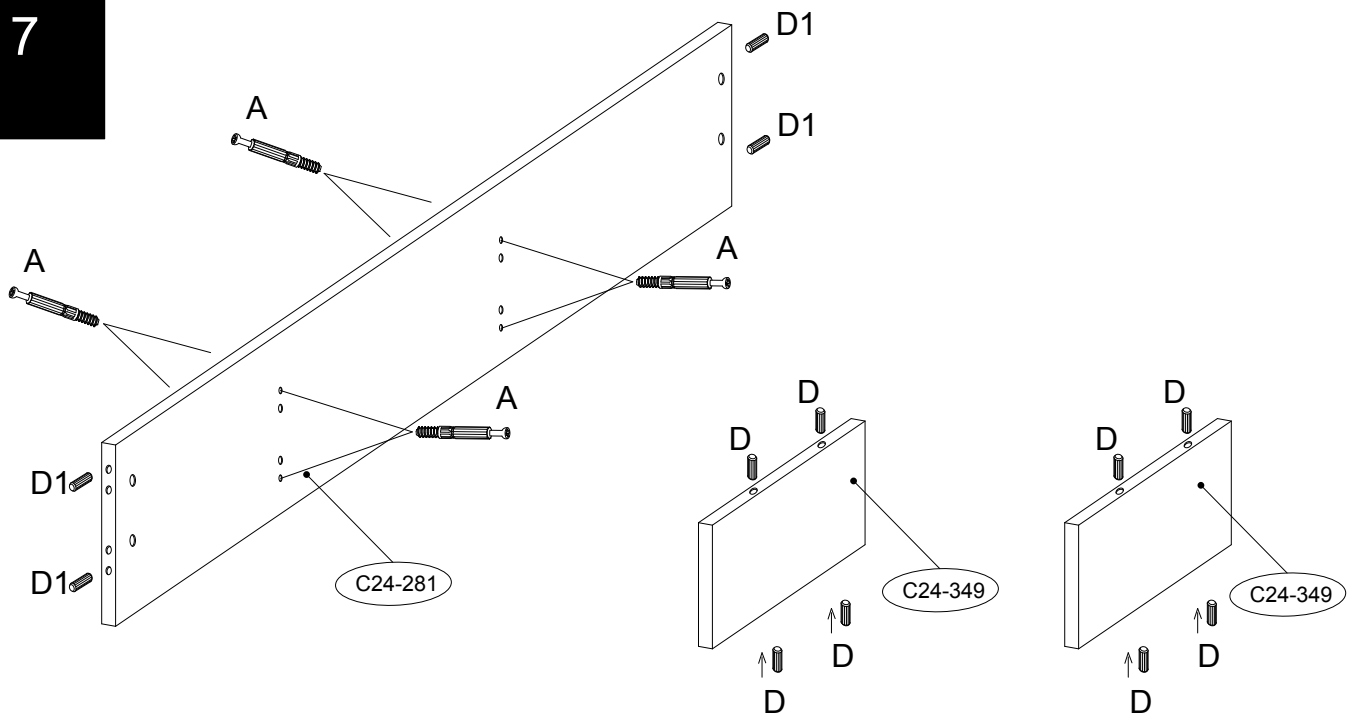
5



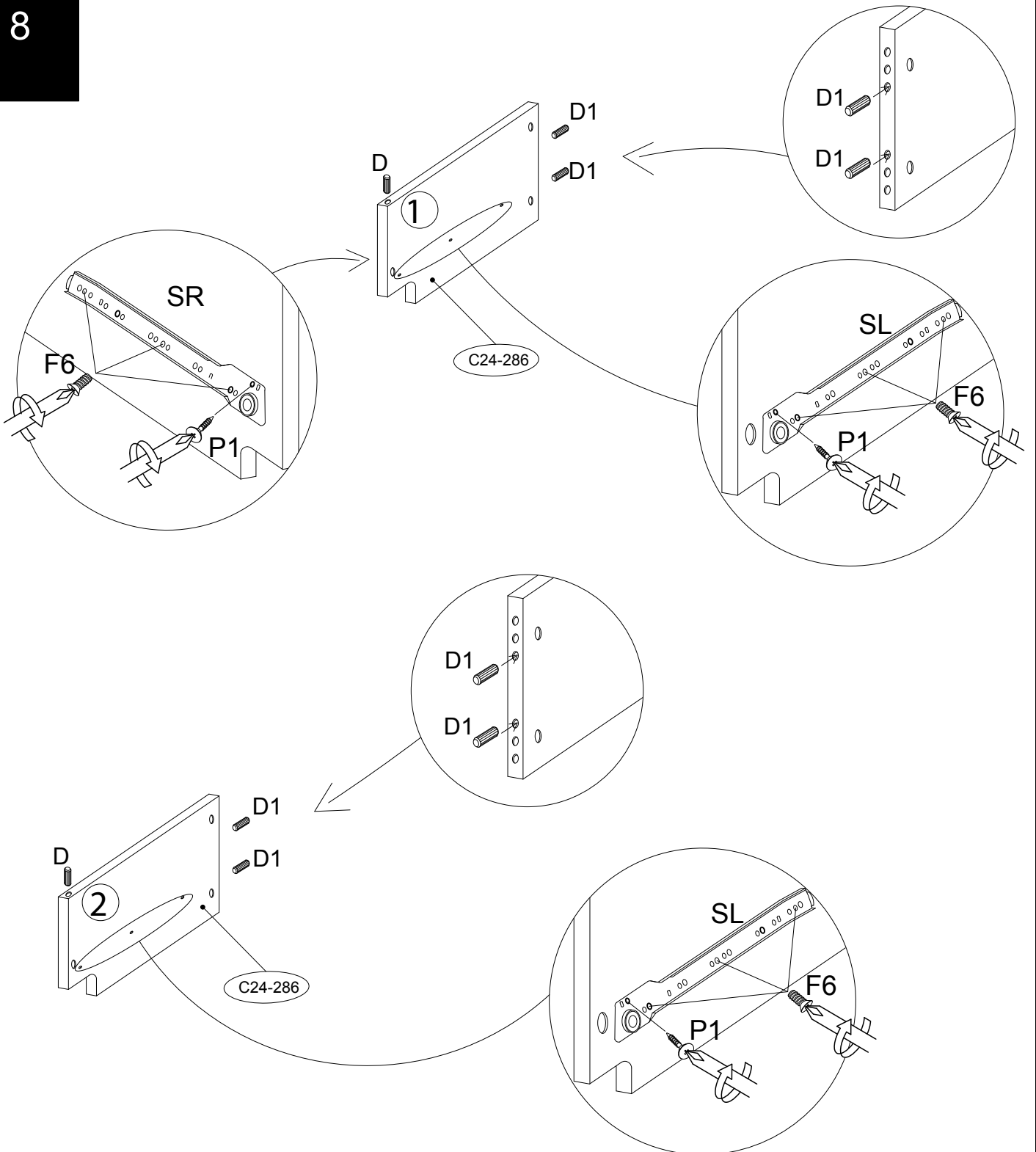
6

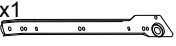




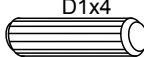



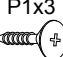


7

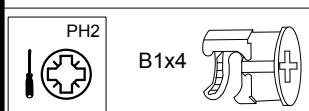
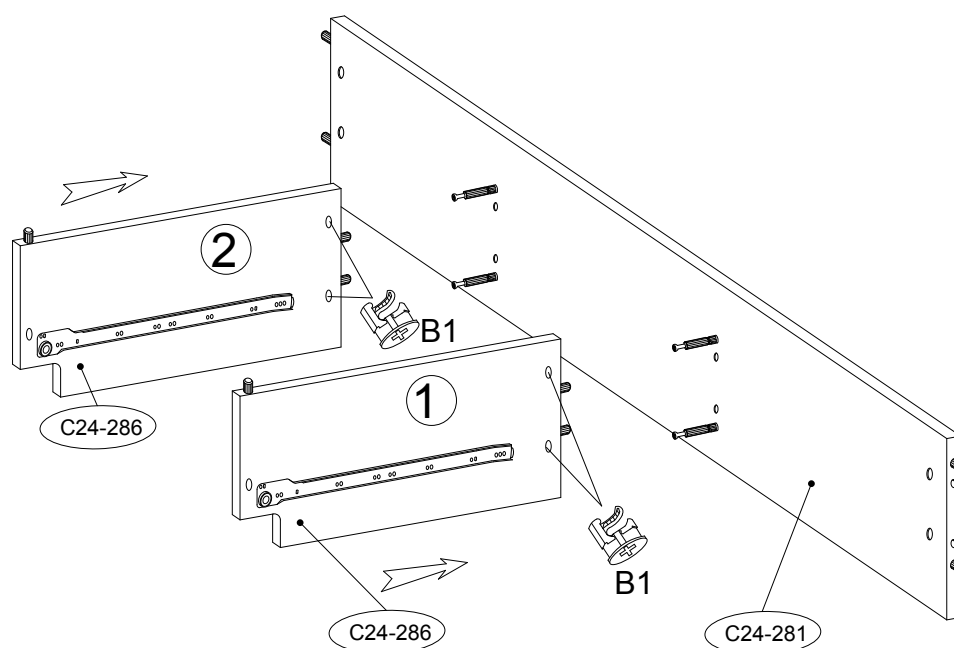
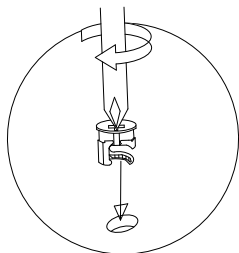


8

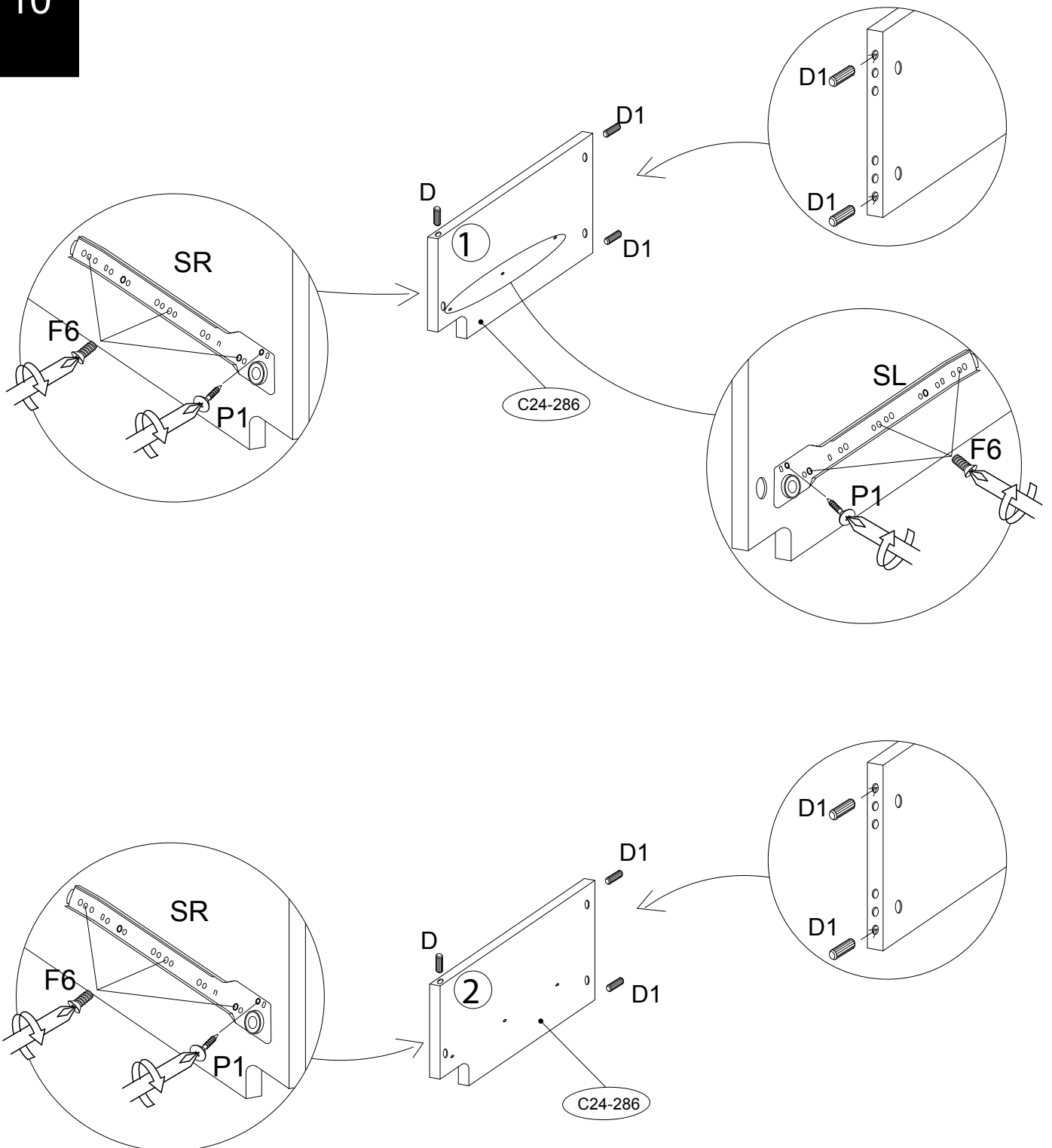


SRx1 	SLx2 						
	8x30mm Dx2 		10x35mm D1x4 		PH2 6.3x11mm F6x9 		PH2 3x15mm P1x3 

9

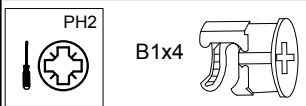
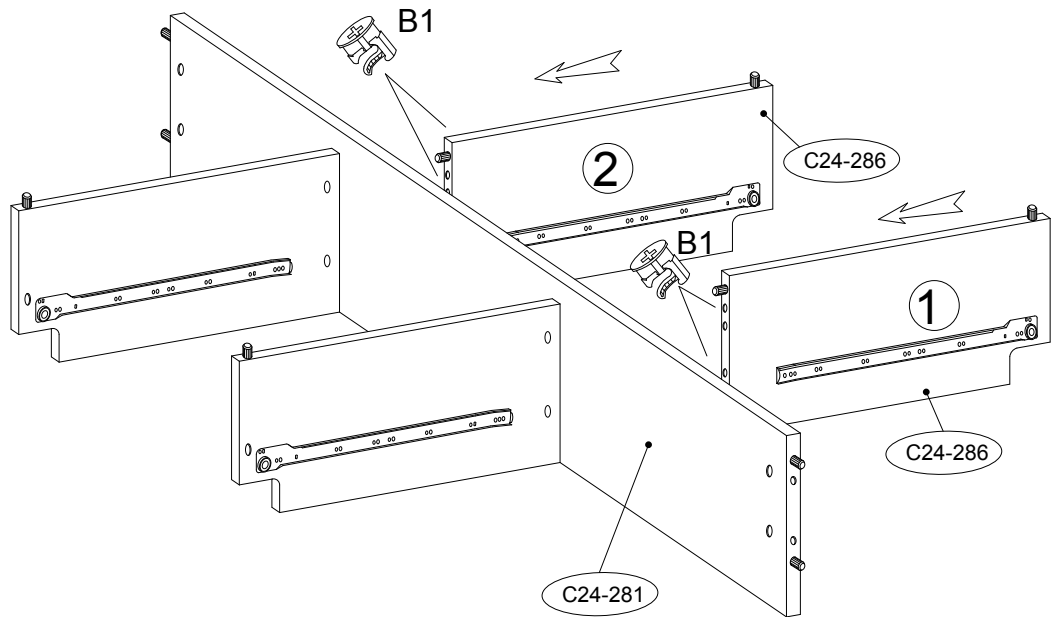
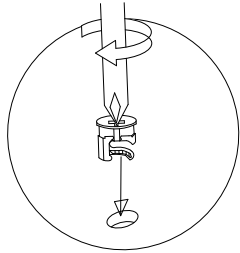


10

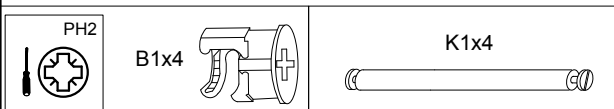
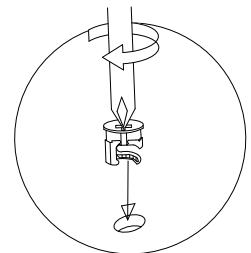
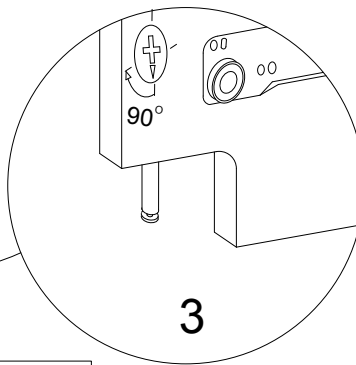
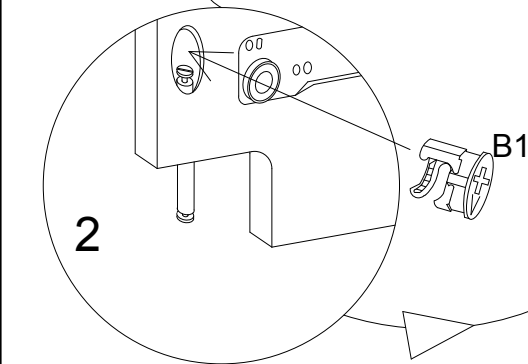
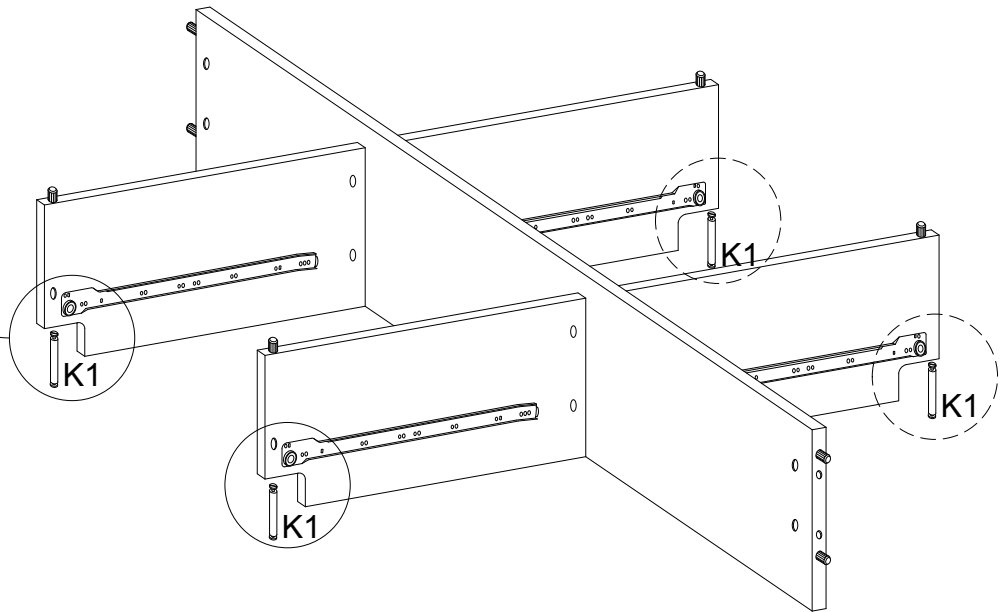
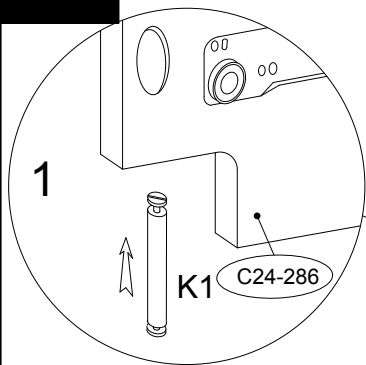


SRx2 	SLx1 						
 8x30mm Dx2 	 10x35mm D1x4 	 PH2 6.3x11mm F6x9 	 PH2 3x15mm P1x3 				

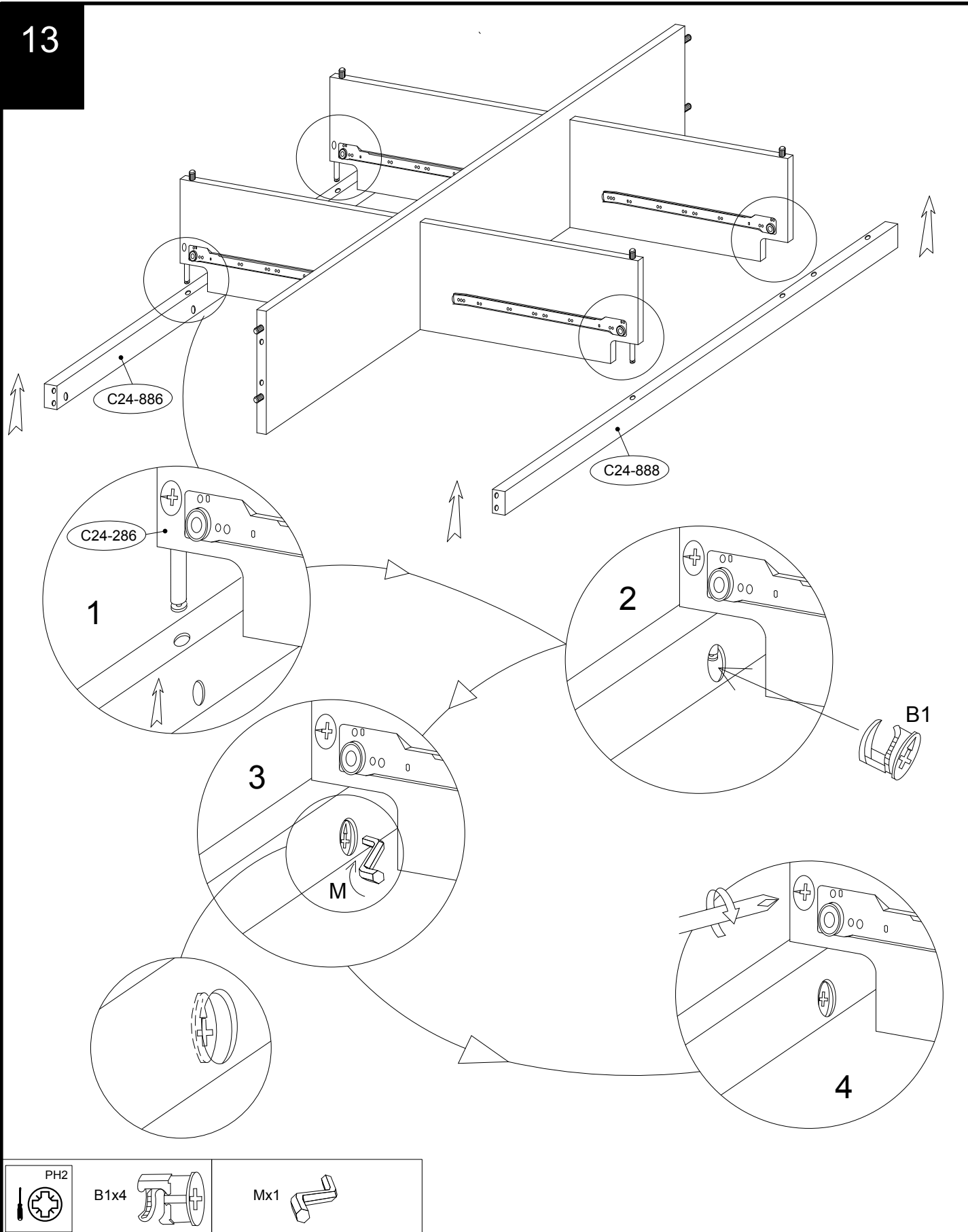
11



12

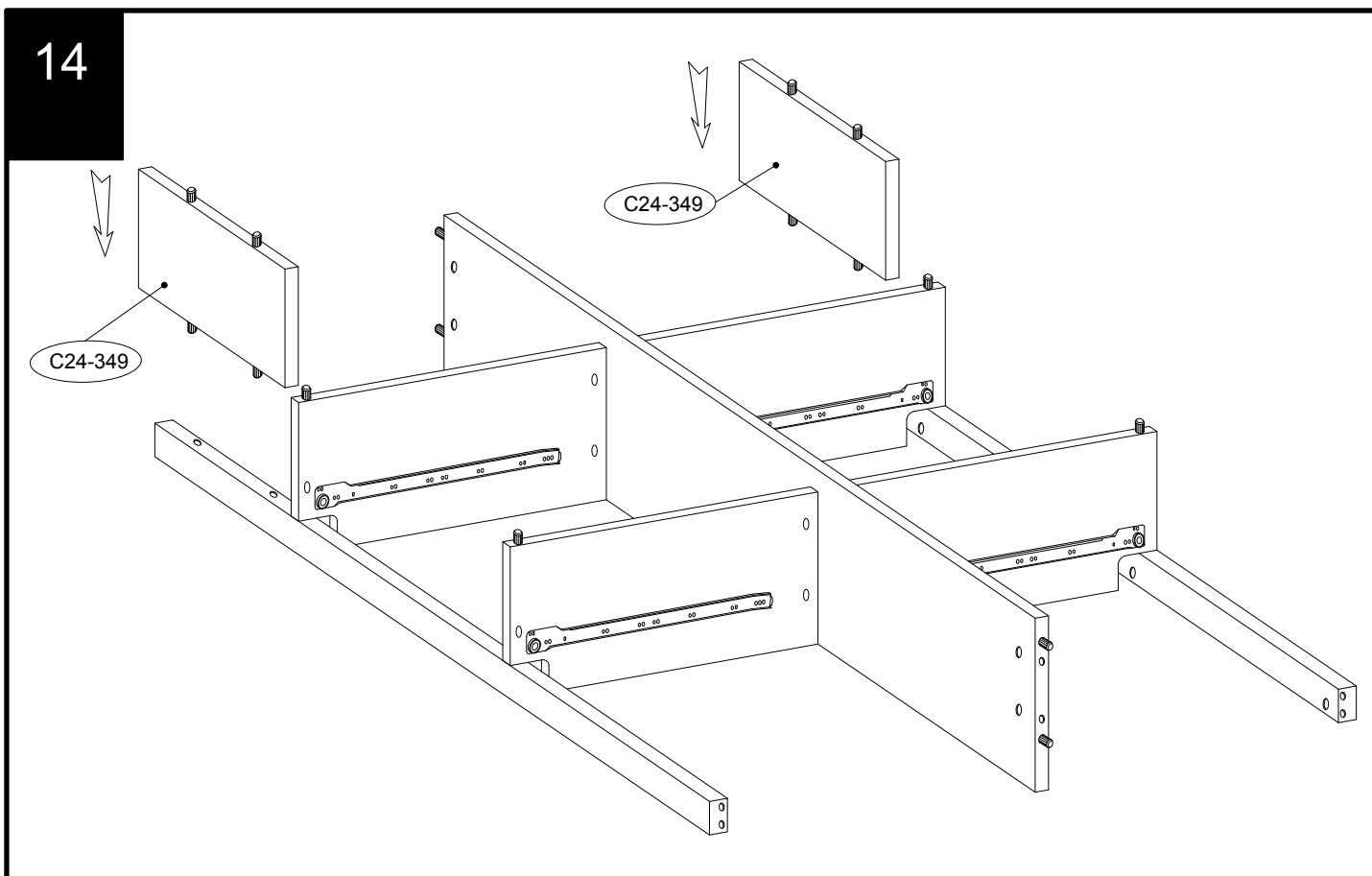


13

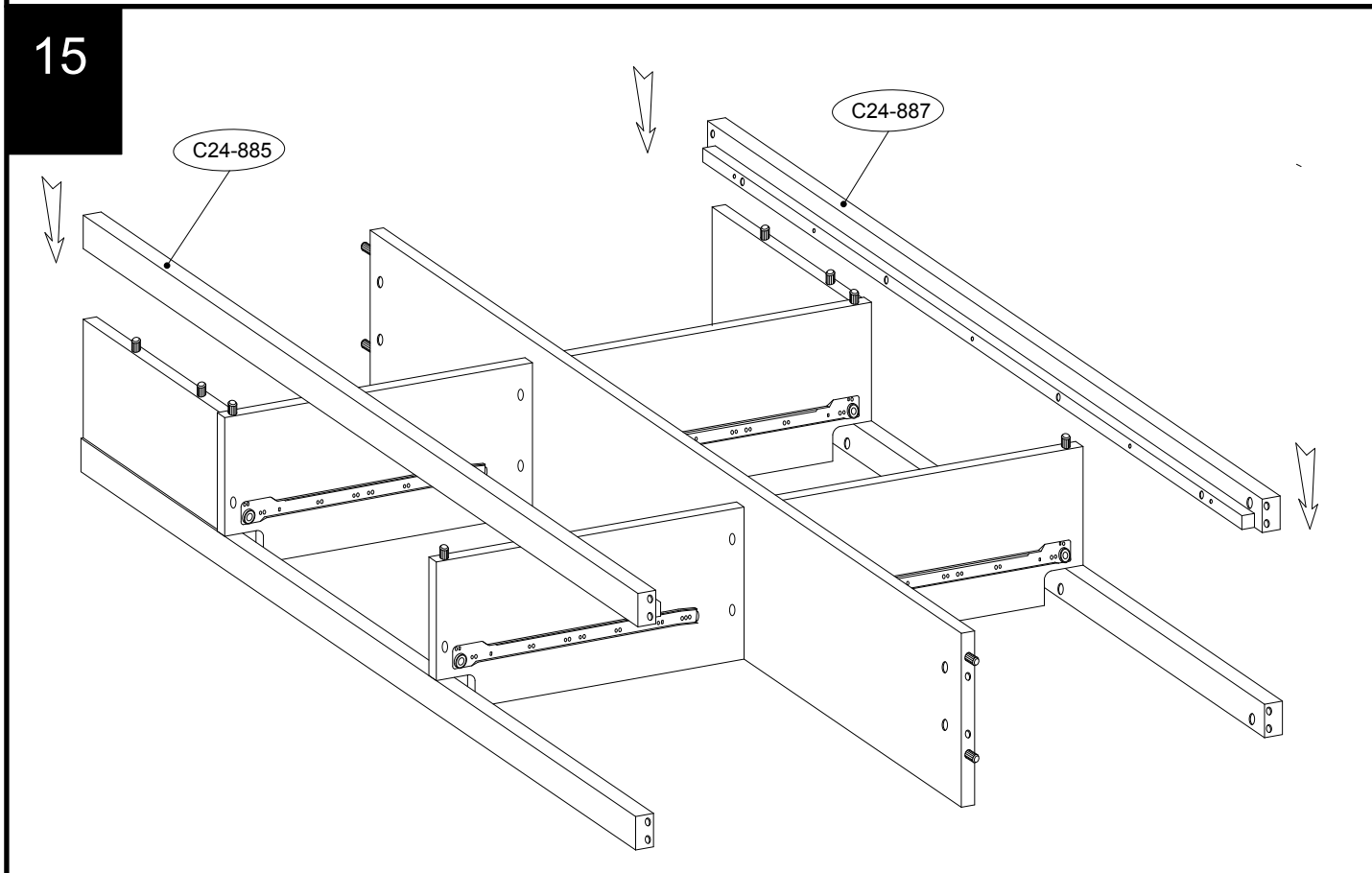




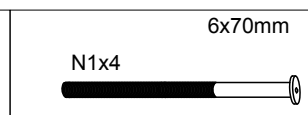
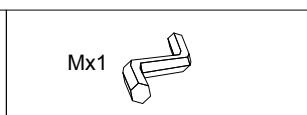
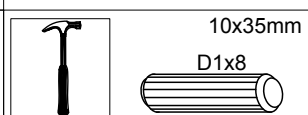
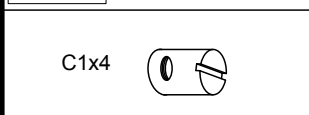
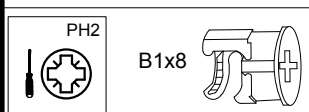
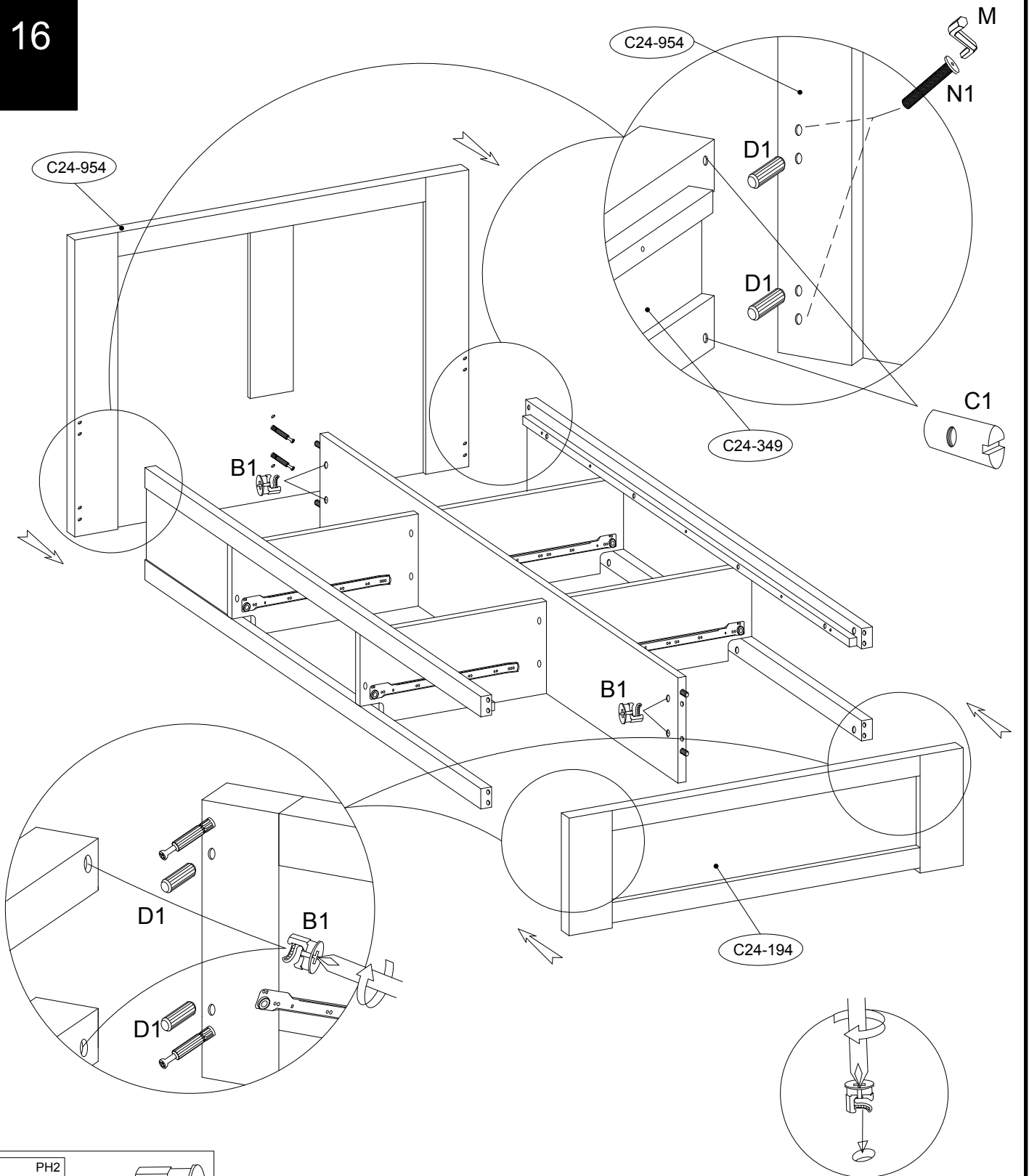
14



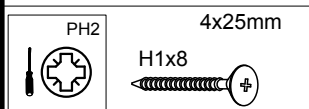
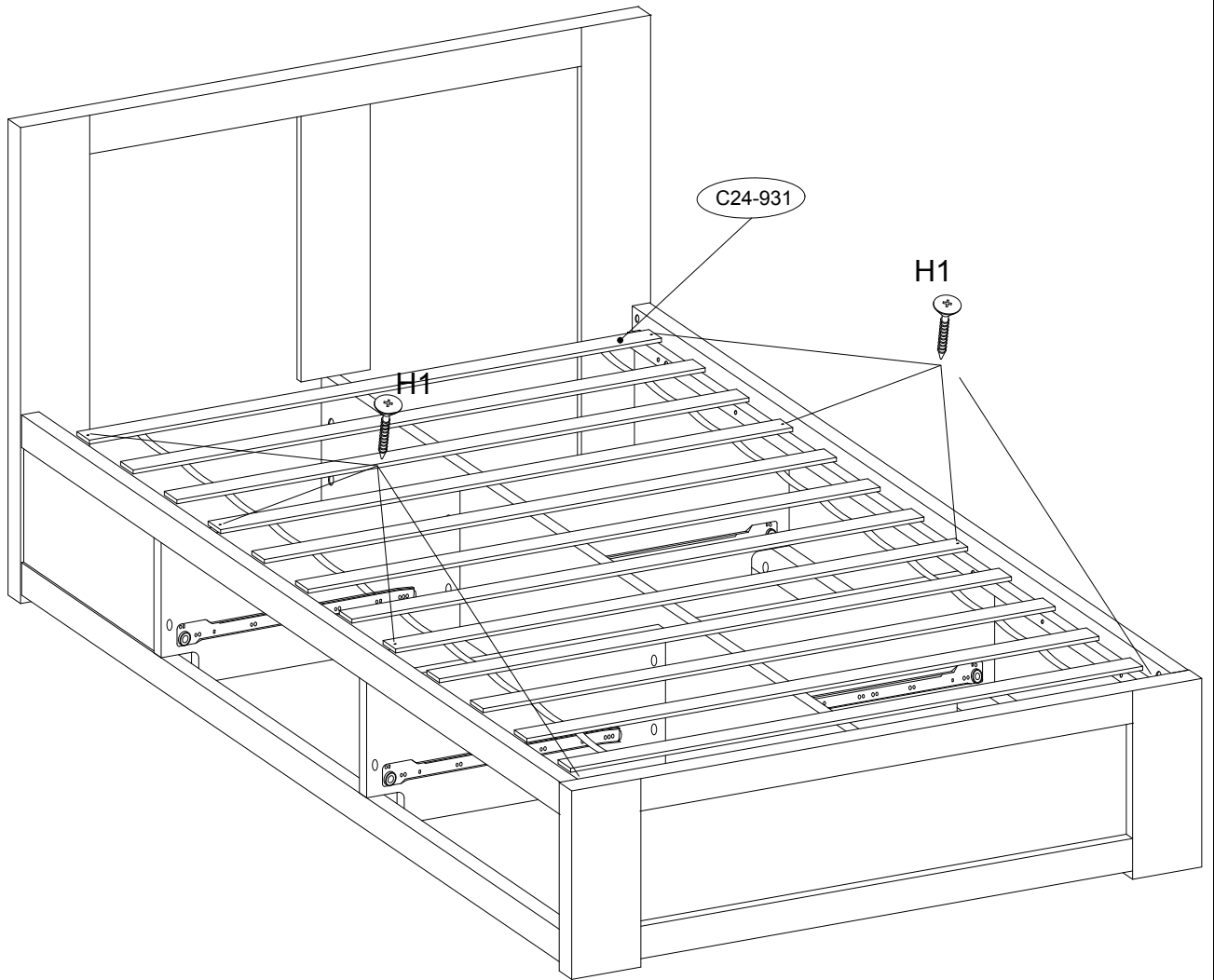
15



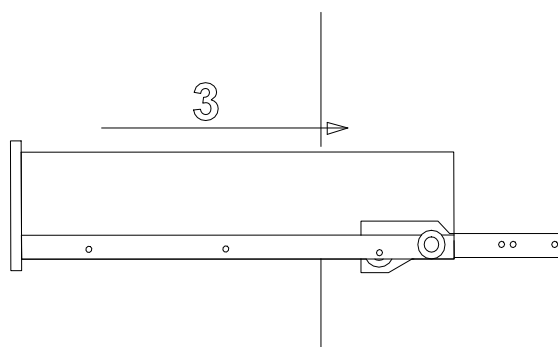
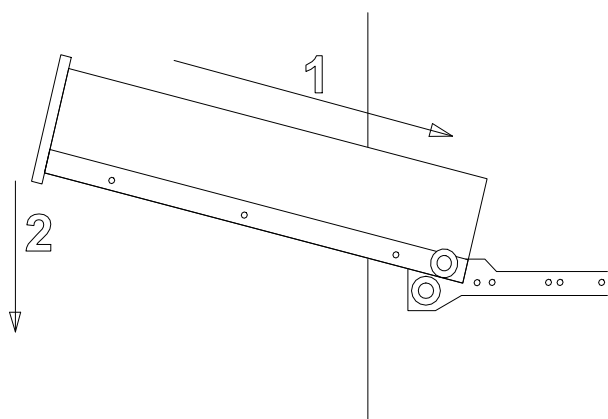
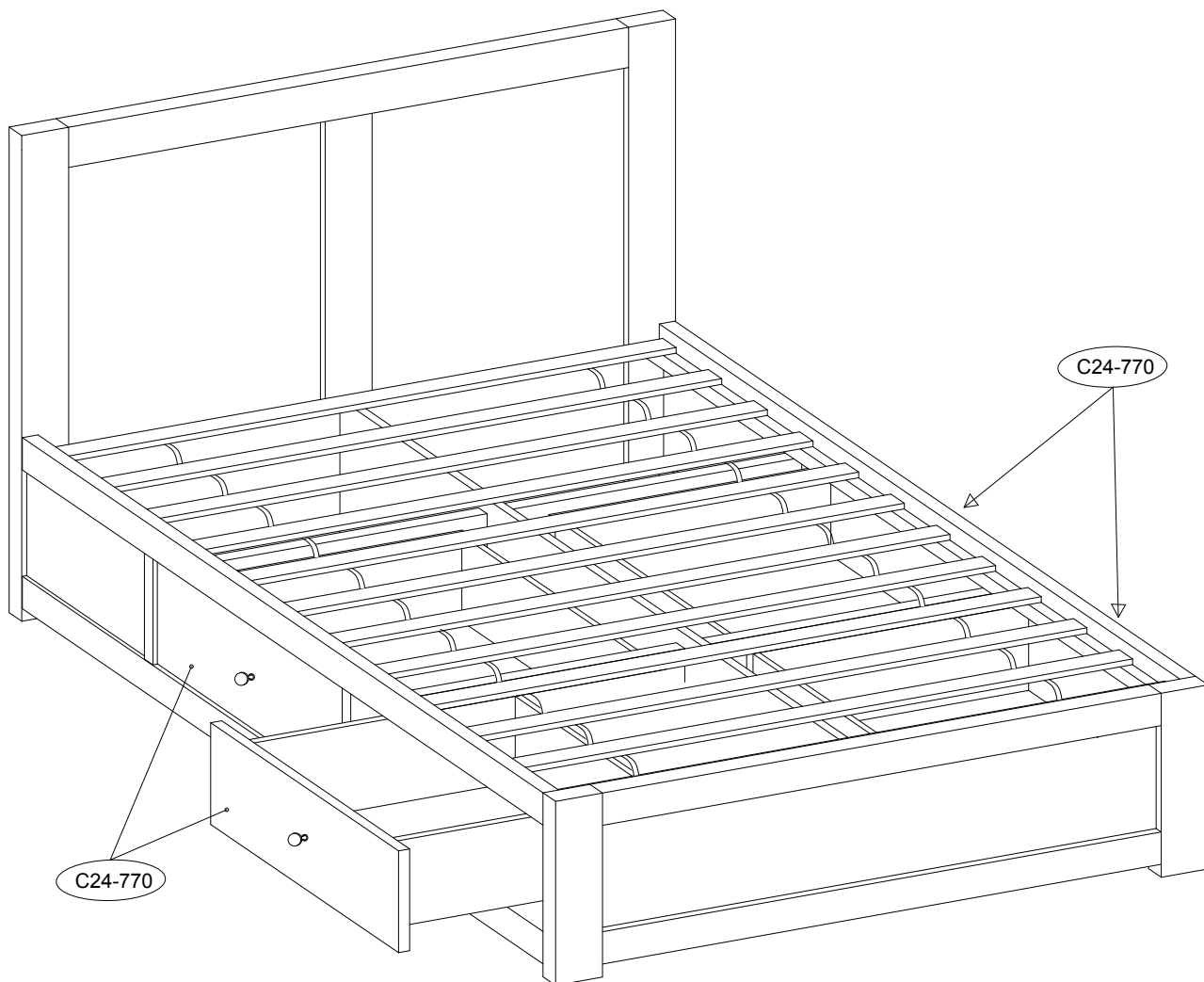
16



17



18



next

# SUSSEX STORAGE KING BED

427741-218

Assembly instructions

**Actual product size**  
H112 x W160 x D210cm

