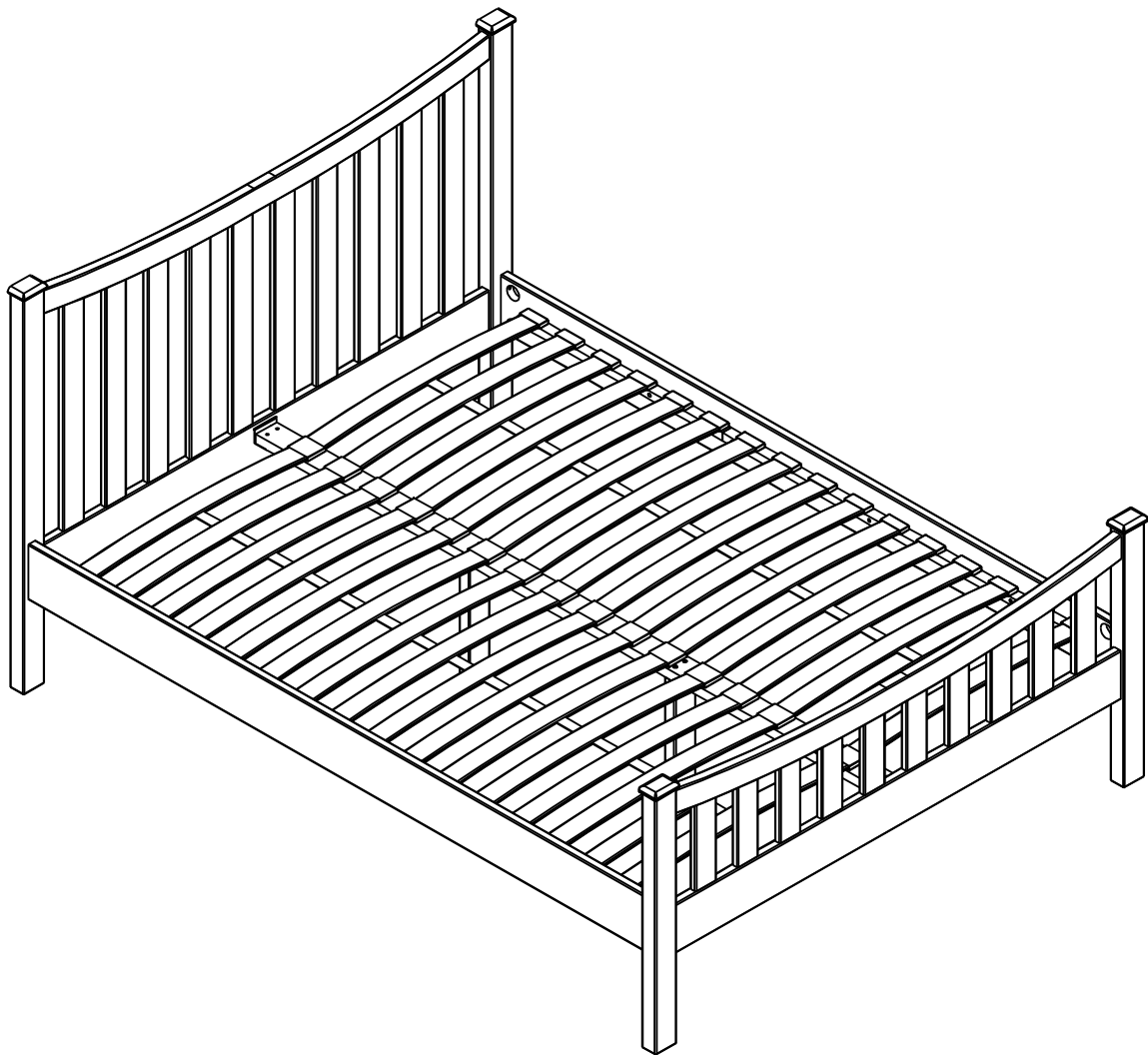


**next** **SHOREDITCH WOOD BED-KING**  
654344  
Assembly instructions

**Actual product size**  
H211.7 x W161 x D115cm



**IMPORTANT - RETAIN FOR FUTURE REFERENCE**

## BEFORE YOU START

### Warnings

**Important:** Retain these instructions for future reference.

**WARNING** Do not leave your child unattended-your child's safety is your responsibility.

**WARNING** Do not use the changer or dresser if any part is broken, torn or missing.

**WARNING** There are many small components used in the construction of this changer or dresser, these items should be kept out of reach of young children whilst assembling the unit .

Avoid exposing the furniture to excessive heat or direct sunlight as this can cause deterioration of the colour.

**WARNING** Never leave babies unattended.

### Do's

When you are ready to start, make sure that you have the right tools and plenty of space.

Due to the size of the product we recommend that it is assembled in the room intended for use.

Take care that no screws are loose, because a child could trap parts of the body or clothing, which could pose a risk of strangulation.

Unwrap all packaging materials and place the components on a clean surface to protect it from damage, We recommend that the packaging is used to protect the surfaces during assembly.

Carefully check that you have all the parts before beginning assembly.

Please periodically check all fittings and re-tighten as necessary. Please do not drag or pull your furniture.

Wipe occasionally with a soft cloth slightly dampened with water. Then buff with a dry clean soft cloth.

Wipe occasionally with a soft cloth slightly dampened with water. Then buff with a dry clean soft cloth.

We recommend a changing pad no more than 3cm in thickness.

Place your changer or dresser on a stable surface

### Don'ts

Never allow any kind of liquid to remain on your furniture. Absorption can cause wood to warp or finishes to de-laminate.

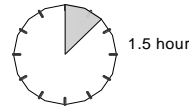
Do not place your changer or dresser in the close proximity of an open fire and the sources of heat, such as radiators, electric or gas fires.

Do not place your changer in the close proximity of windows.

### Number of people required to assemble

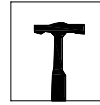
Two people are required to assemble this item

### Time to assemble

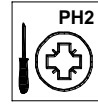


Look out for the symbol throughout this manual. Wherever you see it we will have a handy tip to help you with the assembly of your product.

### Tools required



not supplied



not supplied

### Missing parts

If you are missing any fixtures and fittings for your product. Please contact our customer service team on **0333 777 8999** and they will be happy to arrange for a replacement to be sent to you free of charge

### Home service technicians

you have a fault with your product. Please contact our customer service team on **0333 777 8999**. If you have had the product for 28 days or less you may be offered a replacement, **refund** or for a fully trained home service technician to visit your home to assess the fault and repair the product where possible. If you have had the **product** for more than 28 days we will send an independant home service technician **to** review and repair the product where possible and recommend further action.

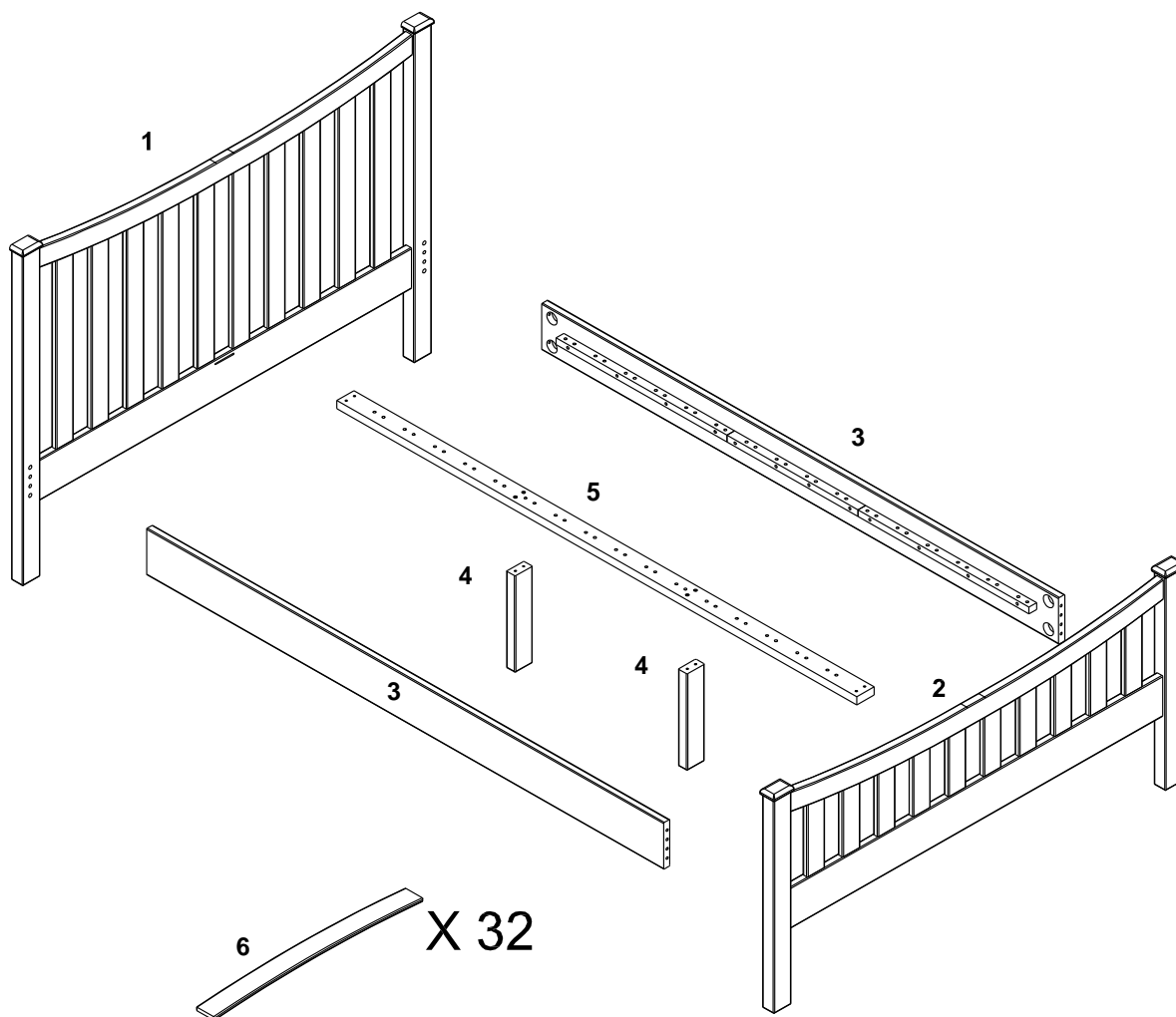
### You can write to us at

#### Home customer Services

Next Retail Ltd.  
Desford Road,  
Leicester,  
LE 19 4AT

To view our full furniture range please visit [www.next.co.uk](http://www.next.co.uk)







## GETTING TO KNOW YOUR PRODUCT



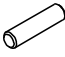


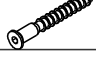













**CUSTOMER HELPLINE**

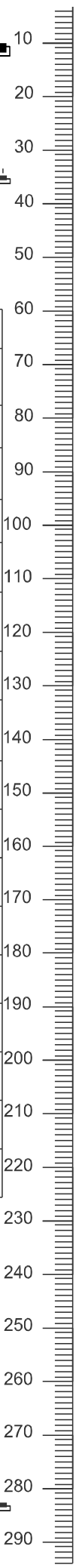
If you have any problem with this product or require any replacement fittings please contact customer services **0333 777 8999**

**Components supplied**

Ref	Dimensions	Visual	Qty
1	161 x 115cm		1
2	161 x 75cm		1
3	202 x 16cm		2
4	33.2x 6.8cm		2
5	203.3x 6.8cm		1
6	75.3 x 6cm		32

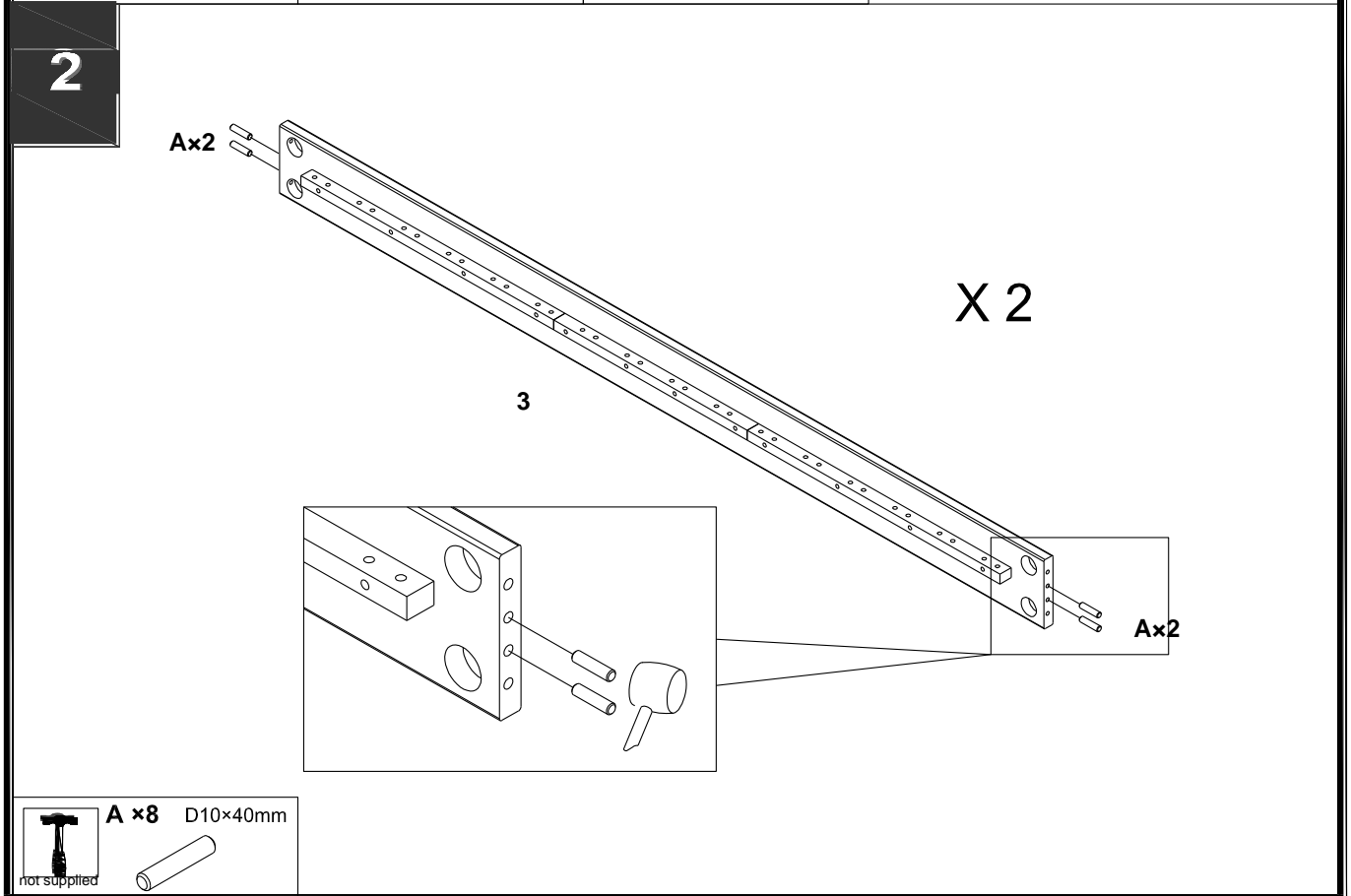
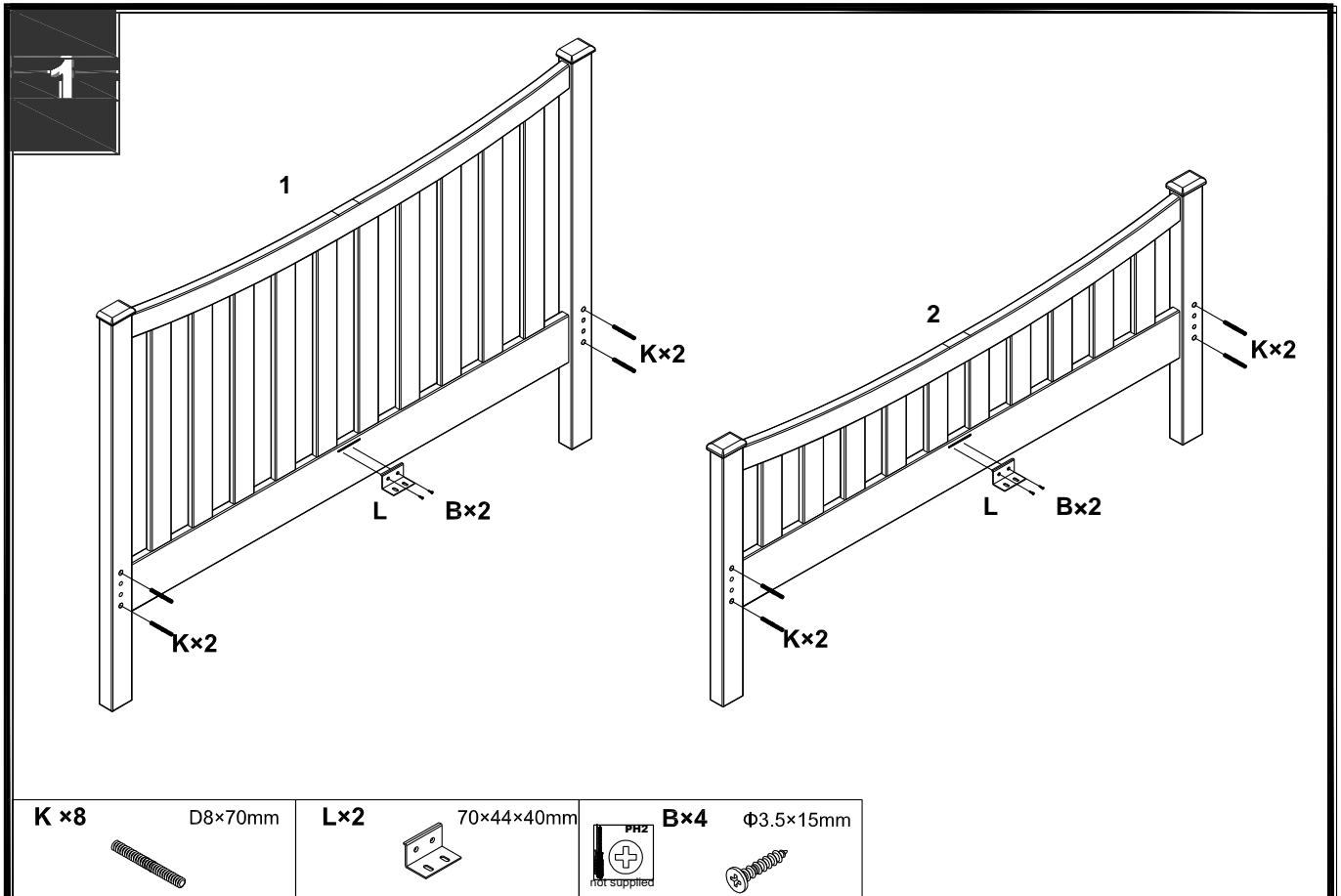
**Fixtures and fittings supplied**

Ref	Dimensions	Visual	Qty
A	D10×40mm		8
B	Φ3.5×15mm		20
C	Φ6×Φ20mm		8
D	Φ7×50mm		4
E	60×23mm		1
F	Φ6×40mm		4
G	M6		4
H	L=1852mm		2
I	82×22mm		1
J	61×25mm		1
K	Φ8×70mm		8
L	70×44×40mm		2
M	23×23×30mm		4
N	31×15×8mm		8
O	M8		8
P	66×30×28mm		16
Q	66×58×28mm		32

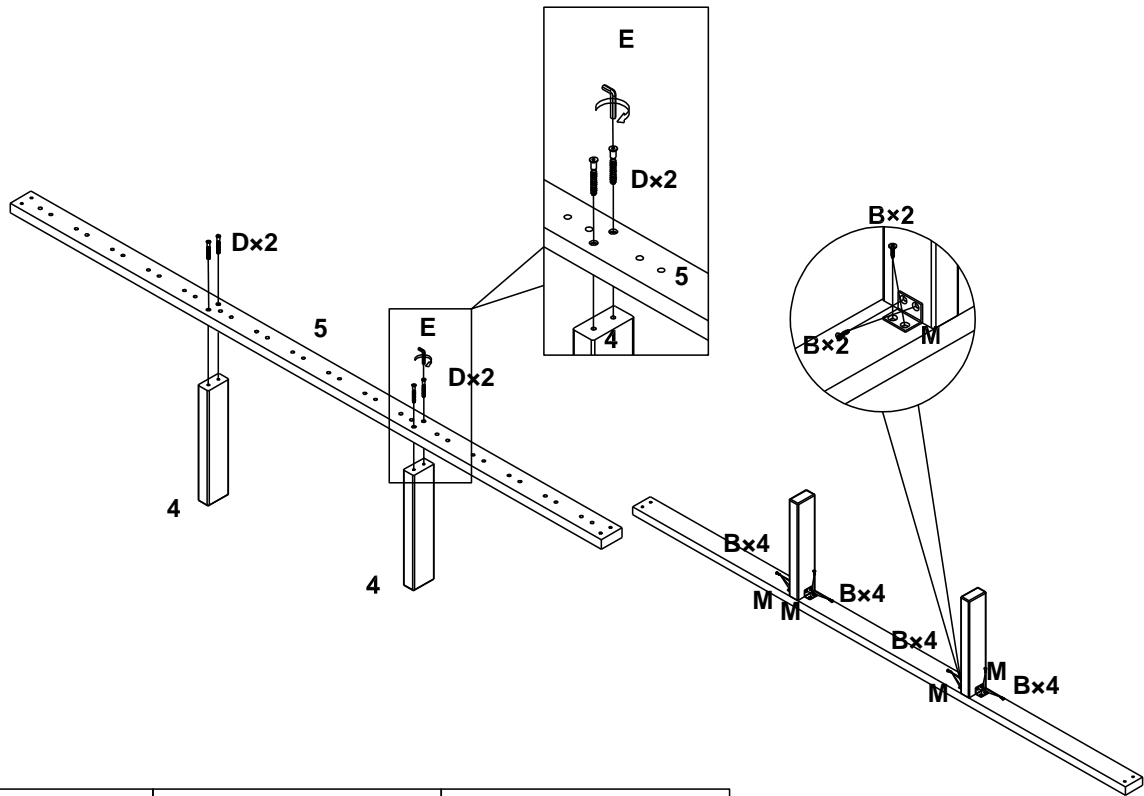


# SHOREDITCH WOOD BED-KING

654344  
Assembly instructions



3



**Bx16**  $\Phi 3.5 \times 15\text{mm}$



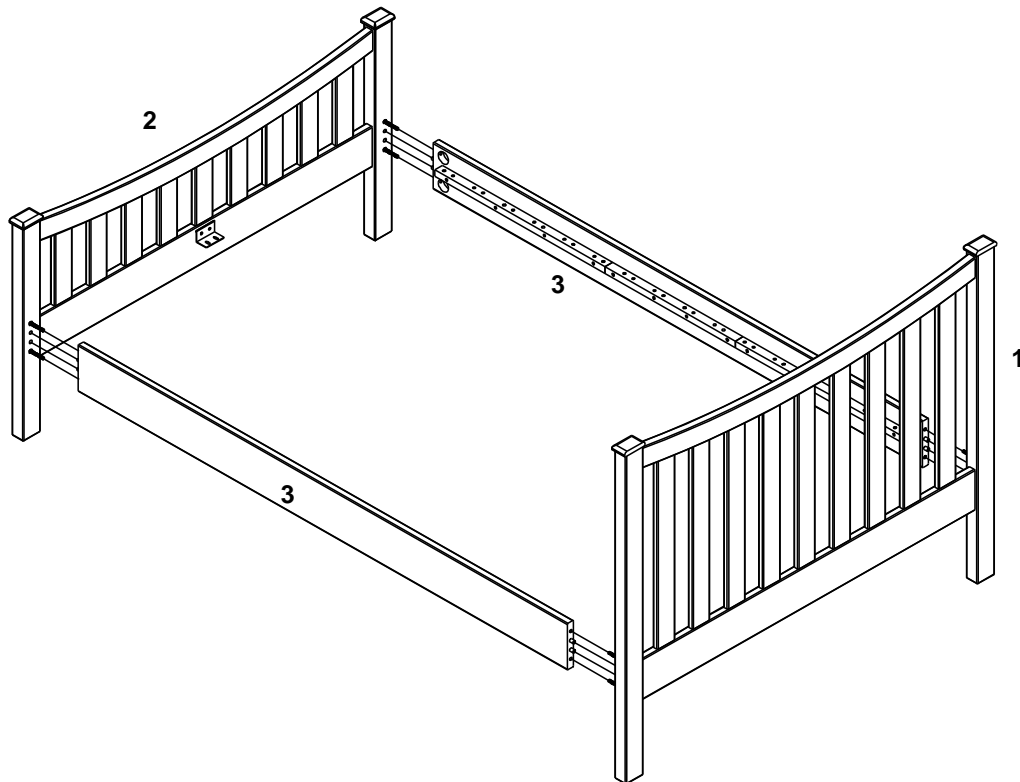
**Dx4**  $\Phi 7 \times 50\text{mm}$



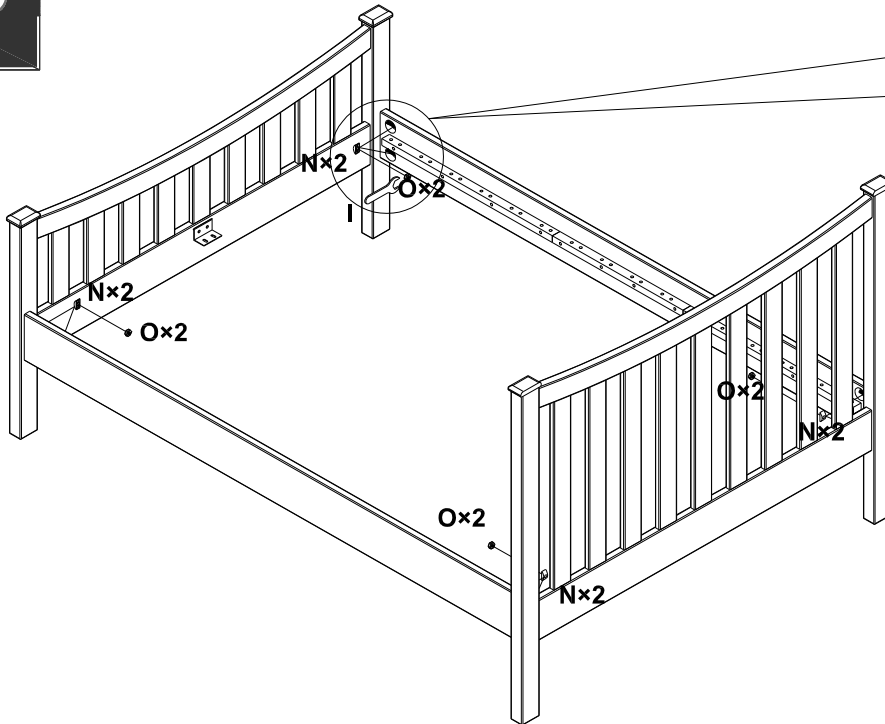
**Mx4** 23x23x20mm



4



5



N x 8

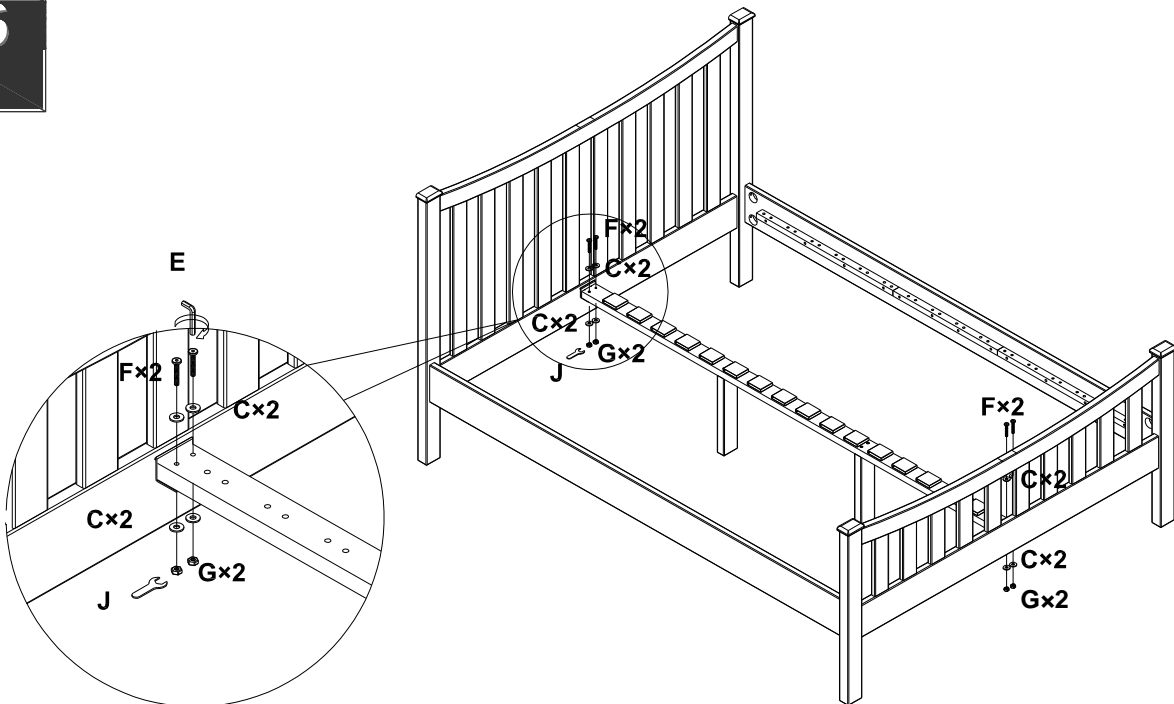
31x15x8mm

O x 8

M8



6



G x 4

M6

C x 8

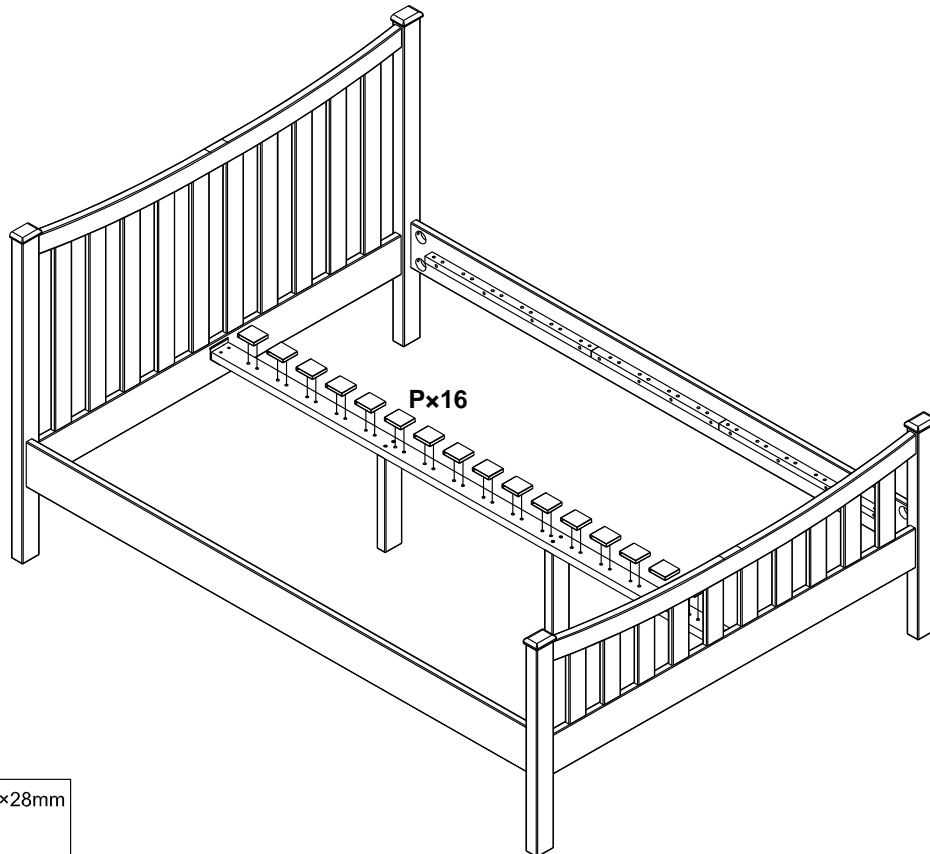
Φ6xΦ20mm

F x 4

Φ6x40mm



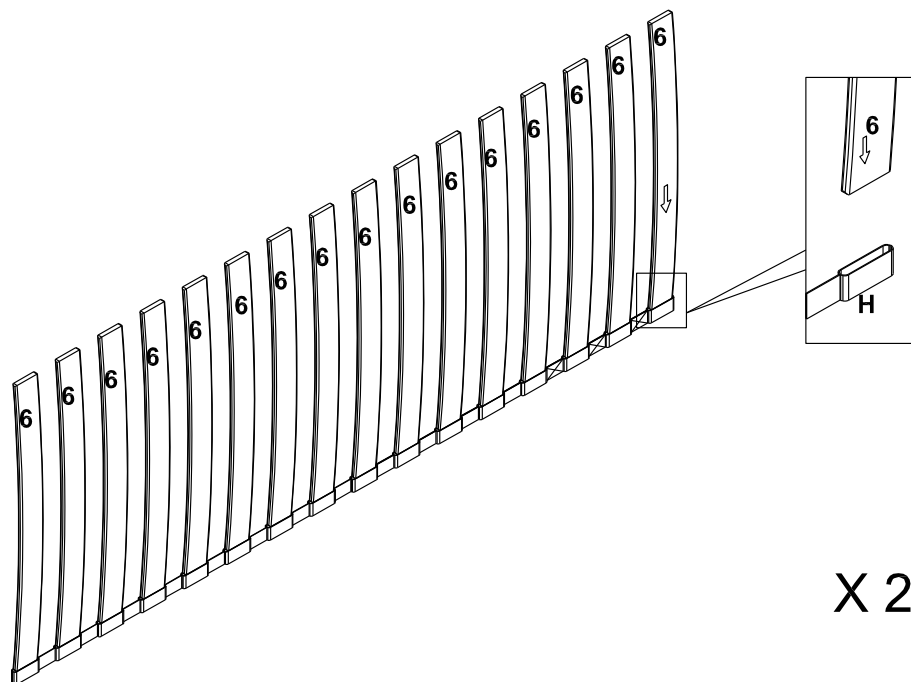
7



**P×16** 66×58×28mm



8

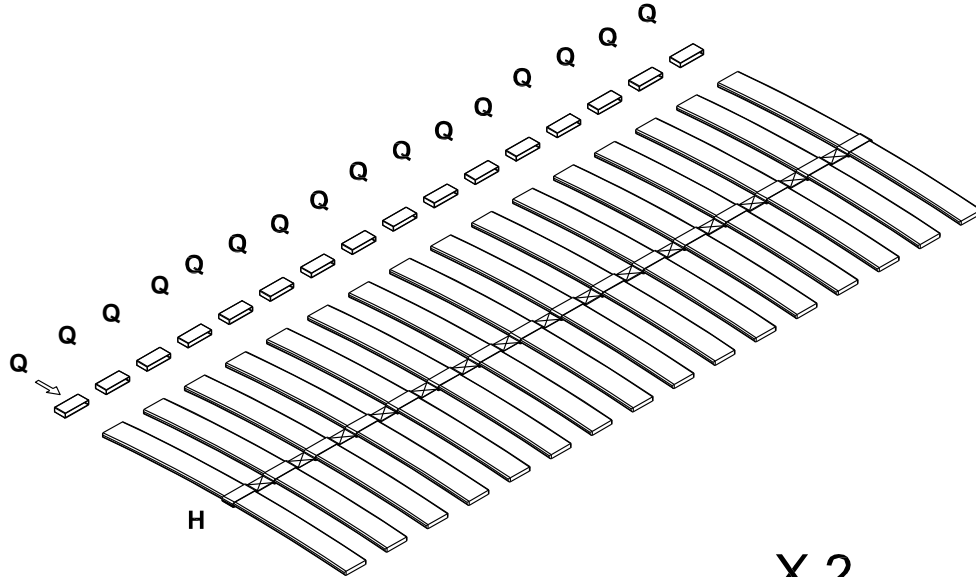


**H × 1** L=1852mm





9



X 2

Q x32 66x30x28mm



10

