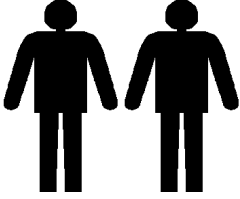


659640 SIENNA BEDSIDE

ASSEMBLY INSTRUCTIONS

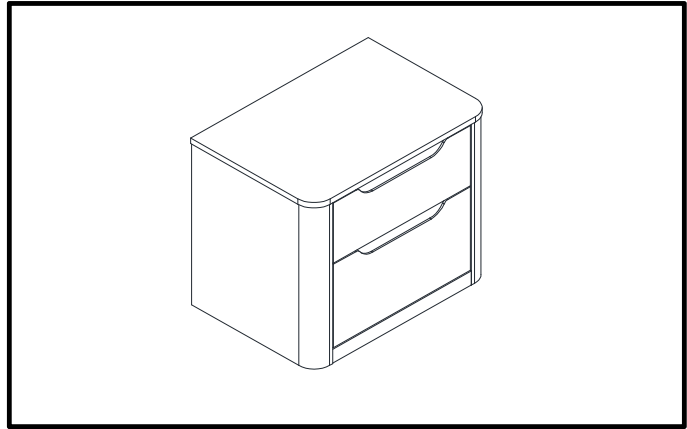
IMPORTANT - RETAIN FOR FUTURE REFERENCE - READ CAREFULLY

Tools Needed



Helpline

If you have any problems with this product or require any replacement fittings please contact Customer Services
Tel: 0333 777 8999



Regrettably self assembly items cannot be returned once assembly is part or fully completed unless the item is found to be faulty. Should you need to return the unassembled product, please repack in the original packaging.

IMPORTANT

- We suggest you spend a short time reading through this leaflet and then follow the simple step-by-step instructions.
- Carefully check that you have all parts before beginning assembly.
- Keep fittings out of children's reach and keep children well away from the construction area.
- We recommend that the packaging is used to protect the surfaces during assembly.
- A minimum of two persons is required to assemble this product.

PRODUCT INFORMATION

- Made from PB, MDF, hollow board & Honeycomb board with a pvc foil finish.
- Made in China.

CARE INSTRUCTIONS

- Gloss finishes are prone to light surface scratch and it is therefore very important that you care for this item correctly.
- For general cleaning, periodically dust with a soft clean lint-free cloth or a soft micro fibre cloth. Please note soft cloths (including yellow dusters) contain abrasive fibres which can lightly scratch the surface, if in doubt please try your cloth in an inconspicuous area of the furniture first to assess its suitability. A sample of a suitable cloth for cleaning is included within the hardware pack
- Do not rub or scrub the surface when cleaning.
- Do not use furniture polish.
- Any spills should be removed immediately with a soft clean damp cloth and dried immediately.
- Ensure the product is protected with mats and coasters when items are placed on the surfaces, to prevent scratching or damage.
- Do not put hot dishes directly on the surfaces of the item.
- Avoid keeping furniture in direct sunlight or close to any heat sources as this can cause cracking, discolouration or warping.
- Never drag pieces of furniture across the floor as this will cause damage to the joints.
- All assembly fixings should always be tightened properly and periodically check all fixings and tighten if necessary.

FITTINGS

AX8
6*30mm



BX14
8*30mm



CX2
5g



DX16
Ø15*9.5mm



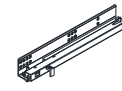
EX16
Ø7.5*35mm



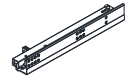
FX12
Ø4*38mm



GX2
42*39*278m/m



HX2
42*39*278m/m



IX12
4*14mm



JX4
3*14mm

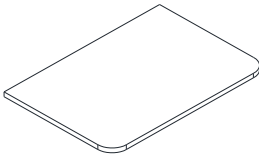


KX1
3*12m/m

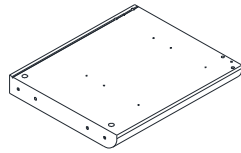


PARTS

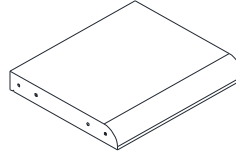
1X1



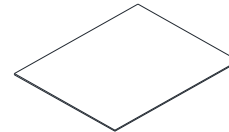
2X1



3X1



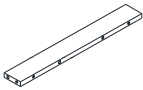
4X1



5X1



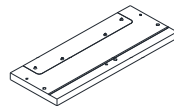
6X1



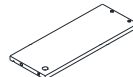
7X1



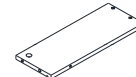
8X1



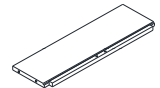
9X1



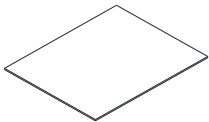
10X1



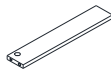
11X1



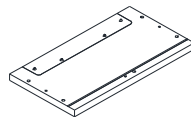
12X2



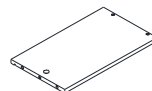
13X2



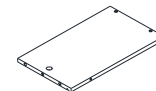
14X1



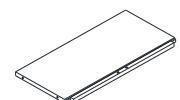
15X1



16X1



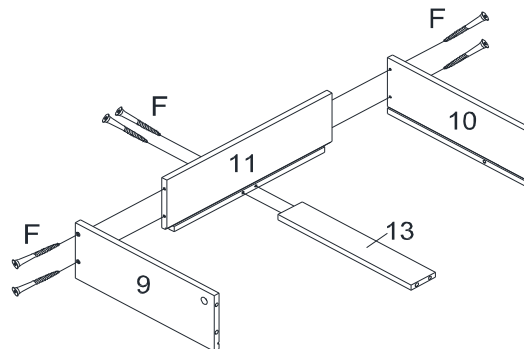
17X1



STEP ONE

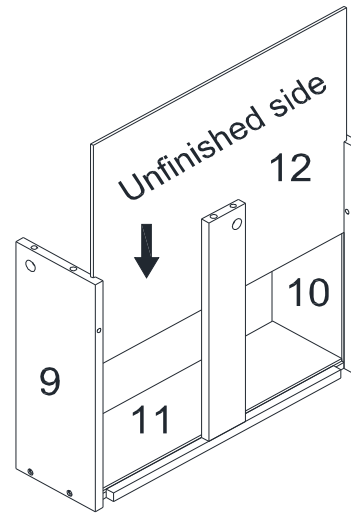
Please note: Remove the protective film after assembly of this product unless it is stated in the steps to do so - this will prevent accidental scratches during assembly

1. Attach panels 9, 10 & 13 to panel 11 with 6 x screws (F) and tighten with a screwdriver.



STEP TWO

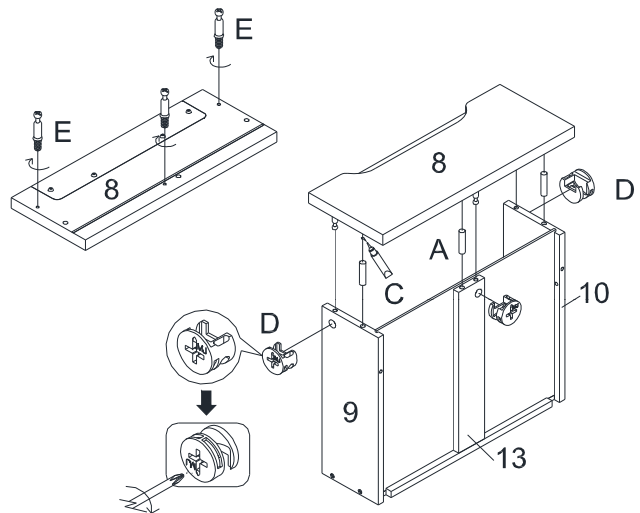
1. Slide panels 12 into the assembled drawer frame.



STEP THREE

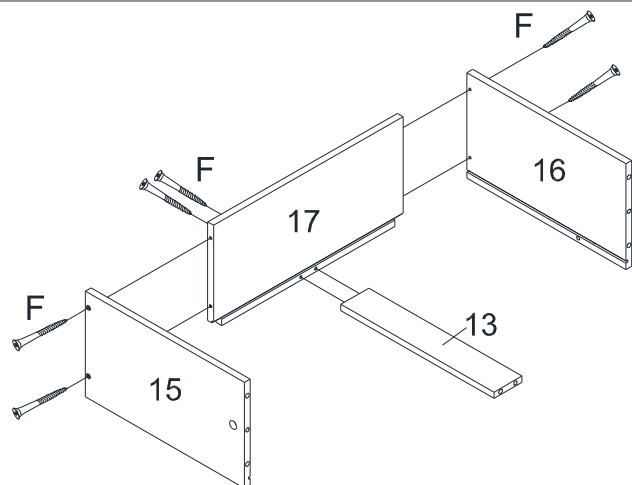
1. Insert 3 x camblots (E) into panel 8 and tighten with a screwdriver.
2. Glue (C) and insert 3 x wooden dowels (A) into panels 9, 10 & 13.
3. Attach panel 8 to the assembled drawer frame.
4. Insert 3 x camlocks (D) into panels 9, 10 & 13 and tighten with a screwdriver.

Ensure the arrow indicator is pointing towards the panel edge and ensure the assembly bolt locates properly into the camlock before turning



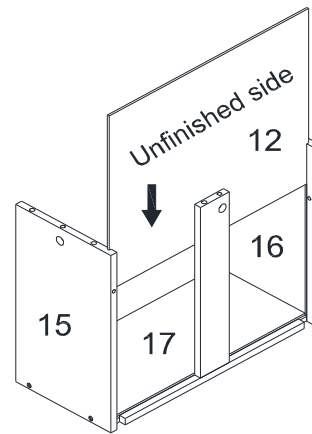
STEP FOUR

1. Attach panels 15, 16 & 13 to panel 17 with 6 x screws (F) and tighten with a screwdriver.



STEP FIVE

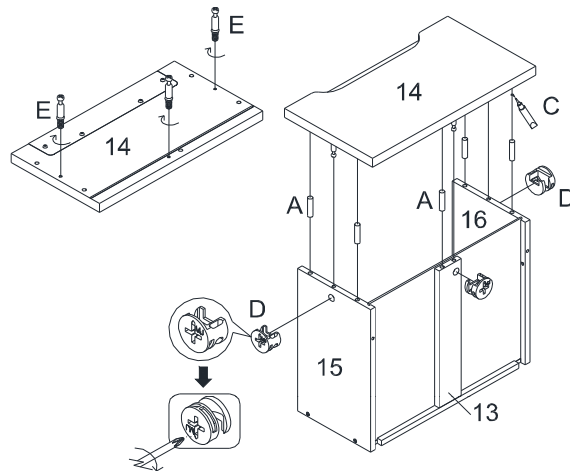
1. Slide panels 12 into the assembled drawer frame.



STEP SIX

1. Insert 3 x camblots (E) into panel 14 and tighten with a screwdriver.
2. Glue (C) and insert 5 x wooden dowels (A) into panels 15, 16 & 13.
3. Attach panel 14 to the assembled drawer frame.
4. Insert 3 x camlocks (D) into panels 15, 16 & 13 and tighten with a screwdriver.

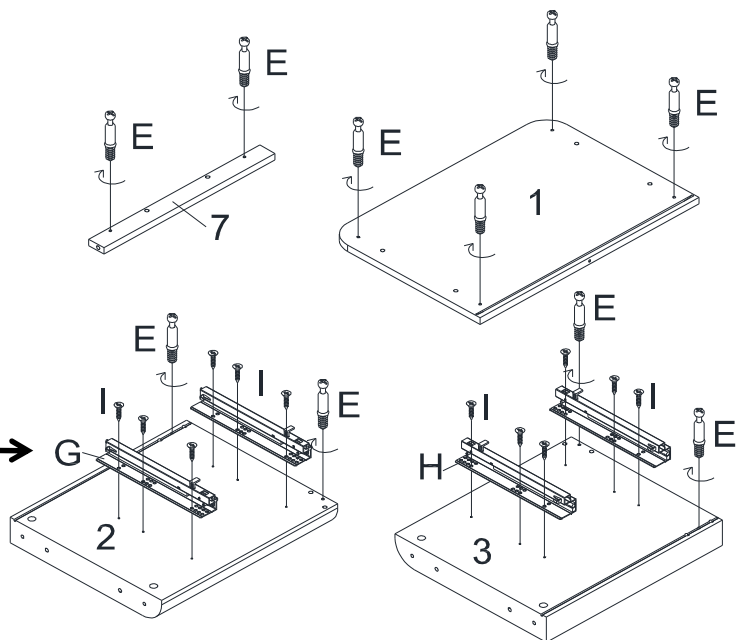
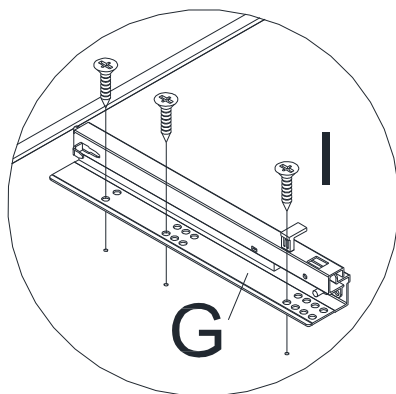
Ensure the arrow indicator is pointing towards the panel edge and ensure the assembly bolt locates properly into the camlock before turning



STEP SEVEN

1. Insert 10 x camblots (E) into panels 1, 2, 3 & 7 and tighten with a screwdriver.
2. Attach 2x sliders (G) on panel 2 with 6 x screw (I) and tighten with a screwdriver.
3. Attach 2x sliders (H) on panel 3 with 6 x screw (I) and tighten with a screwdriver.

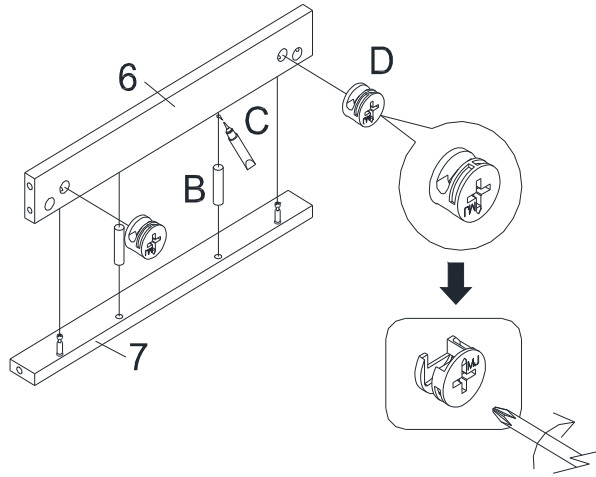
Note: the open of sliders need to face the curve edge.



STEP EIGHT

1. Glue (C) and insert 2 x wooden dowels (B) into panel 7.
2. Attach panel 6 to panel 7.
3. Insert 2 x camlocks (D) into panel 6 and tighten with a screwdriver.

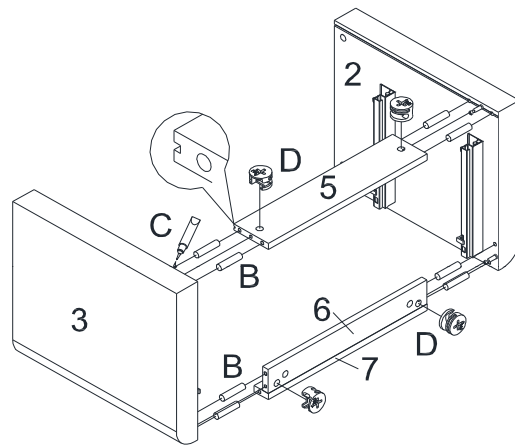
Ensure the arrow indicator is pointing towards the panel edge and ensure the assembly bolt locates properly into the camlock before turning.



STEP NINE

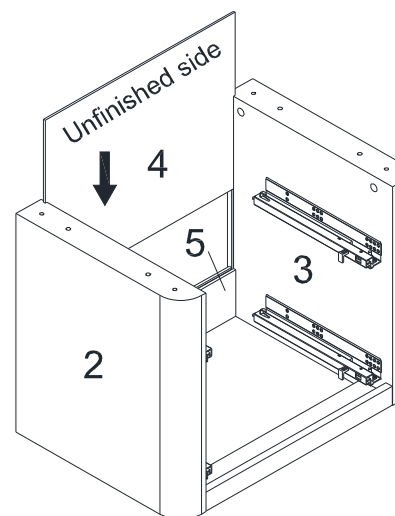
1. Glue (C) and insert 8 x wooden dowels (B) into panels 5 & 6.
2. Attach panels 2 & 3 to panels 5 & 6.
3. Insert 4 x camlocks (D) into panels 5 & 6 and tighten with a screwdriver.

Ensure the arrow indicator is pointing towards the panel edge and ensure the assembly bolt locates properly into the camlock before turning



STEP TEN

1. Carefully upright the assembled unit
2. Slide panel 4 into the assembled unit as shown in diagram.

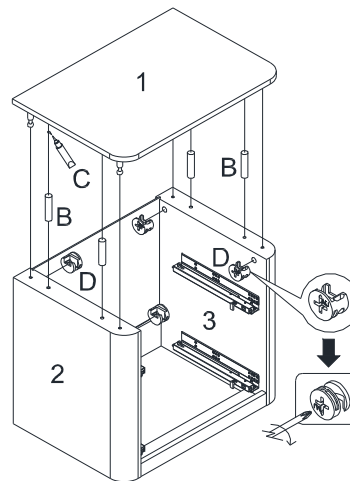


STEP ELEVEN

1. Glue (C) and insert 4 x wooden dowels (B) into panels 2 & 3 and attach panel 1 to panels 2, 3 & 4.

2. Insert 4 x camlocks (D) into panels 2 & 3 and tighten with a screwdriver.

Ensure the arrow indicator is pointing towards the panel edge and ensure the assembly bolt locates properly into the camlock before turning



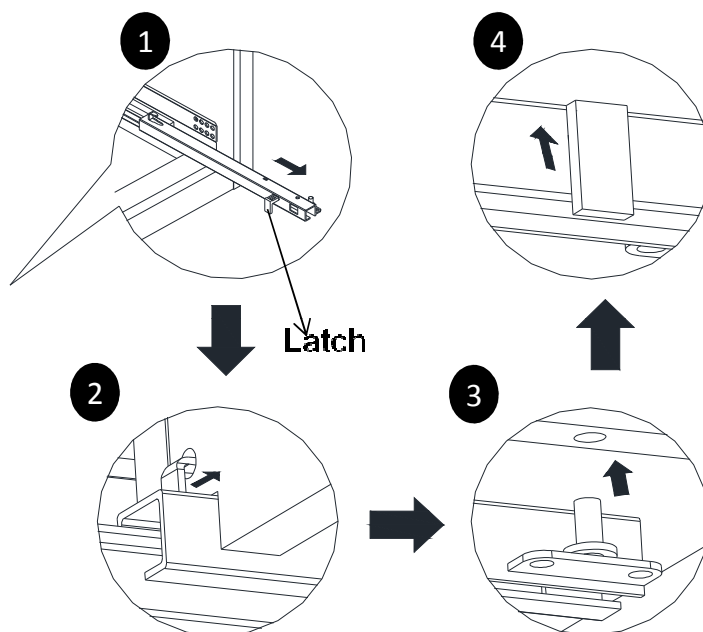
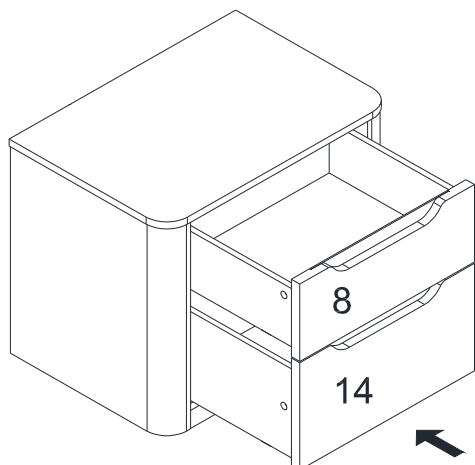
STEP TWELVE

1. Pull out the sliders (G) & (H).

2. Insert the drawer to the unit-The back of the drawer need to be stuck by the slider.

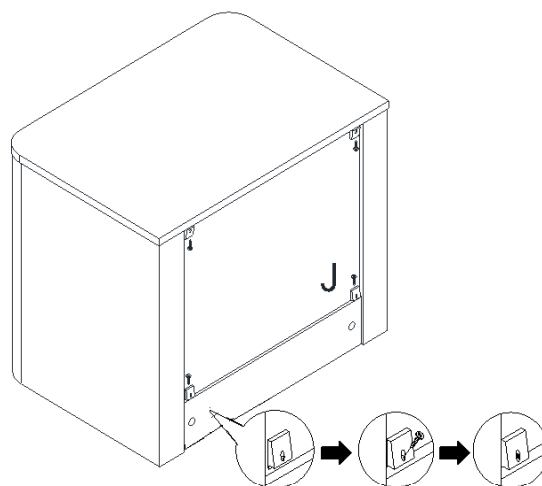
3. On the front of the drawer- there is a hole- it need to be fixed on the slider .

4. Push latch on the slider to fix the drawer



STEP THIRTEEN

1. Insert 4 x plastic fasteners (J) into the back panel groove and tighten with screws provided.



STEP FOURTEEN

1. Using screw and washer secure the 1 x nylon straps (K) to the back of top panel.

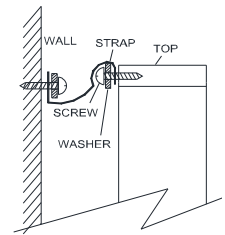
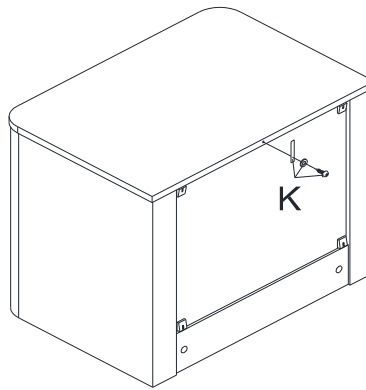
3. Secure the other end of the strap to the wall with an appropriate screw and wall plug for your wall type (not provided).

To hide the strap behind the unit ,drill the hole lower than the top of unit.

Warning:

Always ensure intended wall area to be drilled is free from hidden electrical wires,water and gas pipes.

NB:Wall fixings are not included-Please source suitable fixing for your wall type. If in doubt please consult a qualified trades person.



Next Retail Ltd, Desford Road, Leicester, LE19 4AT