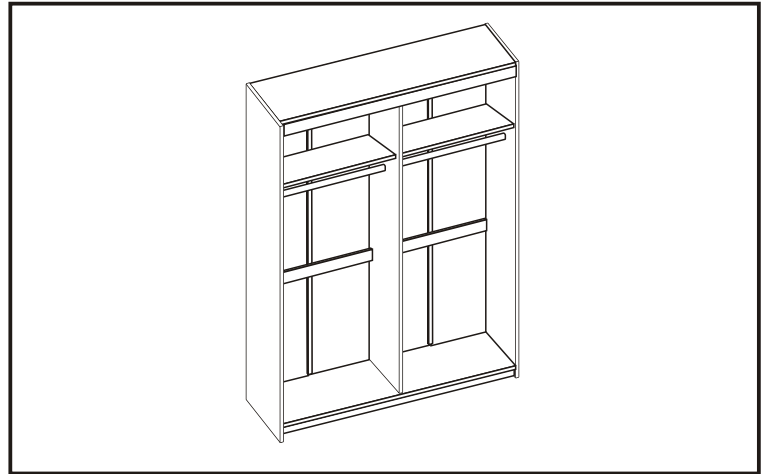
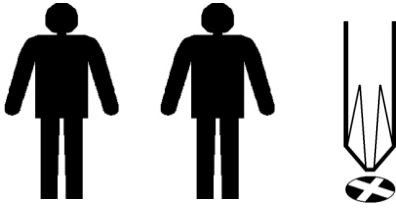


**ASSEMBLY INSTRUCTIONS.****IMPORTANT - RETAIN FOR FUTURE REFERENCE - READ CAREFULLY.****Tools Needed****Helpline**

If you have any problems with this product or require any replacement fittings please contact Customer Services Tel: 0333 777 8999

Regrettably self assembly items cannot be returned once assembly is part or fully completed unless the item is found to be faulty. Should you need to return the unassembled product, please repack in the original packaging.

**IMPORTANT**

- We suggest you spend a short time reading through this leaflet and then follow the simple step by step instructions.
- Carefully check that you have all parts before beginning assembly.
- Keep fittings out of children's reach and keep children well away from the construction area.
- We recommend that the packaging is used to protect the surfaces during assembly.
- A minimum of 2 persons is required to assemble this product.
- We recommend the use of the wall attachment bracket for safety reasons.

**PRODUCT INFORMATION**

- Made in Poland.

**CARE INSTRUCTIONS**

- For general cleaning, periodically dust with a soft cloth.
- Do not rub or scrub the surface when cleaning.
- Always use a non-silicone based furniture polish. Silicone in furniture polishes can break down the lacquer finish.
- Any spills should be removed immediately with a soft clean damp cloth and dried immediately.
- Avoid keeping furniture in direct sunlight or close to any heat sources as this can cause cracking, discolouration or warping.
- Never drag pieces of furniture across the floor as this will cause damage to the joints.
- All assembly fixings should always be tightened properly and periodically check all fixings and tighten if necessary.
- The finish will mellow and change colour over time.

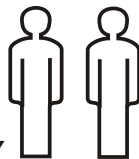
# Assembly Instruction

## DESCRIPTION: 661168 SLIDE SMALL WHITE CARCASS

**1.5 hrs**

APPROXIMATE ASSEMBLY TIME

2 PERSON ASSEMBLY

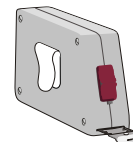
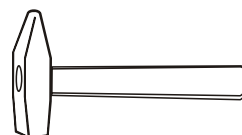


FLOOR AREA  
3.0 M x 3,0 M

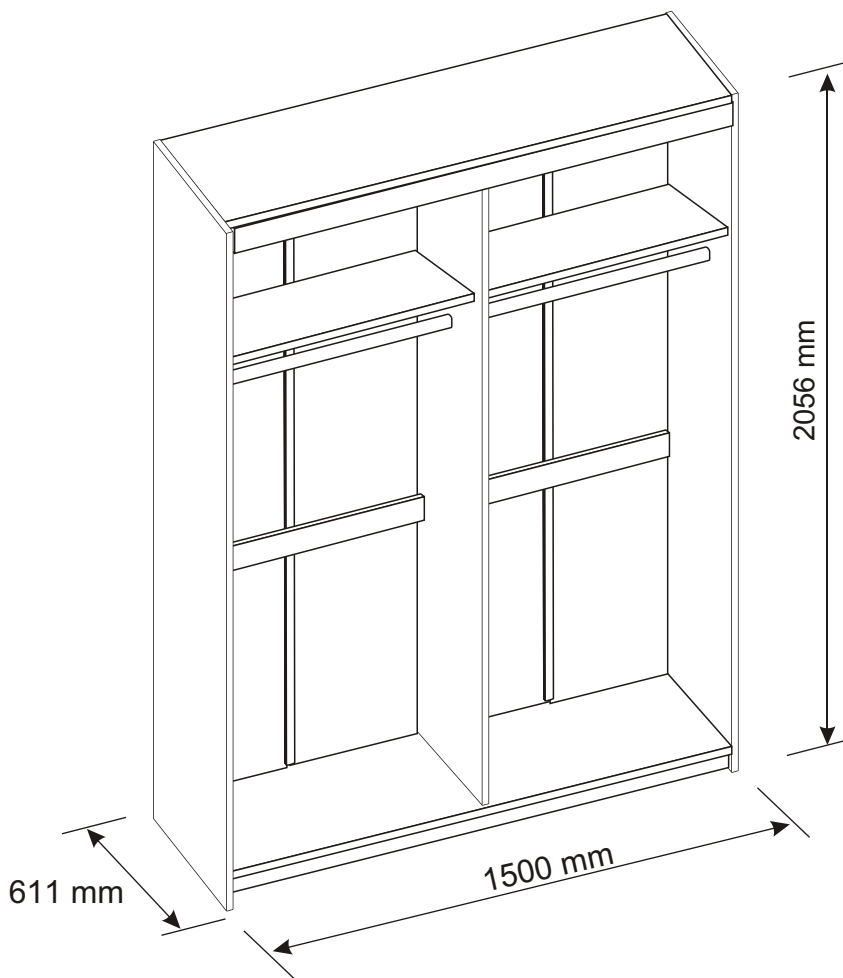


REQUIRED ASSEMBLY SPACE

REQUIRED ASSEMBLY TOOLS



ASSEMBLED DIMENSIONS



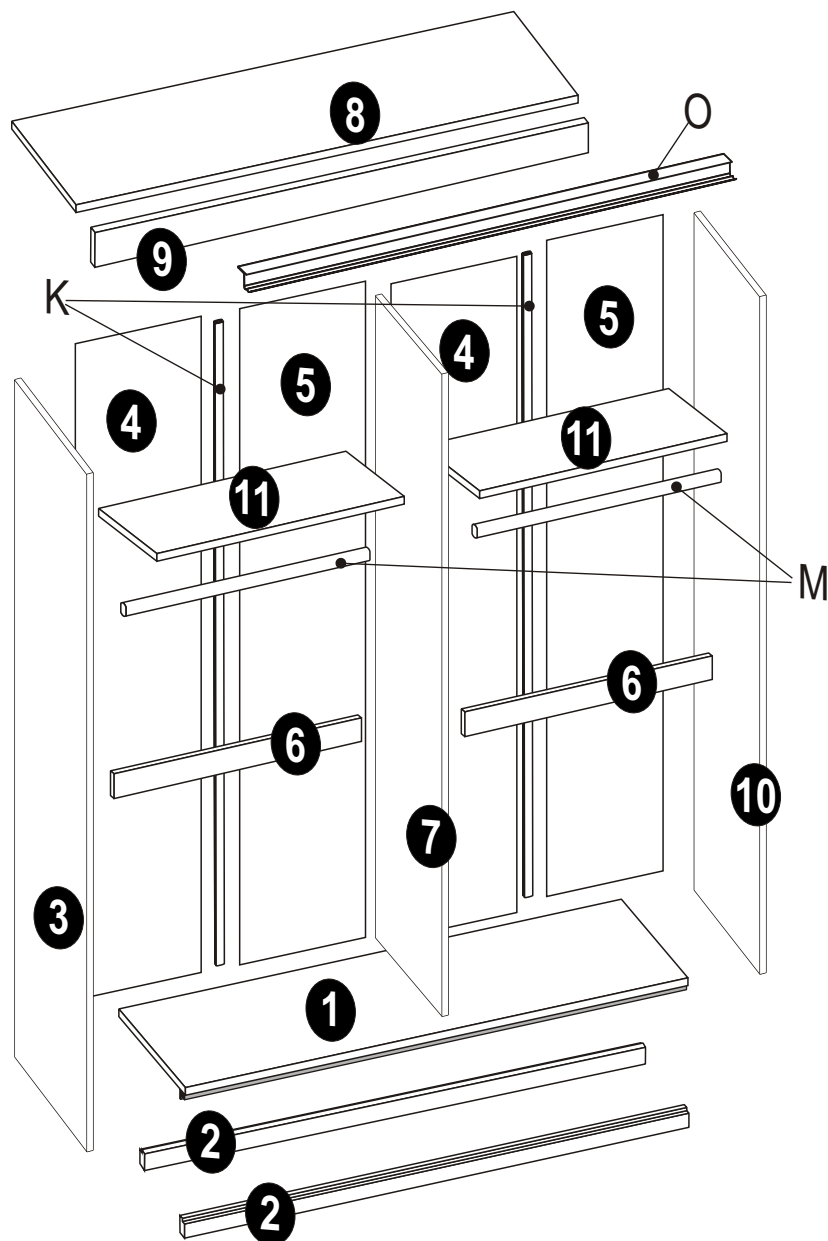
# Assembly Instruction

## DESCRIPTION:

661168 SLIDE SMALL WHITE CARCASS

### PARTS LIST

NO. PART LIST	QTY
(1) BOTTOM PANEL	1
(2) PLINTH	2
(3) LEFT SIDE PANEL	1
(4) LEFT BACK PANEL	2
(5) RIGHT BACK PANEL	2
(6) HORIZONTAL FRAME	2
(7) VERTICAL DIVIDER	1
(8) TOP PANEL	1
(9) HORIZONTAL SLAT	1
(10) RIGHT SIDE PANEL	1
(11) HORIZONTAL DIVIDER	2



**PACK 1 CONSISTS OF PARTS :**  
**1, 2, 6, 8, 9, 11, M, O,**  
**Al, Fittings .**

**PACK 2 CONSISTS OF PARTS :**  
**3, 4, 5, 7, 10, K.**

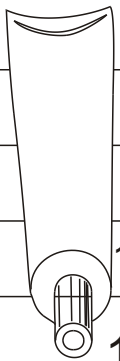
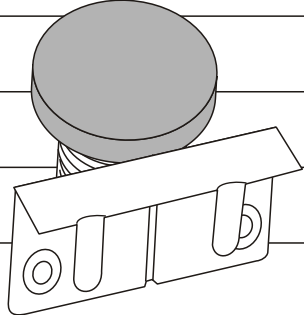
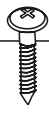


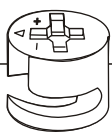
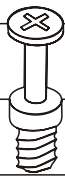



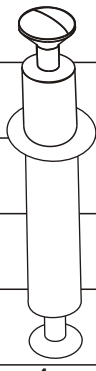
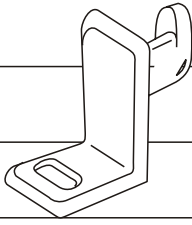
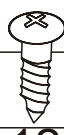
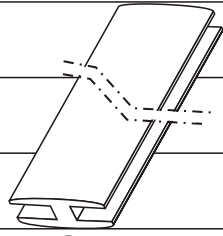


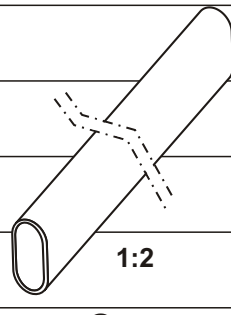
# Assembly Instruction

## DESCRIPTION:

661168 SLIDE SMALL WHITE CARCASS

### HARDWARE LIST

**DO NOT MIX CONTENT OF HARDWARE BOXES**

					
1:2 1x	3x	6x 3,5x13mm	14x Ø5x39mm	16x 8x28mm	16x Ø15x12mm
<b>A</b> GLUE BAG 8	<b>B</b> FEET BAG 8	<b>B1</b> SCREW BAG 8	<b>C</b> CAM BOLT BAG 1	<b>D</b> DOWEL BAG 1	<b>E</b> CAM LOCK BAG 1
					
8x	4x	4x 3,0x13mm	1x 8x45mm	1x L=24/40mm	
<b>F</b> SHORT BOLT BAG 1	<b>G</b> CLOTHES BAR SUPPORT BAG 2	<b>G1</b> SCREW BAG 2	<b>H</b> DOWEL BAG 1	<b>I</b> DOUBLE CAM BOLT BAG 1	
					
12x	12x 4,2x13mm	2x L=1974mm	3x 7x50mm	2x	1:2 2x L=720mm
<b>J</b> BACK PANEL SUPPORT BAG 1	<b>J1</b> SCREW BAG 1	<b>K</b> BACK PANEL CONNECTOR	<b>L</b> CONFIRMAT SCREW BAG 1	<b>L1</b> CONFIRMAT COVER BAG 1	<b>M</b> CLOTHES BAR



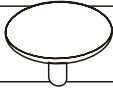
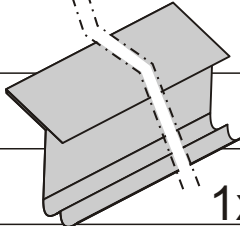
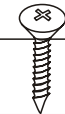
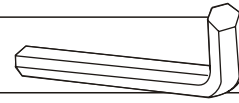
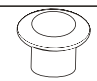
# Assembly Instruction

## DESCRIPTION:

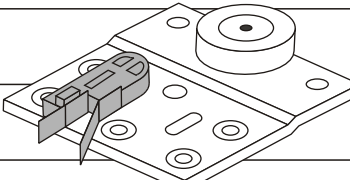

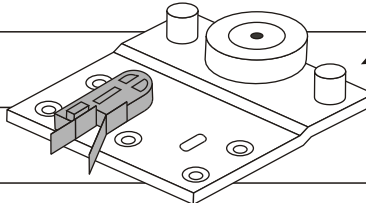

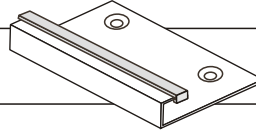
## 661168 SLIDE SMALL WHITE CARCASS

### HARDWARE LIST

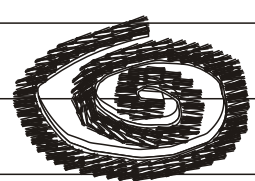
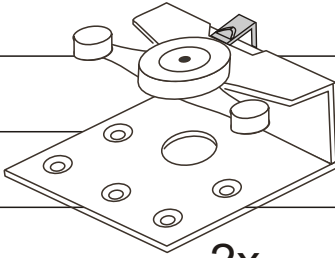
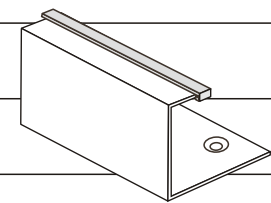
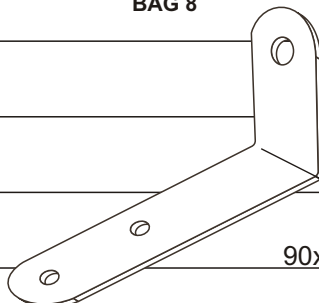
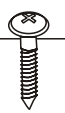
DO NOT MIX CONTENT OF HARDWARE BOXES

				
16x	1x	6x	1x	3x
Ø15mm	L=1469mm	3,5x13mm	Ø10mm	Ø10mm
<b>N</b>	<b>O</b>	<b>O1</b>	<b>P</b>	<b>P1</b>
CAM COVER BAG 1	UPPER RUNNER	SCREW BAG 8	ALLAN WRENCH BAG 8	COVER BAG 8

WHEN CARCASS IS ASSEMBLED PLEASE REFER TO FURTHER INSTRUCTIONS INCLUDED WITH THE DOORS

				
1x	28x	1x	1x	2x
	6,3x11mm			
<b>Q</b>	<b>R</b>	<b>Q1</b>	<b>S</b>	<b>Q2</b>
INTERNAL DOOR ROLL BAG 4	SCREW BAG 3 BAG 4 BAG 5 BAG 6 BAG 7	INTERNAL DOOR ROLL WITH BRAKE BAG 3	PLASTIC SLEEVE FOR BRAKE BAG 3	LOWER FITTING INTERNAL DOOR BAG 7



		
3x	2x	2x
L=2030mm		
<b>T</b>	<b>U</b>	<b>U1</b>
ANTI-DUST STRIP BAG 8	EXTERNAL DOOR ROLL BAG 5	LOWER FITTING EXTERNAL DOOR BAG 6
		
1:2	4x	
2x	3,5x13mm	
90x40x15mm		
<b>V</b>	<b>V1</b>	
WALL BRACKET BAG 9	SCREW BAG 9	

### Top Tips before you start!

1. Please check that all parts are present before you start the assembly of your furniture, as once assembled, the furniture is exempt from our home approval policy.
2. For ease and speed of assembly, we recommend that before you commence each step of the assembly, that you identify all the parts required for that step.
3. For larger items, please ensure that you have sufficient space and people ( as indicated on page 1) to assemble your product safely.
4. We recommend that, where possible, all items are assembled near to the area in which they will be placed in use, to avoid moving the product unnecessarily once assembled.
5. For the protection of your furniture, particularly items of high gloss finish, we recommend that the product is placed on a protected surface during assembly to prevent any damage.
6. During assembly please take care not to over-tighten any fittings, as this may damage the product .

### Care and Maintenance of your Furniture

Please periodically check all fittings and re-tighten as necessary.

Please do not jump on your furniture.

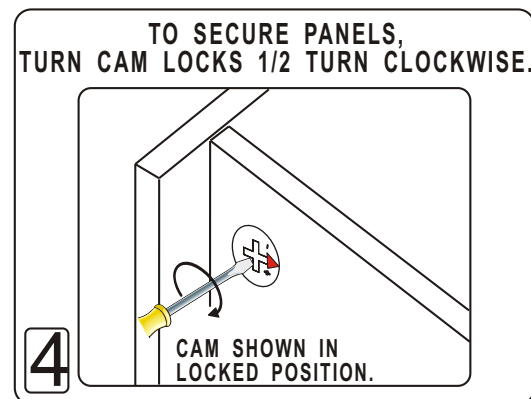
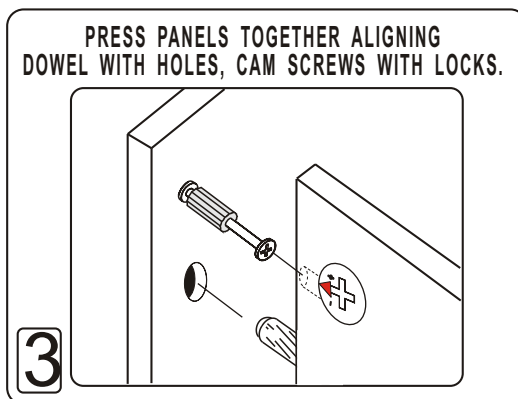
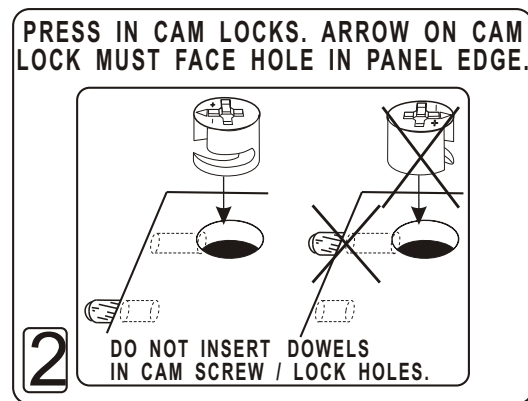
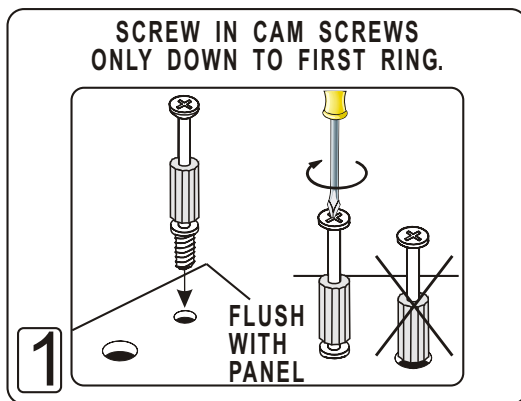
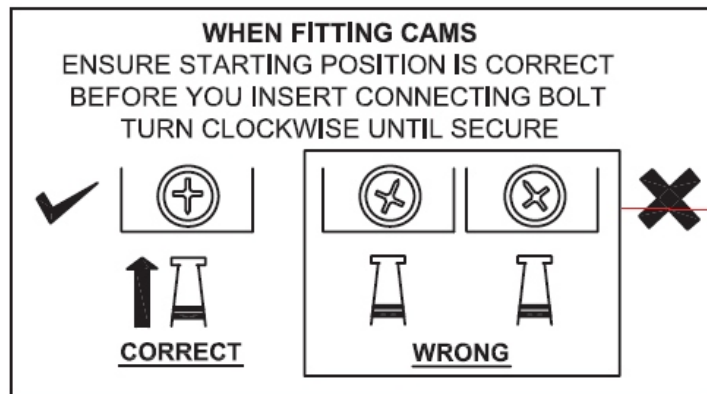
To clean your item, please use a damp cloth and wipe clean.

Never allow any kind of liquid to remain on your furniture. Absorption can cause wood to warp or finishes to de-laminate.

# Assembly Instruction

## DESCRIPTION:

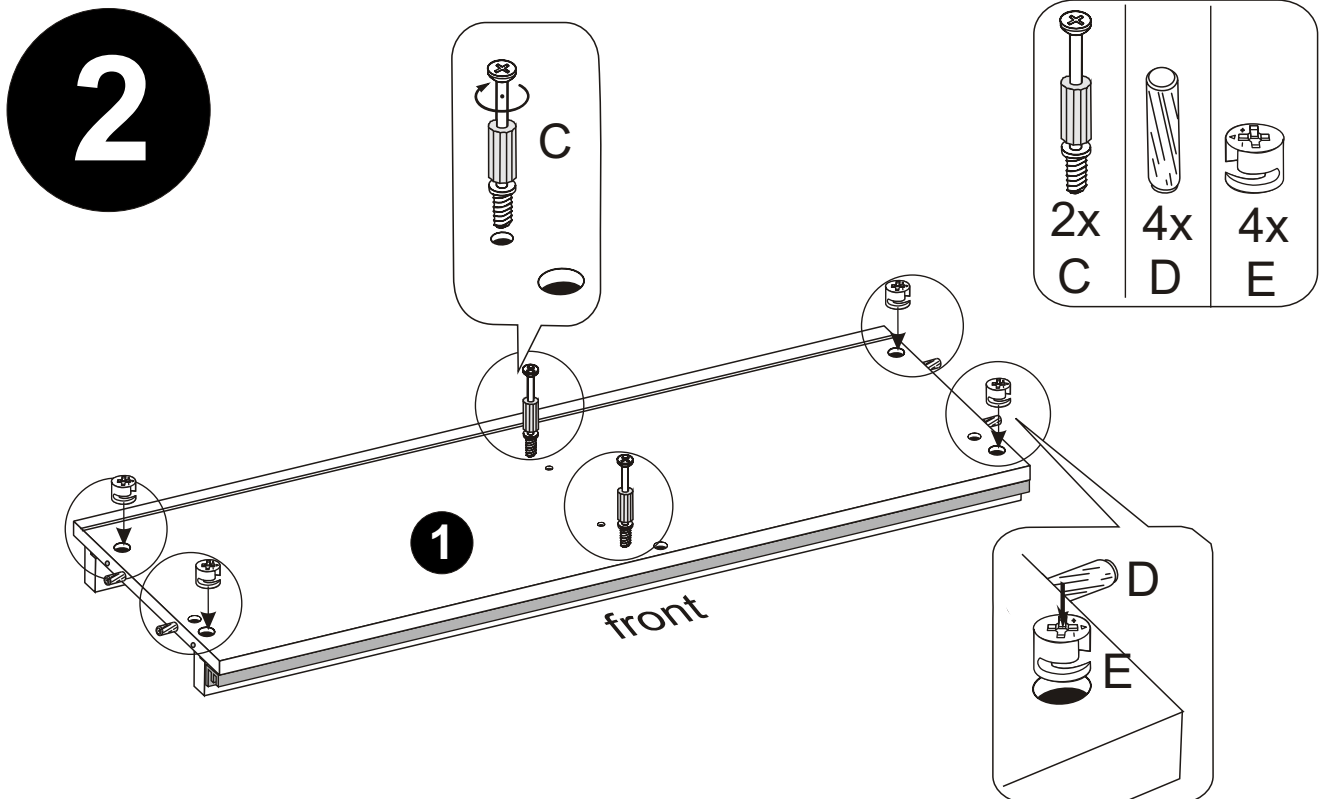
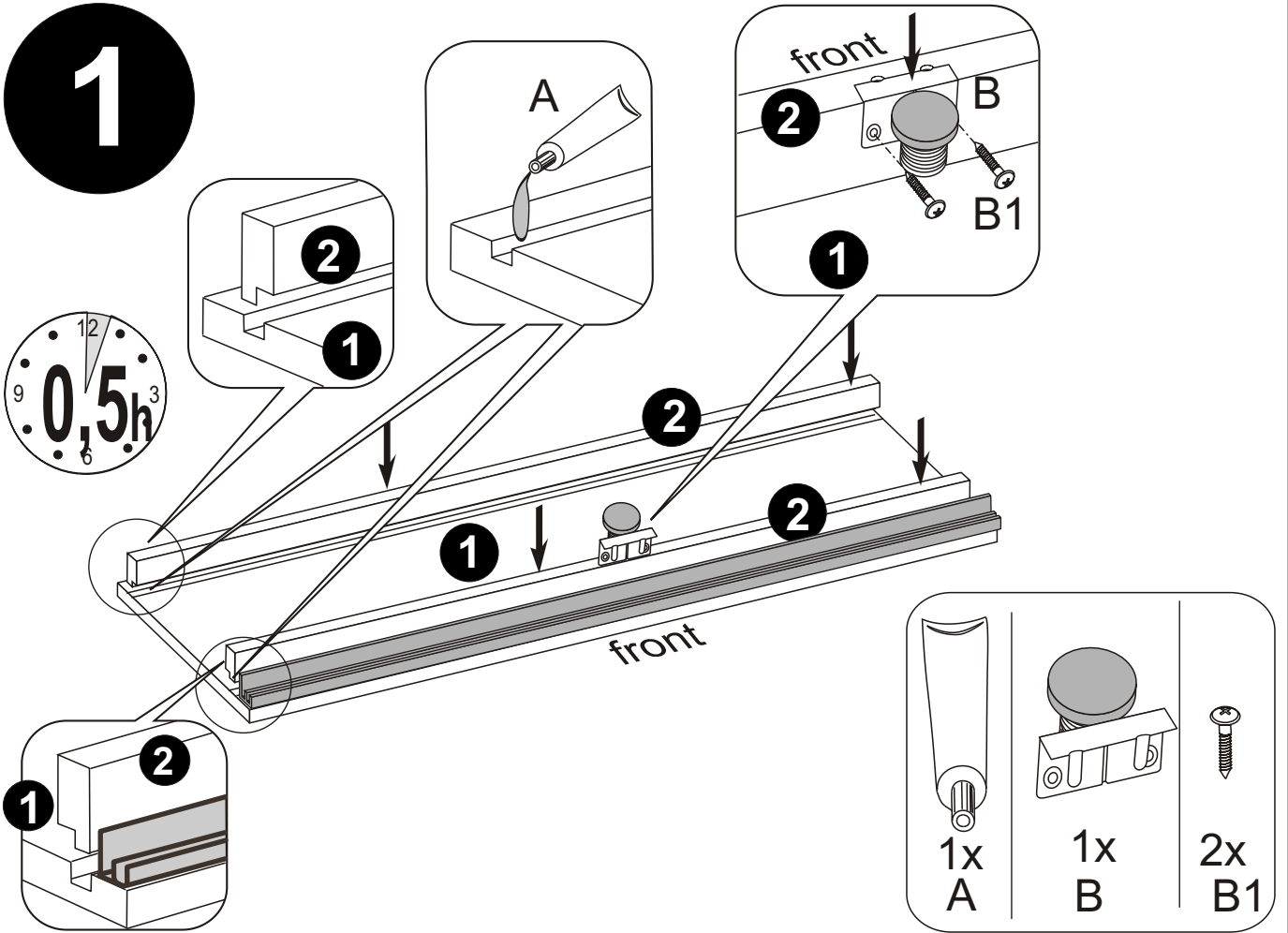
## 661168 SLIDE SMALL WHITE CARCASS



# Assembly Instruction

## DESCRIPTION:

### 661168 SLIDE SMALL WHITE CARCASS



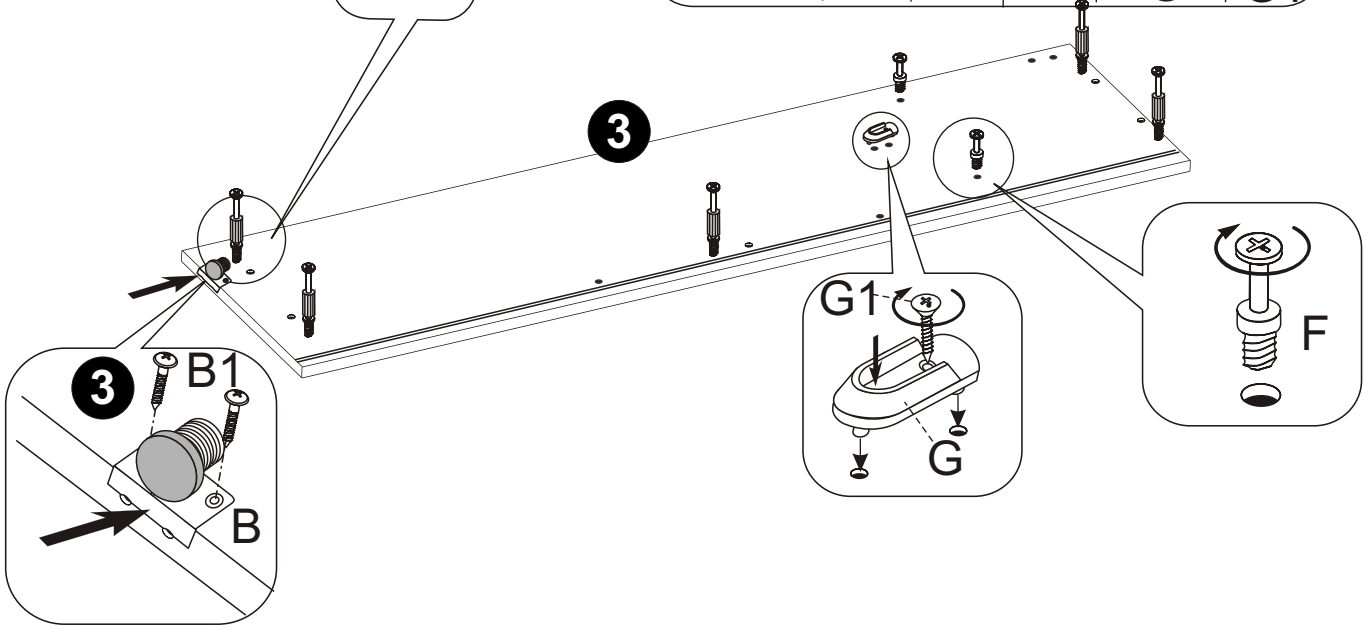
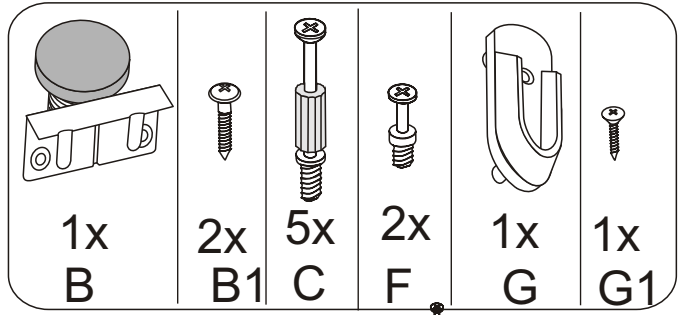
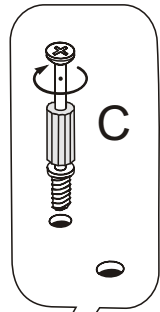


# Assembly Instruction

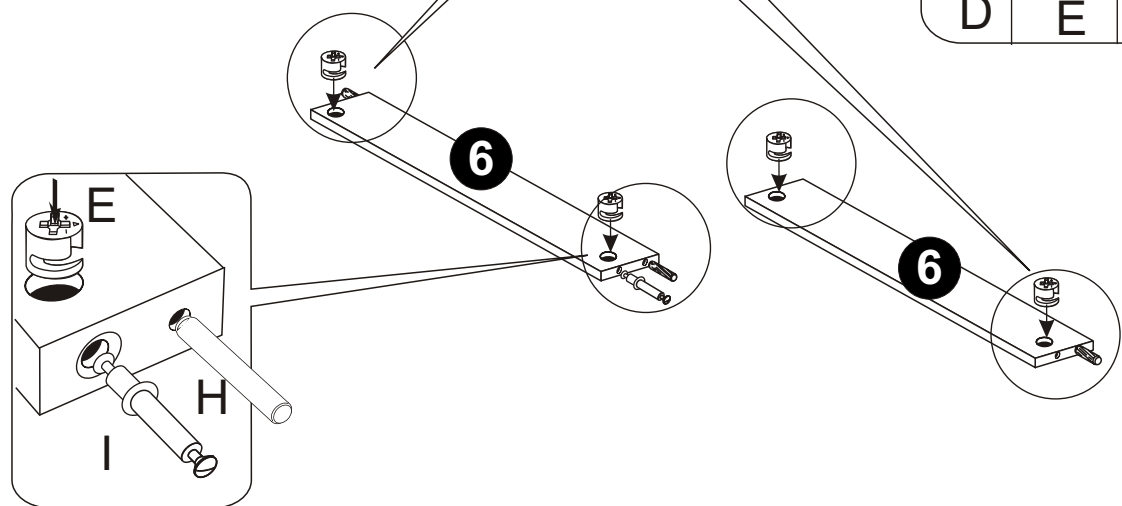
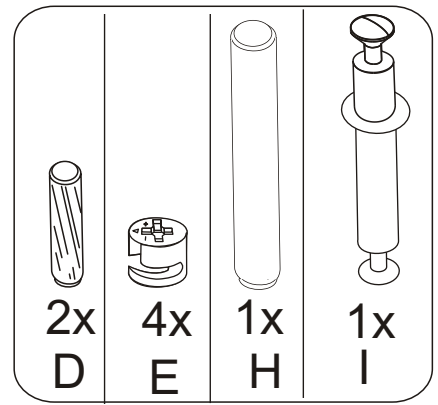
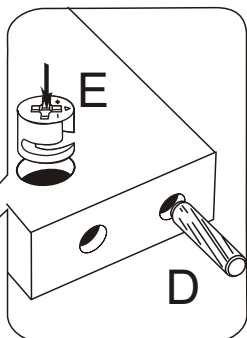
## DESCRIPTION:

661168 SLIDE SMALL WHITE CARCASS

**3**



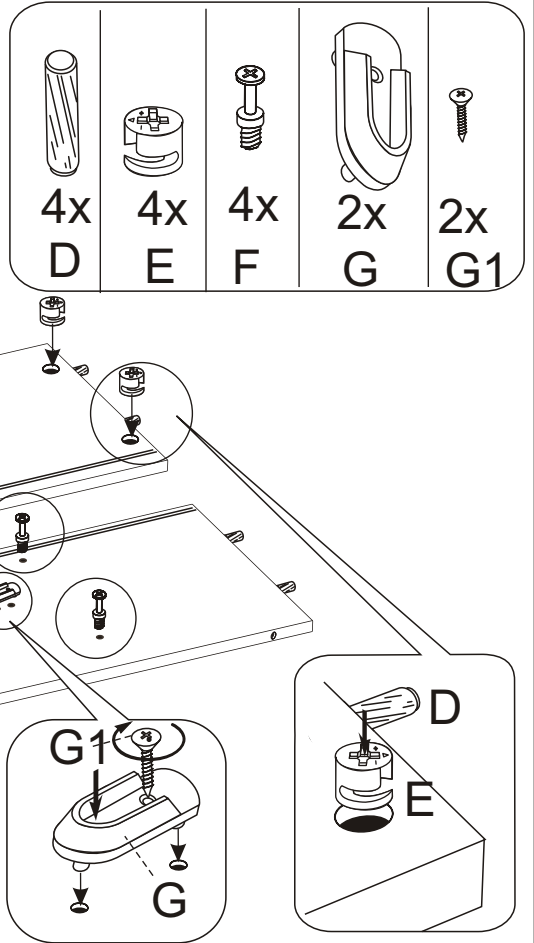
**4**



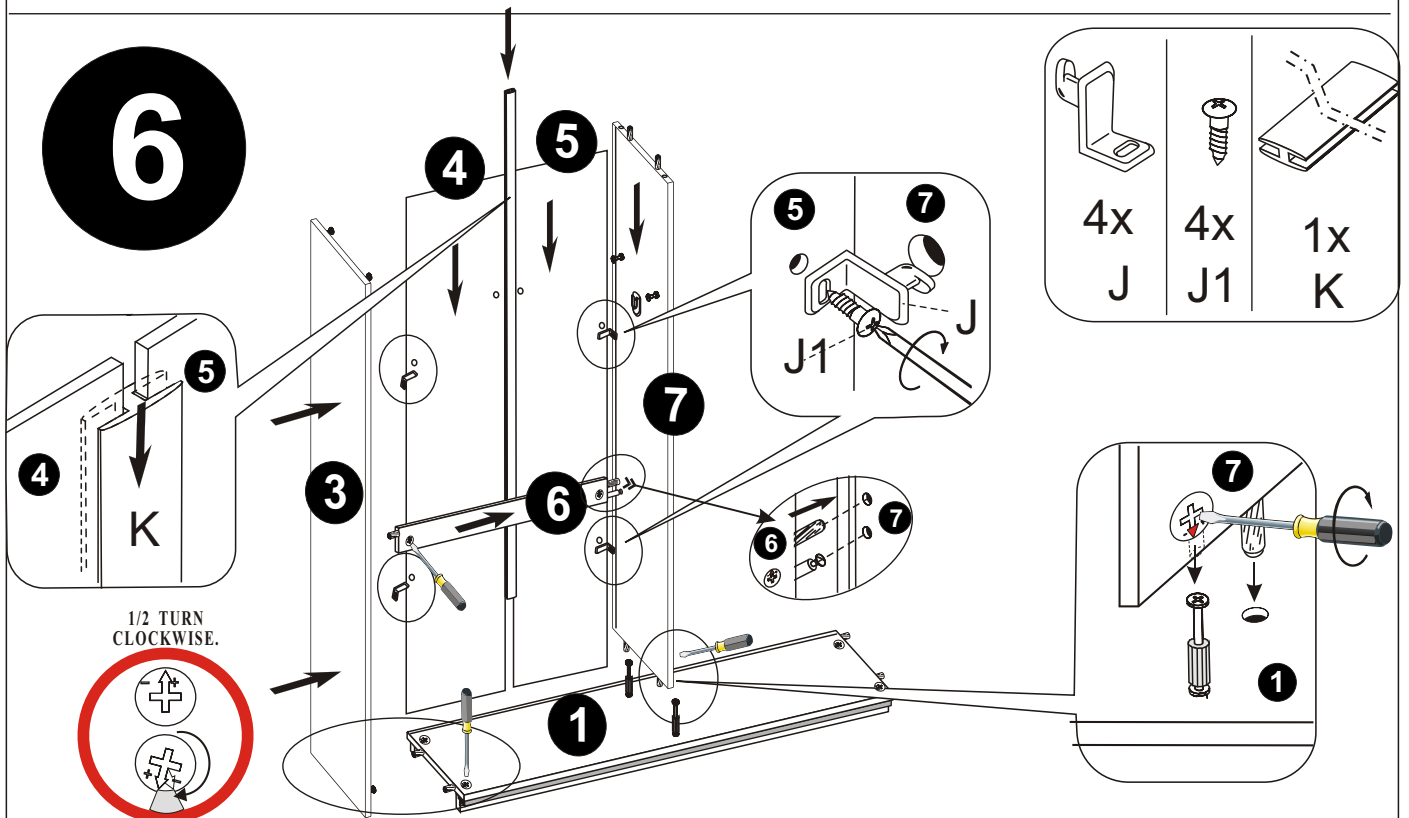
# Assembly Instruction

## DESCRIPTION: 661168 SLIDE SMALL WHITE CARCASS

### 5



### 6

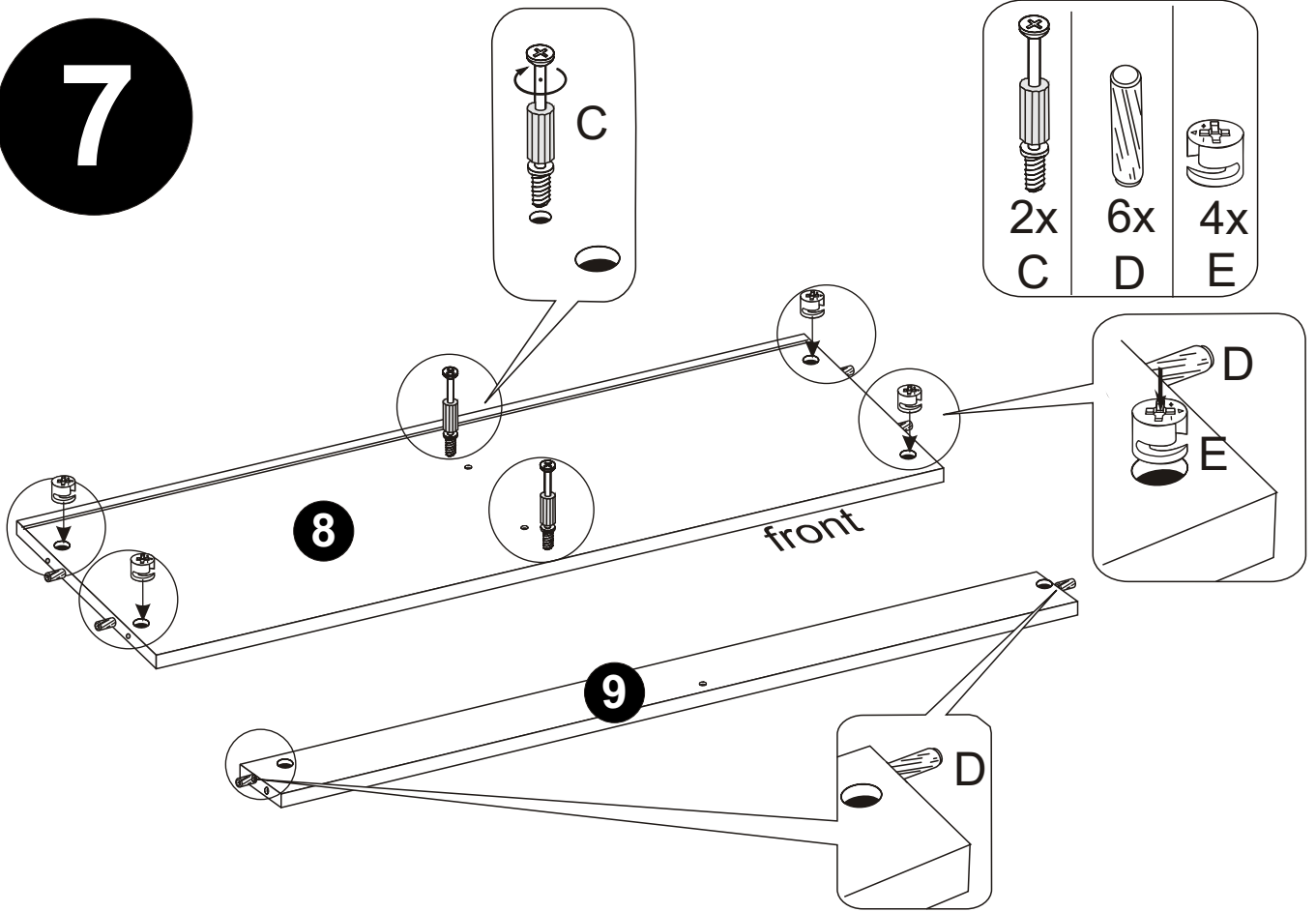


# Assembly Instruction

## DESCRIPTION:

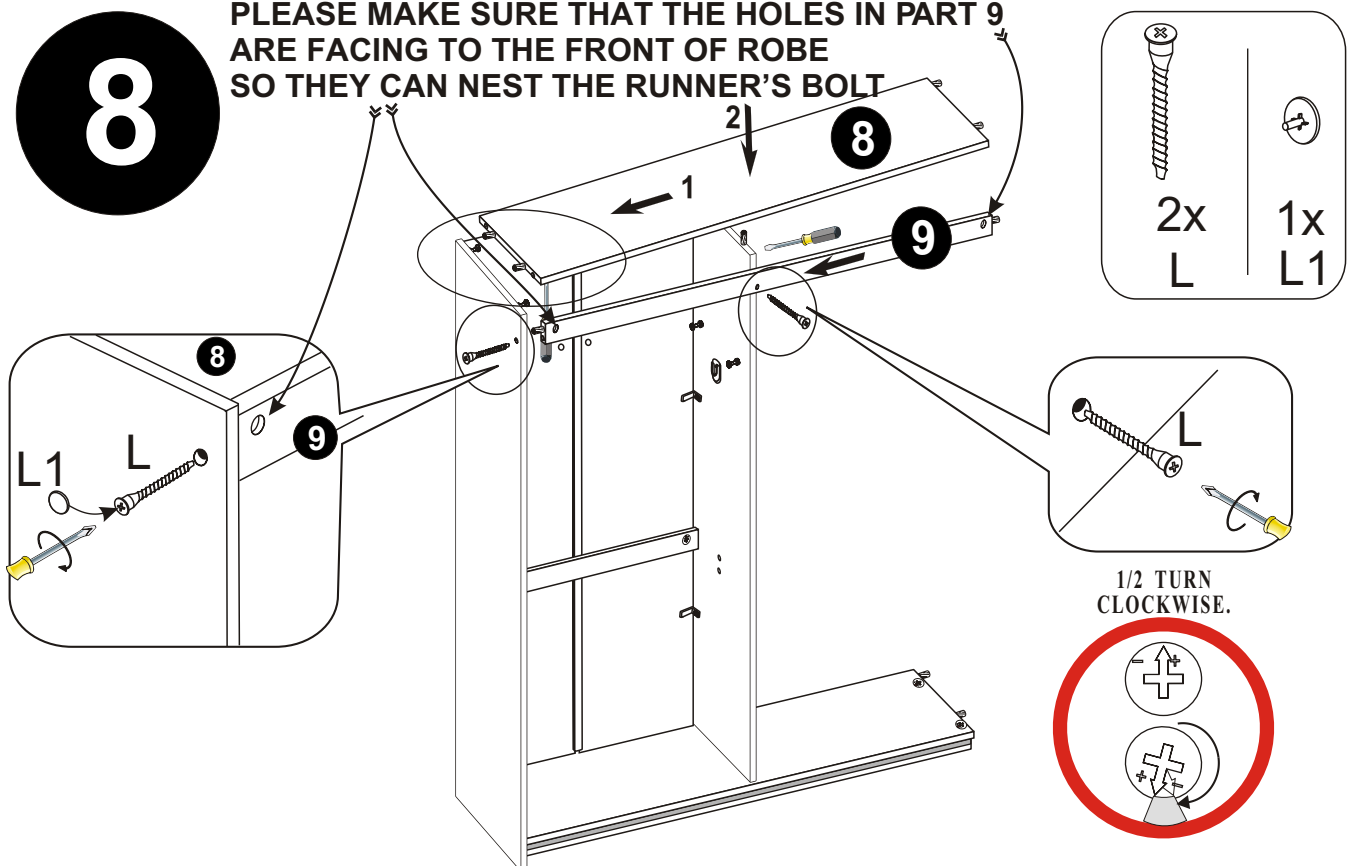
661168 SLIDE SMALL WHITE CARCASS

**7**



**8**

PLEASE MAKE SURE THAT THE HOLES IN PART 9 ARE FACING TO THE FRONT OF ROBE SO THEY CAN NEST THE RUNNER'S BOLT

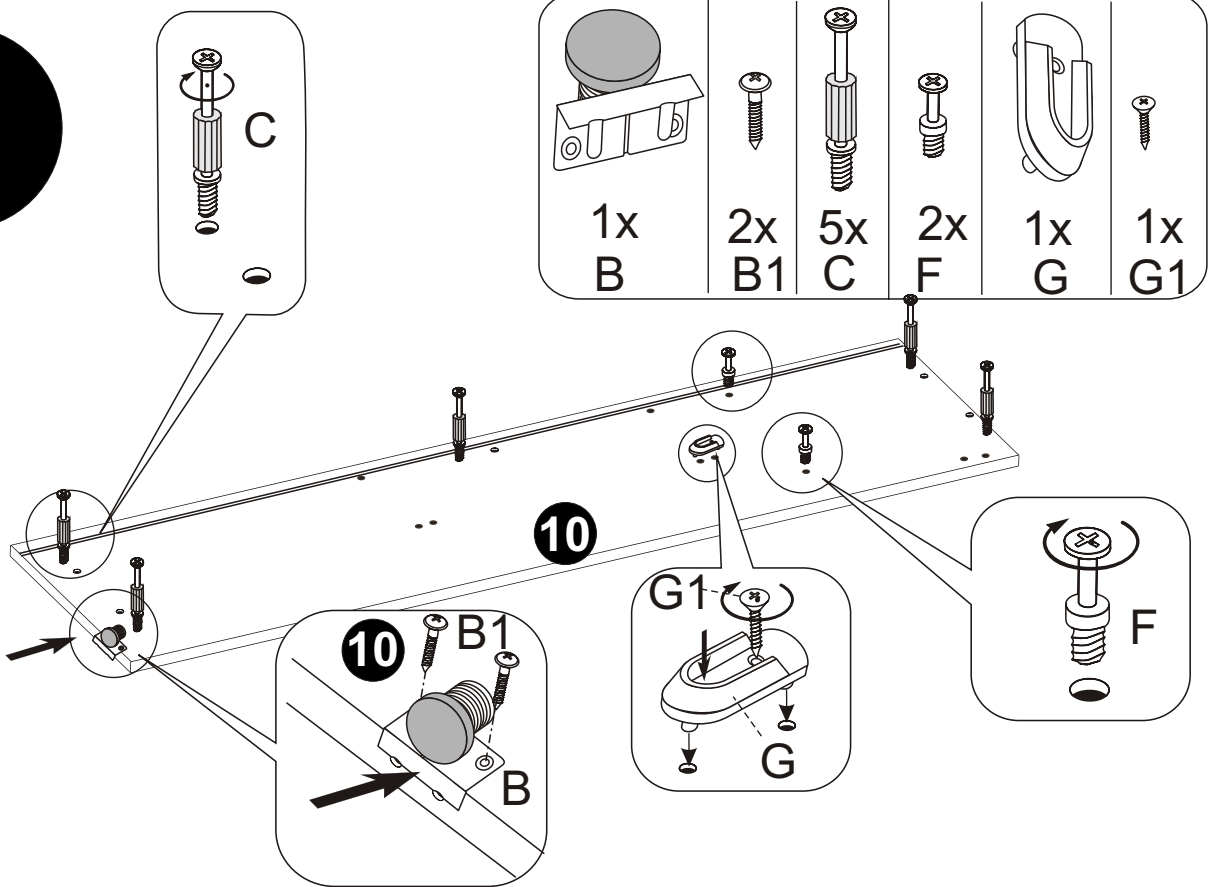


# Assembly Instruction

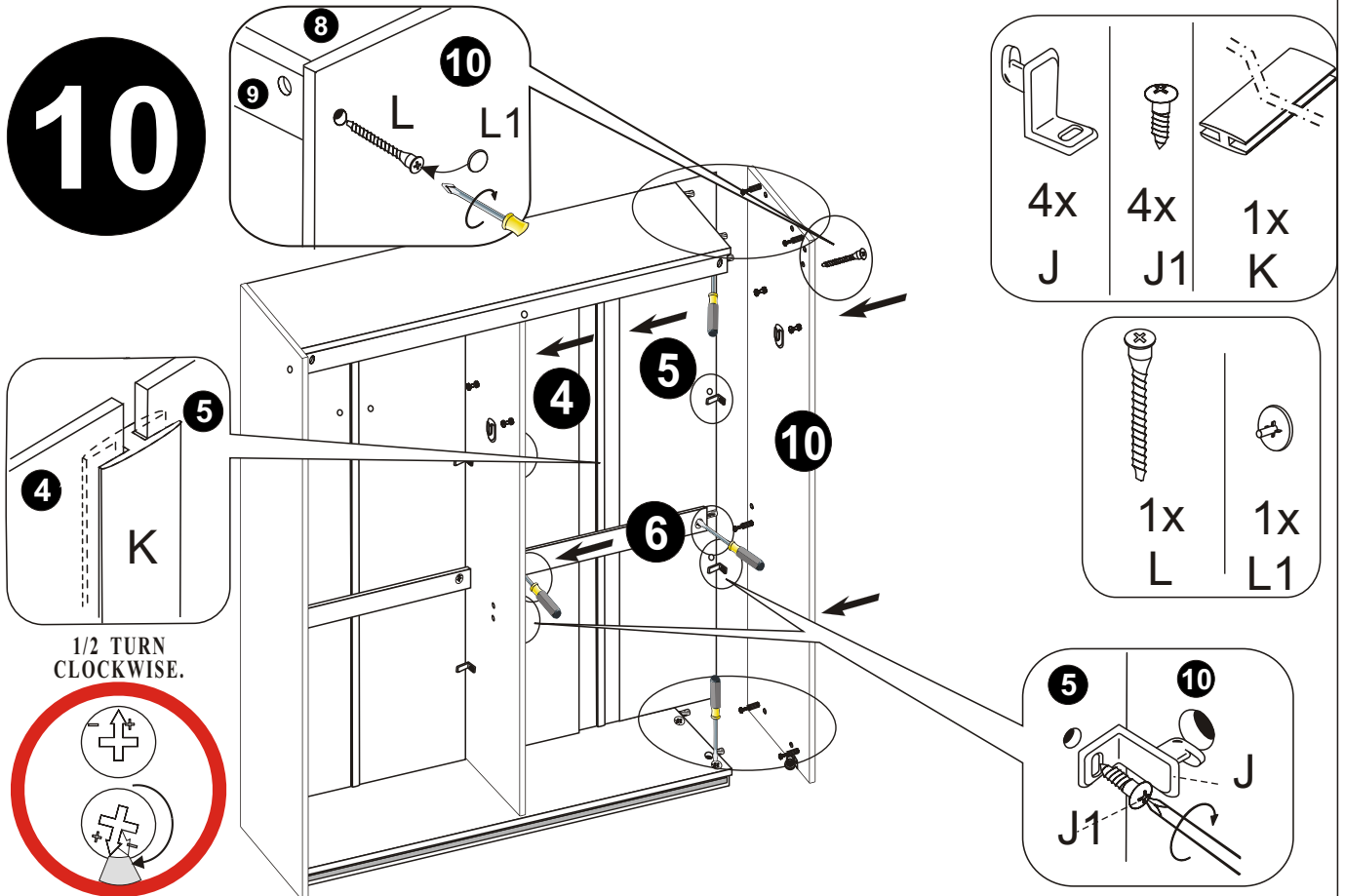
## DESCRIPTION:

## 661168 SLIDE SMALL WHITE CARCASS

9



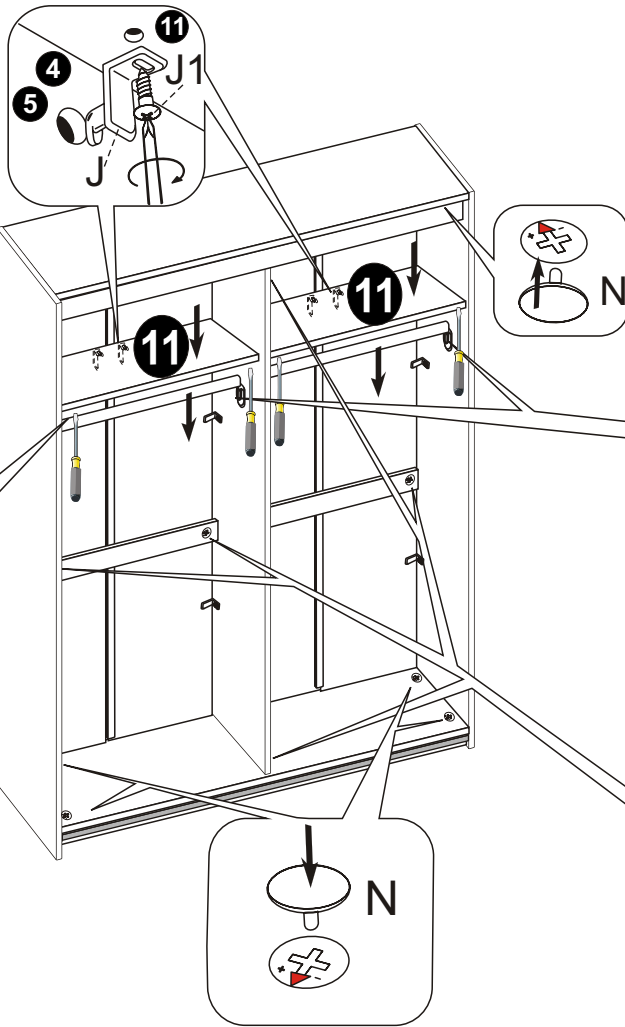
10



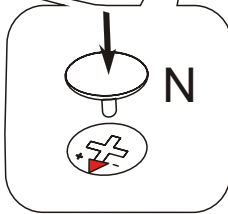
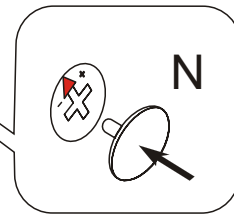
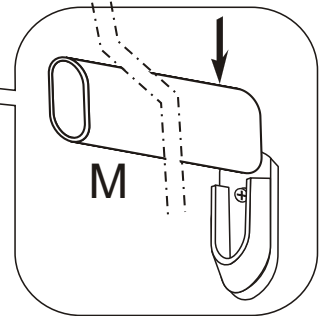
# Assembly Instruction

## DESCRIPTION: 661168 SLIDE SMALL WHITE CARCASS

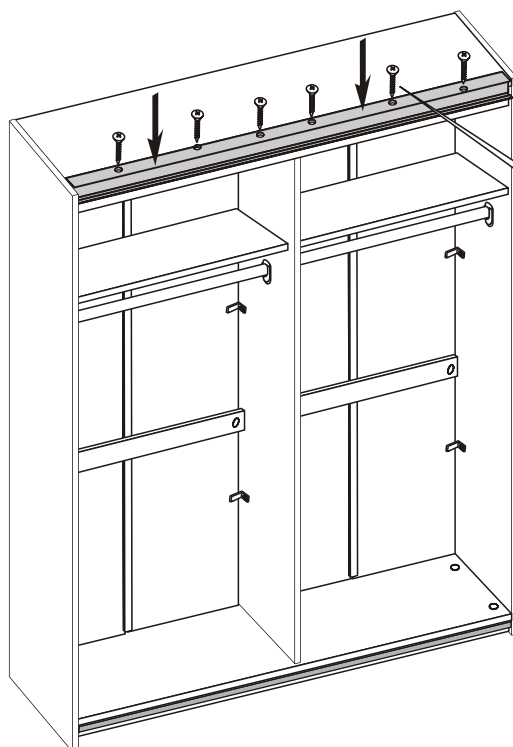
**11**



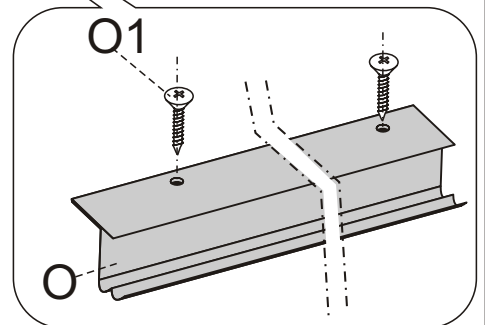
16x N	4x J	4x J1	2x M



**12**



1x L=1469mm O	6x O1

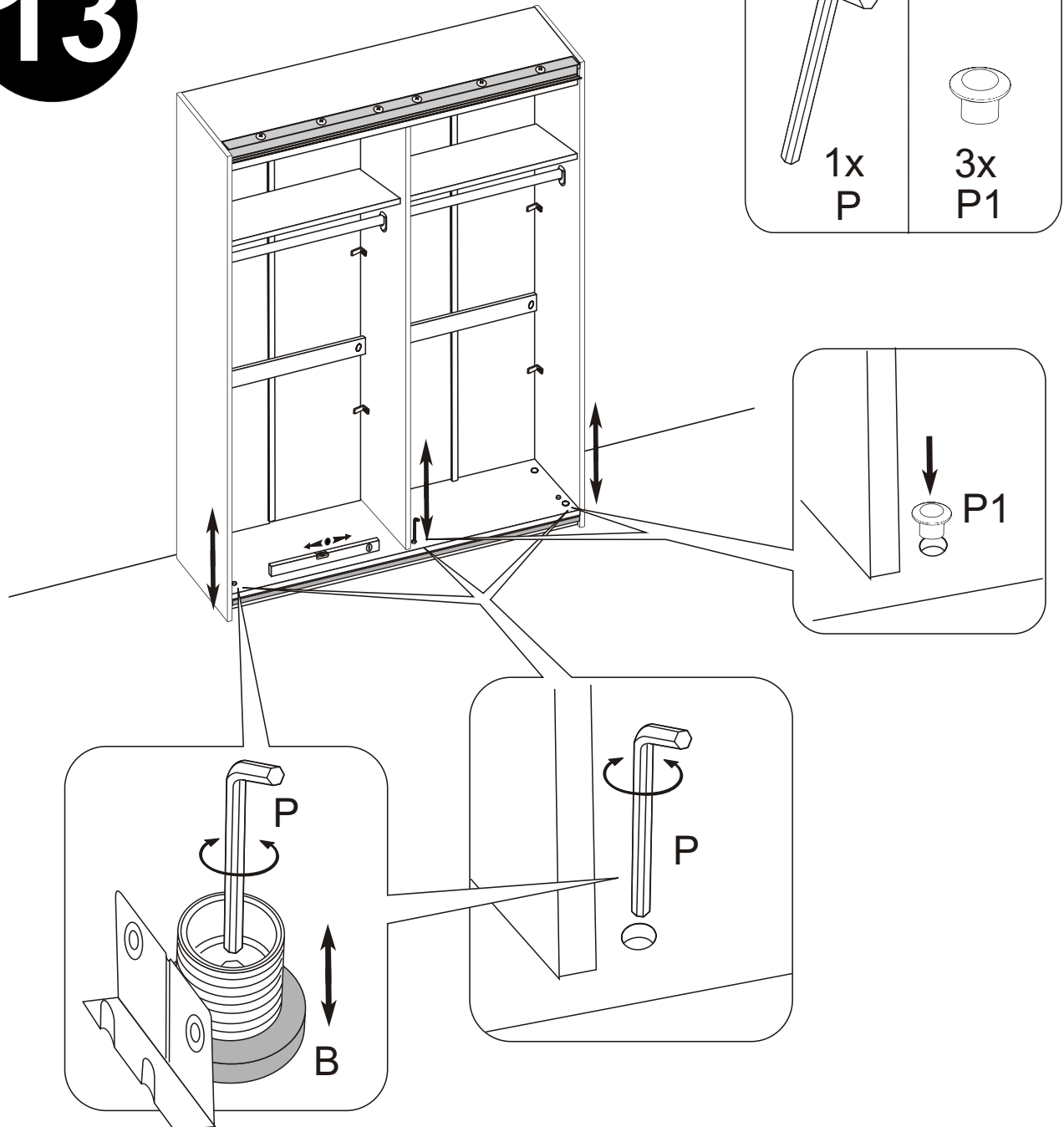


# Assembly Instruction

## DESCRIPTION:

661168 SLIDE SMALL WHITE CARCASS

13



**WHEN CARCASS IS ASSEMBLED PLEASE REFER TO FURTHER  
INSTRUCTIONS INCLUDED WITH THE DOORS**