

next

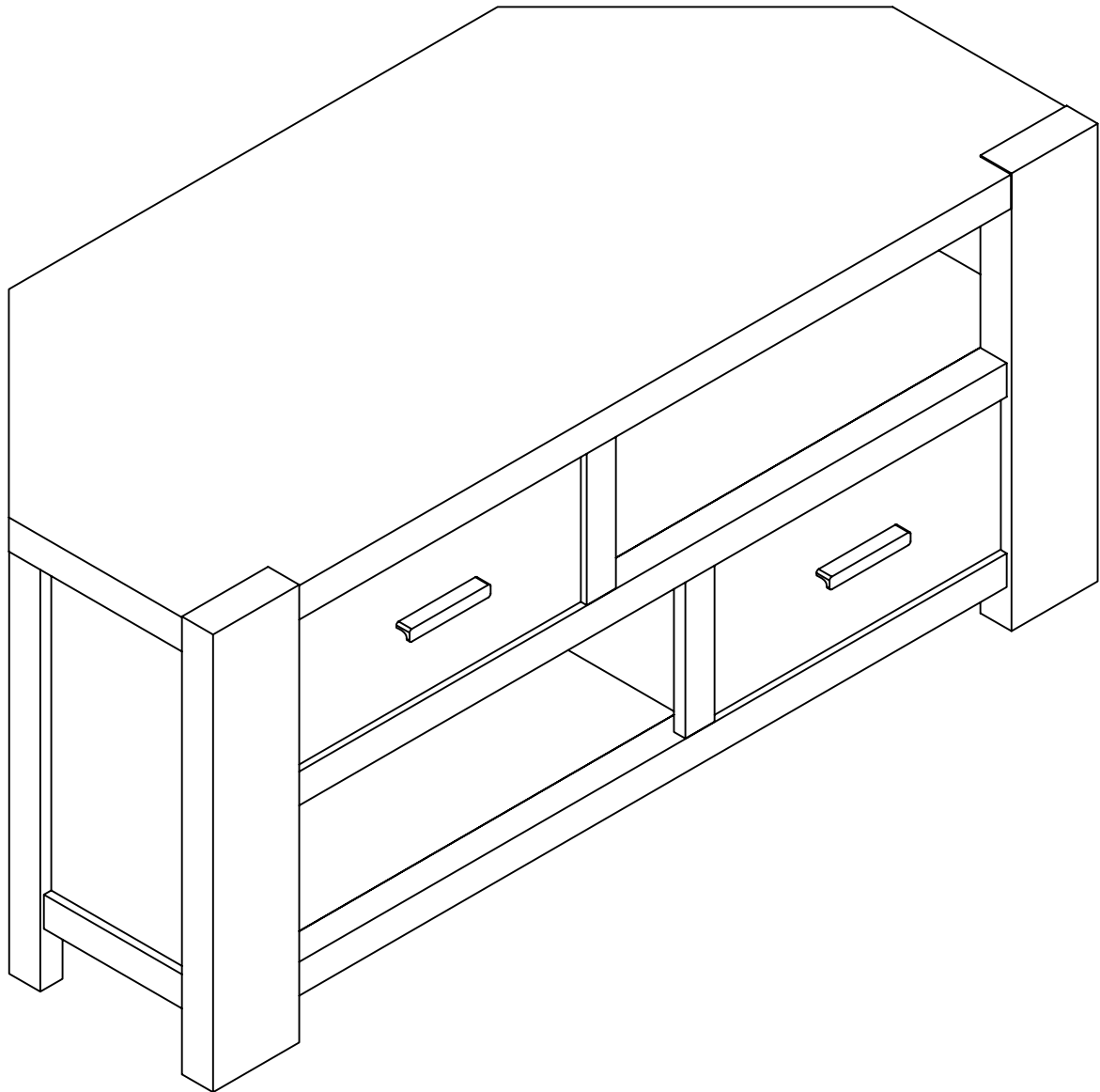
CORSICA CORNER TV UNIT

664566

Assembly instructions

Actual product size

H54 x W121 x D55cm



Need Help ?

With: Assembly instruction
Missing or damaged parts

IMPORTANT - RETAIN FOR FUTURE REFERENCE

CALL: 0333 777 8999

BEFORE YOU START

Warnings

We suggest you retain these instructions for future reference.

Gloss finishes are prone to light surface scratches and it is therefore very important that you care for this item correctly.

Keep fittings out of children's reach and keep children well away from construction area.

This product should only be used on firm level ground.

Please periodically check all fittings and re-tighten as necessary.

Please do not sit or stand on your furniture.

Avoid exposing the furniture to excessive heat or direct sunlight as this can cause deterioration of the colour.

Unwrap all packaging materials and place the components on top of the carton box or on a clean floor to protect it from damage

Do's

We suggest you spend a short time reading through this leaflet before you start.

When you are ready to start, make sure that you have the right tools and plenty of space.

Unwrap all packaging materials and place the components on a clean surface to protect it from damage, We recommend that the packaging is used to protect the surfaces during assembly.

Carefully check that you have all the parts before beginning assembly.

Due to the size of this product we recommend that it is assembled in the room intended for use.

Ensure the product is fully assembled as illustrated and all fixings fully tightened before use.

Wipe occasionally with a soft cloth slightly dampened with water. Then buff with a dry clean soft cloth.

For general cleaning, periodically dust with a soft clean lint-free cloth or a soft micro fibre cloth (ie, e-cloth brand or similar). Please note some cloths (including yellow dusters) contain abrasive fibres which can lightly scratch the surface, if in doubt please try your cloth in an inconspicuous area of the furniture first to assess its suitability. A sample of a suitable cloth for cleaning is included within the hardware pack.

Wood will mellow and change colour over time, we recommend that ornaments and items placed on the surface are moved regularly for the first few months to prevent uneven mellowing.

Don'ts

Do not drag or pull your furniture.

Do not rub or scrub the surface when cleaning.

Do not use silicone based furniture polish. Silicone in furniture polishes can break down the finish.

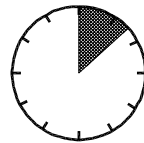
Never allow any kind of liquid to remain on your furniture. Absorption can cause wood to warp or finishes to de-laminate.

Do not place hot items (e.g. hot drinks) directly on to the wood surface. Please make sure you use a placemat or coaster.

Number of people required to assemble

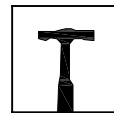
Two people are required to assemble this item

Time to assemble

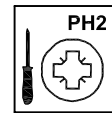


1.5 hour

Tools required



not supplied



not supplied

Missing parts

If you are missing any fixtures and fittings for your product. Please contact our customer service team on 0333 777 8999 and they will be happy to arrange for a replacement to be sent to you free of charge.

Home service technicians

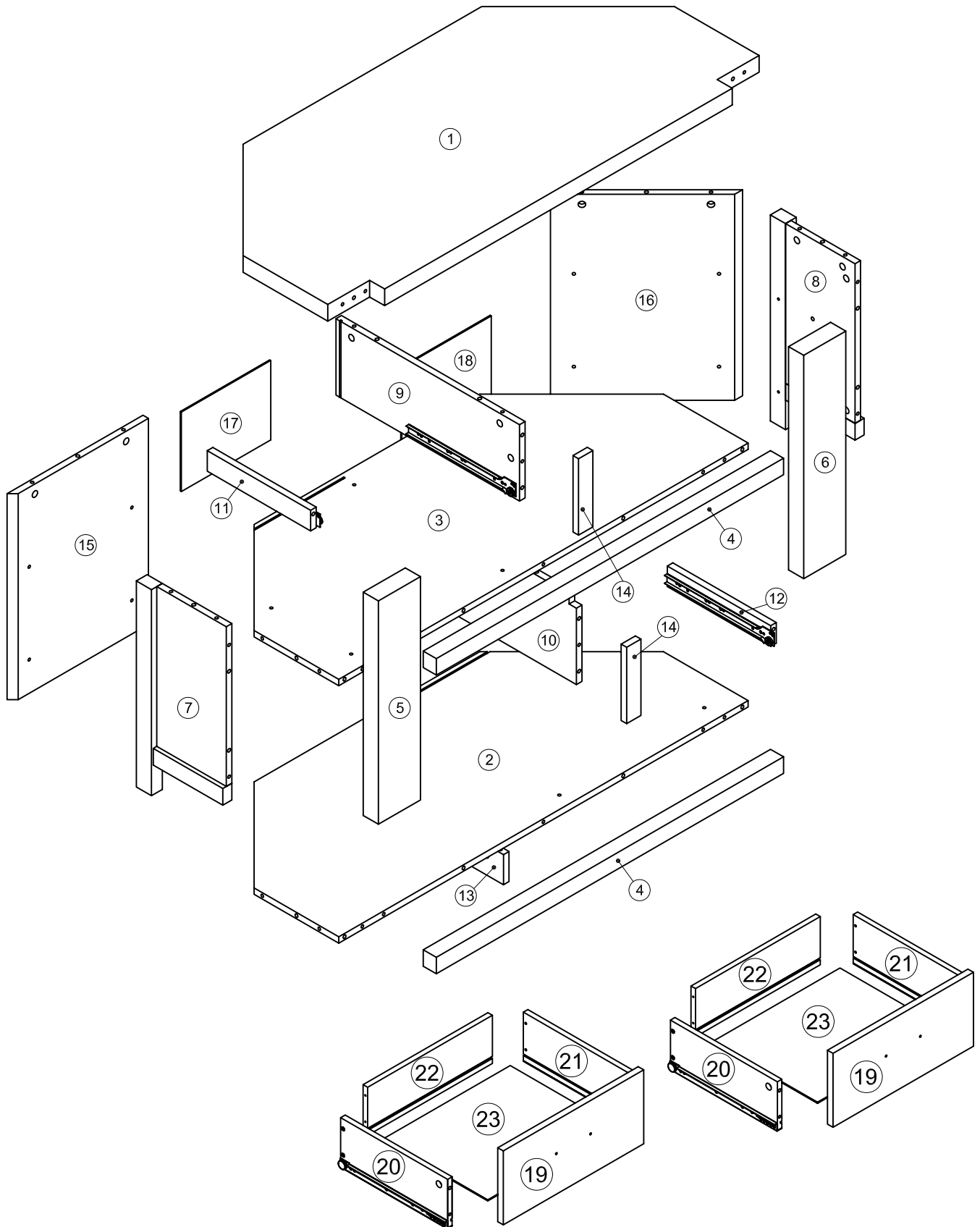
If you have a fault with your product, please contact our customer service team on 0333 777 8999. If you have had the product for 28 days or less you may be offered a replacement, refund or for a fully trained home service technician to visit your home to assess the fault and repair the product where possible. If you have had the product for more than 28 days we will send an independent home service technician to review and repair the product where possible and recommend further action.

You can write to us at

Home Customer Services
Next Retail Ltd.
Desford Road,
Leicester,
LE19 4AT

To view our full furniture range please visit www.next.co.uk

GETTING TO KNOW YOUR PRODUCT



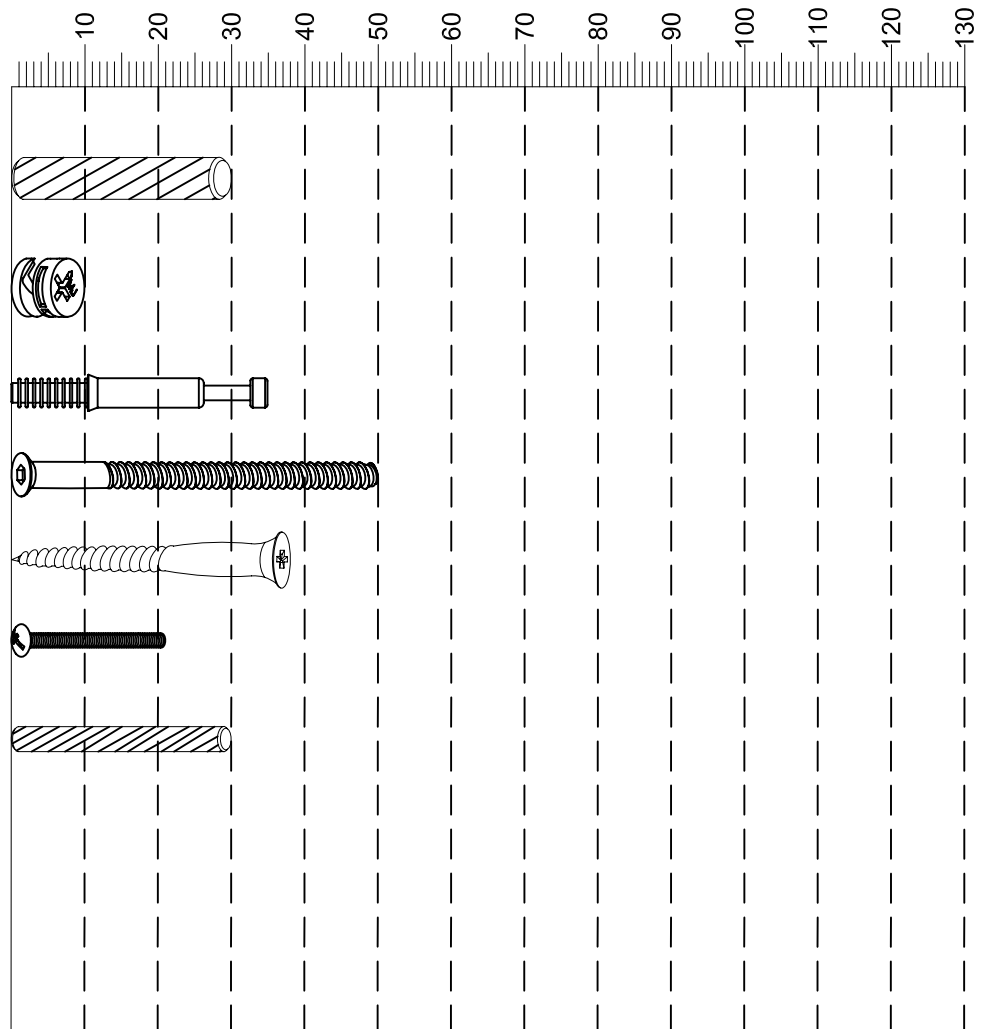
Components supplied. Please use this guide if you require replacement parts.

Ref	Dimensions	Visual	Qty
1	55 x 121cm		1
2	50 x 115cm		1
3	50 x 115cm		1
4	4 x 98cm		2
5	12 x 54cm		1
6	12 x 54cm		1
7	24 x 50cm		1
8	24 x 50cm		1
9	19 x 52cm		1
10	21 x 52cm		1
11	5 x 29cm		1
12	5 x 29cm		1
13	7 x 10cm		1
14	4 x 19cm		2
15	38 x 50cm		1
16	38 x 50cm		1
17	19 x 25cm		1

Ref	Dimensions	Visual	Qty
18	22 x 25cm		1
19	18 x 39cm		2
20	12 x 30cm		2
21	12 x 30cm		2
22	12 x 35cm		2
23	29 x 36cm		2

Fixtures and fittings supplied (actual size)

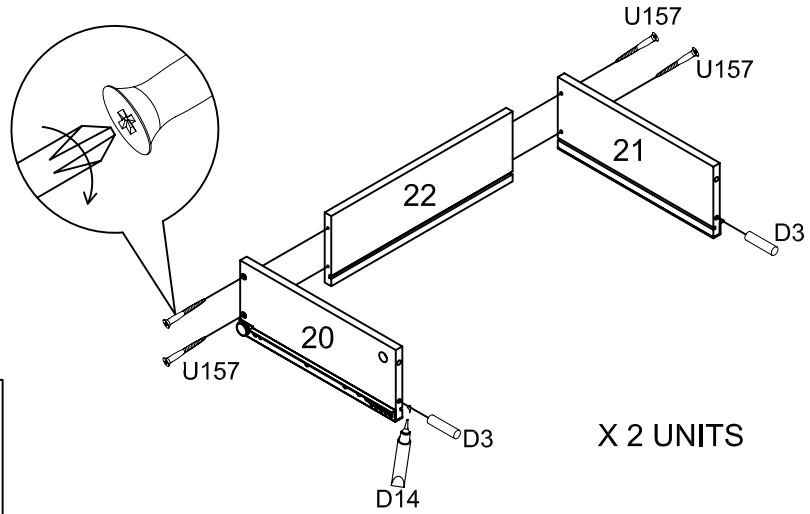
Ref	Dimensions	Qty
D6	8 x 30mm	34
B1	15 x 10mm	45
B7	7.5 x 35mm	45
Y8	6 x 50mm	16
U157	4 x 38mm	8
Z14	4 x 21mm	4
D3	6 x 30mm	4



Fixtures and fittings supplied (not to scale)

Ref	Dimensions	Visual	Qty
T1	4mm		1
D14	N/A		3
O1	25mm		6
E31	N/A		2

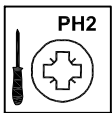
1



not supplied

6 x 30mm

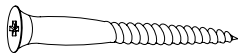
D3 x4



not supplied

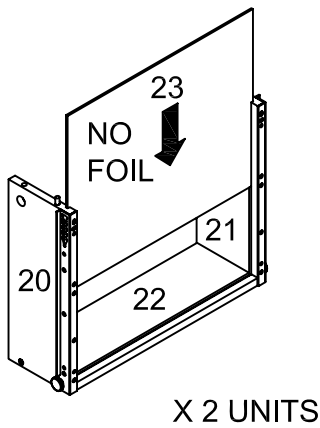
4 x 38mm

U157 x 8



X 2 UNITS

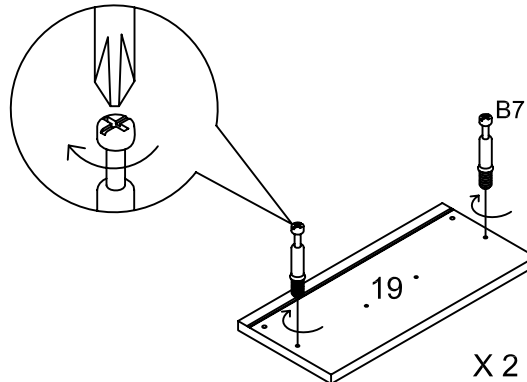
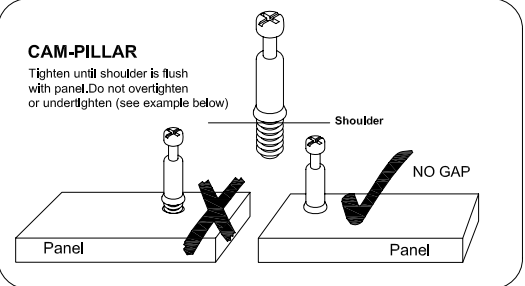
2



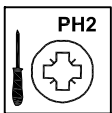
X 2 UNITS

CAM-PILLAR

Tighten until shoulder is flush with panel. Do not overtighten or undertighten (see example below)



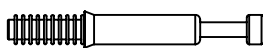
X 2 UNITS



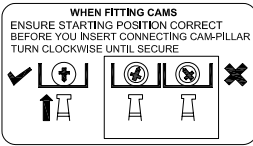
not supplied

7.5 x 35mm

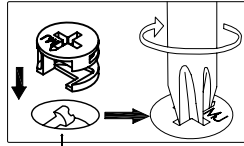
B7 x 4



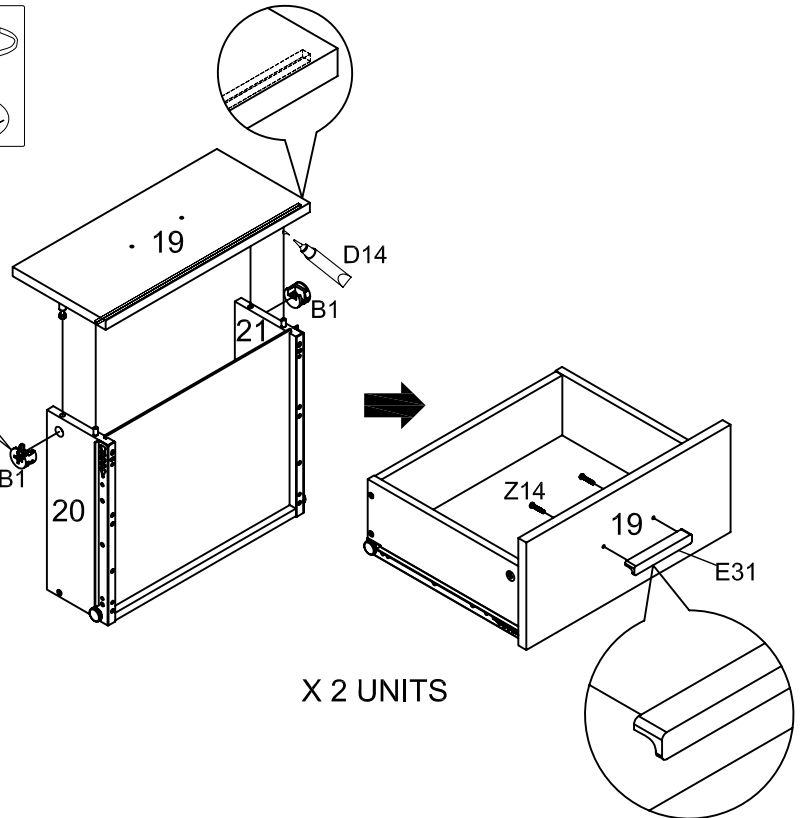
3



Align with long point of cross



Pillar head needs to be in centre



X 2 UNITS

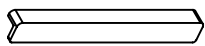


not supplied

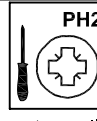
4 x 21mm



Z14 x4



E31 x 2



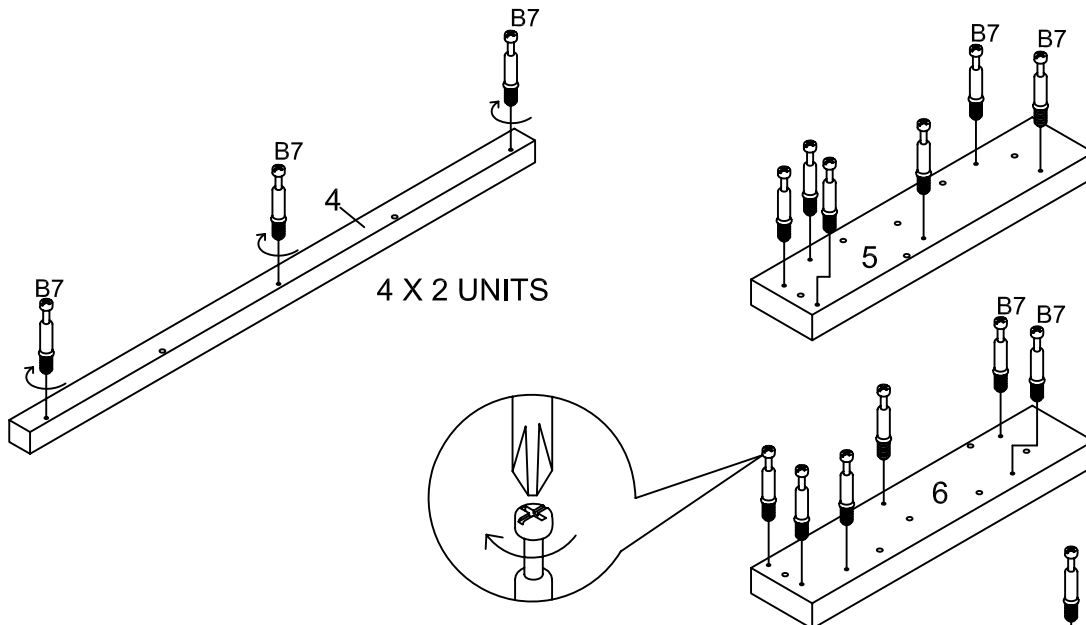
not supplied

15 x 10mm

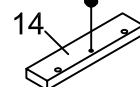


B1 x4

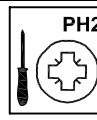
4



4 X 2 UNITS

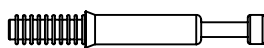


14 X 2 UNITS



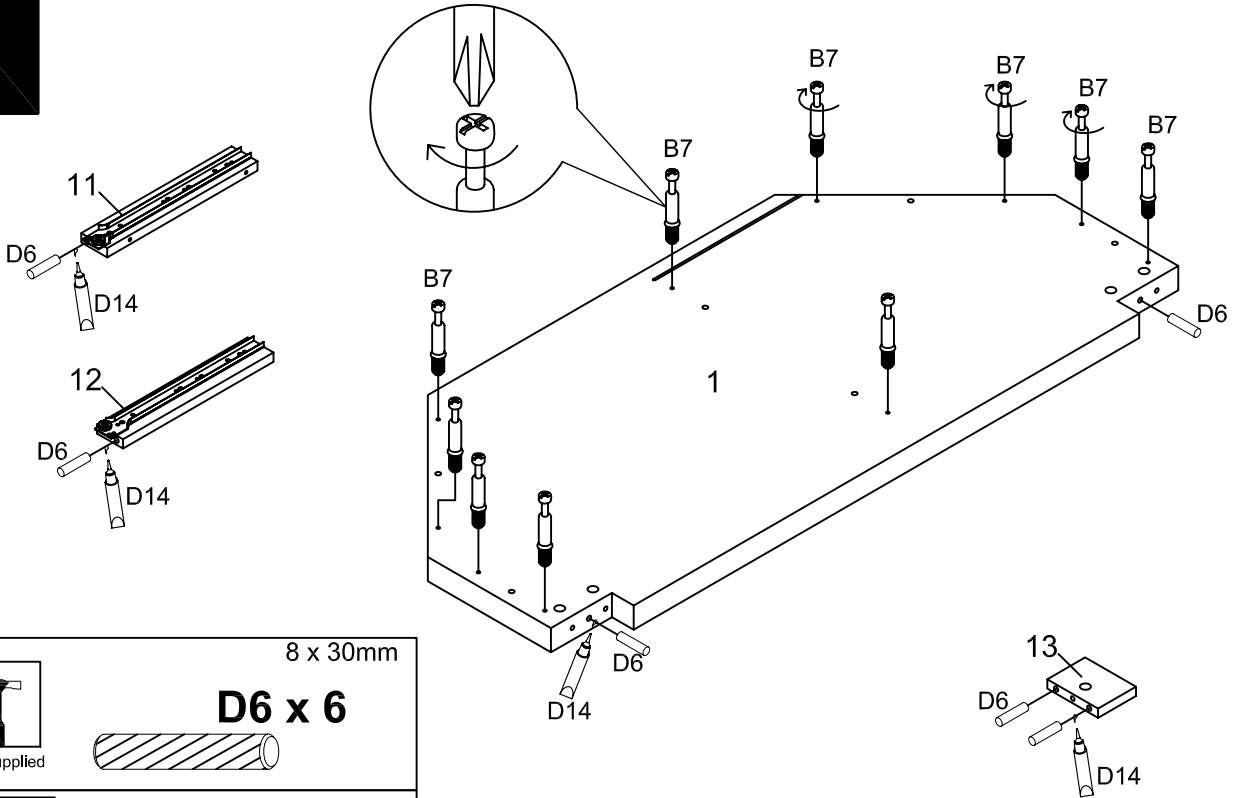
not supplied

7.5 x 35mm



B7 x 20

5



not supplied

8 x 30mm

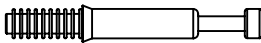
D6 x 6



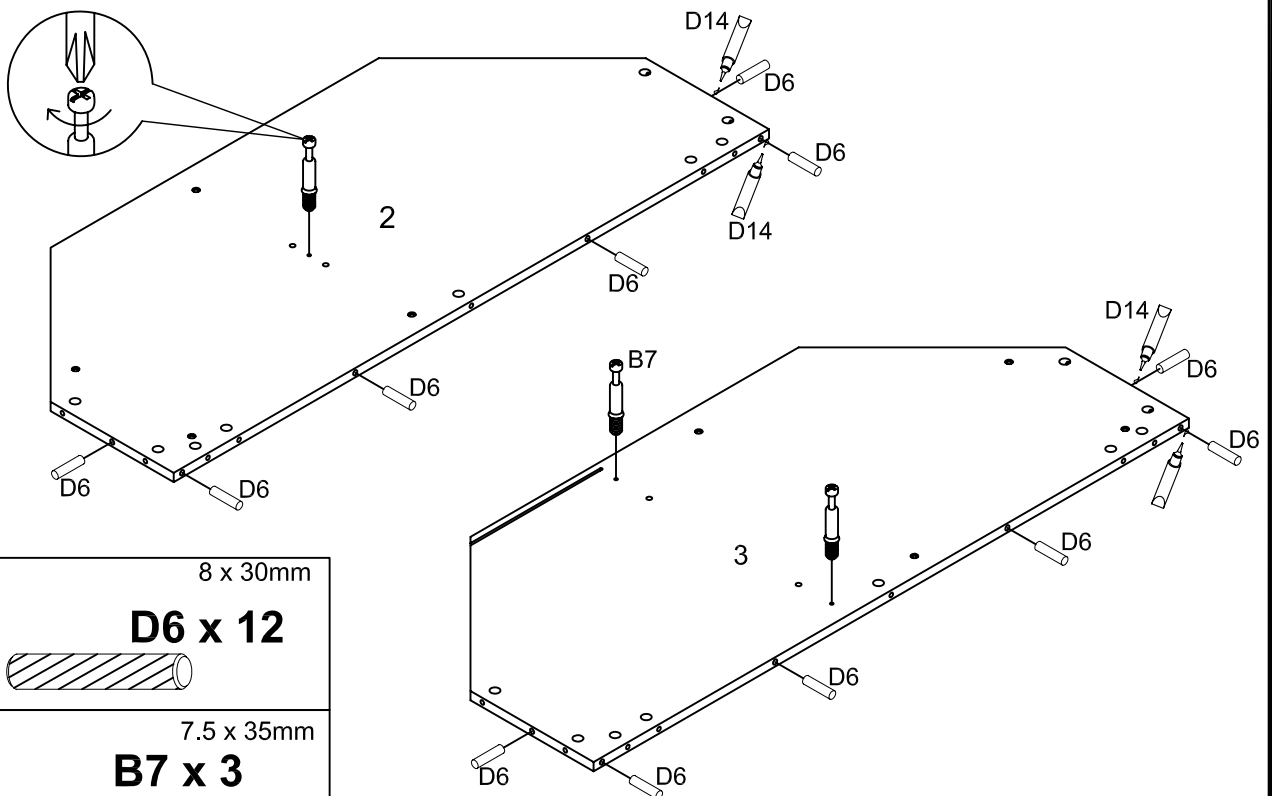
not supplied

7.5 x 35mm

B7 x 10



6



not supplied

8 x 30mm

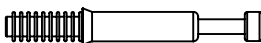
D6 x 12

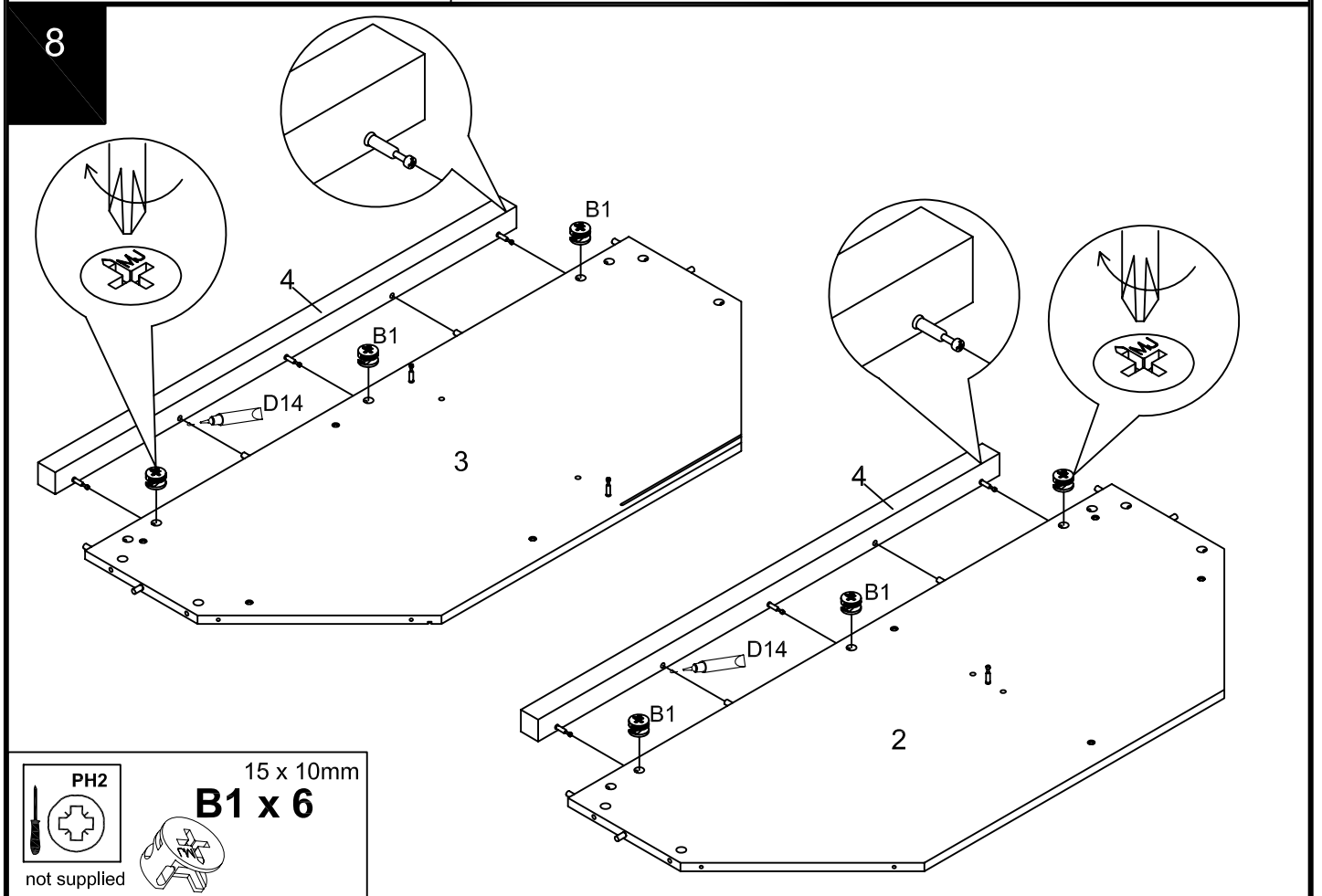
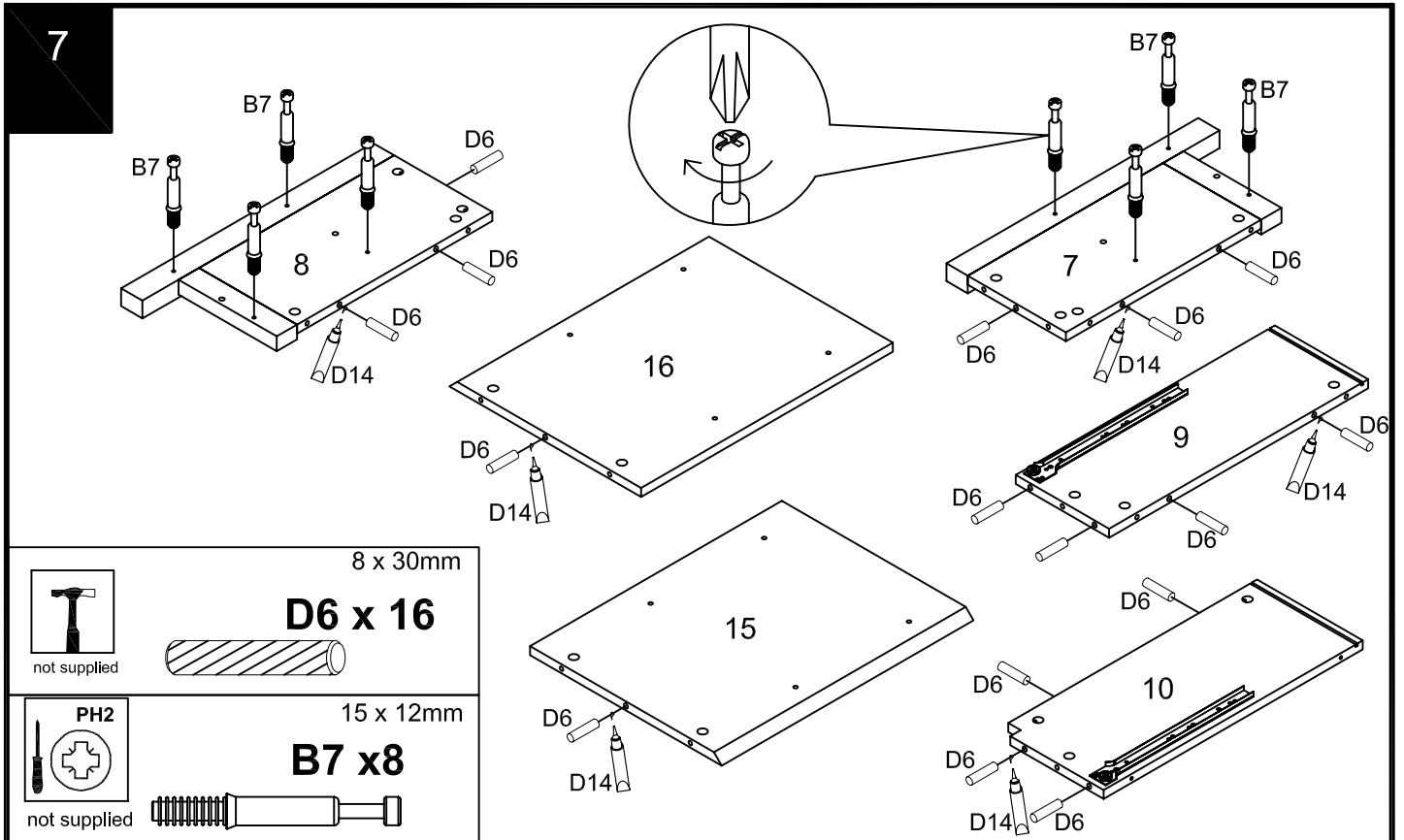


not supplied

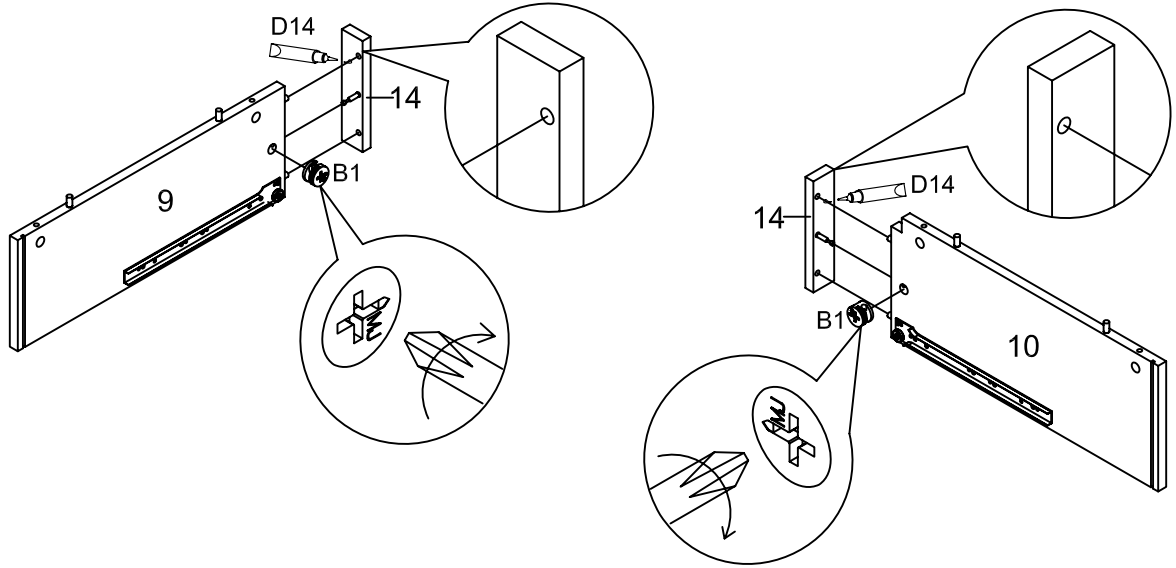
7.5 x 35mm

B7 x 3





9



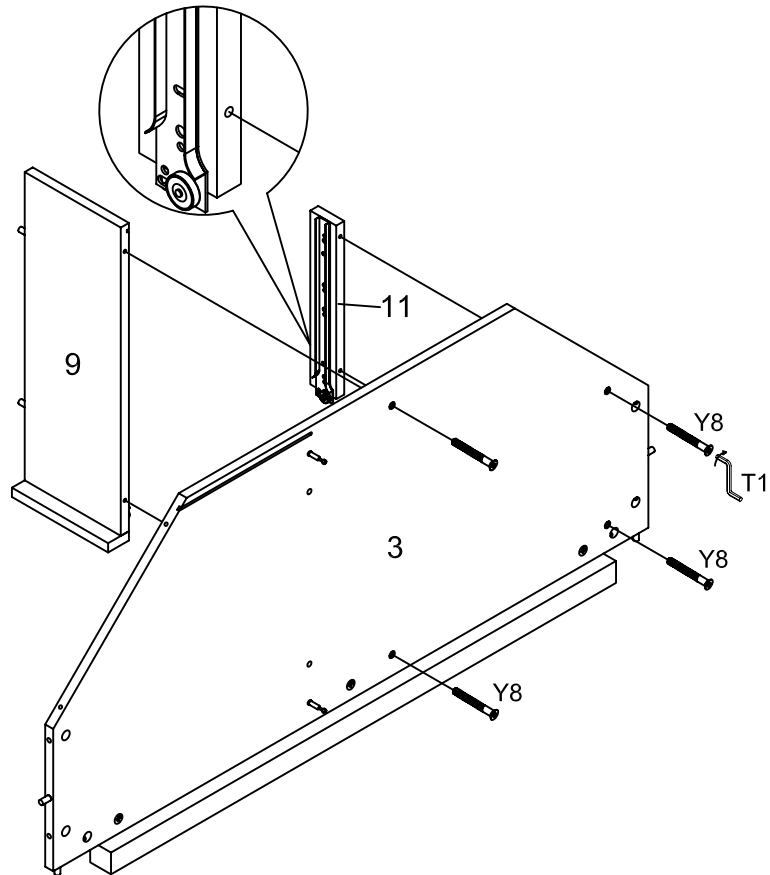
not supplied



15 x 10mm

B1 x 2

10



6 x 50mm

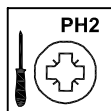
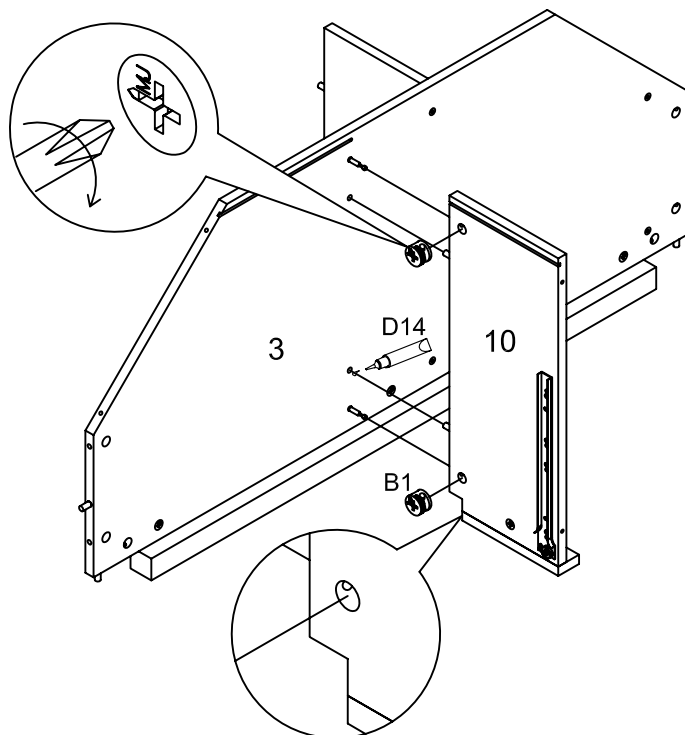
Y8 x 4

4mm



T1 x 1

11



PH2

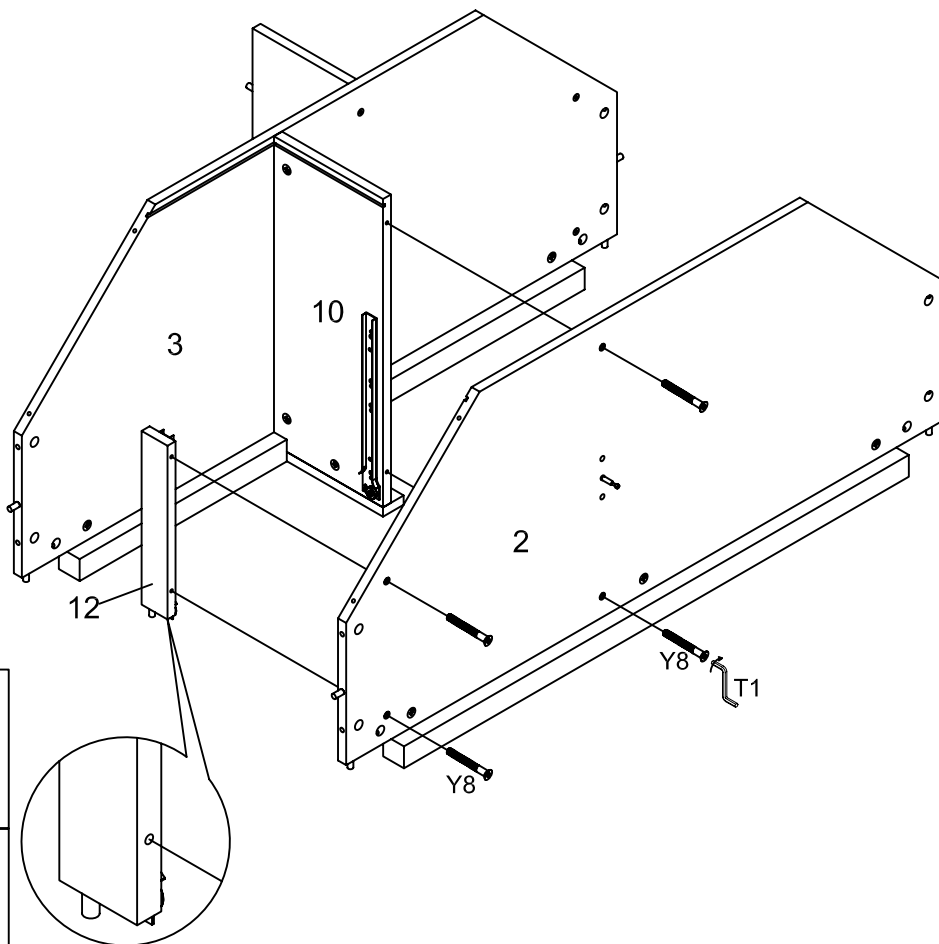
not supplied



15 x 10mm

B1 x 2

12



6 x 50mm

Y8 x 4

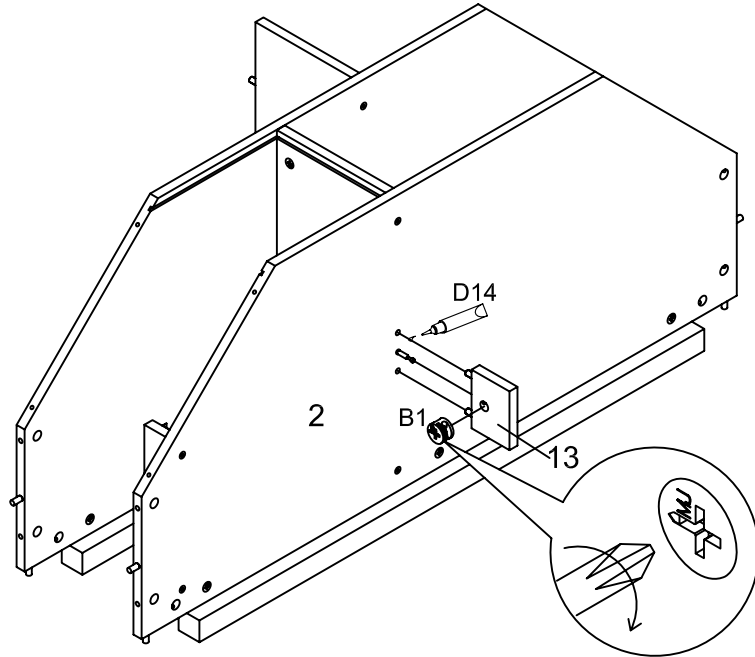


4mm



T1 x 1

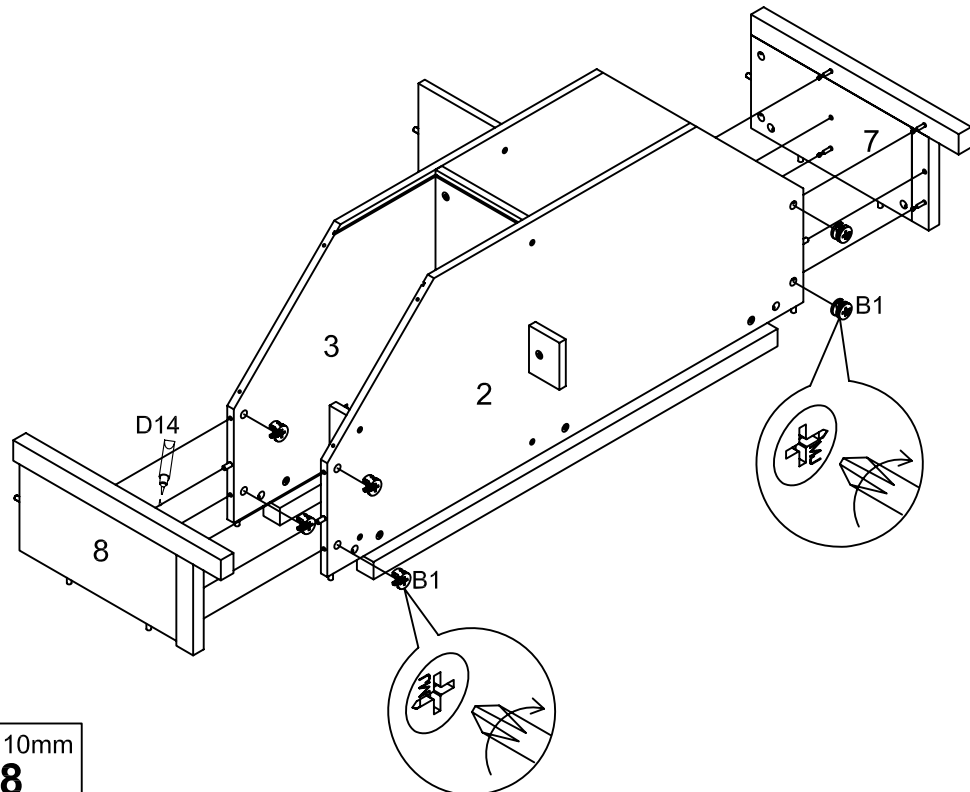
13



PH2
not supplied

15 x 10mm
B1 x 1

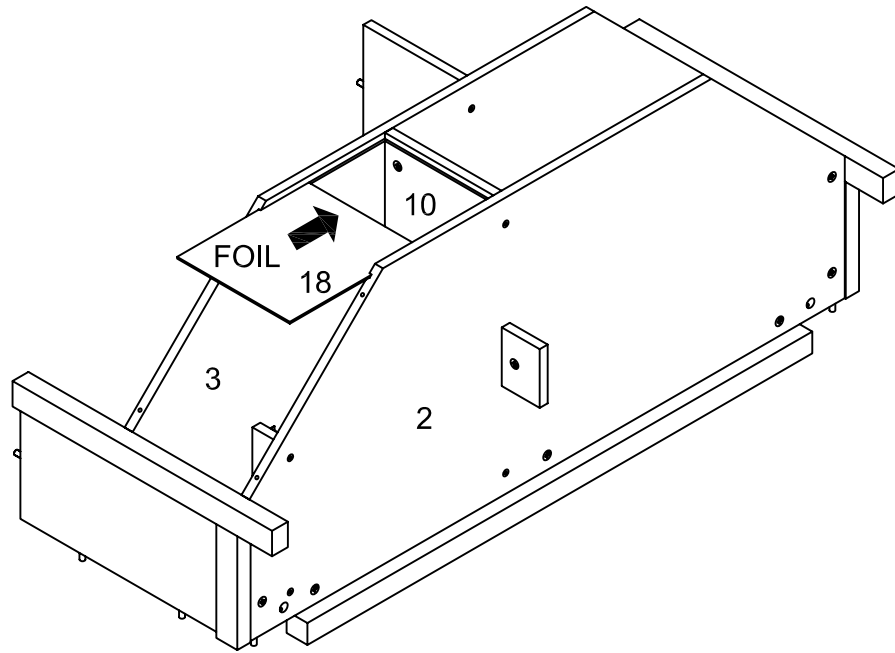
14



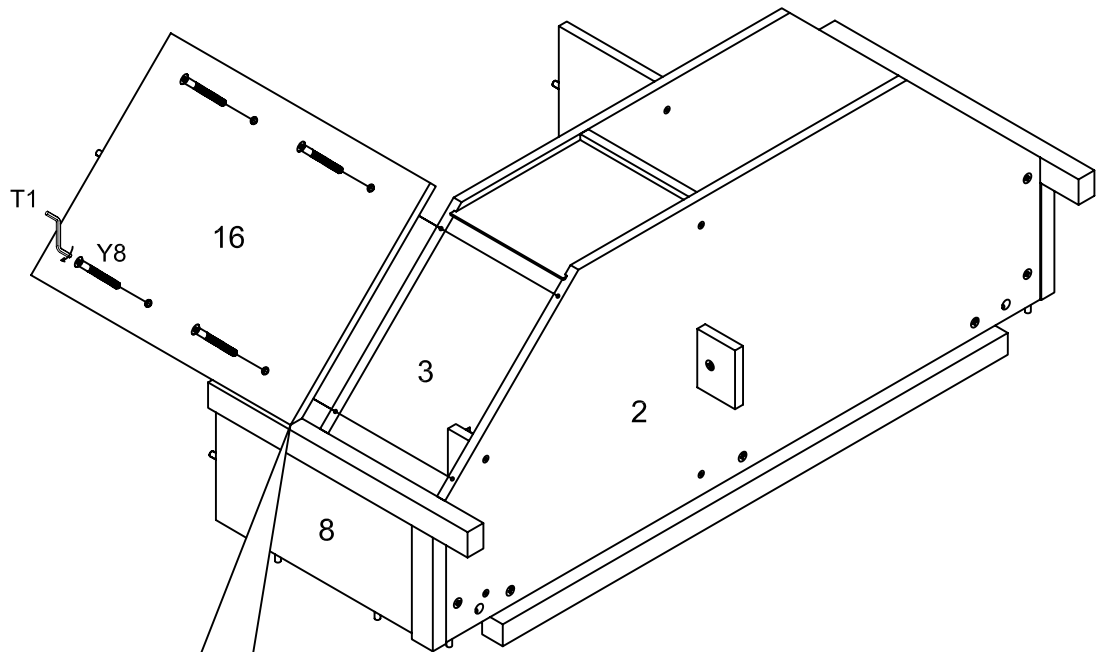
PH2
not supplied

15 x 10mm
B1 x 8

15



16



6 x 50mm

Y8 x 4

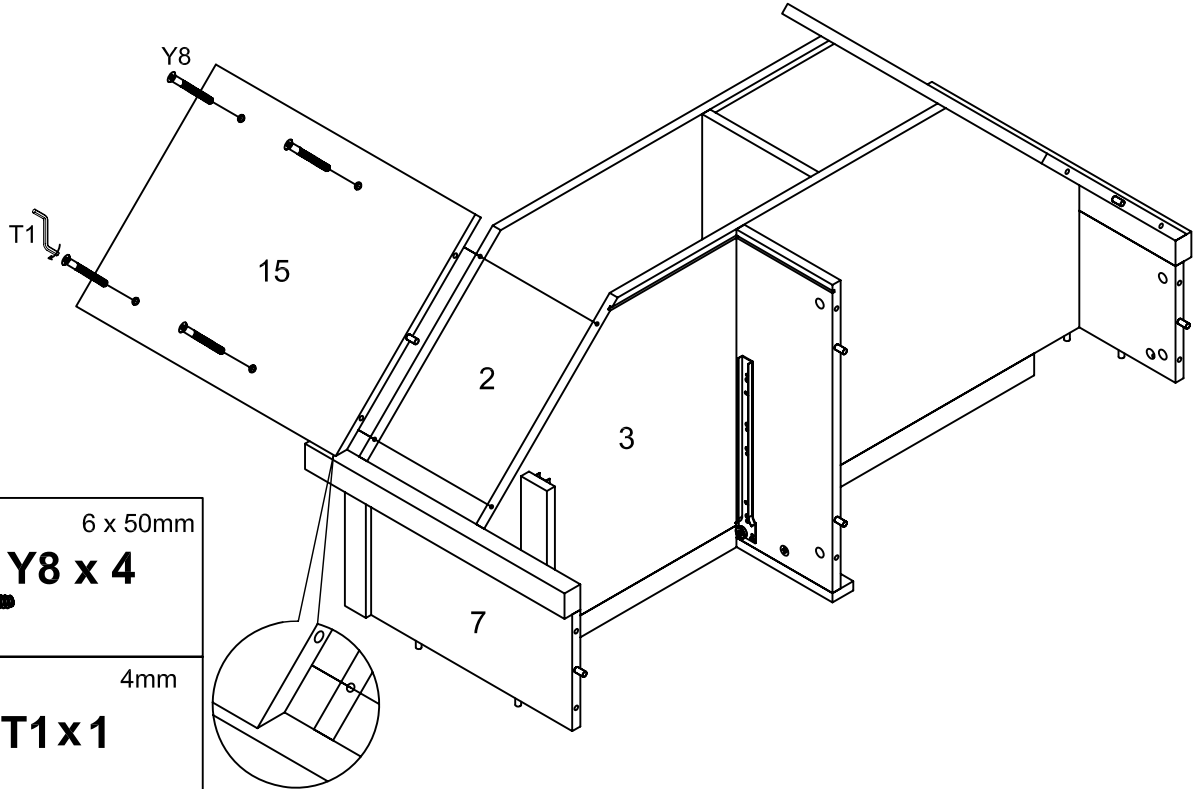


4mm

T1 x 1



17



6 x 50mm

Y8 x 4

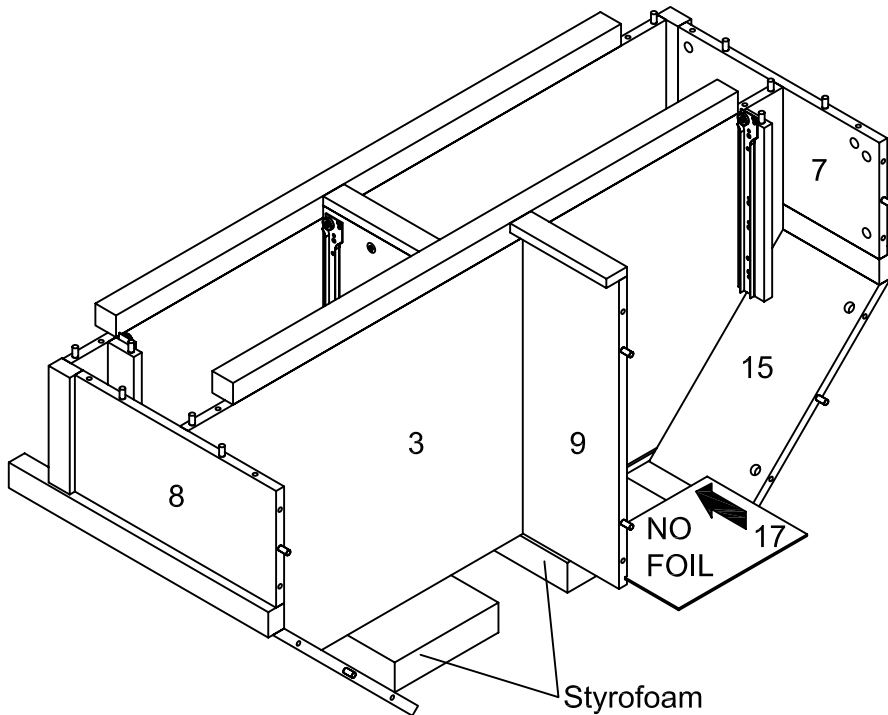


4mm



T1 x 1

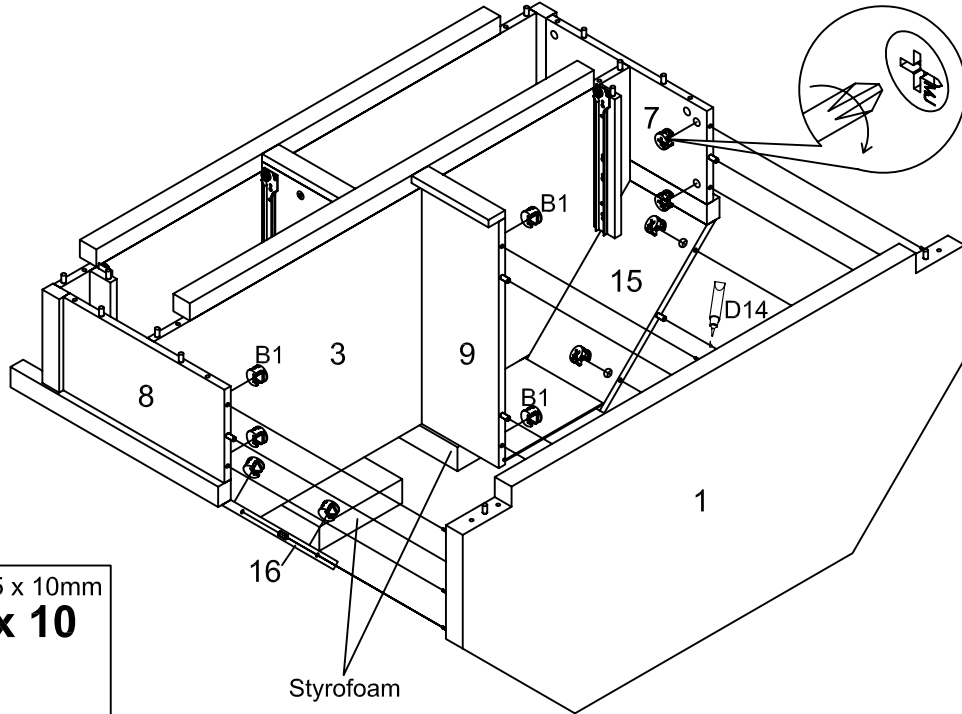
18



Styrofoam

NO
FOIL

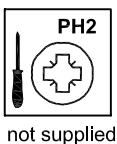
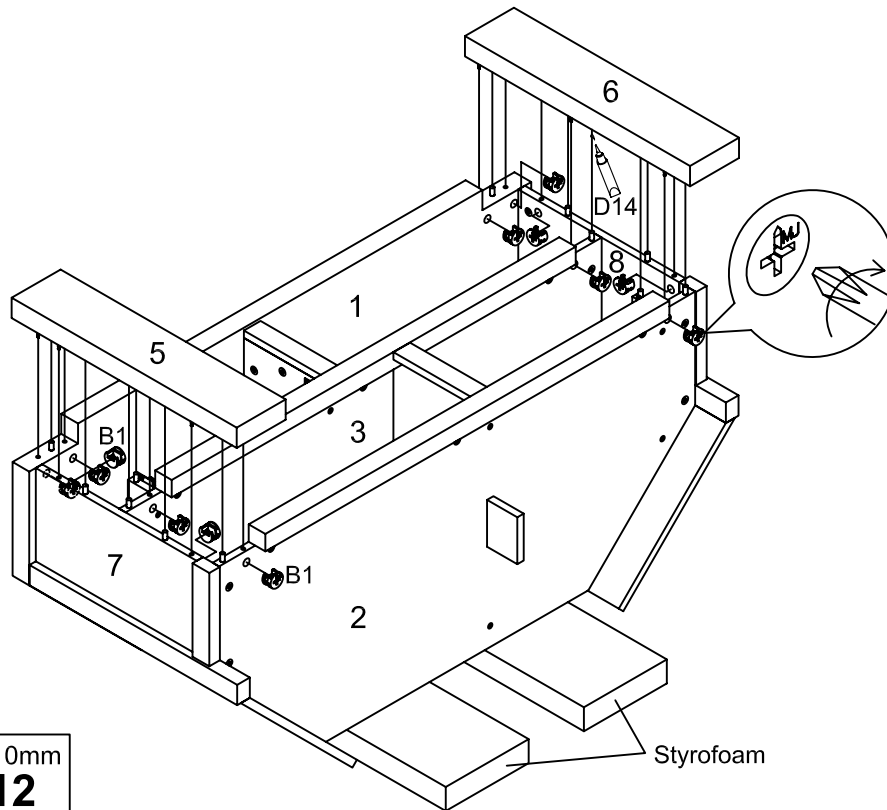
19



15 x 10mm
B1 x 10

Styrofoam

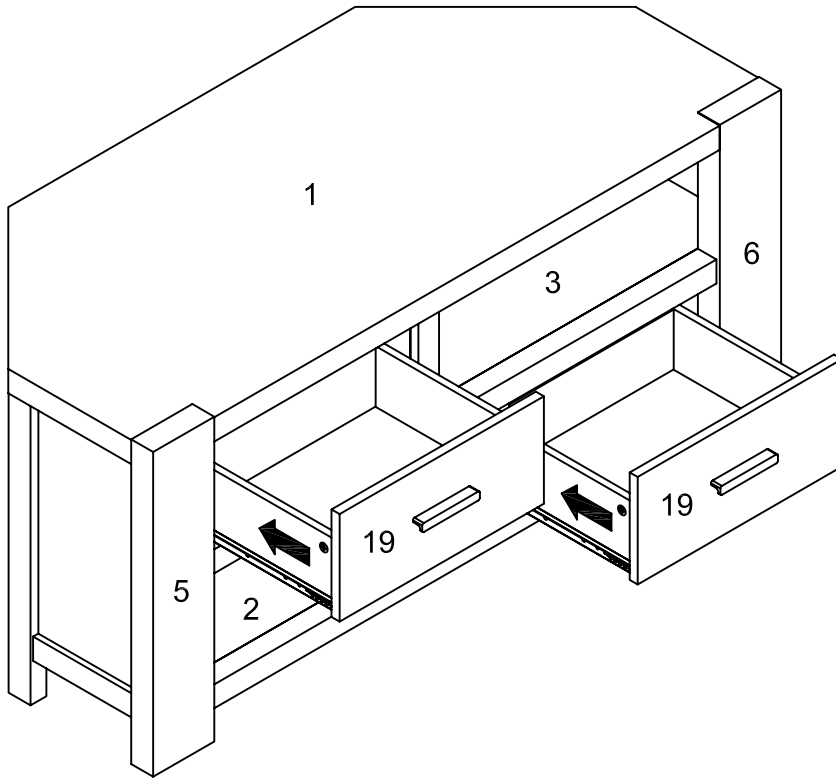
20



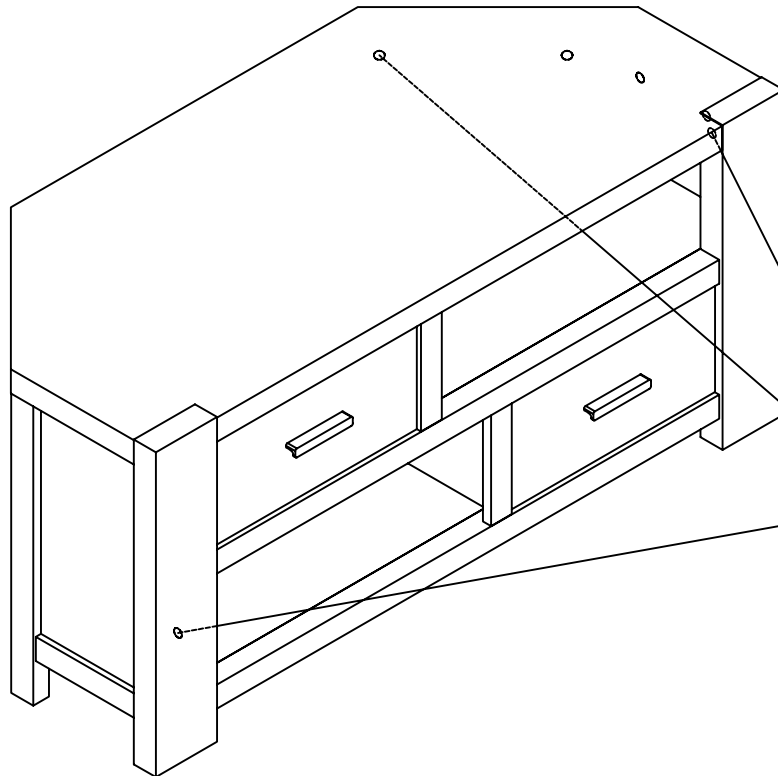
15 x 10mm
B1 x 12

Styrofoam

21

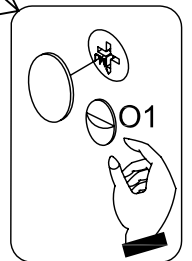


22



25mm

O1x6



next

CORSICA CORNER TV UNIT

664566

Assembly instructions

Actual product size

H54 x W121 x D55cm

