

next

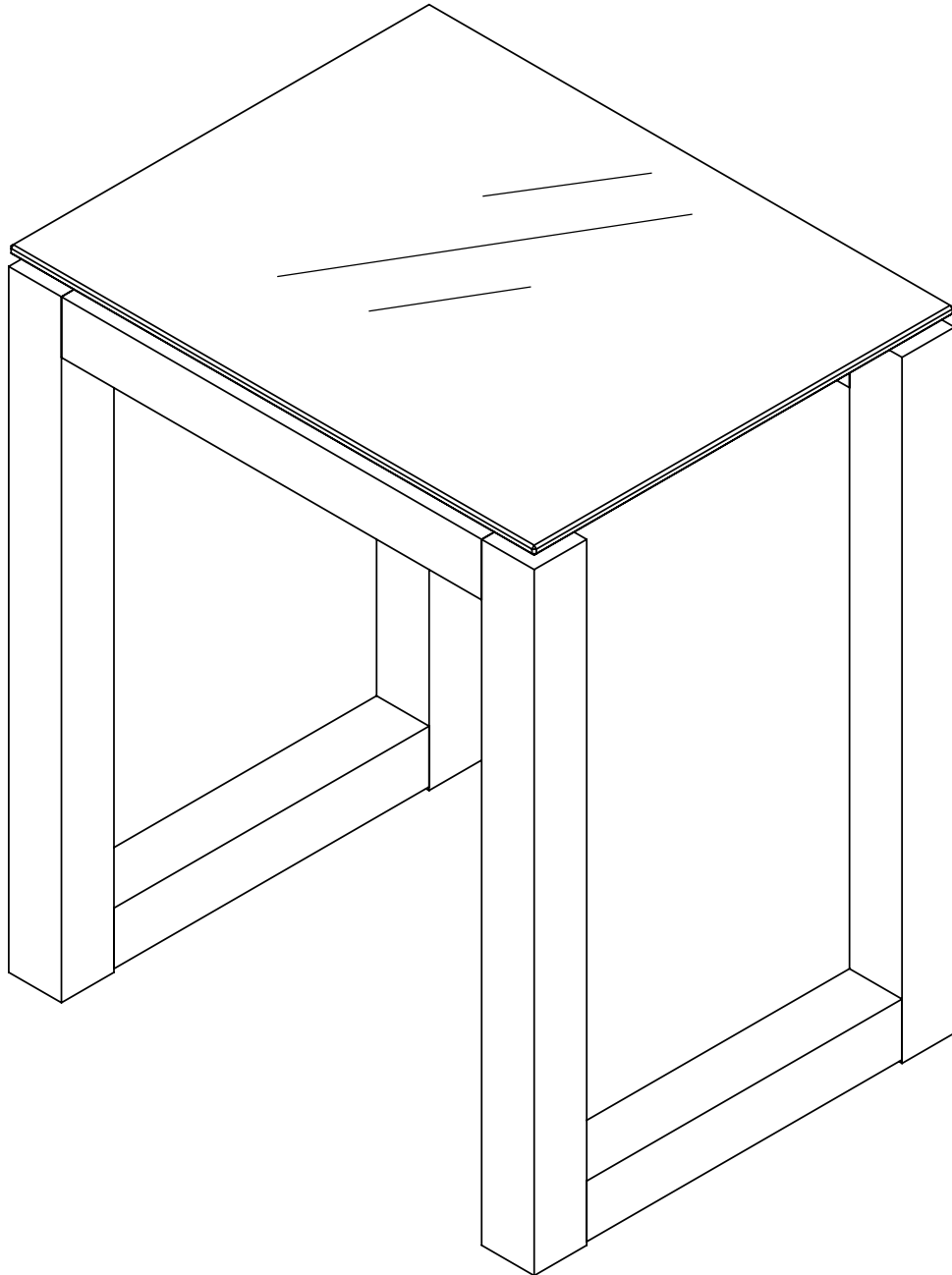
BROOKLYN SIDETABLE

665484

Assembly instructions

Actual product size

H60 x W50 x D40cm



Need Help?

With: Assembly instructions
Missing or damaged parts

CALL: 0333 777 8999

IMPORTANT – RETAIN FOR FUTURE REFERENCE

BEFORE YOU START

Warnings

We suggest you retain these instructions for future reference.

Keep fittings out of children's reach and keep children well away from the construction area.

This product should only be used on firm, level ground.

Please periodically check all fittings and re-tighten as necessary.

Please do not sit or stand on your furniture.

Avoid exposing the furniture to excessive heat or direct sunlight as this can cause deterioration of the colour.

Unwrap all packaging materials and place the components on top of the carton box or on a clean floor to protect it from damage.

Do's

We suggest you spend a short time reading through this leaflet before you start.

When you are ready to start, make sure that you have the right tools and plenty of space.

Unwrap all packaging materials and place the components on a clean surface to protect it from damage.

We recommend that the packaging is used to protect the surfaces during assembly.

Carefully check that you have all the parts before beginning assembly

Due to the size of the product we recommend that it is assembled in the room intended for use.

Ensure the product is fully assembled as illustrated and all fixings are fully tightened before use. Check fixings regularly to ensure they remain tight

Wood will mellow and change colour over time, we recommend that ornaments and items placed on the surface are moved regularly for the first few months to prevent uneven mellowing.

To clean your item, please use a soft cloth slightly dampened with water and wipe clean. Then buff with a dry clean cloth

When cleaning glass panels use a damp cloth with washing up liquid or soft soap if necessary.

Do not use washing powders or any other substances containing abrasives since these substances can scratch the glass

The glass used in this product is toughened and complies with BS EN 12150-1:2009

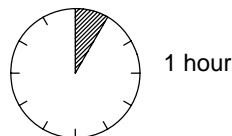
You can write to us at

Home Customer Services
Next Retail Ltd,
Desford Road,
Leicester,
LE19 4AT

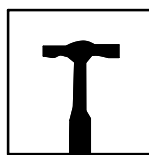
Number of people required to assemble

One person is required to assemble this item.

Time to assemble



Tools required



not supplied

Don'ts

When moving furniture never drag the pieces across the floor, as this will cause damage to the joints Apply Adhesive substrates for example, sticky tape to the product

Do not use silicone based furniture polish. Silicone in furniture polishes can break down the lacquer finish

Ensure that the product is protected with mats & coasters when items are placed on to its surface. Never put hot dishes directly onto wooden or glass surfaces as this may mark the furniture

Never allow any kind of liquid to remain on your furniture. Absorption can cause finishes to de-laminate and or stain

If the glass is chipped or broken, stop using the product and consult Next

Do not place very hot or very cold items on the glass surface, unless adequately thick table mats are used to prevent such items from coming into contact with the glass

Do not use glass as a chopping surface. Do not strike the glass with hard or pointed items

Missing parts

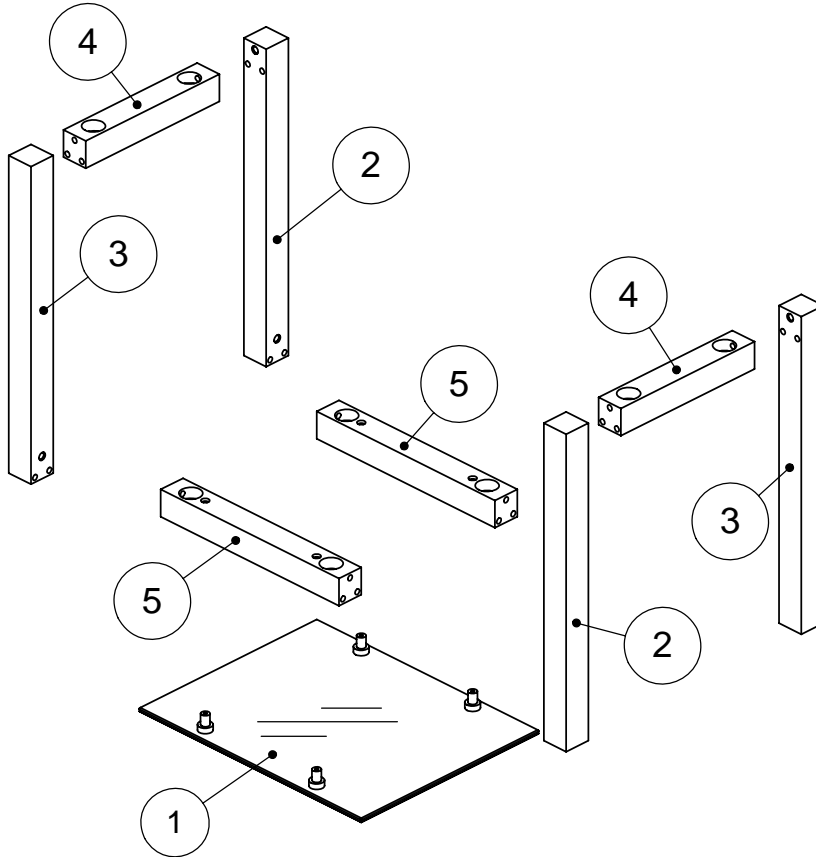
If you are missing any fixtures and fittings for your product please contact our customer service team on **0333 777 8999** and they will be happy to arrange for a replacement to be sent to you free of charge.

Home service technicians

If you have a fault with your product please contact our customer service team on **0333 777 8999**. If you have had the product for 28 days or less you may be offered a replacement, refund or for a fully trained home service technician to visit your home to assess the fault and repair the product where possible. If you have had the product for more than 28 days we will send an independant home service technician to review and repair the product where possible and recommend further action.

To View our full furniture range please visit www.next.co.uk

GETTING TO KNOW YOUR PRODUCT

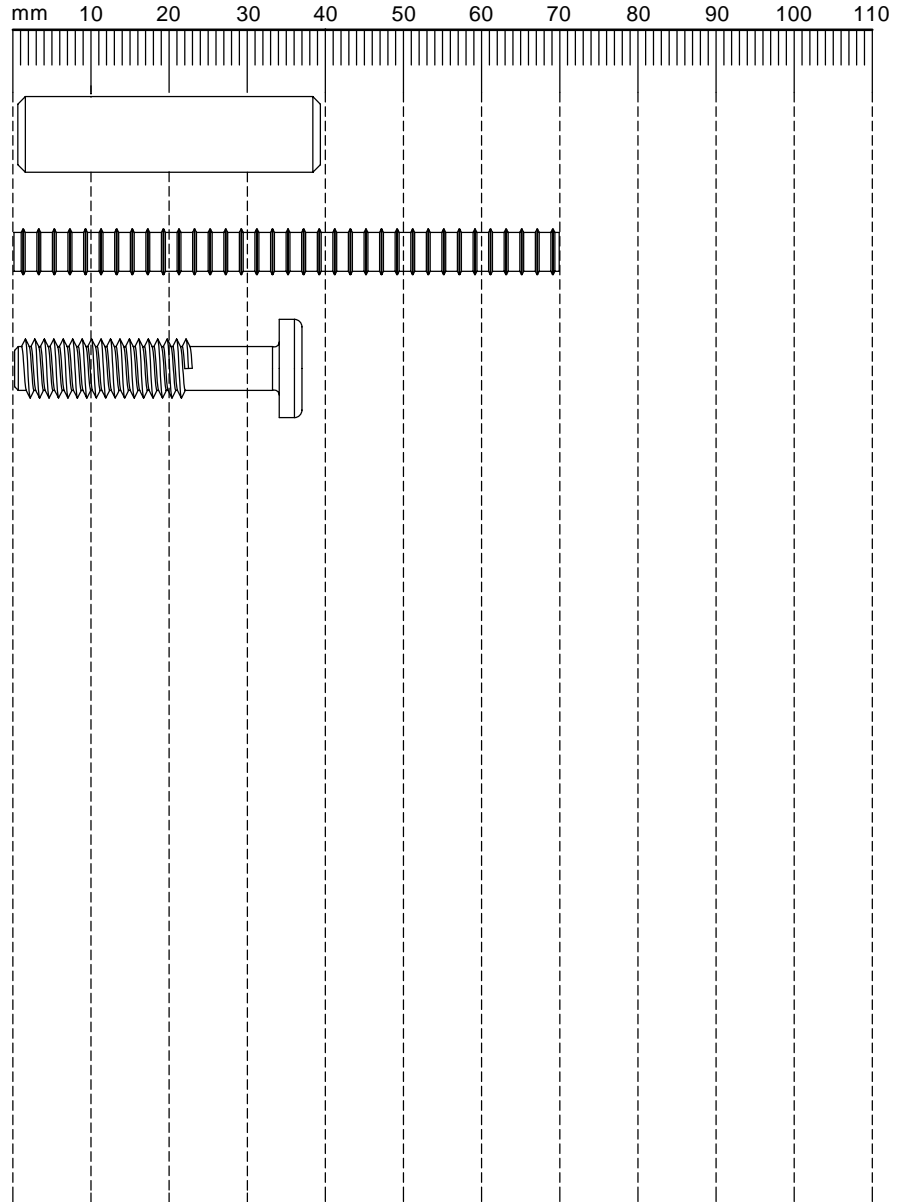


Components supplied. Please use this guide if you require replacement parts.

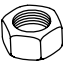
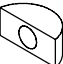
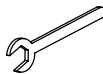

Ref	Dimensions	Visual	Qty	Ctn	Ref	Dimensions	Visual	Qty	Ctn
1	40 x 50cm		1	1	5	5 x 40cm		2	1
2	5 x 58cm		2	1					
3	5 x 58cm		2	1					
4	5 x 30cm		2	1					

Fixtures and fittings supplied (actual size)

Ref	Dimensions	Qty	*Extra Fittings
AK	10 x 40mm	16	2
AQ	8 x 70mm	8	1
AJ	6 x 35mm	4	1

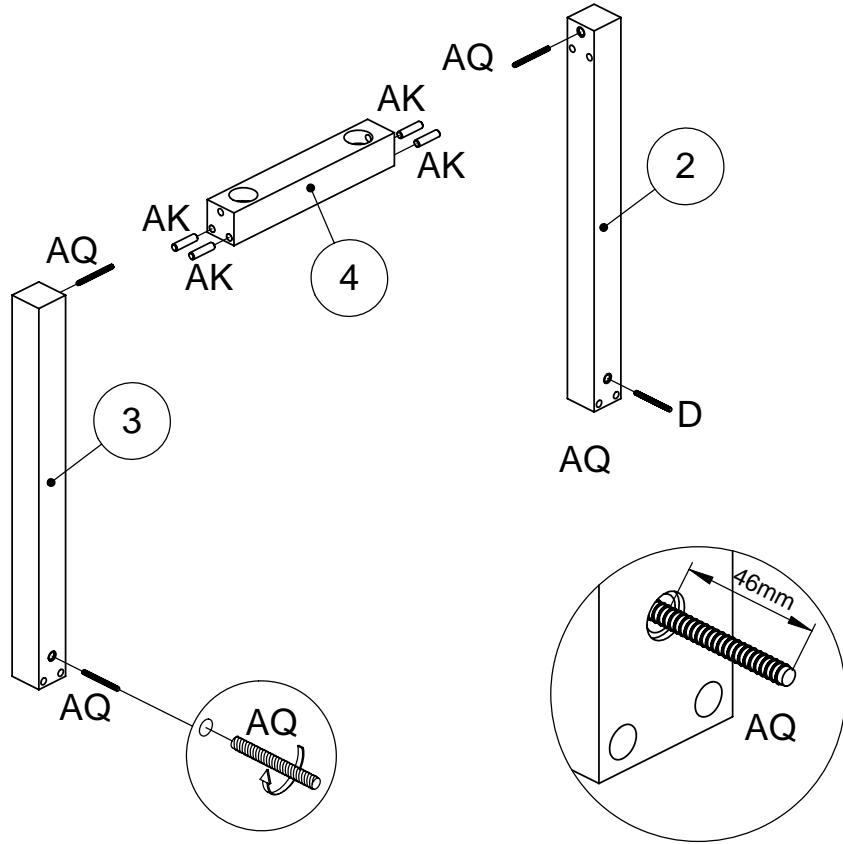


Fixtures and fittings supplied(not to scale)

Ref	Dimensions	Visual	Qty	*Extra Fittings
AS	M8		8	1
AR			8	1
AT			1	
AV	4mm		1	

1

x2



AQ x 8 8 x 70mm

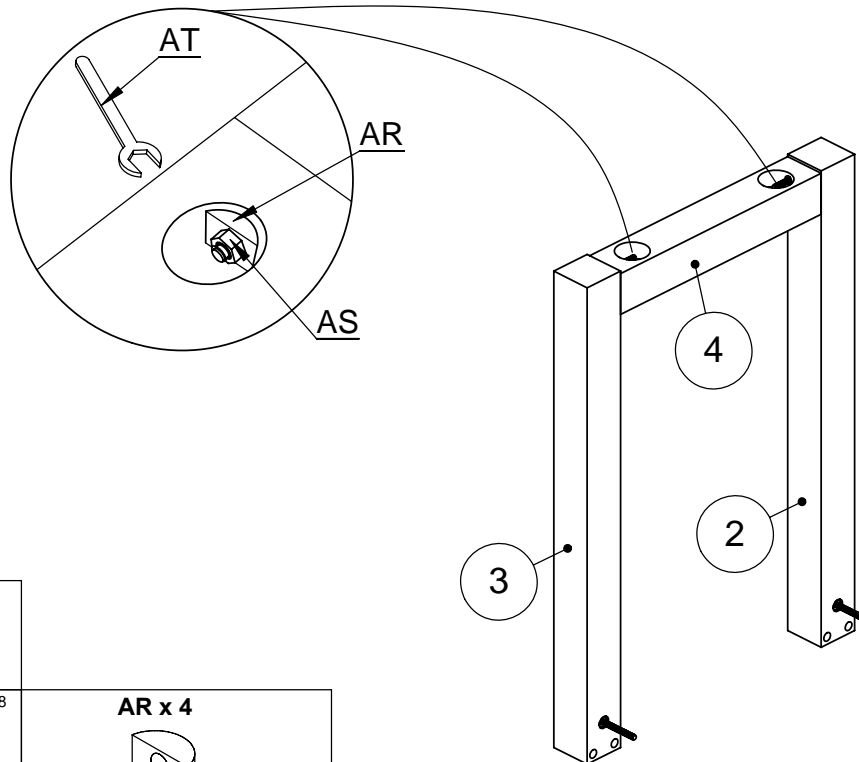


AK x 8 10 x 40mm

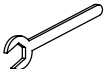


2

x2



AT x 1



AS x 4 M8

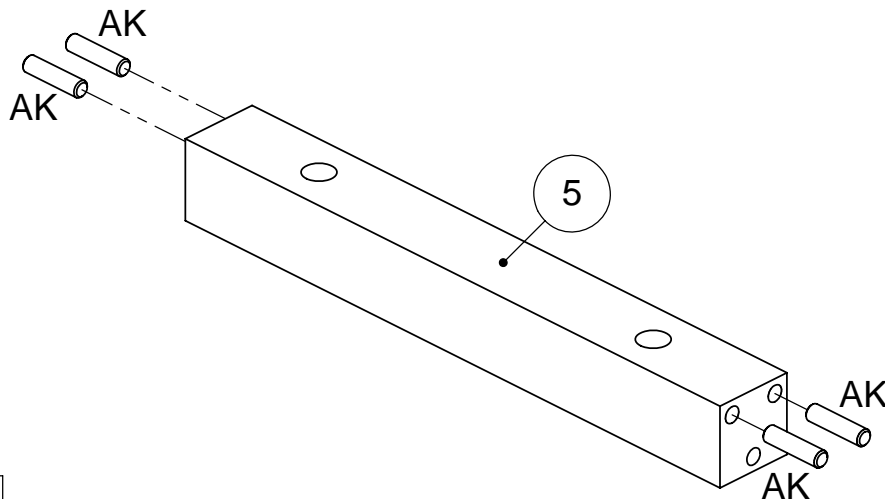


AR x 4



3

x2

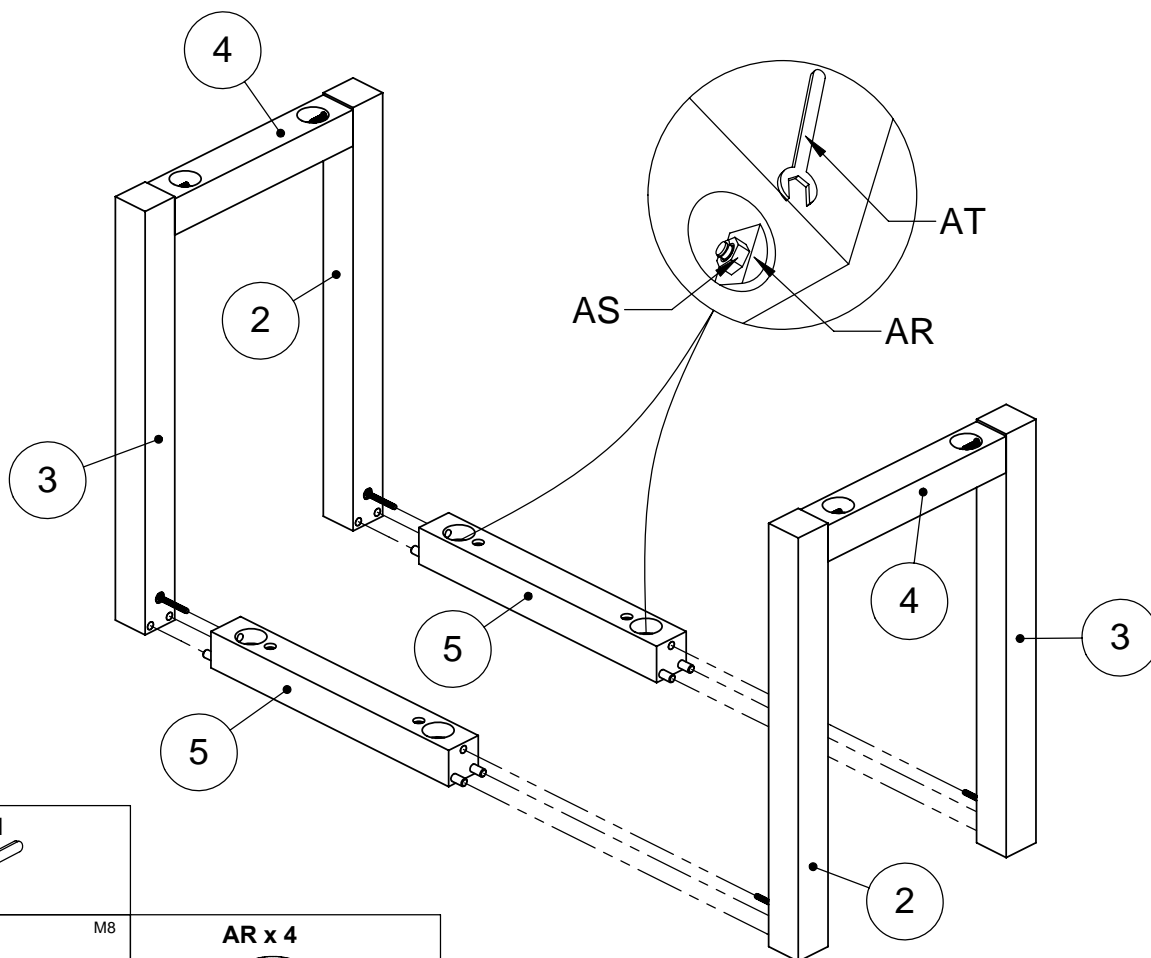


not supplied

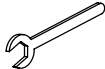
AK x 8 10 x 40mm



4



AT x 1



AS x 4

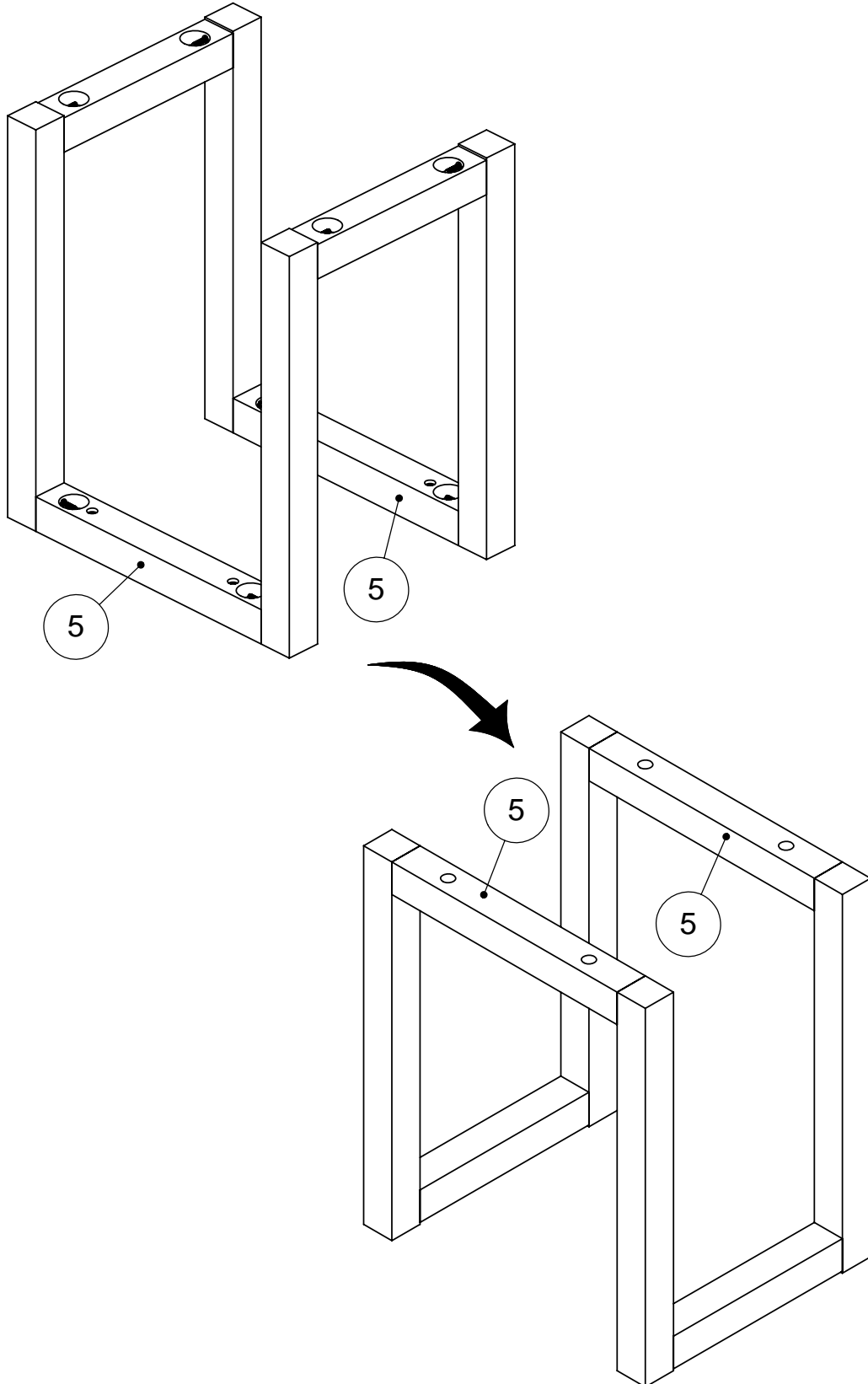


M8

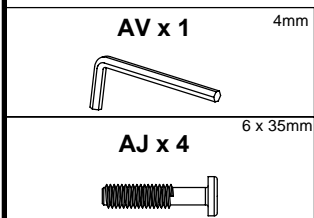
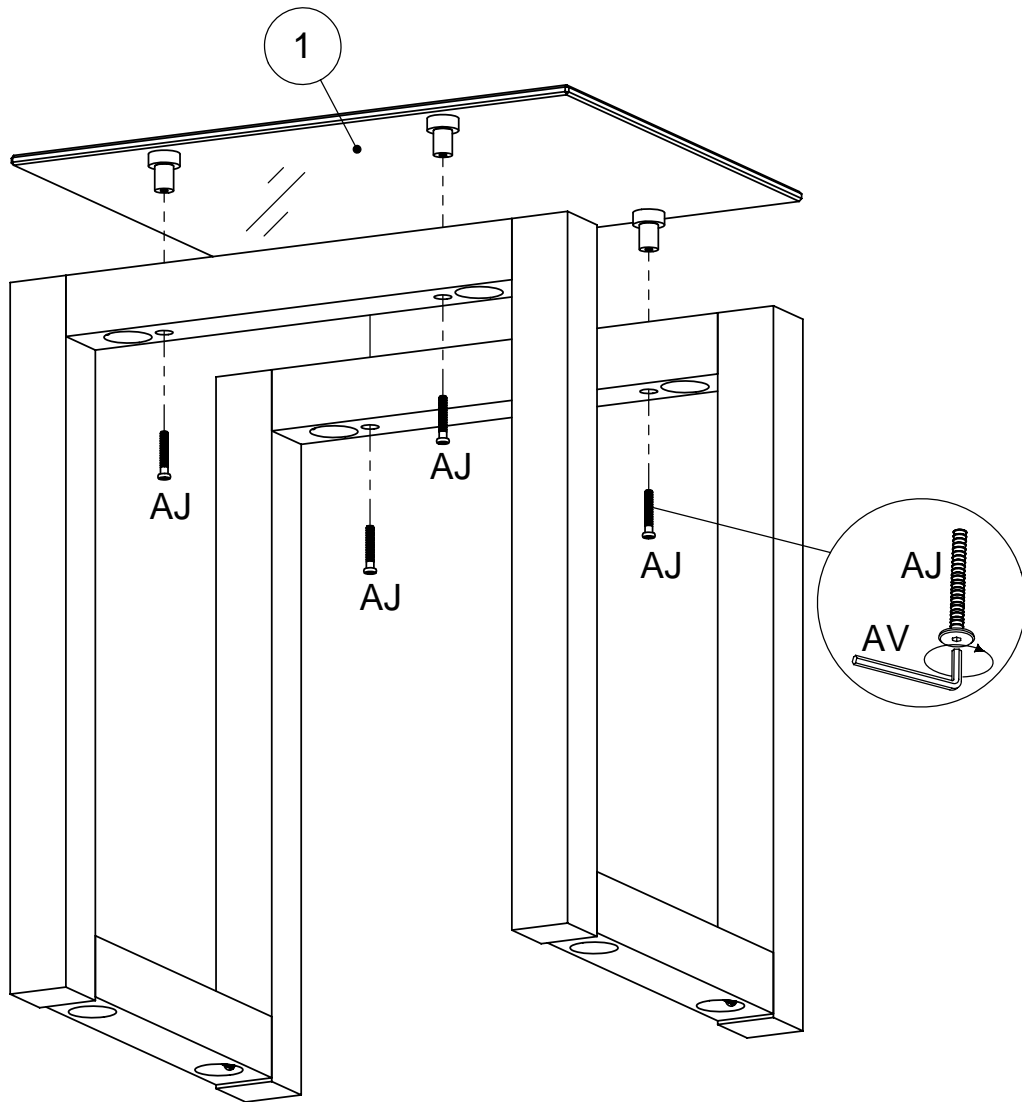
AR x 4



5



6



next

BROOKLYN SIDETABLE

665484

