

next

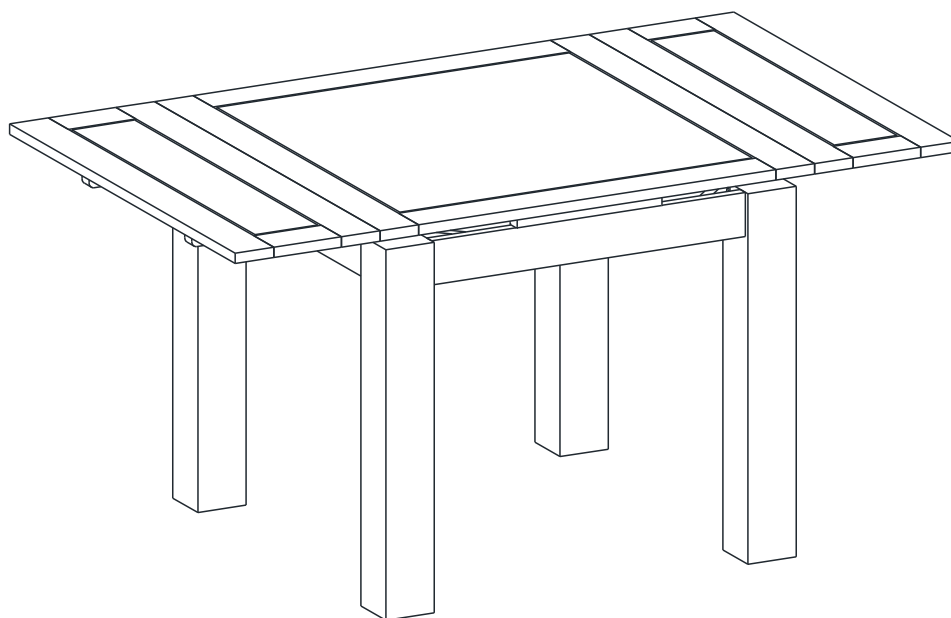
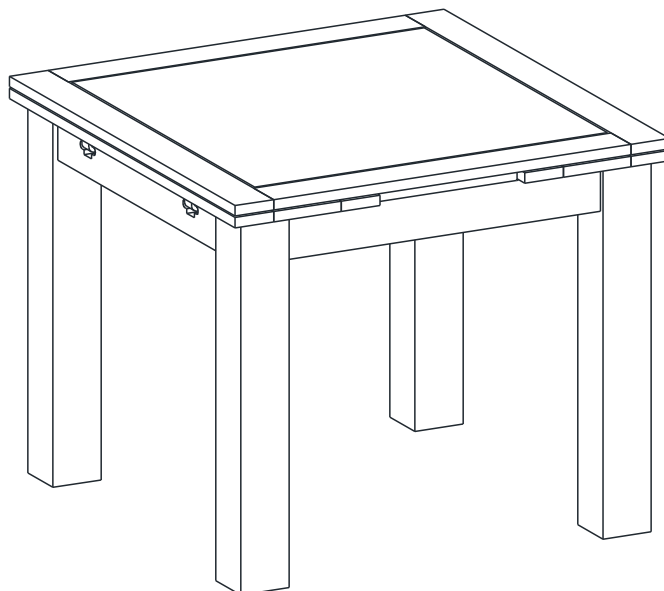
OAKHAM SQUARE EXTENDING DINING TABLE

668783

Assembly instructions

Actual product size

H76 x W90(150) x D90cm



Need Help?

With: Assembly instructions
Missing or damaged parts

CALL: 0333 777 8999

IMPORTANT – RETAIN FOR FUTURE REFERENCE

BEFORE YOU START

Warnings

We suggest you retain these instructions for future reference
Keep fittings out of children's reach and keep children well away from construction area.

This product should only be used on firm, level ground

Please periodically check all fittings and re-tighten as necessary

Please do not sit or stand on your table

Avoid exposing the furniture to excessive heat or direct sunlight as this can cause cracking of the wood and deterioration of the colour

Unwrap all packaging materials and place the components on top of the carton box or on a clean floor to protect it from damage

Do's

We suggest you spend a short time reading through this leaflet before you start

When you are ready to start, make sure that you have the right tools and plenty of space

Unwrap all packaging materials and place the components on a clean surface to protect it from damage,

We recommend that the packaging is used to protect the surfaces during assembly

Carefully check that you have all the parts before beginning assembly

Due to the size of the product we recommend that it is assembled in the room intended for use

Ensure the product is fully assembled as illustrated and all fixings fully tightened before use. Check fixings regularly to ensure they remain tight

Wood will mellow and change colour over time, we recommend that ornaments and items placed on the surface are moved regularly for the first few months to prevent uneven mellowing.

Don'ts

When moving furniture never drag the pieces across the floor, as this will cause damage to the joints

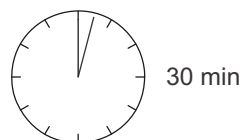
Apply Adhesive substrates for example, sticky tape to the product

Do not use silicone based furniture polish. Silicone in furniture polishes can break down the lacquer finish

Number of people required to assemble

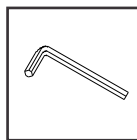
Two persons are required to assemble this item.

Time to assemble



30 min

Tools required



supplied

Missing parts

If you are missing any fixtures and fittings for your product please contact our customer service team on 0333 777 8999 and they will be happy to arrange for a replacement to be sent to you free of charge.

Home service technicians

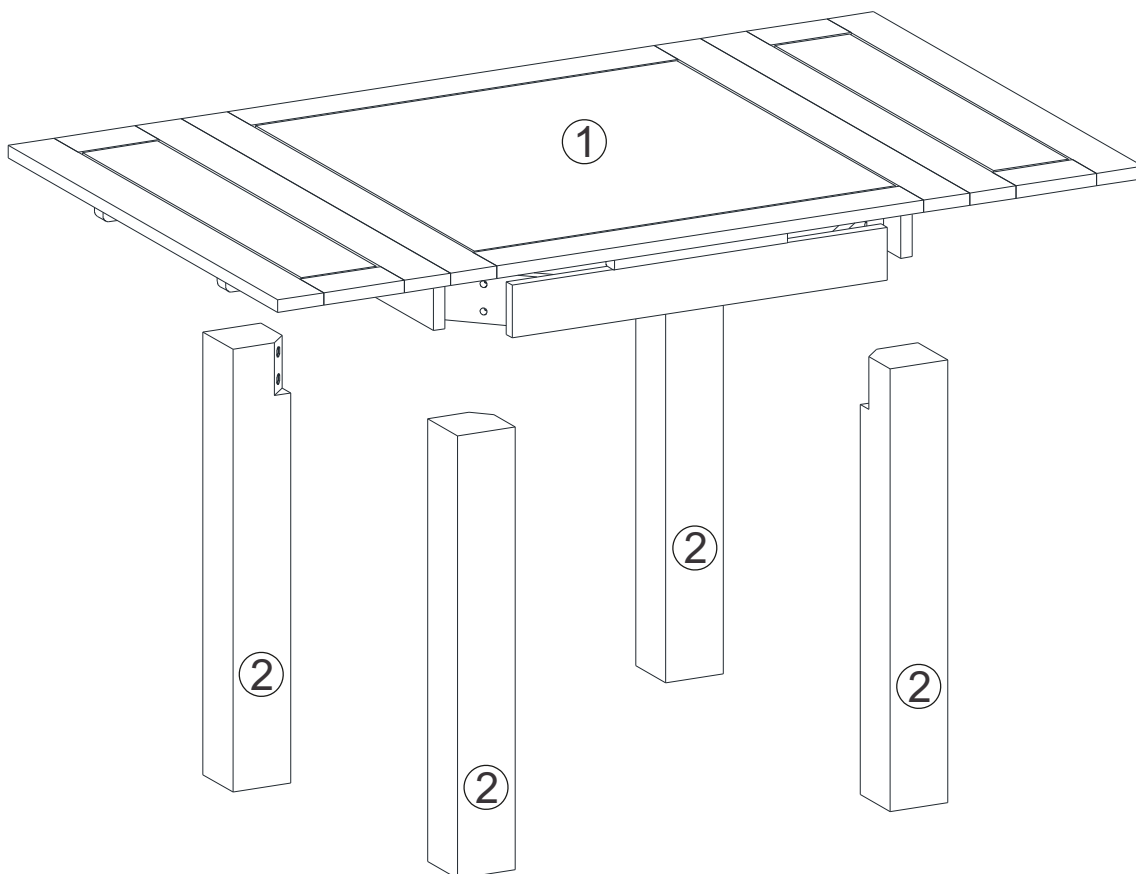
If you have a fault with your product please contact our customer service team on 0333 777 8999. If you have had the product for 28 days or less you may be offered a replacement, refund or for a fully trained home service technician to visit your home to assess the fault and repair the product where possible. If you have had the product for more than 28 days we will send an independent home service technician to review and repair the product where possible and recommend further action.

You can write to us at

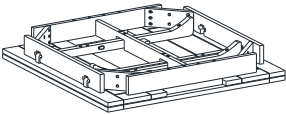

Home Customer Services
Next Retail Ltd,
Desford Road,
Leicester,
LE19 4AT

To View our full furniture range please visit www.next.co.uk

GETTING TO KNOW YOUR PRODUCT

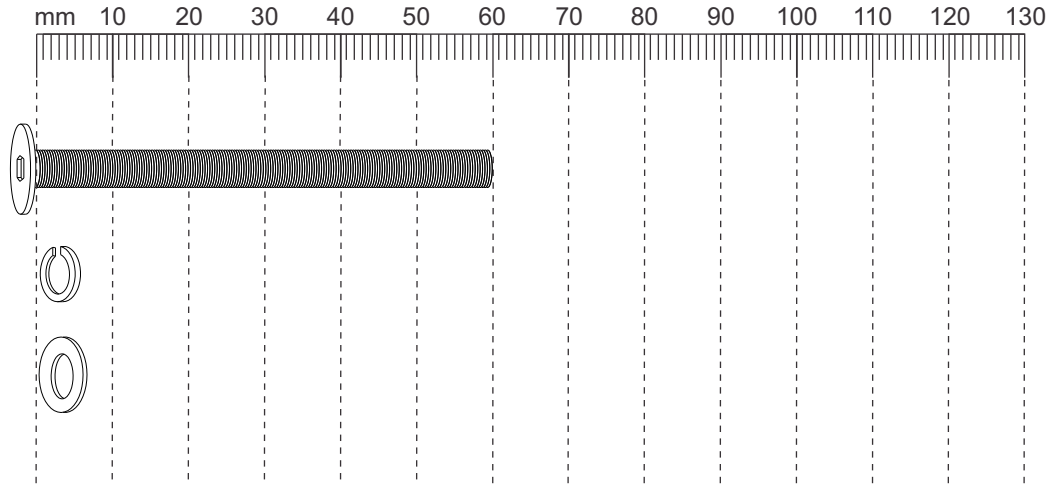


Components supplied. Please use this guide if you require replacement parts.

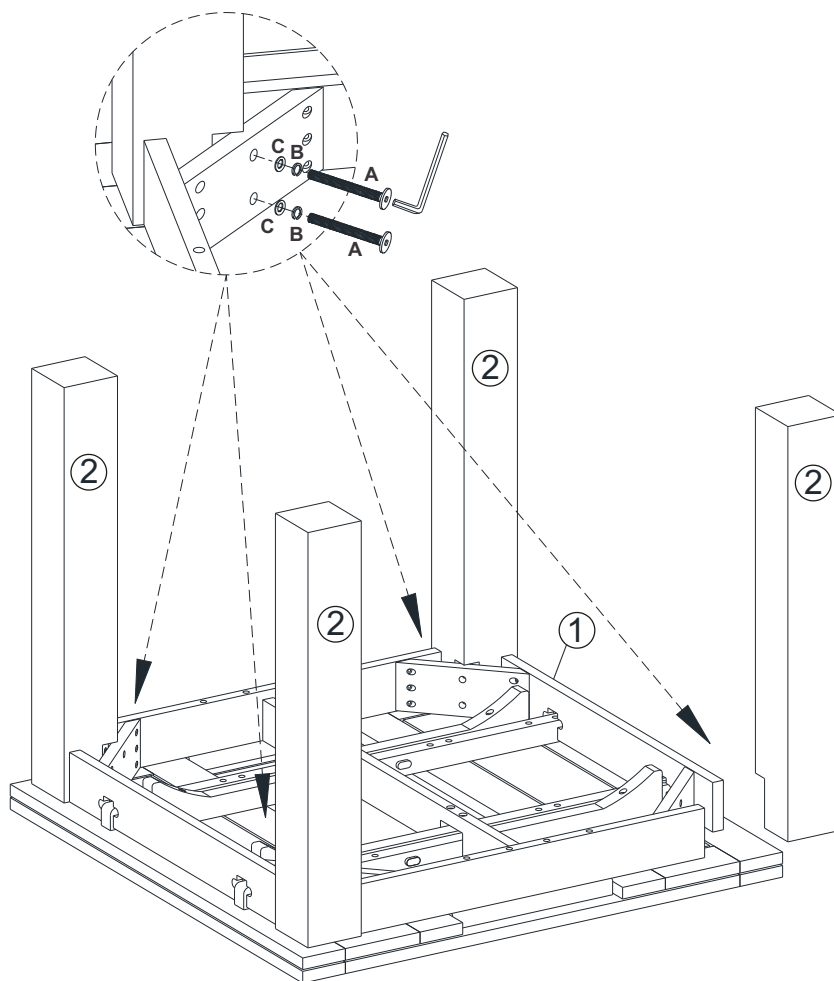
Ref	Dimensions	Visual	Qty	Ctn
1	90 x 90cm		1	1
2	10 x 71.3cm		4	2

Fixtures and fittings
supplied (actual size)

Ref	Dimensions	Qty
A	M8 x 60mm	8
B	M8	8
C	M8	8



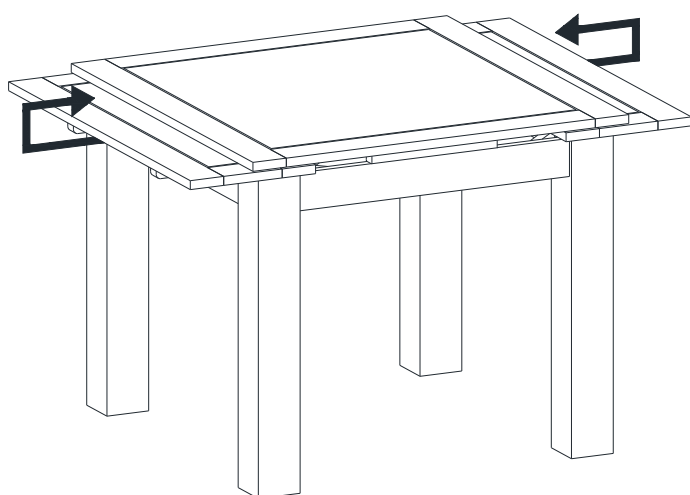
1



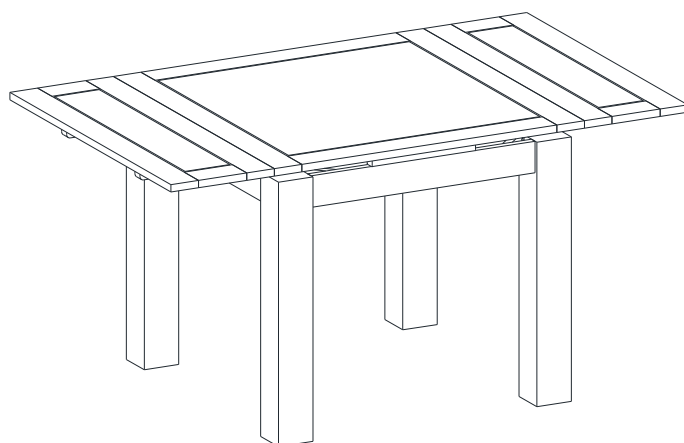
	M8x60 mm	M8	M8
	Ax8		
		Bx8	Cx8

2

Extending the table

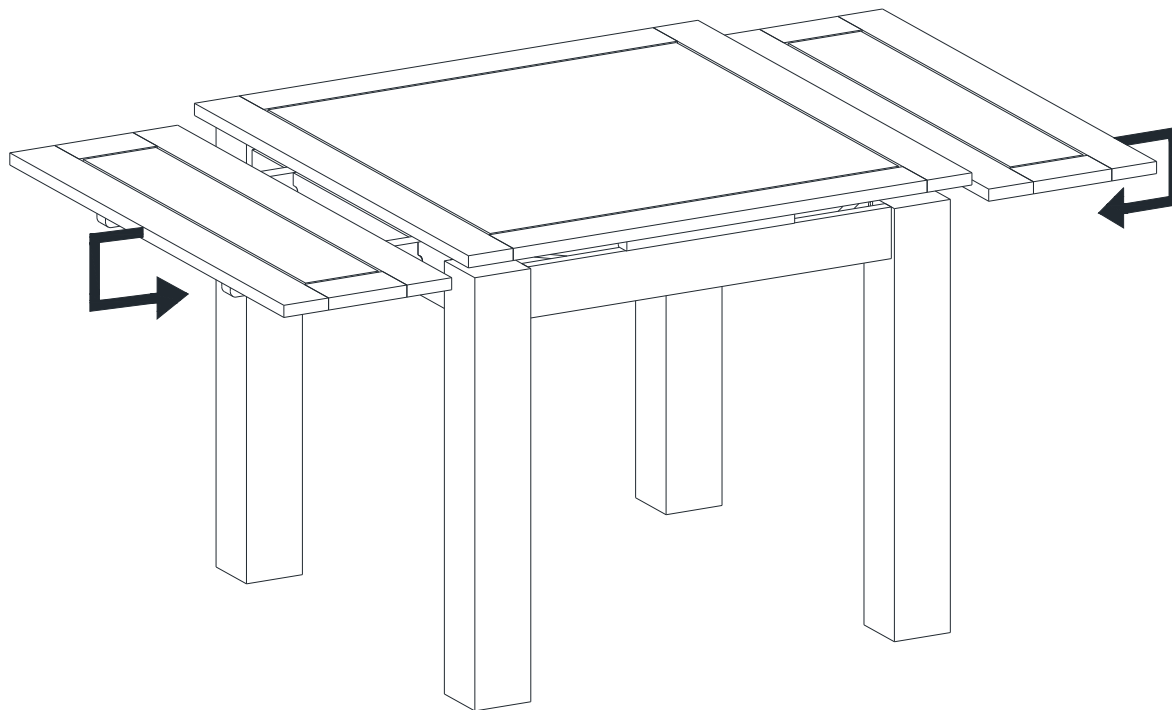


3



4

When leaf is not in use



5

