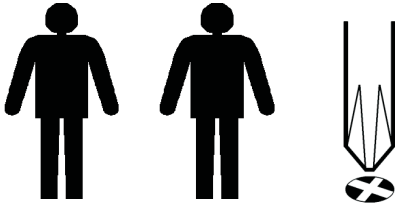
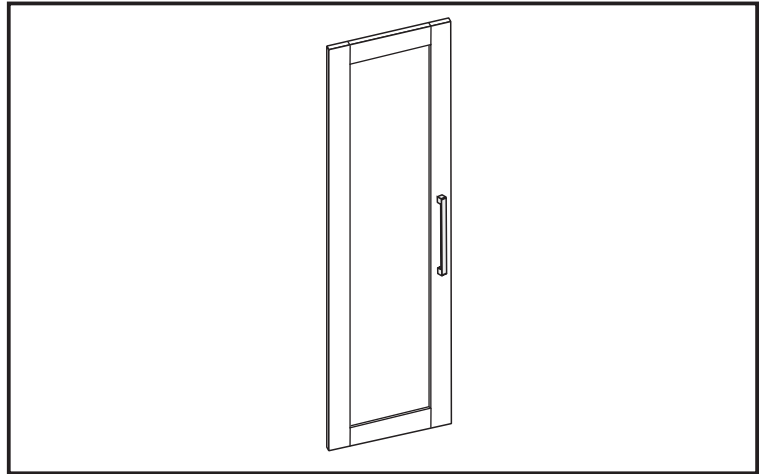


**ASSEMBLY INSTRUCTIONS.****IMPORTANT - RETAIN FOR FUTURE REFERENCE - READ CAREFULLY.****Tools Needed****Helpline**

If you have any problems with this product or require any replacement fittings please contact Customer Services Tel: 0333 777 8999



Regrettably self assembly items cannot be returned once assembly is part or fully completed unless the item is found to be faulty. Should you need to return the unassembled product, please repack in the original packaging.

**IMPORTANT**

- We suggest you spend a short time reading through this leaflet and then follow the simple step by step instructions.
- Carefully check that you have all parts before beginning assembly.
- Keep fittings out of children's reach and keep children well away from the construction area.
- We recommend that the packaging is used to protect the surfaces during assembly.
- A minimum of 2 persons is required to assemble this product.
- We recommend the use of the wall attachment bracket for safety reasons.

**PRODUCT INFORMATION**

- Made in Poland.

**CARE INSTRUCTIONS**

- For general cleaning, periodically dust with a soft cloth.
- Do not rub or scrub the surface when cleaning.
- Always use a non-silicone based furniture polish. Silicone in furniture polishes can break down the lacquer finish.
- Any spills should be removed immediately with a soft clean damp cloth and dried immediately.
- Avoid keeping furniture in direct sunlight or close to any heat sources as this can cause cracking, discolouration or warping.
- Never drag pieces of furniture across the floor as this will cause damage to the joints.
- All assembly fixings should always be tightened properly and periodically check all fixings and tighten if necessary.
- The finish will mellow and change colour over time.

# Assembly Instruction

## DESCRIPTION: MODULAR 673686 DOOR OAK SHAKER FRAME

**0.5 hrs**

APPROXIMATE ASSEMBLY TIME

1 PERSON ASSEMBLY

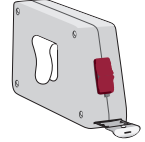
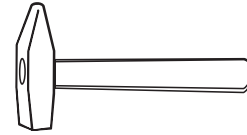
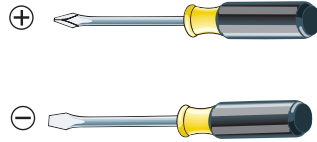


FLOOR AREA  
3.0 M x 1,0 M

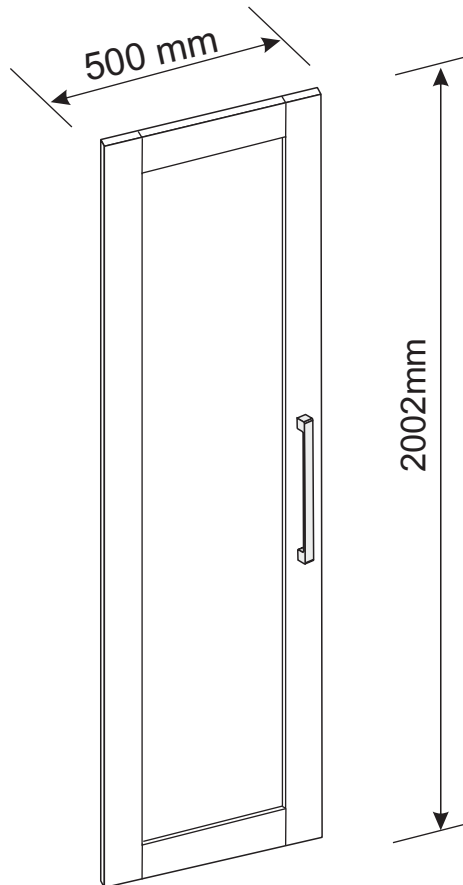


REQUIRED ASSEMBLY SPACE

REQUIRED ASSEMBLY TOOLS



ASSEMBLED DIMENSIONS

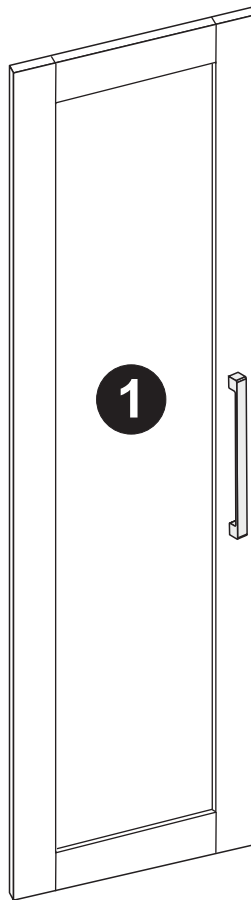


# Assembly Instruction

**DESCRIPTION:**  
**MODULAR**  
**673686 DOOR OAK SHAKER FRAME**

## PARTS LIST

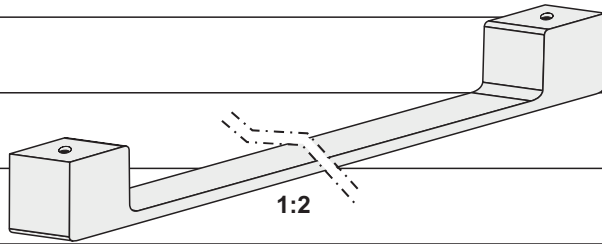
NO. PART LIST	QTY
(1) RIGHT/LEFT DOOR	1



# Assembly Instruction

## DESCRIPTION: MODULAR 673686 DOOR OAK SHAKER FRAME

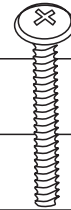
### HARDWARE LIST DO NOT MIX CONTENT OF HARDWARE BOXES



1x

**A**

HANDLE  
BAG 1

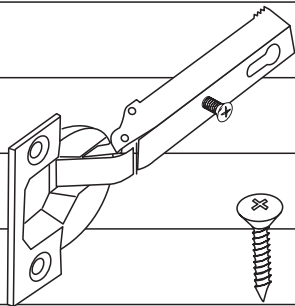


2x

4x25mm

**B**

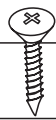
SCREW  
BAG 1



4x

**C**

HINGE  
BAG 2

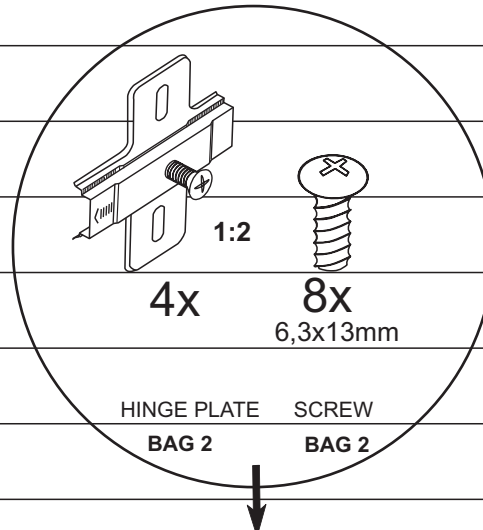


8x

4x13mm

**D**

SCREW  
BAG 2



4x

HINGE PLATE  
BAG 2



8x

6,3x13mm

**B**

SCREW  
BAG 2

**HINGES PLATE TO BE FIXED ON CARCASS.**

### Top Tips before you start!

1. Please check that all parts are present before you start the assembly of your furniture, as once assembled, the furniture is exempt from our home approval policy.
2. For ease and speed of assembly, we recommend that before you commence each step of the assembly, that you identify all the parts required for that step.
3. For larger items, please ensure that you have sufficient space and people ( as indicated on page 1) to assemble your product safely.
4. We recommend that, where possible, all items are assembled near to the area in which they will be placed in use, to avoid moving the product unnecessarily once assembled.
5. For the protection of your furniture, particularly items of high gloss finish, we recommend that the product is placed on a protected surface during assembly to prevent any damage.
6. During assembly please take care not to over-tighten any fittings, as this may damage the product .

### Care and Maintenance of your Furniture

Please periodically check all fittings and re-tighten as necessary.

Please do not jump on your furniture.

To clean your item, please use a damp cloth and wipe clean.

Never allow any kind of liquid to remain on your furniture. Absorption can cause wood to warp or finishes to de-laminate.

# Assembly Instruction

## DESCRIPTION: MODULAR 673686 DOOR OAK SHAKER FRAME

1

