

next

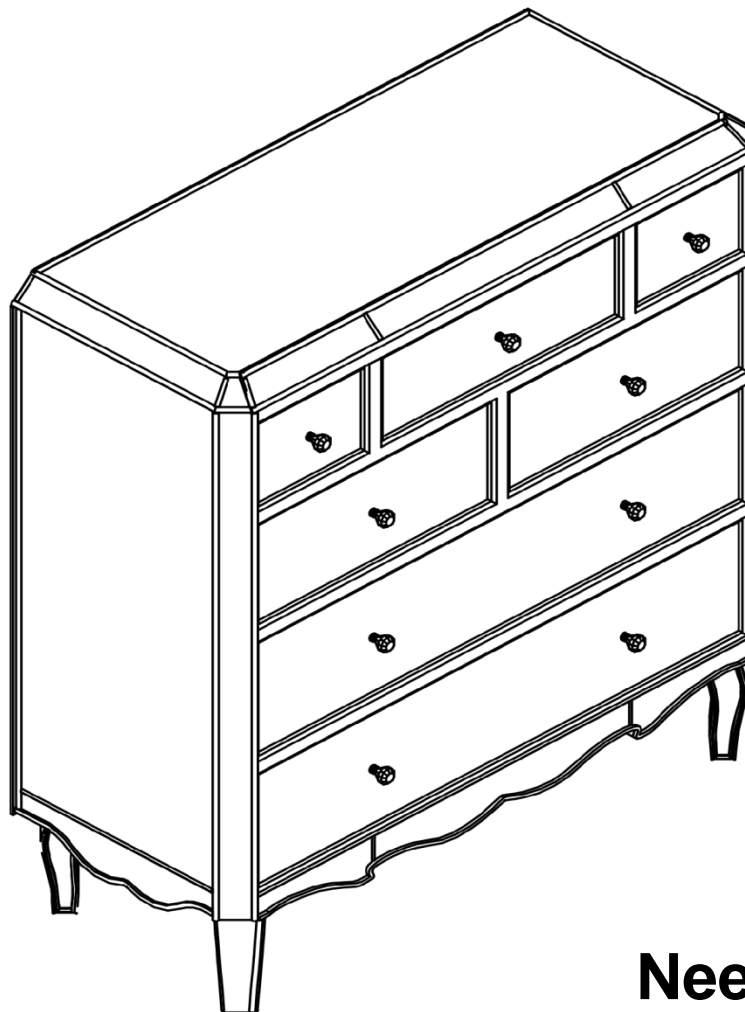
JULIETTE SILVER VINTAGE MULTI CHEST

674513

Assembly instructions

**Actual product size**

H113 x W103 x D42cm



**Need Help?**

With: Assembly instructions  
Missing or damaged parts

**CALL:0333 777 8999**

**IMPORTANT- RETAIN FOR FUTURE REFERENCE**

## BEFORE YOU START

### Warnings

We suggest you retain these instructions for future reference  
Keep fittings out of children's reach and keep children well away from construction area

This product should only be used on firm, level ground  
Please periodically check all fittings and re-tighten as necessary  
Please do not sit or stand on your furniture  
Avoid exposing the furniture to excessive heat or direct sunlight as this can cause deterioration of the colour

Unwrap all packaging material and place the components on top of the carton box or on a clean floor to protect it from damage

### Do's

We suggest you spend a short time reading through this leaflet before you start.

When you are ready to start, make sure that you have the right tools and plenty of space

Unwrap all packaging materials and place the components on a clean surface to protect it from damage

We recommend that the packaging is used to protect the surfaces during assembly

Carefully check that you have all the parts before beginning assembly

Due to the size of the product we recommend that it is assembled in the room intended for use

Ensure the product is fully assembled as illustrated and all fixings fully tightened before use

Wipe occasionally with a soft cloth slightly dampened with water. Then buff with a dry clean soft cloth

Wood will mellow and change colour over time, We recommend that ornaments and items placed on the surface are moved regularly for the first few months to prevent uneven mellowing.

If the glass is chipped or broken, stop using the product and consult the supplier

When cleaning glass panels use a damp cloth with washing up liquid or soft soap if necessary. Do not use washing powders or any other substances containing abrasives since these substances scratch glass panel

### Don'ts

Do not drag or pull your furniture

Do not use silicone based furniture polish. Silicone in furniture polishes can break down the finish

Never allow any kind of liquid to remain on your furniture.

Absorption can cause wood to warp or finishes to de-laminate

Do not place hot items(e.g. hot drinks) directly on to the wood surface. Please make sure you use a placement or coaster

Do not place very hot or very cold items on the glass surface,

Unless adequately thick table mats or coasters are used to prevent such items from coming into contact with the glass

Do not use glass as a chopping surface, Do not strike the glass with hard or pointed items

### PRODUCT SUPPLIED WITH WALL FIXING STRAPS

### Number of people required to assemble

1 person to assembly

### Time to assemble



30 minutes

### Tools required



not supplied



not supplied

### Missing parts

If you are missing any fixtures and fittings for your product please contact our customer service team on **0333 777 8999** and they will be happy to arrange for a replacement to be sent to you free of charge.

### Home service technicians

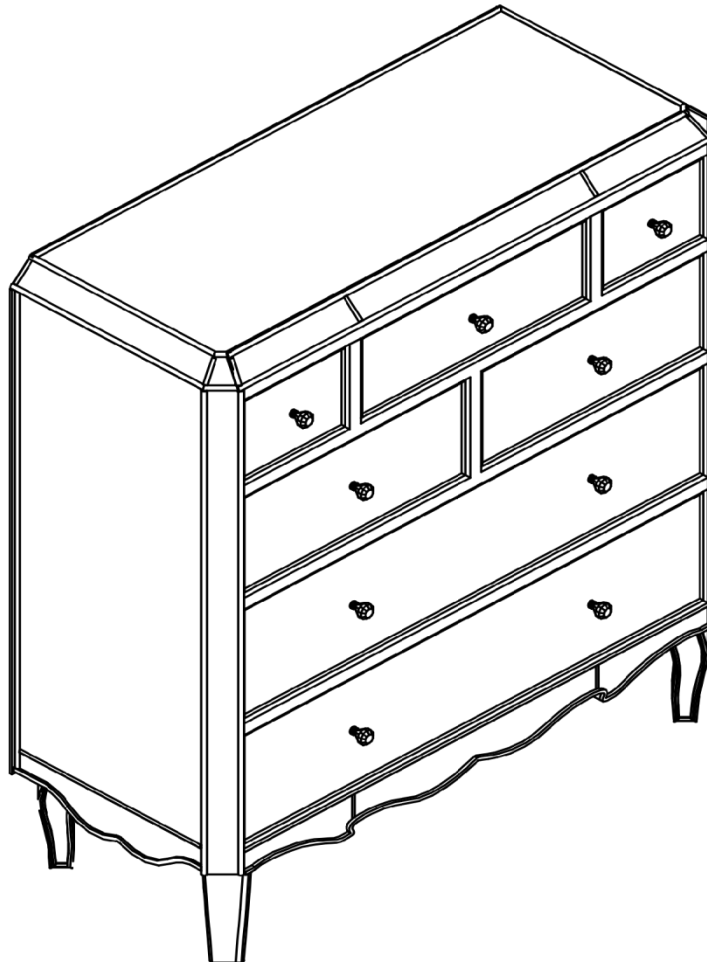
If you have a fault with your product please contact our customer service team on **0333 777 8999**. If you have had the product for 28 days or less you may be offered a replacement, refund or for a fully trained home service technician to visit your home to assess the fault and repair the product where possible. If you have had the product for more than 28 days we will send an independent home service technician to review and repair the product where possible and recommend further action.

### You can write to us at


Home Customer Services  
Next Retail Ltd,  
Desford Road,  
Leicester,  
LE19 4AT

To view our full furniture range please visit [www.next.co.uk](http://www.next.co.uk)

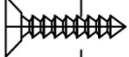
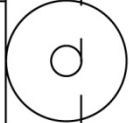
## GETTING TO KNOW YOUR PRODUCT



### Fixture and Fittings supplied (not to scale)

Ref	Dimensions	visual	Qty
A	220x20mm		2

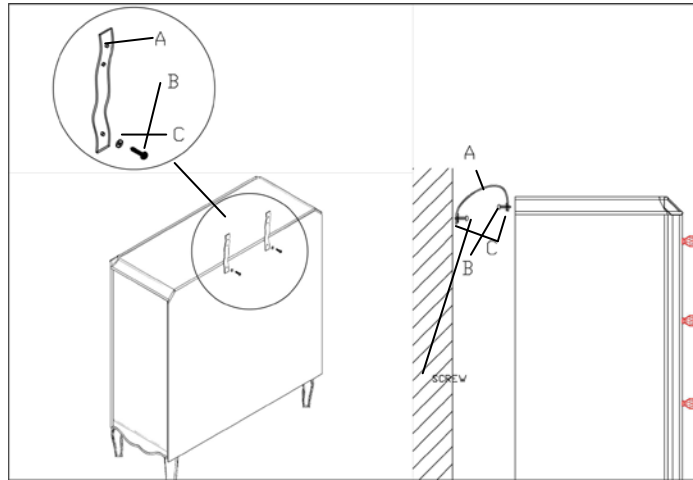
## Fixture and Fittings supplied (actual size)





REF	DIMENSIONS	QTY	SPARE PART *	mm
B	8X16MM	2	1	
C	16X1MM	4	1	

\* Just to let you know we have included a small quantity of fixings in case of mishap, so don't worry if you've got a few left when you've finished.

1

We recommend the use of the wall strap provided for safety reasons. Wall fixing are not included please source suitable fixing for your wall type. If in doubt, please consult a qualified tradesperson. **WARNING:** Always ensure the wall to be drilled is free from hidden electrical wires, water and gas pipes.



	8X16MM B X 2 	16X1MM C X 4 	220X20MM A X 2 
---	--	--	--

next

JULIETTE SILVER VINTAGE MULTI CHEST  
674513

**Actual product size**  
H113 x W103 x D42cm

