

next

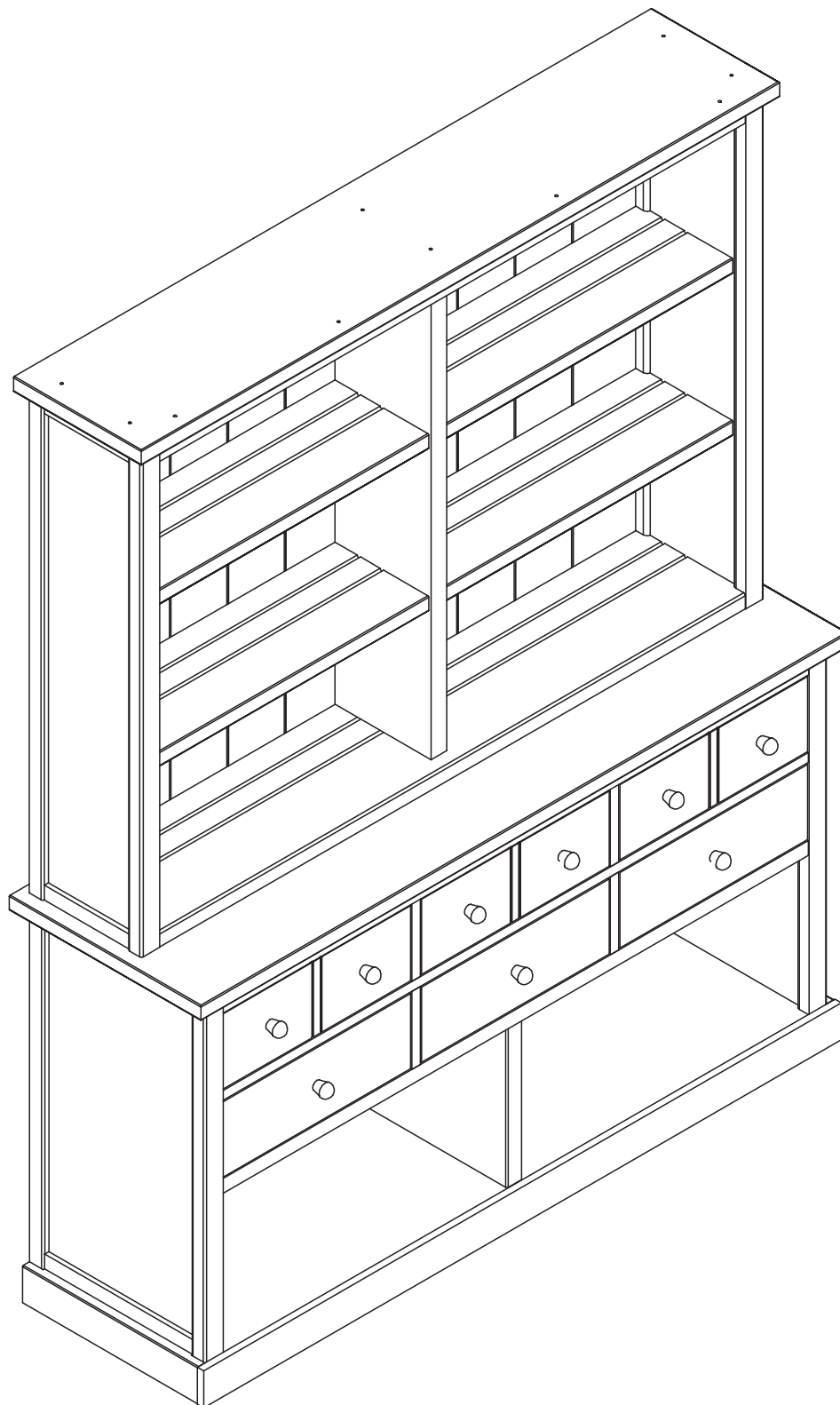
# Hartford Painted Dresser

679992

Assembly instructions

**Actual product size**

H187,5 x W152 x D45cm



**IMPORTANT - RETAIN FOR FUTURE REFERENCE**

**Need Help?**

With: Assembly instructions  
Missing or damaged parts

**CALL: 0333 777 8999**

## BEFORE YOU START

### Warnings

We suggest you retain these instructions for future reference.

Keep fittings out of children's reach and keep children well away from the construction area.

This product should only be used on firm, level ground.

Please periodically check all fittings and re-tighten as necessary.

Please do not sit or stand on your furniture.

Avoid exposing the furniture to excessive heat or direct sunlight as this can cause deterioration of the colour.

Unwrap all packaging materials and place the components on top of the carton box or on a clean floor to protect it from damage.

### Do's

We suggest you spend a short time reading through this leaflet before you start.

When you are ready to start, make sure that you have the right tools and plenty of space.

Unwrap all packaging materials and place the components on a clean surface to protect it from damage.

We recommend that the packaging is used to protect the surfaces during assembly.

Carefully check that you have all the parts before beginning assembly

Due to the size of the product we recommend that it is assembled in the room intended for use.

Ensure the product is fully assembled as illustrated and all fixings are fully tightened before use.

Wipe occasionally with a soft cloth slightly dampened with water. Then buff with a dry clean soft cloth.

Wood will mellow and change colour over time, we recommend that ornaments and items placed on the surface are moved regularly for the first few months to prevent uneven mellowing.

### Don'ts

Do not drag or pull your furniture.

Do not use silicone based furniture polish. Silicone in furniture polishes can break down the finish.

Never allow any kind of liquid to remain on your furniture.

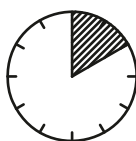
Absorption can cause wood to warp or finishes to de-laminate.

Do not place hot items (e.g. hot drinks) directly on to the wood surface. Please make sure you use a placemats or coaster.

### Number of people required to assemble

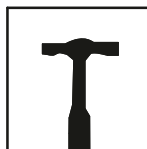
Two persons are required to assemble this item.

### Time to assemble

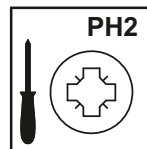


160min

### Tools required



not supplied



not supplied

### Missing parts

If you are missing any fixtures and fittings for your product please contact our customer service team on 0333 777 8999 and they will be happy to arrange for a replacement to be sent to you free of charge.

### Home service technicians

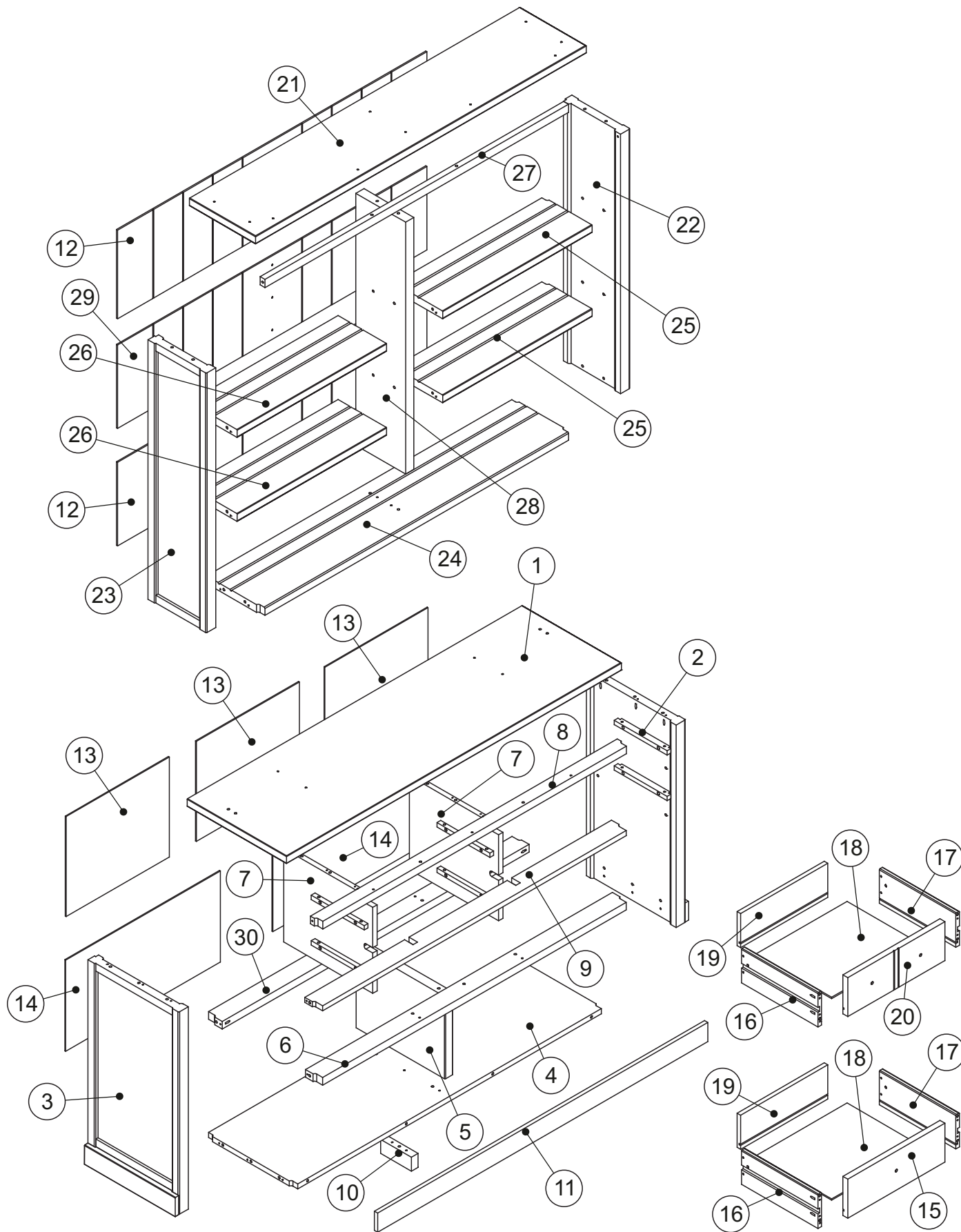
If you have a fault with your product please contact our customer service team on 0333 777 8999. If you have had the product for 28 days or less you may be offered a replacement, refund or for a fully trained home service technician to visit your home to assess the fault and repair the product where possible. If you have had the product for more than 28 days we will send an independant home service technician to review and repair the product where possible and recommend further action.

### You can write to us at

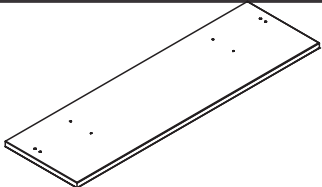
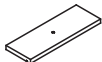
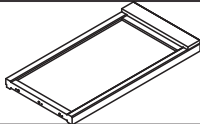

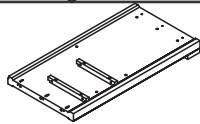

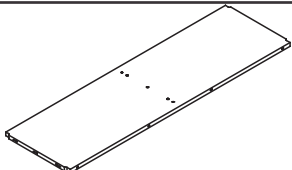
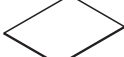
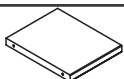

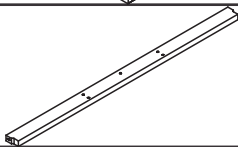

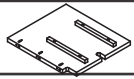
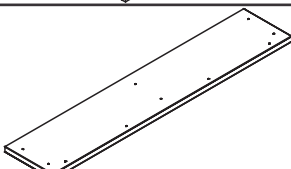
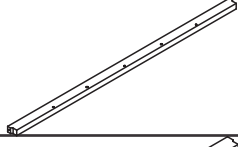
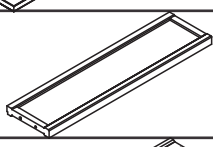
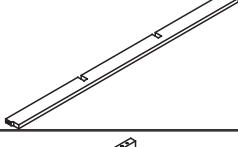
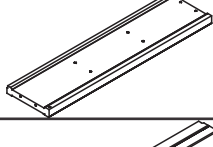


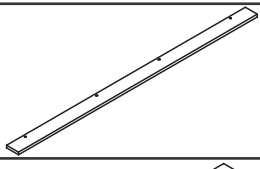

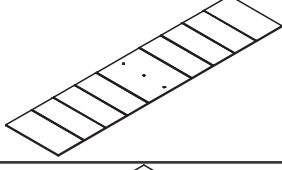

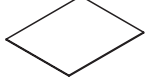
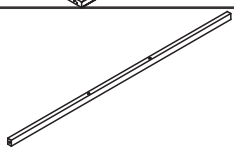
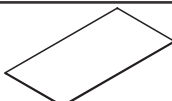
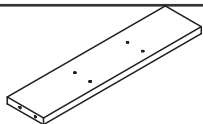
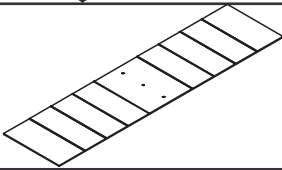
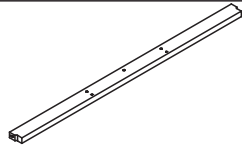
Home Customer Services  
Next Retail Ltd,  
Desford Road,  
Leicester,  
LE19 4AT

To View our full furniture range please visit [www.next.co.uk](http://www.next.co.uk)

# GETTING TO KNOW YOUR PRODUCT



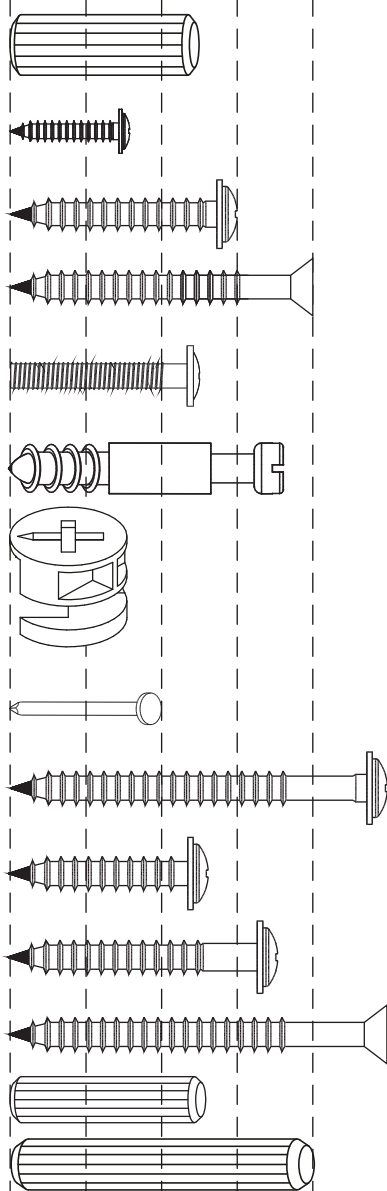
Components supplied. Please use this guide if you require replacement parts.

Ref	Dimensions	Visual	Qty	Ctn	Ref	Dimensions	Visual	Qty	Ctn
1	152 x 45cm		1	1	15	44 x 15,3cm		3	3
2	79,5 x 41,2cm		1	3	16	34,7 x 13,4cm		6	3
3	79,5 x 41,2cm		1	3	17	34,7 x 13,4cm		6	3
4	139,5 x 40,5cm		1	1	18	40,9 x 34,2cm		6	3
5	32,4 x 40,3cm		1	3	19	39,5 x 13,4cm		6	2
6	139,5 x 7cm		1	1	20	44 x 15,3cm		3	3
7	36,8 x 40,4cm		2	3	21	150 x 30cm		1	1
8	139,5 x 5cm		1	1	22	102 x 26,4cm		1	2
9	139,5 x 7cm		1	1	23	102 x 26,4cm		1	2
10	14 x 5,5cm		1	3	24	139,5 x 25,7cm		1	2
11	149,5 x 7,5cm		1	1	25	67,9 x 22cm		2	2
12	32,8 x 140,5cm		2	1	26	67,9 x 22cm		2	2
13	39,3 x 46,8cm		3	1	27	138 x 3,2cm		1	2
14	35,8 x 70,2cm		2	1	28	99 x 22,6cm		1	2
					29	34,8 x 140,5cm		1	1
					30	139,5 x 7cm		1	1

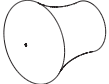

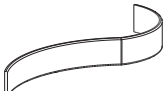
**Fixtures and fittings supplied (actual size)**

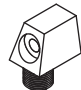

mm 10 20 30 40 50 60 70 80 90 100 110 120 130

Re	Dimension	Qty
B	8 x 25mm	93
D	3,5 x 16mm	11
E	4 x 30mm	94
F	4 x 40mm	5
G	M4 x 22mm	9
H	6 x 35mm	2
I	ø15mm	2
V	8 x 8mm	144
X	4 x 50mm	6
Y	4,0 x 25mm	5
Z	4,0 x 35mm	3
W	4,0 x 50mm	14
AH	6 x 25mm	24
AL	8 x 40mm	4

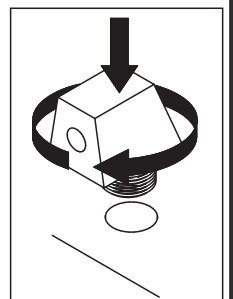
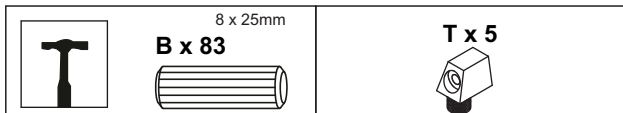
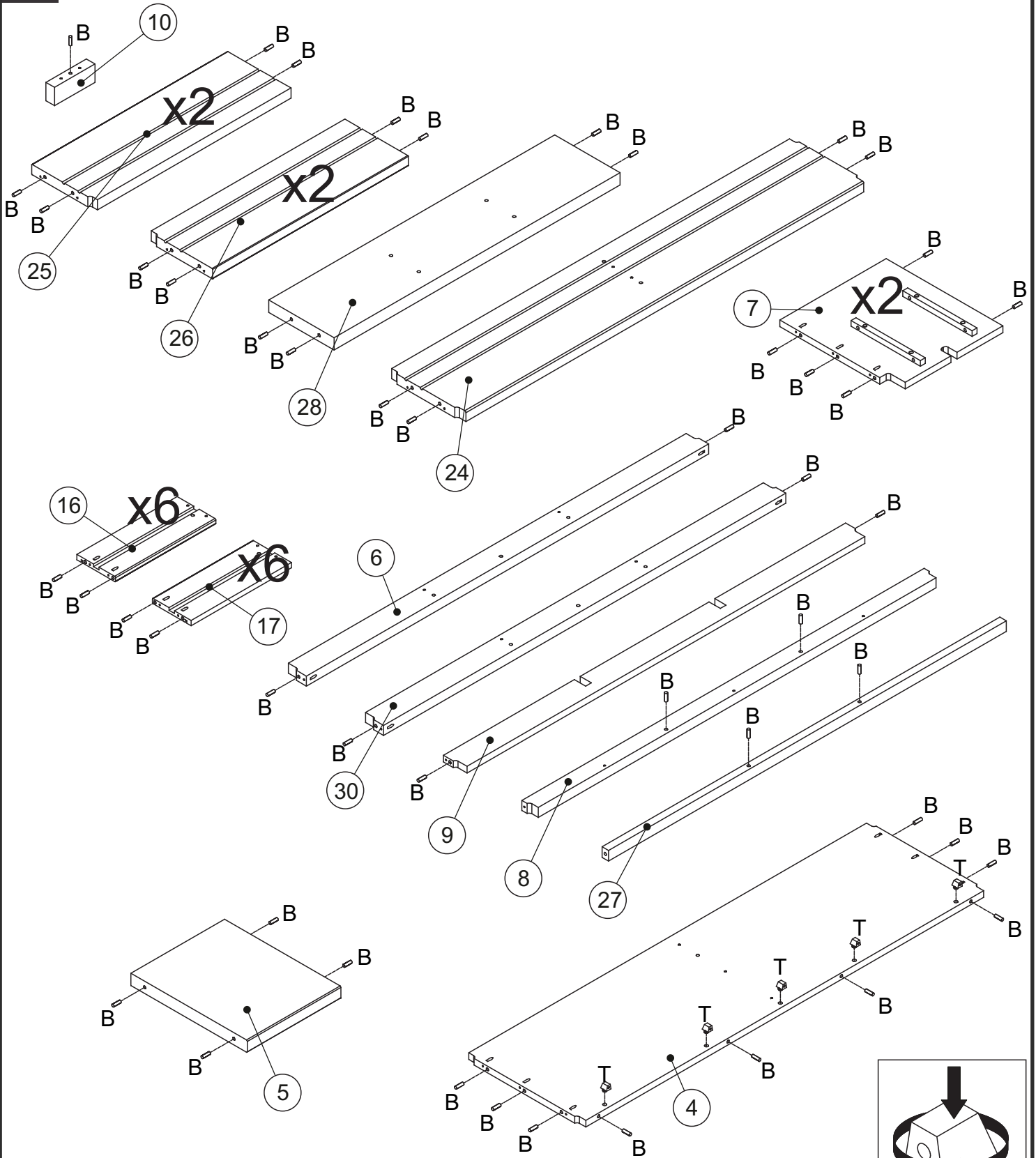


**Fixtures and fittings supplied (not to scale)**

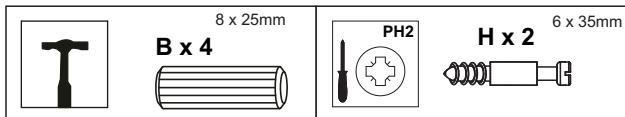
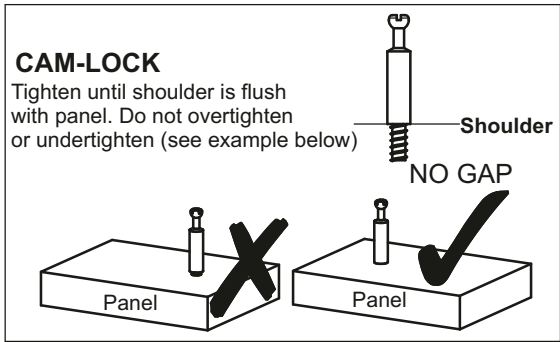
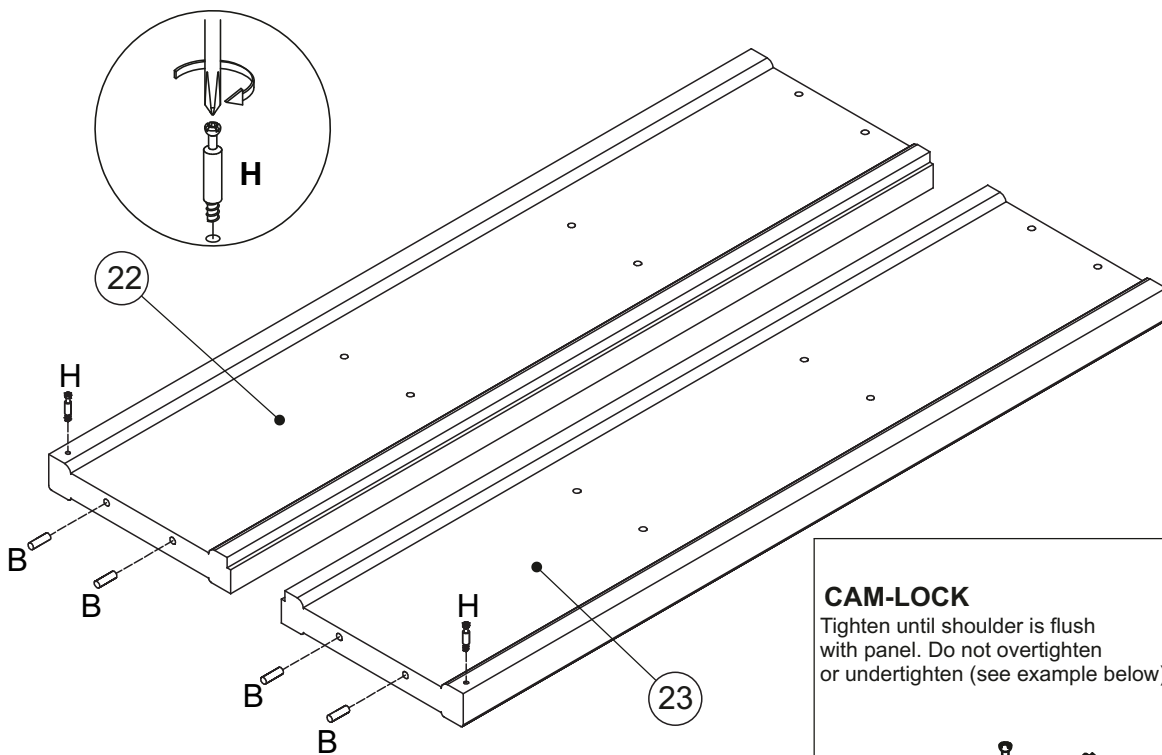
Ref	Dimensions	Visual	Qty
P	N/A		9
R	N/A	 (+ 2 spare parts)	2
S	N/A		2

Ref	Dimensions	Visual	Qty
T	N/A		5
U	N/A		4

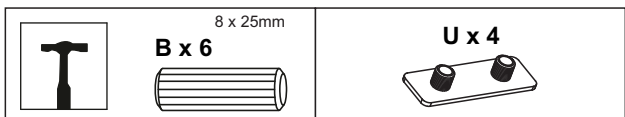
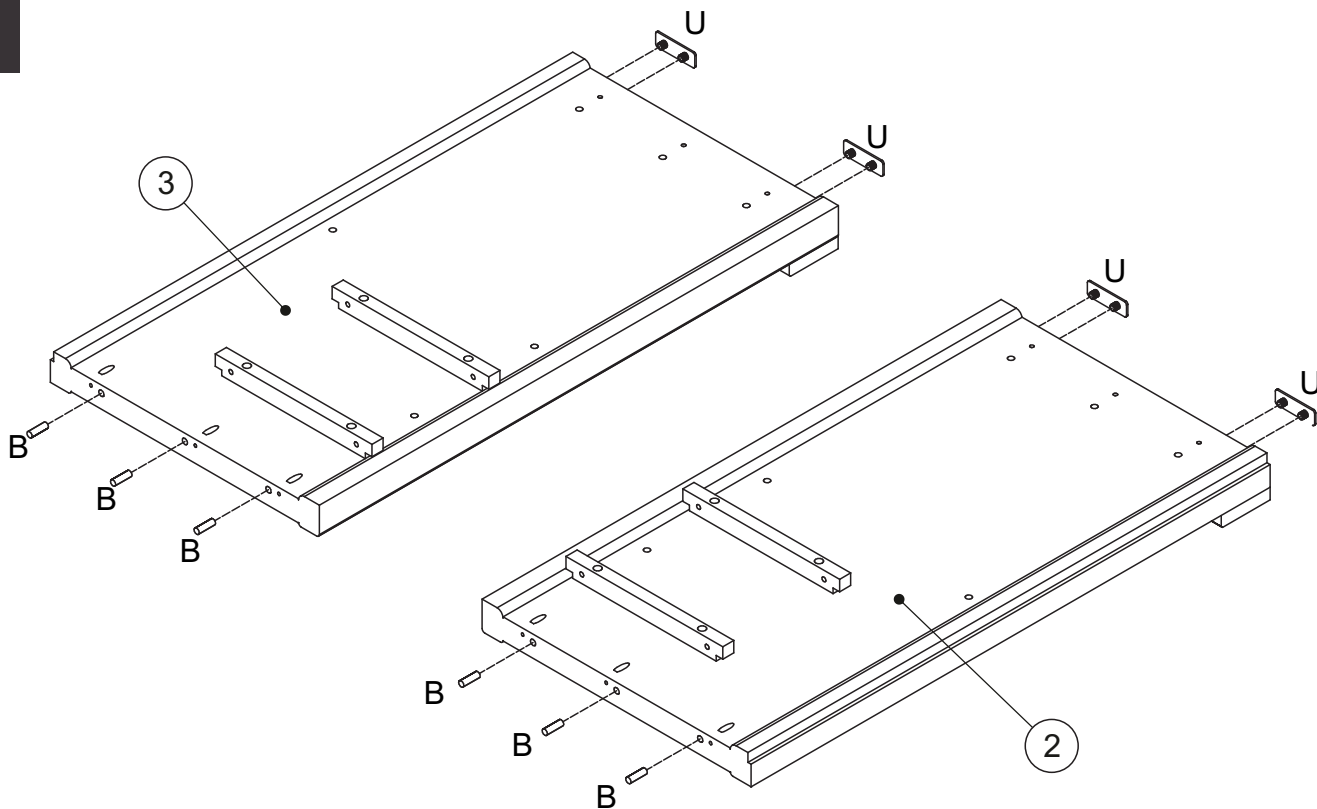
1



2

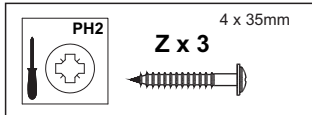
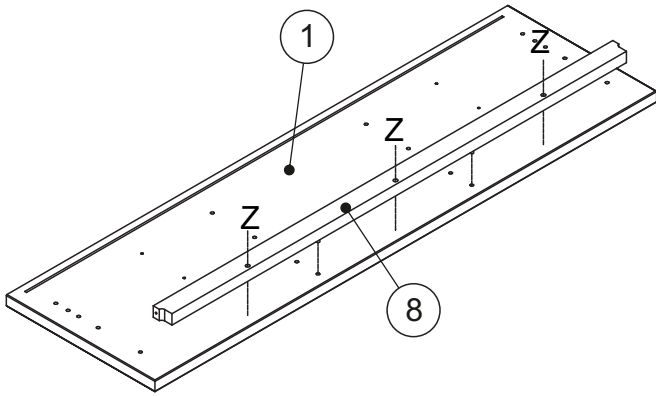


3

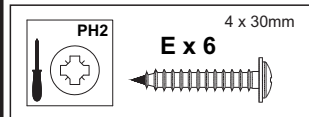
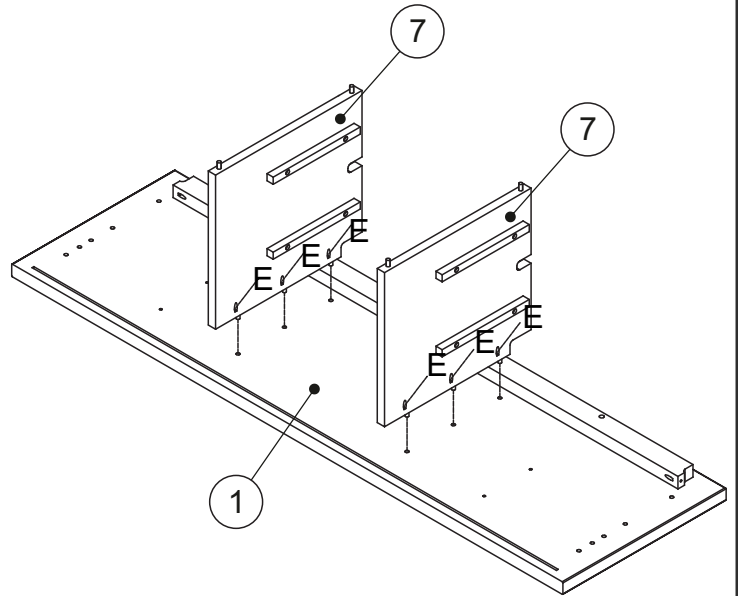




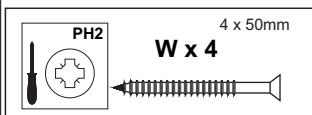
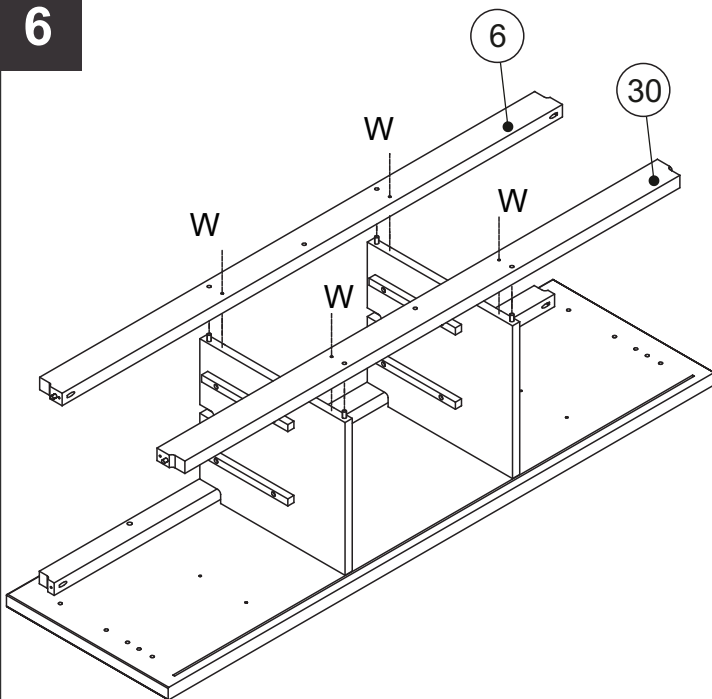
4



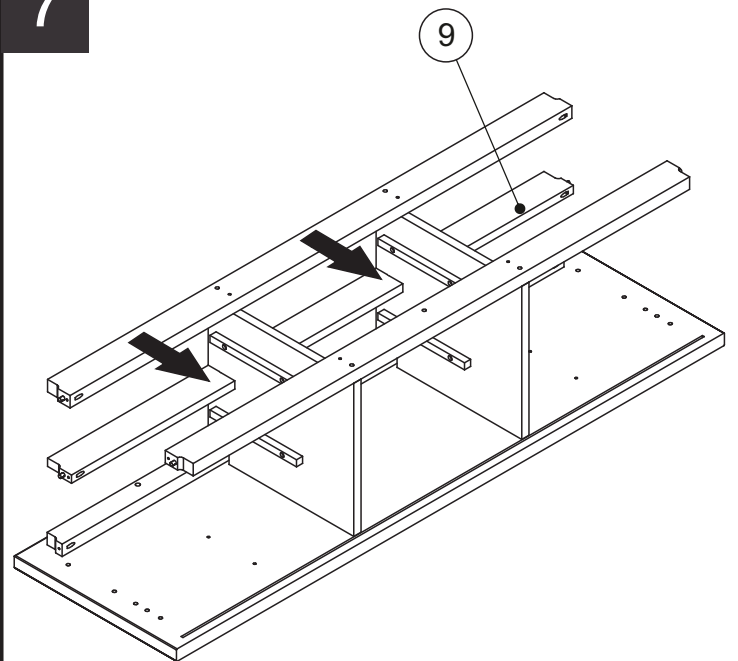
5



6

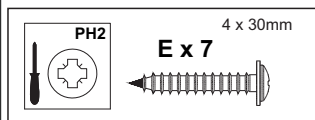
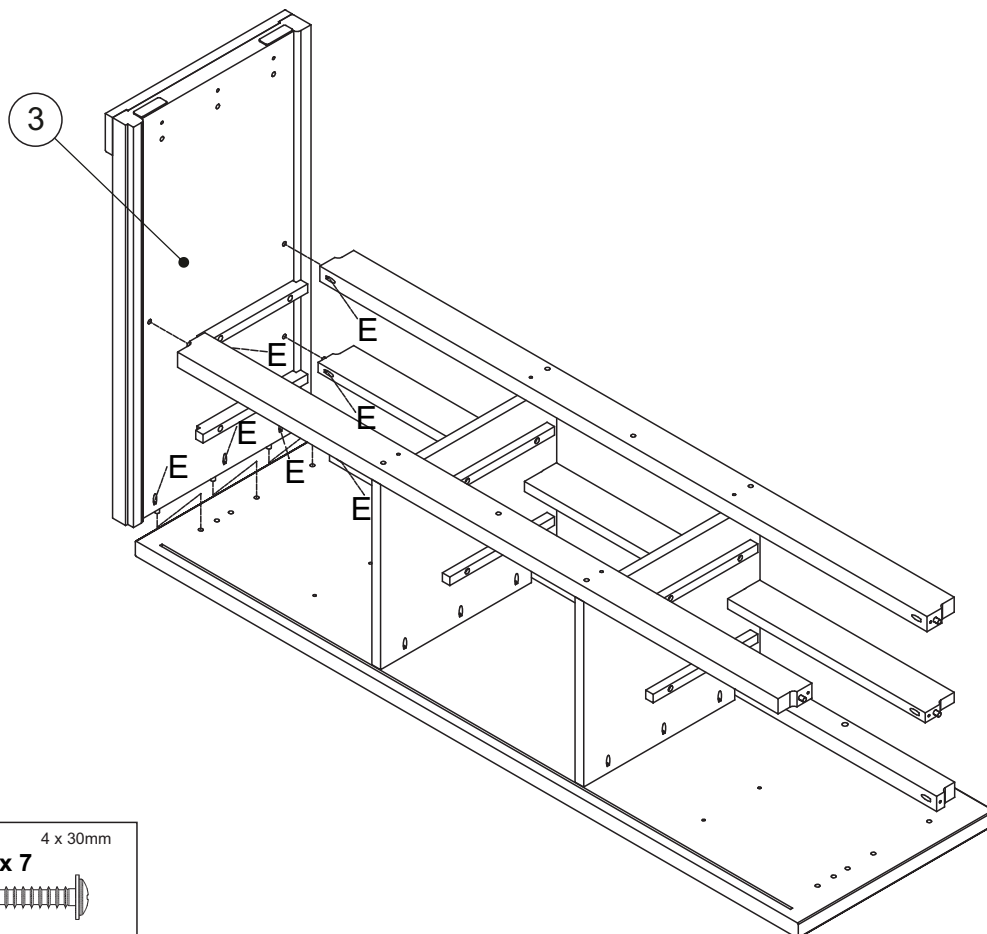


7

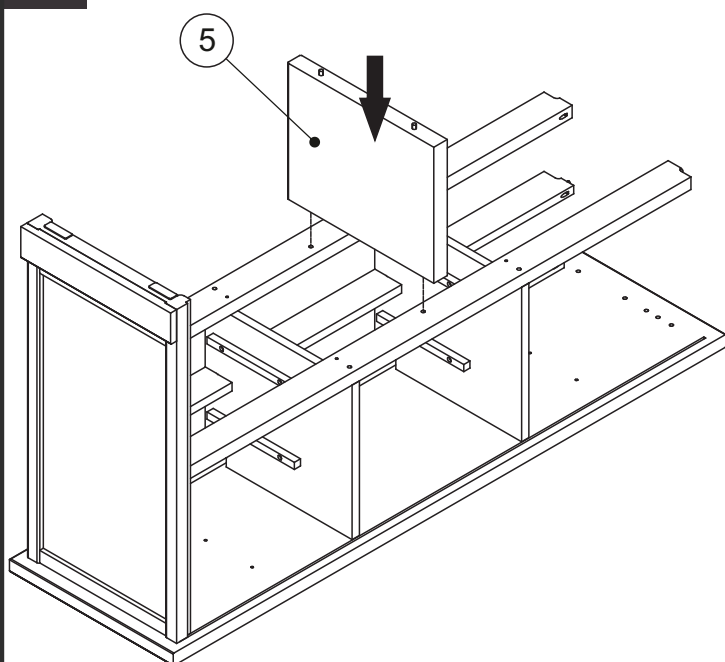




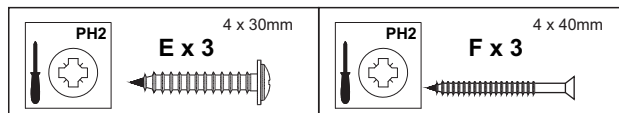
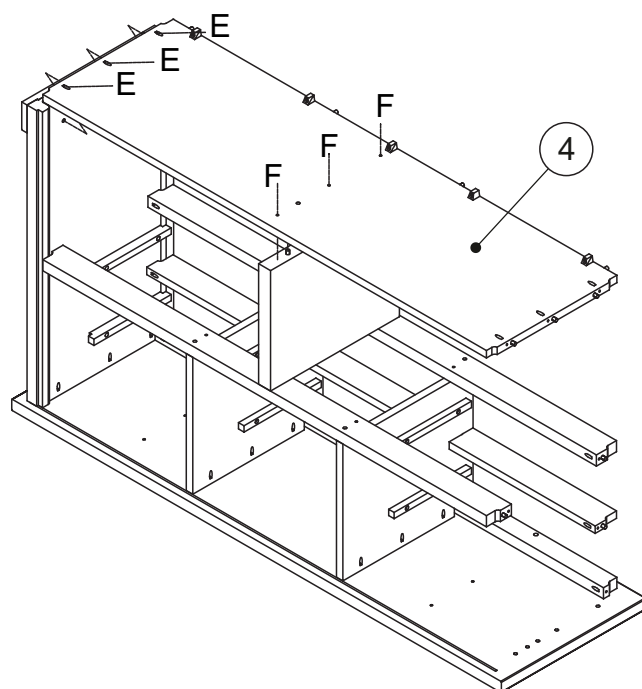
8



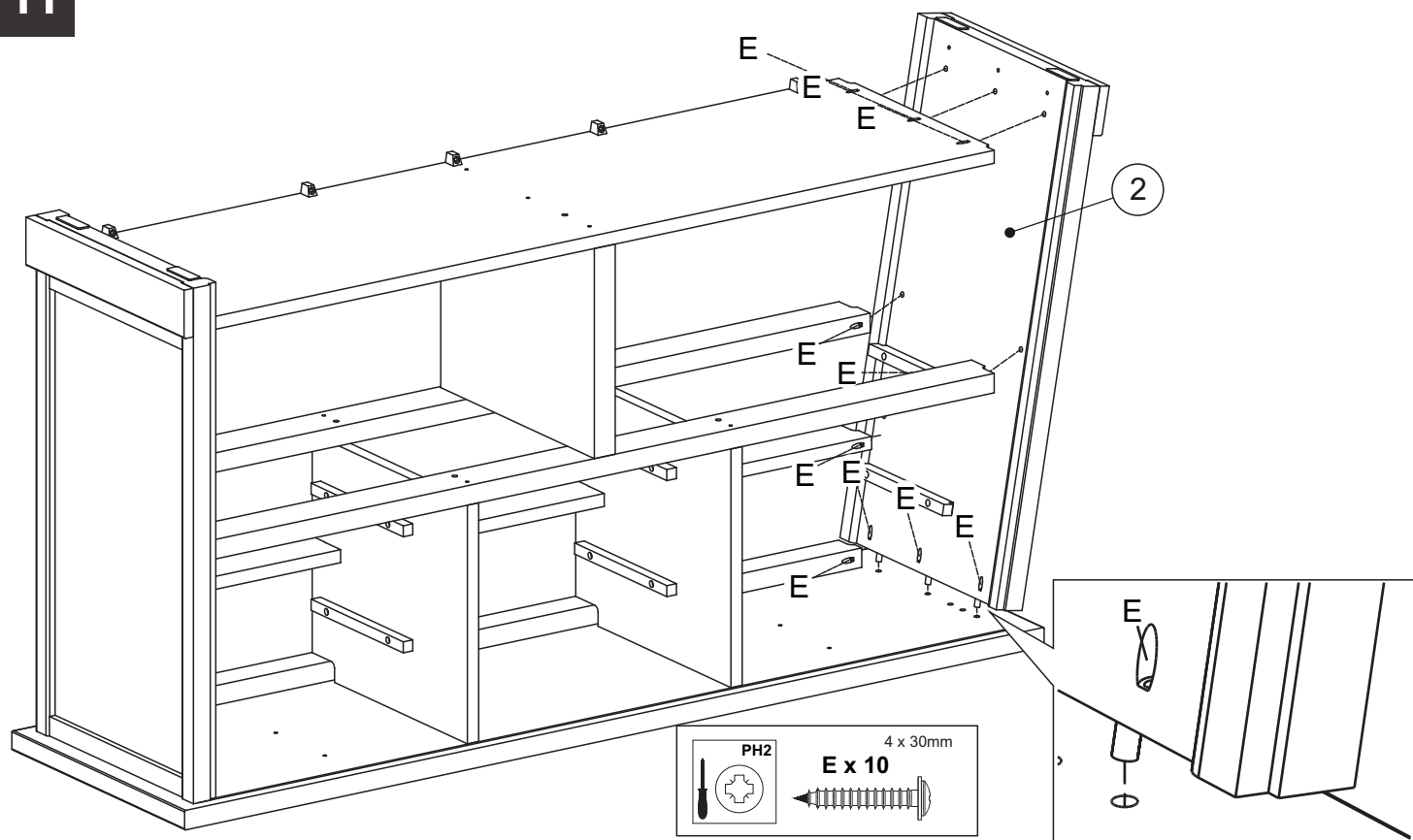
9



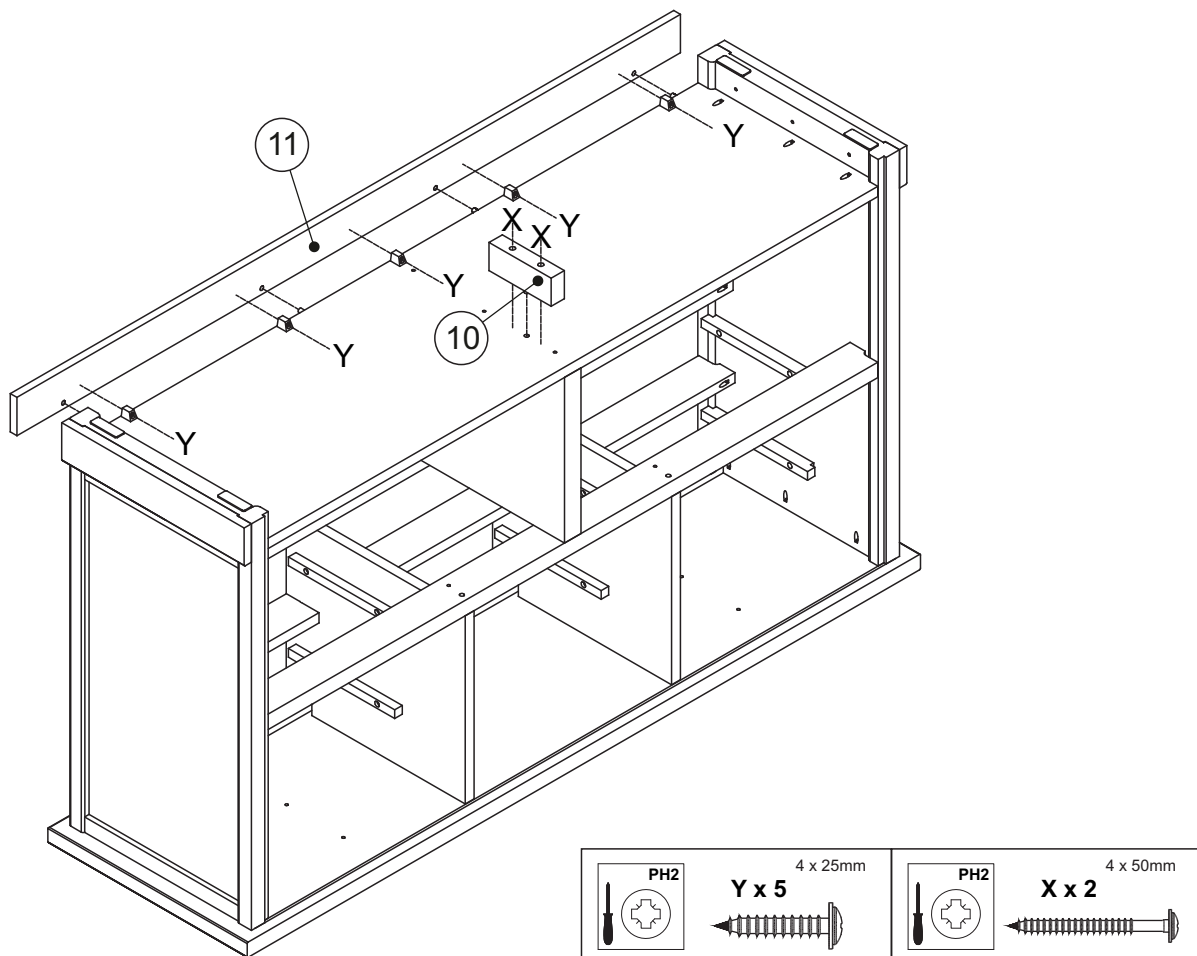
10



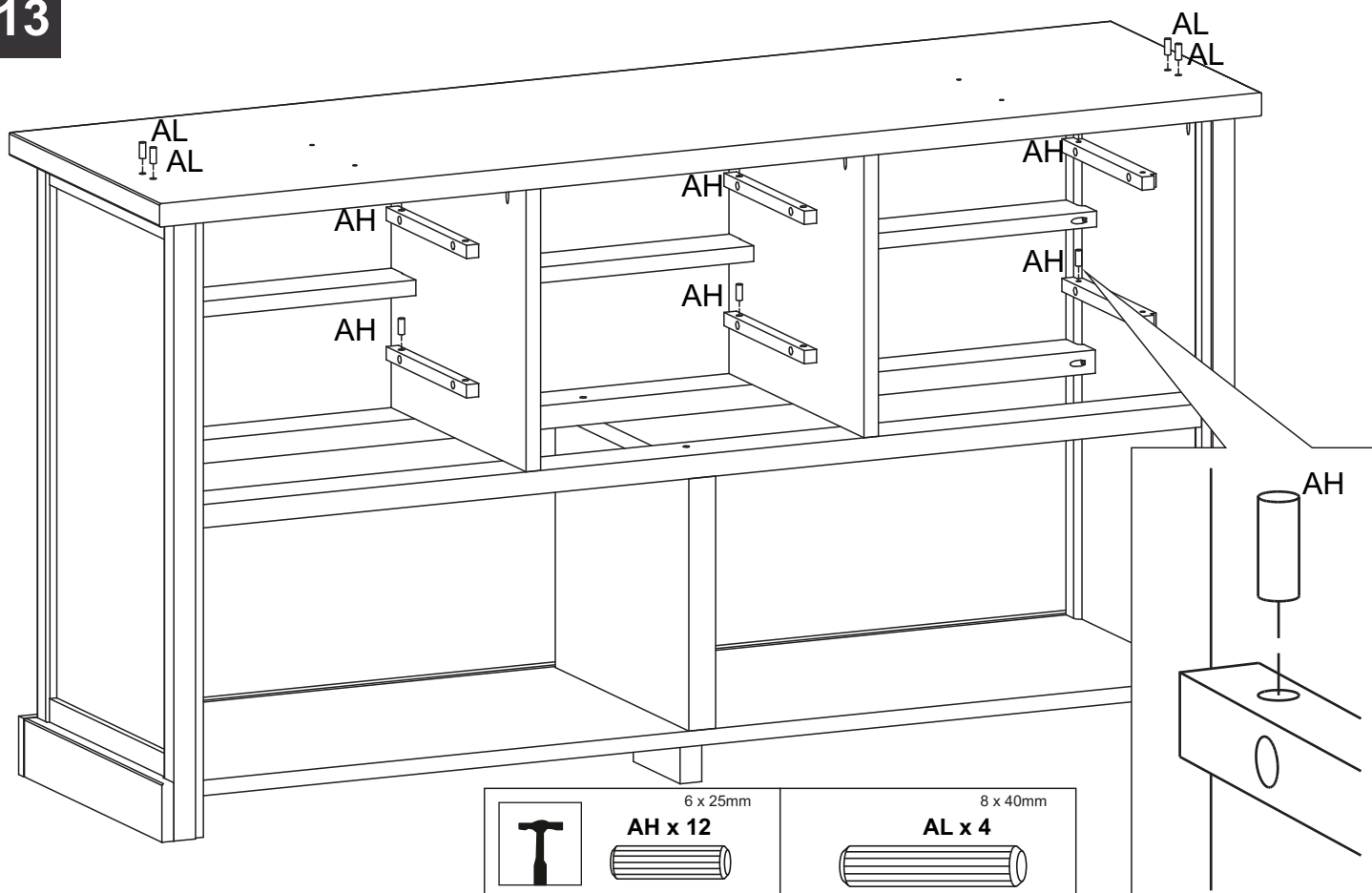
11



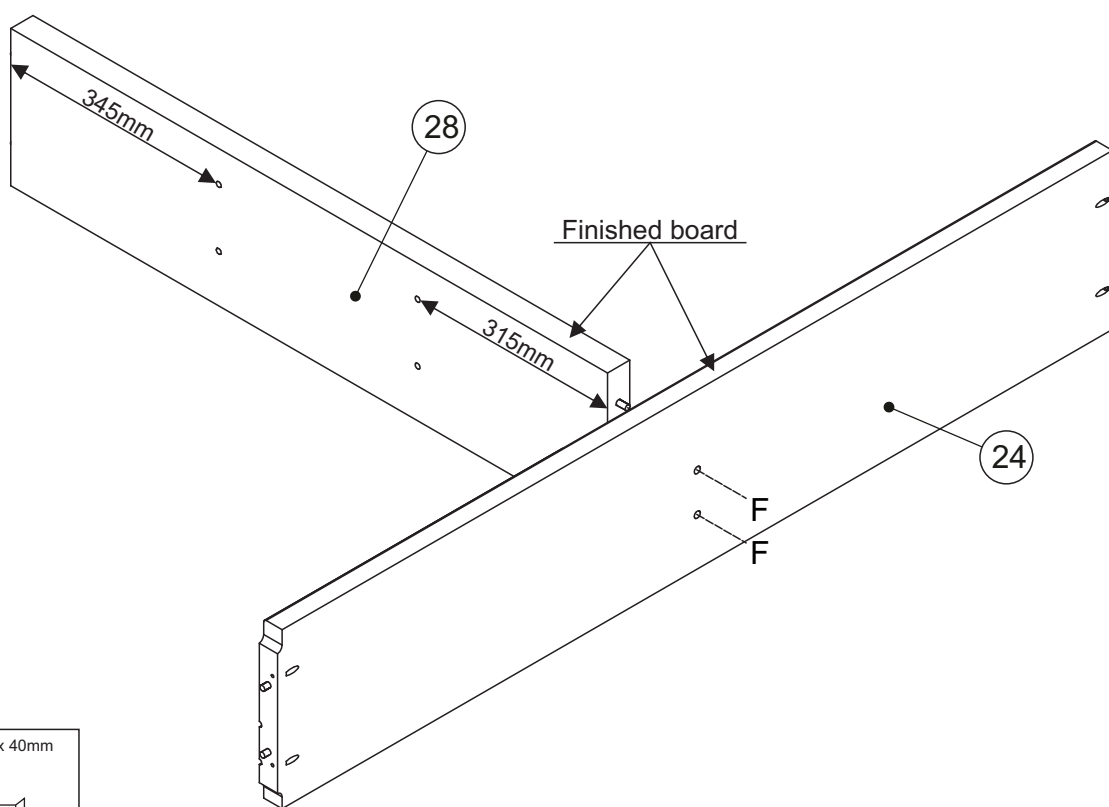
12



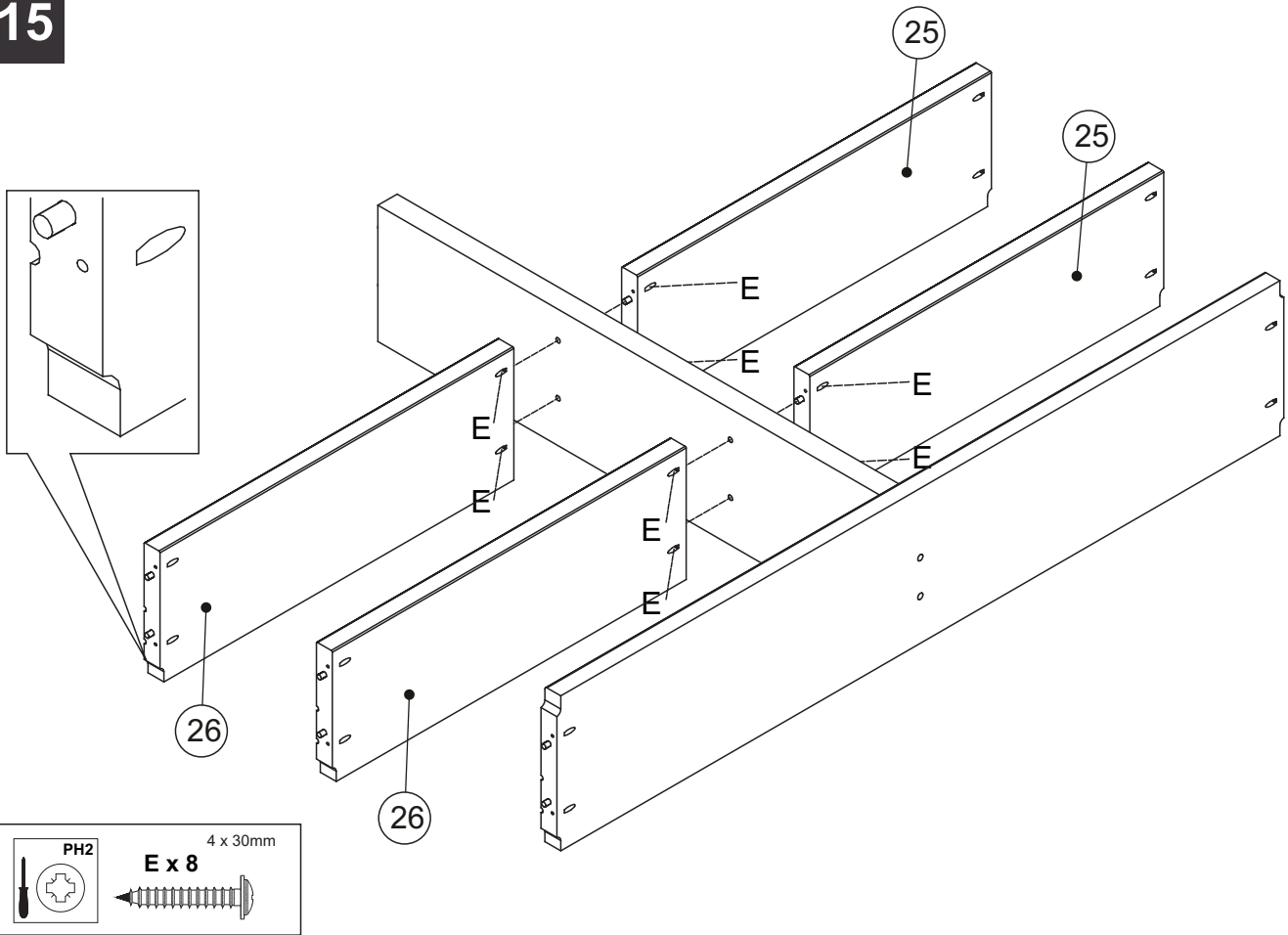
13



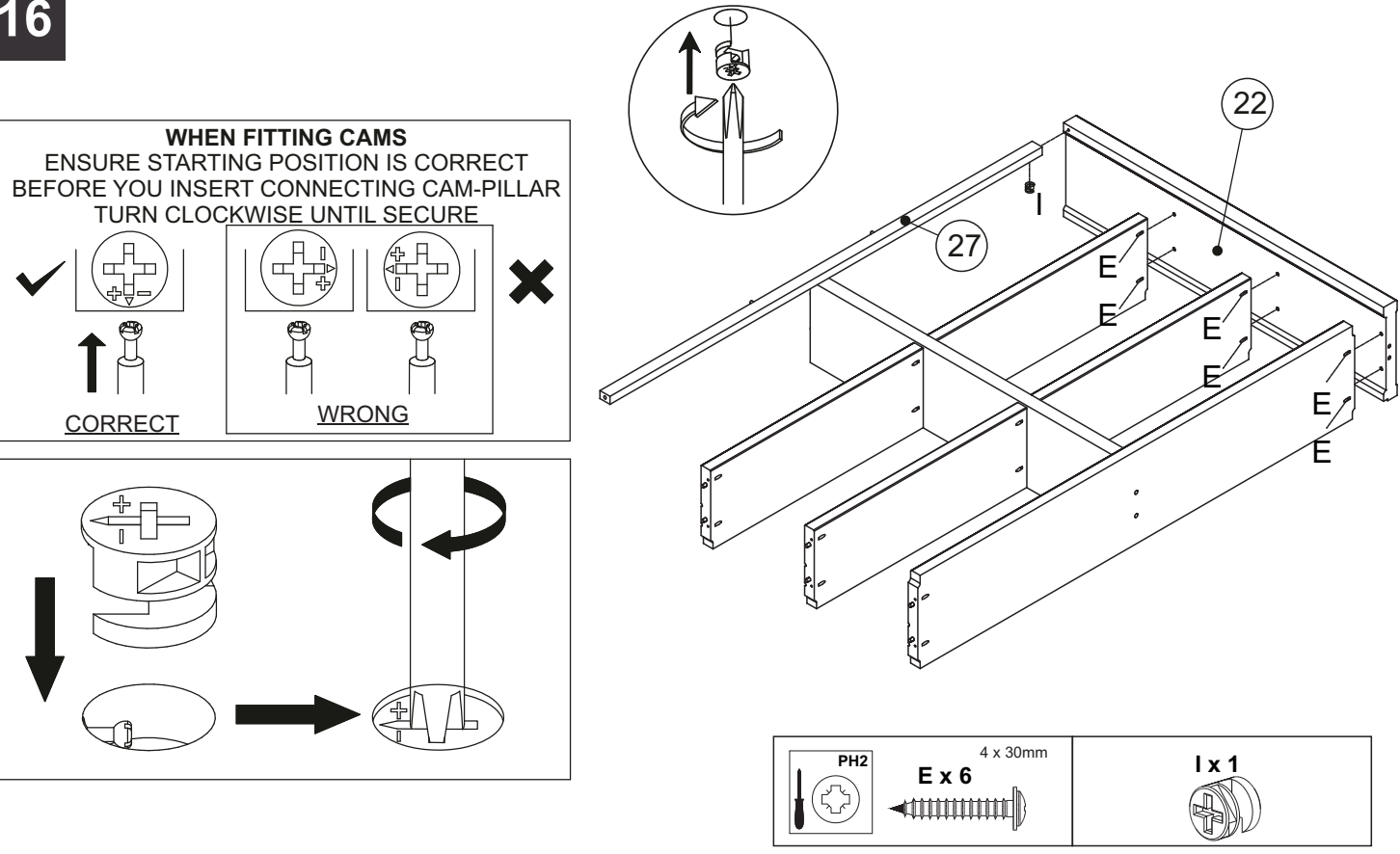
14



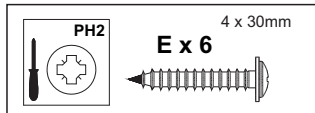
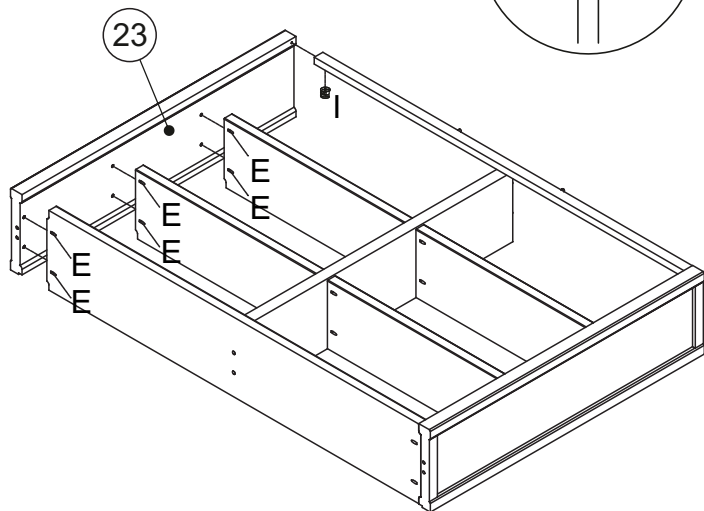
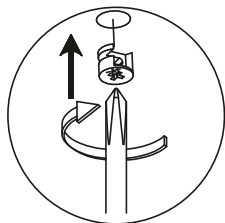
15



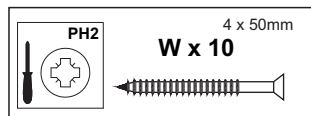
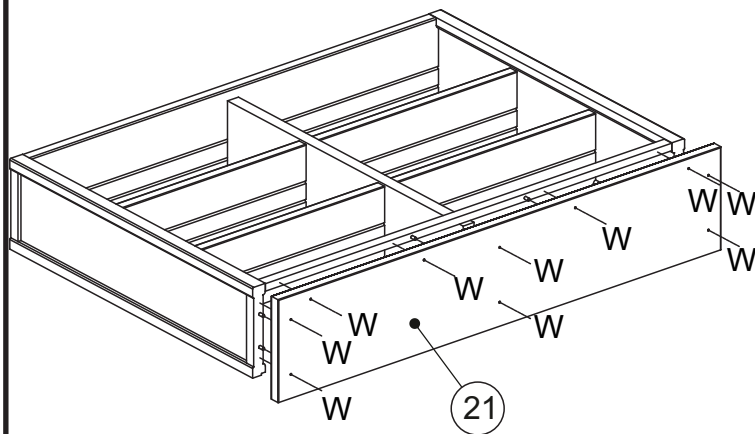
16



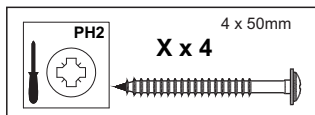
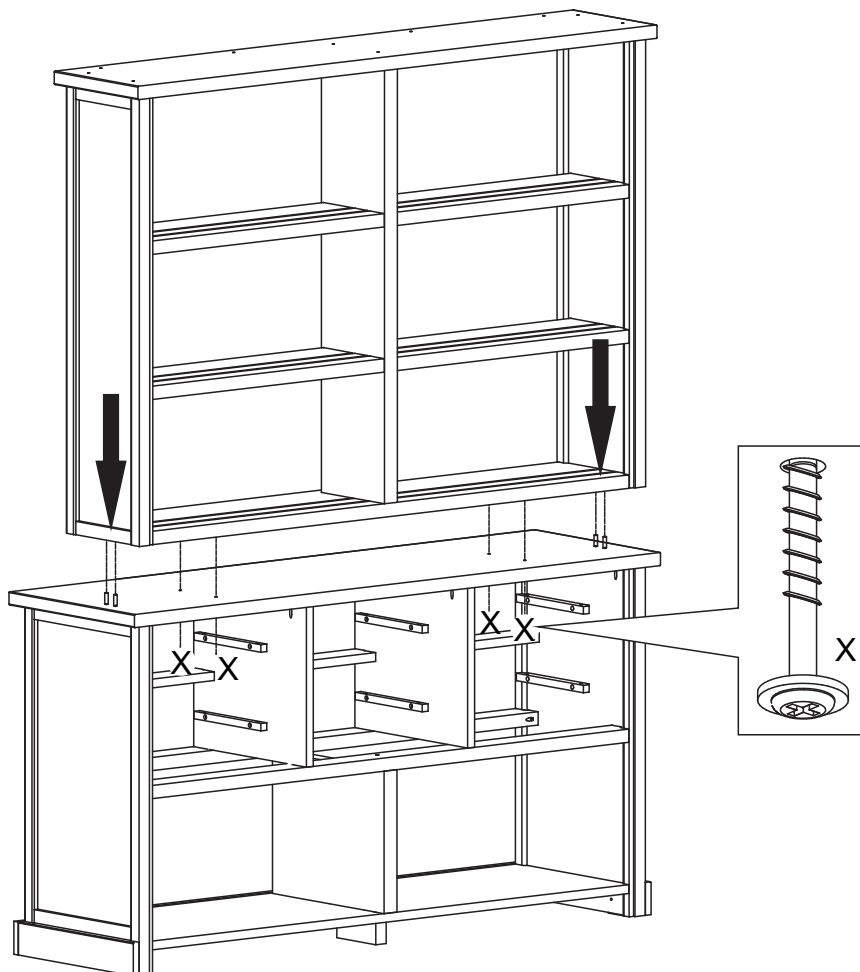
17



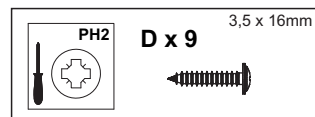
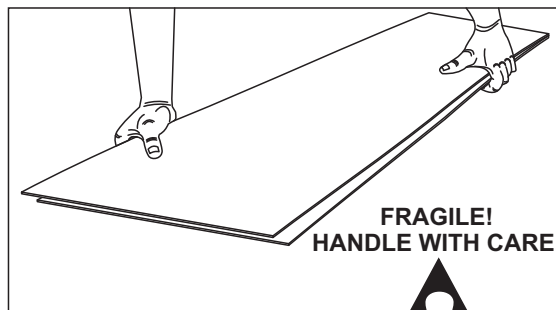
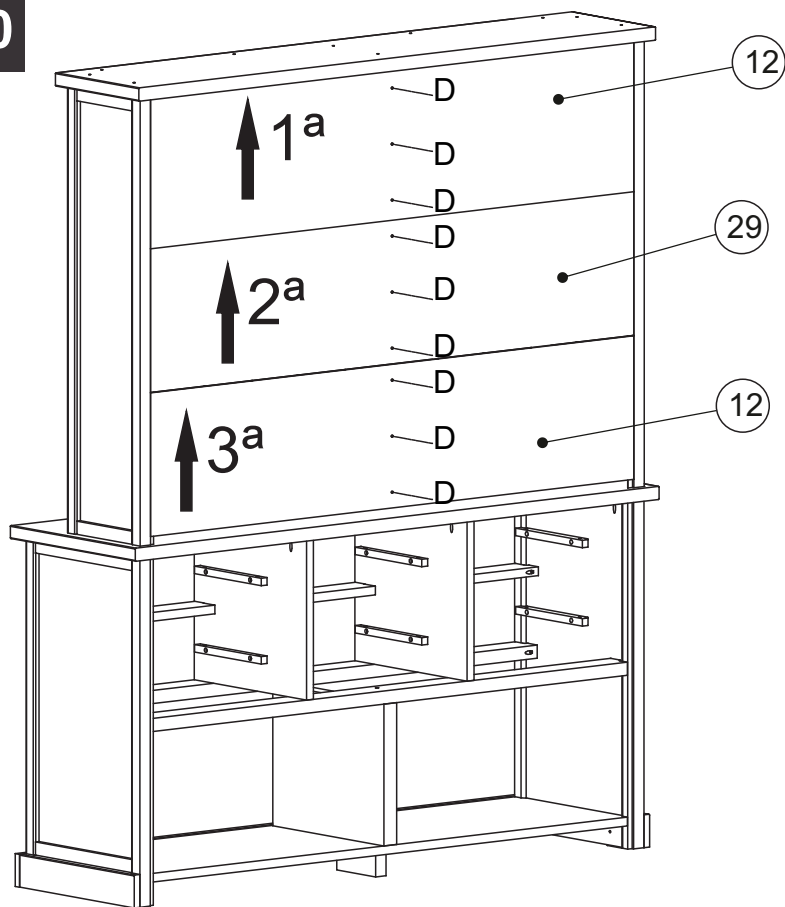
18



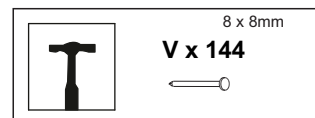
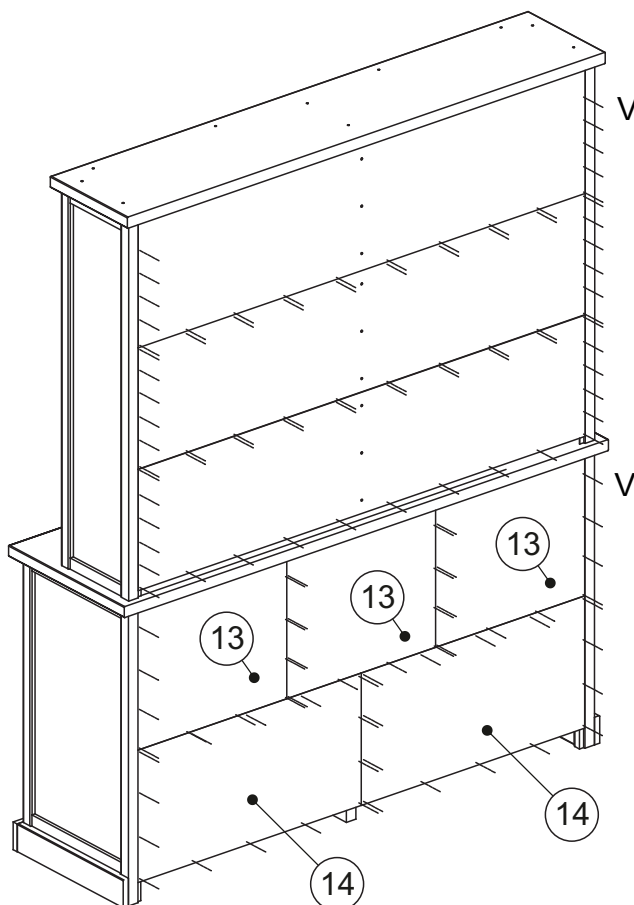
19



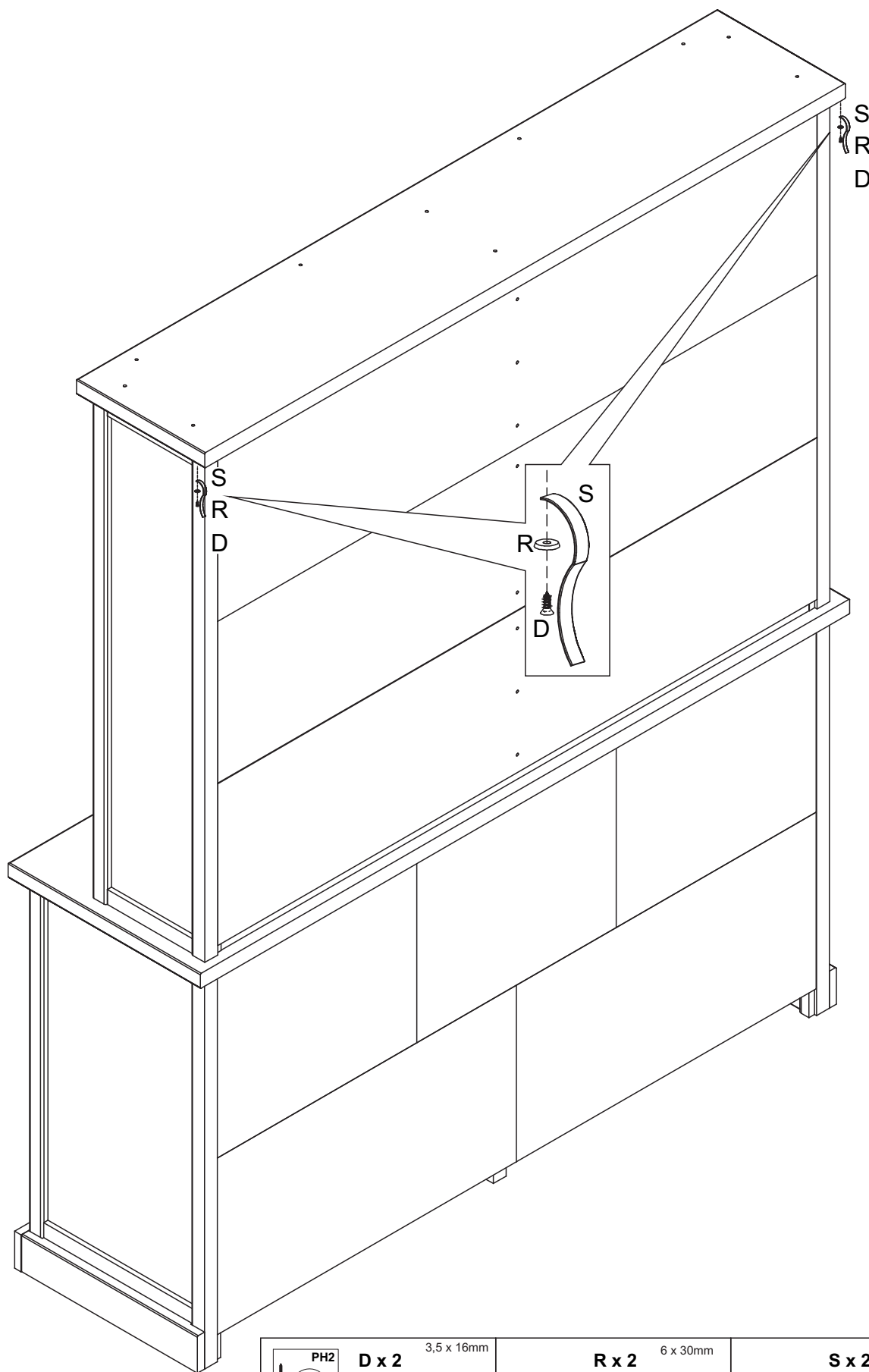
20

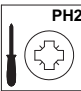





21



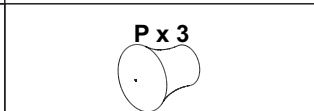
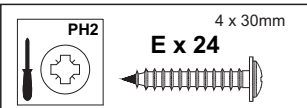
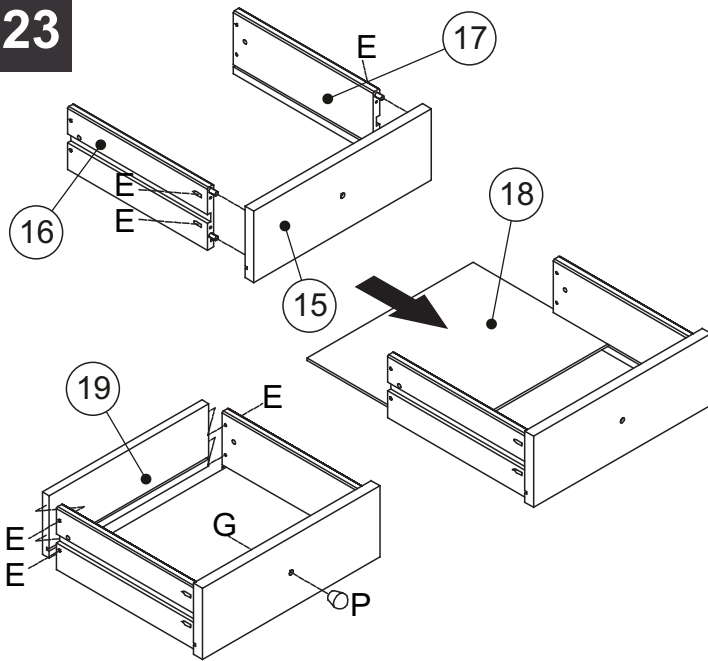
22



 PH2	<b>D x 2</b> 3,5 x 16mm 	<b>R x 2</b> 6 x 30mm 	<b>S x 2</b> 
--	--	--	---

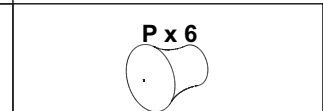
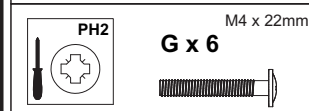
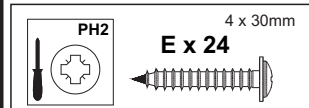
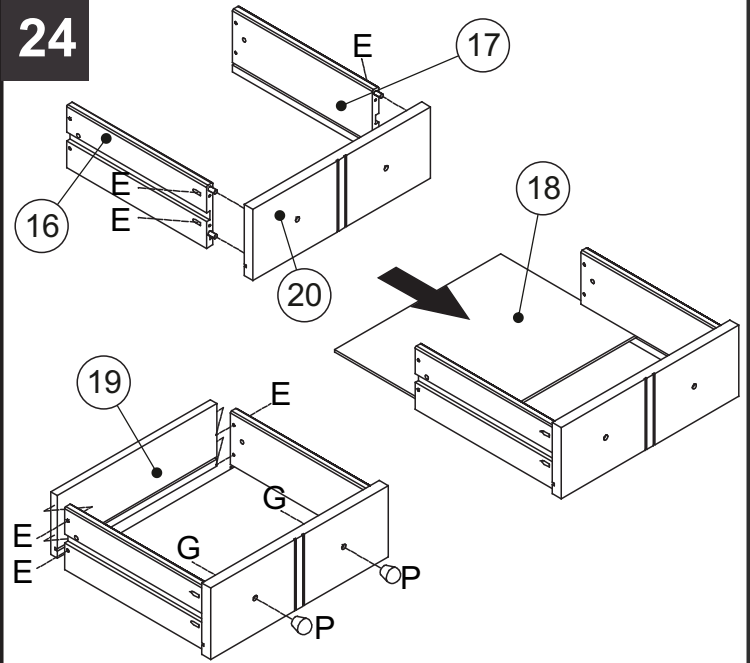


**23**



**x3**

**24**



**x3**

**25**

«DO NOT PUSH DOWEL UNTIL THE END.  
LEAVE A LEAST HALF INSIDE THE DRAWER»

