

next

HEARTS AND STARS DESK SET (CHAIR AND CUBBY)

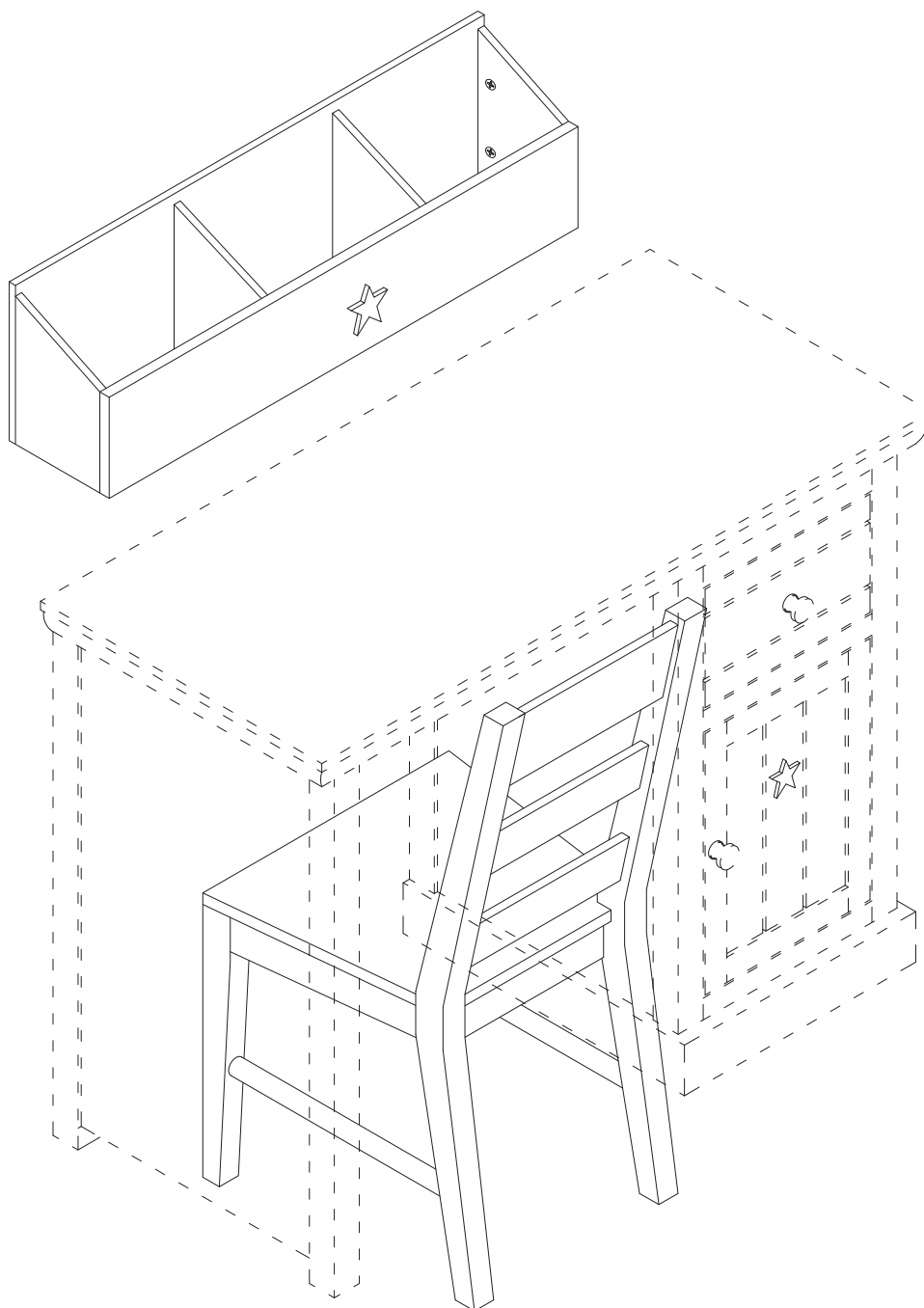
680852

Assembly instructions

Actual product size

H94.5 x W45 X D54cm (Chair)

H22 x W75 X D6cm (Cubby)



IMPORTANT - RETAIN FOR FUTURE REFERENCE

BEFORE YOU START**Warnings**

Important: Retain these instructions for future reference.

Unwrap all packaging materials and place the components on top of the carton box or on a clean floor to prevent it from scratching.

This product should only be used on firm, level ground.

Keep small parts out of reach of children.

Keep fittings out of children's reach and keep children well away from construction area.

Please periodically check all fittings and re-tighten as necessary.

Avoid exposing the furniture to excessive heat or direct sunlight as this can cause cracking of the wood and deterioration of the colour.

Not suitable for use in bathrooms.

The maximum load capacity of this Cubby 5kg.

Do's

We suggest you spend a short time reading through this leaflet before you start.

When you are ready to start, make sure that you have the right tools, plenty of space and a clean, dry area for assembly.

Check the pack and make sure you have all the parts listed.

During assembly children should be kept away from the product due to possible risk of injury.

Tools not included.

Due to the size of this product we recommend that it is assembled in the room intended for use.

Ensure the product is fully assembled as illustrated and all fixings fully tightened before use. Check fixings regularly to ensure they remain tight.

Make sure the legs remain in contact with the ground.

Check all screws or bolts are tightened and inspect regularly.

To clean your item, wipe with soft cloth slightly dampened with water. Then buff with a dry clean cloth.

Unwrap all packaging materials and place the components on a clean surface to protect it from damage.

We recommend that the packaging is used to protect the surface during assembly.

Wood will mellow and change colour over time, we recommend that ornaments and items placed on the surface are moved regularly for the first few months to prevent uneven mellowing.

Don'ts

Do not use power tools to construct this product.

Do not tighten screws until fully assembled.

Do not overtighten screws or bolts.

Do not stand or sit on your furniture.

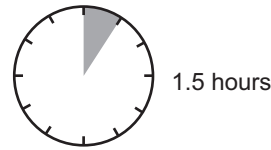
Do not use this product if parts are missing, damaged or worn.

Do not use silicone based furniture polish. Silicone in furniture polishes can break down the lacquer finish.

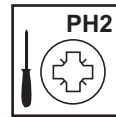
Never allow any kind of liquid to remain on your furniture. Absorption can cause wood to warp or finishes to de-laminate.

Number of people required to assemble

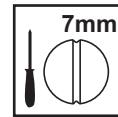
We recommend two people assemble this product.

Time to assemble**Tools required**

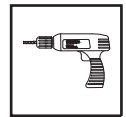
not supplied



not supplied



not supplied



not supplied

Missing parts

If you are missing any fixtures and fittings for your product please contact our customer service team on **0333 777 8999** and they will be happy to arrange for a replacement to be sent to you free of charge.

Home service technicians

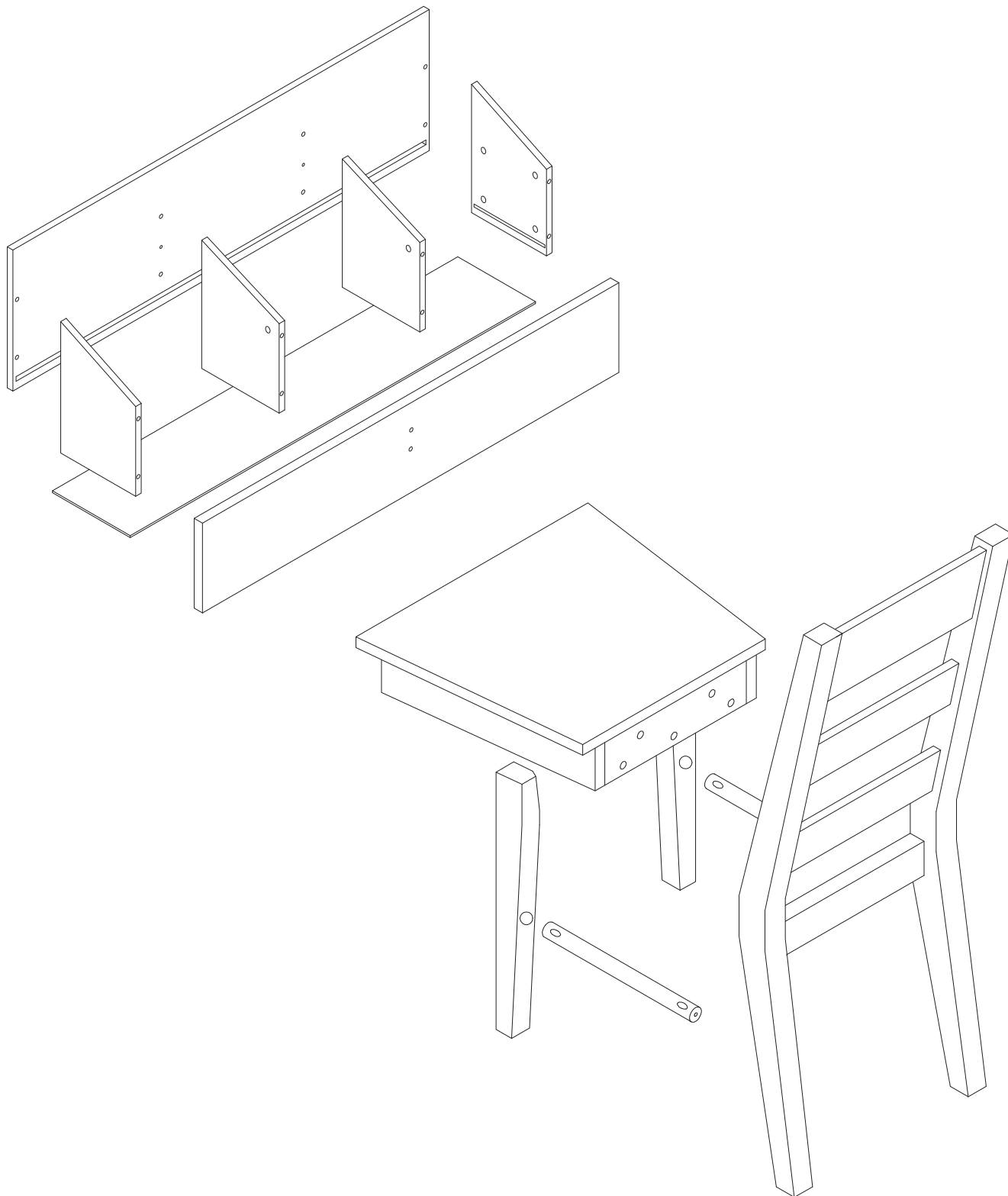
If you have a fault with your product please contact our customer service team on **0333 777 8999**. If you have had the product for 28 days or less you may be offered a replacement, refund or for a fully trained home service technician to visit your home to assess the fault and repair the product where possible. If you have had the product for more than 28 days we will send an independent home service technician to review and repair the product where possible and recommend further action.

You can write to us at

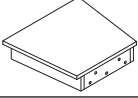
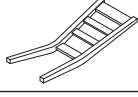

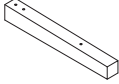
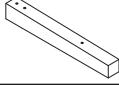
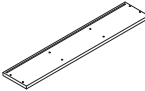
Home Customer Services
Next Retail Ltd,
Desford Road,
Leicester,
LE19 4AT

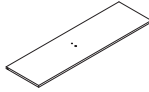
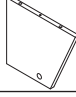
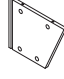
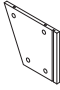

To view our full furniture range please visit www.next.co.uk

GETTING TO KNOW YOUR PRODUCT



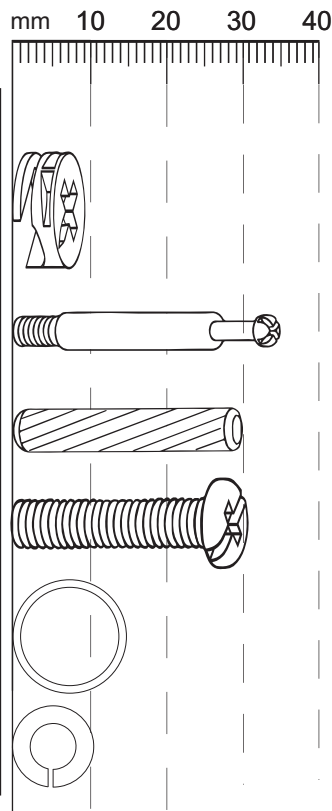
Components supplied-Use this guide if you require a replacement part.

Ref	Dimensions	Visual	Qty	Ctn
1	45 x 37.5cm		1	2
2	94.5 x 37.5cm		1	2
3	39 x 2cm		2	2
4	43 x 4.5cm		1	2
5	43 x 4.5cm		1	2
6	75 x 22cm		1	2

Ref	Dimensions	Visual	Qty	Ctn
7	75 x 14cm		1	2
8	13.6 x 18cm		2	2
9	13.6 x 19.5cm		1	2
10	13.6 x 19.5cm		1	2
11	74 x 14.5cm		1	2

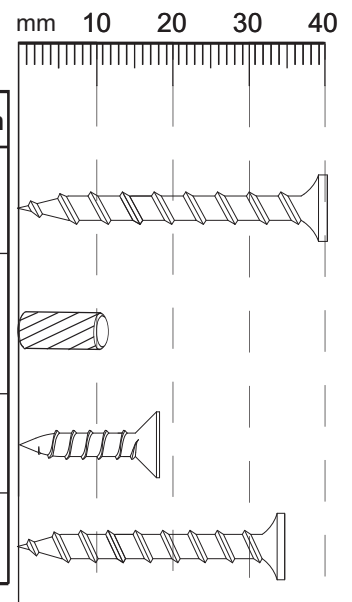
Fixtures and fittings supplied (actual size)

Ref	Dimensions	Qty	Ctn
A	15 x 9.5mm	10	2
B	6 x 35mm	10	2
C	6 x 30mm	6	2
D	6 x 25mm	5	2
E	15 x 1mm	4	2
F	10.5 x 1mm	4	2



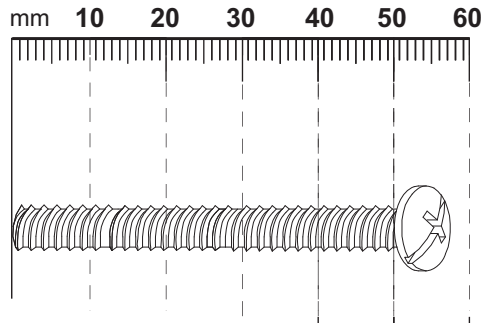
Fixtures and fittings supplied (actual size)

Ref	Dimensions	Qty	Ctn
G	4 x 38mm	4	2
H	5 x 12mm	1	2
I	3 x 15mm	1	2
J	4 x 32mm	2	2







Fixtures and fittings supplied (actual size)

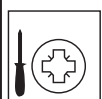
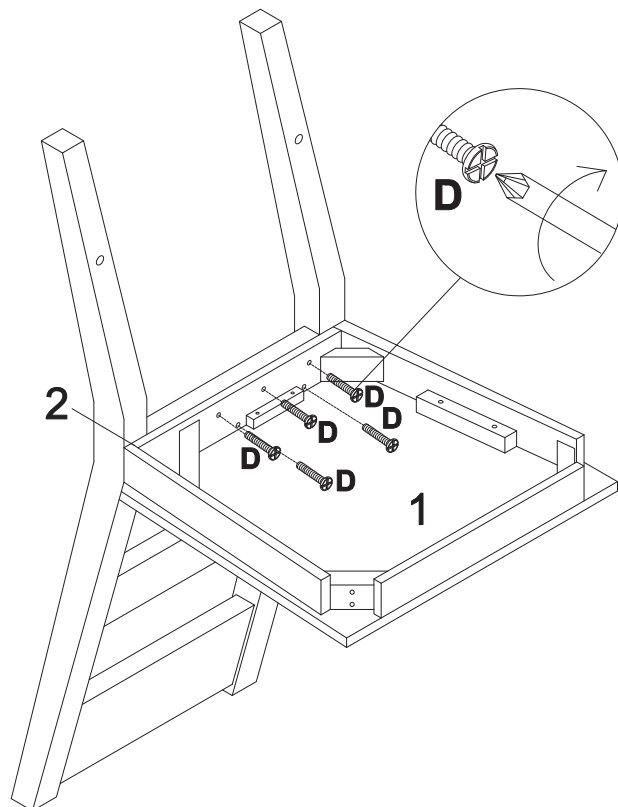
Ref	Dimensions	Qty	Ctn
K	6 x 50mm	4	2



Fixtures and fittings supplied (not to scale)

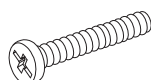
Ref	Dimensions	Visual	Qty	Ctn
L	75 x 75 x 12mm		1	2
M	75 x 75 x 12mm		1	2
N	75 x 75 x 12mm		1	2
O	750 x 60mm		1	2

1

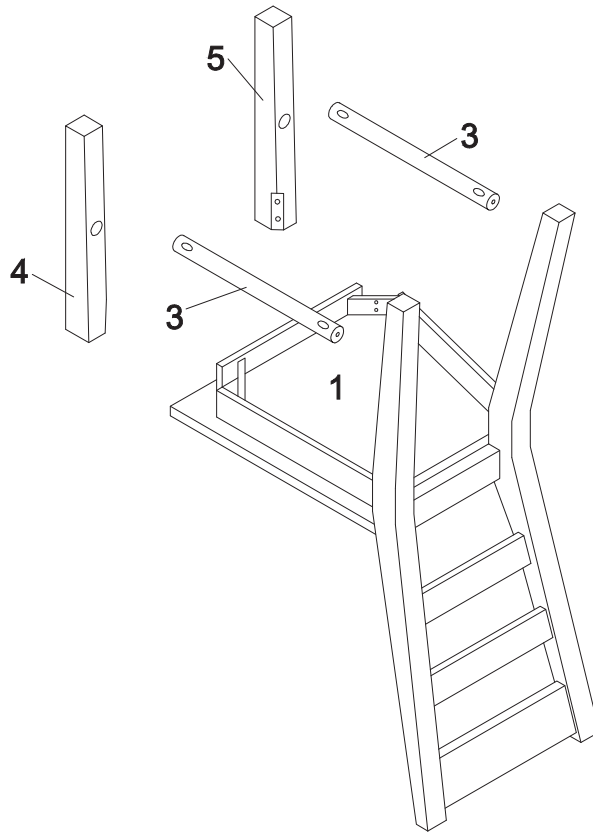


6 x 25mm

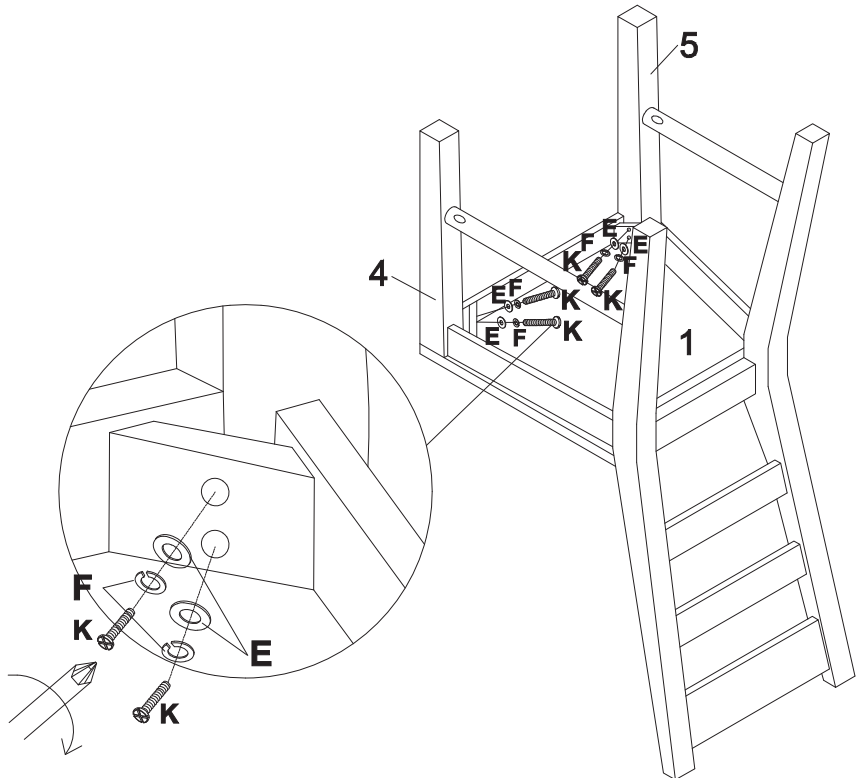
D x 5



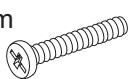


2

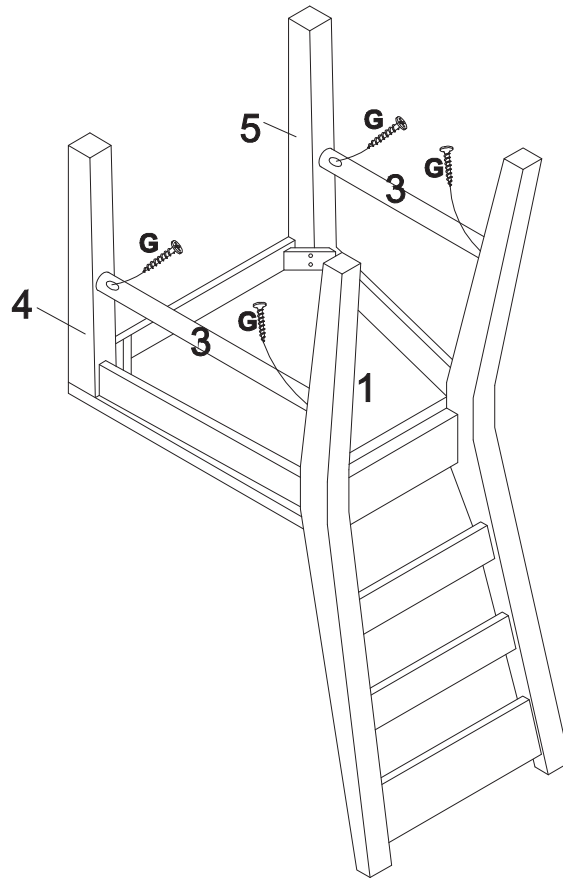


3

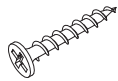


E x 4	15 x 1mm	
F x 4	10.5 x 1mm	
K x 4	6 x 50mm	

4



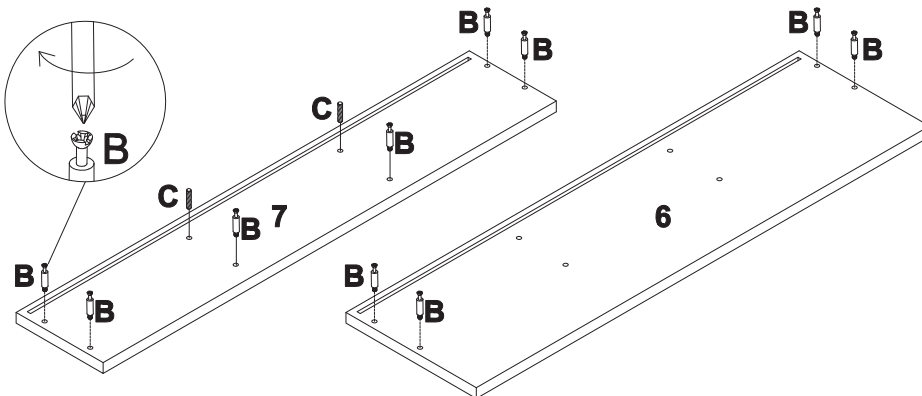
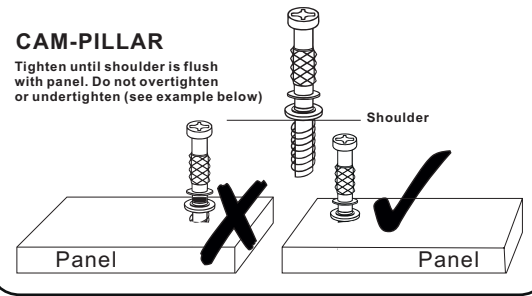
4 x 38mm
G x 4



5

CAM-PILLAR

Tighten until shoulder is flush with panel. Do not overtighten or undertighten (see example below)



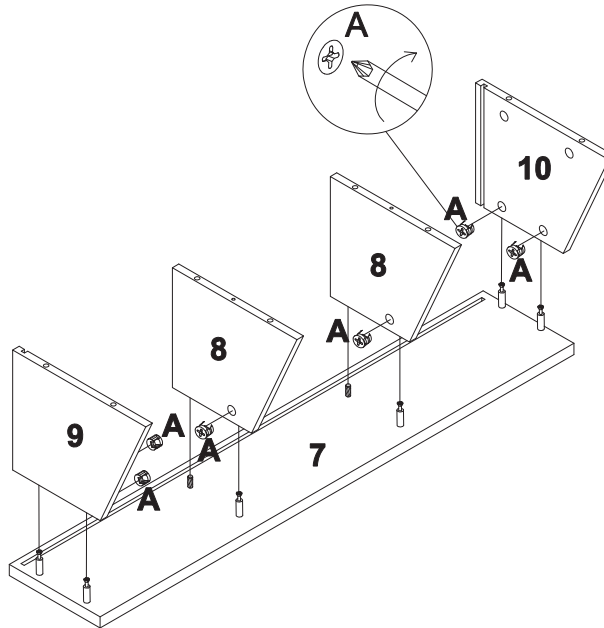
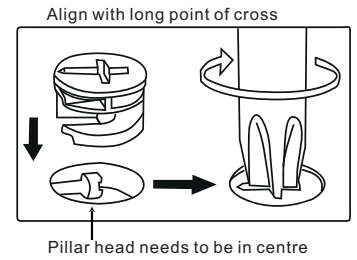
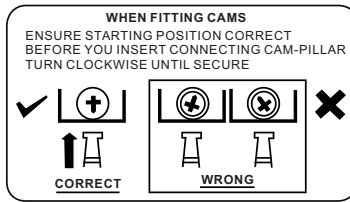
6 x 35mm
B x 10



6 x 30mm
C x 2



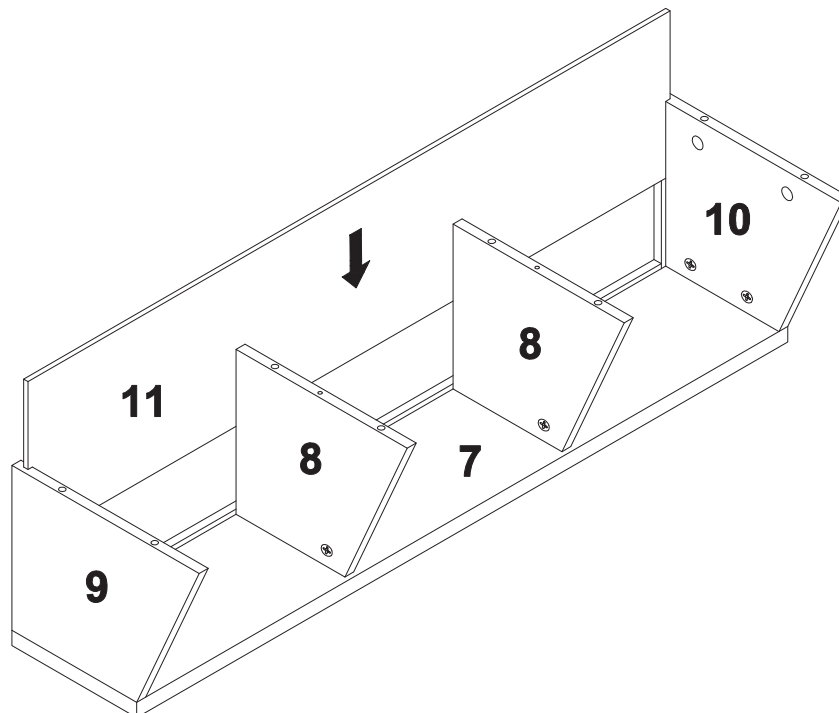
6



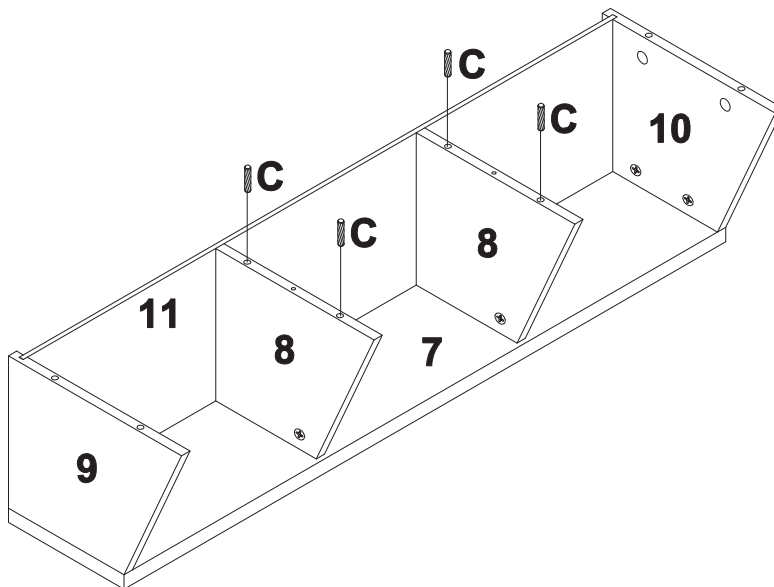
15 x 9.5mm
A x 6



7



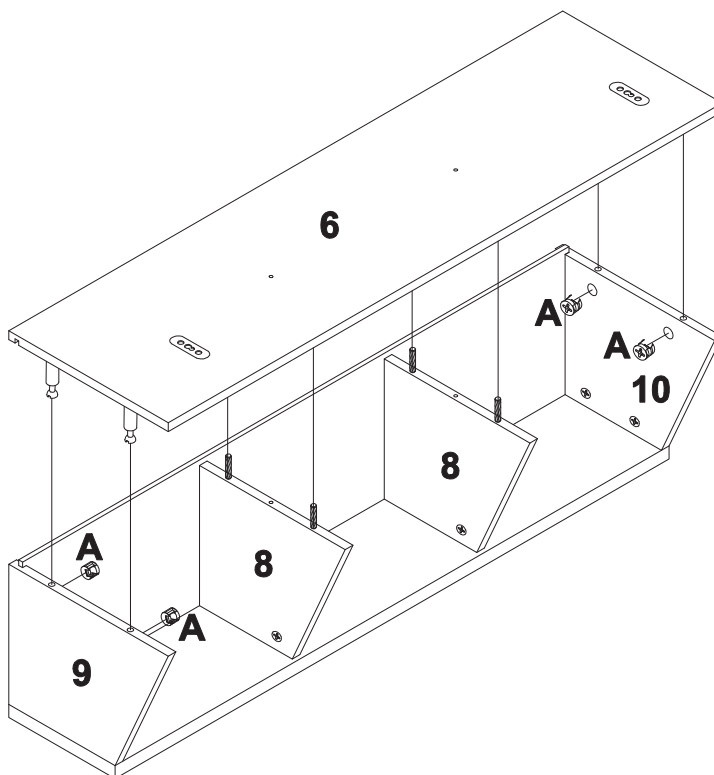
8



6 x 30mm
C x 4



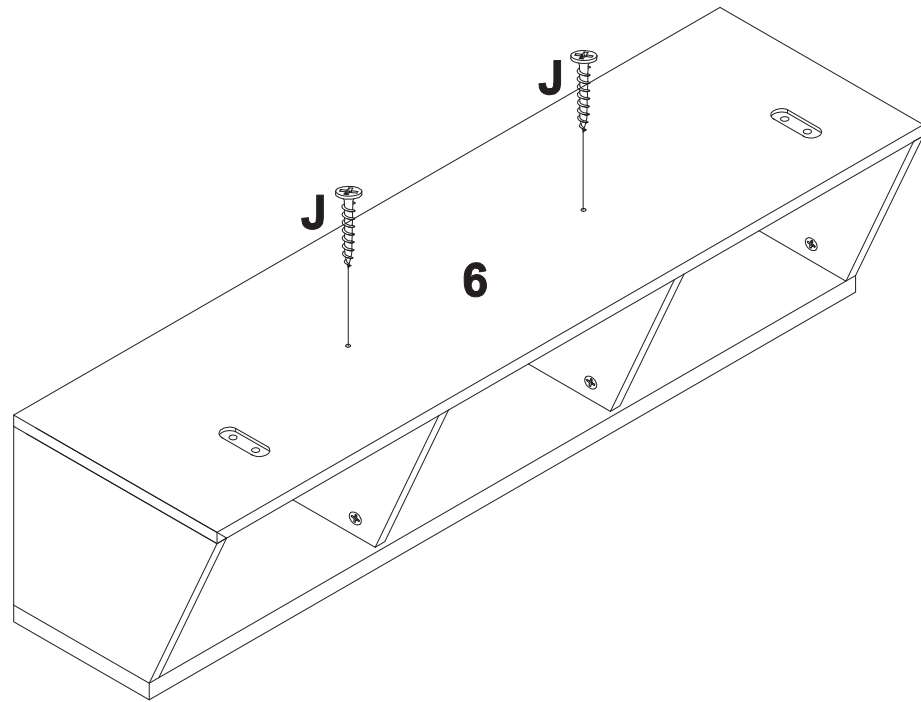
9



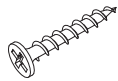
15 x 9.5mm
A x 4



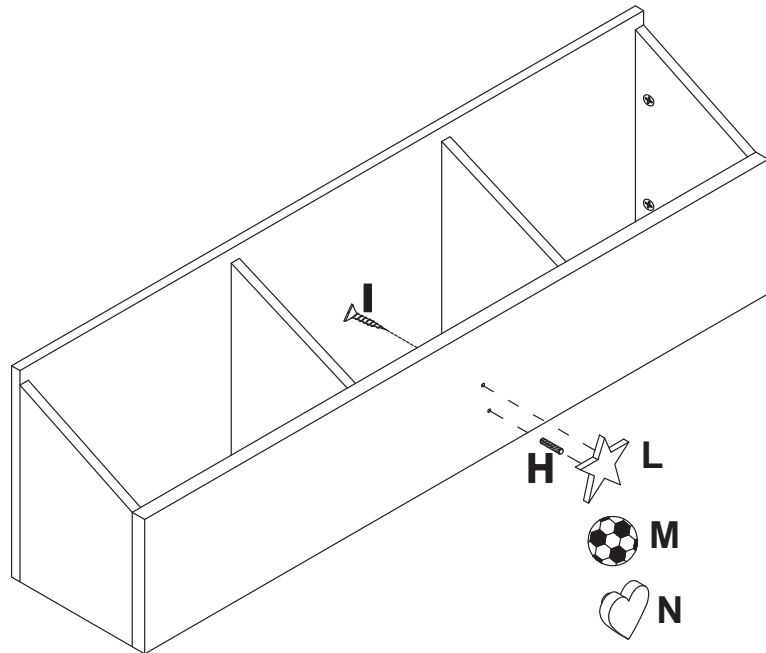
10



J x 2 4 x 32mm



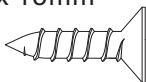
11



H x 1 5 x 12mm



I x 1 3 x 15mm



75 x 75 x 12mm

L x 1



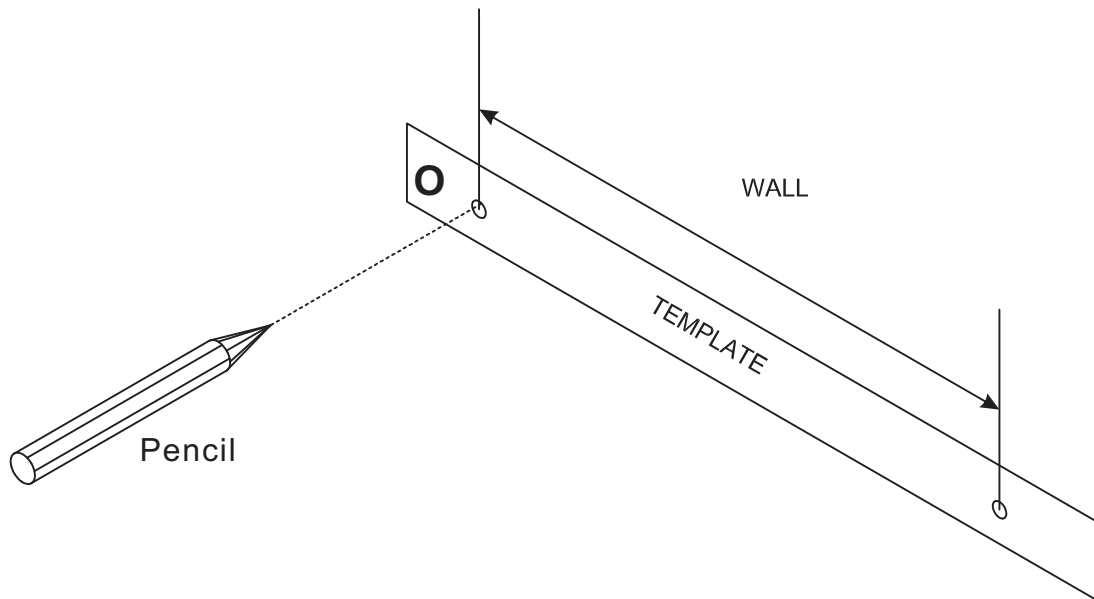
M x 1



N x 1

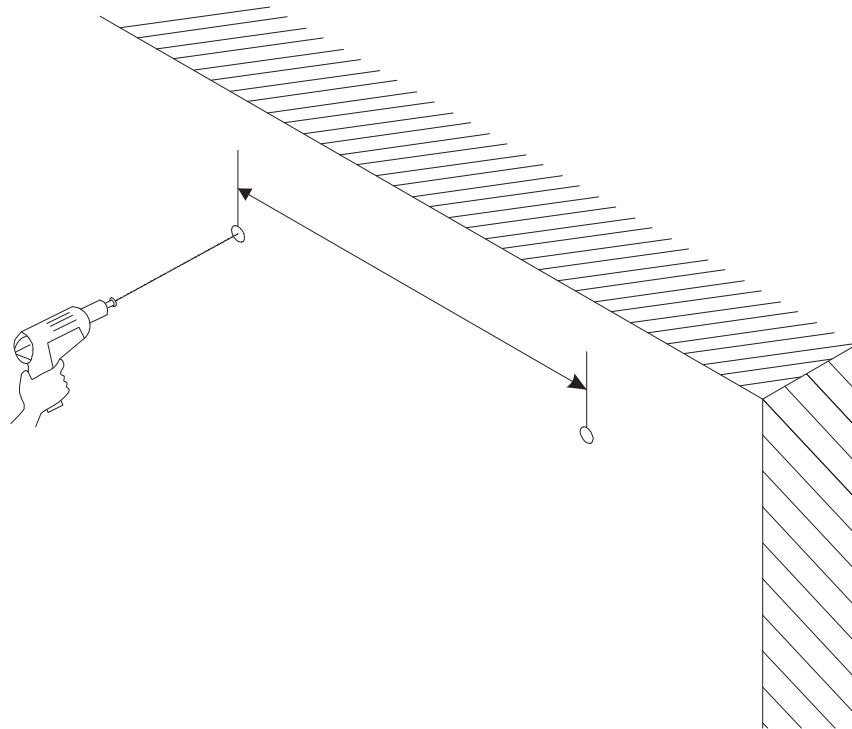


12



Place the template over the back of the cubby to ensure that the holes match the position of the hooks before into your wall.

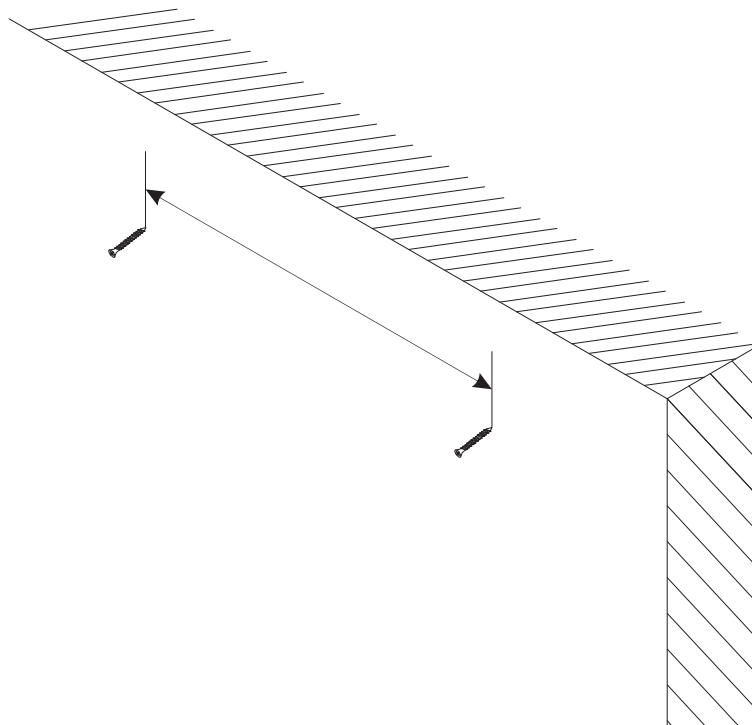
13



Use a spirit level to check that the fixings are level

Warning always ensure wall area to be drilled is free from hidden electrical wires, water and glass pipes.

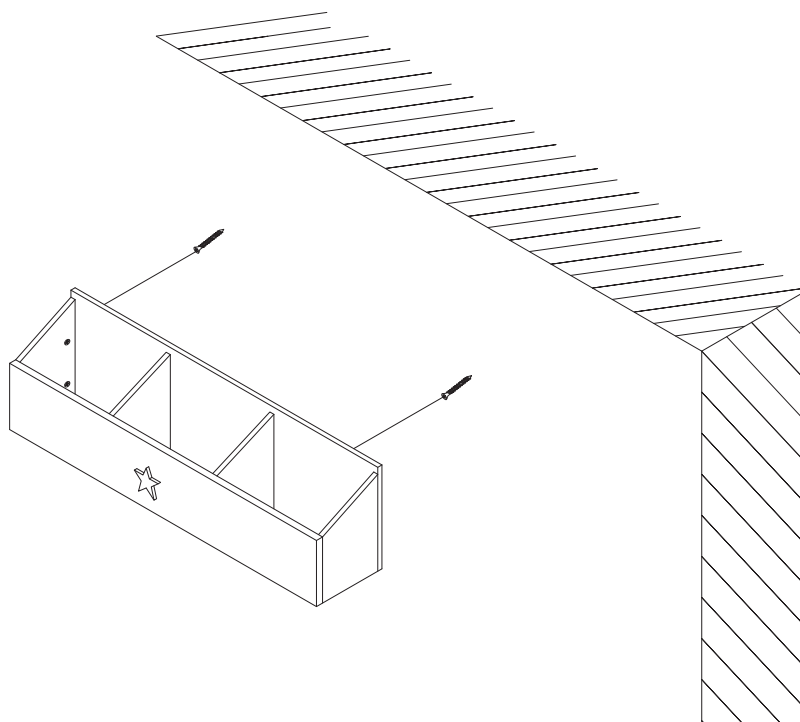
14



Insert an appropriate wall plug into each hole.

Insert the screws and tighten, leaving the screw head exposed by 1/4 inch(6mm).

15



16

