

next

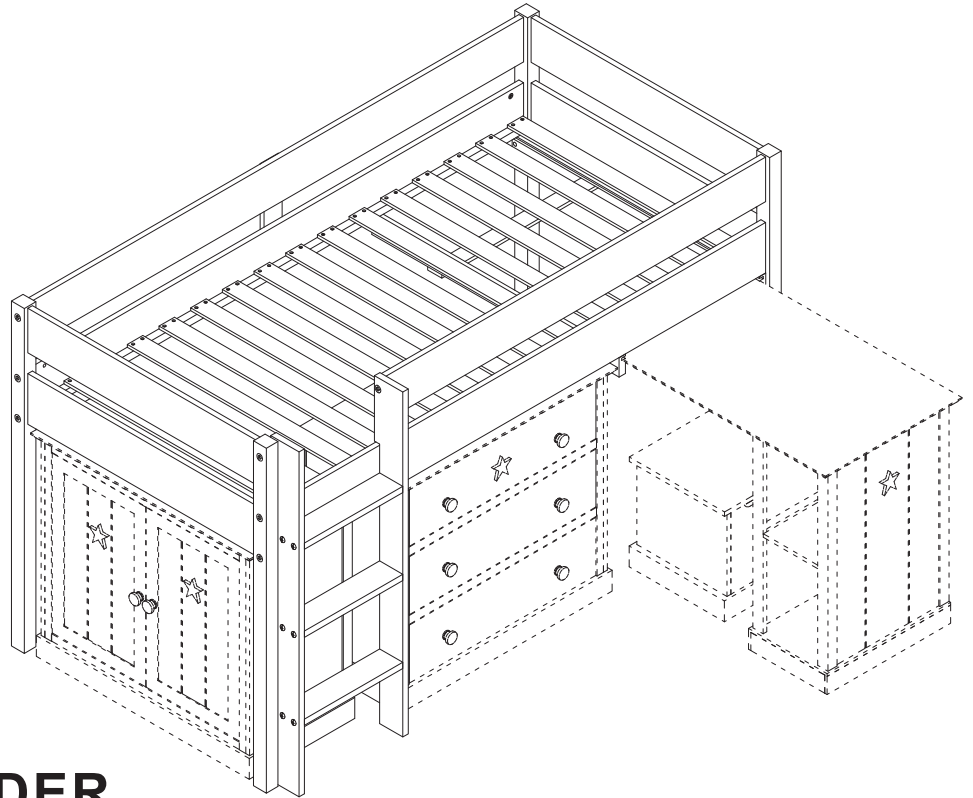
# HEART AND STARS CABIN STATION (BED)

681451

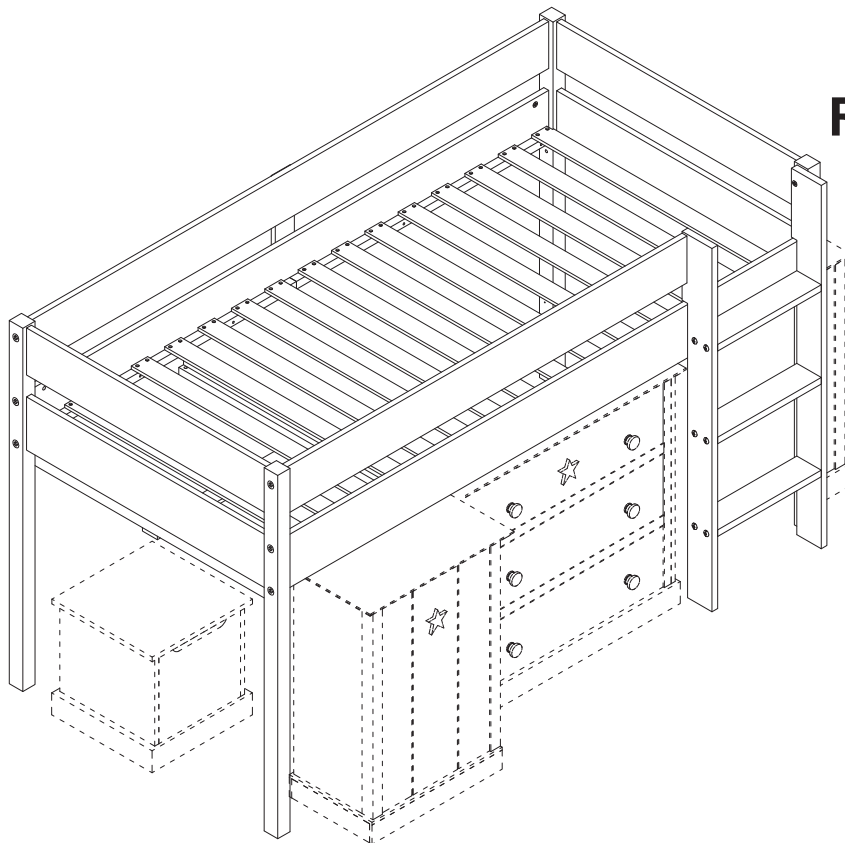
Assembly instructions

Actual product size

H82 x W204.5 X D104cm



**LEFT SIDE LADDER**



**RIGHT SIDE LADDER**

**Need Help?**

With: Assembly instructions  
Missing or damaged parts

**CALL: 0333 777 8999**

**IMPORTANT - RETAIN FOR FUTURE REFERENCE  
- READ CAREFULLY**

## BEFORE YOU START

This child's bed conforms to BS EN 747-1:2012

### WARNINGS

Routinely check that the upper safety rail and ladder attachment is secure and tighten any fittings using the appropriate tools

All assembly fittings shall always be tightened properly.

Screws shall not be loose because a child can squeeze parts of the body, or clothing (e.g. strings, necklaces, ribbons for babies, dummies, etc.) could get caught. There would be danger of strangulation.

**WARNING:** Children can become trapped between the bed and the wall. To avoid risk of serious injury the distance between the top safety barrier and the wall shall not exceed 75mm or shall be more than 230mm.

**WARNING:** Do not use this child's bed if any part is broken, torn or missing

**WARNING:** High beds and the upper bed of bunk beds are not suitable for children under six years due to risk of injury from falls

Do not leave items such as ropes, strings, cords, harnesses and belts attached to or hung to the bunk/high bed due to the risk of strangulation

Children are likely to play, bounce, jump and climb on the beds, therefore the child's bed should not be placed too close to other furniture or windows, and should be placed either tight to any wall or have a gap of 300mm between the wall and the side of the bed

### Do's

We suggest you spend a short time reading through this leaflet before you start.

When you are ready to start, make sure that you have the right tools, plenty of space and a clean, dry area for assembly.

Carefully check that you have all the parts before beginning assembly.

Tools not included.

Due to the size of this product we recommend that it is assembled in the room intended for use.

To clean your item, wipe with soft cloth slightly dampened with water. Then buff with a dry clean cloth.

Unwrap all packaging materials and place the components on a clean surface to protect it from damage.

We recommend that the packaging is used to protect the surfaces during assembly

This bed is designed to be used with a mattress with the following dimensions H17 x W90 x D190cm.

Please ensure that the mattress depth does not go past the permanent mark on the post/Upper Safety Barrier

Please periodically check all fittings and re-tighten as necessary.

We recommend that the packaging is used to protect the surface during assembly.

### Don'ts

Do not use power tools to construct this product.

Do not tighten screws until fully assembled.

Do not overtighten screws or bolts.

Do not drag or pull your furniture.

Do not use this product if parts are missing, damaged or worn.

Do not stand or jump on this product.

Do not use silicone based furniture polish. Silicone in furniture polishes can break down the lacquer finish.

Never allow any kind of liquid to remain on your furniture. Absorption can cause wood to warp or finishes to de-laminate.

### Number of people required to assemble

We recommend three people assemble this product.

### Time to assemble

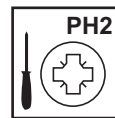


4 hours

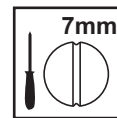
### Tools required



not supplied



not supplied



not supplied

### Missing parts

If you are missing any fixtures and fittings for your product please contact our customer service team on **0333 777 8999** and they will be happy to arrange for a replacement to be sent to you free of charge.

### Home service technicians

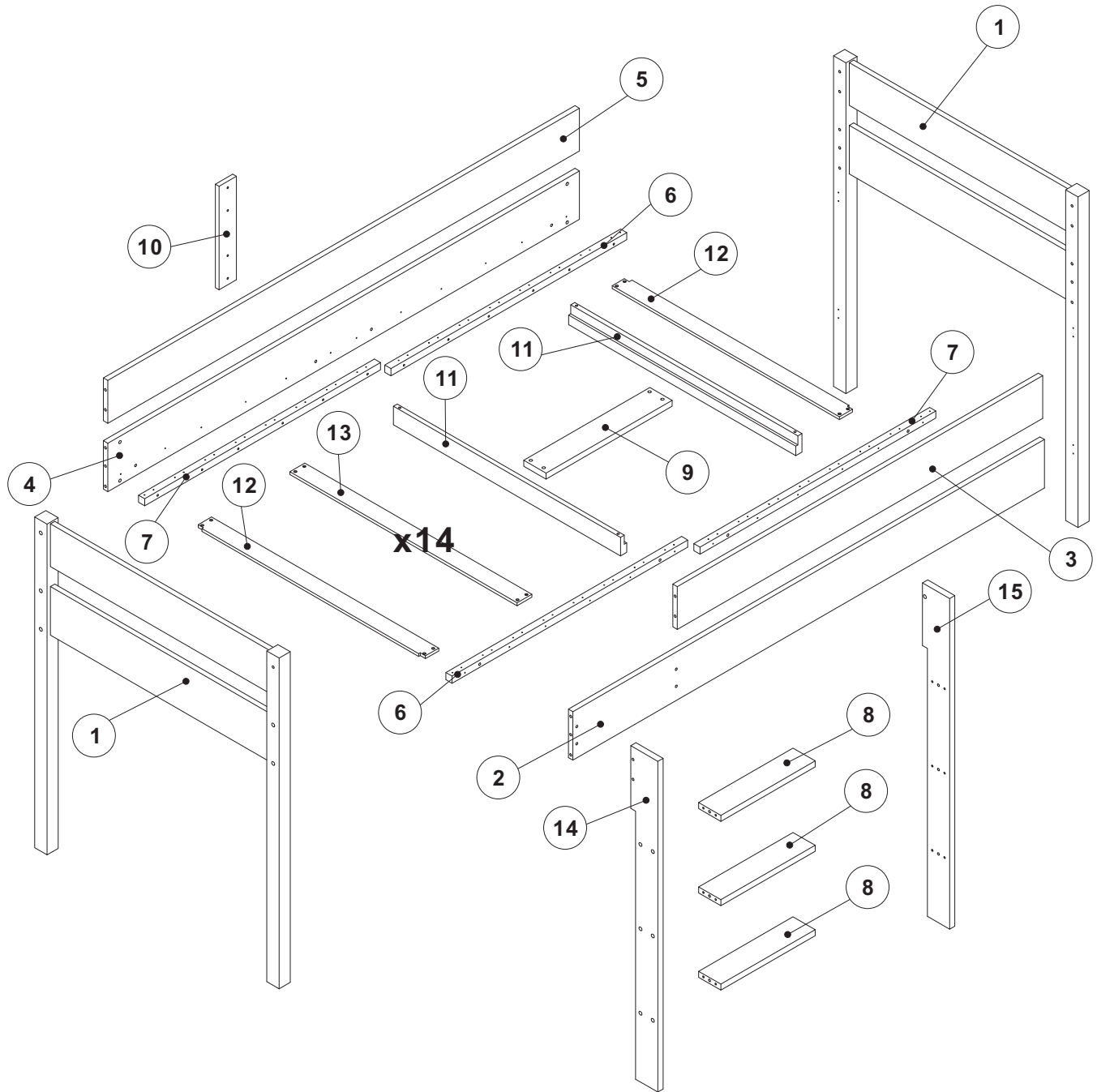
If you have a fault with your product please contact our customer service team on **0333 777 8999**. If you have had the product for 28 days or less you may be offered a replacement, refund or for a fully trained home service technician to visit your home to assess the fault and repair the product where possible. If you have had the product for more than 28 days we will send an independent home service technician to review and repair the product where possible and recommend further action.

### You can write to us at

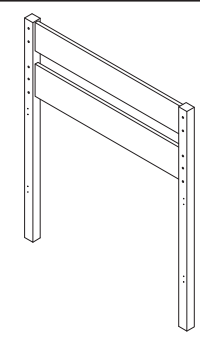
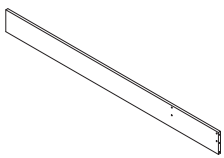
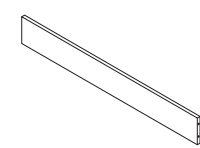
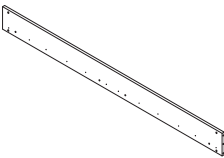
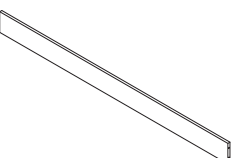
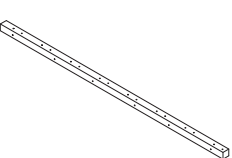
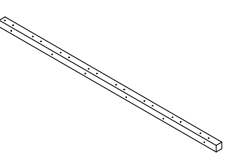
Home Customer Services  
Next Retail Ltd,  
Desford Road,  
Leicester,  
LE19 4AT

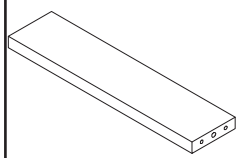
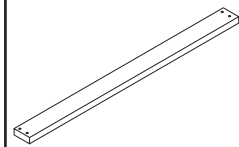

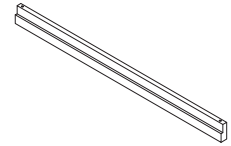
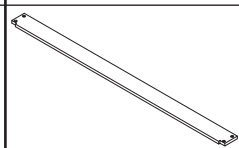
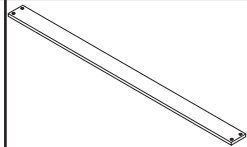
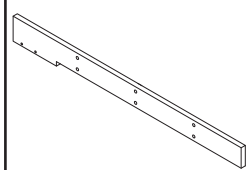
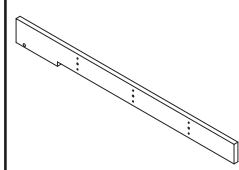
To view our full furniture range please visit [www.next.co.uk](http://www.next.co.uk)

# GETTING TO KNOW YOUR PRODUCT



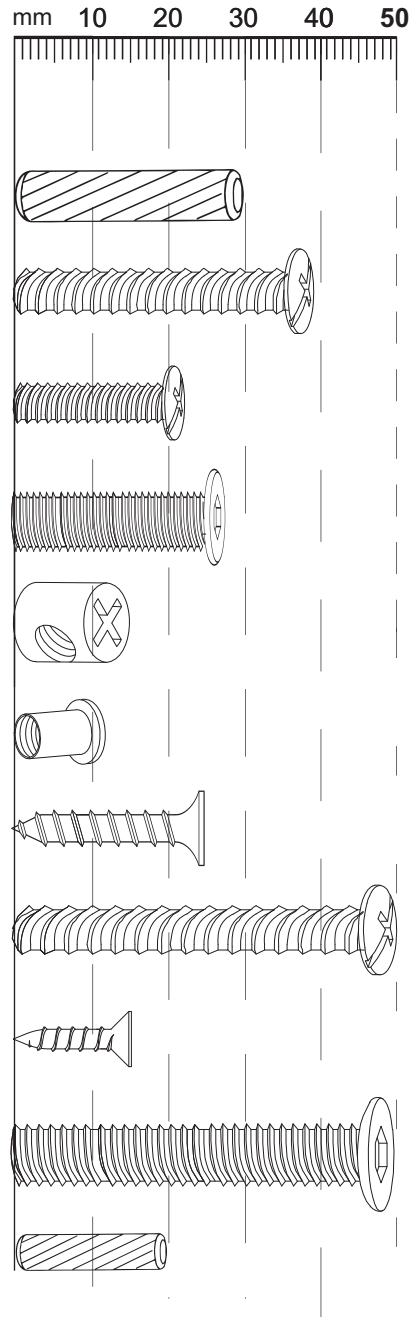
Components supplied-Use this guide if you require a replacement part.

| Ref | Dimensions   | Visual  | Qty | Ctn |
|-----|--------------|---|-----|-----|
| 1   | 118 x 99cm   |    | 2   | 1   |
| 2   | 190.5 x 18cm |    | 1   | 2   |
| 3   | 148 x 16cm   |   | 1   | 2   |
| 4   | 190.5 x 18cm |  | 1   | 2   |
| 5   | 190.5 x 16cm |  | 1   | 2   |
| 6   | 95 x 2.5cm   |  | 2   | 2   |
| 7   | 95 x 2.5cm   |  | 2   | 2   |

| Ref | Dimensions     | Visual  | Qty | Ctn |
|-----|----------------|---|-----|-----|
| 8   | 38.2 x 9cm     |    | 3   | 1   |
| 9   | 57 x 7cm       |    | 1   | 1   |
| 10  | 39 x 7cm       |   | 1   | 1   |
| 11  | 92.5 x 6.5cm   |  | 2   | 1   |
| 12  | 92 x 6cm       |  | 2   | 1   |
| 13  | 92 x 6cm       |  | 14  | 1   |
| 14  | 117.7 x 10.8cm |  | 1   | 1   |
| 15  | 117.7 x 10.8cm |  | 1   | 1   |

**Fixtures and fittings supplied (actual size)**

| Ref | Dimensions | Qty |
|-----|------------|-----|
| A   | 8 x 30mm   | 15  |
| B   | 6 x 38mm   | 12  |
| C   | 6 x 22mm   | 4   |
| D   | 8 x 25mm   | 4   |
| E   | 8mm        | 8   |
| F   | 8 x 12mm   | 1   |
| G   | 4 x 25mm   | 92  |
| H   | 6 x 50mm   | 4   |
| I   | 3 x 15mm   | 8   |
| J   | 8 x 50mm   | 1   |
| K   | 5 x 20mm   | 8   |



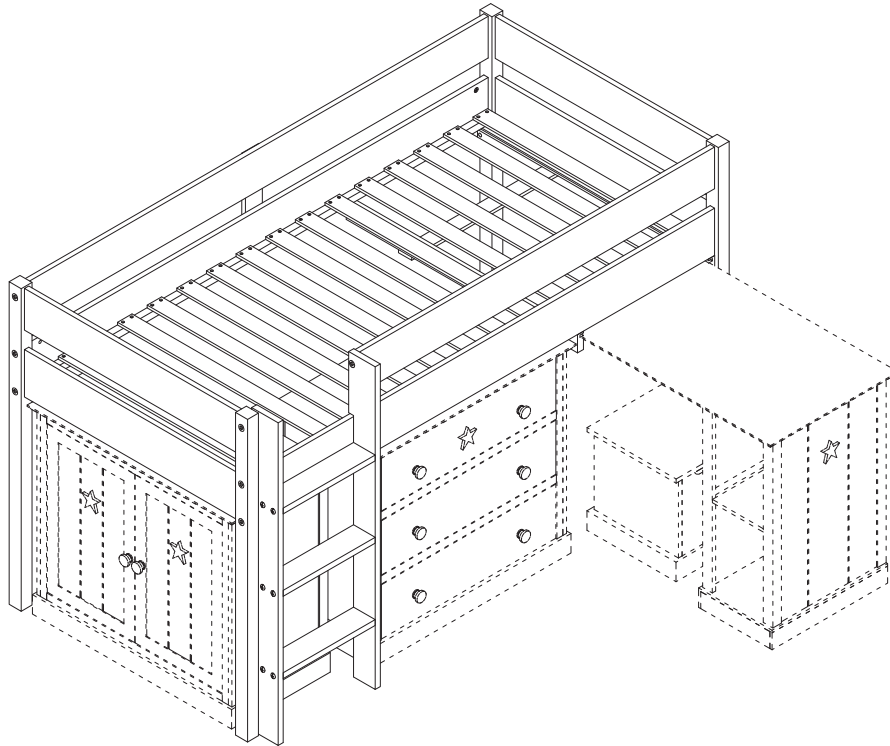
**Fixtures and fittings supplied (not to scale)**

| Ref | Dimensions     | Visual | Qty |
|-----|----------------|--------|-----|
| L   | 8 x 89mm       |        | 12  |
| M   | 22 x 22 x 39mm |        | 2   |
| N   | M5mm           |        | 1   |

1

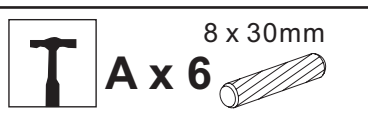
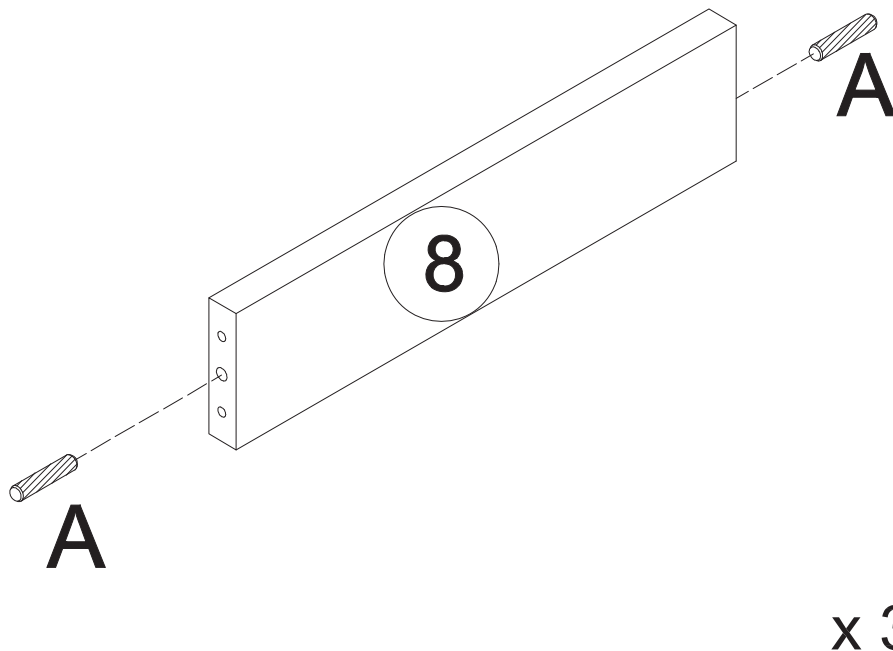
**!ATTENTION!**

**!ATTENTION!**

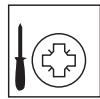
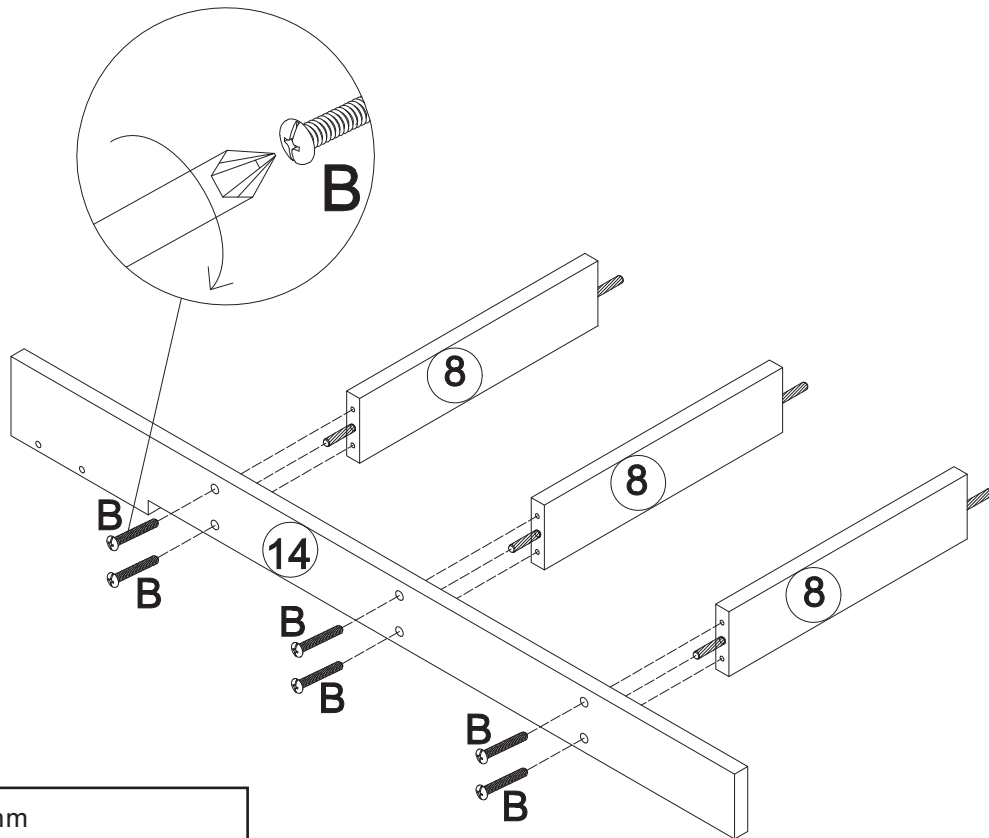


To assemble the bed with ladder on LEFT side please go to STEP 2 to 20.

2



3

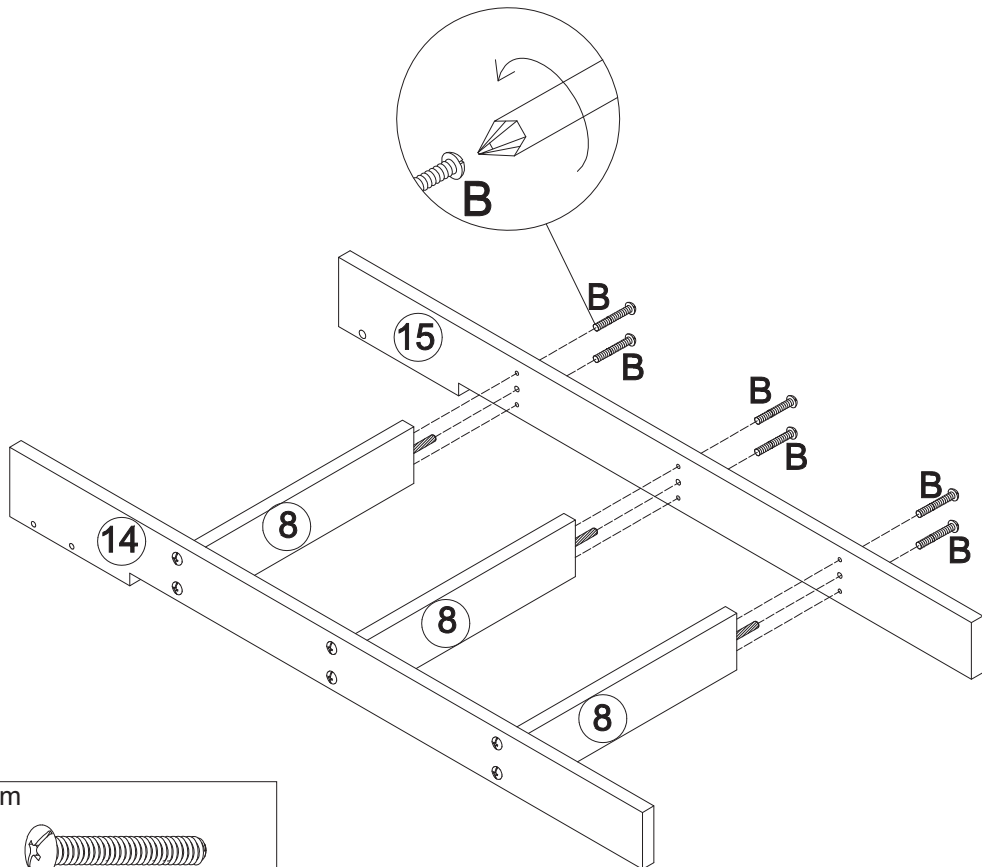


6 x 38mm

**B x 6**



4

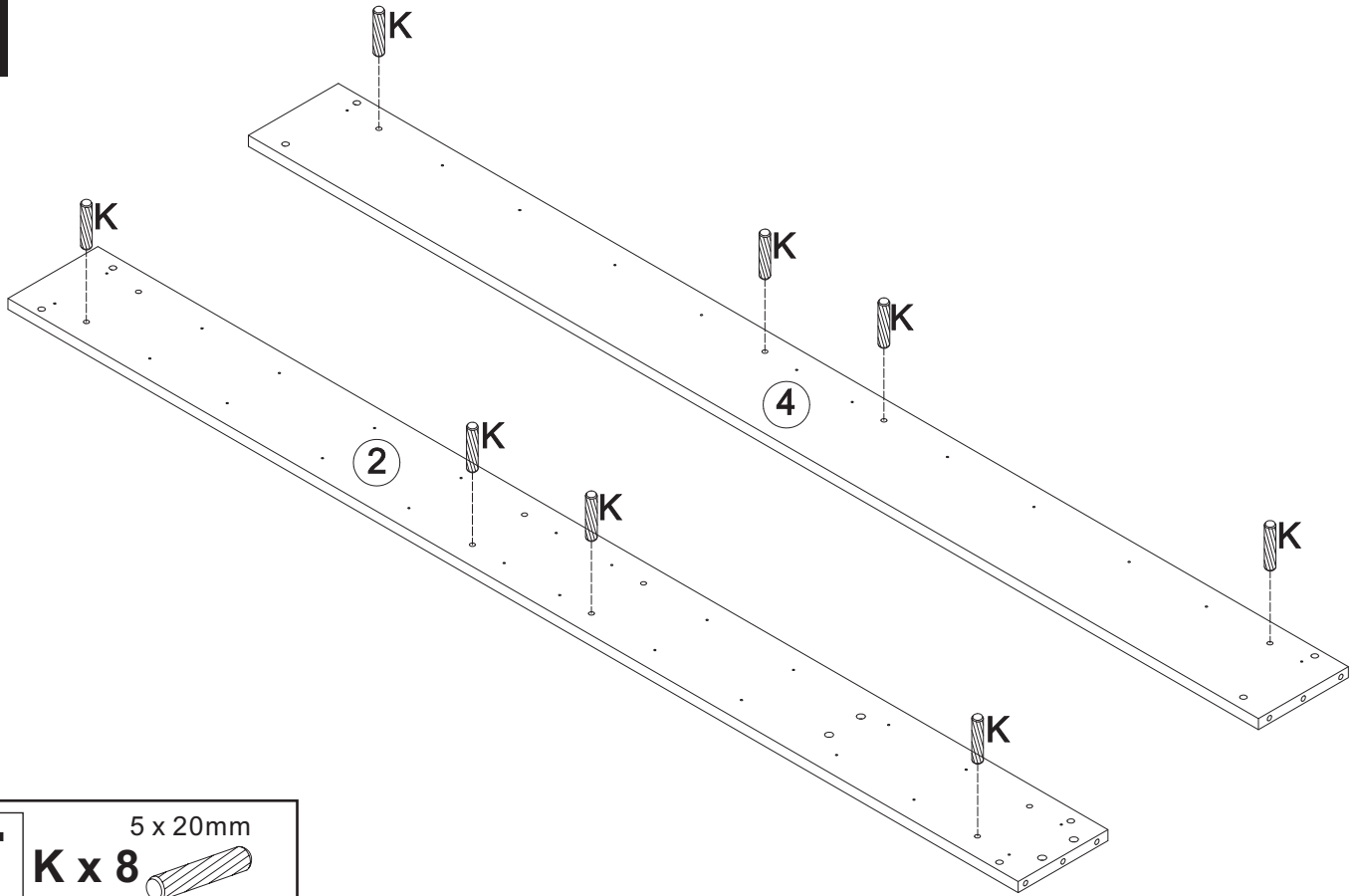


6 x 38mm

**B x 6**

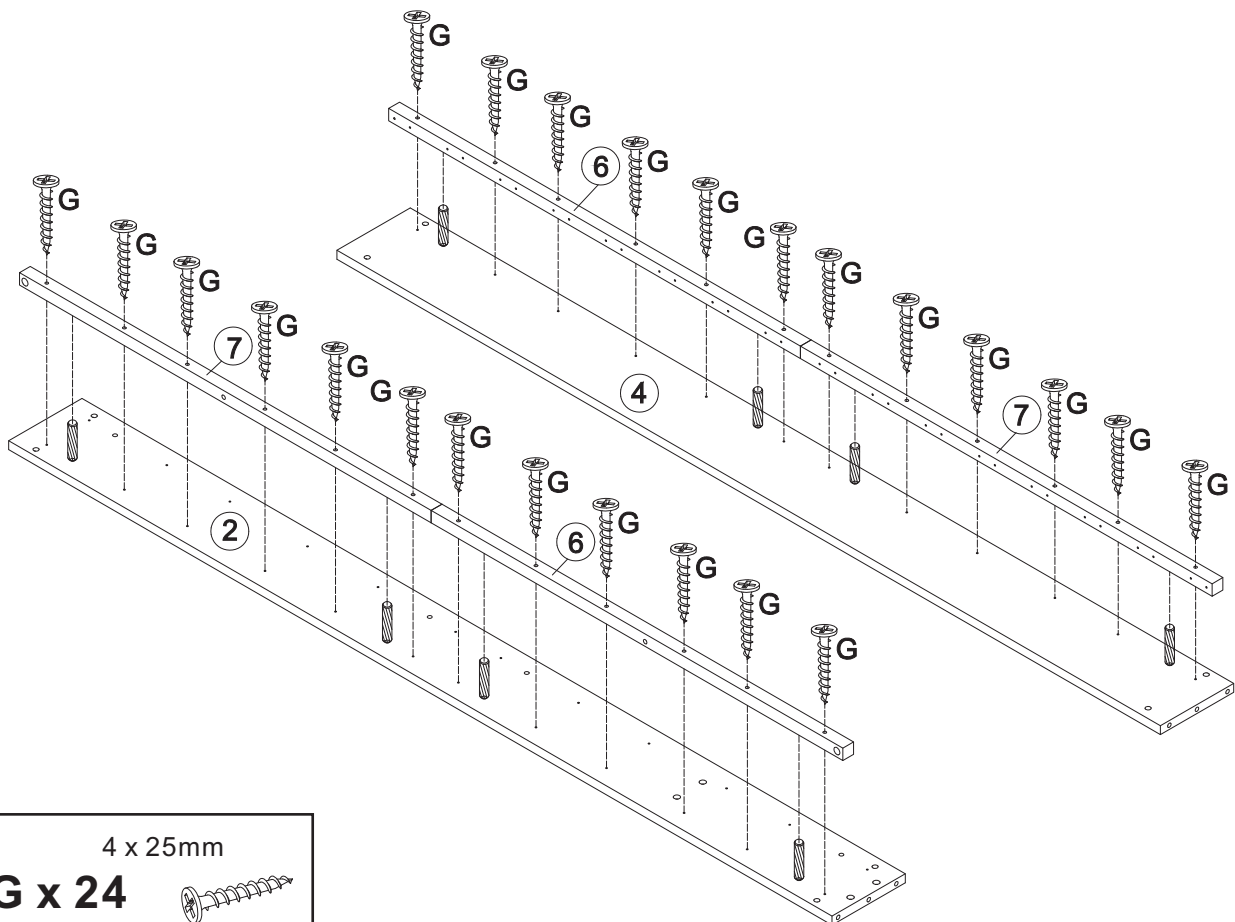


5



5 x 20mm  
**K x 8**

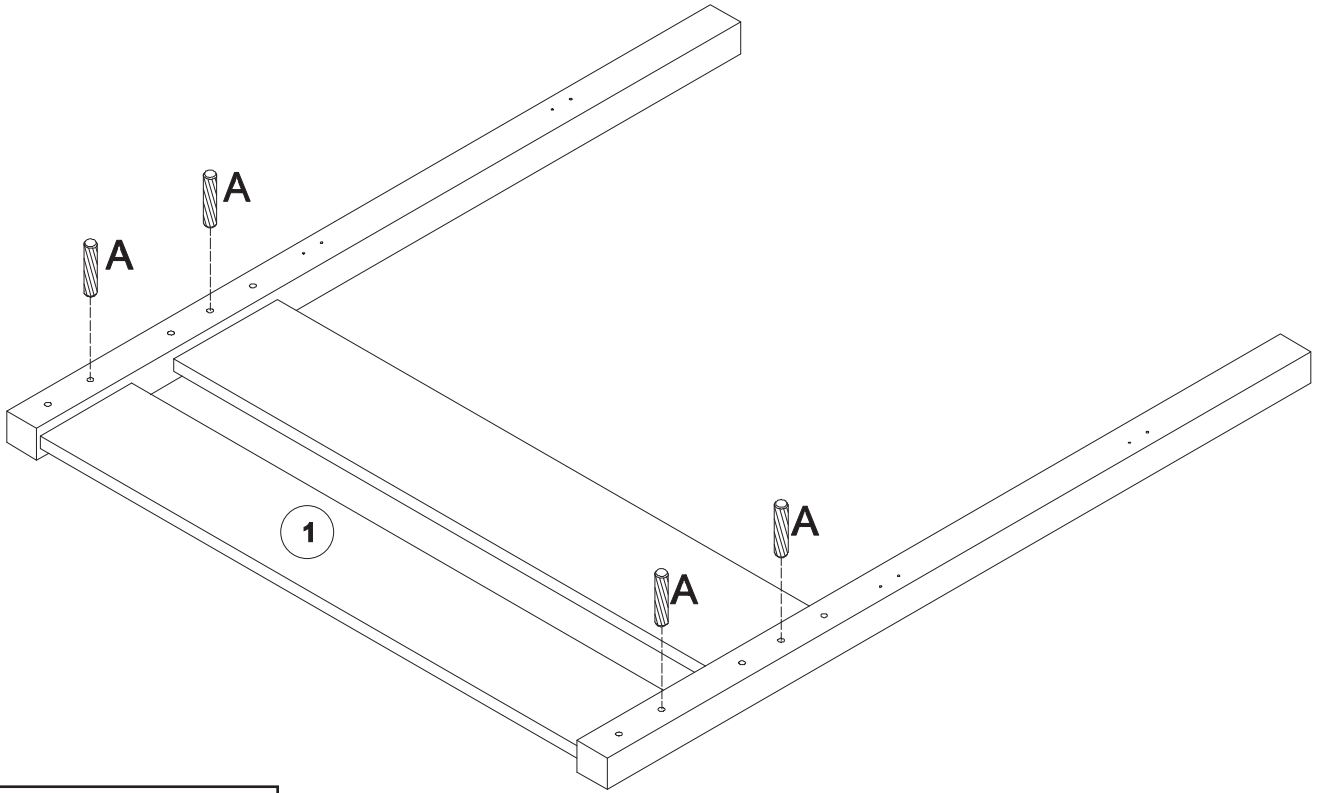
6



4 x 25mm  
**G x 24**



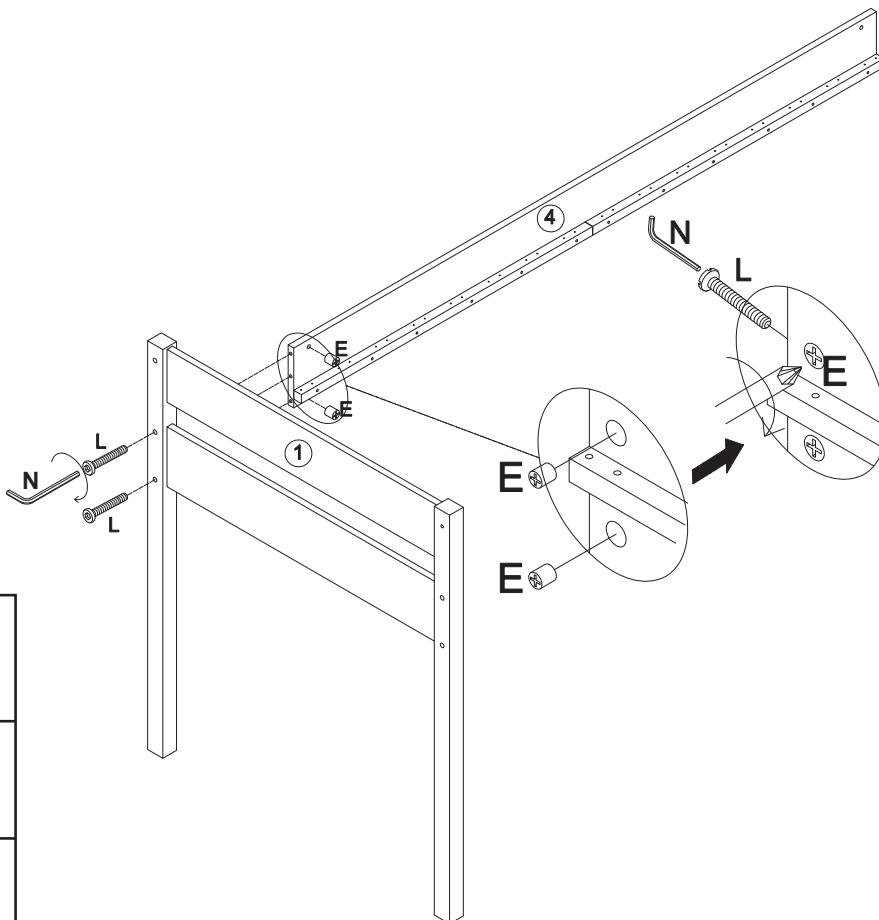
7




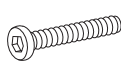

**A x 8** 8 x 30mm  



x 2

8

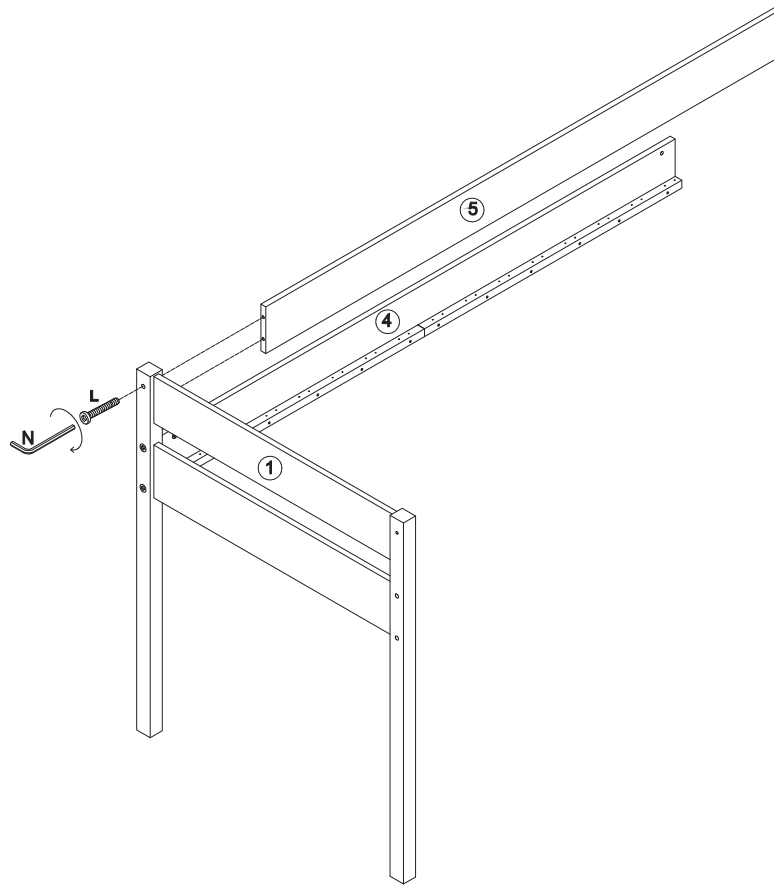


**E x 2** 8mm  


**L x 2** 8 x 89mm  


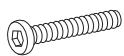
**N x 1** M5mm  


9

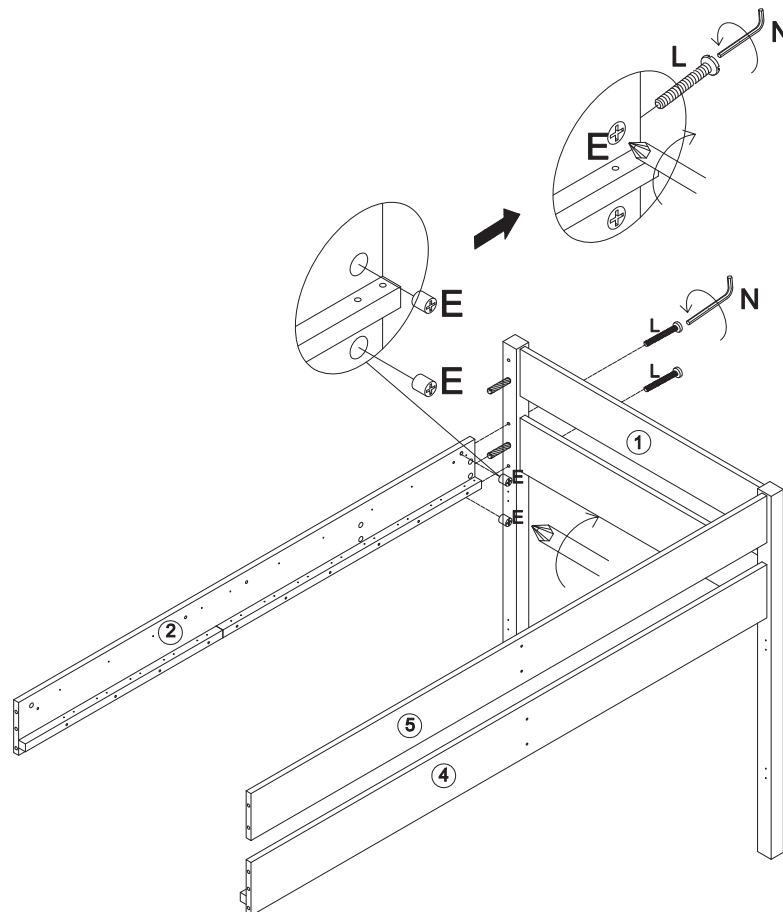


8 x 89mm

**L x 1**



10



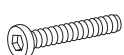
8mm

**E x 2**

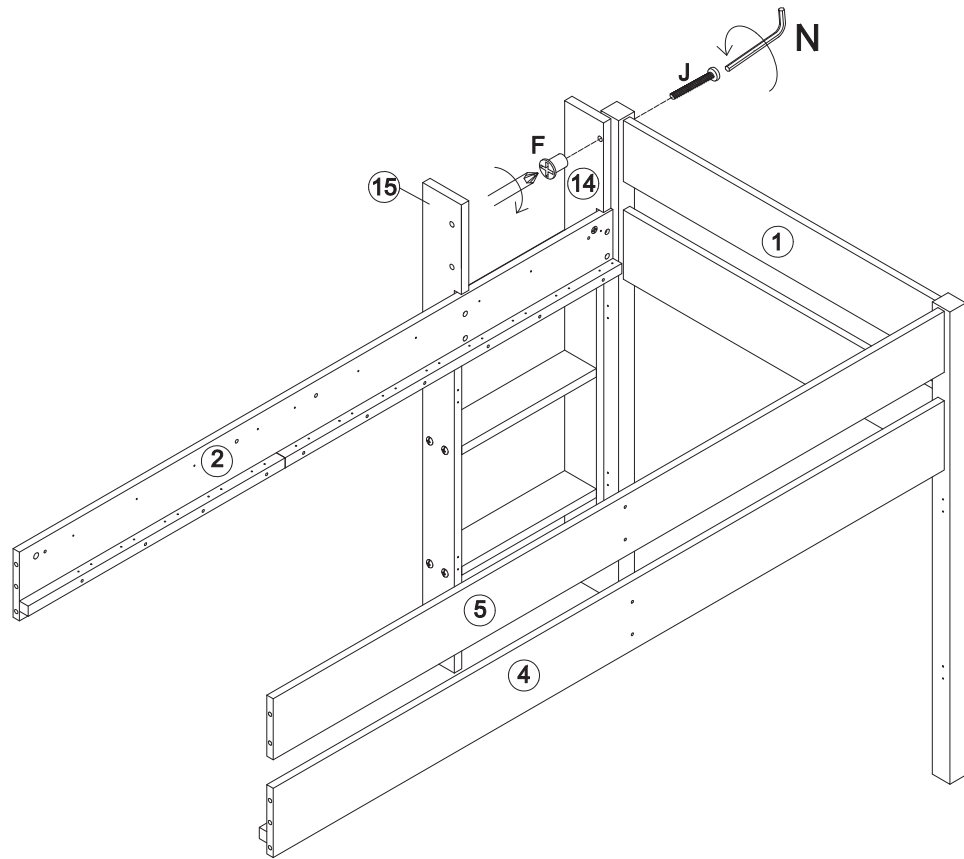


8 x 89mm

**L x 2**



11



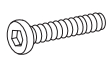
8 x 12mm

**F x 1**

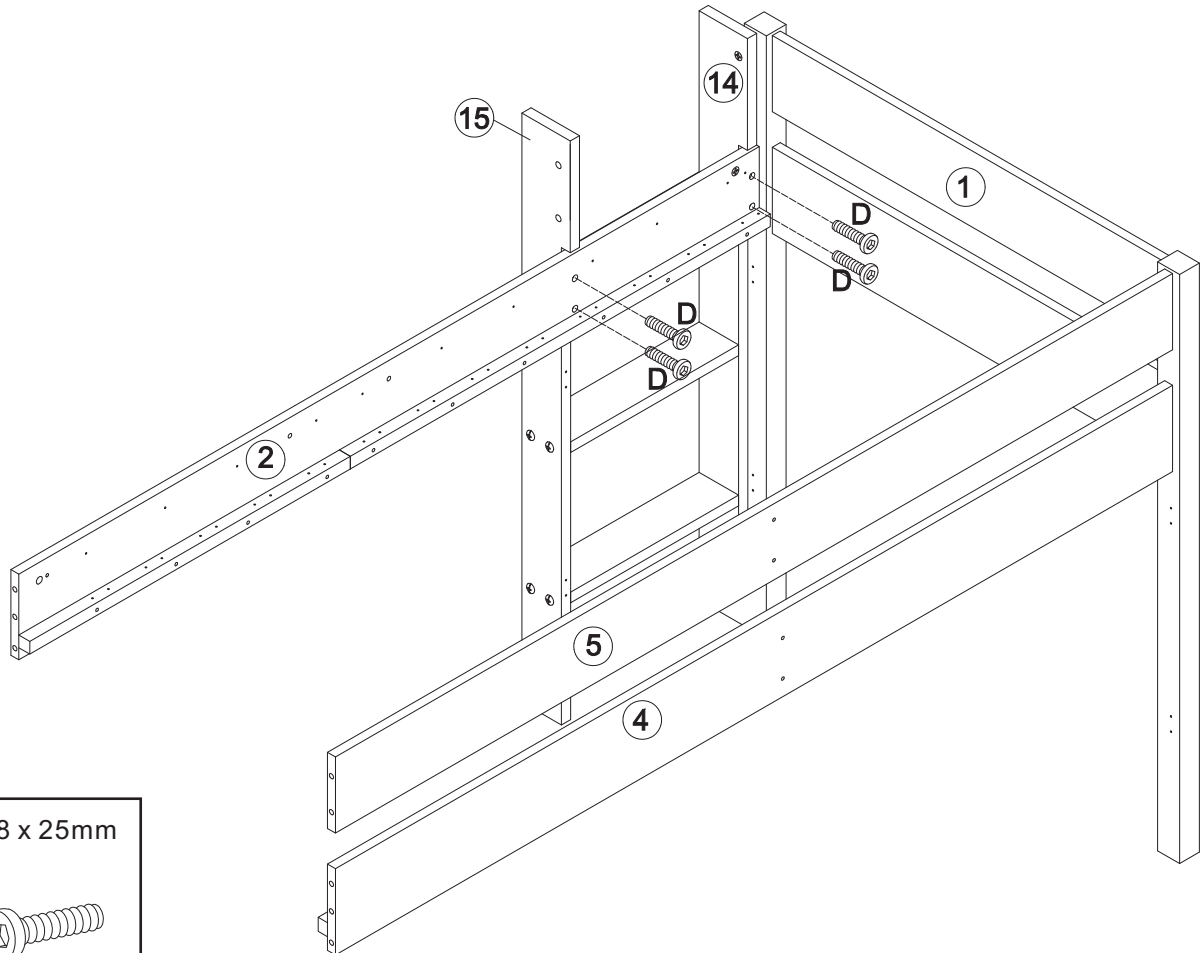


8 x 50mm

**J x 1**



12

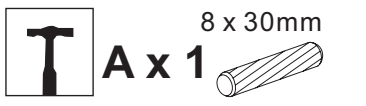
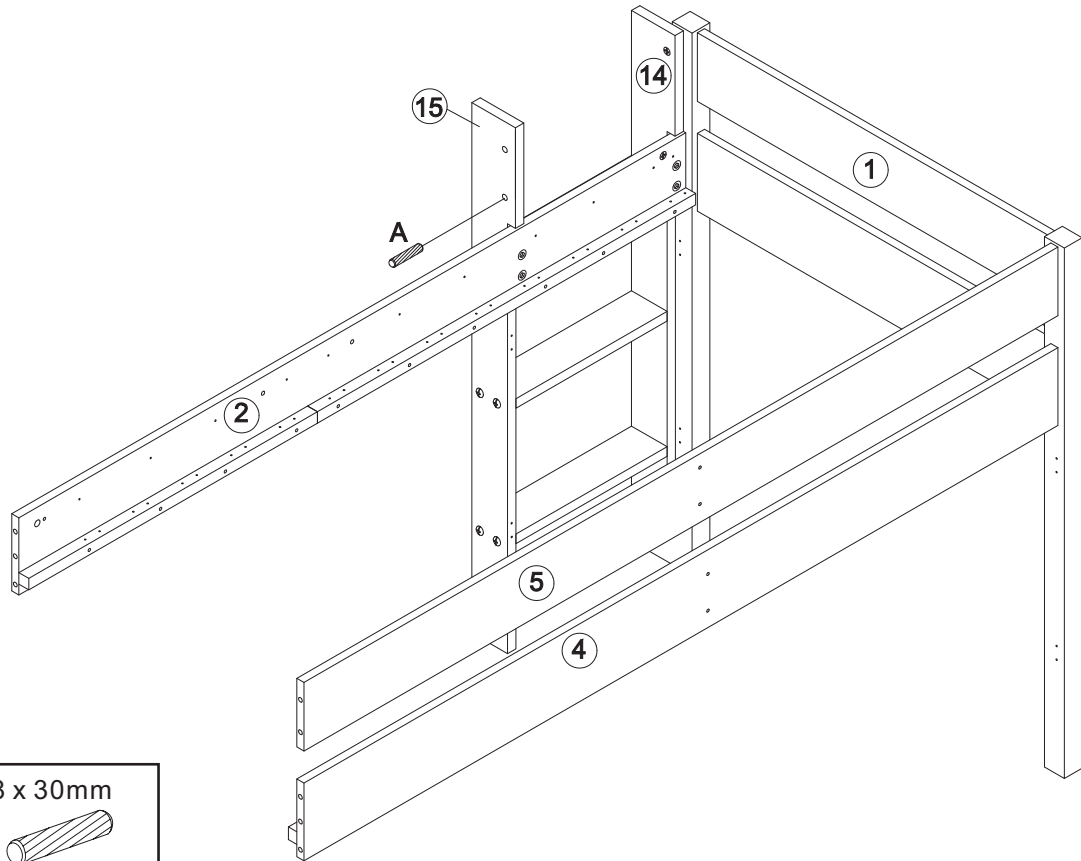


8 x 25mm

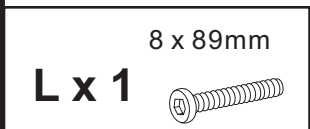
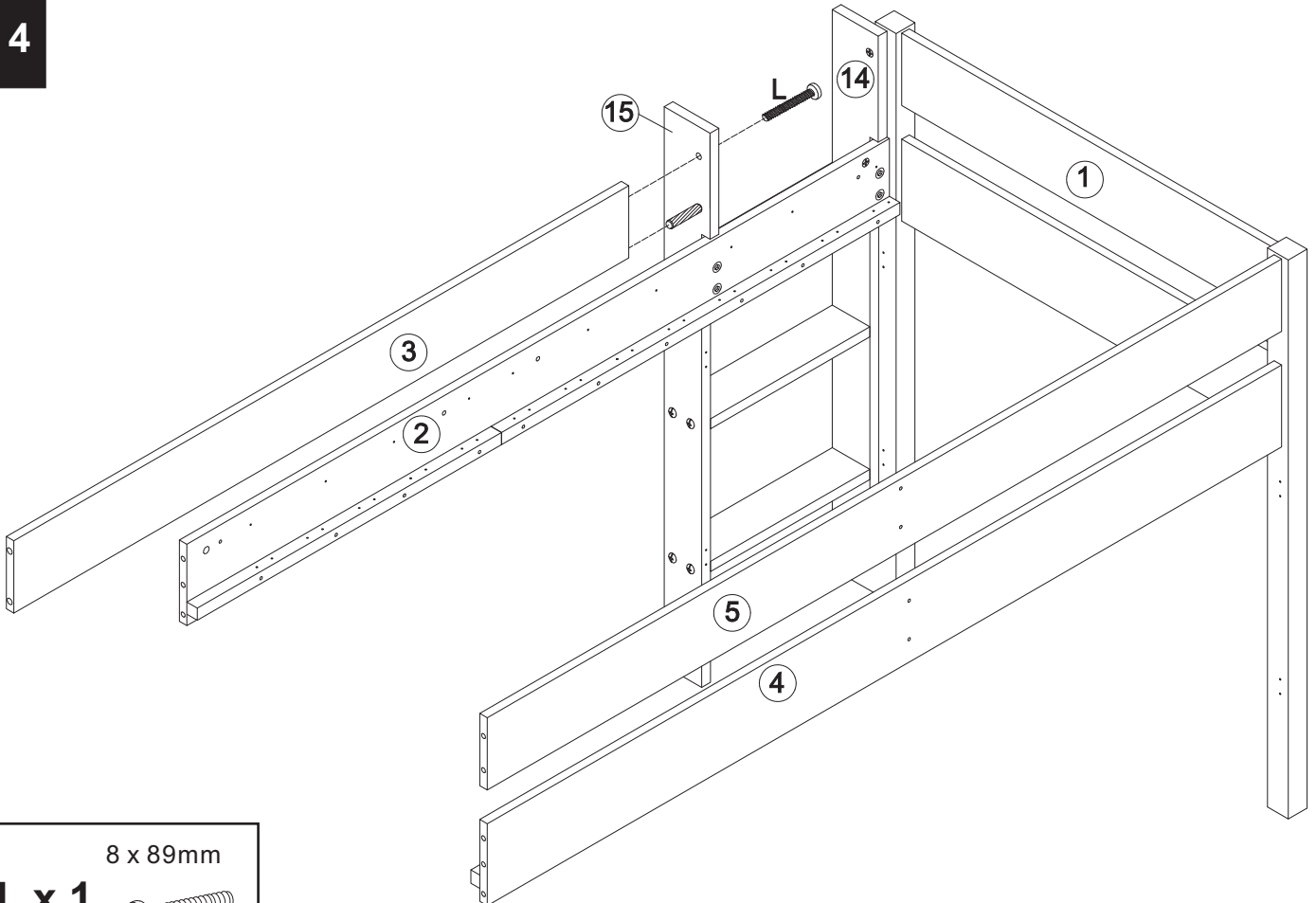
**D x 4**



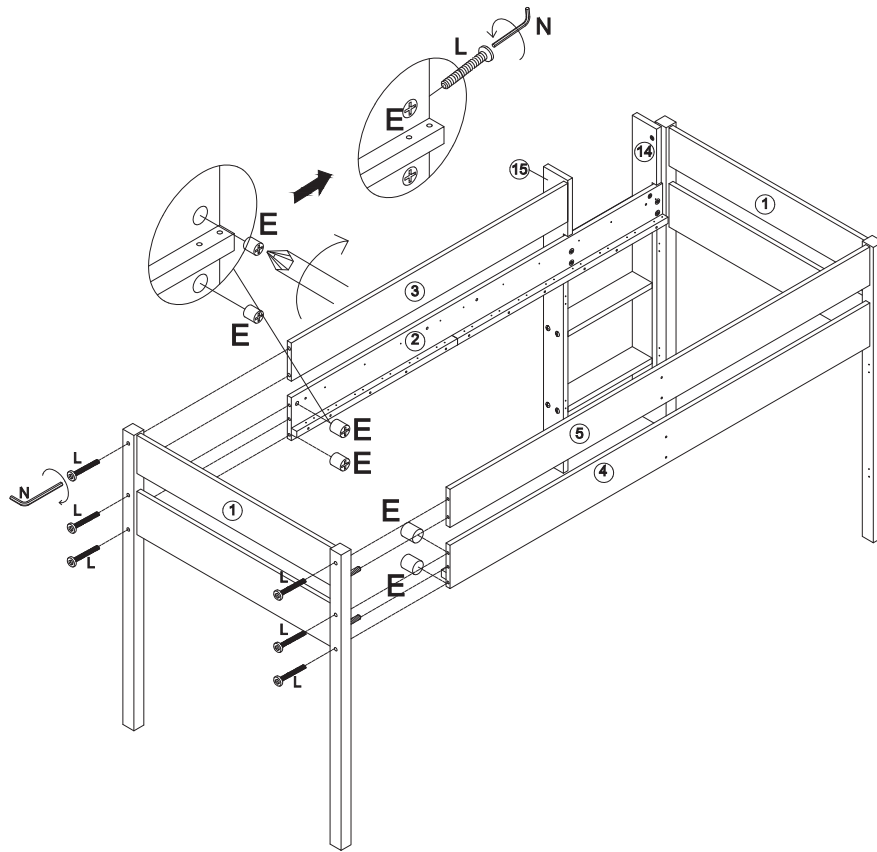
13



14



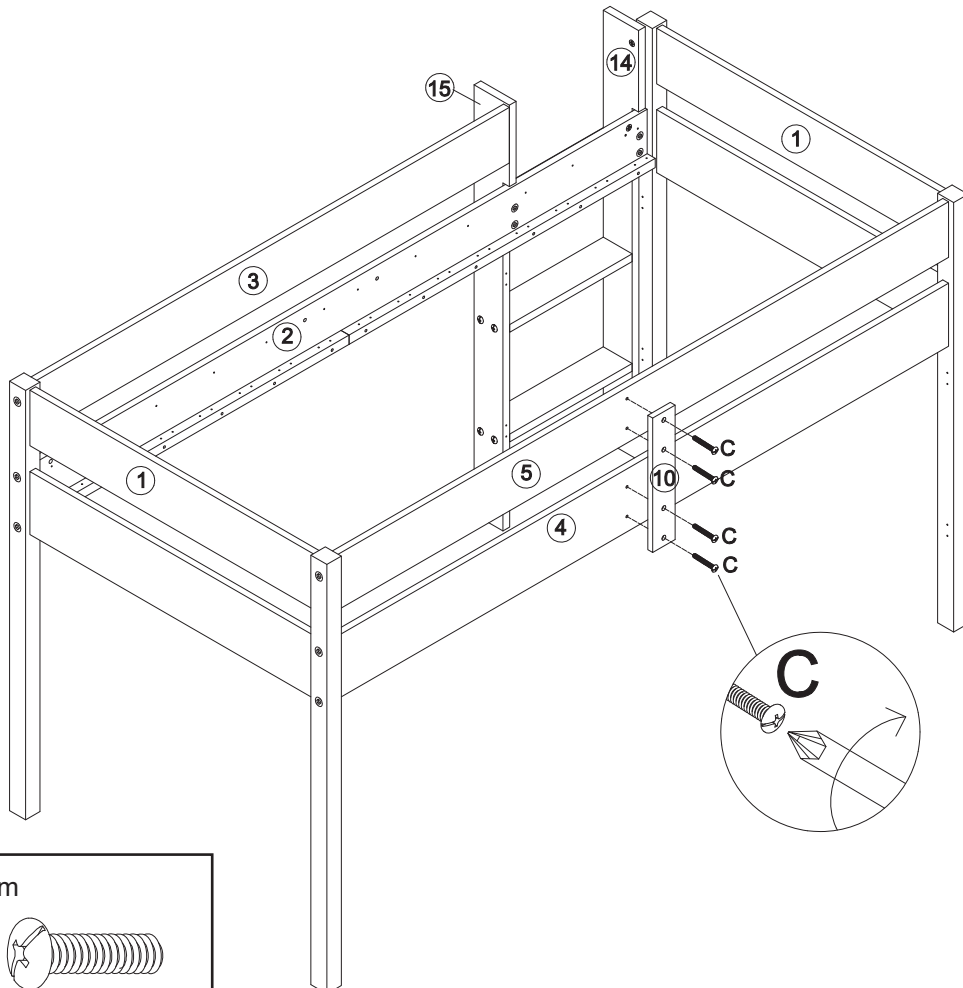
15



8mm  
**E x 4**

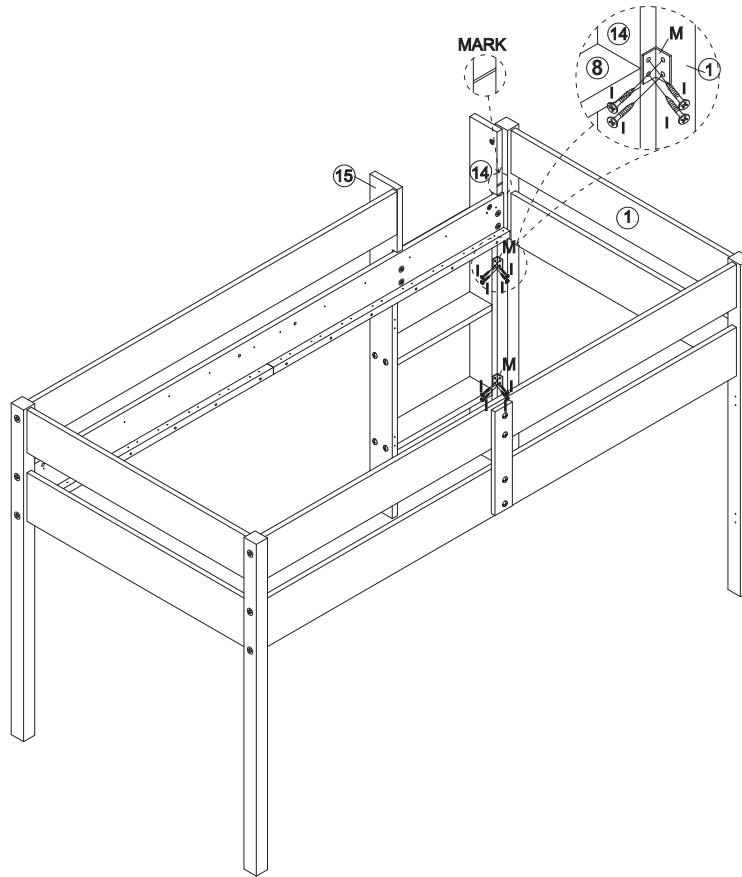
8 x 89mm  
**L x 6**



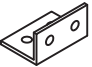
16



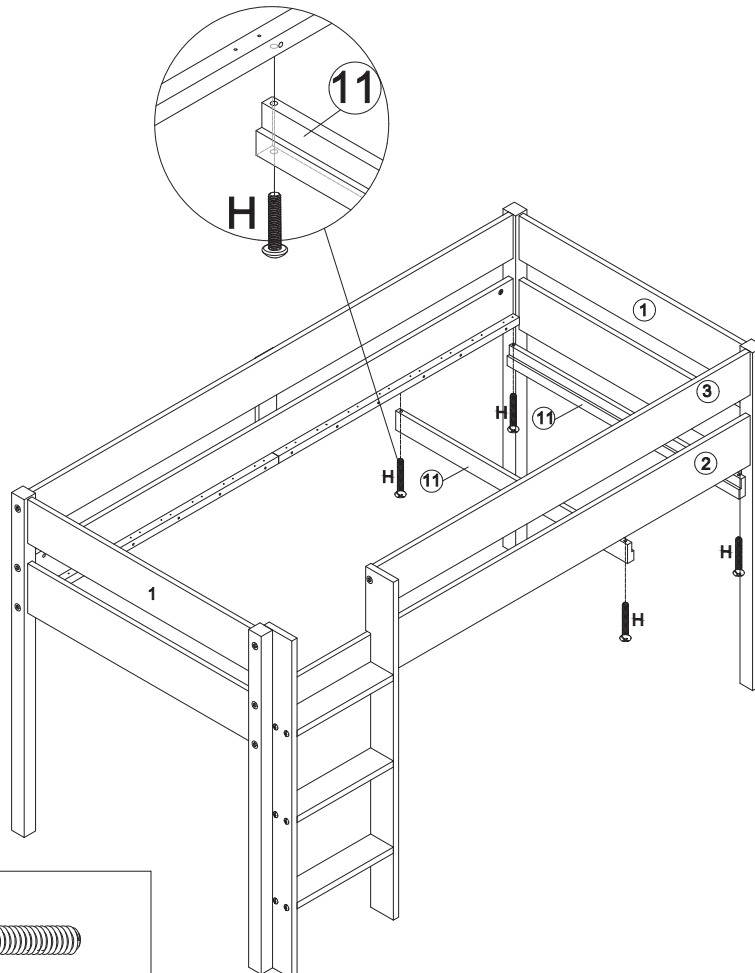
6 x 22mm  
**C x 4**


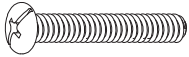
17



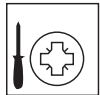
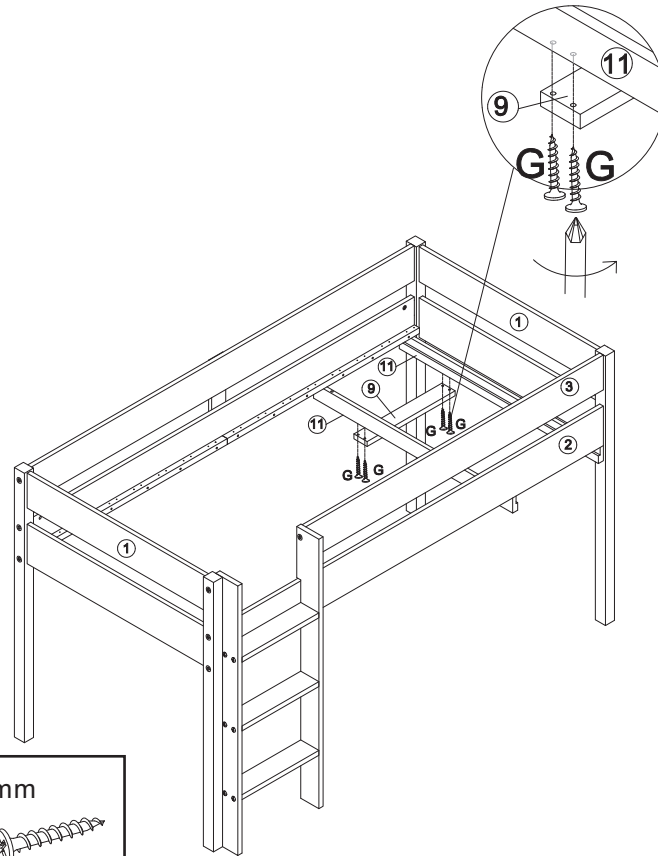
|  |   |  |
|--|---|--|
|  | 3 x 15mm  |  |
| <b>I x 8</b>   |   |  |
|  | 22 x 22 x 39mm  |  |
| <b>M x 2</b>   |  |  |

18



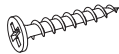
|  |          |   |
|--|----------|---|
|  | 6 x 50mm |  |
| <b>H x 4</b>   |          |   |

19

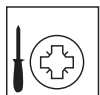
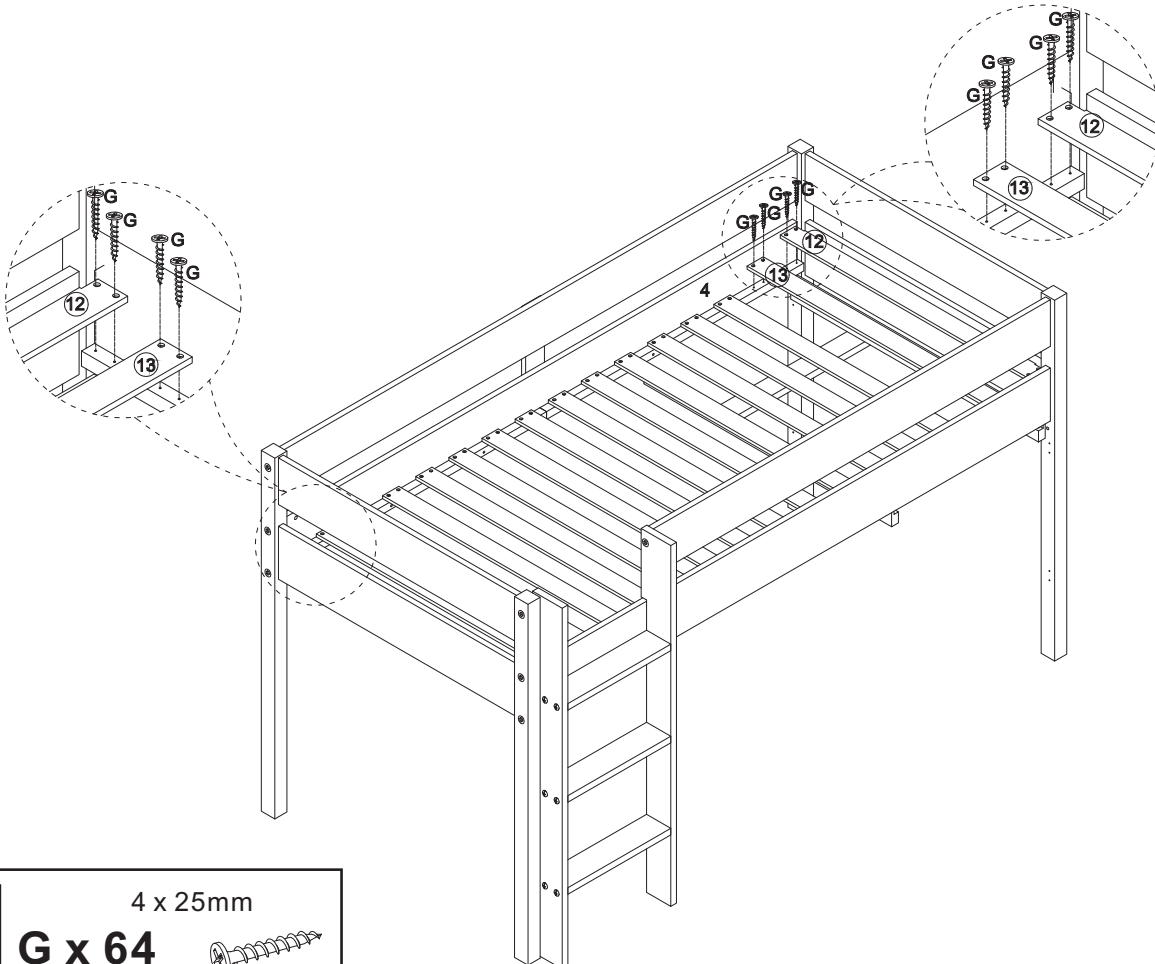


4 x 25mm

**G x 4**

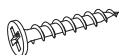


20



4 x 25mm

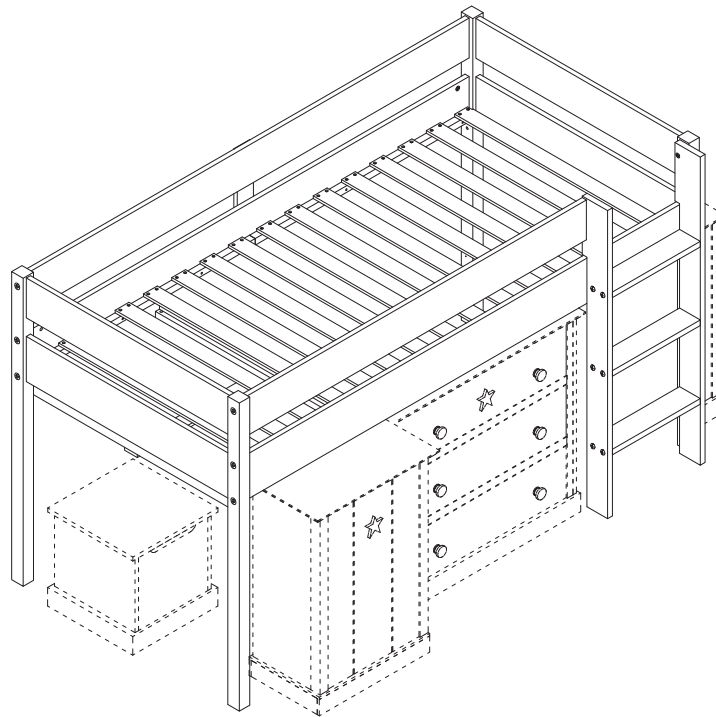
**G x 64**



21

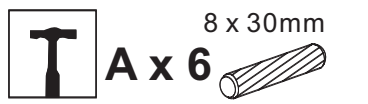
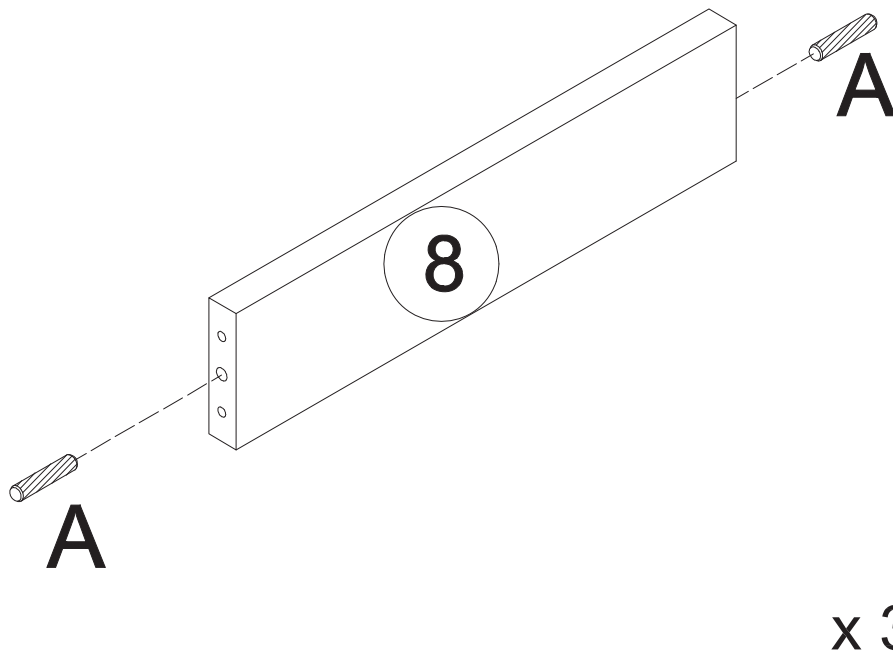
**!ATTENTION!**

**!ATTENTION!**



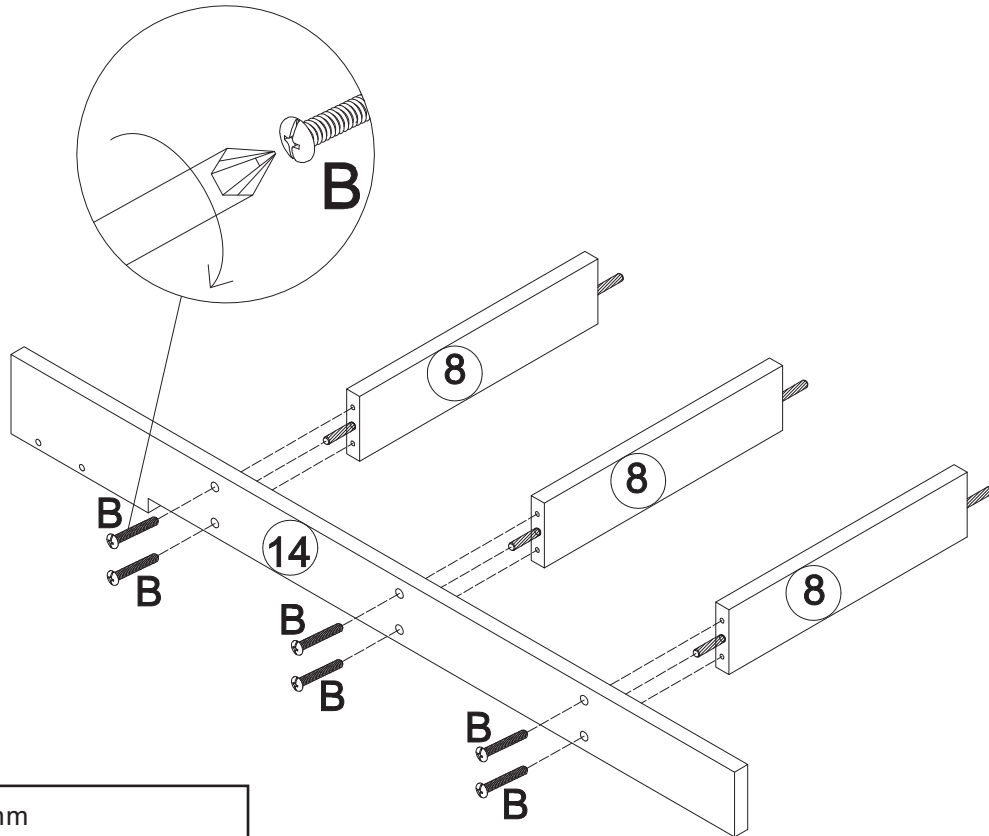
To assemble the bed with ladder on RIGHT side please go to STEP 22 to 40.

22





23

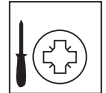
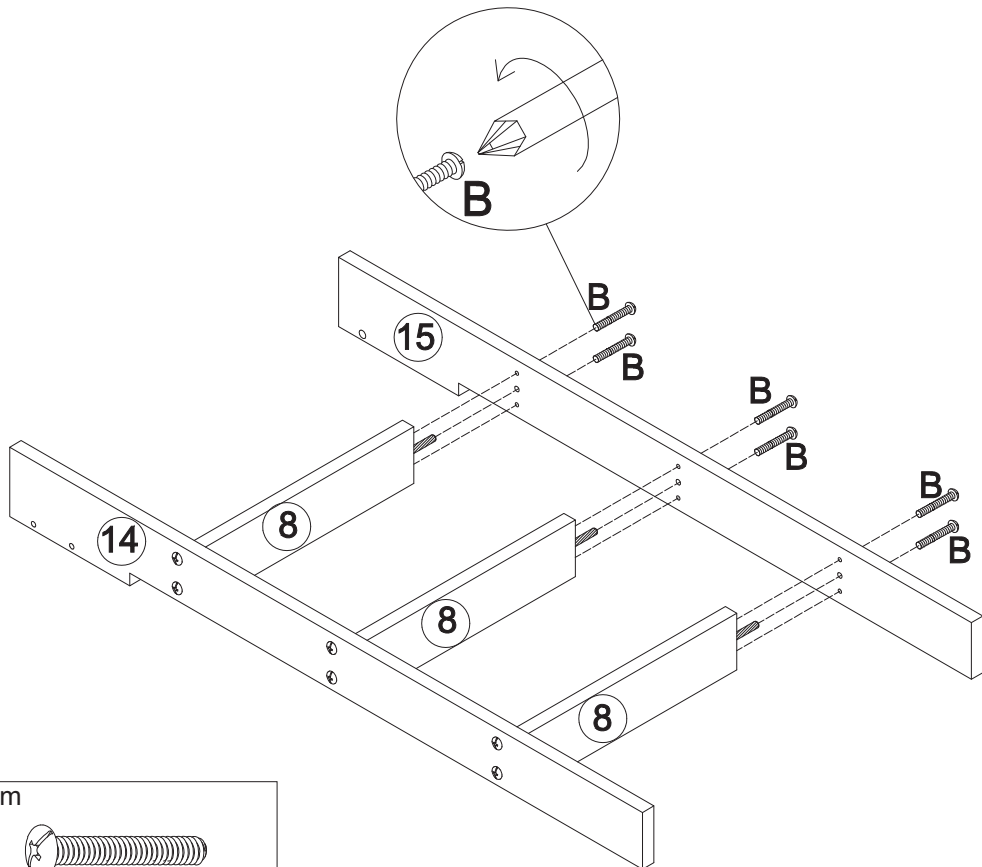


6 x 38mm

**B x 6**

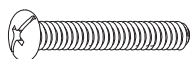


24

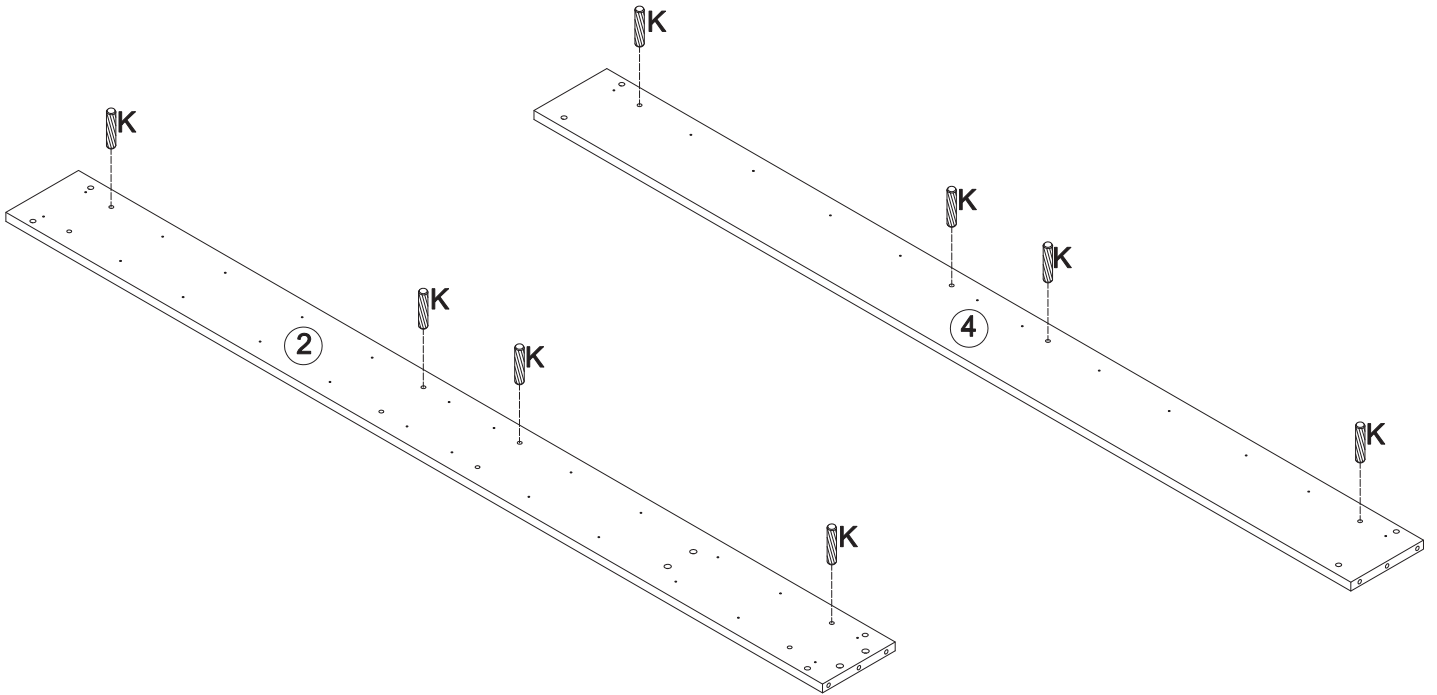


6 x 38mm

**B x 6**

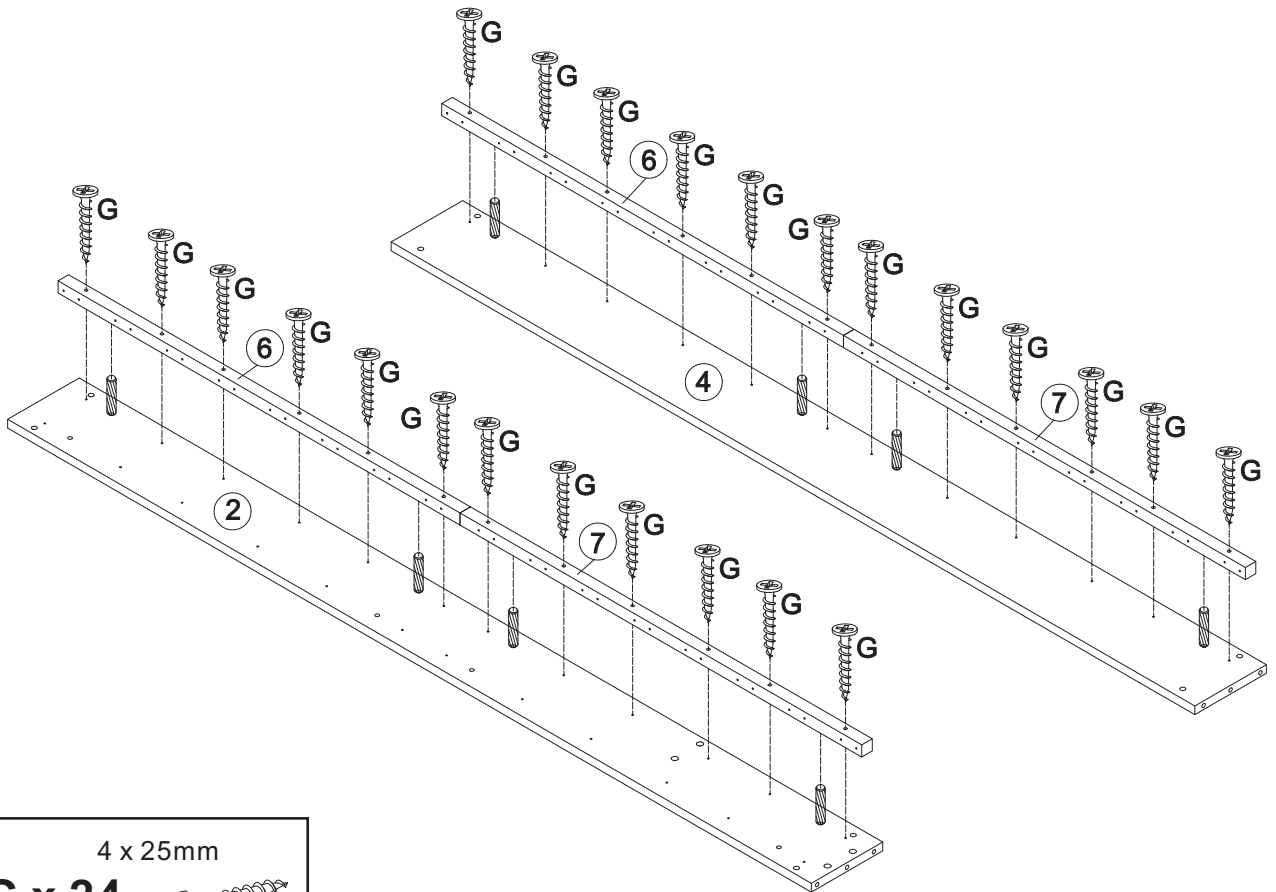


25



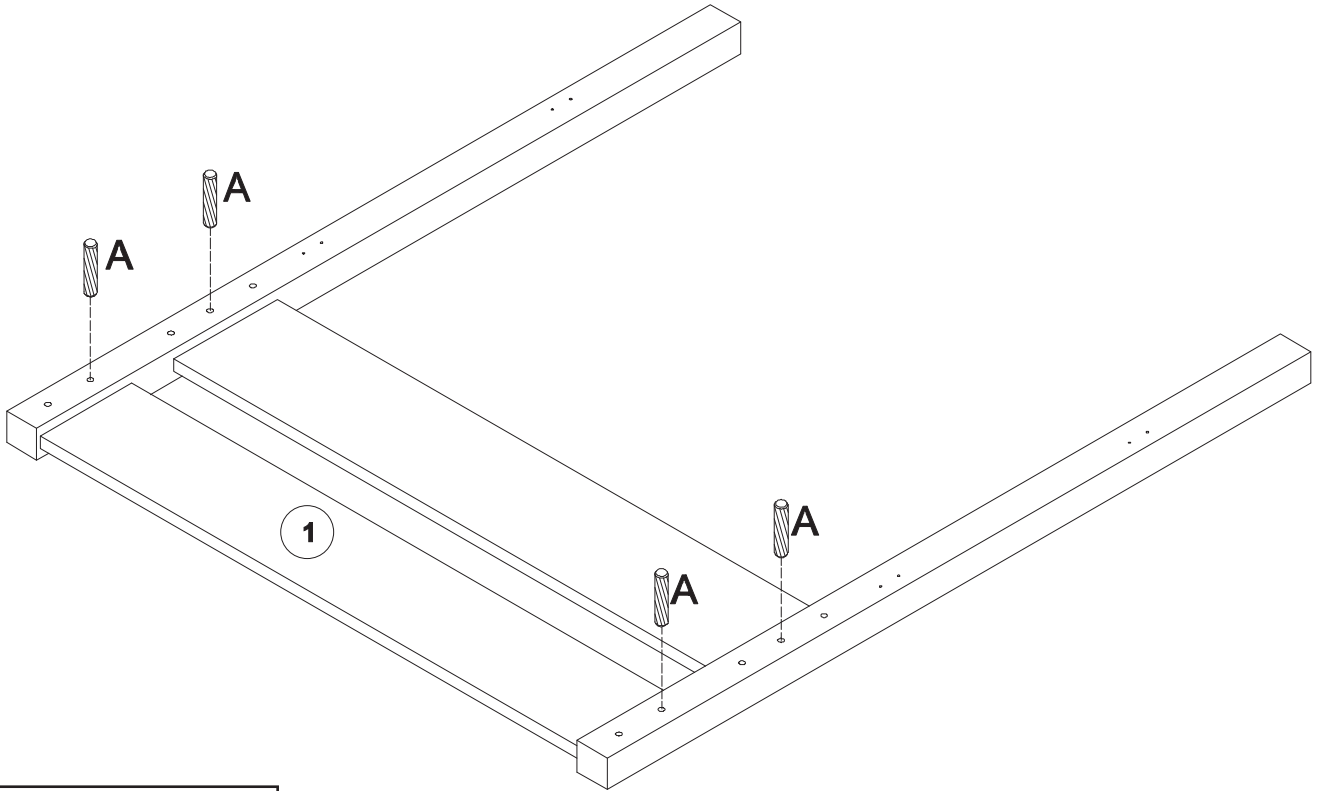
5 x 20mm  
**K x 8**



26



4 x 25mm  
**G x 24**

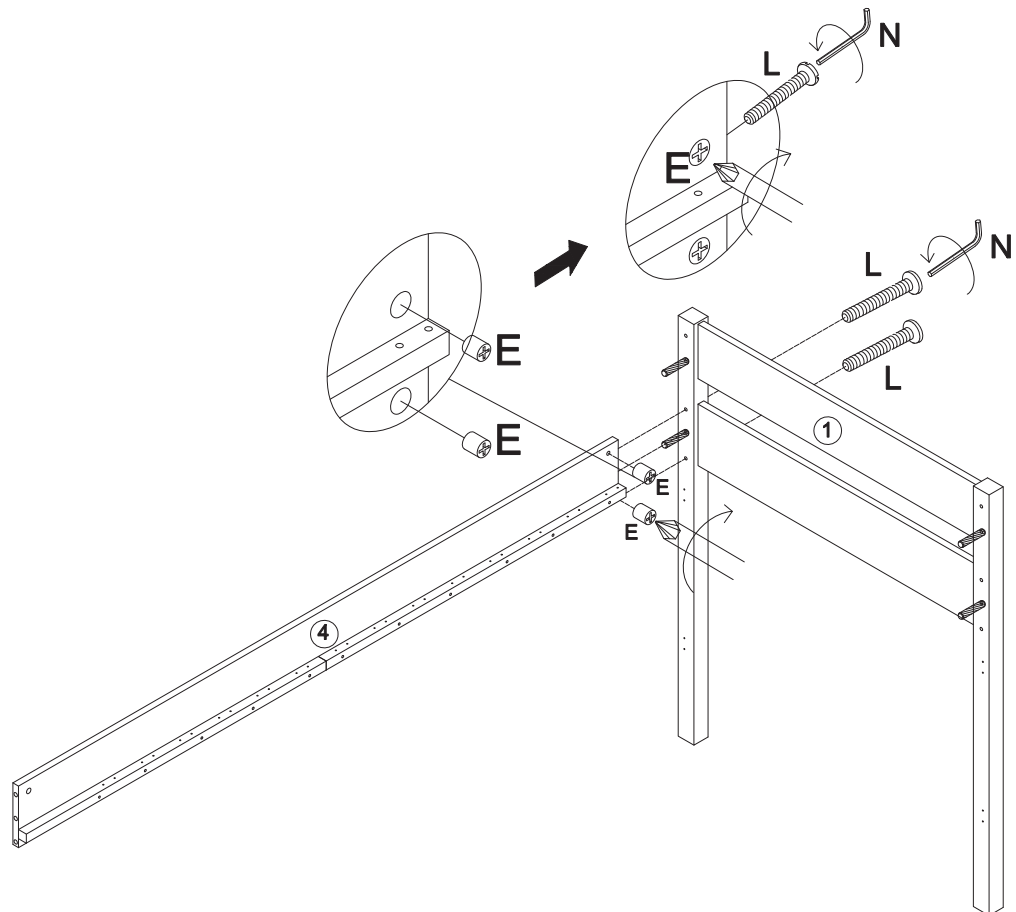
27




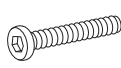

**A x 8** 8 x 30mm  



x 2

28

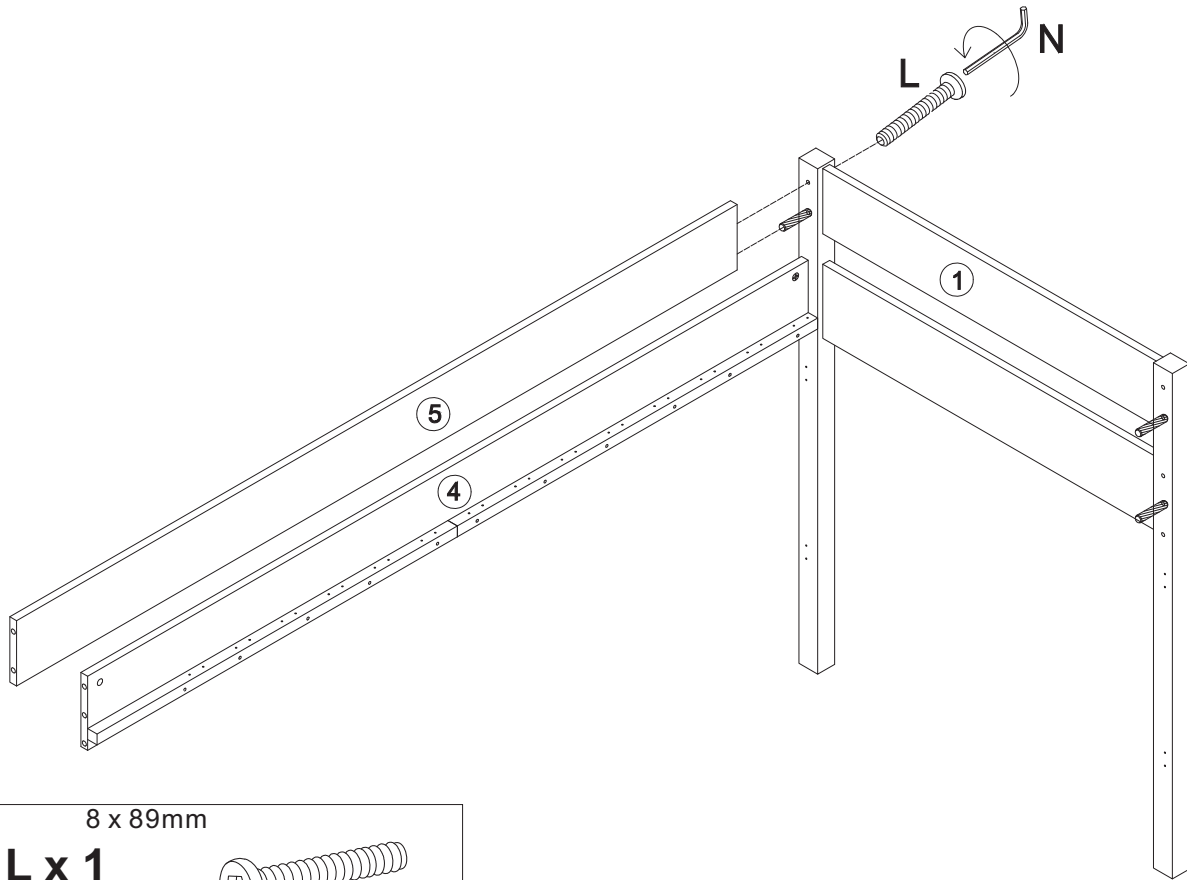


**E x 2** 8mm  


**L x 2** 8 x 89mm  


**N x 1** M5mm  


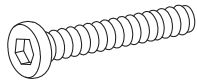
29



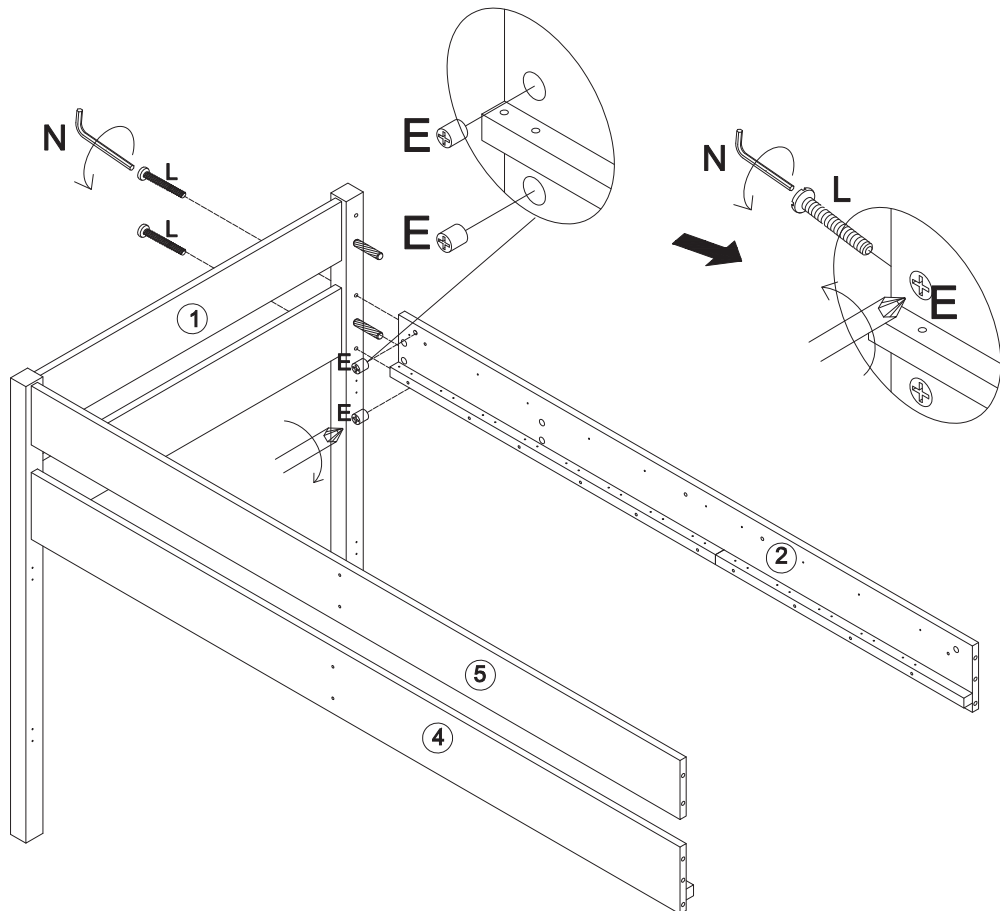
8 x 89mm



L x 1



30



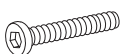
8mm

E x 2

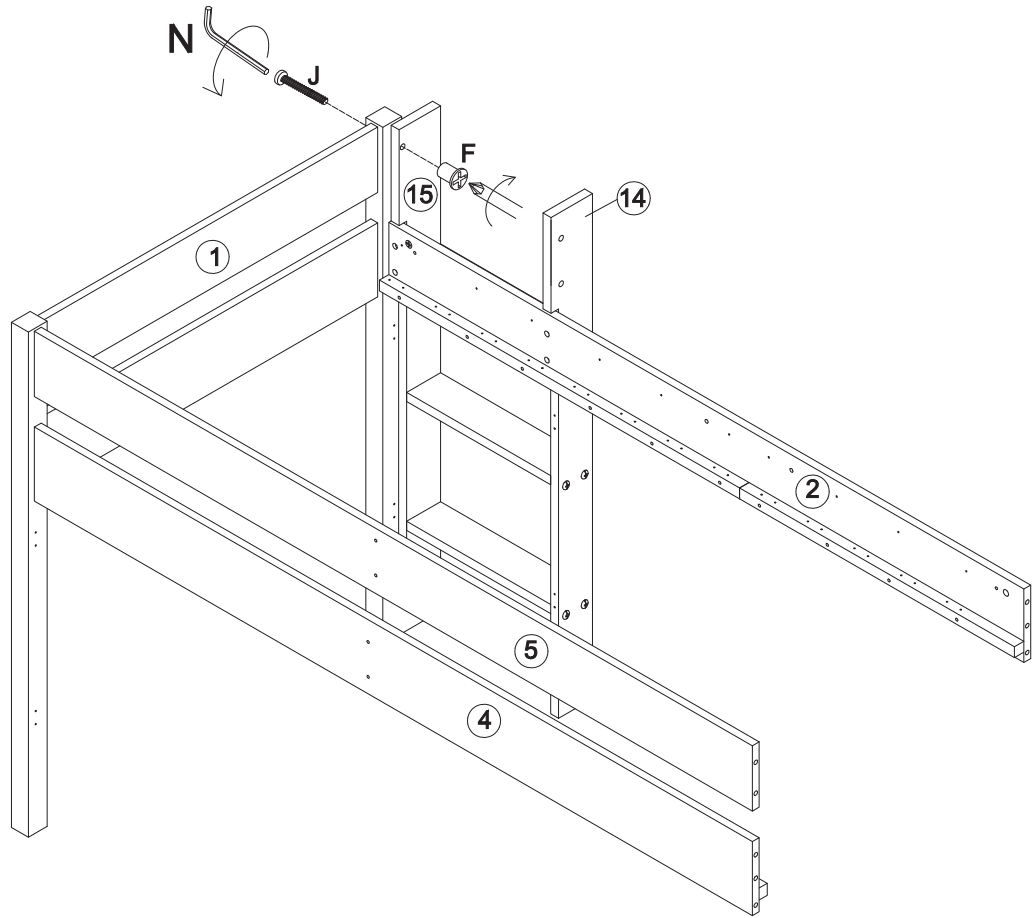


8 x 89mm

L x 2

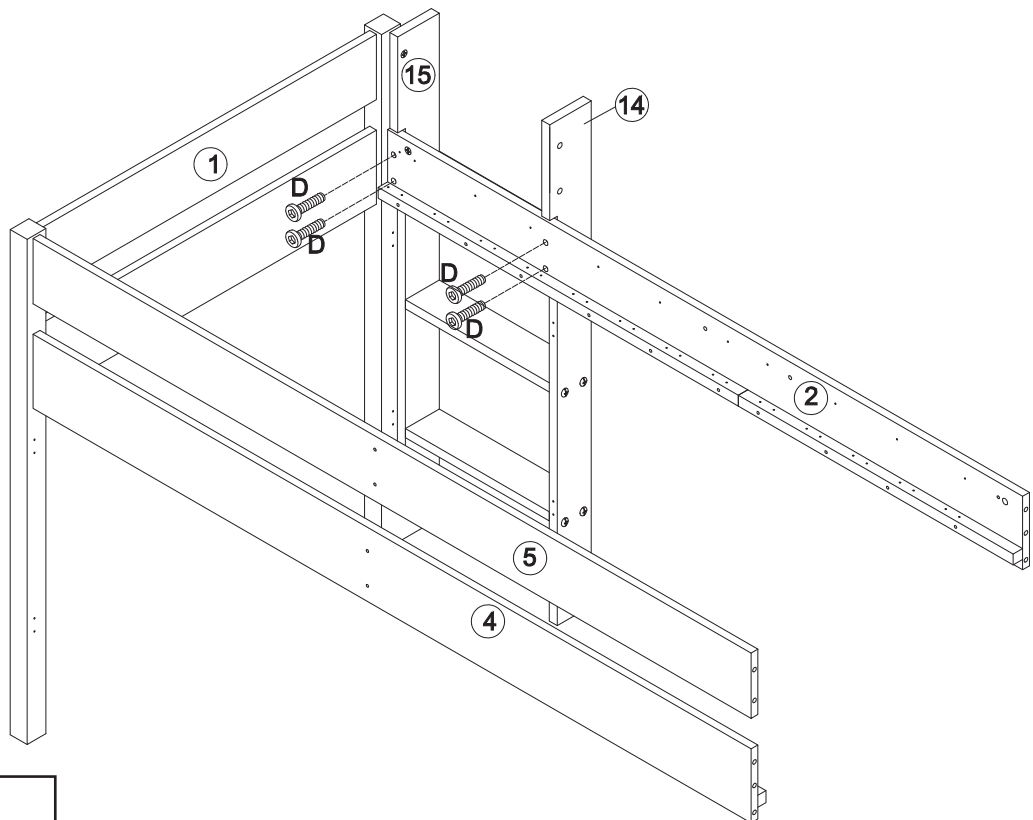


31



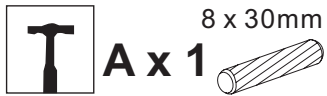
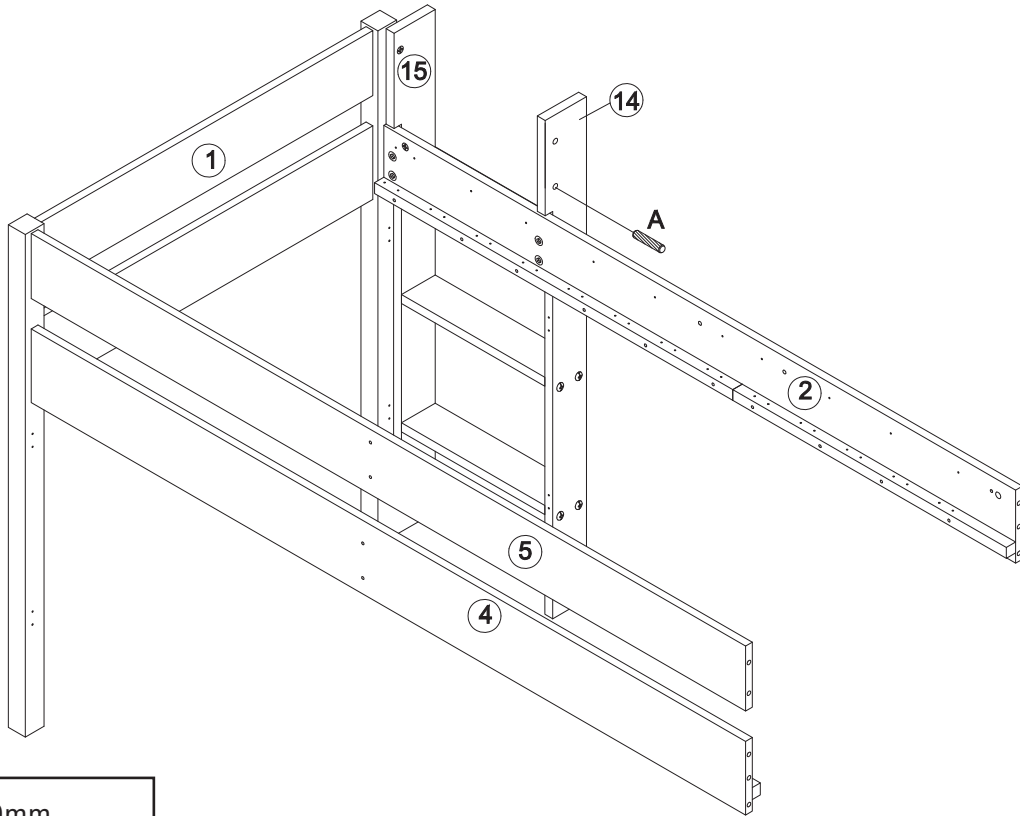
|              |          |  |
|--------------|----------|--|
| <b>F x 1</b> | 8 x 12mm |  |
| <b>J x 1</b> | 8 x 50mm |  |

32

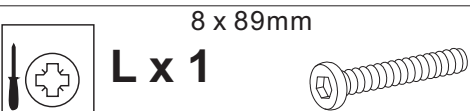
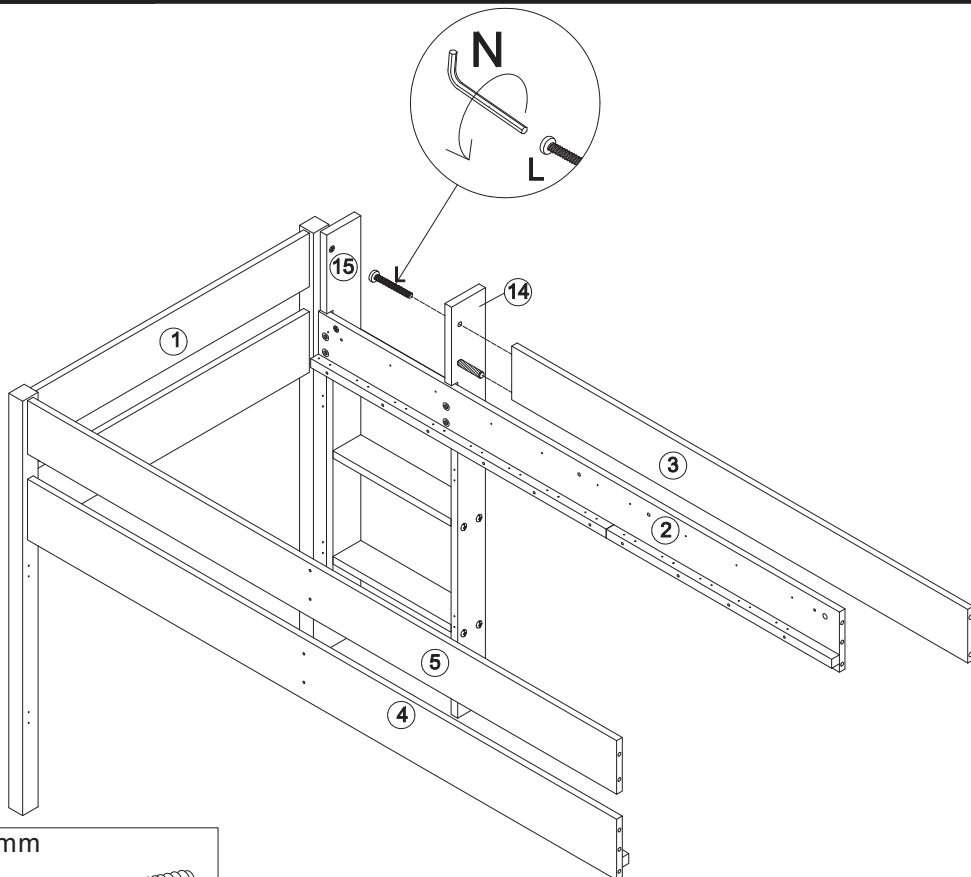


|              |          |  |
|--------------|----------|--|
| <b>D x 4</b> | 8 x 25mm |  |
|--------------|----------|--|

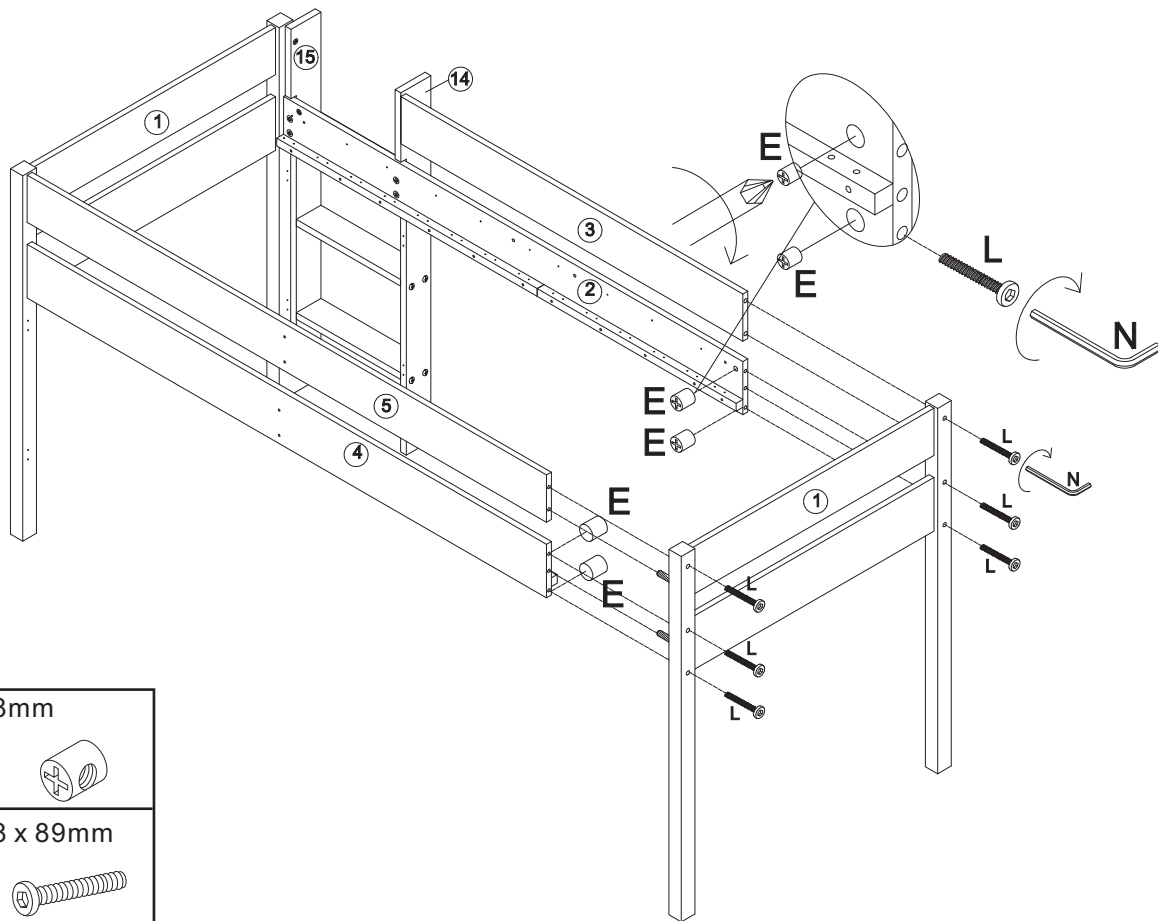
33



34



35



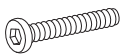
8mm

**E x 4**

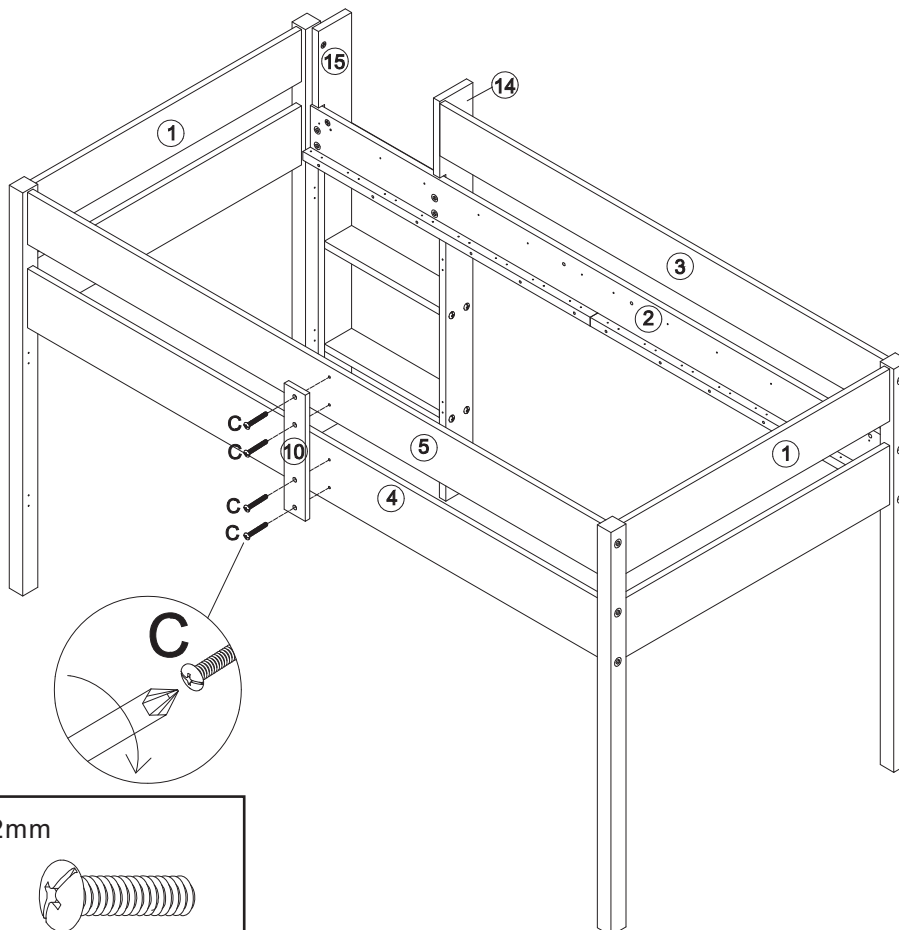


8 x 89mm

**L x 6**

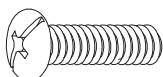


36

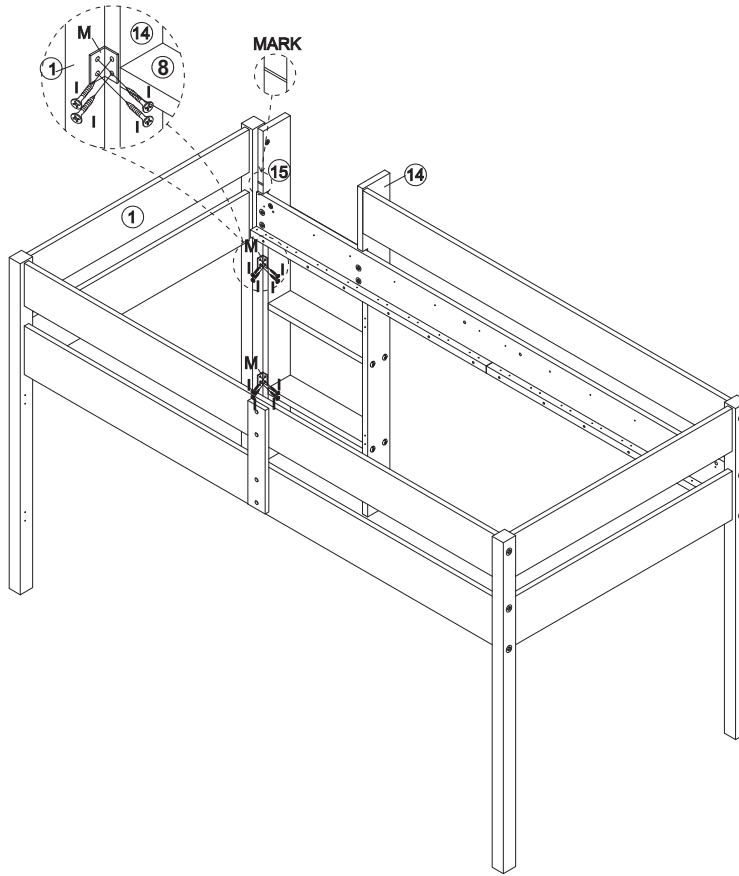




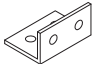
6 x 22mm

**C x 4**

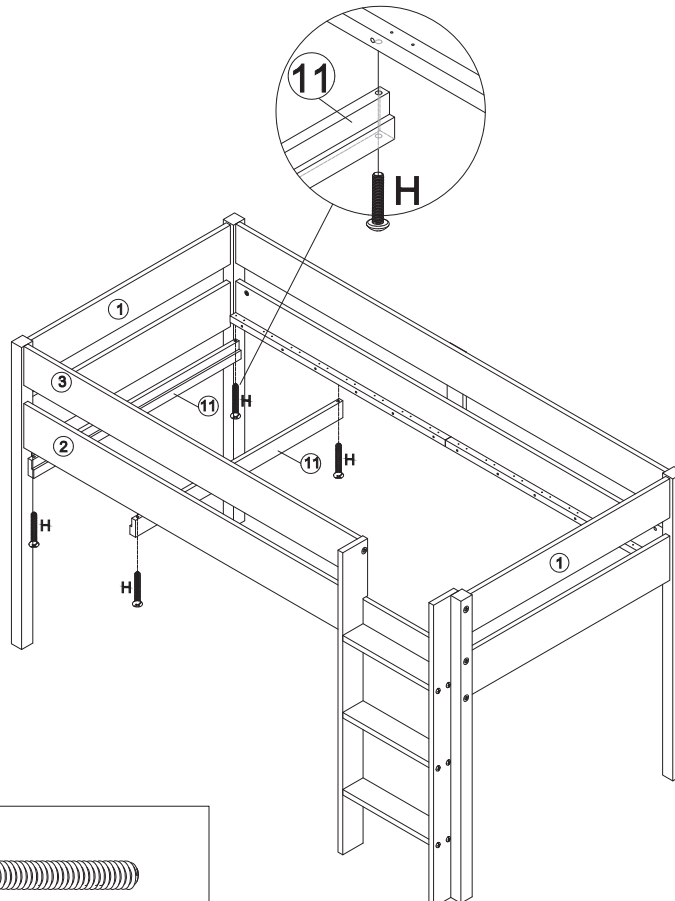




37



|   |   |  |
|---|---|--|
|  | 3 x 15mm  |  |
| <b>I x 8</b>  |   |  |
|   | 22 x 22 x 39mm  |  |
| <b>M x 2</b>  |  |  |

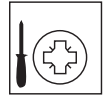
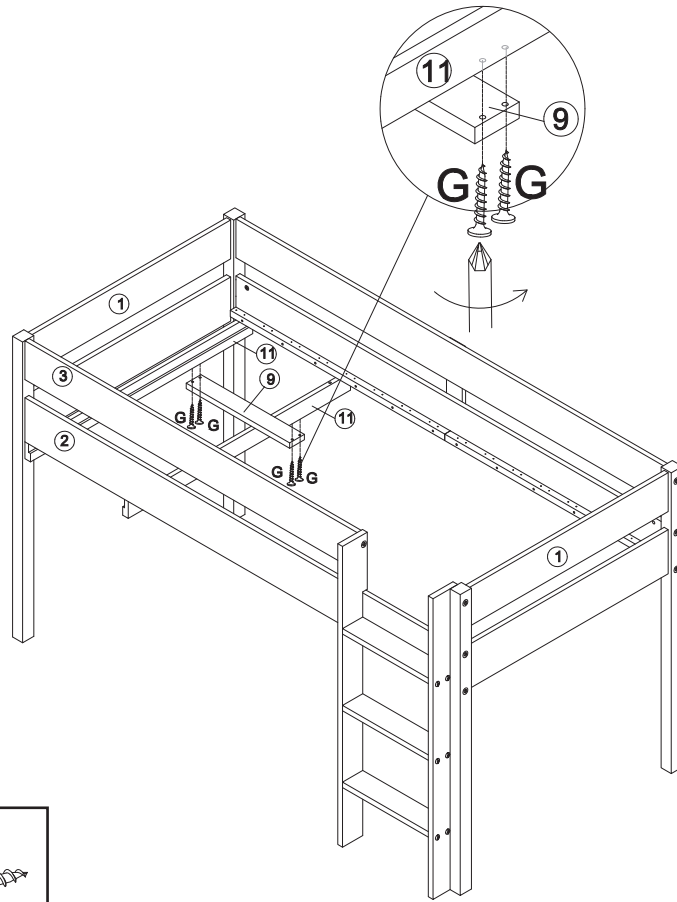
38



|  |          |   |
|--|----------|---|
|  | 6 x 50mm |  |
| <b>H x 4</b>   |          |   |

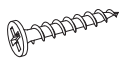


39

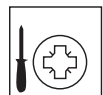
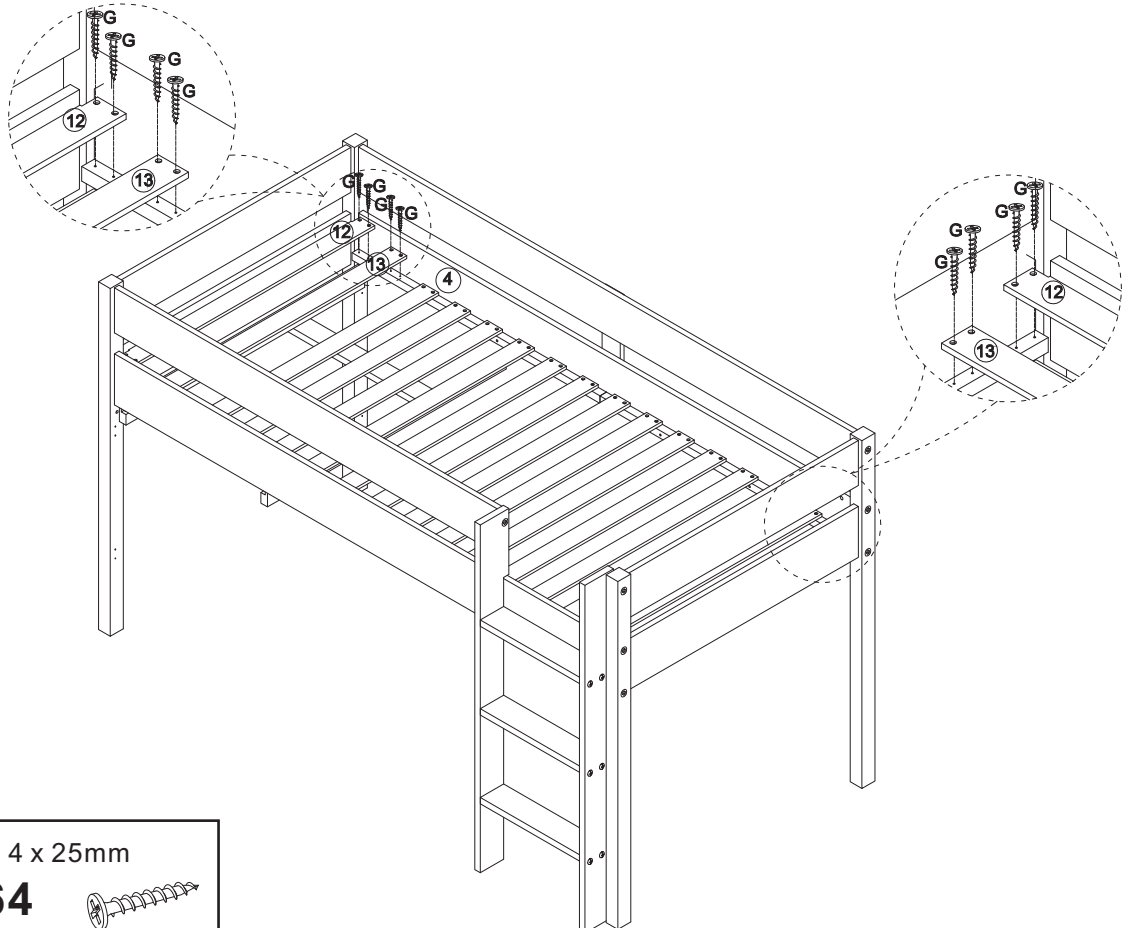


4 x 25mm

**G x 4**

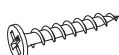


40



4 x 25mm

**G x 64**



Actual product size

H82 x W204.5 X D104cm

