

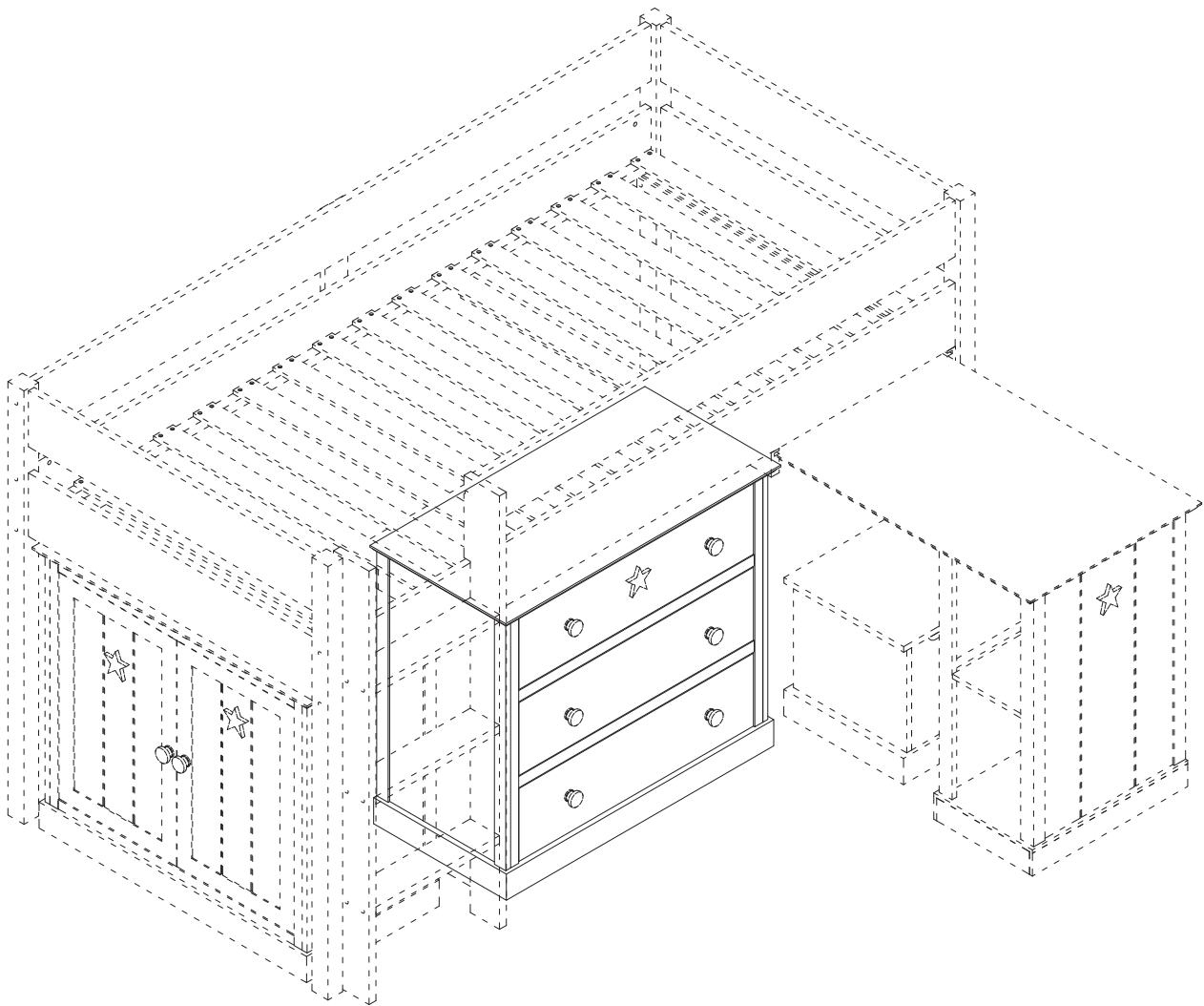
next

HEART AND STARS CABIN STATION (CHEST)

681451

Assembly instructions

Actual product size
H75 x W85 X D42cm



Need Help?

With: Assembly instructions
Missing or damaged parts

CALL: 0333 777 8999

**IMPORTANT - RETAIN FOR FUTURE REFERENCE -
READ CAREFULLY**

BEFORE YOU START

This child's bed conforms to BS EN 747-1:2012

WARNINGS

Routinely check that the upper safety rail and ladder attachment is secure and tighten any fittings using the appropriate tools

All assembly fittings shall always be tightened properly.

Screws shall not be loose because a child can squeeze parts of the body, or clothing (e.g. strings, necklaces, ribbons for babies, dummies, etc.) could get caught. There would be danger of strangulation.

WARNING: Children can become trapped between the bed and the wall. To avoid risk of serious injury the distance between the top safety barrier and the wall shall not exceed 75mm or shall be more than 230mm.

WARNING: Do not use this child's bed if any part is broken, torn or missing

WARNING: High beds and the upper bed of bunk beds are not suitable for children under six years due to risk of injury from falls

Do not leave items such as ropes, strings, cords, harnesses and belts attached to or hung to the bunk/high bed due to the risk of strangulation

Children are likely to play, bounce, jump and climb on the beds, therefore the child's bed should not be placed too close to other furniture or windows, and should be placed either tight to any wall or have a gap of 300mm between the wall and the side of the bed

Do's

We suggest you spend a short time reading through this leaflet before you start.

When you are ready to start, make sure that you have the right tools, plenty of space and a clean, dry area for assembly.

Carefully check that you have all the parts before beginning assembly.

Tools not included.

Due to the size of this product we recommend that it is assembled in the room intended for use.

To clean your item, wipe with soft cloth slightly dampened with water. Then buff with a dry clean cloth.

Unwrap all packaging materials and place the components on a clean surface to protect it from damage.

We recommend that the packaging is used to protect the surfaces during assembly

This bed is designed to be used with a mattress with the following dimensions H17 x W90 x D190cm.

Please ensure that the mattress depth does not go past the permanent mark on the post/Upper Safety Barrier

Please periodically check all fittings and re-tighten as necessary.

We recommend that the packaging is used to protect the surface during assembly.

Don'ts

Do not use power tools to construct this product.

Do not tighten screws until fully assembled.

Do not overtighten screws or bolts.

Do not drag or pull your furniture.

Do not use this product if parts are missing, damaged or worn.

Do not stand or jump on this product.

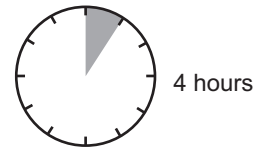
Do not use silicone based furniture polish. Silicone in furniture polishes can break down the lacquer finish.

Never allow any kind of liquid to remain on your furniture. Absorption can cause wood to warp or finishes to de-laminate.

Number of people required to assemble

We recommend three people assemble this product.

Time to assemble



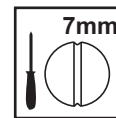
Tools required



not supplied



not supplied



not supplied

Missing parts

If you are missing any fixtures and fittings for your product please contact our customer service team on **0333 777 8999** and they will be happy to arrange for a replacement to be sent to you free of charge.

Home service technicians

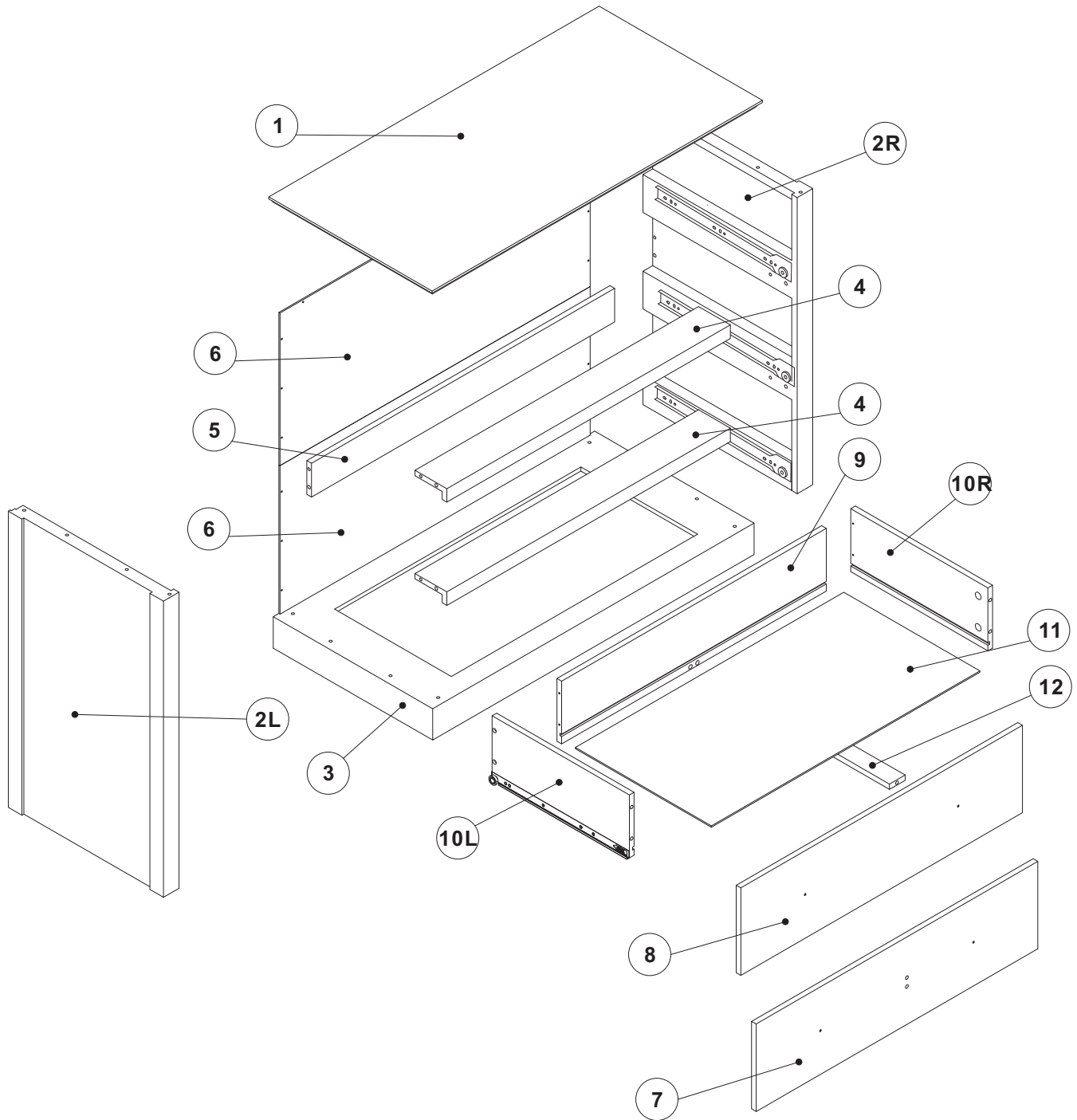
If you have a fault with your product please contact our customer service team on **0333 777 8999**. If you have had the product for 28 days or less you may be offered a replacement, refund or for a fully trained home service technician to visit your home to assess the fault and repair the product where possible. If you have had the product for more than 28 days we will send an independent home service technician to review and repair the product where possible and recommend further action.

You can write to us at

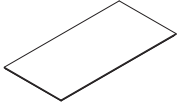
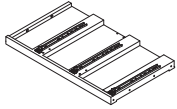
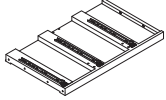
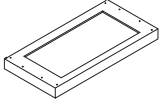
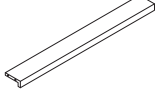
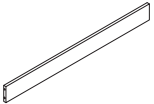
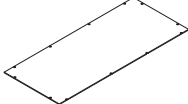
Home Customer Services
Next Retail Ltd,
Desford Road,
Leicester,
LE19 4AT

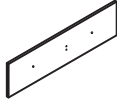
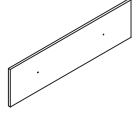
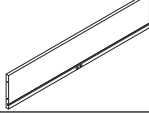
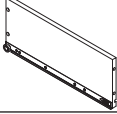
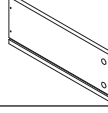
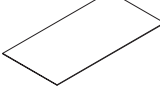

To view our full furniture range please visit www.next.co.uk

GETTING TO KNOW YOUR PRODUCT



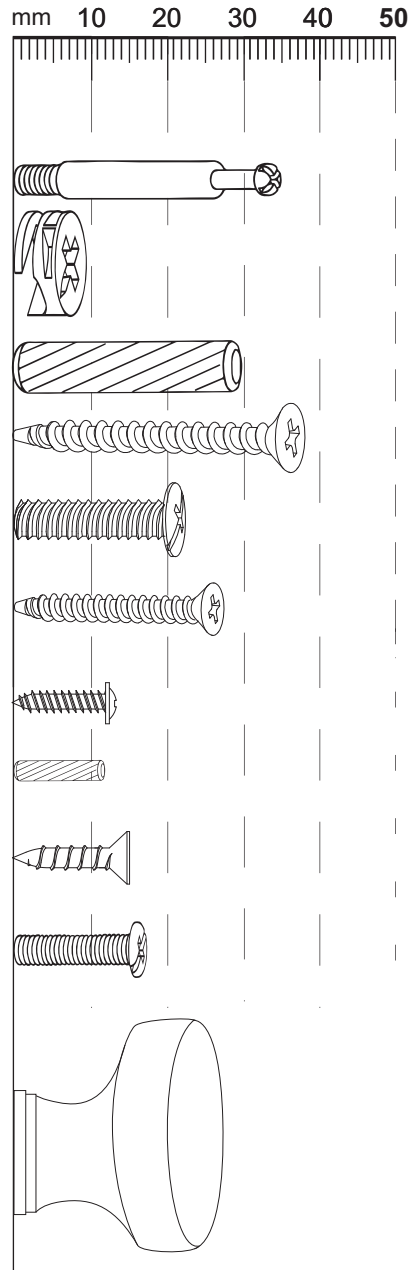
Components supplied-Use this guide if you require a replacement part.

Ref	Dimensions	Visual	Qty	Ctn
1	85 x 42cm		1	3
2L	66 x 40cm		1	3
2R	66 x 40cm		1	3
3	82.8 x 41cm		1	3
4	73 x 7cm		2	3
5	78 x 7.5cm		1	3
6	79.8 x 34cm		2	3




Ref	Dimensions	Visual	Qty	Ctn
7	72.5 x 19.5cm		1	3
8	72.5 x 19.5cm		2	3
9	68 x 14cm		3	3
10L	35.2 x 14cm		3	3
10R	35.2 x 14cm		3	3
11	69.1 x 35cm		3	3
12	34 x 4.5cm		3	3

Fixtures and fittings supplied (actual size)

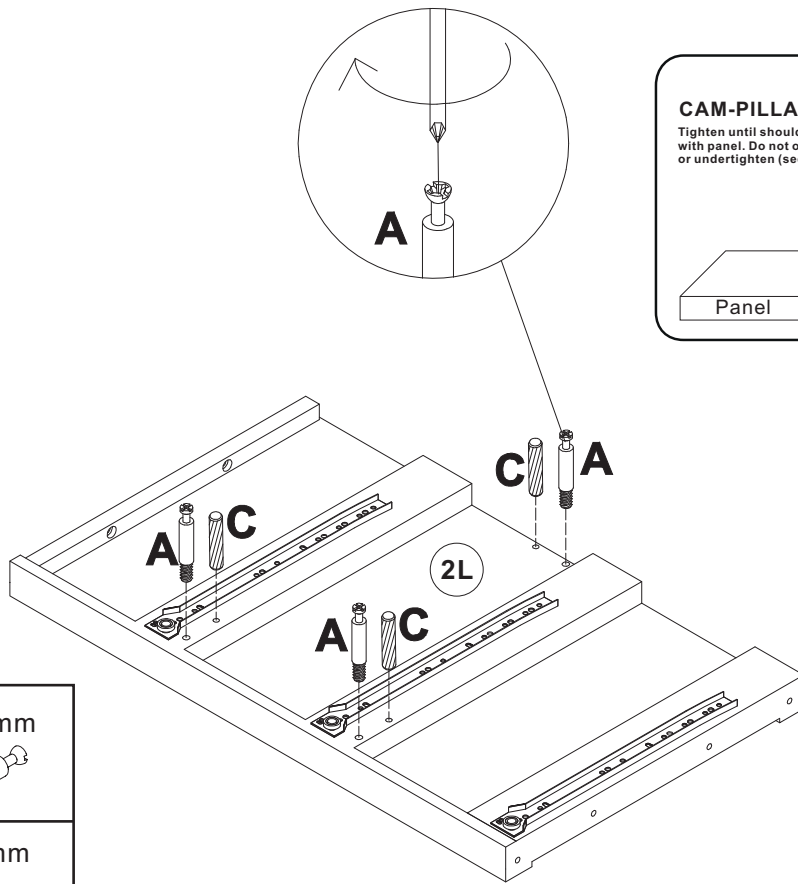
Ref	Dimensions	Qty	Ctn
A	6 x 35mm	21	3
B	15 x 9.5mm	21	3
C	6 x 30mm	14	3
D	4 x 38mm	4	3
E	6 x 22mm	4	3
F	3.25 x 25mm	18	3
G	3 x 12mm	20	3
H	5 x 12mm	1	3
I	3 x 15mm	1	3
J	4 x 16mm	6	3
K	25 x 35mm	6	3



Fixtures and fittings supplied (not to scale)

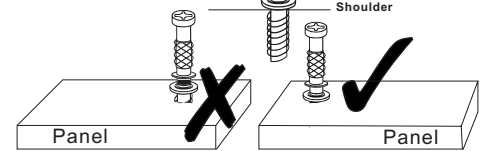
Ref	Dimensions	Visual	Qty	Ctn
L	75 x 75mm		1	3
M	75 x 75mm		1	3
N	75 x 75mm		1	3

1



CAM-PILLAR

Tighten until shoulder is flush with panel. Do not overtighten or undertighten (see example below)

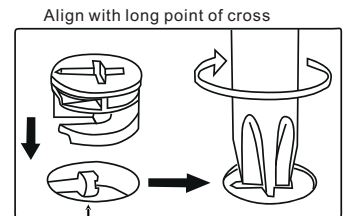
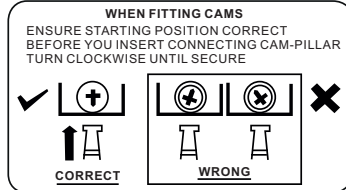
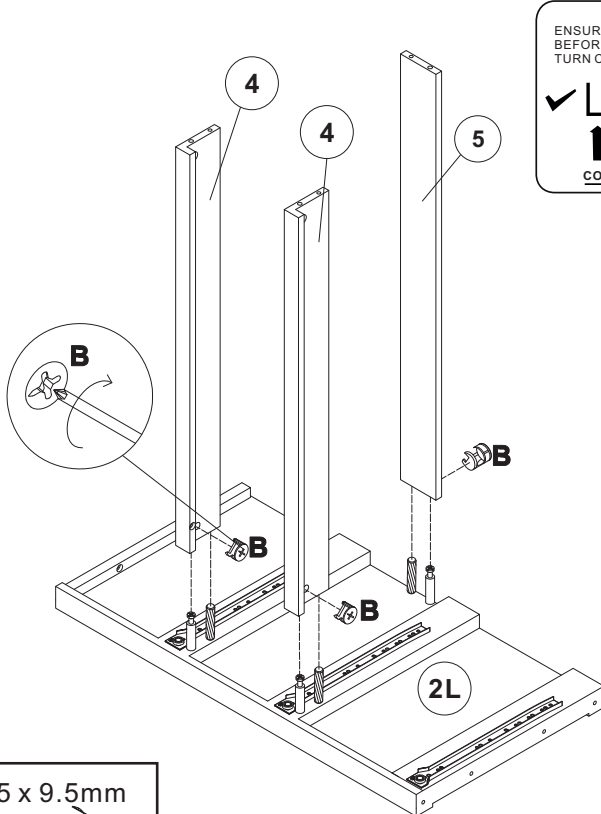


6 x 35mm
A x 3



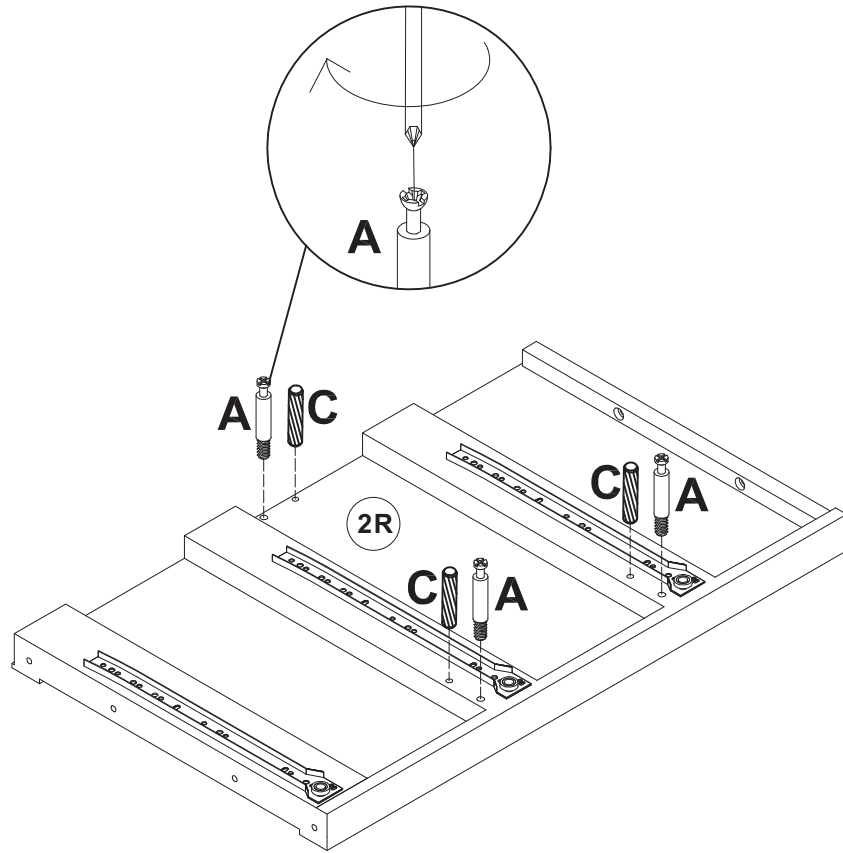
6 x 30mm
C x 3

2



15 x 9.5mm
B x 3

3

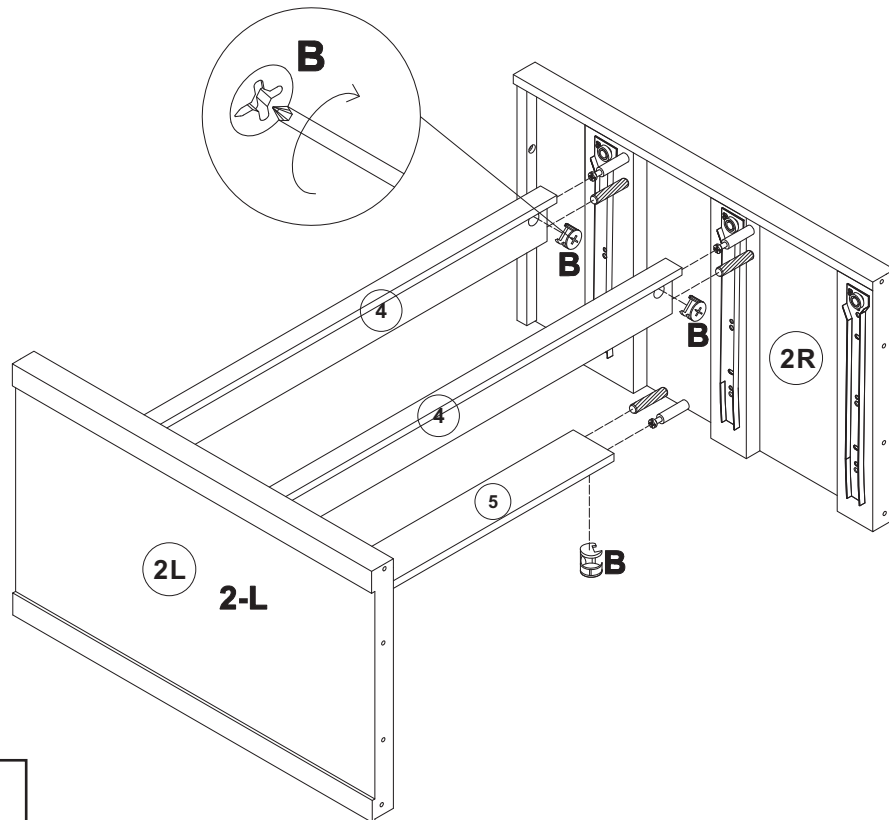


6 x 35mm
A x 3



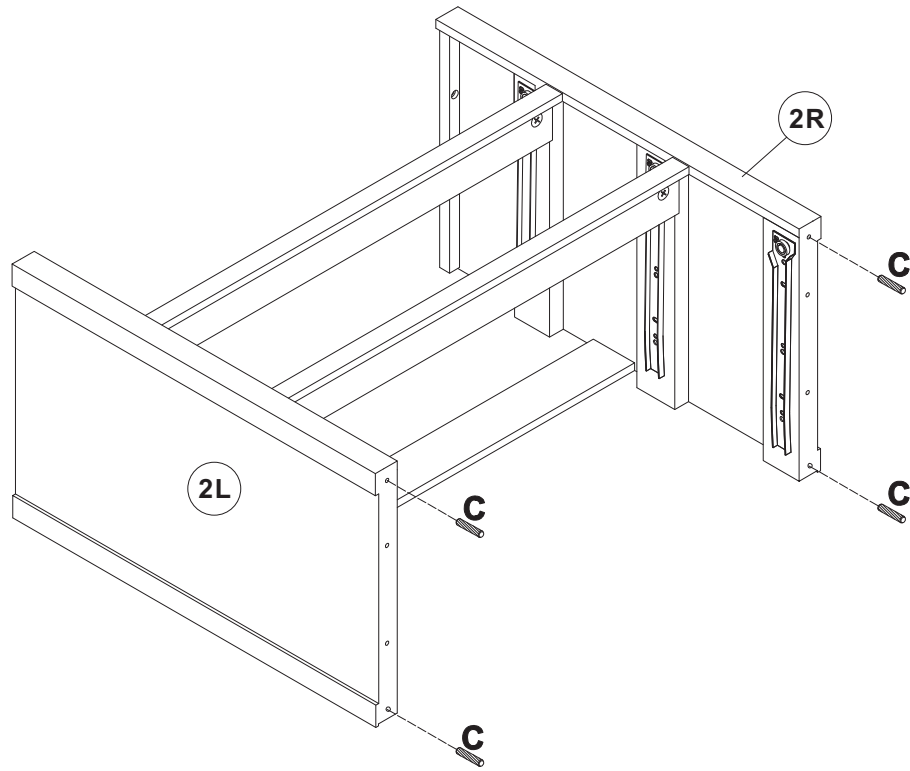
6 x 30mm
C x 3



4



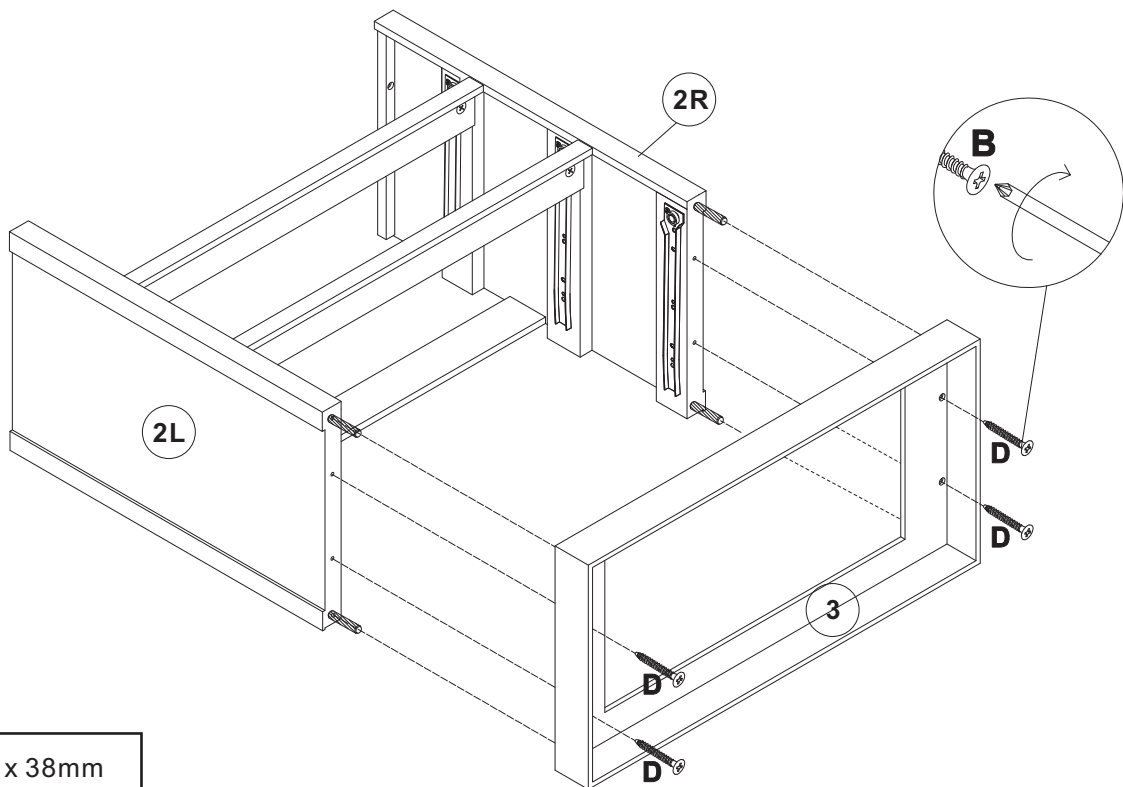
15 x 9.5mm
B x 3



5



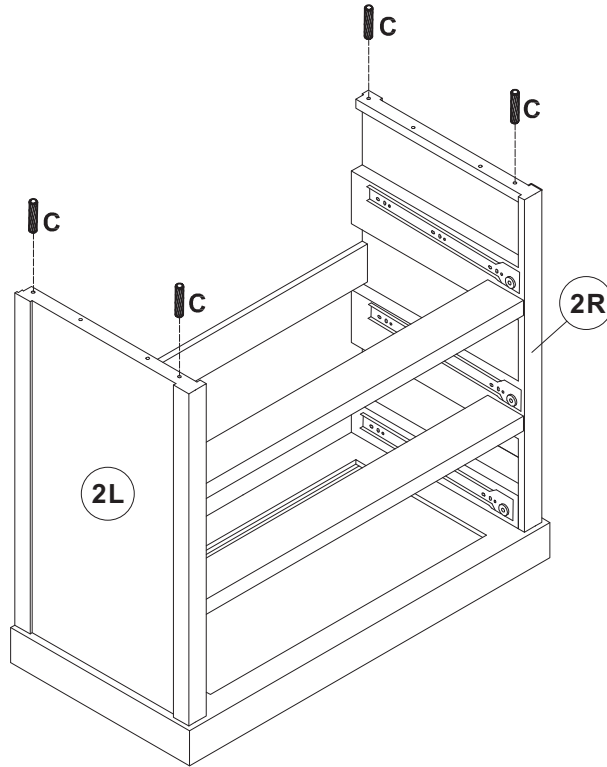

C x 4 6 x 30mm


6




D x 4 4 x 38mm


7

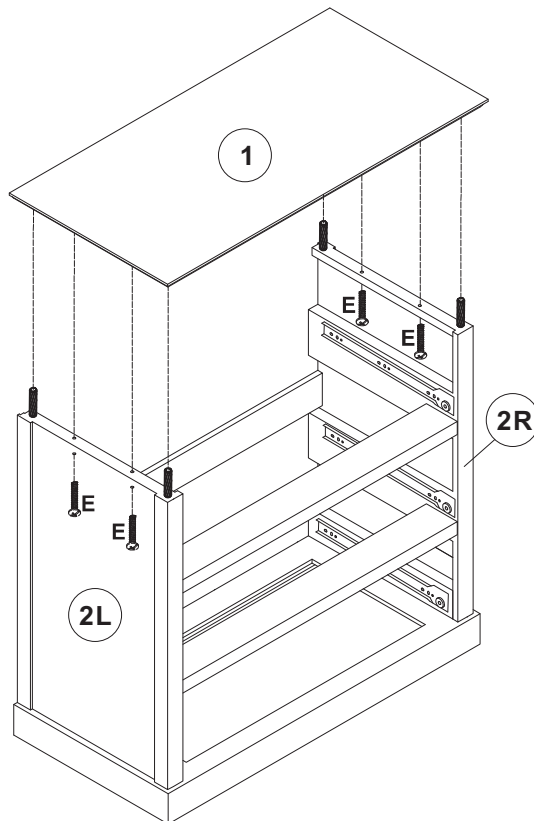


C x 4

6 x 30mm



8

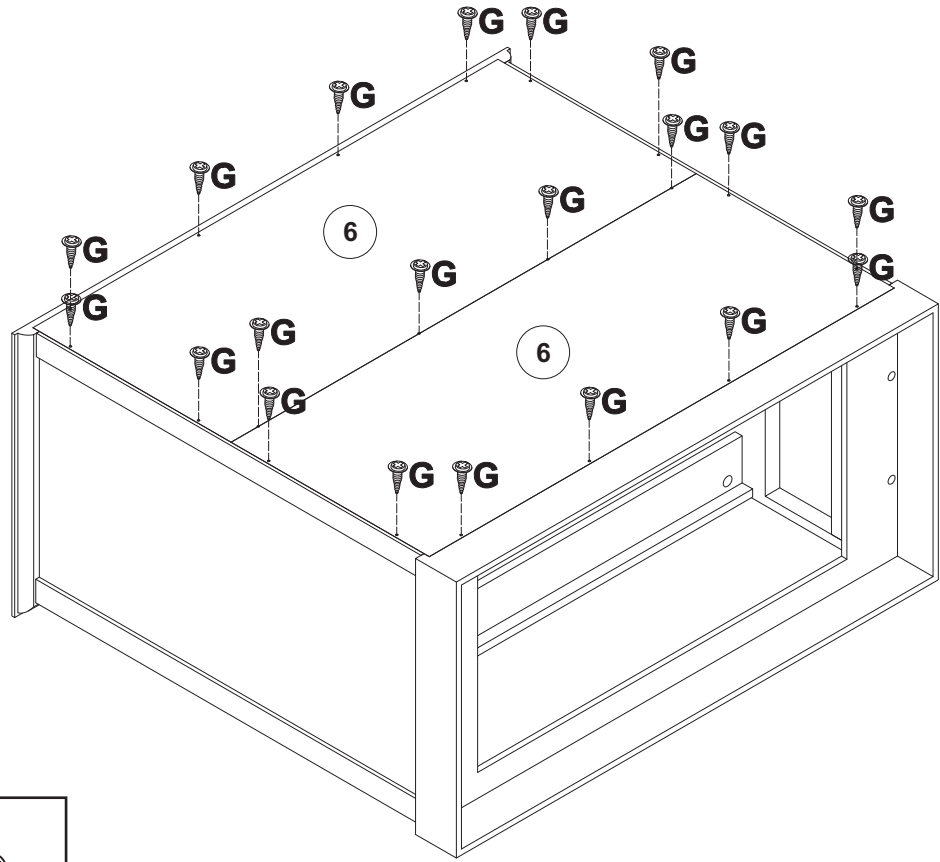


E x 4

6 x 22mm



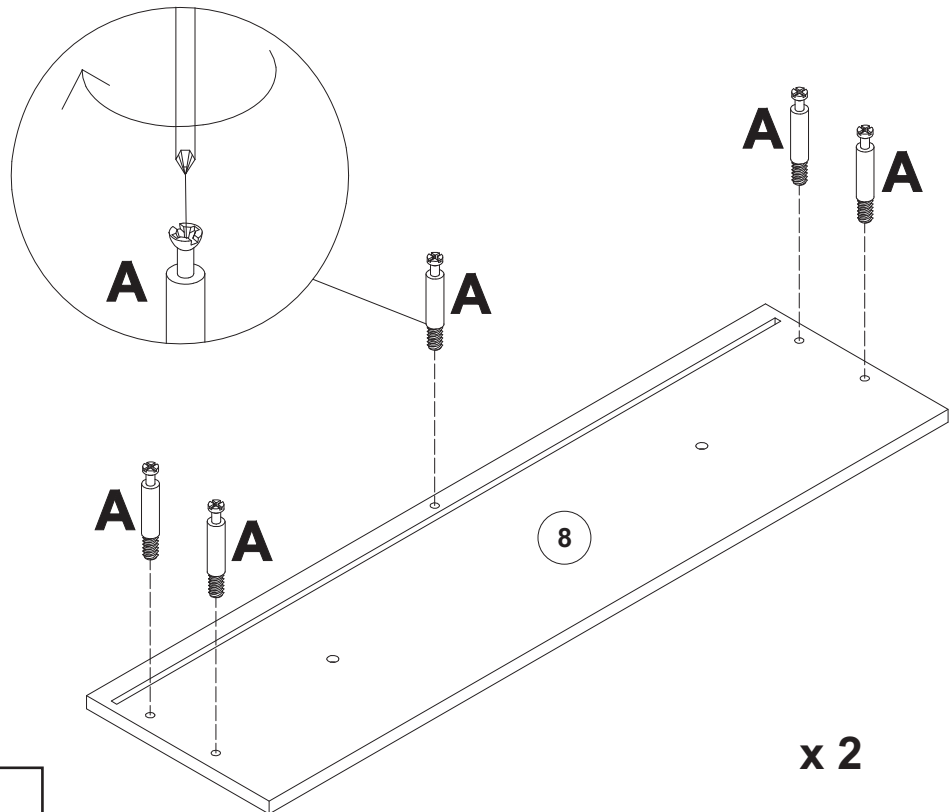
9



3 x 12mm
G x 20



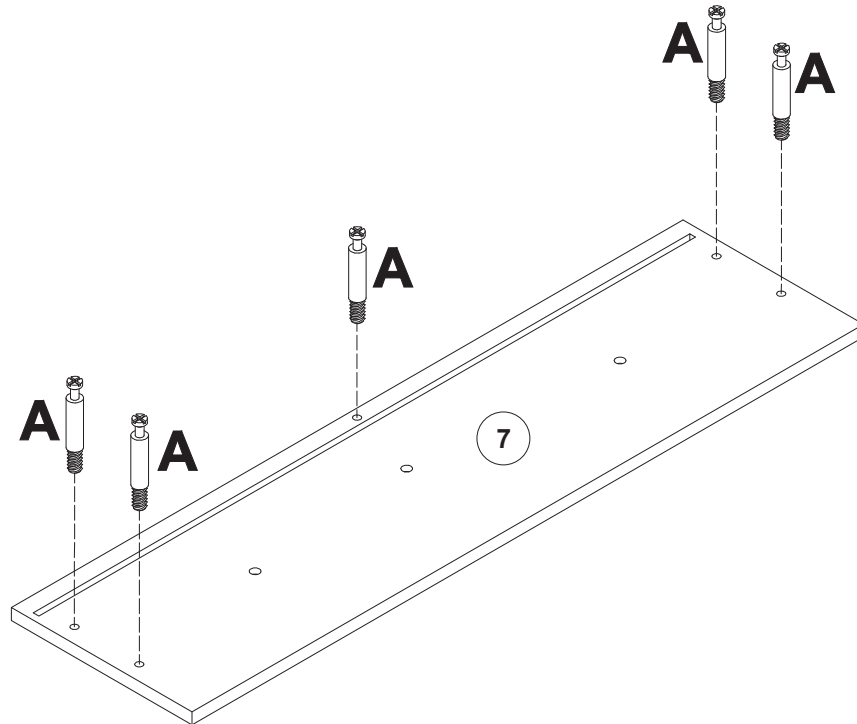
10



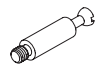

6 x 35mm
A x 10



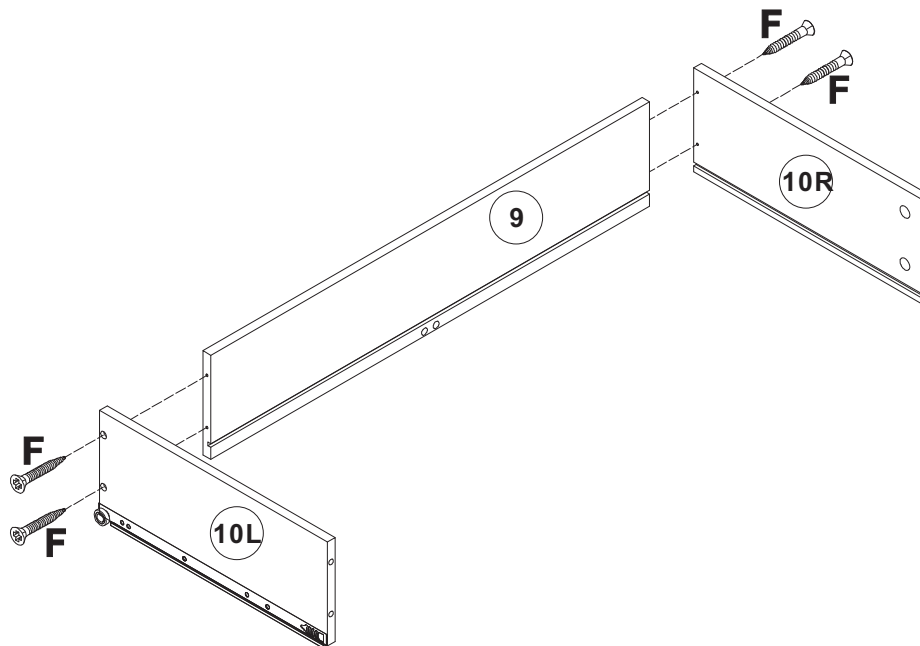
11



6 x 35mm
A x 5





12

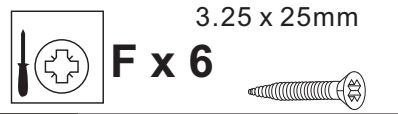
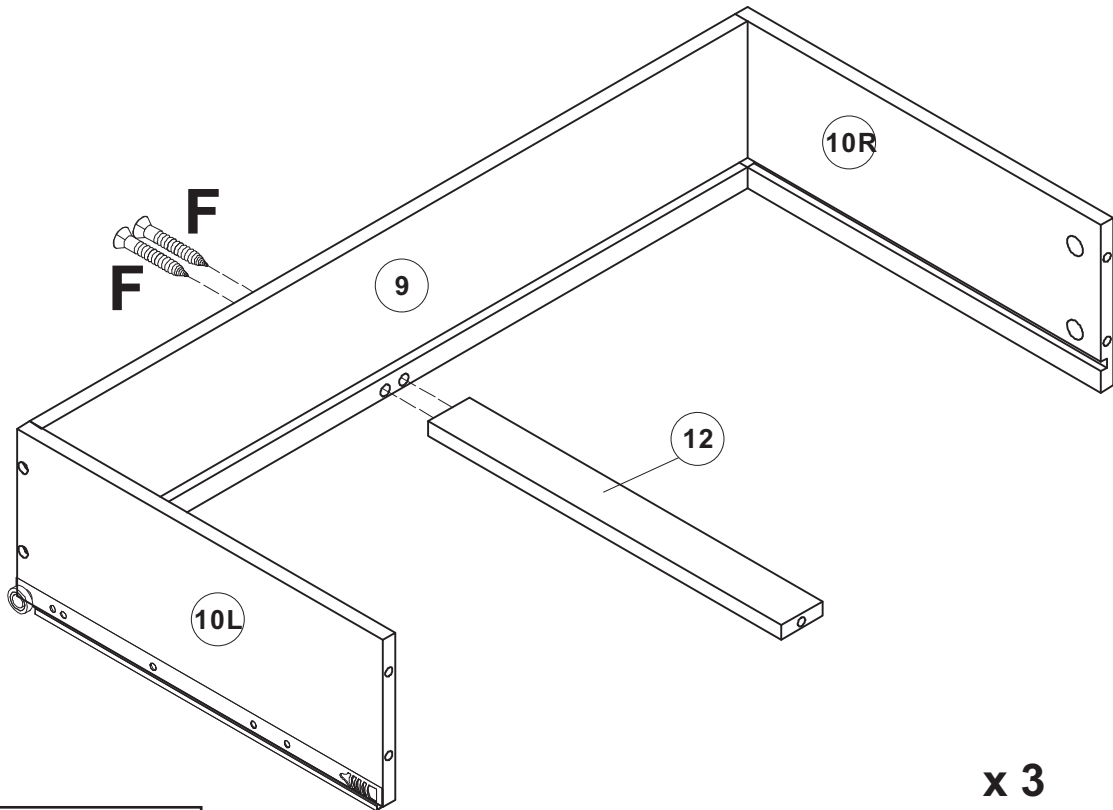


x 3

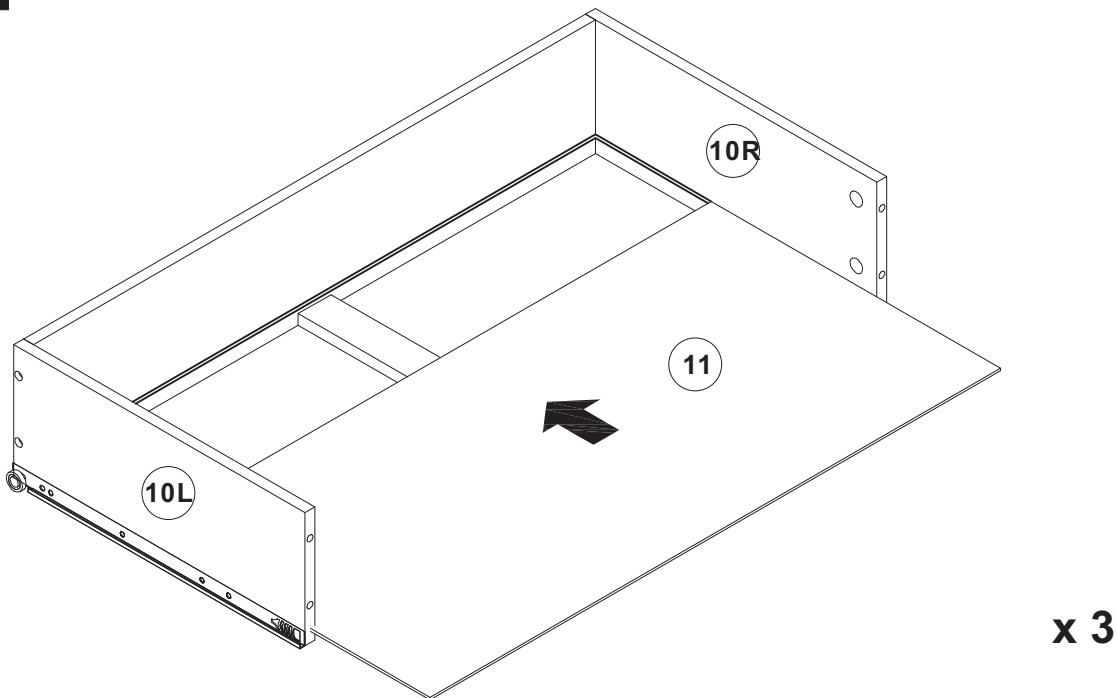
3.25 x 25mm
F x 12



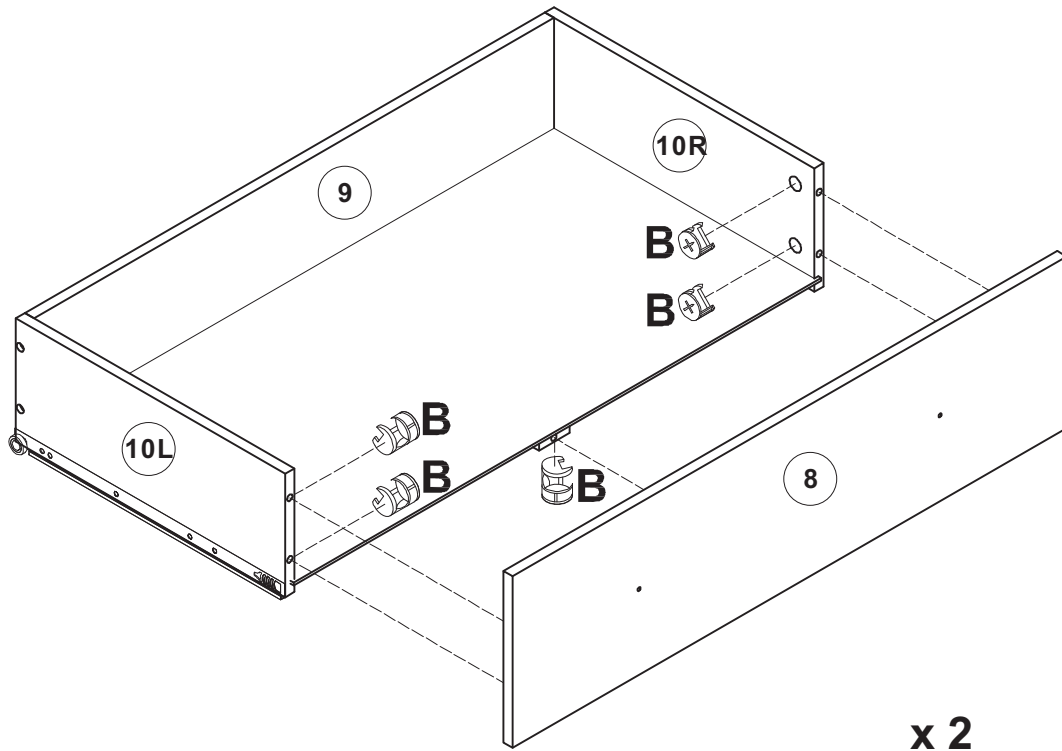
13

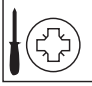



14

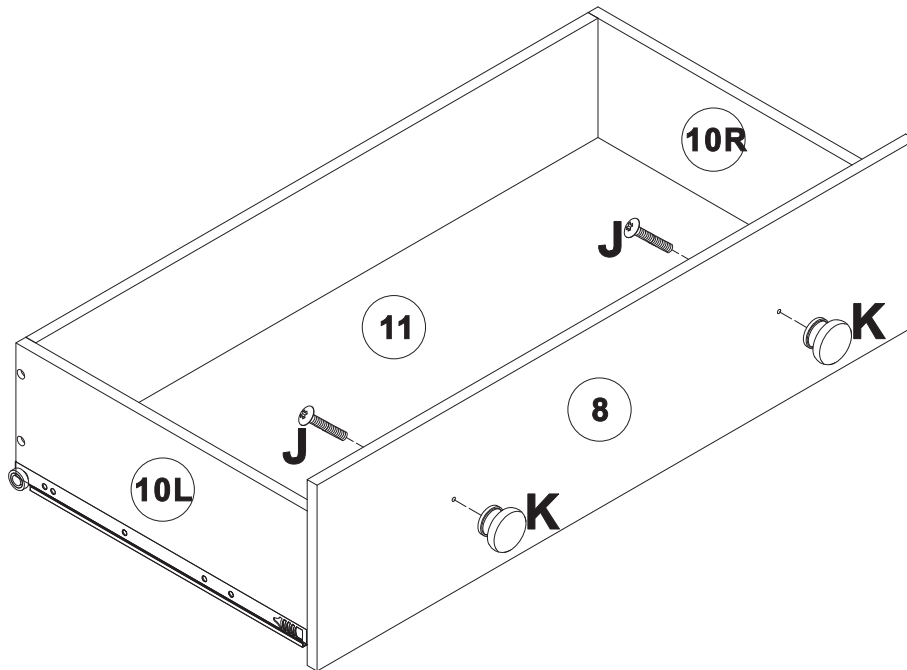



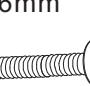
15




15 x 9.5mm
 **B x 10** 

16

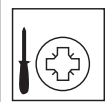
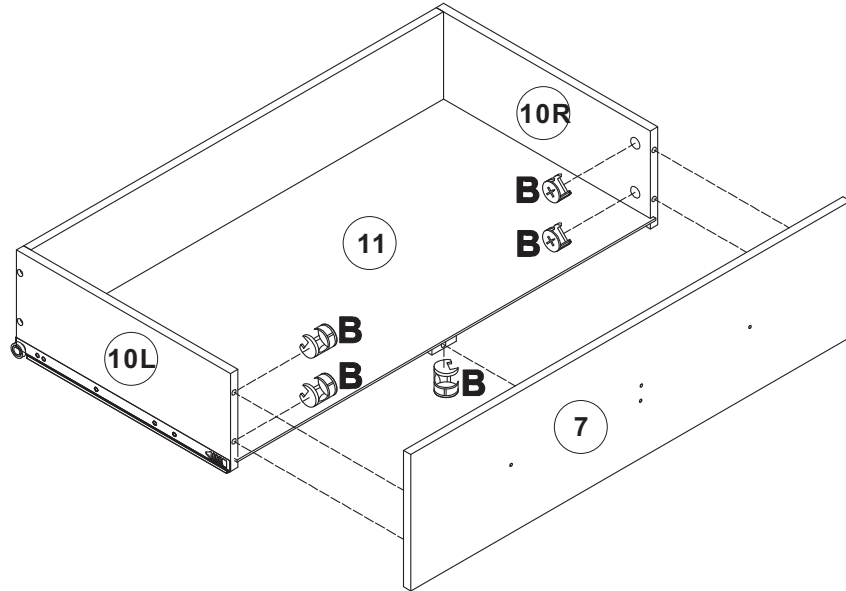


4 x 16mm
 **J x 4** 

25 x 35mm
K x 4 

x 2

17

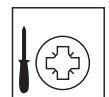
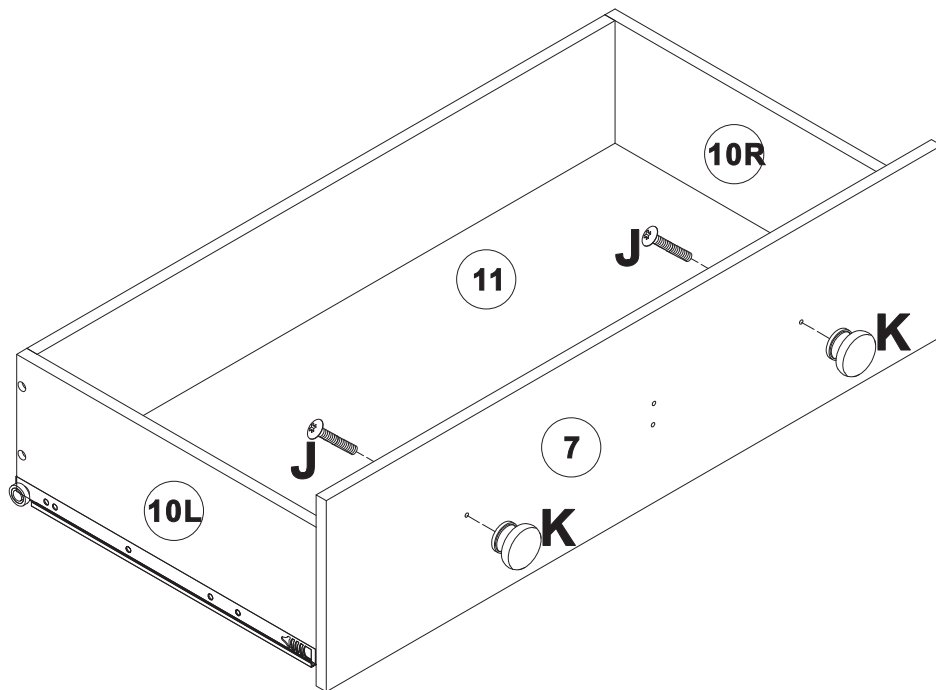


B x 5

15 x 9.5mm



18



J x 2

4 x 16mm

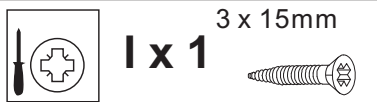
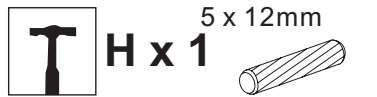
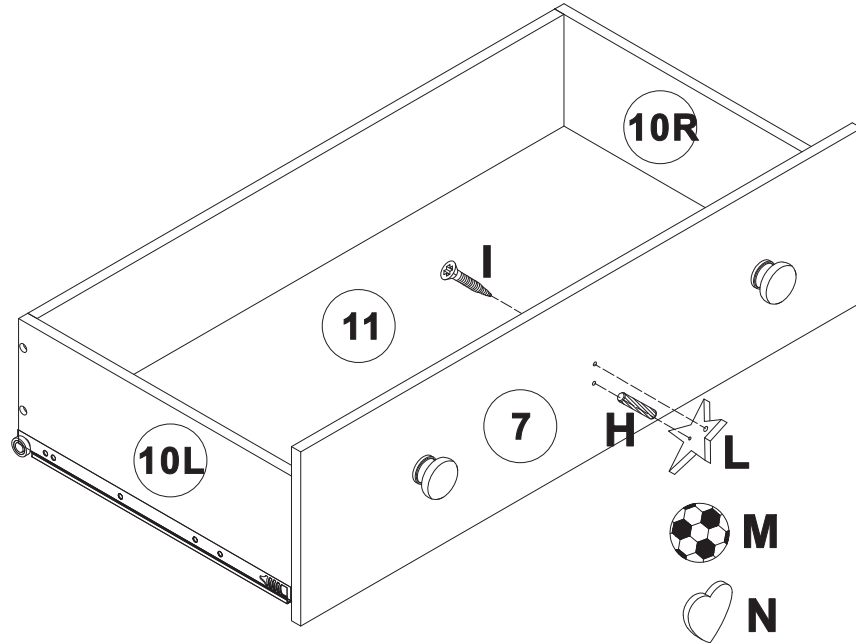


K x 2

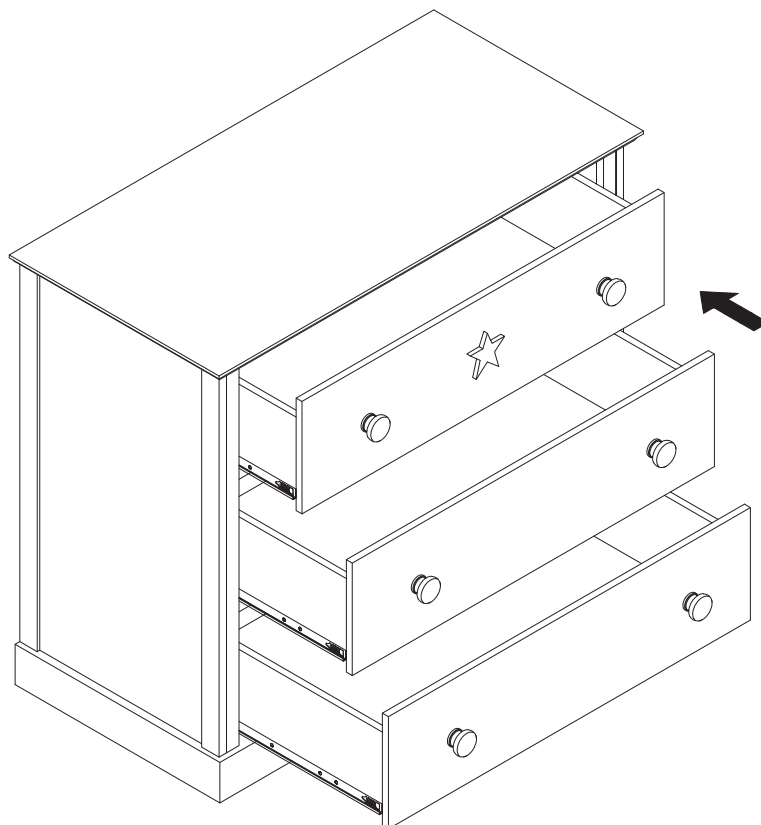
25 x 35mm



19



20



Actual product size
H75 x W85 X D42cm

