

**next**

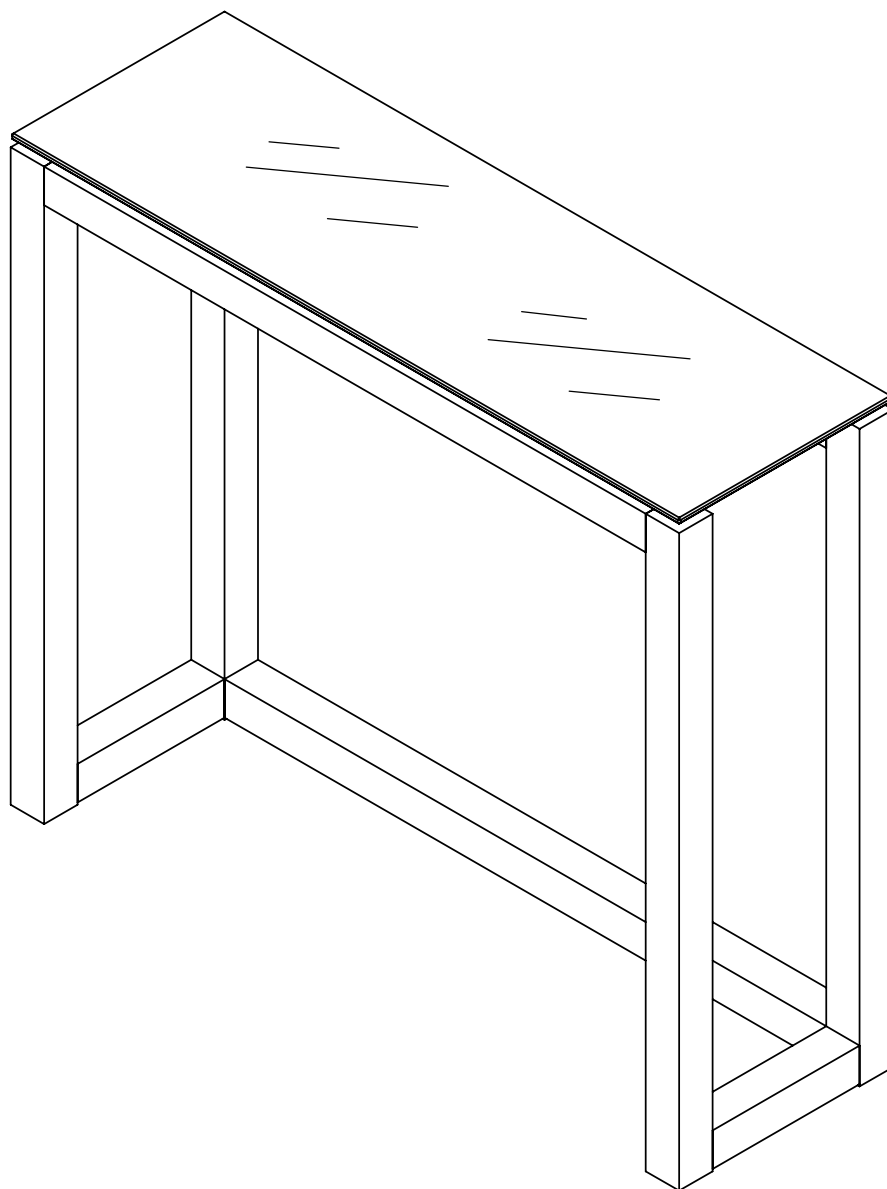
# BROOKLYN CONSOLE

684471

Assembly instructions

**Actual product size**

H87 x W100 x D32cm



**Need Help?**

With: Assembly instructions  
Missing or damaged parts

**CALL: 0333 777 8999**

**IMPORTANT – RETAIN FOR FUTURE REFERENCE**

## BEFORE YOU START

### Warnings

We suggest you retain these instructions for future reference.

Keep fittings out of children's reach and keep children well away from the construction area.

This product should only be used on firm, level ground.

Please periodically check all fittings and re-tighten as necessary.

Please do not sit or stand on your furniture.

Avoid exposing the furniture to excessive heat or direct sunlight as this can cause deterioration of the colour.

Unwrap all packaging materials and place the components on top of the carton box or on a clean floor to protect it from damage.

### Do's

We suggest you spend a short time reading through this leaflet before you start.

When you are ready to start, make sure that you have the right tools and plenty of space.

Unwrap all packaging materials and place the components on a clean surface to protect it from damage.

We recommend that the packaging is used to protect the surfaces during assembly.

Carefully check that you have all the parts before beginning assembly

Due to the size of the product we recommend that it is assembled in the room intended for use.

Ensure the product is fully assembled as illustrated and all fixings are fully tightened before use.

Wipe occasionally with a soft cloth slightly dampened with water. Then buff with a dry clean soft cloth.

Wood will mellow and change colour over time, we recommend that ornaments and items placed on the surface are moved regularly for the first few months to prevent uneven mellowing.

If the glass is chipped or broken, stop using the product and consult the supplier

When cleaning glass panels use a damp cloth with washing up liquid or soft soap if necessary.

Do not use washing powders or any other substances containing abrasives since these substances scratch glass panel

The glass used in this product is toughened and complies with BS EN 12150-1:2000, clauses 8.3 & 8.4

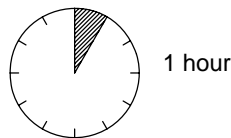
### You can write to us at

Home Customer Services  
Next Retail Ltd,  
Desford Road,  
Leicester,  
LE19 4AT

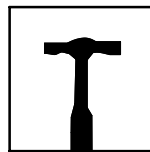
### Number of people required to assemble

TWO persons are required to assemble this item.

### Time to assemble



### Tools required



not supplied

### Don'ts

Do not drag or pull your furniture.

Do not use silicone based furniture polish. Silicone in furniture polishes can break down the finish.

Never allow any kind of liquid to remain on your furniture. Absorption can cause wood to warp or finishes to de-laminate.

Do not place hot items (e.g. hot drinks) directly on to the wood surface. Please make sure you use a placement or coaster.

Do not place very hot or very cold items on the glass surface, unless adequately thick table mats or coasters are used to prevent such items from coming into contact with the glass

Do not use glass as a chopping surface. Do not strike the glass with hard or pointed items

### Missing parts

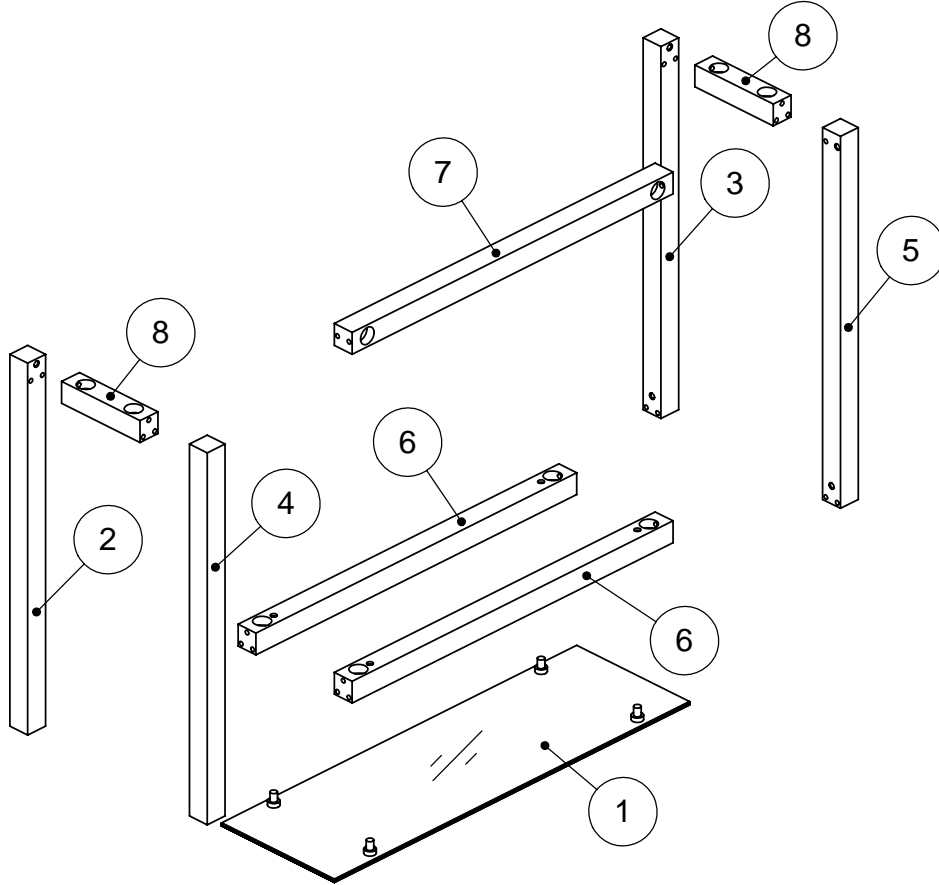
If you are missing any fixtures and fittings for your product please contact our customer service team on **0333 777 8999** and they will be happy to arrange for a replacement to be sent to you free of charge.

### Home service technicians

If you have a fault with your product please contact our customer service team on **0333 777 8999**. If you have had the product for 28 days or less you may be offered a replacement, refund or for a fully trained home service technician to visit your home to assess the fault and repair the product where possible. If you have had the product for more than 28 days we will send an independent home service technician to review and repair the product where possible and recommend further action.

To View our full furniture range please visit [www.next.co.uk](http://www.next.co.uk)

GETTING TO KNOW YOUR PRODUCT

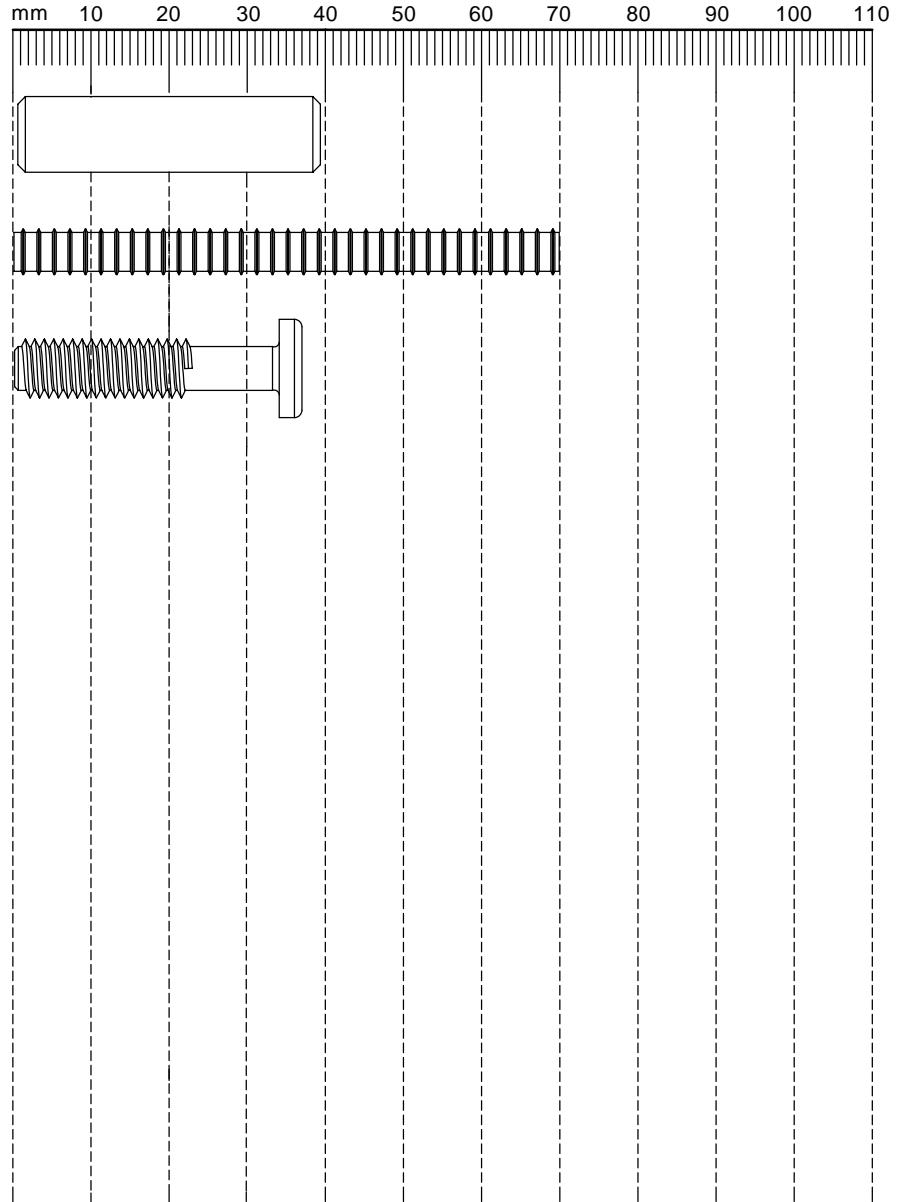


Components supplied. Please use this guide if you require replacement parts.

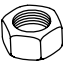
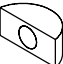
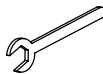

| Ref | Dimensions | Visual | Qty | Ctn | Ref | Dimensions | Visual | Qty | Ctn |
|-----|------------|--------|-----|-----|-----|------------|--------|-----|-----|
| 1   | 32 x 100cm |        | 1   | 1   | 5   | 5 x 85cm   |        | 1   | 1   |
| 2   | 5 x 85cm   |        | 1   | 1   | 6   | 5 x 90cm   |        | 2   | 1   |
| 3   | 5 x 85cm   |        | 1   | 1   | 7   | 5 x 90cm   |        | 1   | 1   |
| 4   | 5 x 85cm   |        | 1   | 1   | 8   | 5 x 22cm   |        | 2   | 1   |

**Fixtures and fittings supplied (actual size)**

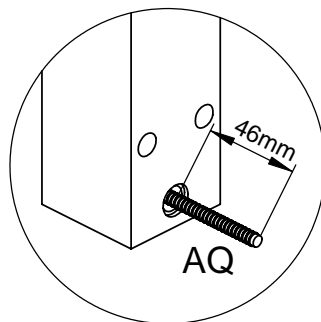
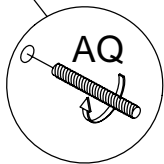
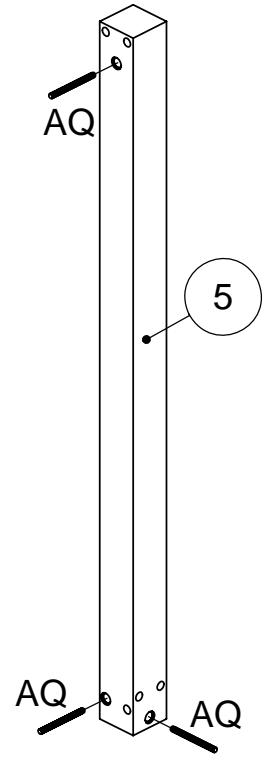
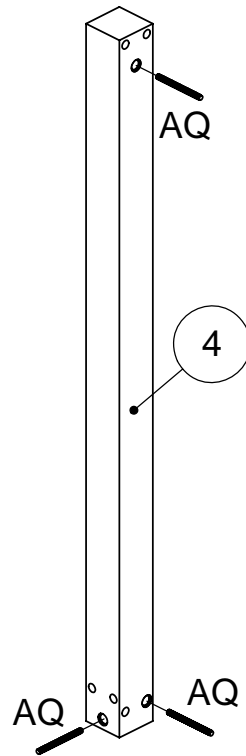
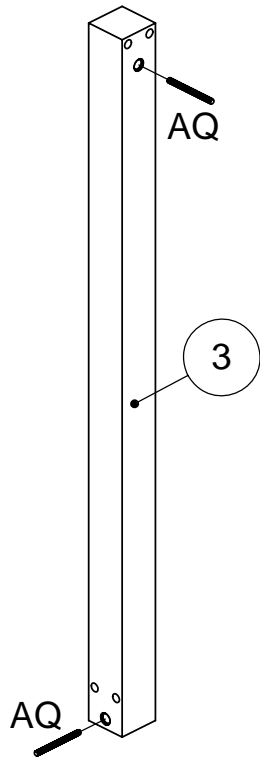
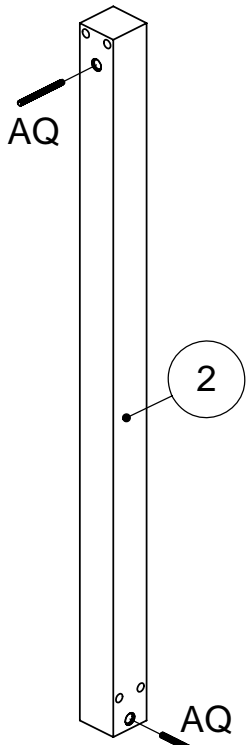
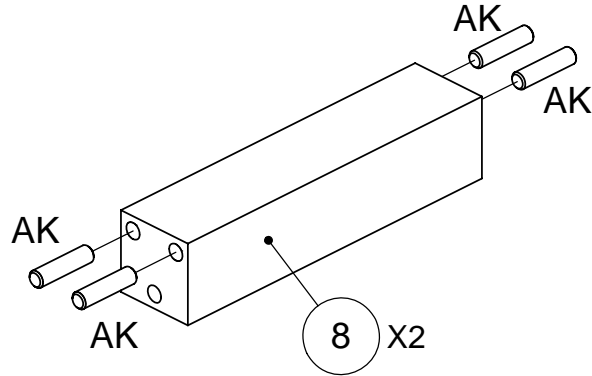
| Ref | Dimensions | Qty | *Extra Fittings |
|-----|------------|-----|-----------------|
| AK  | 10 x 40mm  | 18  | 2               |
| AQ  | 8 x 70mm   | 10  | 1               |
| AJ  | 6 x 35mm   | 4   | 1               |
|     |            |     |                 |
|     |            |     |                 |
|     |            |     |                 |
|     |            |     |                 |
|     |            |     |                 |
|     |            |     |                 |
|     |            |     |                 |
|     |            |     |                 |



**Fixtures and fittings supplied(not to scale)**

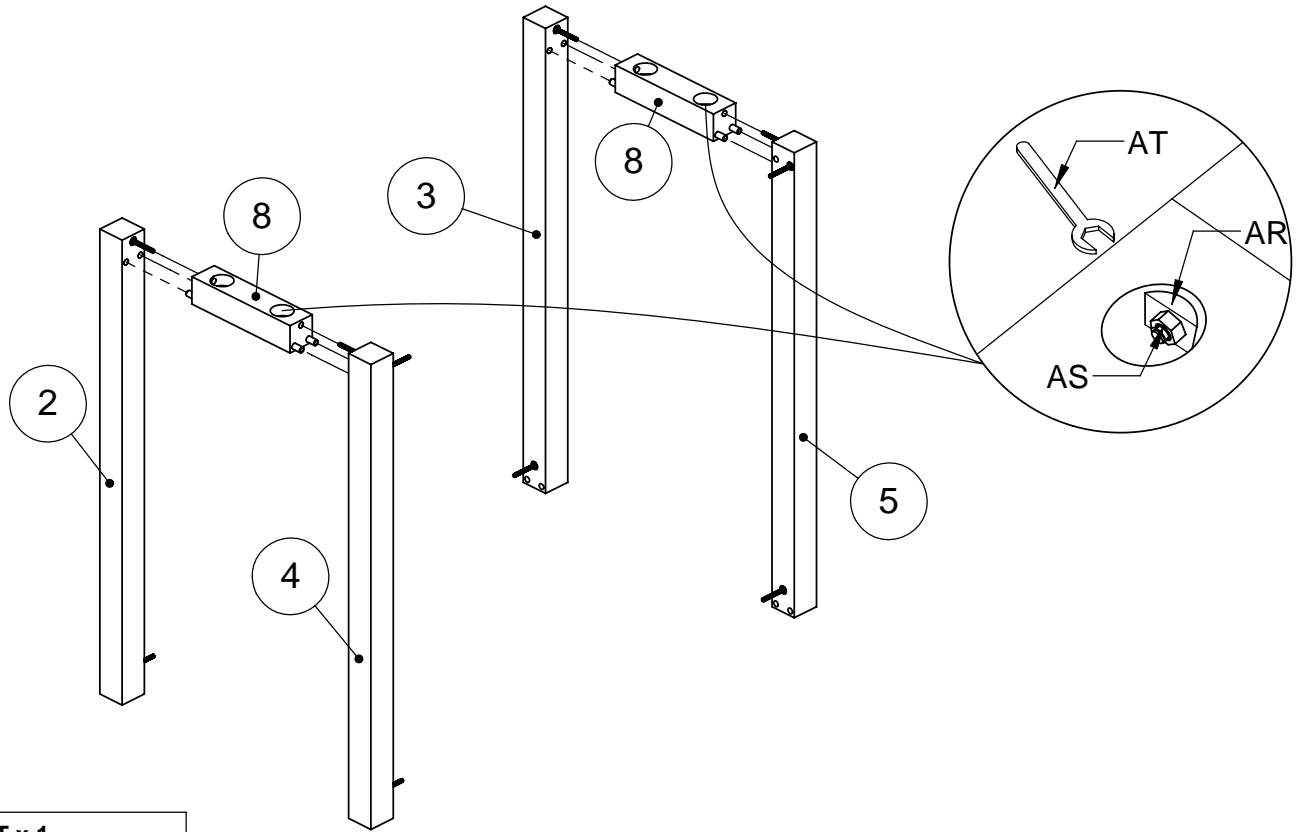
| Ref | Dimensions | Visual  | Qty | *Extra Fittings |
|-----|------------|---|-----|-----------------|
| AS  | M8         |  | 10  | 1               |
| AR  |            |  | 10  | 1               |
| AT  |            |  | 1   |                 |
| AV  | 4mm        |  | 1   |                 |

1

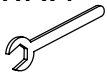


|                |              |           |
|----------------|--------------|-----------|
| <b>AQ x 10</b> |              | 8 x 70mm  |
|                |              |           |
| <b>AK x 8</b>  |              | 10 x 40mm |
|                |              |           |
|                | not supplied |           |

2



AT x 1



AS x 4

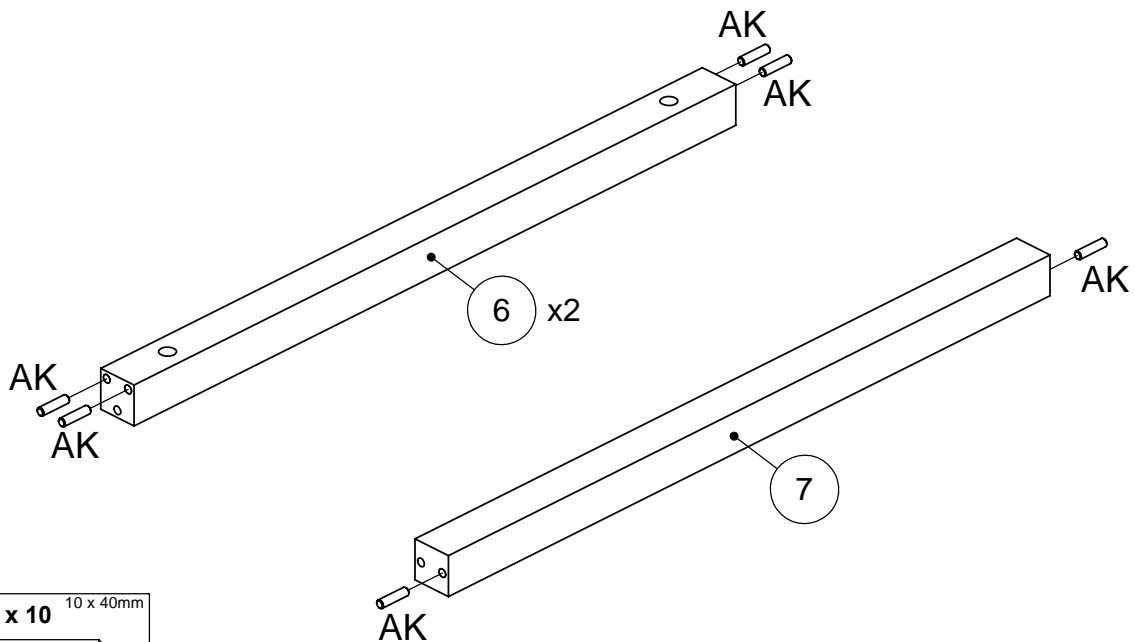


M8

AR x 4



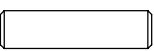
3



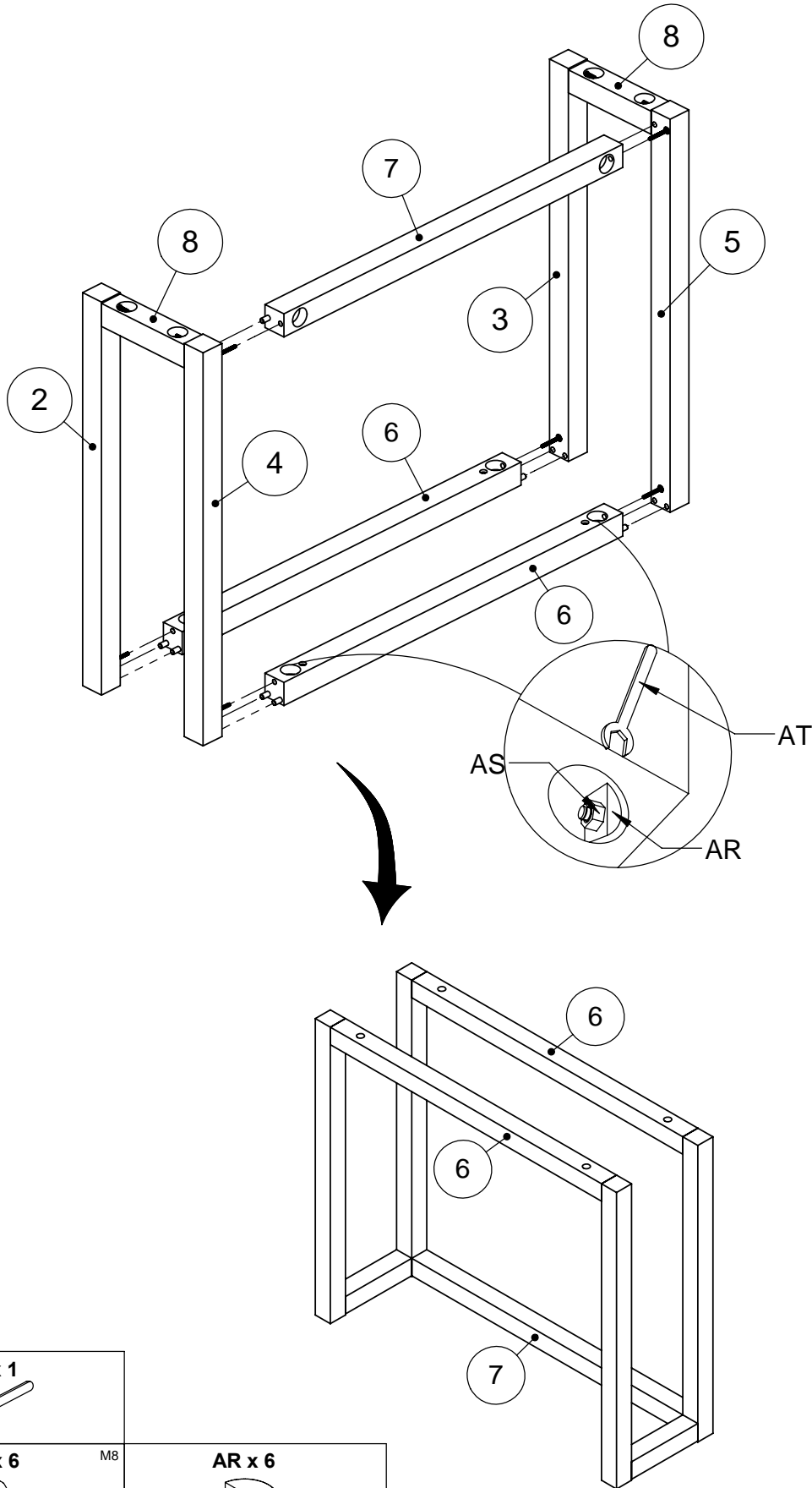
AK x 10 10 x 40mm



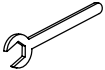
not supplied



4



AT x 1



AS x 6

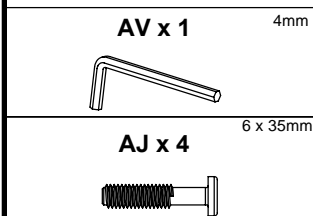
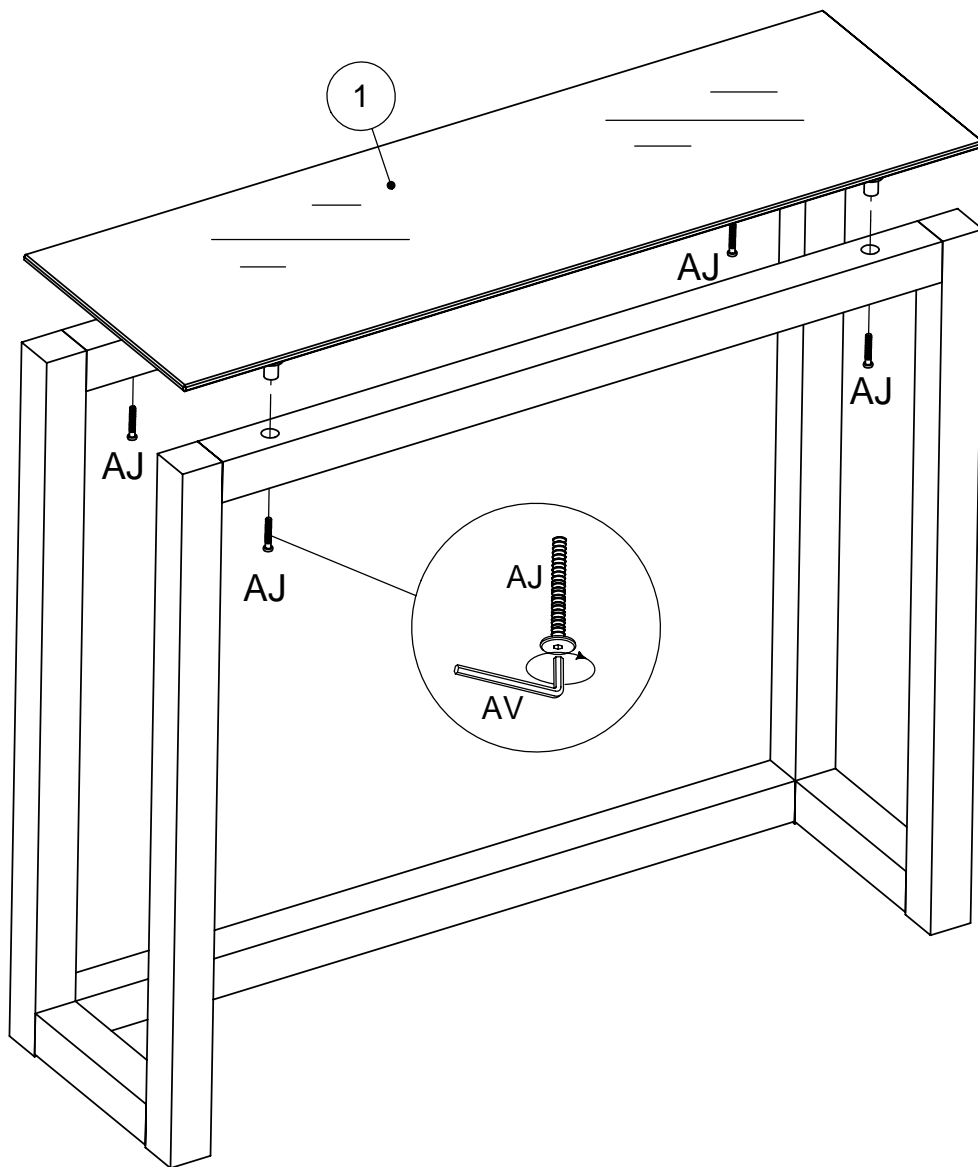
M8



AR x 6



5





next

BROOKLYN CONSOLE

684471

