

next

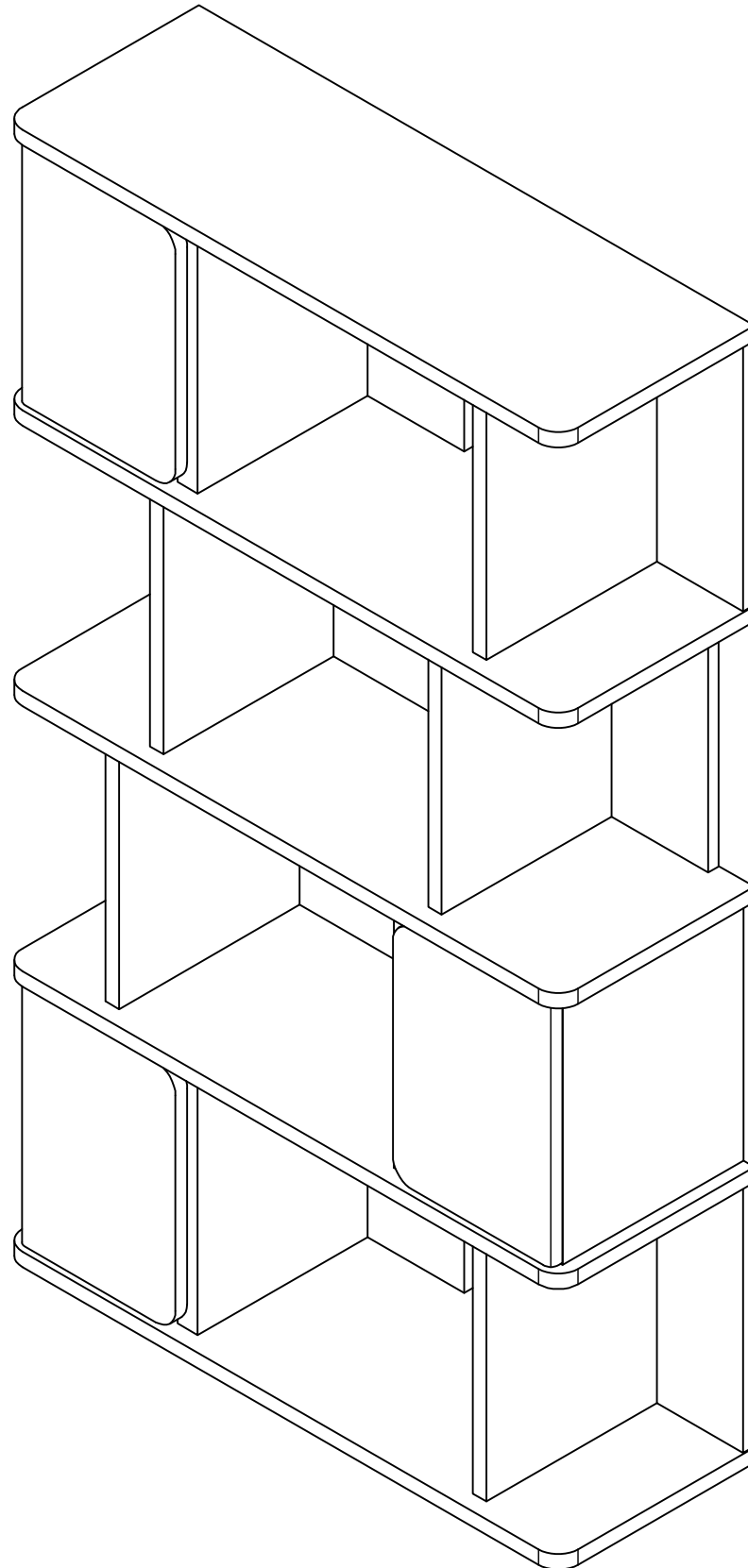
# COPENHAGEN TALL SHELF

686375

Assembly instructions

**Actual product size**

H151x W85 x D30cm



## Need Help ?

With: Assembly instruction

Missing or damaged parts

**IMPORTANT - RETAIN FOR FUTURE REFERENCE**

**CALL: 0333 777 8999**

## BEFORE YOU START

### Warnings

We suggest you retain these instructions for future reference.

Keep fittings out of children's reach and keep children well away from construction area.

This product should only be used on firm level ground.

Please periodically check all fittings and re-tighten as necessary.

Please do not sit or stand on your furniture.

Avoid exposing the furniture to excessive heat or direct sunlight as this can cause deterioration of the colour.

Unwrap all packaging materials and place the components on top of the carton box or on a clean floor to protect it from damage

### Do's

We suggest you spend a short time reading through this leaflet before you start.

When you are ready to start, make sure that you have the right tools and plenty of space.

Unwrap all packaging materials and place the components on a clean surface to protect it from damage, We recommend that the packaging is used to protect the surfaces during assembly.

Carefully check that you have all the parts before beginning assembly.

Due to the size of this product we recommend that it is assembled in the room intended for use.

Ensure the product is fully assembled as illustrated and all fixings fully tightened before use.

Wipe occasionally with a soft cloth slightly dampened with water. Then buff with a dry clean soft cloth.

Wood will mellow and change colour over time, we recommend that ornaments and items placed on the surface are moved regularly for the first few months to prevent uneven mellowing.

### Don'ts

Do not drag or pull your furniture.

Do not rub or scrub the surface when cleaning.

Do not use silicone based furniture polish. Silicone in furniture polishes can break down the finish.

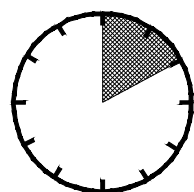
Never allow any kind of liquid to remain on your furniture. Absorption can cause wood to warp or finishes to de-laminate.

Do not place hot items (e.g. hot drinks) directly on to the wood surface. Please make sure you use a placemat or coaster.

### Number of people required to assemble

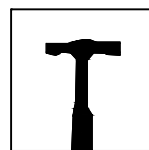
Two people are required to assemble this item

### Time to assemble

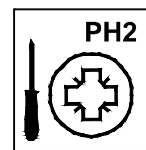


2 hour

### Tools required



not supplied



not supplied

### Missing parts

If you are missing any fixtures and fittings for your product. Please contact our customer service team on 0333 777 8999 and they will be happy to arrange for a replacement to be sent to you free of charge.

### Home service technicians

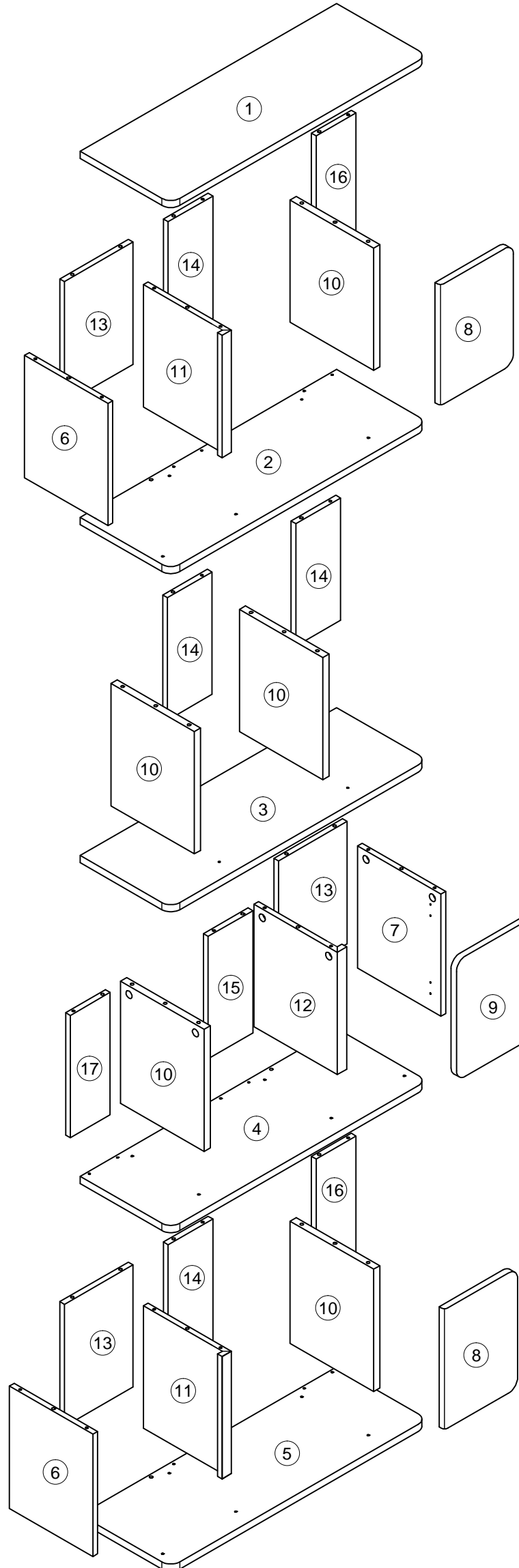
If you have a fault with your product, please contact our customer service team on 0333 777 8999. If you have had the product for 28 days or less you may be offered a replacement, refund or for a fully trained home service technician to visit your home to assess the fault and repair the product where possible. If you have had the product for more than 28 days we will send an independent home service technician to review and repair the product where possible and recommend further action.

### You can write to us at

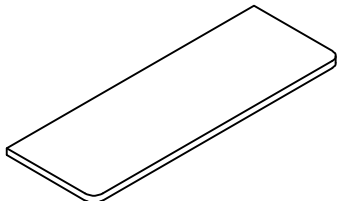
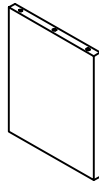
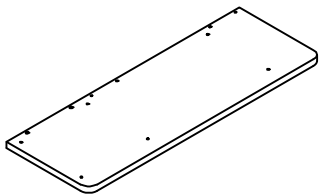
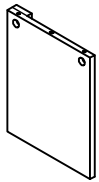
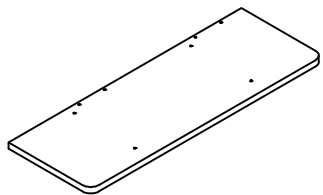
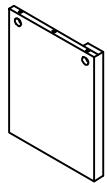
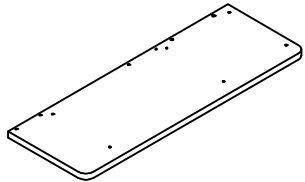
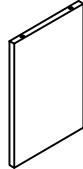
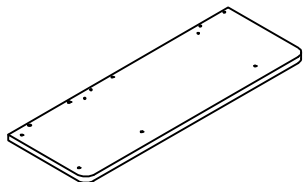

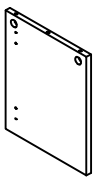

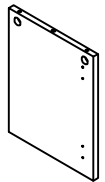

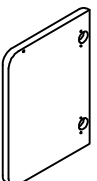
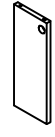
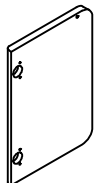
Home Customer Services  
Next Retail Ltd.  
Desford Road,  
Leicester,  
LE19 4AT

To view our full furniture range please visit [www.next.co.uk](http://www.next.co.uk)

## GETTING TO KNOW YOUR PRODUCT

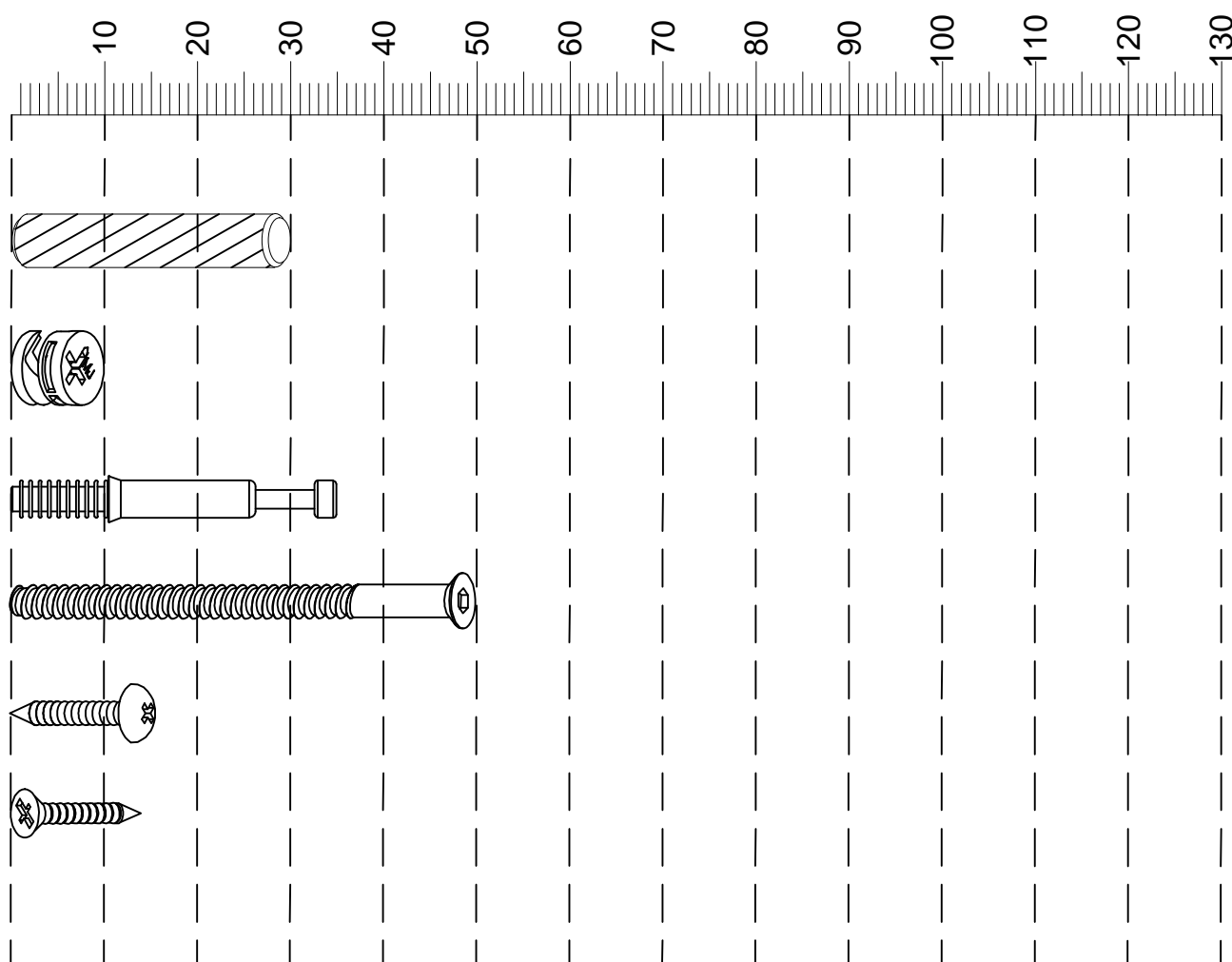


Components supplied. Please use this guide if you require replacement parts.

Ref	Dimensions	Visual	Qty	Ctn	Ref	Dimensions	Visual	Qty	Ctn
1	30 x 85cm		1	1	10	28 x 35cm		5	2
2	30 x 85cm		1	1	11	28 x 35cm		2	2
3	30 x 85cm		1	1	12	28 x 35cm		1	2
4	30 x 85cm		1	1	13	23 x 35cm		3	2
5	30 x 85cm		1	1	14	15 x 35cm		4	1
6	28 x 35cm		2	1	15	15 x 35cm		1	1
7	28 x 35cm		1	1	16	13 x 35cm		2	2
8	24 x 35cm		2	2	17	13 x 35cm		1	2
9	24 x 35cm		1	2					

Fixtures and fittings supplied (actual size)

Ref	Dimensions	Qty
D6	8 x 30mm	31
B4	15 x 12mm	30
B7	7.5 x 35mm	30
Y8	Ø6 x 50mm	38
S5	Ø3 x 12mm	8
U138	4 x 14mm	24

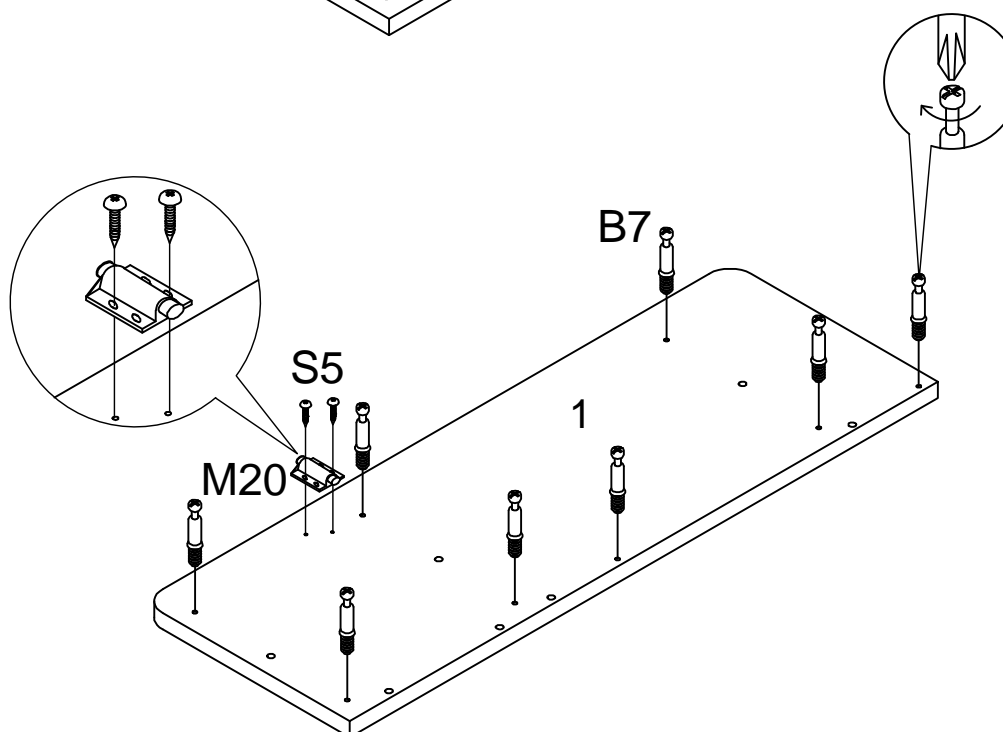
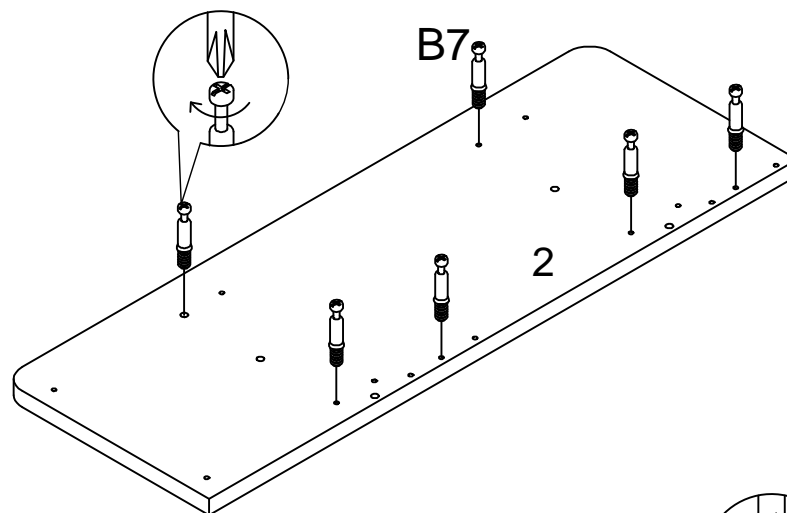
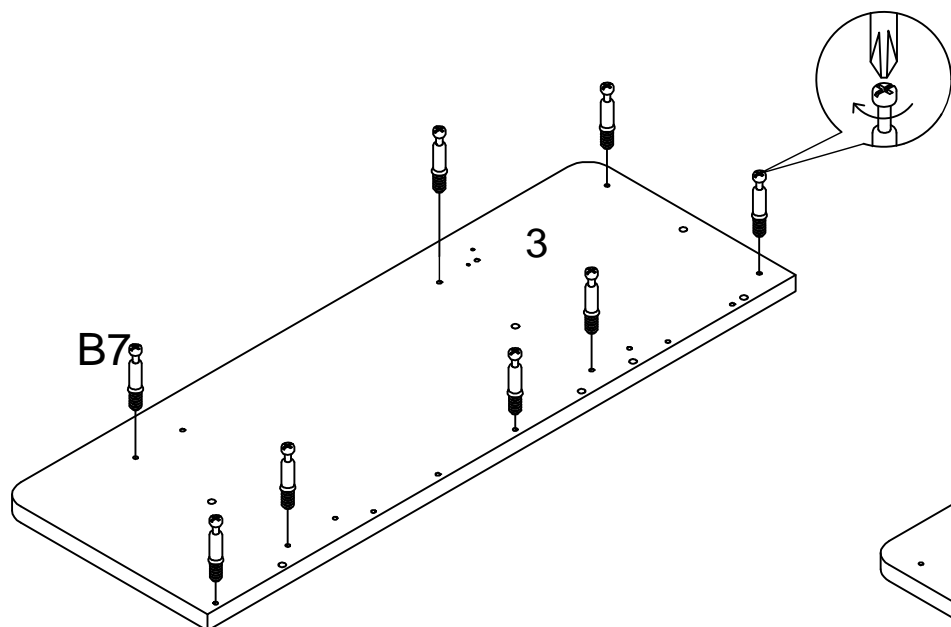
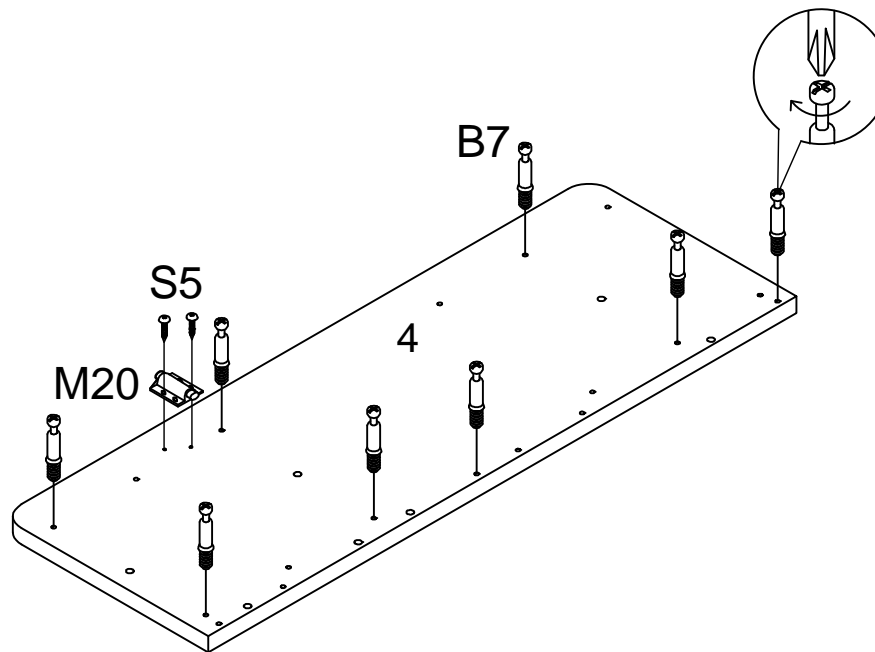
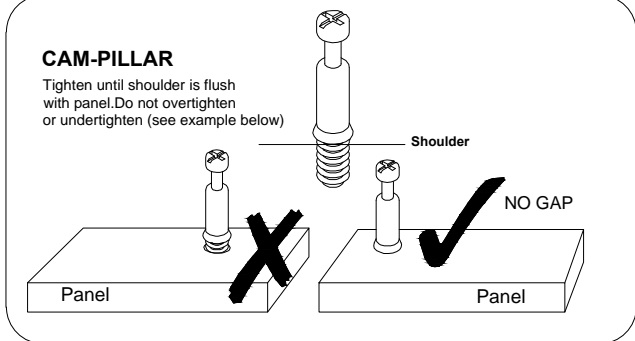


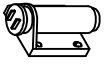


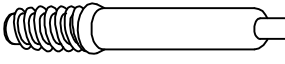

Fixtures and fittings supplied ( not to scale)

Ref	Dimensions	Visual	Qty
D14	N/A		2
T1	N/A		1
O1	25mm(Oak foil)		16
O1	25mm(White foil)		6
M26	N/A		3

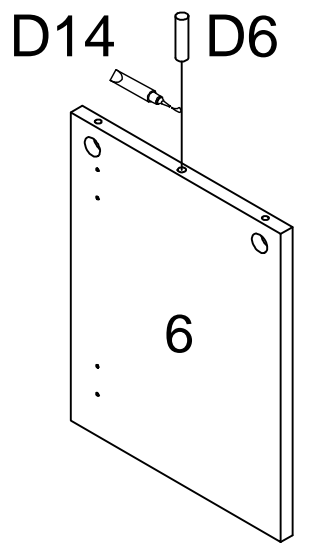
Ref	Dimensions	Visual	Qty
C4	N/A		6
T39	N/A		2
Q17	N/A		4
M20	N/A		3

1

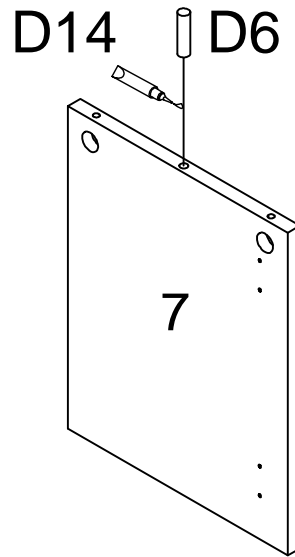


M20	N/A	2	
S5	Ø3 x 12mm	4	  not supplied
B7	Ø7.5 x 35mm	30	  not supplied

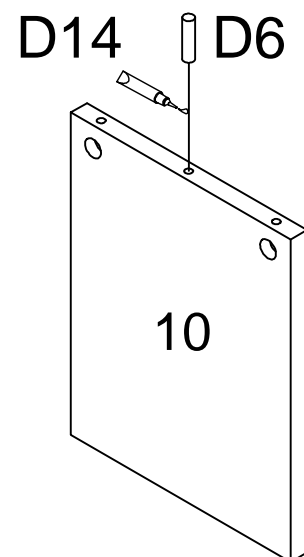
2



6 X 2 UNITS

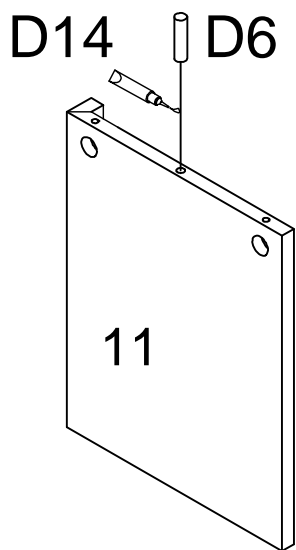


7



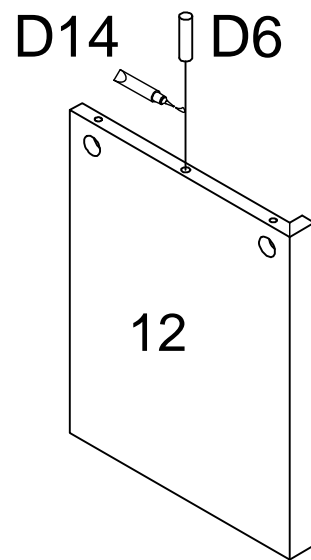
10

10 X 5 UNITS

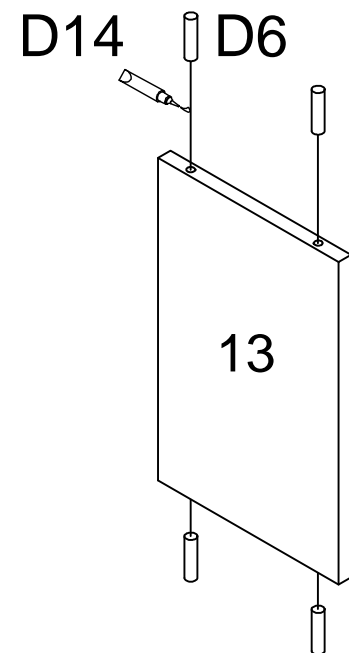


11

11 X 2 UNITS

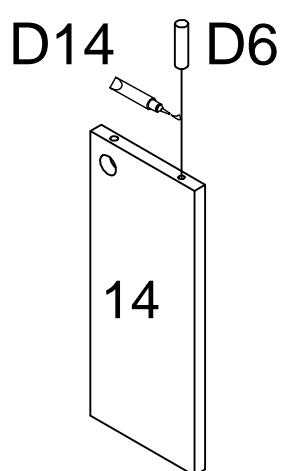


12



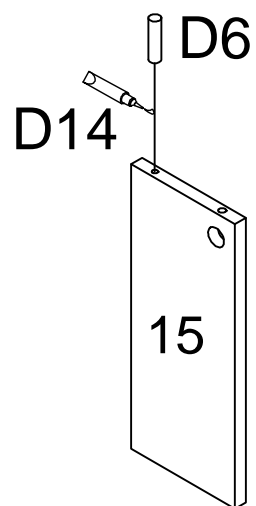
13

13 X 3 UNITS

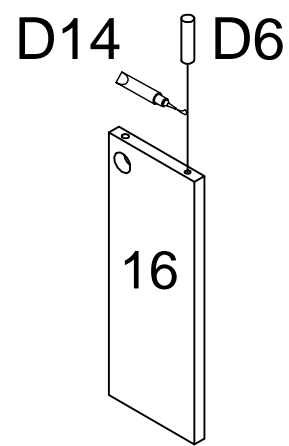


14

14 X 4 UNITS

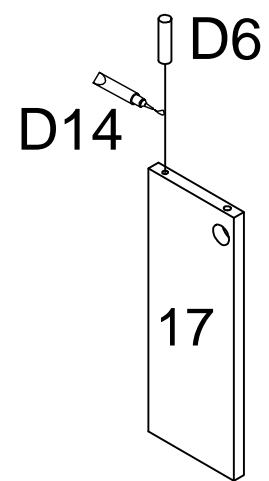


15



16

16 X 2 UNITS



17

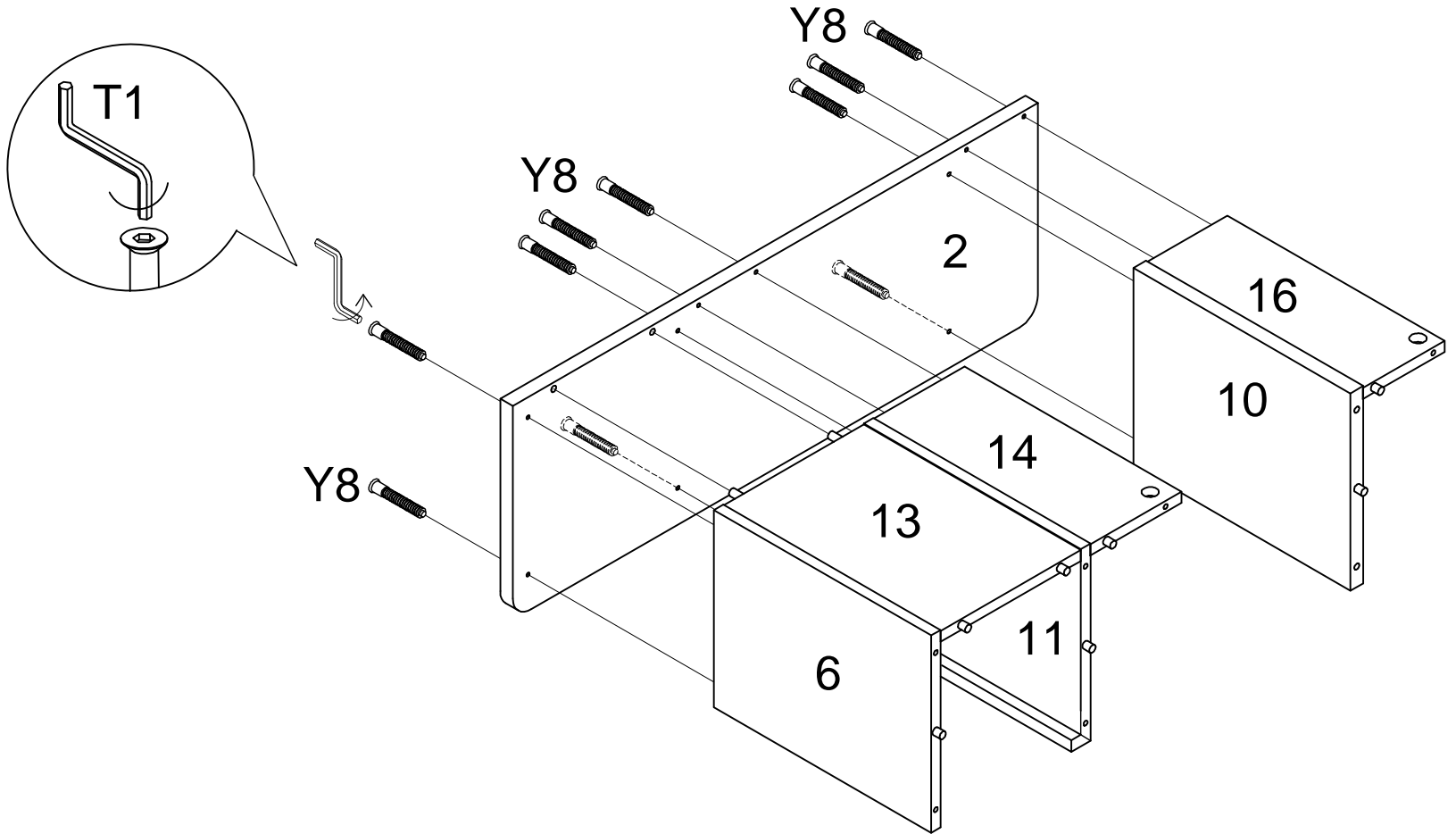
D6

Ø8 x 30mm

31

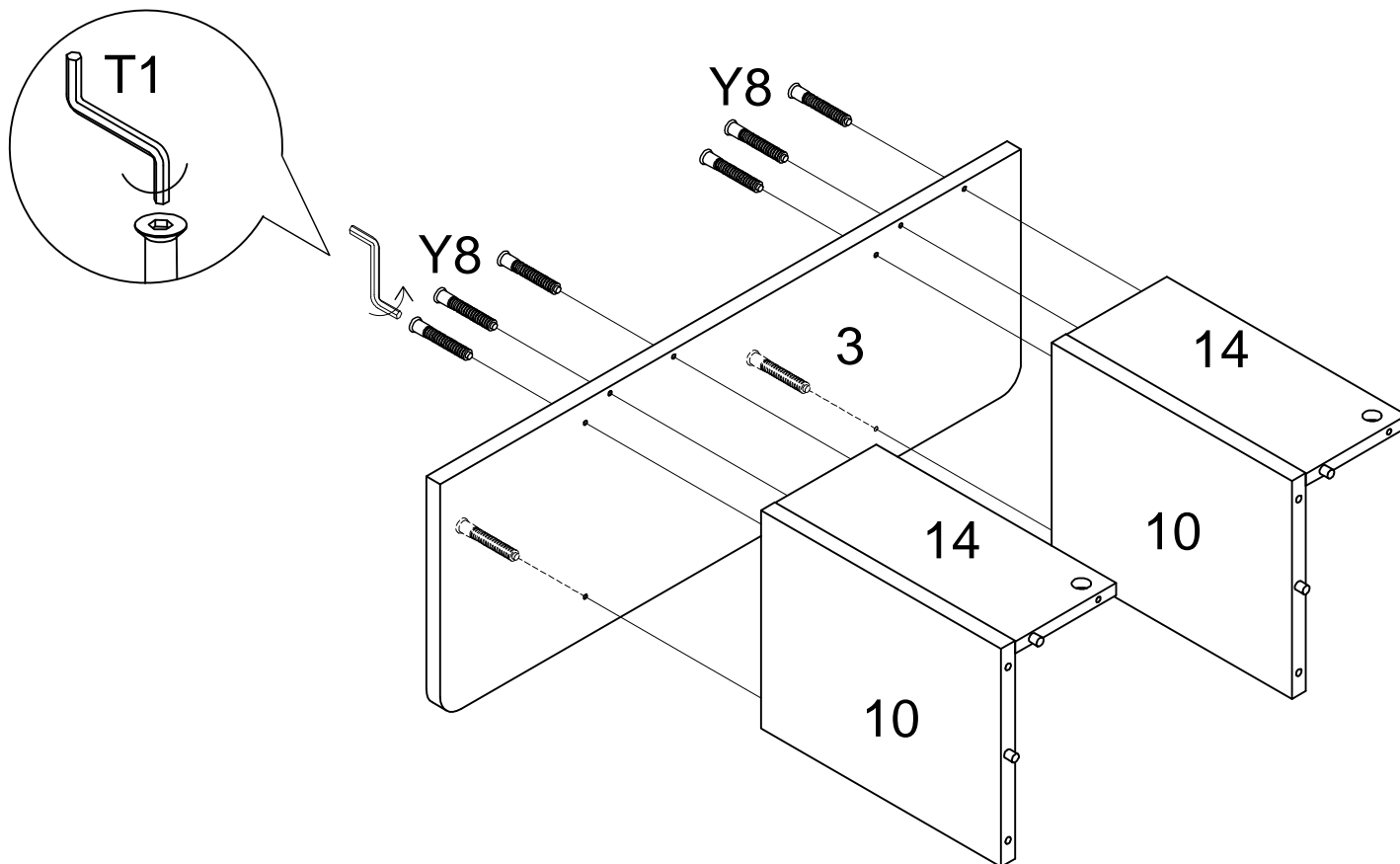


3



Y8	Ø6 x 50mm	10	
----	-----------	----	--

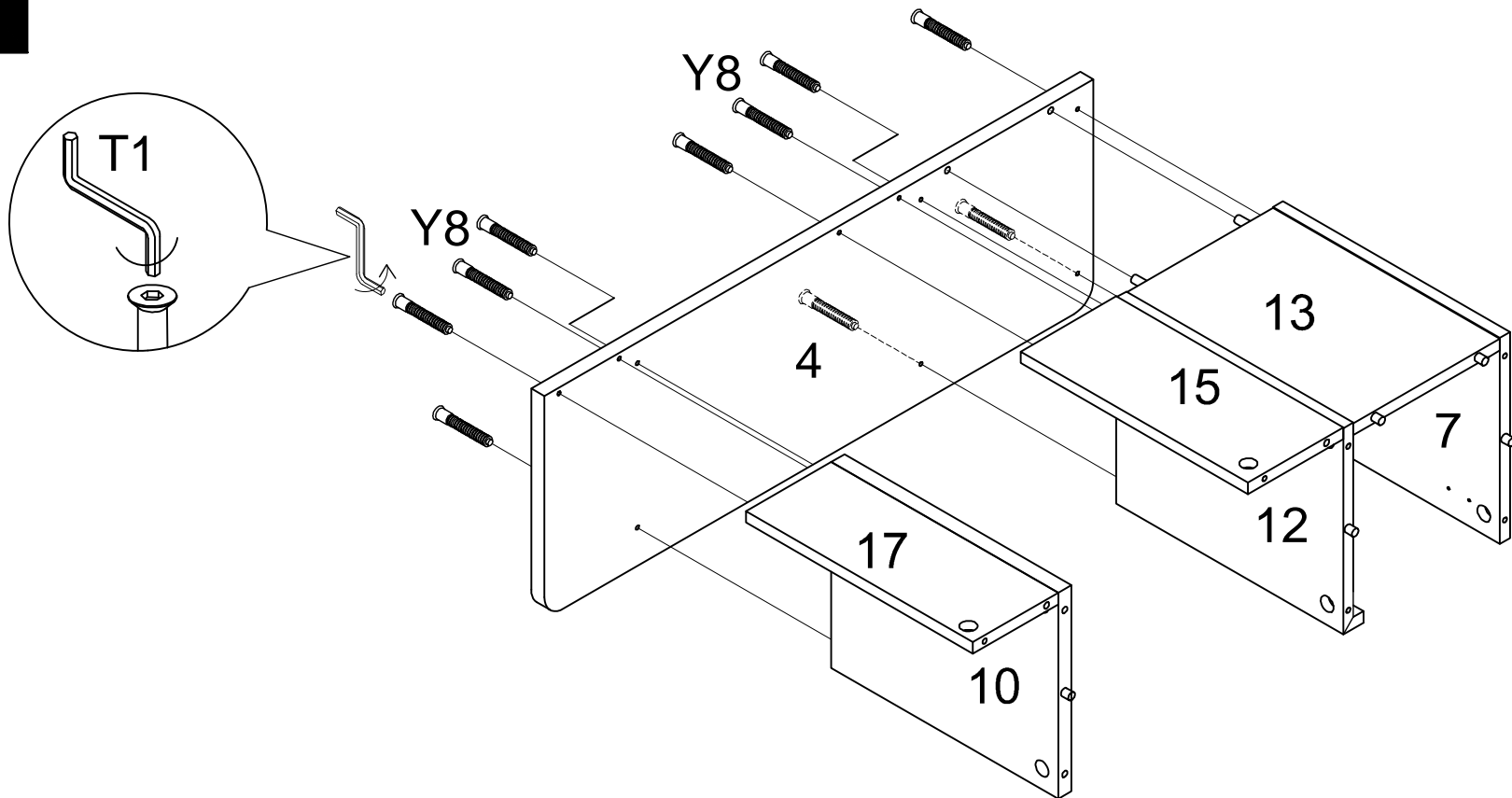
4



Y8	Ø6 x 50mm	8	
----	-----------	---	--

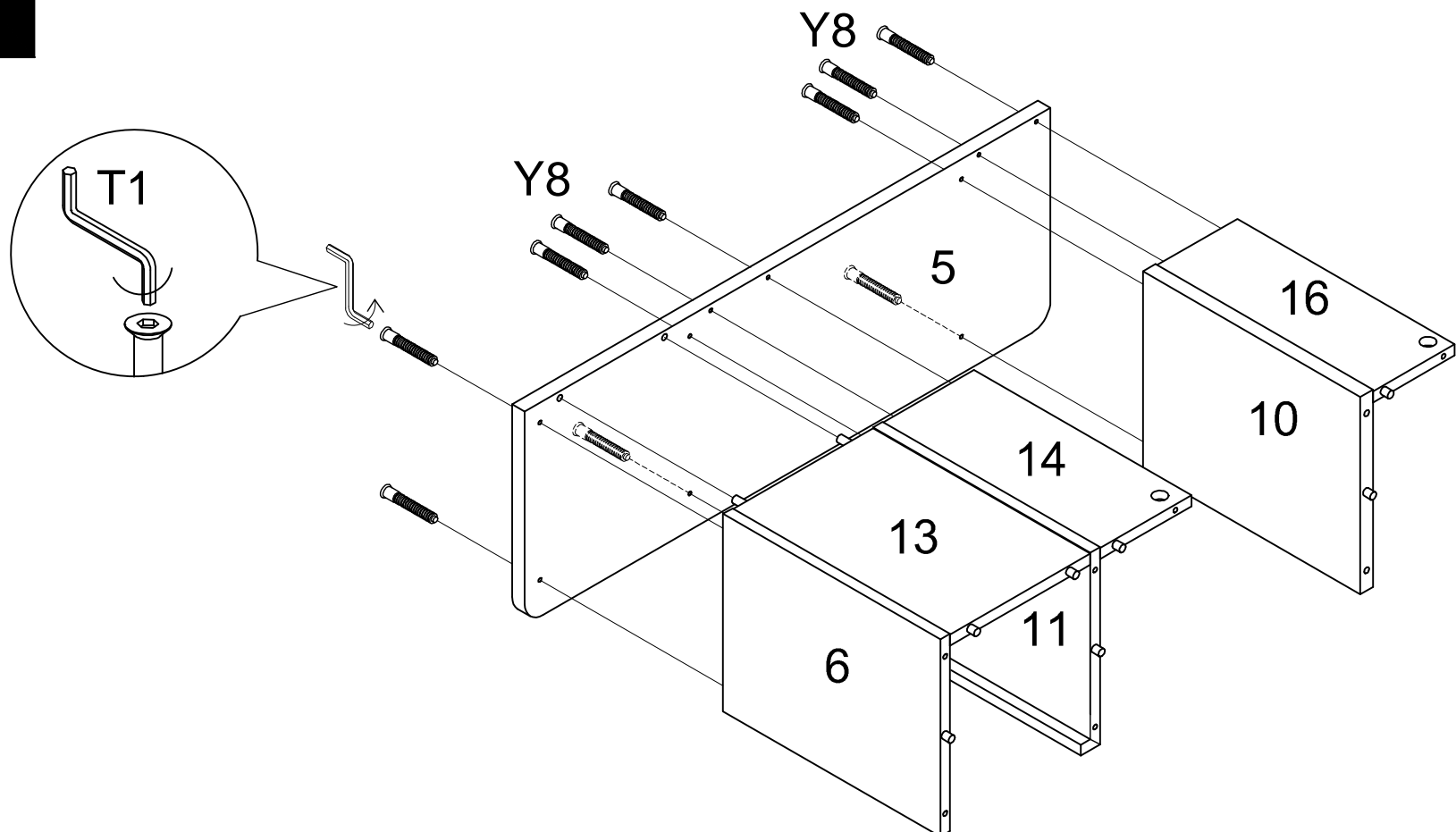


5



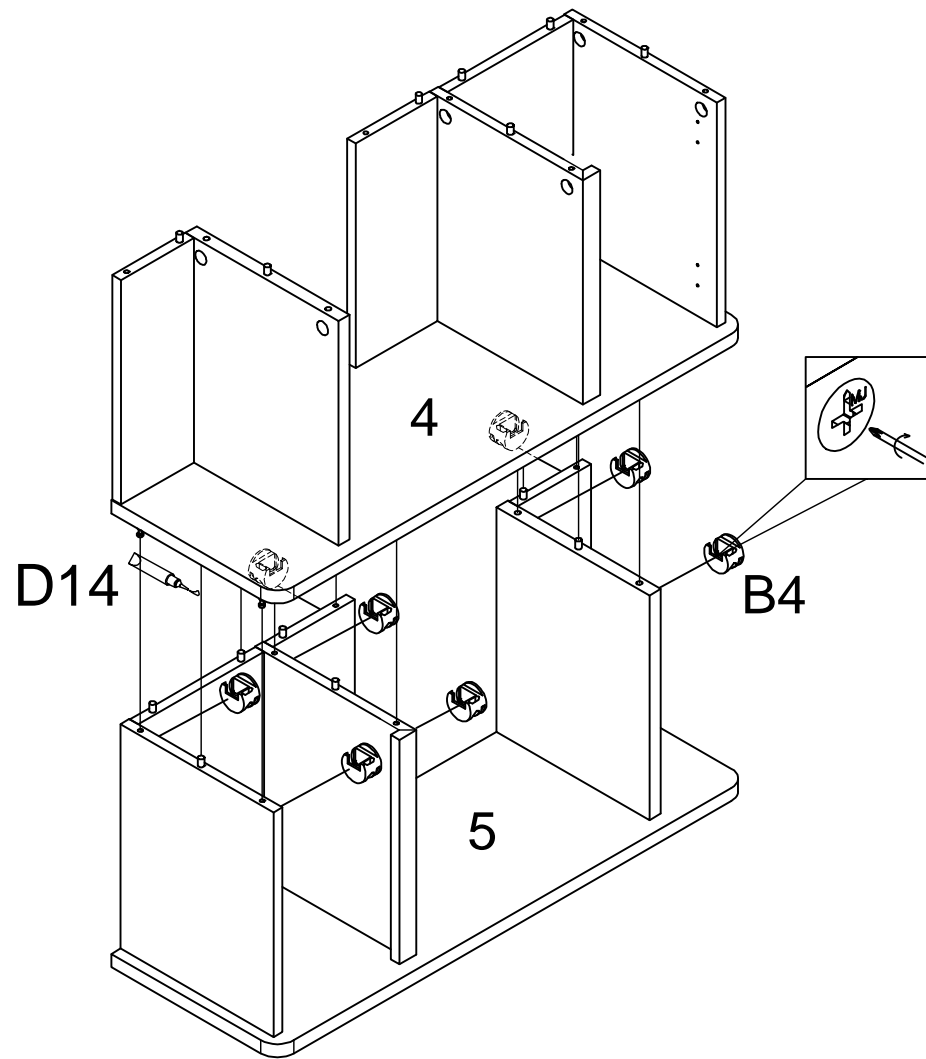
Y8	Ø6 x 50mm	10	
----	-----------	----	--


6



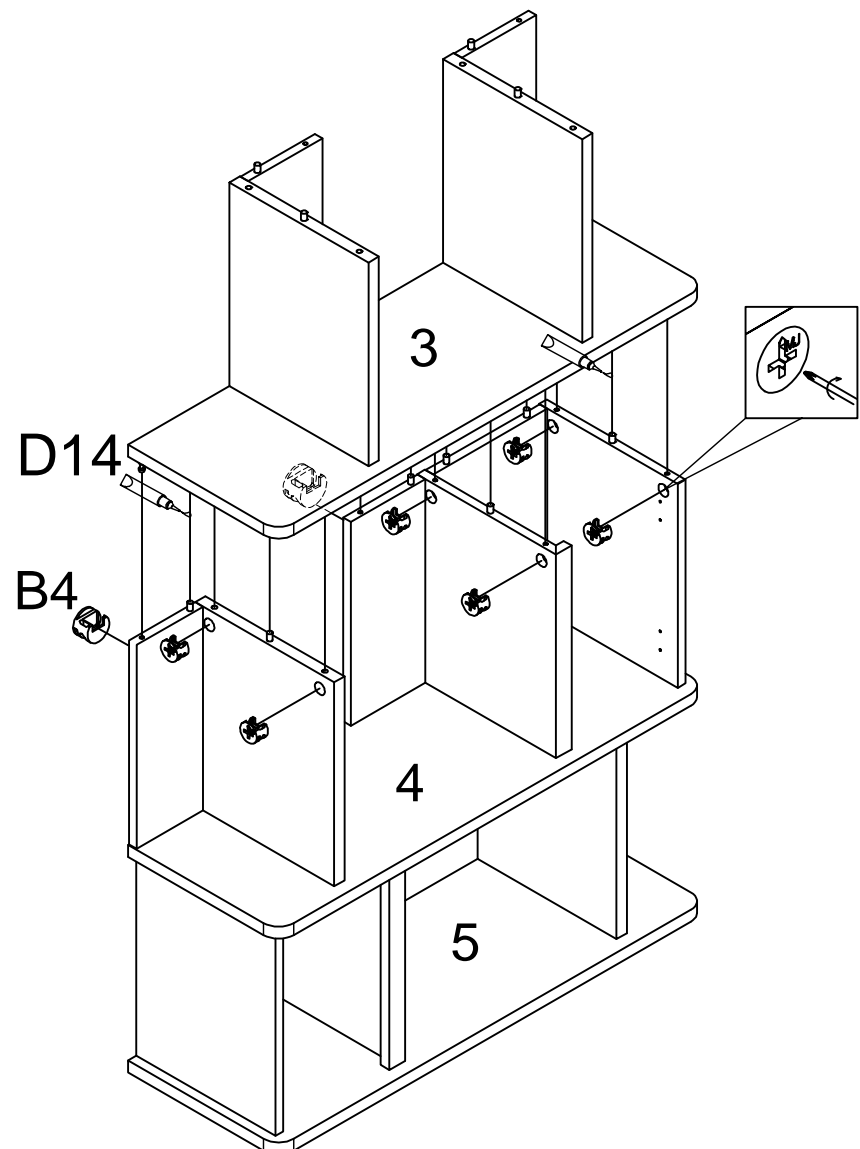
Y8	Ø6 x 50mm	10	
----	-----------	----	--


7



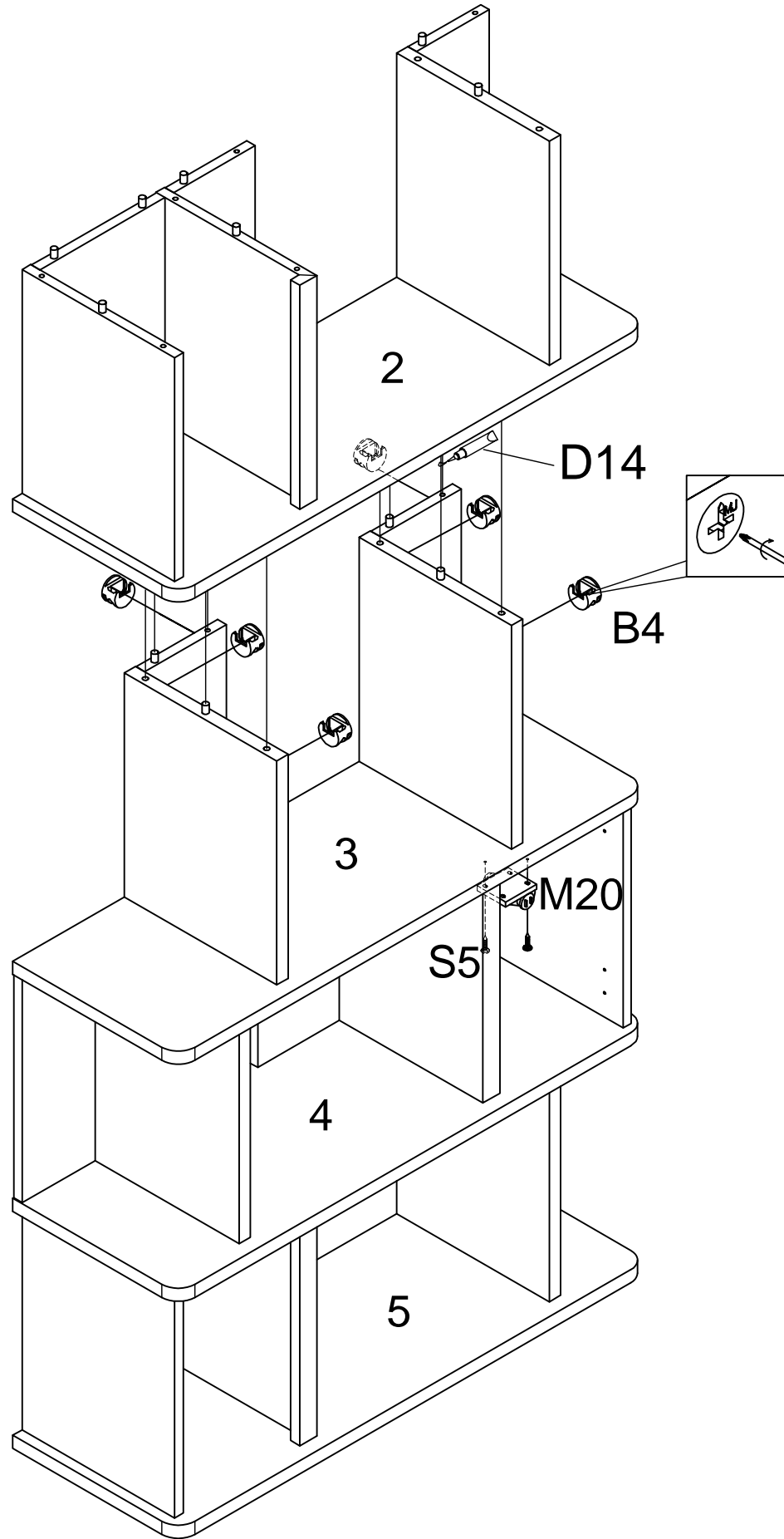
B4	Ø15 x 12mm	8	
----	------------	---	---



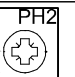
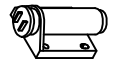


8



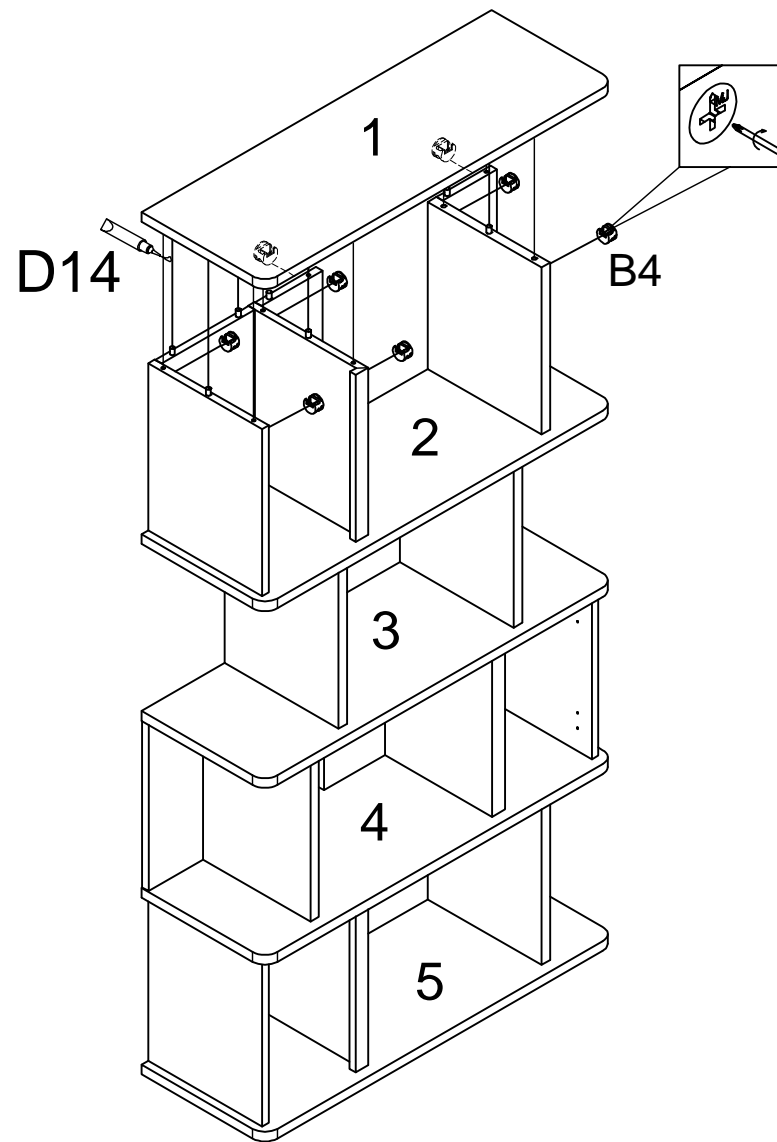
B4	Ø15 x 12mm	8	
----	------------	---	---



9



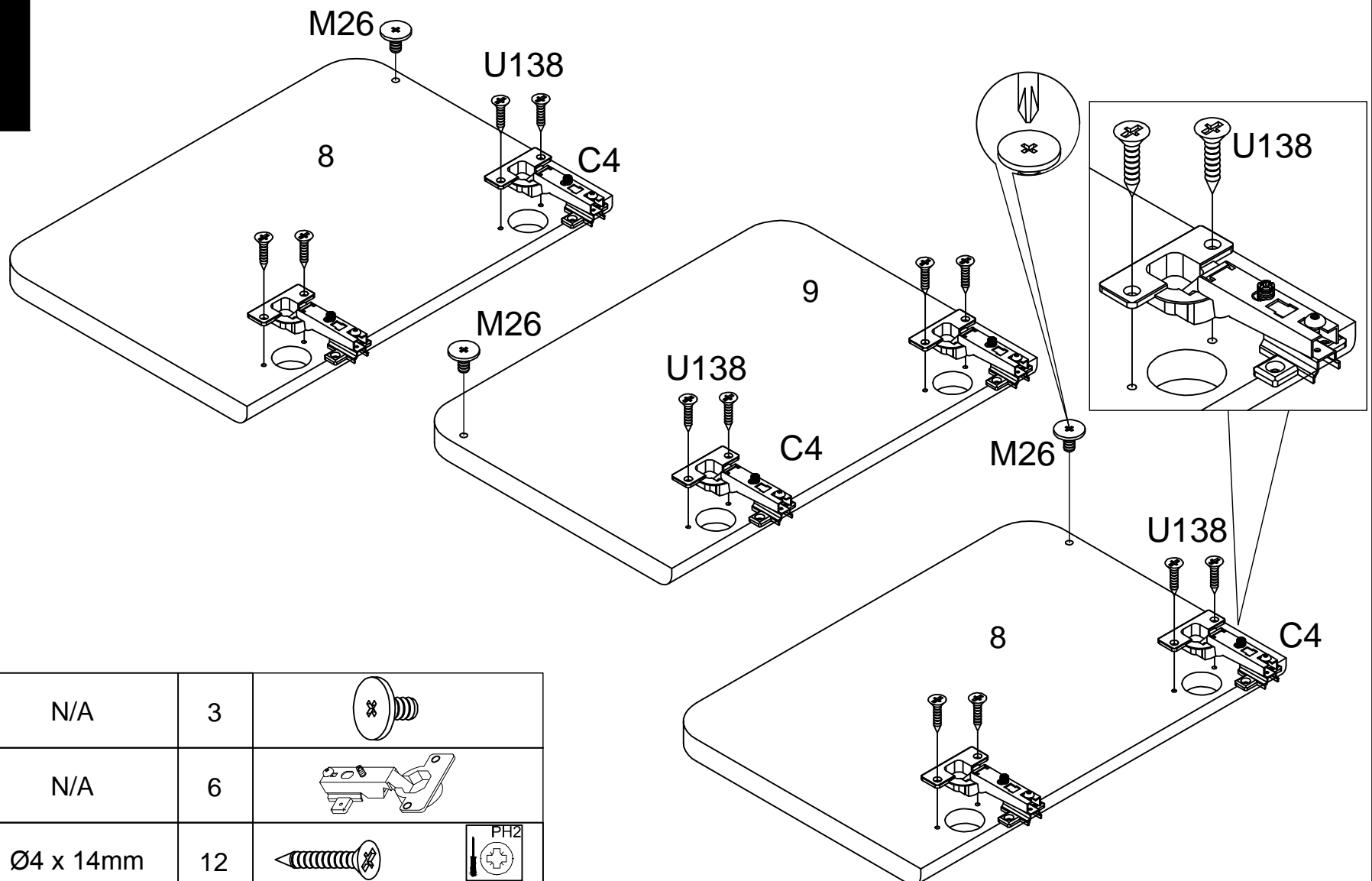
B4	Ø15 x 12mm	6	   not supplied
M20	N/A	1	
S5	Ø3 x 12mm	2	  not supplied

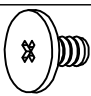
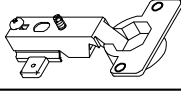


10



B4	Ø15 x 12mm	8	  PH2 not supplied
----	------------	---	---

11

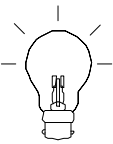


M26	N/A	3	
C3	N/A	6	
U138	Ø4 x 14mm	12	  PH2 not supplied

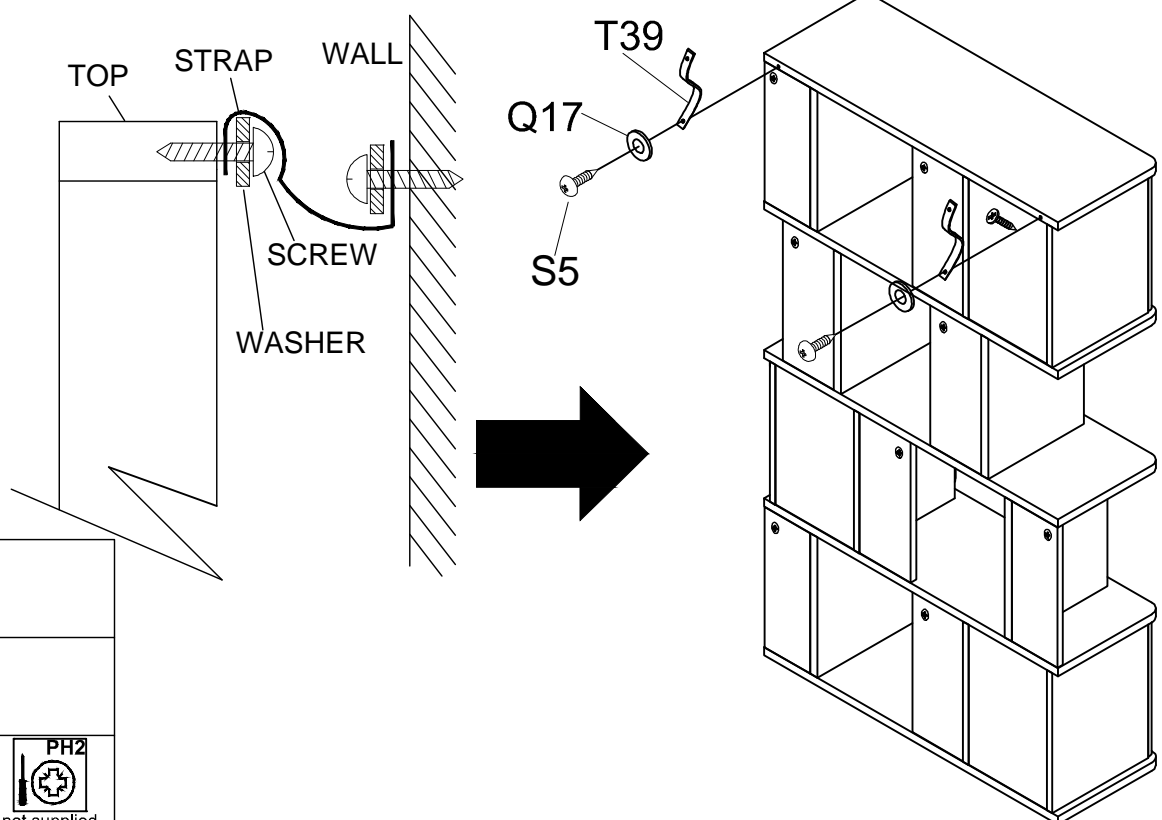
12

O1	25mm(White foil)	6	
O1	25mm(Oak foil)	16	
U138	Ø4 x 14mm	12	not supplied

13



We recommend the use of the wall attachment bracket/strap provided for safety reasons. Using screw and washer secure the 2 x nylon straps (T39) to the back of top panel. Secure the other end of the strap to the wall with an appropriate screw and wall plug for your wall type (not provided). To hide the strap behind the unit, drill the hole lower than the top of unit. Warning: Always ensure intended wall area to be drilled is free from hidden electrical wires, water and gas pipes. NB: Wall fixings are not included-Please source suitable fixing for your wall type. If in doubt please consult a qualified trades person.



T39	N/A	2	
Q17	N/A	4	
S5	Ø3 x 12mm	2	not supplied

next

COPENHAGEN TALL SHELF  
686375

Actual product size  
H151x W85 x D30cm

