

next

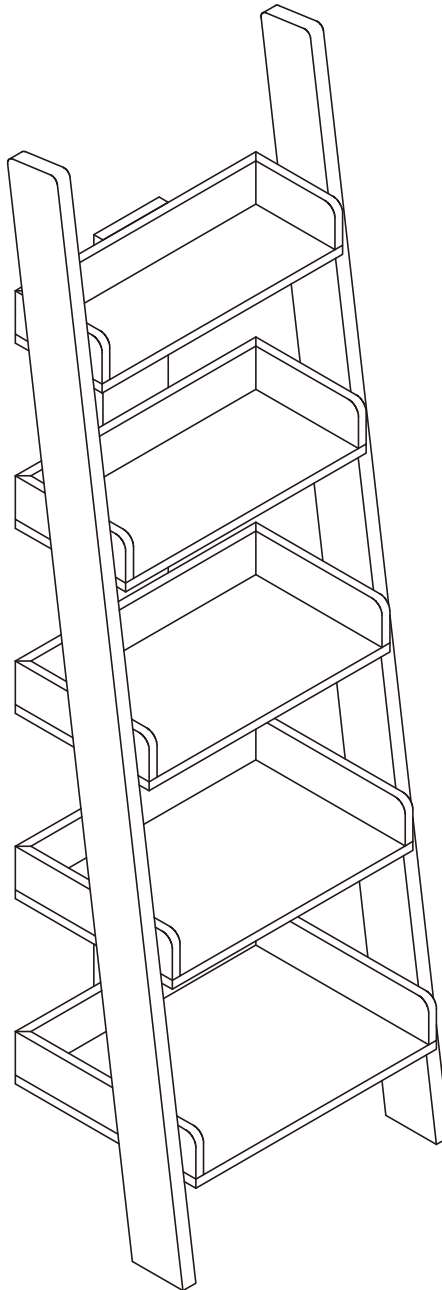
HENRY LADDER

703882

Assembly instructions

Actual product size

H179.5 x W53.2 x D38cm



Need Help?

With: Assembly instructions
Missing or damages parts

CALL: 0333 777 8999

IMPORTANT - RETAIN FOR FUTURE REFERENCE

BEFORE YOU START

Number of people required to assemble

Two people are required to assemble this item

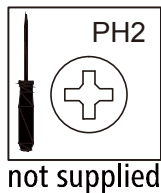


Time to assemble



15min

Tools required



Do's

We suggest you spend a short time reading through this leaflet before you start

When you are ready to start, make sure that you have the right tools and plenty of space

Unwrap all packaging materials and place the components on a clean surface to protect it from damage, we recommend that the packaging is used to protect the surfaces during assembly

Carefully check that you have all the parts before beginning assembly

Due to the size of the product we recommend that it is assembled in the room intended for use

Ensure the product is fully assembled as illustrated and all fixings fully tightened before use

Wipe occasionally with a soft cloth slightly dampened with water. Then buff with a dry clean soft cloth

Wood will mellow and change colour over time, we recommend that ornaments and items placed on the surface are moved regularly for the first few months to prevent uneven mellowing

Don'ts

Do not drag or pull your furniture

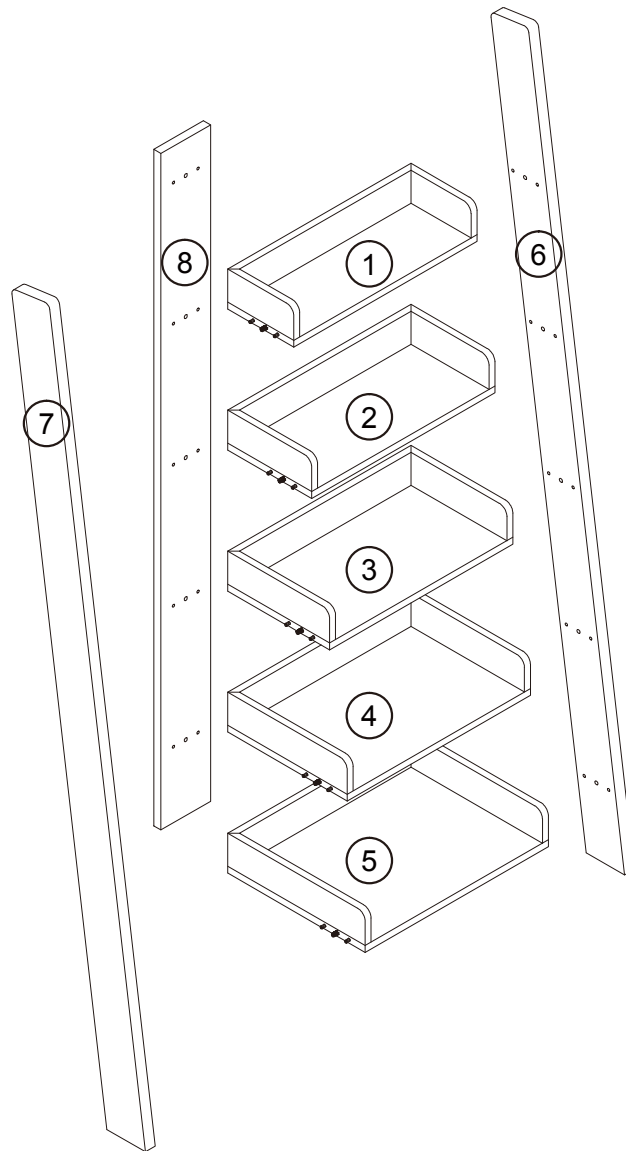
Do not rub or scrub the surface when cleaning

Do not use silicone based furniture polish. Silicone in furniture polishes can break down the finish

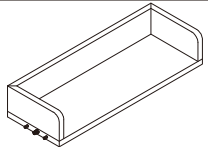
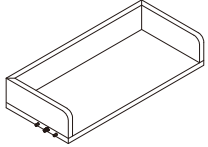
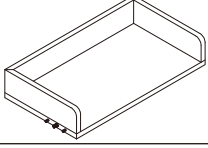
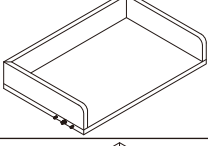
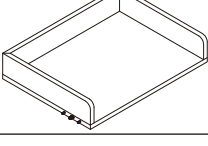
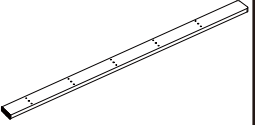
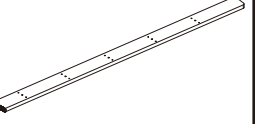
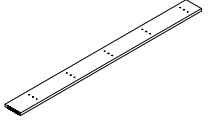
Never allow any kind of liquid to remain on your furniture. Absorption can cause wood to warp or finishes to de-laminate

Do not place hot items (e.g. hot drinks) directly on to the wood surface. Please make sure you use a placemat or coaster

GETTING TO KNOW YOUR PRODUCT

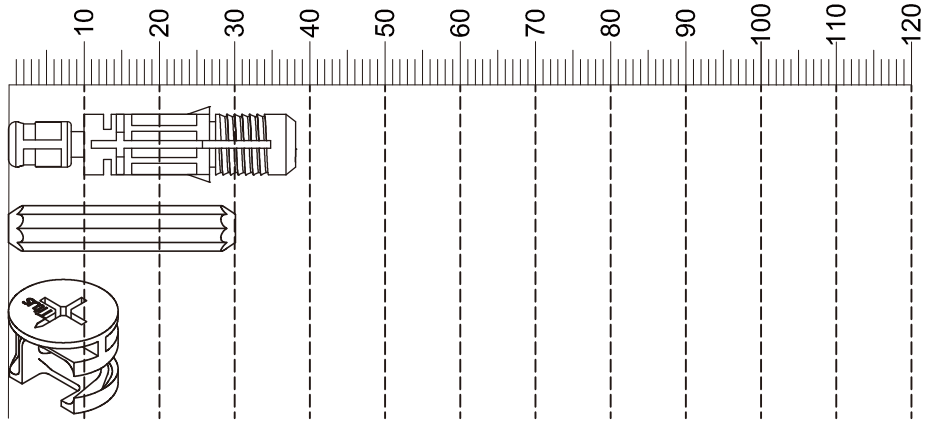


Components supplied. Please use this guide if you require replacement parts

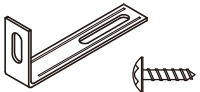
Ref	Dimensions	Visual	Qty	Ctn
1	48 x 17.4cm		1	1
2	48 x 22cm		1	1
3	48 x 26.7cm		1	1
4	48 x 31.3cm		1	1
5	48 x 36cm		1	1
6	181.5 x 10cm		1	1
7	181.5 x 10cm		1	1
8	153.5 x 13cm		1	1

Fixtures and fittings supplied (actual size)

Ref	Dimensions	Qty	Spare Qty
c	Ø8 x 38mm	N/A	2
d	Ø6 x 30mm	N/A	2
f	Ø15 x 12.7mm	N/A	2



Fixtures and fittings supplied (not to scale)

Ref	Dimensions	Qty	Spare Qty	Visual
j	N/A	1	N/A	

next HENRY LADDER

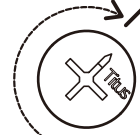
703882
Assembly instructions

1

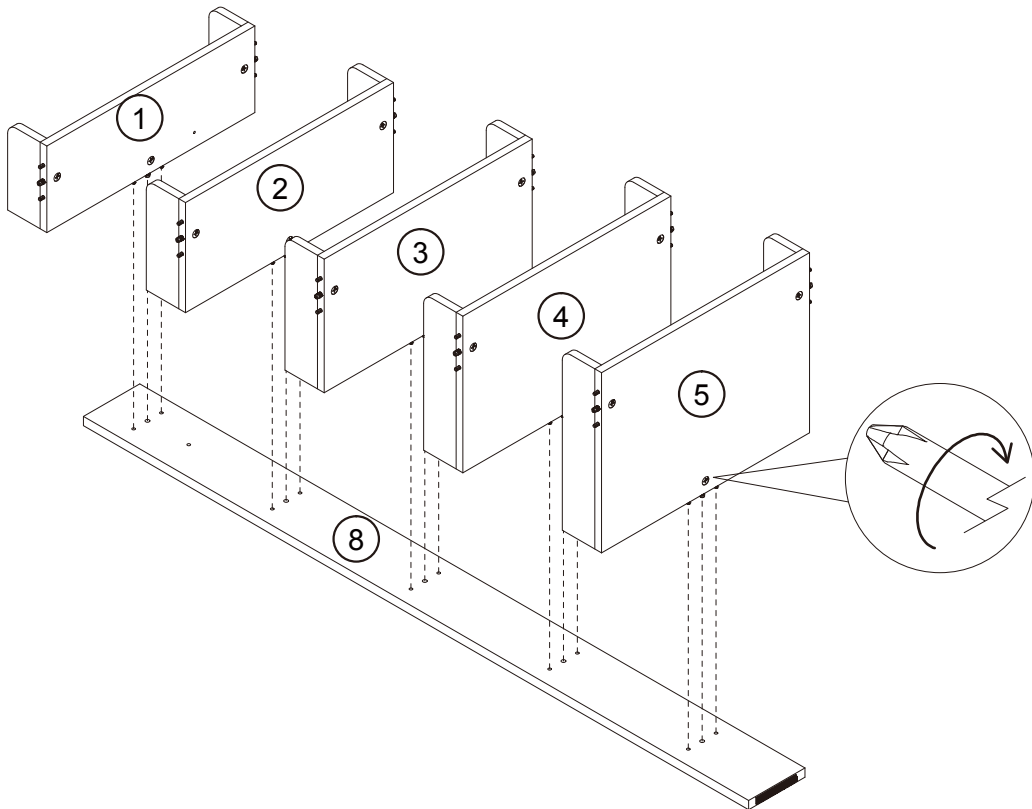
WHEN TIGHTENING THE CAM
TURN THE CAM IN A CLOCKWISE DIRECTION UNTIL THE
ARROW POINTS IN THE POSITIONS SHOWN IN THE
DIAGRAMS BELOW



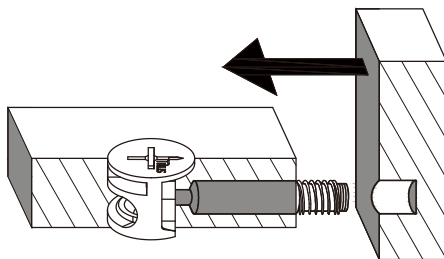
START



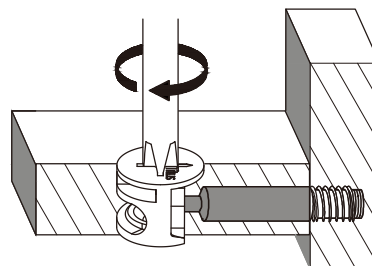
MAXIMUM
LOCK



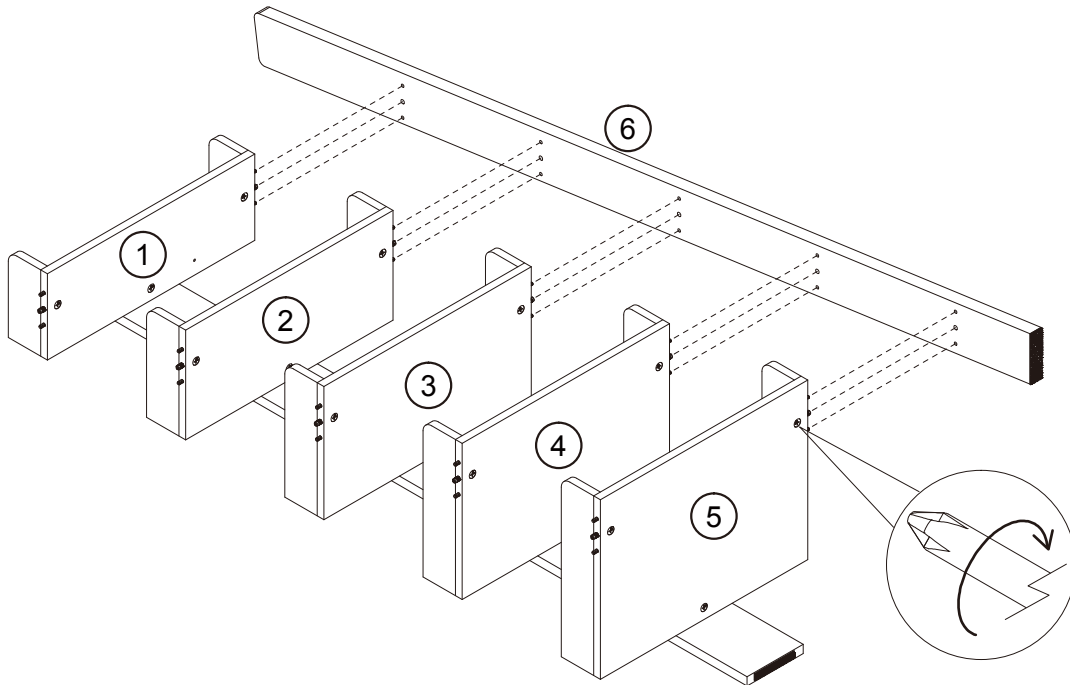
PUSH THE TWO PANELS TOGETHER ALLOWING THE
DOWEL TO ALIGN WITH THE HOLE



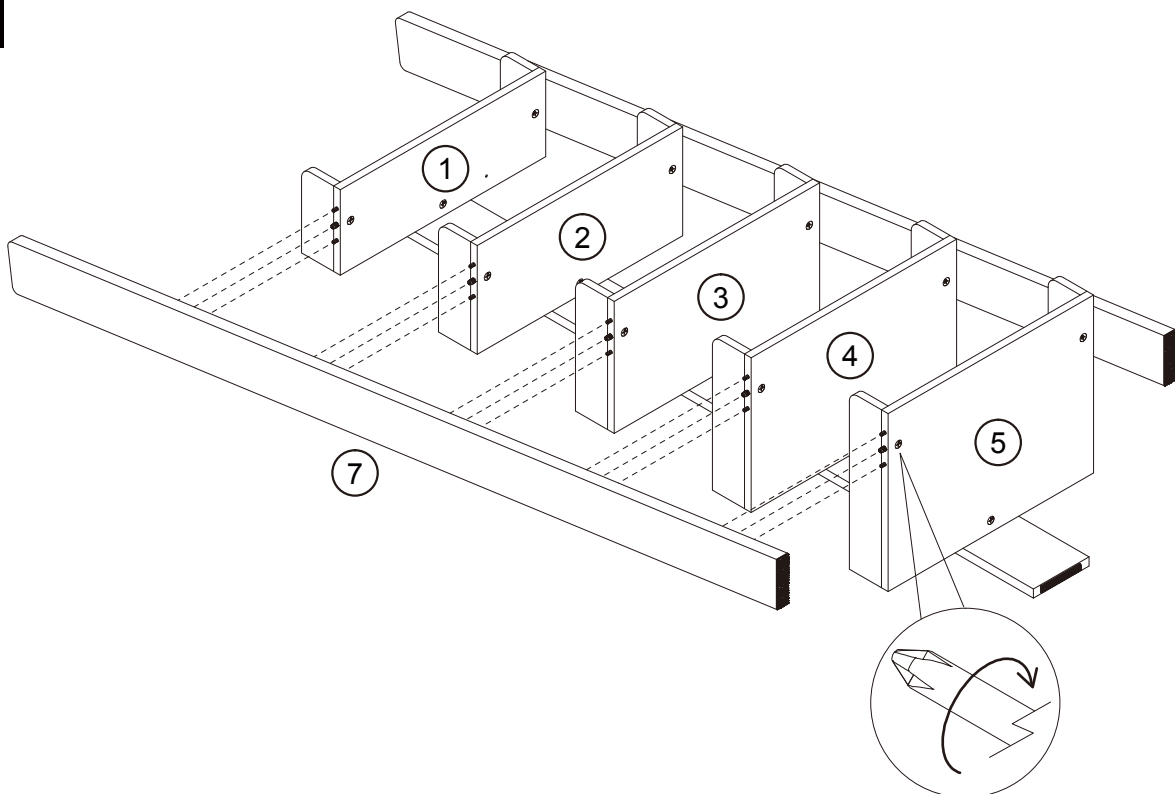
TURN THE CAM IN A CLOCKWISE DIRECTION



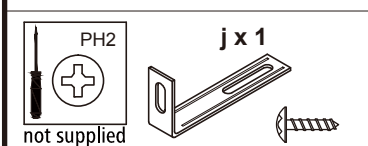
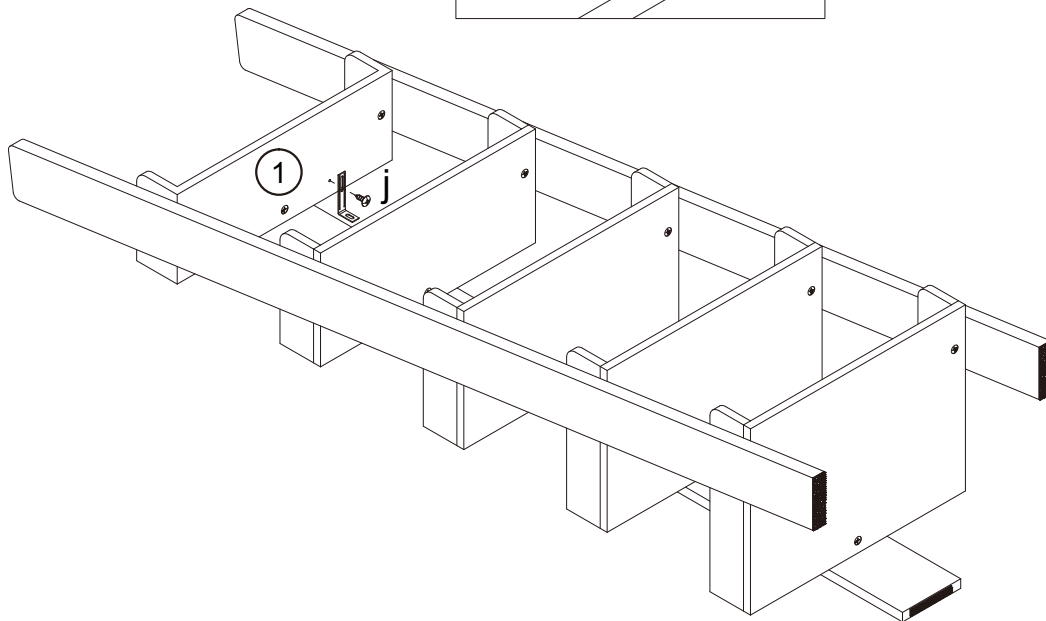
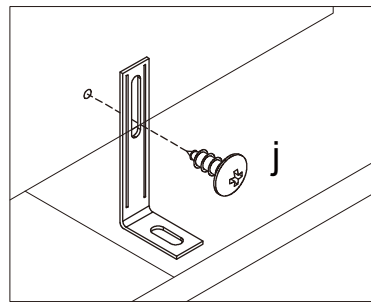
2



3



4



next HENRY LADDER

703882

Assembly instructions

5

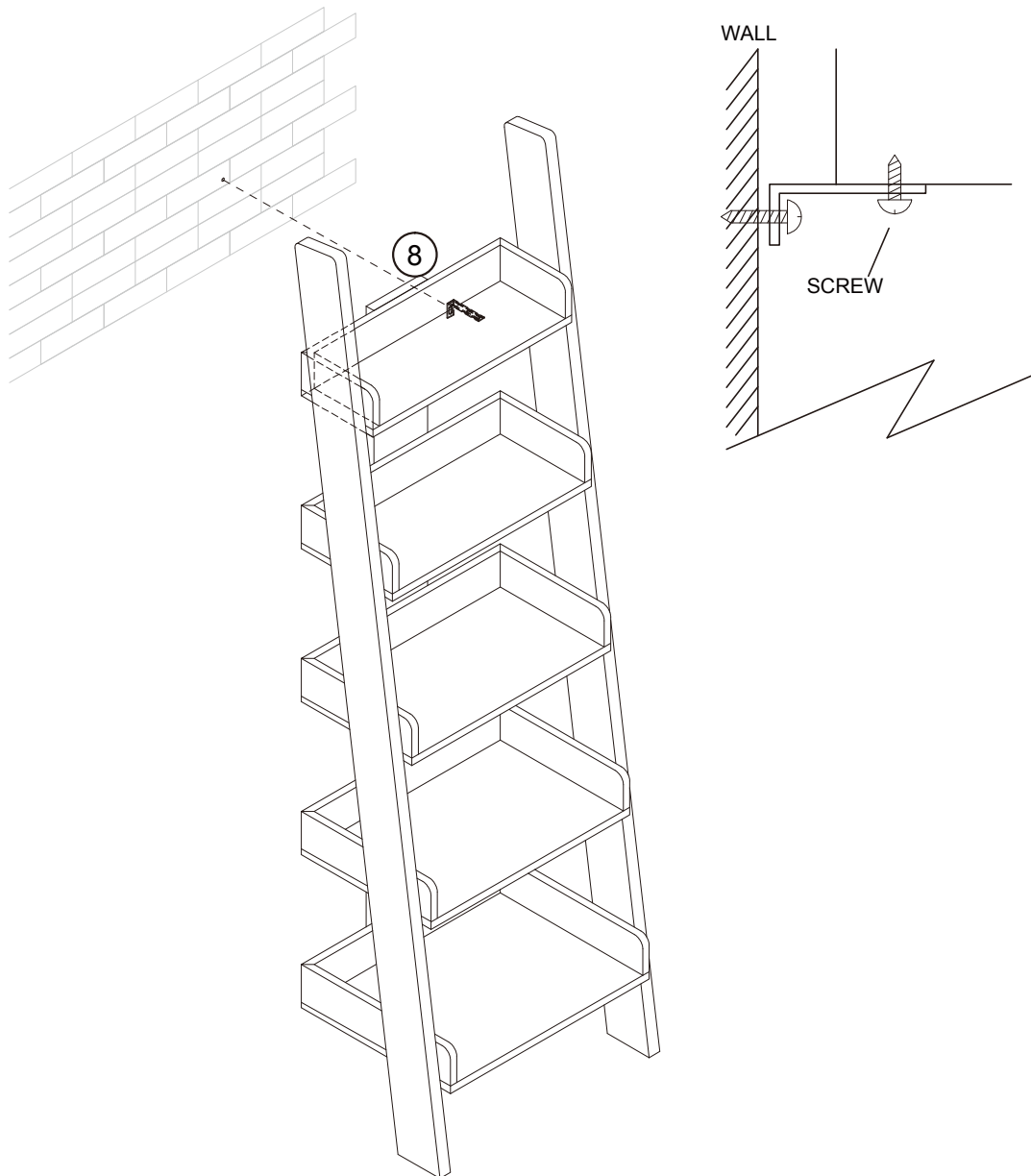
We recommend the use of the wall attachment bracket/strap provided for safety reasons.

Secure the other end of the strap to the wall with an appropriate screw and wall plug for your wall type (not provided).

To hide the strap behind the unit, drill the hole lower than the top of unit.

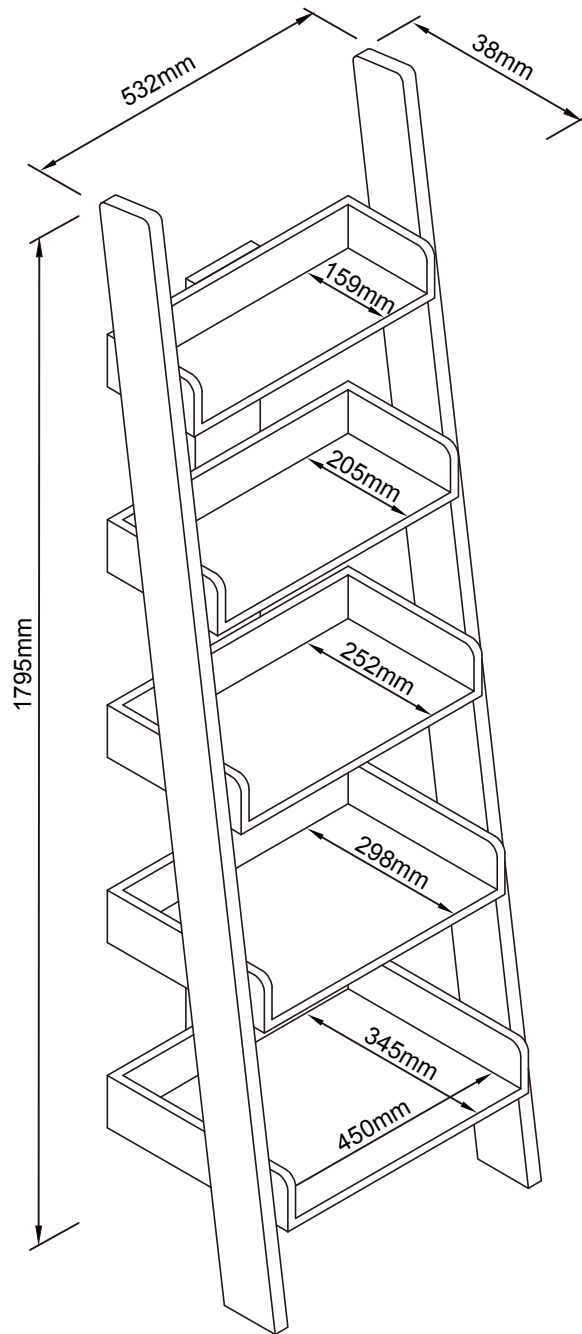
Warning: Always ensure intended wall area to be drilled is free from hidden electrical wires, water, and gas pipes.

If in doubt please consult a qualified trades person.



next HENRY LADDER
703882

Actual product size
H179.5 x W53.2 x D38cm



Warnings

We suggest you retain these instructions for future reference.

Keep fittings out of children's reach and keep children well away from construction area.

This product should only be used on firm level ground.

Please periodically check all fittings and re-tighten as necessary.

Please do not sit or stand on your furniture.

Avoid exposing the furniture to excessive heat or direct sunlight as this can cause deterioration of the colour.

Unwrap all packaging materials and place the components on top of the carton box or on a clean floor to protect it from damage

Missing parts

If you are missing any fixtures and fittings for your product. Please contact our customer service team on 0333 777 8999 and they will be happy to arrange for a replacement to be sent to you free of charge.

Home service technicians

If you have a fault with your product, please contact our customer service team on 0333 777 8999. If you have had the product for 28 days or less you may be offered a replacement, refund or for a fully trained home service technician to visit your home to assess the fault and repair the product where possible. If you have had the product for more than 28 days we will send an independent home service technician to review and repair the product where possible and recommend further action.

You can write to us at

Home Customer Services
Next Retail Ltd.
Desford Road,
Leicester,
LE19 4AT

To view our full furniture range please visit www.next.co.uk