

# BEFORE YOU GET STARTED...

*We're confident you'll love your gorgeous new Next furniture. However, it's worth making absolutely certain before you put it all together.*

*So, let's quickly run through these three steps:*

## 1. COLOUR

Make sure you're happy with the colour  
No need to unpack everything, just check the first component.

## 2. PROTECTIVE PACKAGING

If you're happy, then it's time to get opening! Start by laying everything out on the protective packaging – this will prevent anything getting scratched.

## 3. PARTS PAGE

Finally, double check you have all the pieces by referencing the parts page of the instructions.

## TIPS FOR RETURNS

Not completely happy with the product? No problem. We just need everything back in the original packaging, so follow the steps below and this will ensure a super-smooth returns process and no delay to your refund.

DO



- Check everything is there (the 'parts page' is a handy checklist).
- Pop all the loose fittings and fixtures into the packaging provided or tie them up in a plastic bag.
- Wrap all the big components back up in the original protective packaging.
- Close up the box and seal it securely (don't be afraid to use plenty of tape).

DON'T



- Leave anything assembled - all components should be dismantled and separately packed.
- Put loose fixtures and fittings straight into the box.
- Throw it back in the box carelessly – as it may get damaged.

next  
HOME

Then just give us a call on 0333 777 8999 and we'll sort out a pick up time for you.

# GREENWICH TWO STORAGE BED SUPERKING

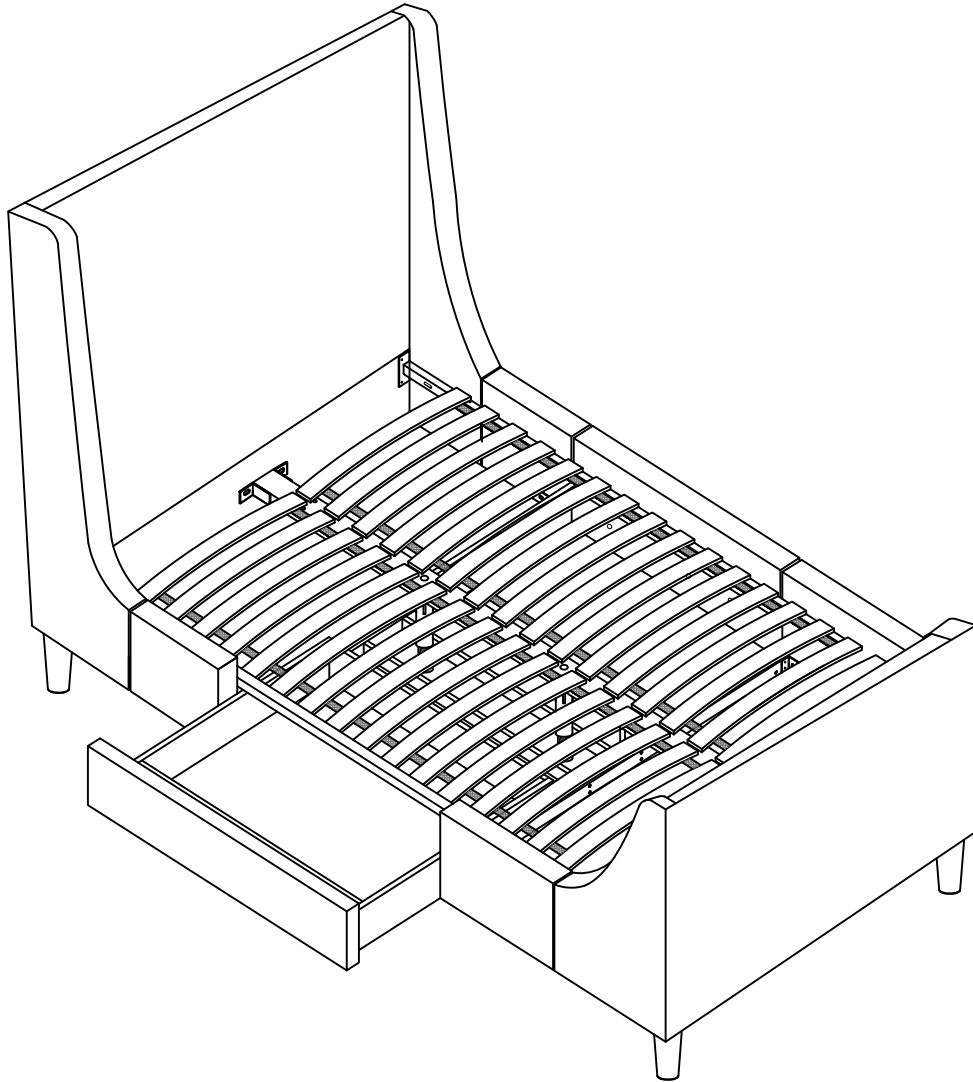
467544/727807/423189/977404/466294

next

Assembly instructions

## Actual product size

W194cm X L237cm X H105cm



## Fabric content

466294-100%polyester

467544-100%polyester

727807-100%polyester

423189-100%polyester

977404-51%wool,30%viscose,19%polyester

**IMPORTANT - RETAIN FOR FUTURE REFERENCE**

## Need Help?

With: Assembly Instructions

Missing or damaged parts

**CALL: 0333 777 8999**

# GREENWICH TWO STORAGE BED SUPERKING

467544/727807/423189/977404/466294

next

Assembly instructions

## BEFORE YOU START

### Warnings

- We suggest you retain these instructions for future reference.
- Keep fittings out of children's reach and keep children well away from construction area.
- This product should only be used on firm, level ground.
- Please periodically check all fittings and re-tighten as necessary.
- Please do not stand on your furniture.
- Avoid exposing the furniture to excessive heat or direct sunlight as this can cause deterioration of the colour.

### Do's

- We suggest you spend a short time reading through this leaflet before you start.
- When you are ready to start, make sure that you have the right tools, plenty of space.
- Due to the size of this product we recommend that it is assembled in the room intended for use.
- Unwrap all packaging materials and place the components on a clean surface to protect them from damage.
- We recommend that the packaging is used to protect the surfaces during assembly.
- Carefully check that you have all the parts before beginning assembly.
- Ensure the product is fully assembled as illustrated and all fixings are fully tightened before use. Check fixings regularly to ensure they remain tight.
- When moving your assembled bed, it is best to lift the bed and never to drag it. Please check that the centre support rail is securely fixed in place.
- When adjusting the support legs ensure that the foot is set 5mm from the floor surface without the mattress in place. When in use the legs will create the required support for the product.
- Never allow any kind of liquid to remain on your furniture. Absorption can cause materials to warp or finishes to de-laminate.

To clean your item, please use a vacuum or lightly brush clean.

### Don'ts

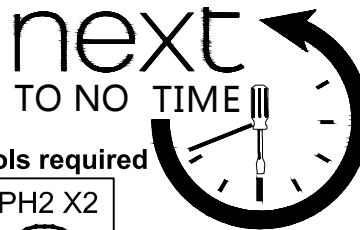
- Do not tighten screws until fully assembled.
- Do not over tighten screws or bolts.
- Do not drag or pull your furniture.
- Do not use this product if parts are missing, damaged or worn.
- Never use scourers, abrasives or chemical cleaners.

### Number of people required to assemble

Two people are required to assemble this item

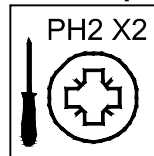


### Time to assemble



30min

### Tools required



not supplied

### Missing parts

If you are missing any fixtures and fittings for your product please contact our customer service team on **0333 777 8999** and they will be happy to arrange for a replacement to be sent to you free of charge.

### Home service technicians

If you have a fault with your product please contact our customer service team on **0333 777 8999**. If you have had the product for 28 days or less you may be offered a replacement, refund or for a fully trained home service technician to visit your home to assess the fault and repair the product where possible. If you have had the product for more than 28 days we will send an independent home service technician to review and repair the product where possible and recommend further action.

### You can write to us at

Home Customer Services  
Next Retail Ltd,  
Desford Road,  
Leicester,  
LE19 4AT,

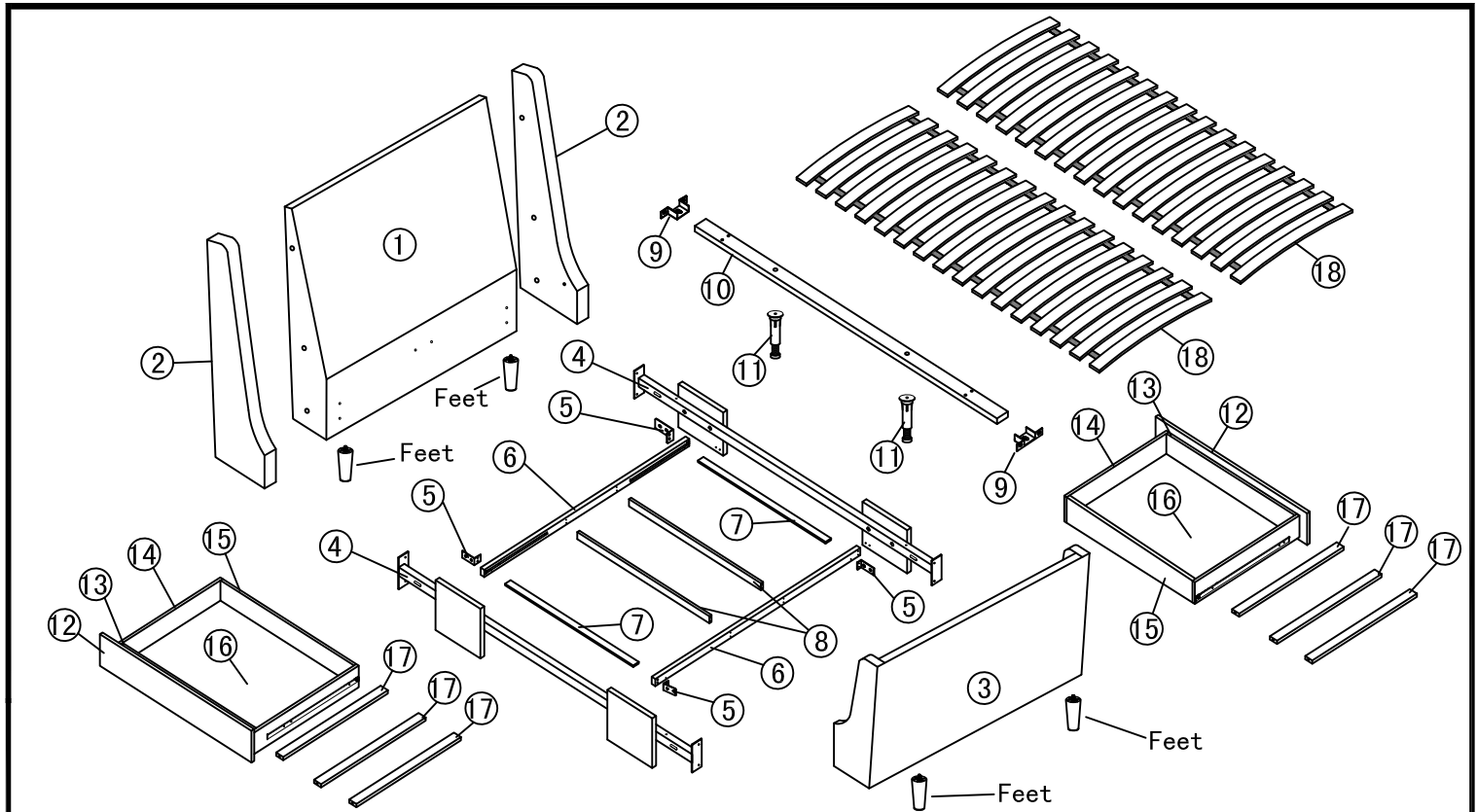
To view our full furniture range please visit [www.next.co.uk](http://www.next.co.uk)

# GREENWICH TWO STORAGE BED SUPERKING

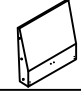

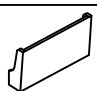
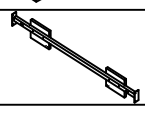
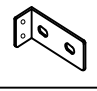

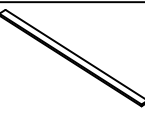
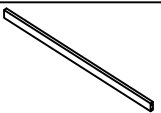
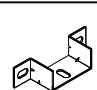
467544/727807/423189/977404/466294

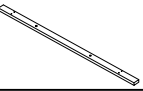

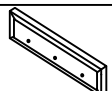
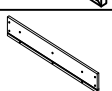





next

## Assembly instructions



Components supplied. Please use this guide if you require replacement parts.

Ref	Dimensions	Visal	Qty	Ctn
1	Headboard		1	1
2	Wing		2	2
3	Footboard		1	3
4	Side Rails		2	4
5	Brackets		4	4
6	Runners		2	4
7	Runner Supports		2	4
8	Runner Supports		2	4
9	Brackets		2	4

Ref	Dimensions	Visal	Qty	Ctn
10	Center Support		1	4
11	Support legs (220mm-330mm)		2	4
12	Drawer front		2	6
13	Inner drawer front		2	6
14	Drawer side		4	6
15	Drawer back		2	6
16	Drawer base board		2	6
17	Drawer supporter		6	6
18	Slats		32	5

# GREENWICH TWO STORAGE BED SUPERKING

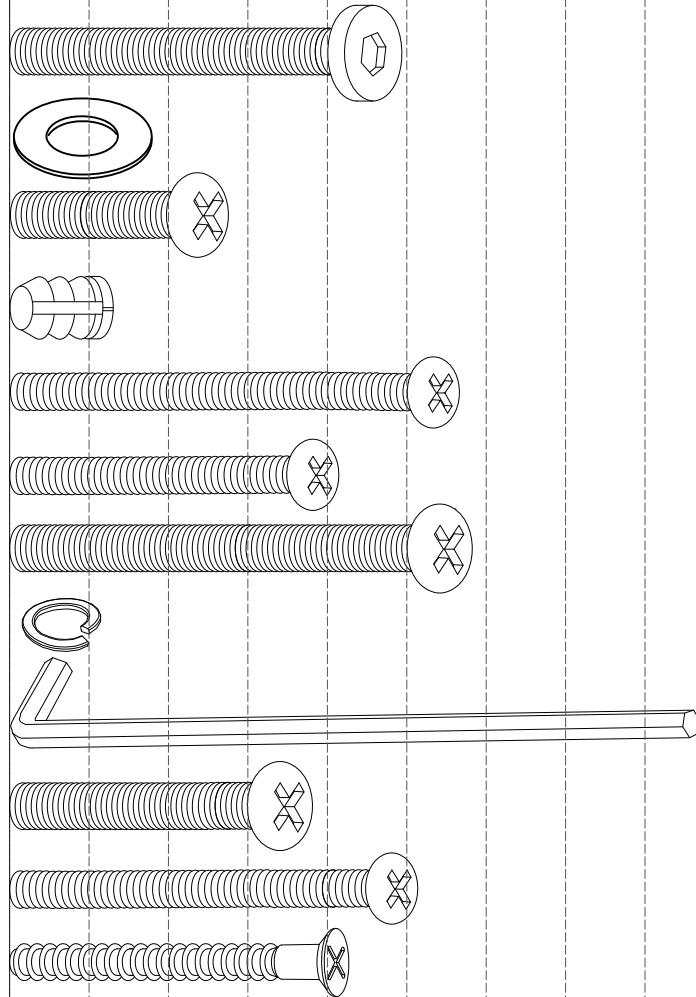
467544/727807/423189/977404/466294

next

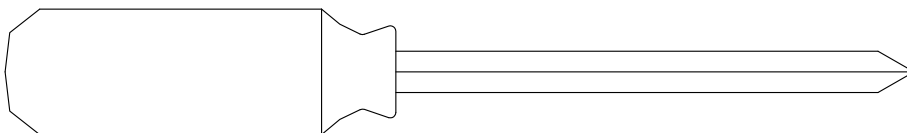
## Assembly instructions

10 20 30 40 50 60 70 80 90 100 110 120

Ref	Dimensions	Qty
A	M8x40	6
B	M8x19	48
C	M8x20	30
D	M6x13	8
E	M6x50	4
F	M6x35	4
G	M8x50	6
H	M8	4
I	M5	2
J	M8x30	6
K	M6x45	12
L	M7x38	28



(Items not shown scale)



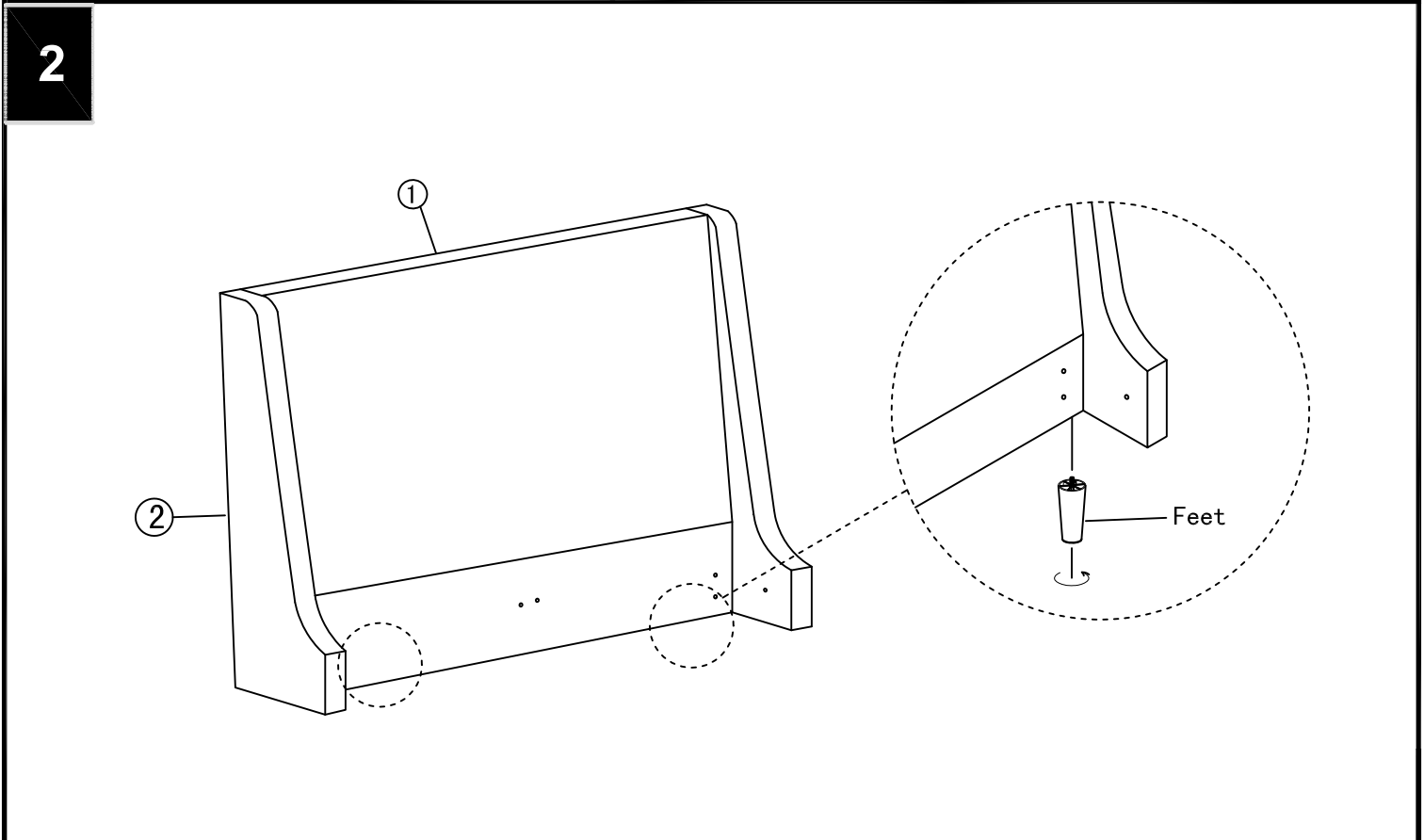
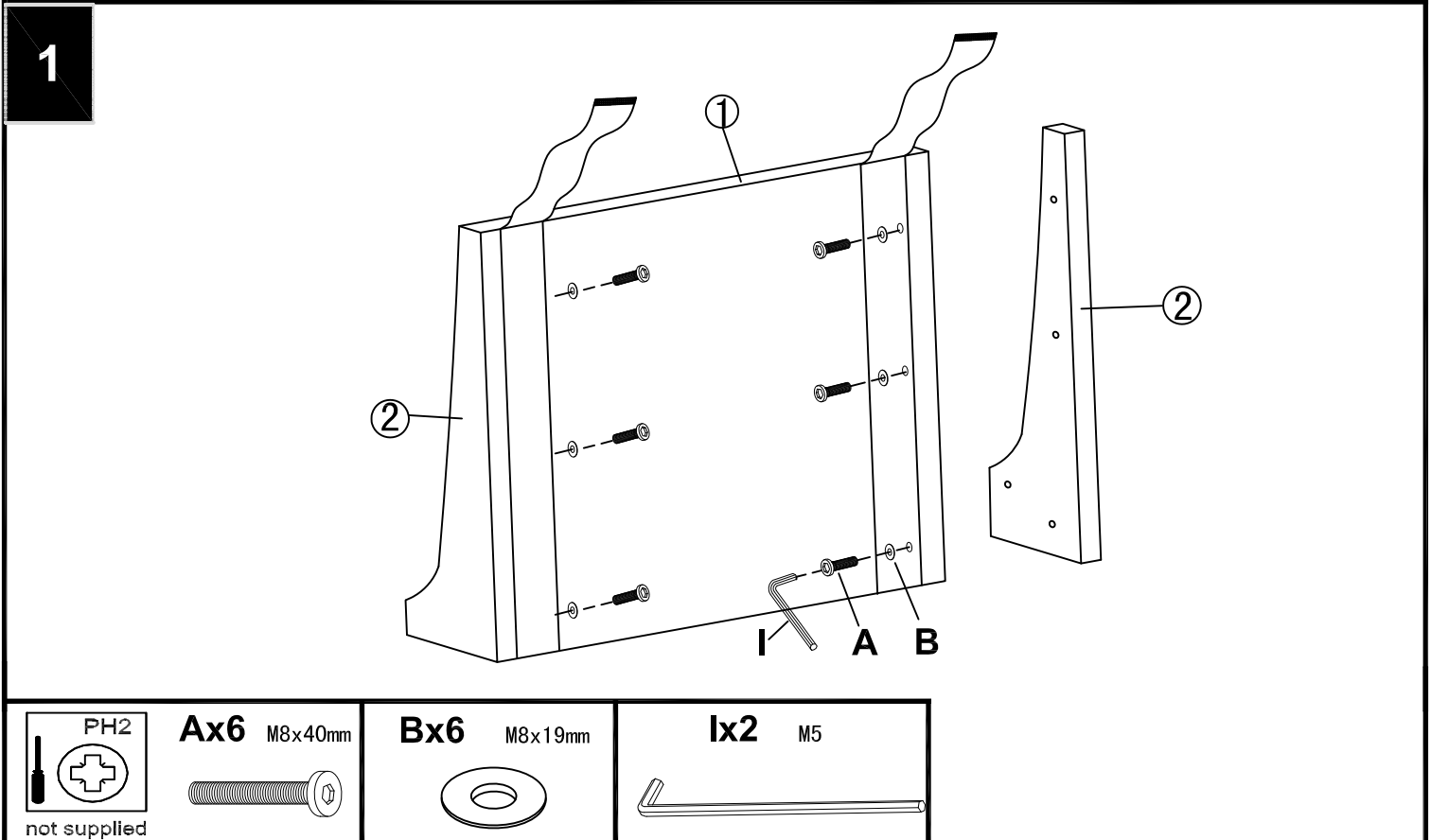
NOT SUPPLIED

# GREENWICH TWO STORAGE BED SUPERKING

467544/727807/423189/977404/466294

next

Assembly instructions



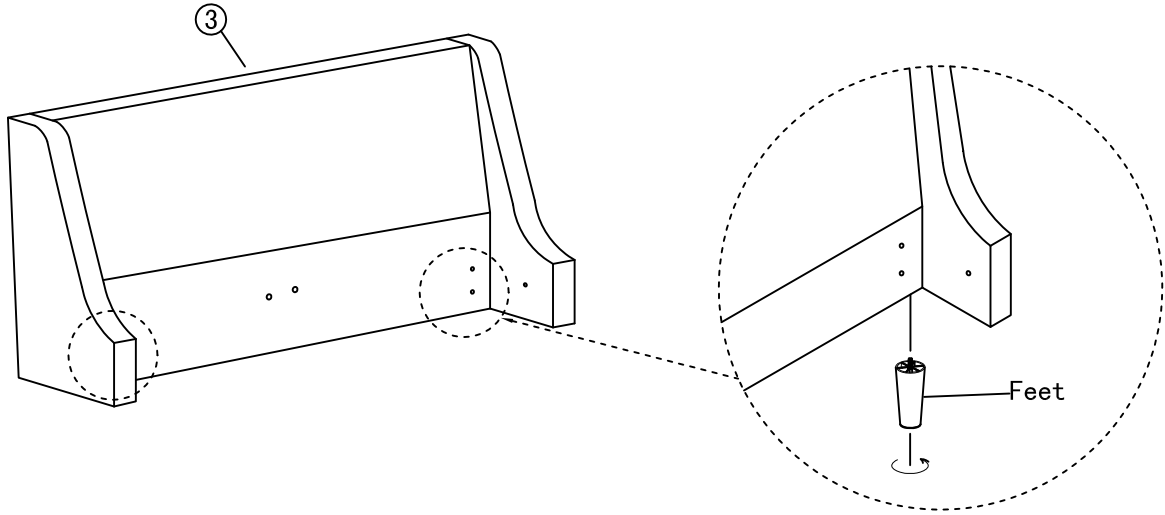
# GREENWICH TWO STORAGE BED SUPERKING

467544/727807/423189/977404/466294

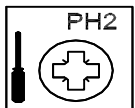
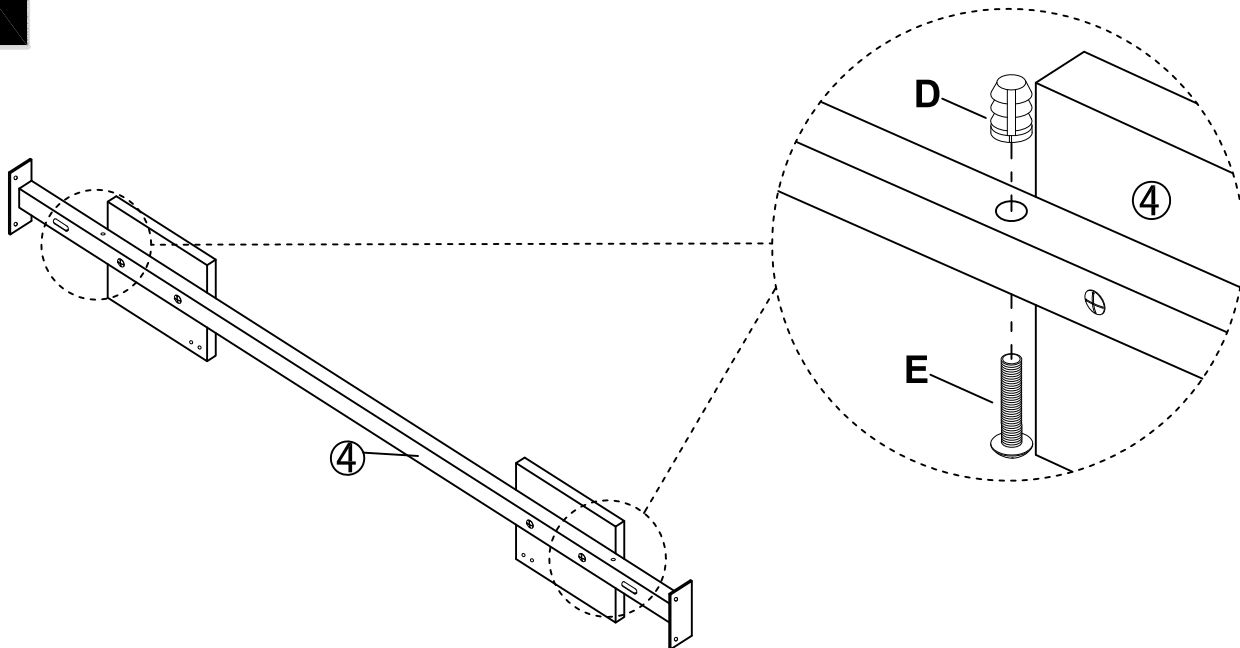
# next

## Assembly instructions

3



4

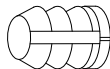


not supplied

**Ex4** M6x50mm



**Dx4** M6x13mm



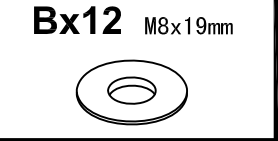
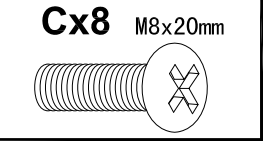
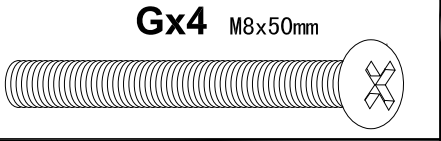
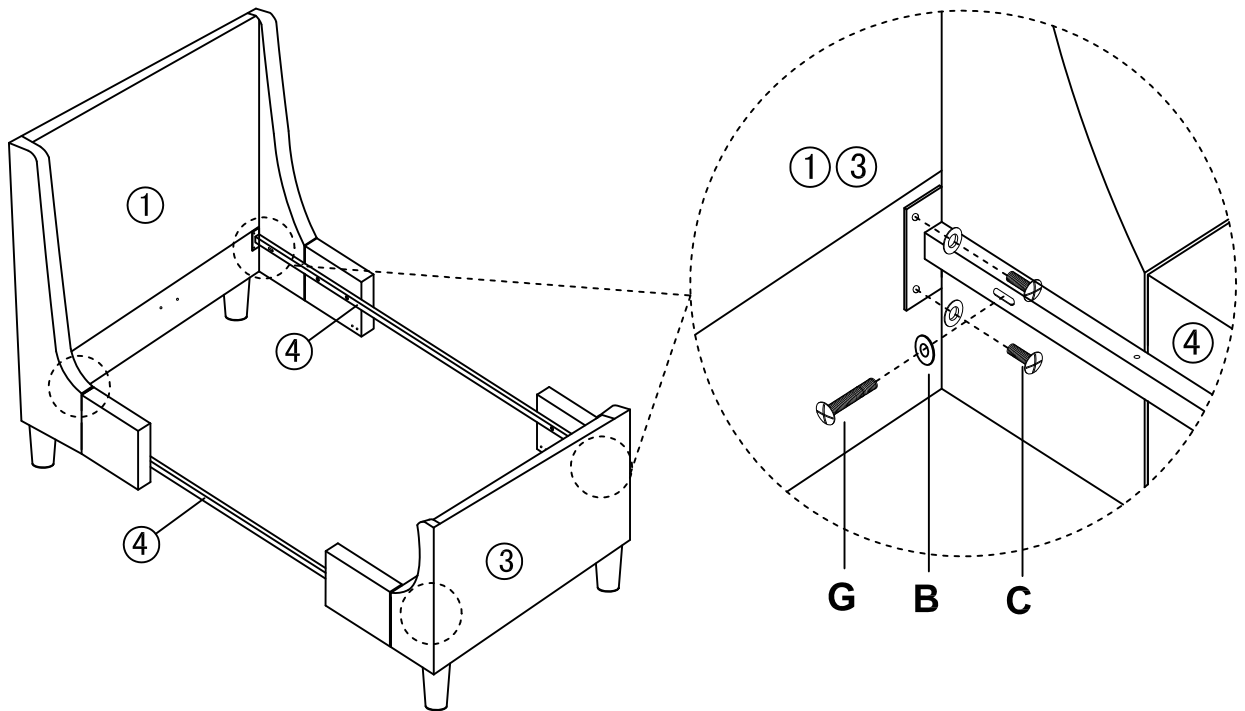
# GREENWICH TWO STORAGE BED SUPERKING

467544/727807/423189/977404/466294

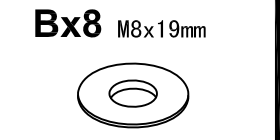
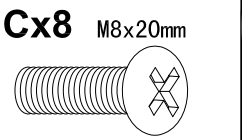
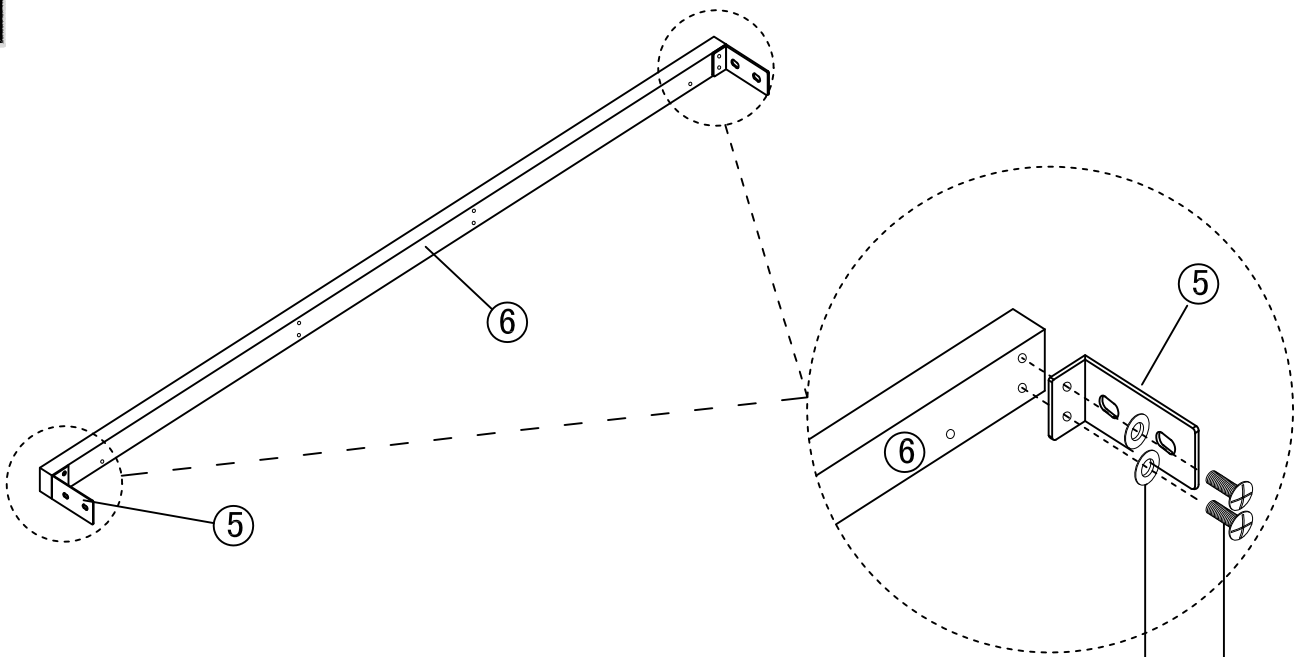
# next

## Assembly instructions

5



6



B C



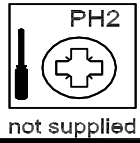
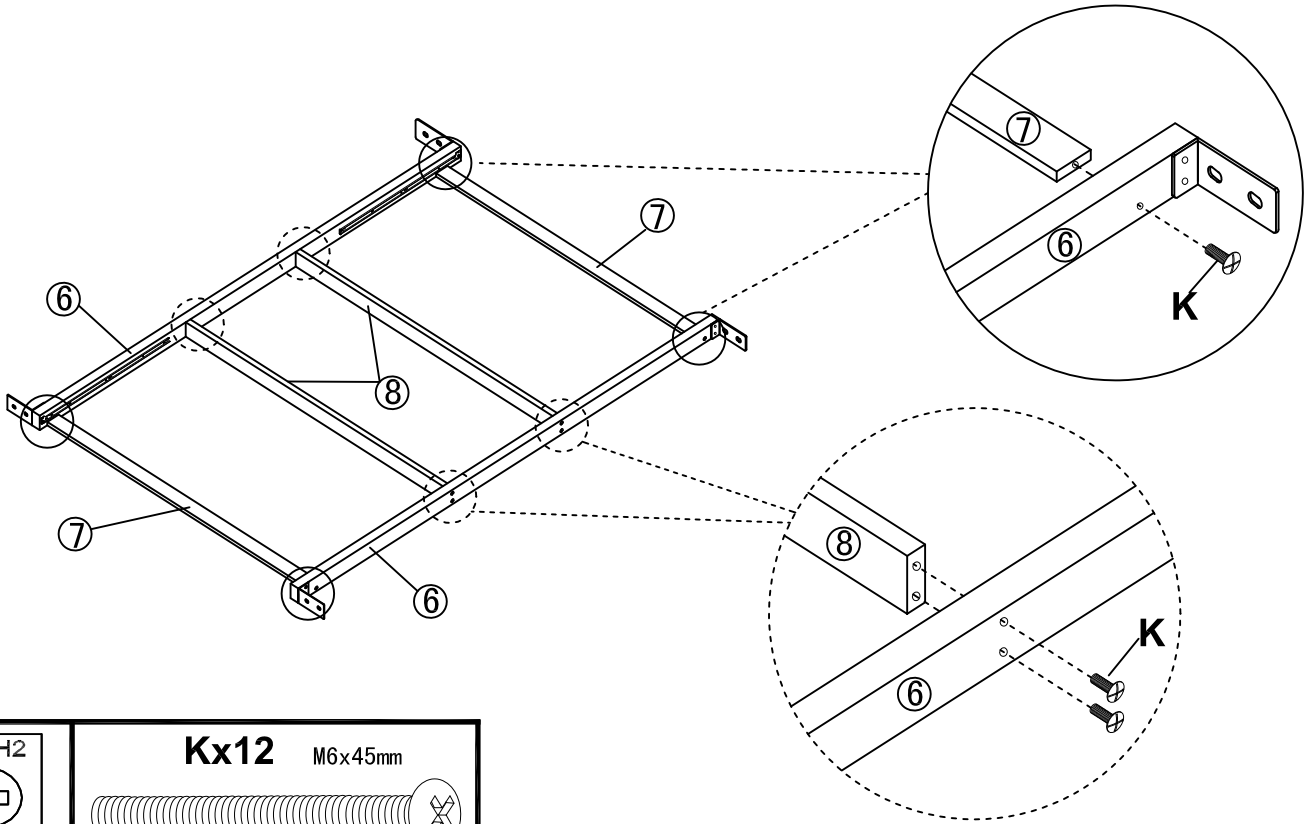
# GREENWICH TWO STORAGE BED SUPERKING

467544/727807/423189/977404/466294

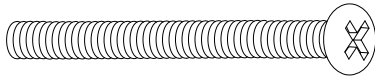
next

Assembly instructions

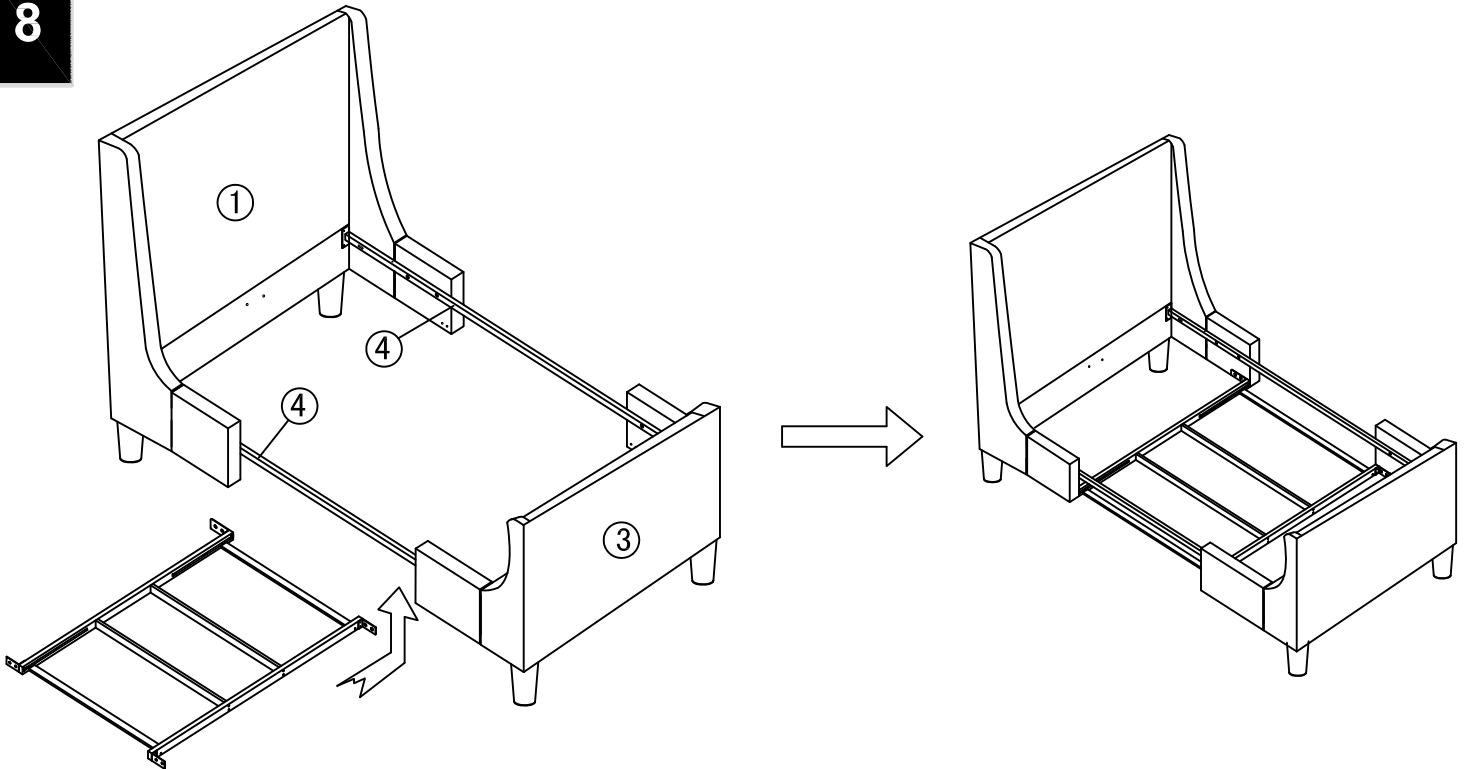
7



**Kx12** M6x45mm



8



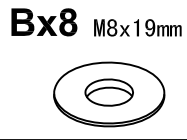
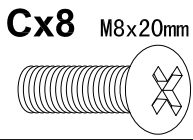
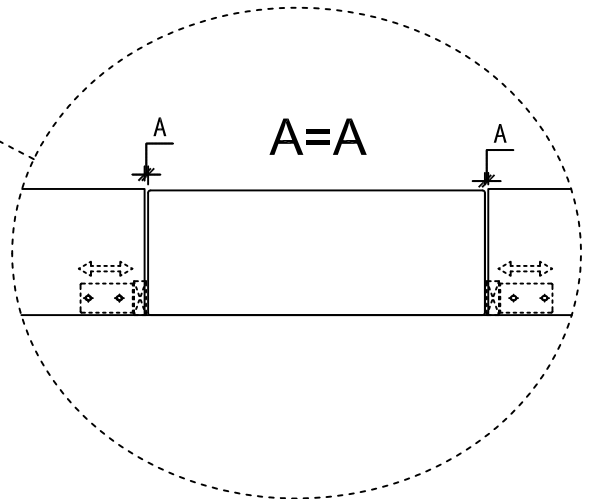
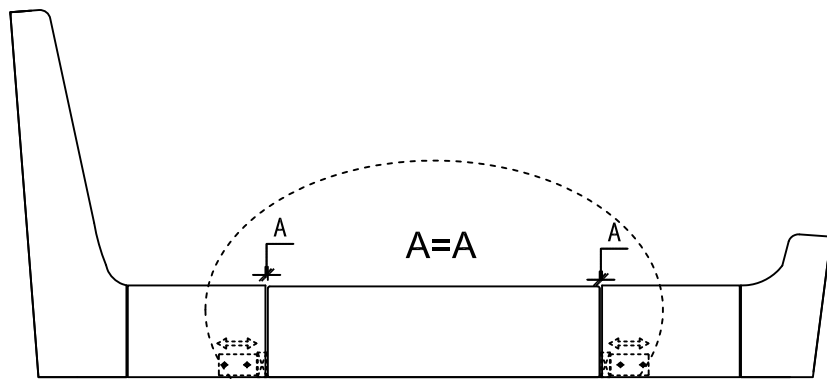
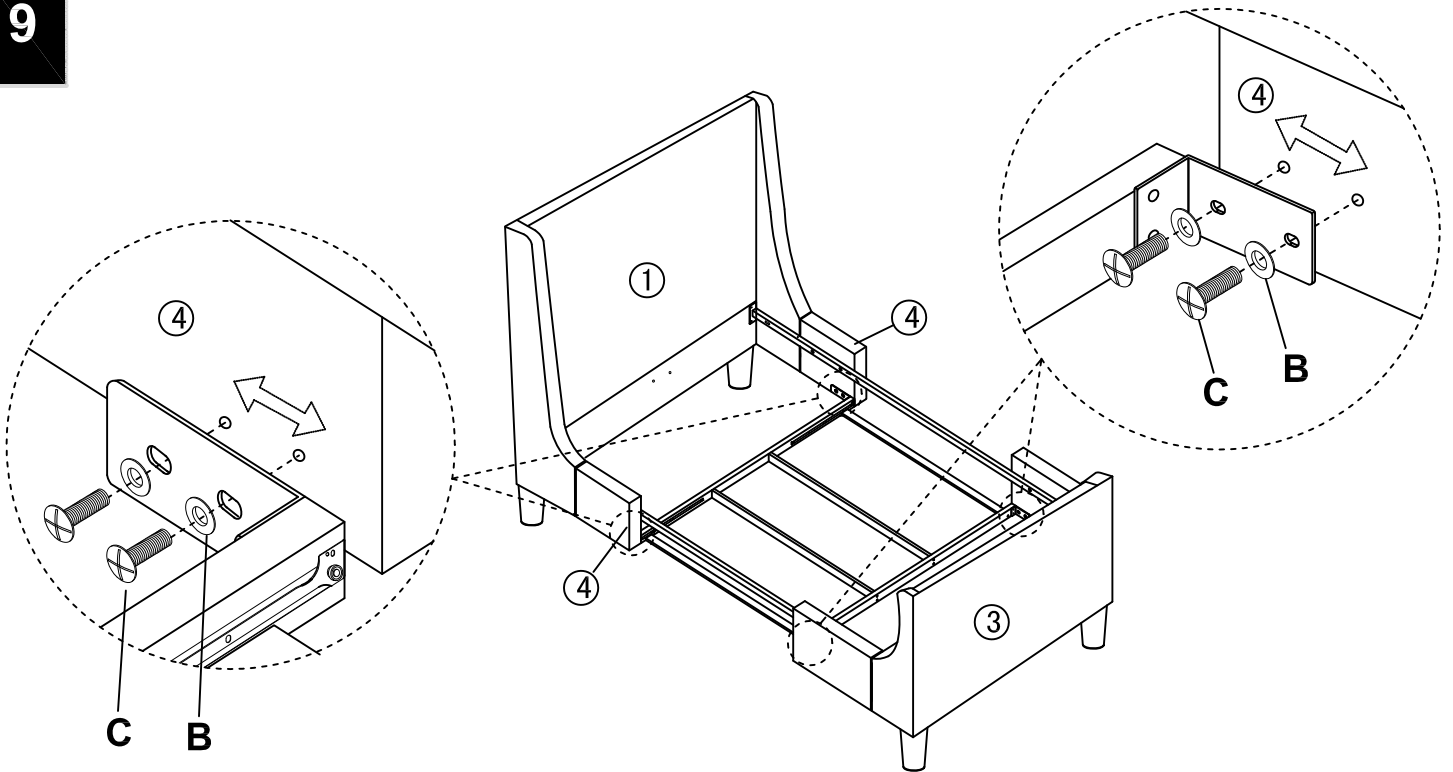
# GREENWICH TWO STORAGE BED SUPERKING

467544/727807/423189/977404/466294

# next

## Assembly instructions

9



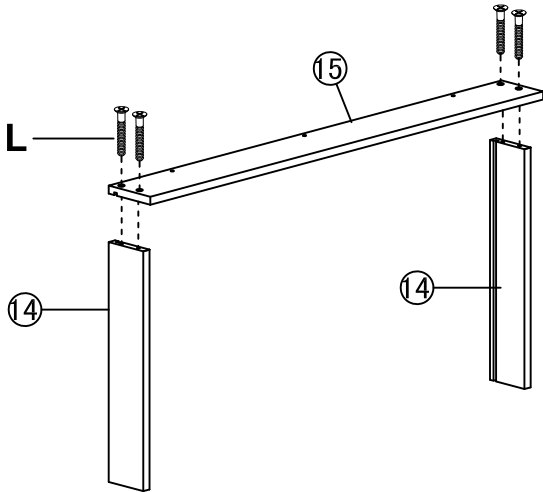
# GREENWICH TWO STORAGE BED SUPERKING

467544/727807/423189/977404/466294

# next


Assembly instructions

10



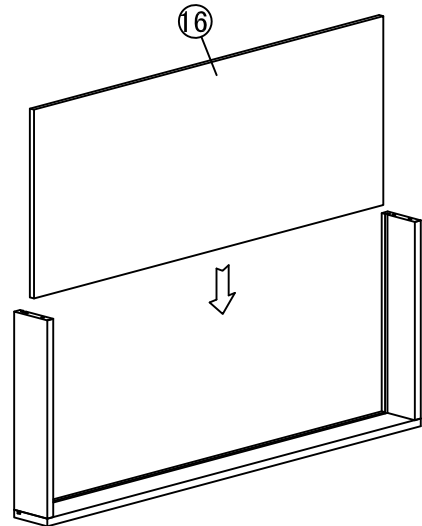
PH2  
not supplied

**Lx8** M7x38mm



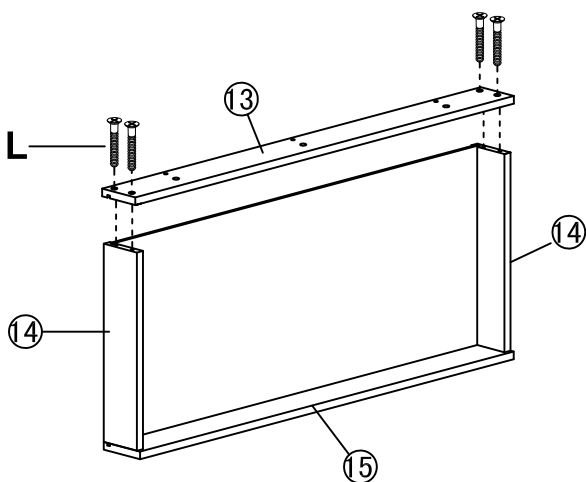
x2

11




x2

12



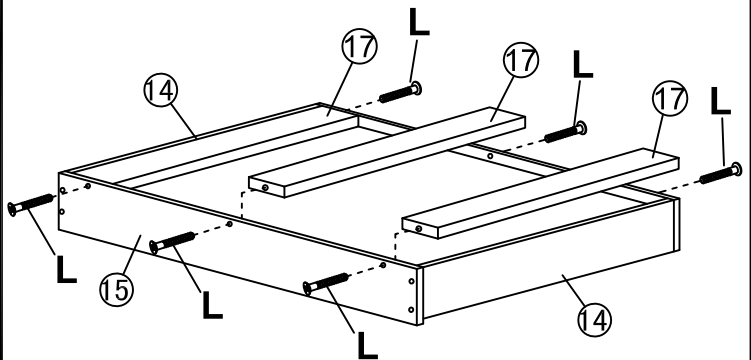
PH2  
not supplied

**Lx8** M7x38mm




x2

13



PH2  
not supplied

**Lx12** M7x38mm



x2

# GREENWICH TWO STORAGE BED SUPERKING

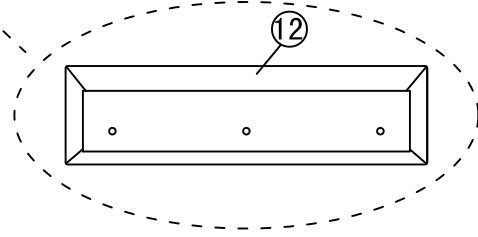
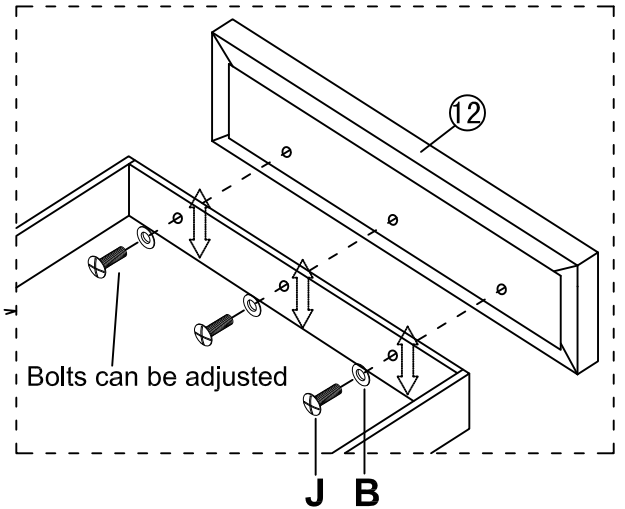
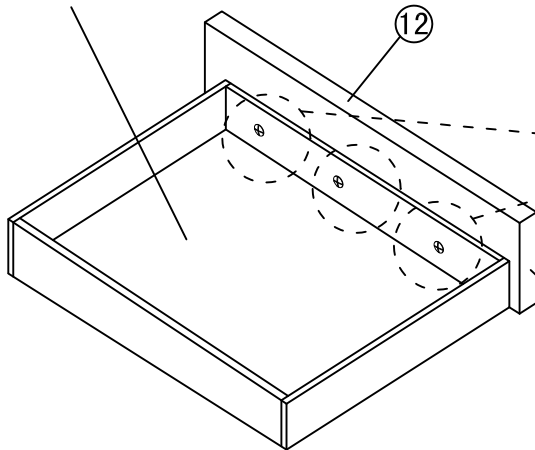
467544/727807/423189/977404/466294

# next

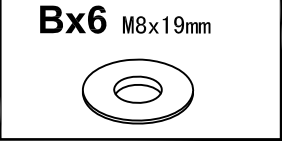
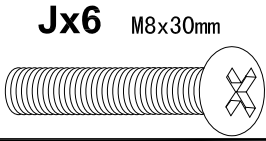
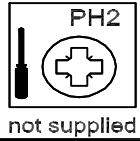
## Assembly instructions

14

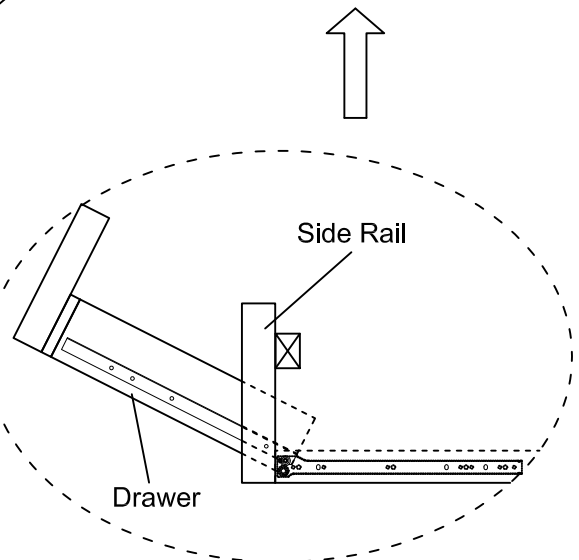
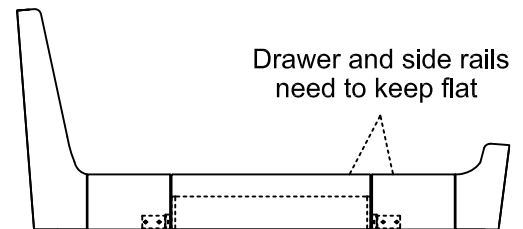
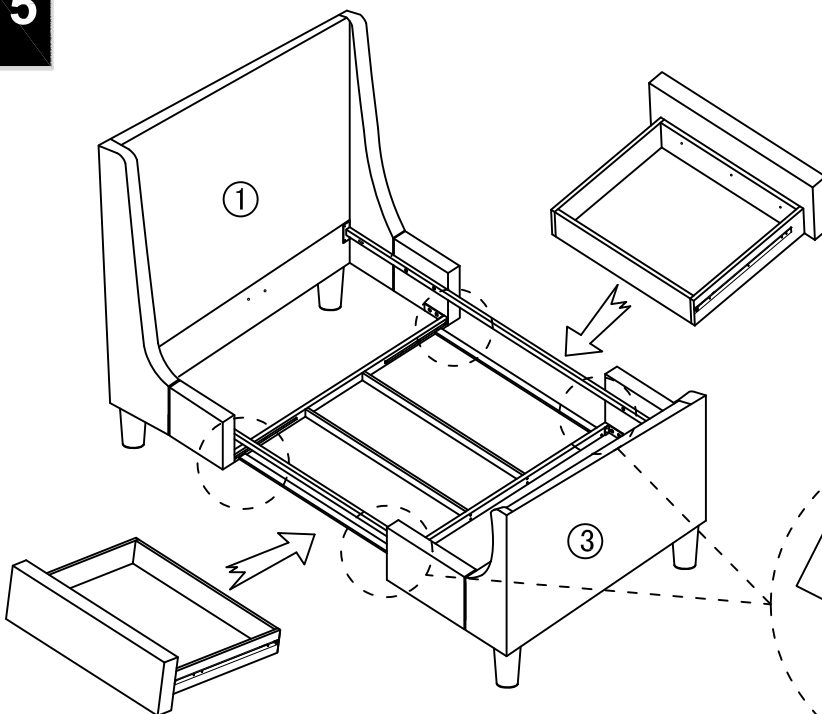
Accept weight 20 KG



x2



15



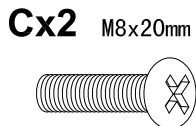
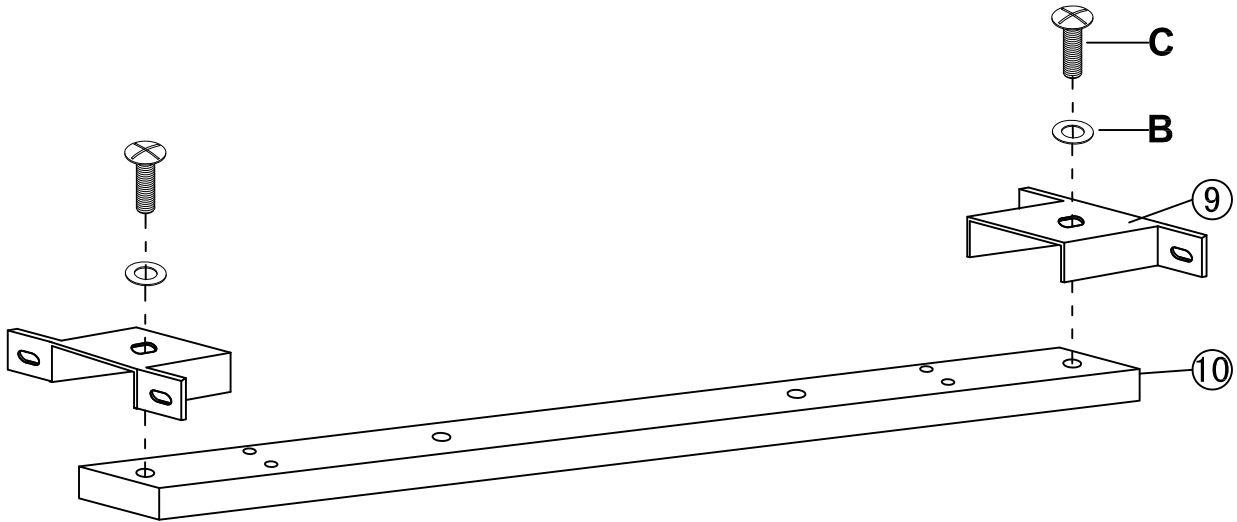
# GREENWICH TWO STORAGE BED SUPERKING

467544/727807/423189/977404/466294

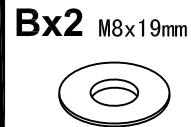
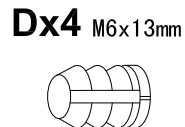
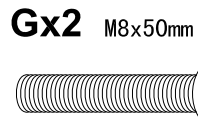
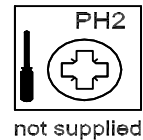
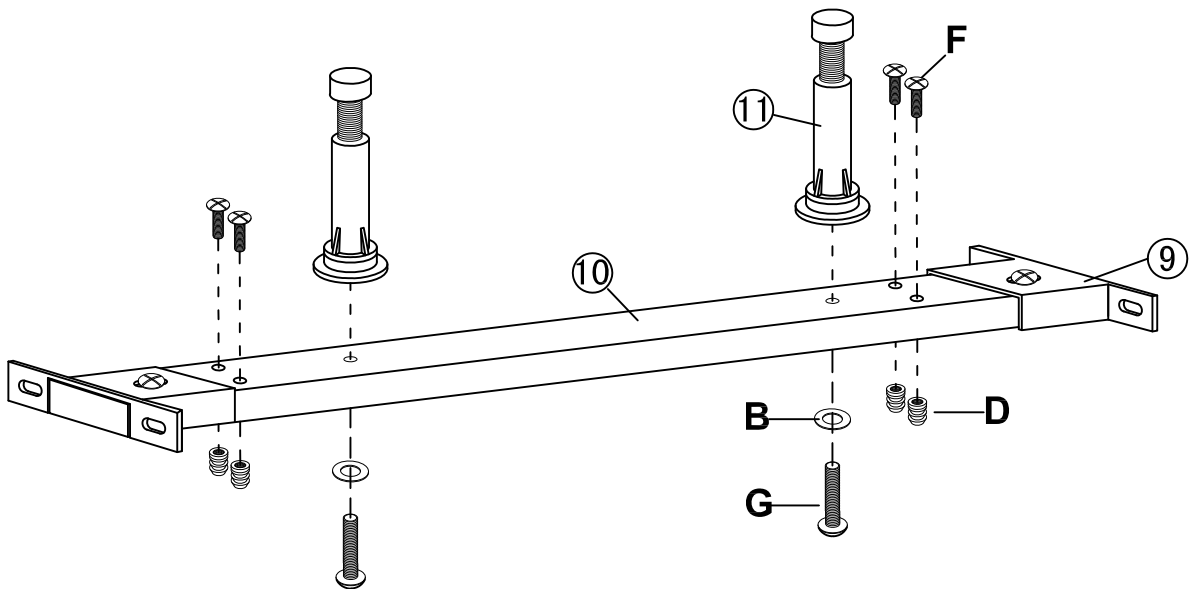
next

Assembly instructions

16



17



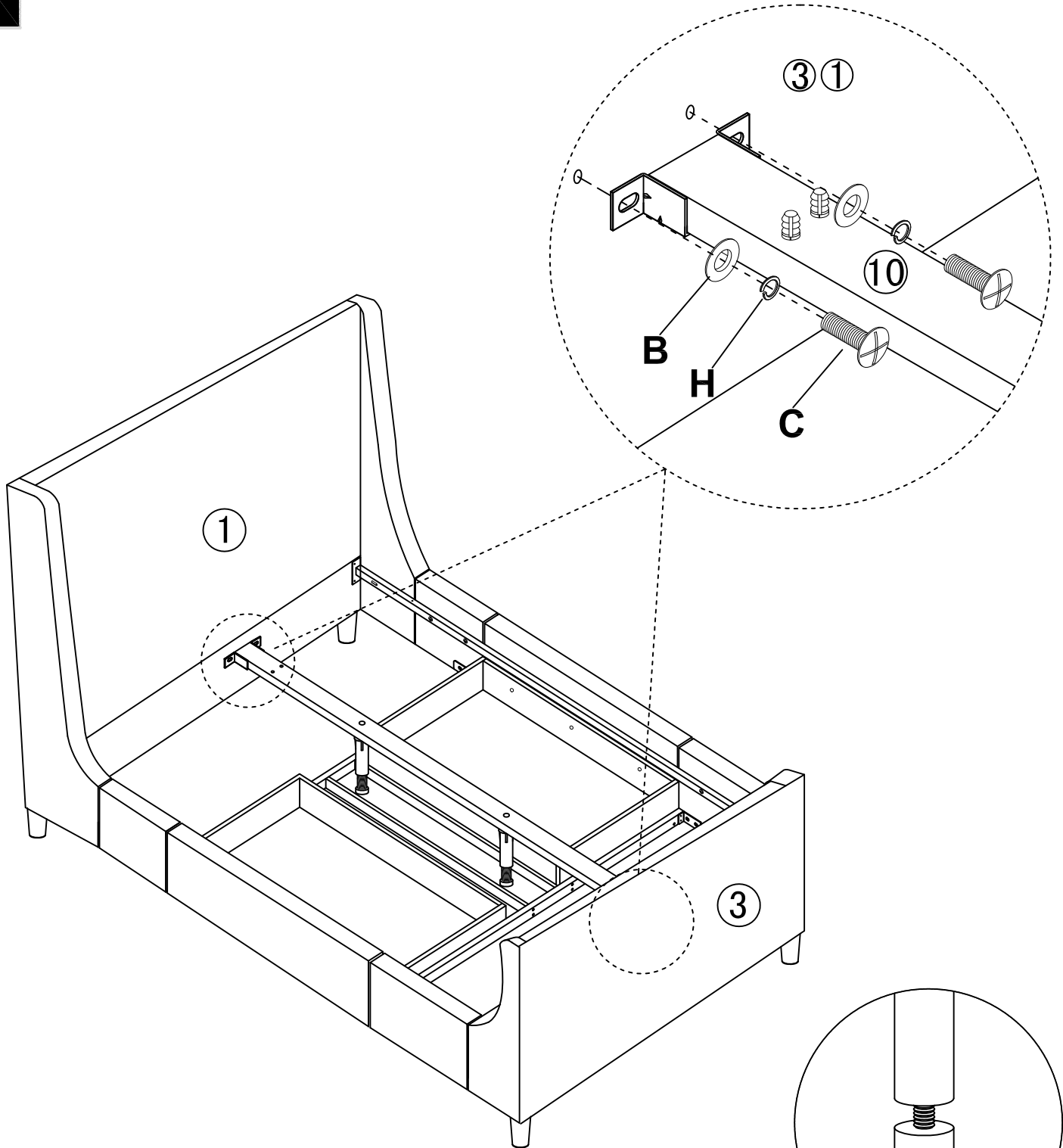
# GREENWICH TWO STORAGE BED SUPERKING

467544/727807/423189/977404/466294

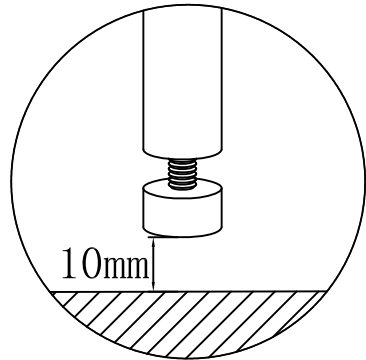
# next

Assembly instructions

18



 PH2 not supplied	<b>Cx4</b> M8x20mm 	<b>Bx4</b> M8x19mm 	<b>Hx4</b> M8 
-------------------------	------------------------	------------------------	-------------------



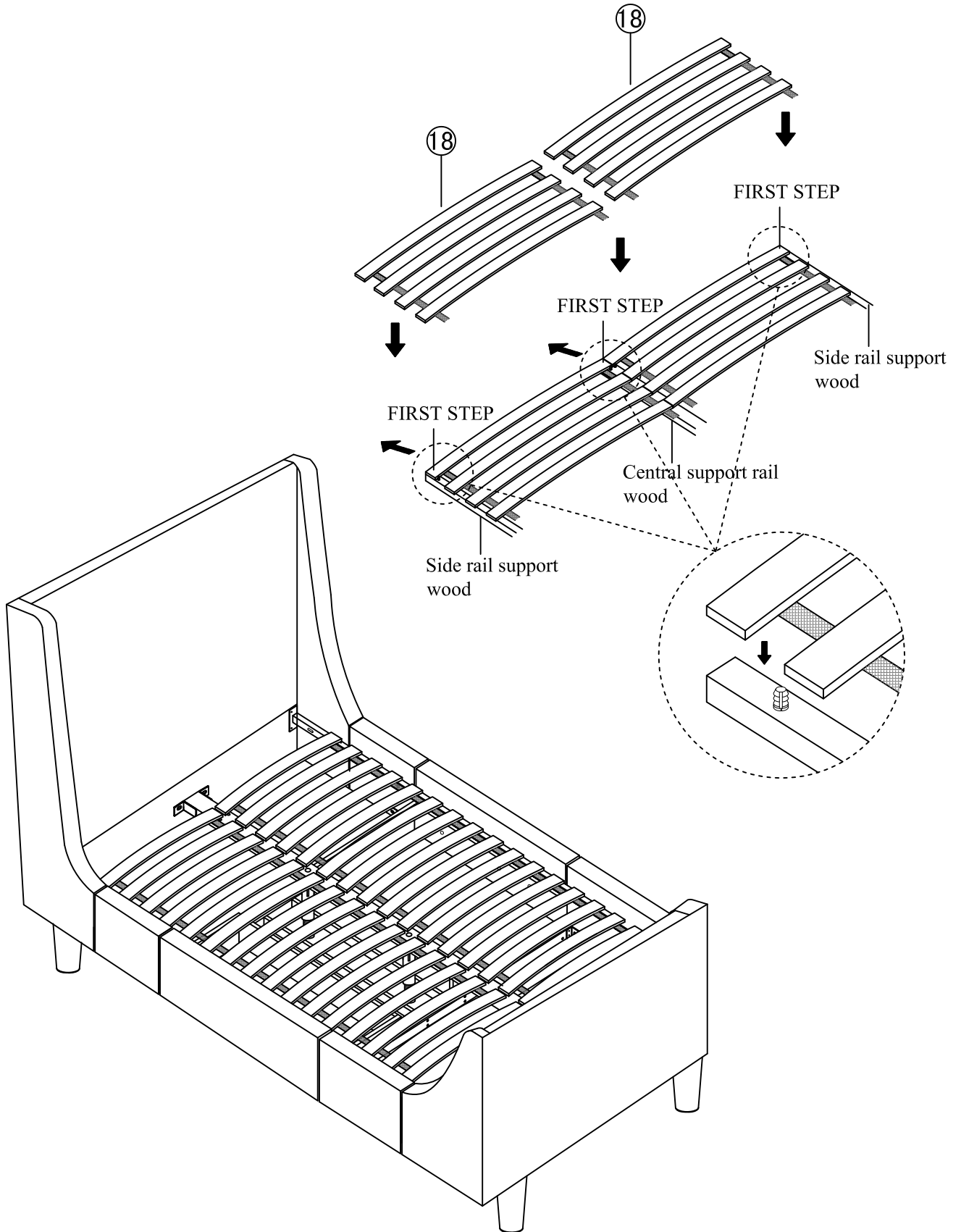
# GREENWICH TWO STORAGE BED SUPERKING

467544/727807/423189/977404/466294

next

Assembly instructions

19



# GREENWICH TWO STORAGE BED SUPERKING

467544/727807/423189/977404/466294

next

Assembly instructions

