

next

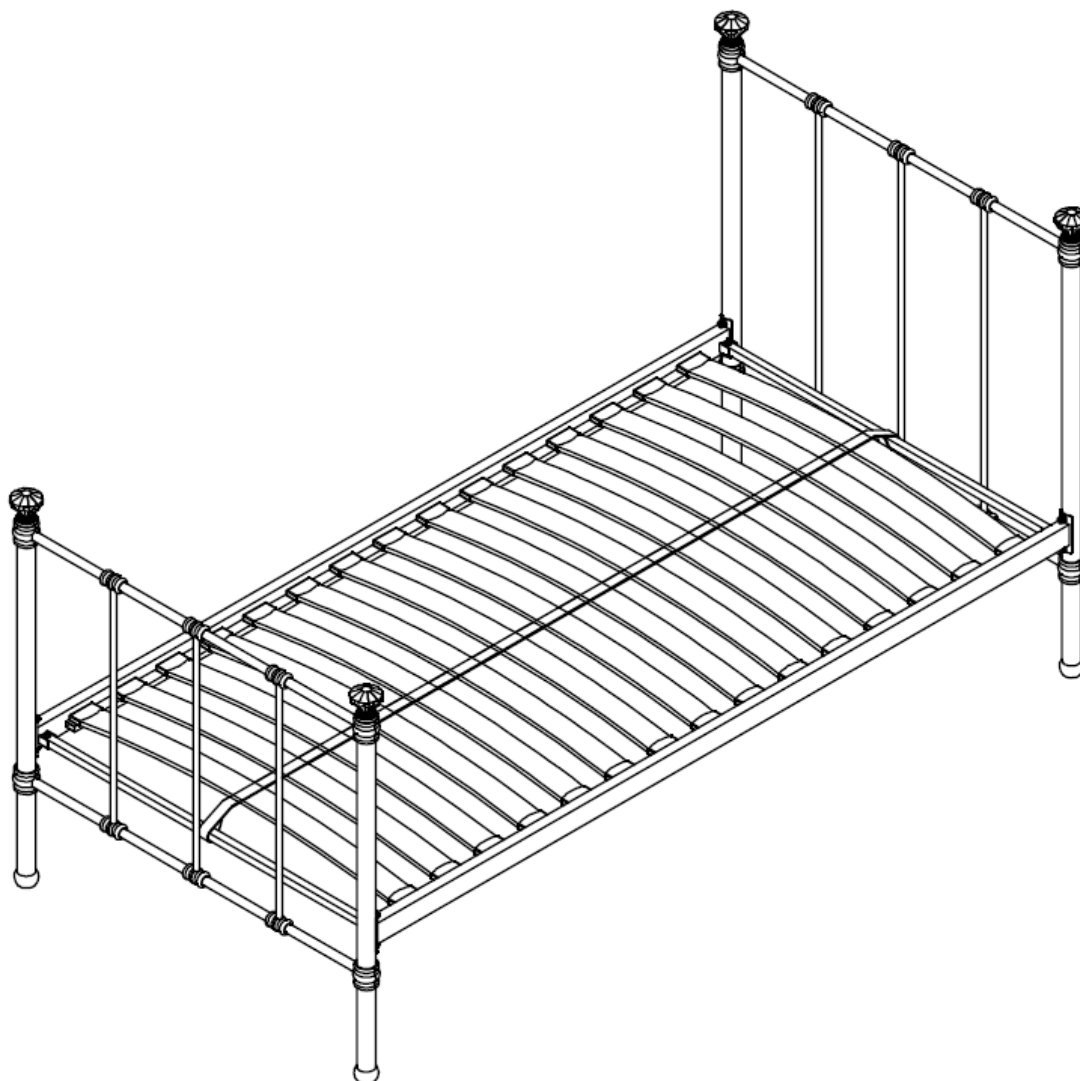
SOPHIE ELLA BED

749180

Assembly instructions

Actual product size

H111 x W101 x L202cm



NEED HELP?

With: Assembly instructions

Missing or damaged parts

Call: 0333 777 8999

IMPORTANT - RETAIN FOR FUTURE REFERENCE

BEFORE YOU START

IMPORTANT - RETAIN FOR FUTURE REFERENCE - READ CAREFULLY.

This child's bed conforms to BS8509:2008 + A1:2011

WARNINGS

WARNING: Do not place this child's bed near heat sources, windows and other furniture.

WARNING: Do not use this child's bed if any part is broken, torn or missing.

WARNING: Assembly by adult only.

WARNING: Once assembled this bed is not designed to be disassembled and reassembled.

Children are likely to play, bounce, jump and climb on beds, therefore the child's bed should not be placed too close to other furniture or windows, blind cords, curtain pulls or other strings or cords and should be placed either tight to any wall or have a gap of 300mm between the wall and the side of the bed.

This size of the mattress to be used with the child's bed is 900mm x1900mm.

This Child's bed is intended for children above 4 years old.

WARNING: Not suitable for children under 4 years (junior beds only).

Do's

When you are ready to start, make sure that you have the right tools and plenty of space.

Due to the size of the product we recommend that it is assembled in the room intended for use.

Unwrap all packaging materials and place the components on a clean surface to protect it from damage, We recommend that the packaging is used to protect the surfaces during assembly.

Carefully check that you have all the parts before beginning assembly.

Please periodically check all fittings and re-tighten as necessary.

To clean your item, wipe with soft cloth slightly dampened with water. Then buff with a dry clean cloth.

Routinely check that the fittings are secure and tighten any fittings using the appropriate tools.

If any parts are missing please contact Next to obtain replacements. Under no circumstances should missing parts or hardware be substituted unless obtained from Next.

Don'ts

Do not drag or pull your furniture.

Do not use silicone based furniture polish. Silicone in furniture polishes can break down the lacquer finish.

Do not stand or jump on this product.

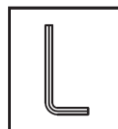
Number of people required to assemble

Two persons are required to assemble this item.

Time to assemble



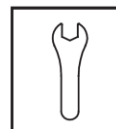
Tools required



supplied



supplied



supplied

Missing parts

If you are missing any fixtures and fittings for your product please contact our customer service team on 0333 777 8999 and they will be happy to arrange for a replacement to be sent to you free of charge.

Home service technicians

If you have a fault with your product please contact our customer service team on 0333 777 8999. If you have had the product for 28 days or less you may be offered a replacement, refund or for a fully trained home service technician to visit your home to assess the fault and repair the product where possible. If you have had the product for more than 28 days we will send an independent home service technician to review and repair the product where possible and recommend further action.

You can write to us at

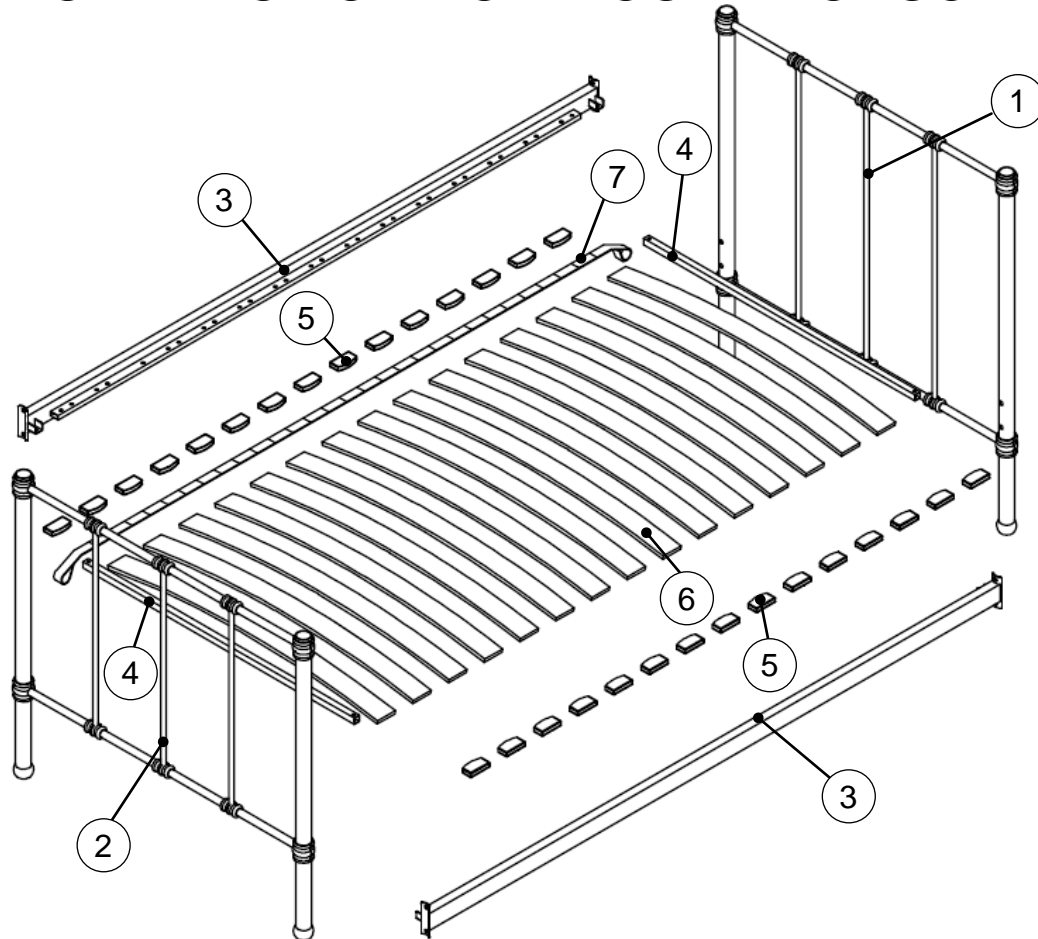
Home Customer Services
Next Retail Ltd,
Desford Road,
Leicester,
LE19 4AT

To view our full furniture range please visit www.next.co.uk

next SOPHIE ELLA BED

749180
Assembly instructions

GETTING TO KNOW YOUR PRODUCT



Components supplied. Please use this guide if you require a replacement part.




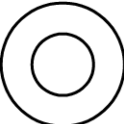


| Ref | Dimensions | Visual | Qty |
|-----|-------------|--------|-----|
| 1 | 99 x 105 cm | | 1 |
| 2 | 99 x 88 cm | | 1 |
| 3 | 9 x 193 cm | | 2 |

| Ref | Dimensions | Visual | Qty |
|-----|------------|--------|-----|
| 4 | 2 x 92 cm | | 2 |
| 5 | 3 x 7 cm | | 30 |
| 6 | 6 x 91 cm | | 15 |
| 7 | 3 x 225 cm | | 1 |





next SOPHIE ELLA BED

749180
Assembly instructions

Fixtures and fittings supplied (actual size)

| Ref | Dimensions | Qty | |
|-----|---------------|-----|---|
| A | 6 x 34 mm | 4 |  |
| B | 8 x 30 mm | 8 |  |
| C | 12.5 x 0.8 mm | 8 |  |
| D | 17 x 1.5 mm | 8 |  |
| E | 12.5 x 2 mm | 8 |  |
| F | 11 x 6 mm | 4 |  |

Fixtures and fittings supplied (not to scale)

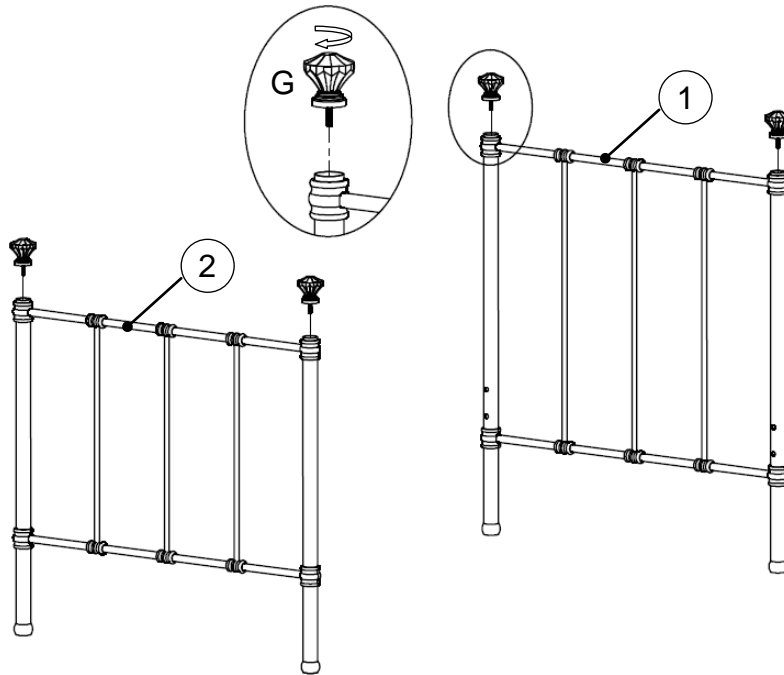
| Ref | Dimensions | Visual | Qty |
|-----|------------|---|-----|
| G | 77 x 65 mm |  | 4 |
| H | N/A |  | 1 |
| I | N/A |  | 1 |
| J | N/A |  | 1 |

next SOPHIE ELLA BED

749180
Assembly instructions

1

Attach 4 x finials (G) to the ends of headboard (1) and footboard (2), tighten by hand turning clockwise.



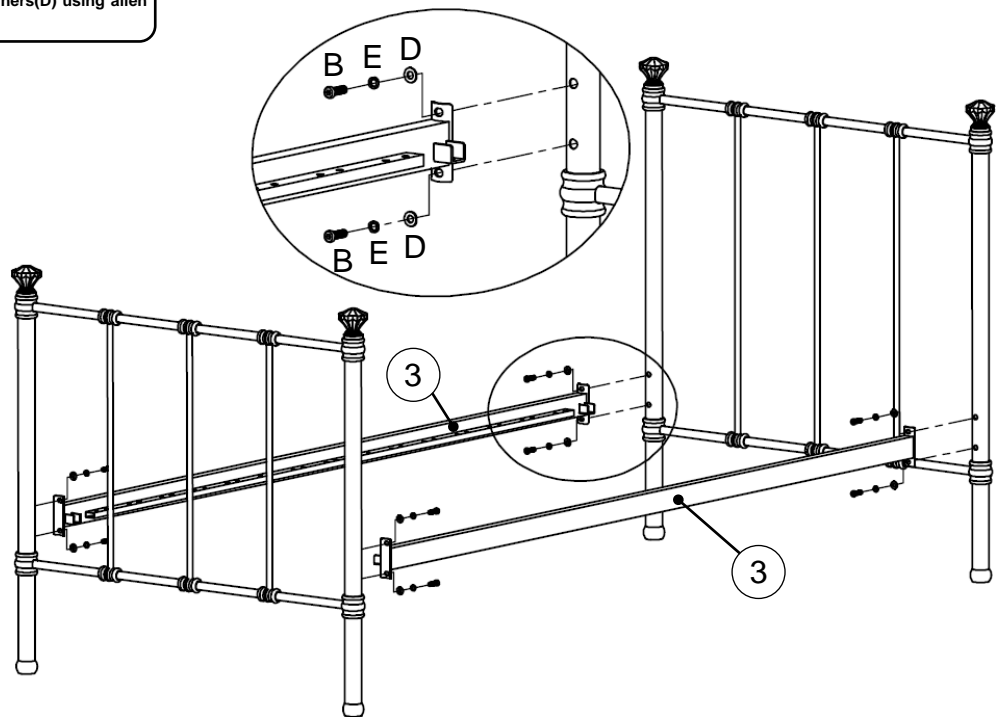
G x 4

83 x 65 mm



2

Attach headboard (1) and footboard (2) to 2 x side rails (3) with 8 x bolts (B), 8 x spring washers (E), 8 x plain washers (D) using allen key (I) to tighten.



E x 8

12.5 x 2 mm



D x 8

17 x 1.5 mm



B x 8

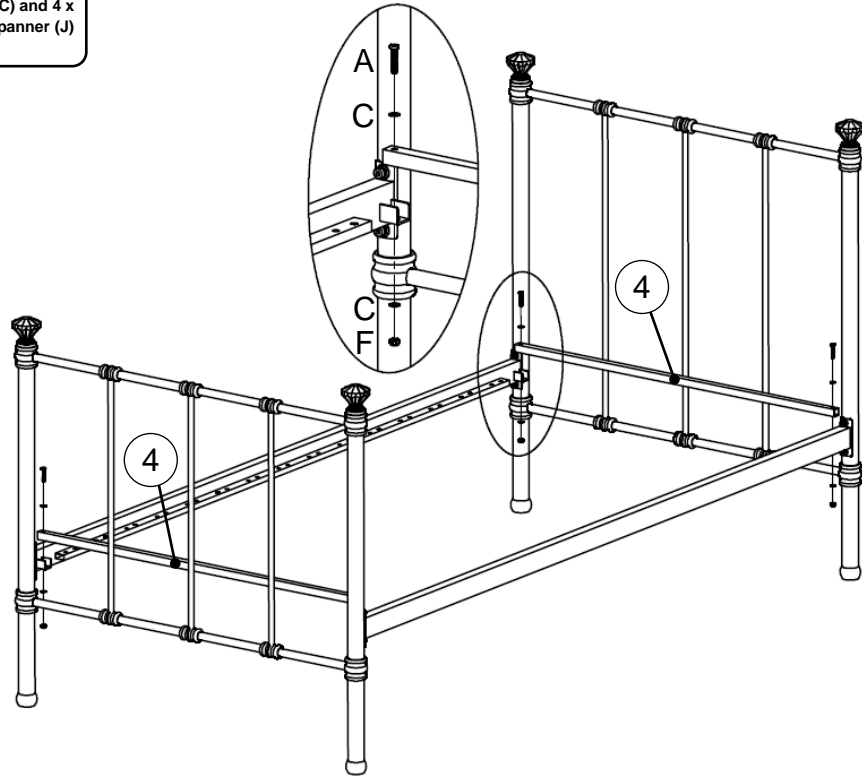
8 x 30 mm








supplied

3

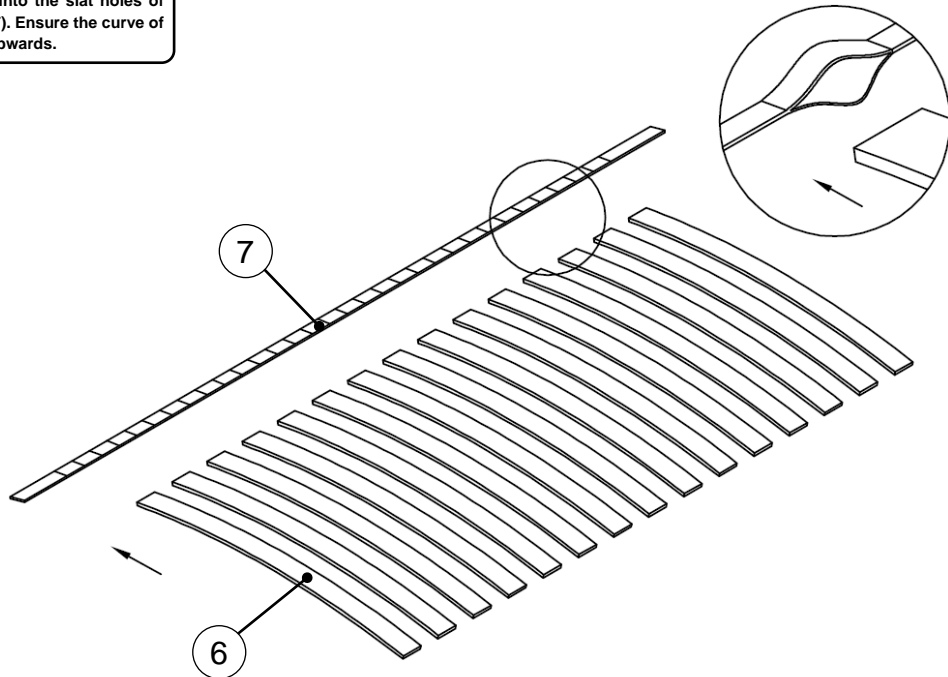
Attach 2 x support rails (4) to 2 x side rails (3) with 4 x bolts (A), 8 x washers (C) and 4 x nuts (E), using allen key (H) and spanner (J) to tighten.



| | | |
|---|---|---------------|
|  supplied | F x 4  | 11 x 6 mm |
| | C x 8  | 12.5 x 0.8 mm |
|  supplied | A x 4  | 6 x 34 mm |

4

Insert 15 x slats (6) into the slat holes of the strap assembly (7). Ensure the curve of the slats are facing upwards.



next

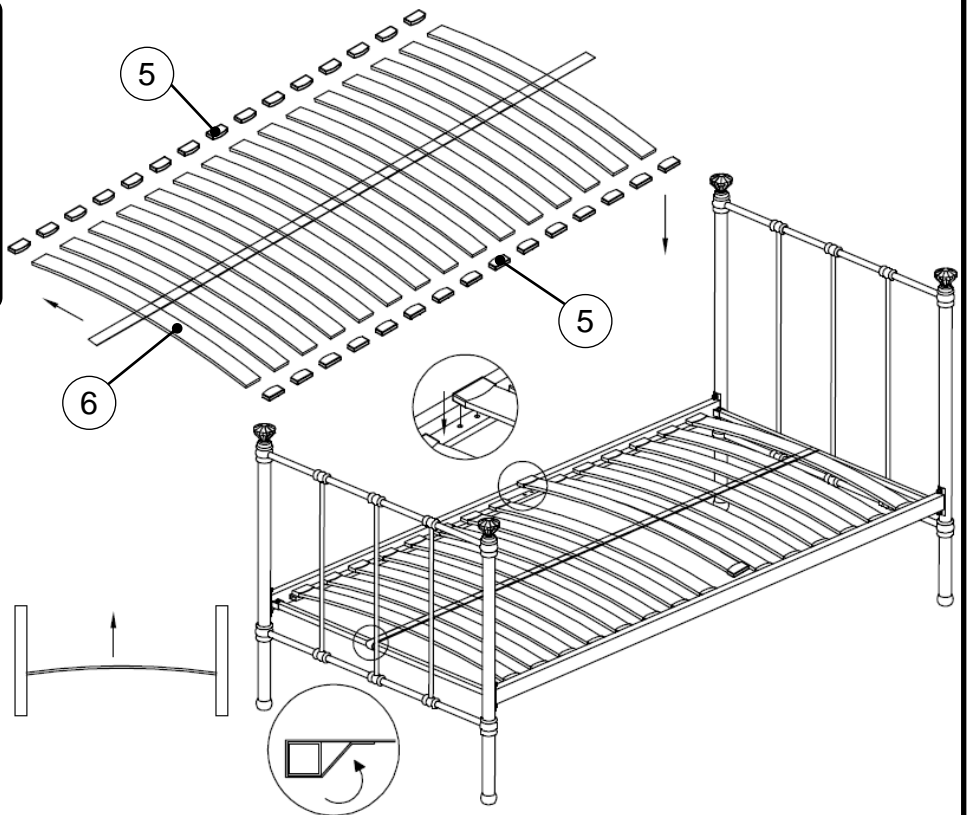
SOPHIE ELLA BED

749180

Assembly instructions

5

1. Insert 30 x plastic caps (5) onto both ends of each slat of the wooden slat assembly (6). Ensure the curve of the slats are facing upwards with the pins in the caps facing downwards.
2. Insert plastic end caps (5) of the wooden slat assembly (6) in to the holes in side rails (3). Ensure the curves of the slats are facing upwards.
3. Ensure the ends of the strap are wrapped around support rails (4).



6

