
ercol

Assembly instructions

Your guide to producing the instruction leaflet

ercol

HARTWELL DOUBLE/KING SIZE BED

759-393-206(DOUBLE)

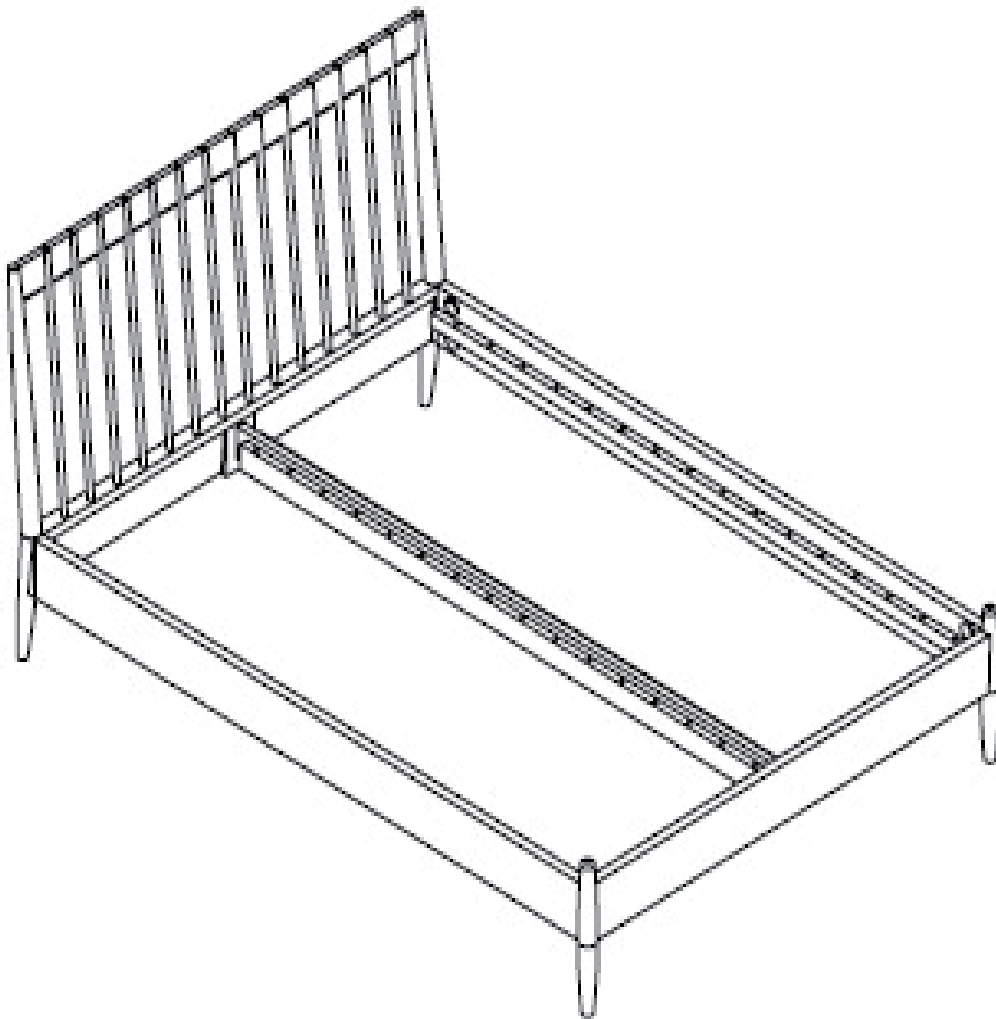
759-393-215(KING SIZE)

Assembly instructions

Actual product size

H106.5xW145.5xD200.9 cm(DOUBLE BED)

H106.5xW160.5xD214 cm(KING SIZE BED)



Need Help?

With: Assembly instructions
Missing or damaged parts

CALL: 0333 777 8999

IMPORTANT – RETAIN FOR FUTURE REFERENCE

Produced in China for Next Retail Ltd.

759-393-206(DOUBLE)

759-393-215(KING SIZE)

ercol

HARTWELL DOUBLE/KING SIZE BED

759-393-206(DOUBLE)

759-393-215(KING SIZE)

Assembly instructions

BEFORE YOU START

Warnings

We suggest you retain these instructions for future reference.

Keep fittings out of children's reach and keep children well away from the construction area.

This product should only be used on firm, level ground.

Please periodically check all fittings and re-tighten as necessary.

Please do not sit or stand on your furniture.

Avoid exposing the furniture to excessive heat or direct sunlight as this can cause deterioration of the colour.

Unwrap all packaging materials and place the components on top of the carton box or on a clean floor to protect it from damage.

Do's

We suggest you spend a short time reading through this leaflet before you start.

When you are ready to start, make sure that you have the right tools and plenty of space.

Unwrap all packaging materials and place the components on a clean surface to protect it from damage.

We recommend that the packaging is used to protect the surfaces during assembly.

Carefully check that you have all the parts before beginning assembly

Due to the size of the product we recommend that it is assembled in the room intended for use.

Ensure the product is fully assembled as illustrated and all fixings are fully tightened before use.

Wipe occasionally with a soft cloth slightly dampened with water. Then buff with a dry clean soft cloth.

Wood will mellow and change colour over time, we recommend that ornaments and items placed on the surface are moved regularly for the first few months to prevent uneven mellowing.

Don'ts

Do not drag or pull your furniture.

Do not use silicone based furniture polish. Silicone in furniture polishes can break down the finish.

Never allow any kind of liquid to remain on your furniture.

Absorption can cause wood to warp or finishes to de-laminate.

Do not place hot items (e.g. hot drinks) directly on to the wood surface. Please make sure you use a placement or coaster.

Number of people required to assemble

Two persons are required to assemble this item.

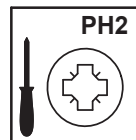
Time to assemble wall fixing



Tools required



not supplied



not supplied

Missing parts

If you are missing any fixtures and fittings for your product please contact our customer service team on 0333 777 8999 and they will be happy to arrange for a replacement to be sent to you free of charge.

Home service technicians

If you have a fault with your product please contact our customer service team on 0333 777 8999. If you have had the product for 28 days or less you may be offered a replacement, refund or for a fully trained home service technician to visit you home to assess the fault and repair the product where possible. If you have had the product for more than 28 days we will send an independent home service technician to review and repair the product where possible and recommend further action.

You can write to us at

Home Customer Services
Next Retail Ltd,
Desford Road,
Leicester,
LE19 4AT

To View our full furniture range please visit www.next.co.uk

Produced in China for Next Retail Ltd.

759-393-206(DOUBLE)

759-393-215(KING SIZE)

ercol

HARTWELL DOUBLE/KING SIZE BED








759-393-206(DOUBLE)

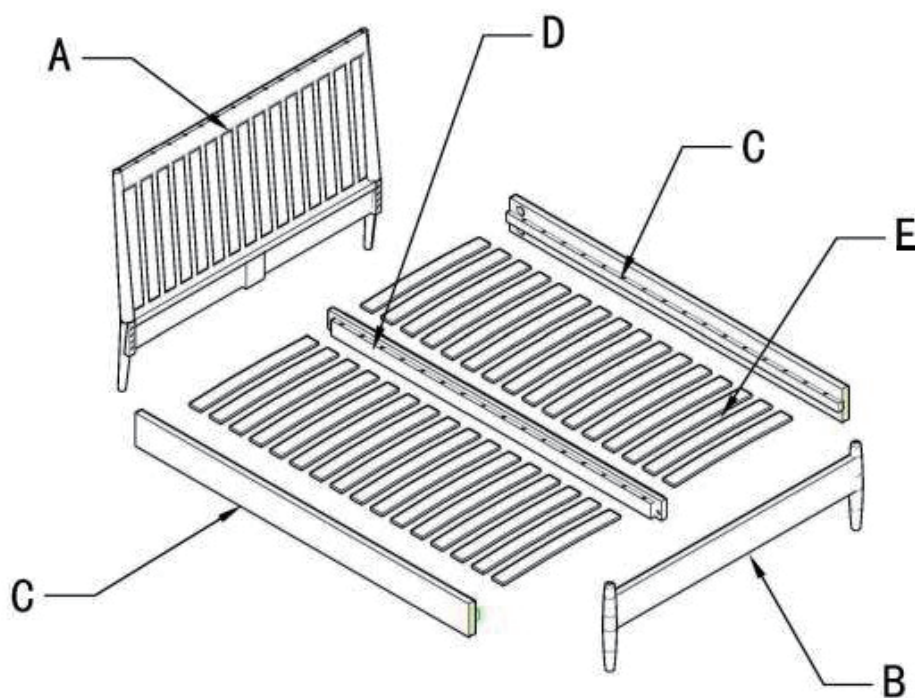
759-393-215(KING SIZE)

Assembly instructions

GETTING TO KNOW YOUR PRODUCT

Fittings and parts checklist

A	Headboard x 1	H	Half moon washer	
B	Footboard x 1	I	Dowels x 8	
C	Side rails x 2	J	Spanner x 1	
D	Centre rail x 1	K	Central brackets x 2	
E	Slats double bed x 32 Slats king size x 34	L	Washers x 2	
F	Ends for slats double x 64 Ends for slats king size x 68	M	Nuts and bolts x 2 each	
G	Threads x 8	N	20mm Screws x 12	



Produced in China for Next Retail Ltd.

759-393-206(DOUBLE)

759-393-215(KING SIZE)

ercol

HARTWELL DOUBLE/KING SIZE BED

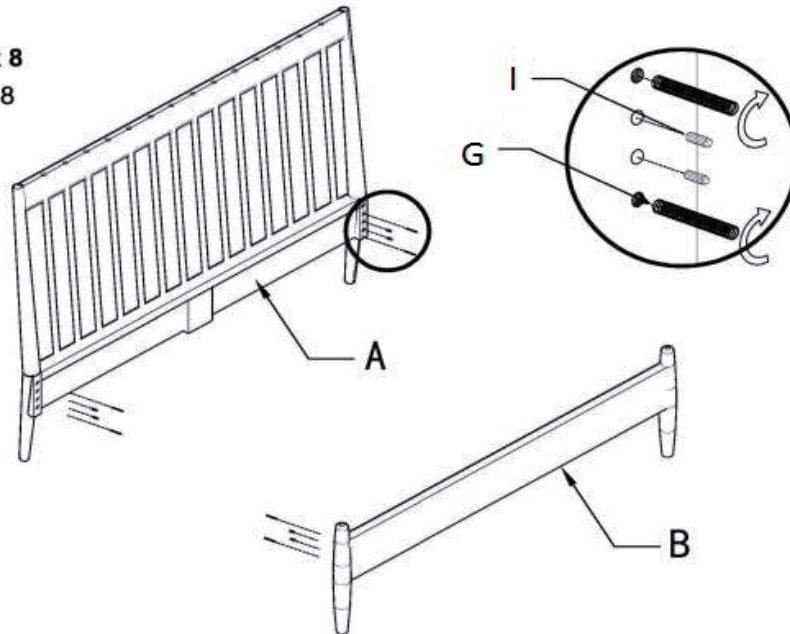
759-393-206(DOUBLE)

759-393-215(KING SIZE)

Assembly instructions

STEP 1. Push the 8 dowels and threads into G and I into the headboard and the footboard as shown below. Tighten the threads by hand ensuring that there is approximately half of the threads still showing.

Fittings



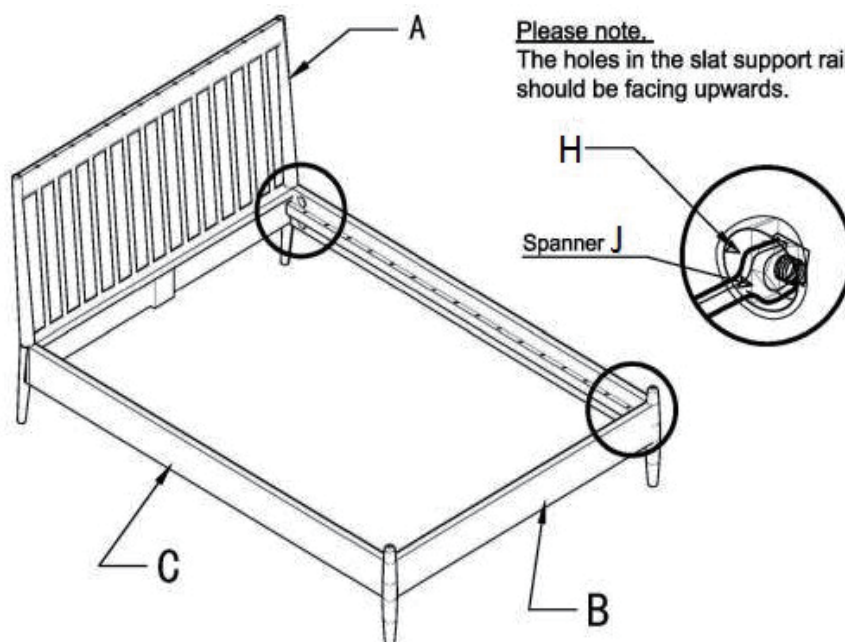
STEP 2. Making sure the holes in the side rails, C, are facing upwards, AND you have the Left and Right rails, (see page 4) on the correct sides, locate these side rails onto the protruding threads on the headboard and footboard. As you do this, slide a half moon washer onto the thread when it comes through into the circular hole in the side of the rail, then screw on one of the 8 nuts FINGERTIGHT ONLY. Repeat with the other 3 corners. then TIGHTEN FIRMLY WHEN ALL FOUR CORNERS ARE SECURED

Fittings



Please note.

The holes in the slat support rail should be facing upwards.



Produced in China for Next Retail Ltd.

759-393-206(DOUBLE)

759-393-215(KING SIZE)

ercol

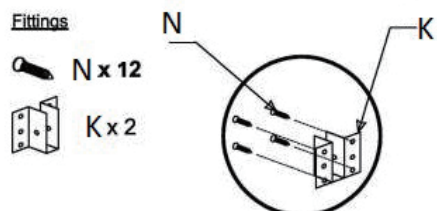
HARTWELL DOUBLE/KING SIZE BED

759-393-206(DOUBLE)

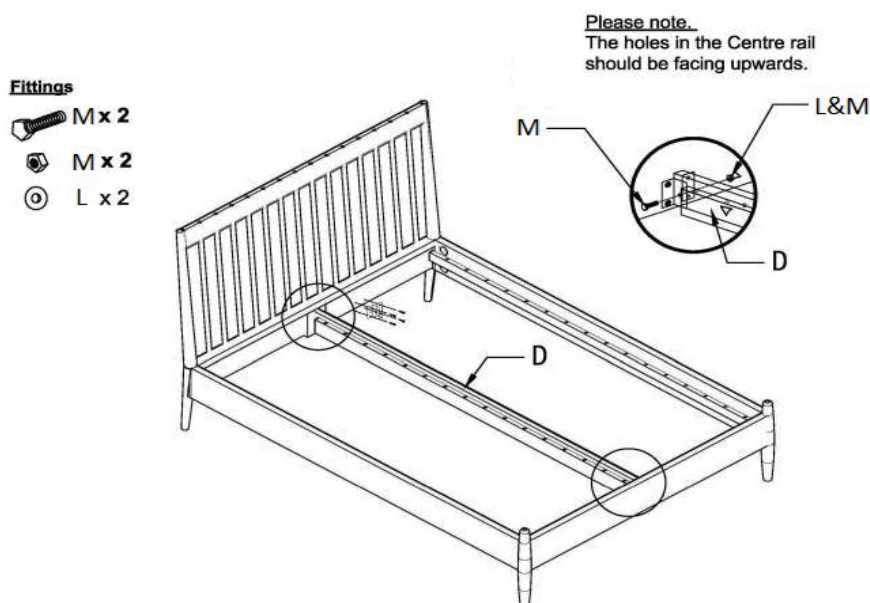
759-393-215(KING SIZE)

Assembly instructions

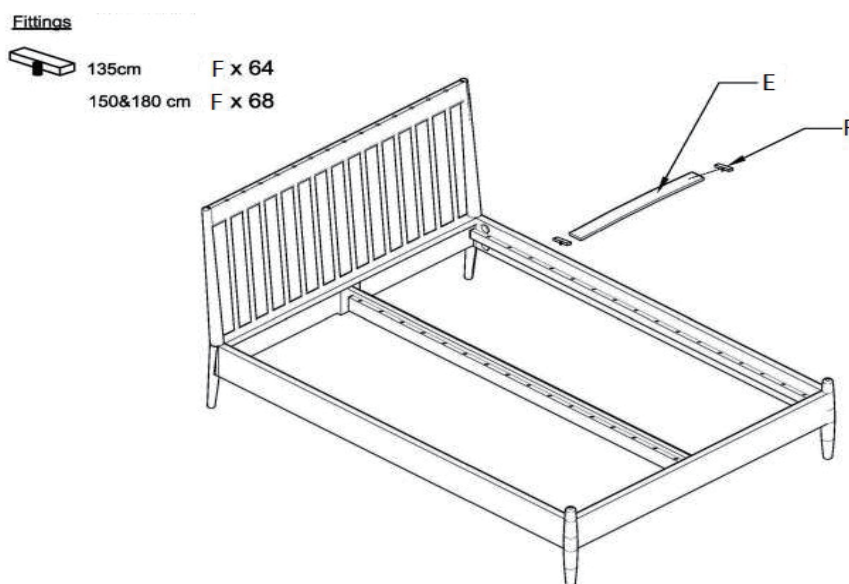
STEP 3. Using the 12 x 20mm screws, attach the two brackets into the headboard and the footboard using the pre-drilled holes, tighten with a phillips screwdriver.



STEP 4. Making sure the holes in the centre rail are facing upwards, put the centre rail into the two brackets. Secure it in place using the 2 x 40mm bolts, and the 2 washers and nuts.



STEP 5. Push a plastic cap onto each end of a slat and with the peg facing downwards push the slat into the predrilled holes as shown below. Repeat for all the slats.



Produced in China for Next Retail Ltd.

759-393-206(DOUBLE)

759-393-215(KING SIZE)