

next

CLARENDON CHEST

769392

Assembly instructions

Actual product size

H110 x W91 x D45cm



Need Help?

With: Assembly instructions
Missing or damaged parts

CALL: 0333 777 8999

IMPORTANT – RETAIN FOR FUTURE REFERENCE

BEFORE YOU START

Warnings

We suggest you retain these instructions for future reference.

Keep fittings out of children's reach and keep children well away from the construction area.

This product should only be used on firm, level ground.

Please periodically check all fittings and re-tighten as necessary.

Please do not sit or stand on your furniture.

Avoid exposing the furniture to excessive heat or direct sunlight as this can cause deterioration of the colour.

Unwrap all packaging materials and place the components on top of the carton box or on a clean floor to protect it from damage.

Do's

We suggest you spend a short time reading through this leaflet before you start.

When you are ready to start, make sure that you have the right tools and plenty of space.

Unwrap all packaging materials and place the components on a clean surface to protect it from damage.

We recommend that the packaging is used to protect the surfaces during assembly.

Carefully check that you have all the parts before beginning assembly

Due to the size of the product we recommend that it is assembled in the room intended for use.

Ensure the product is fully assembled as illustrated and all fixings are fully tightened before use.

Wipe occasionally with a soft cloth slightly dampened with water. Then buff with a dry clean soft cloth.

Wood will mellow and change colour over time, we recommend that ornaments and items placed on the surface are moved regularly for the first few months to prevent uneven mellowing.

Don'ts

Do not drag or pull your furniture.

Do not use silicone based furniture polish. Silicone in furniture polishes can break down the finish.

Never allow any kind of liquid to remain on your furniture.

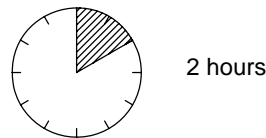
Absorption can cause wood to warp or finishes to de-laminate.

Do not place hot items (e.g. hot drinks) directly on to the wood surface. Please make sure you use a placement or coaster.

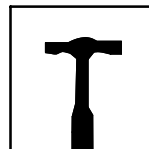
Number of people required to assemble

Two persons are required to assemble this item.

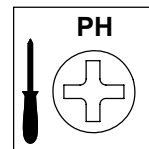
Time to assemble



Tools required



not supplied



not supplied

Missing parts

If you are missing any fixtures and fittings for your product please contact our customer service team on **0333 777 8999** and they will be happy to arrange for a replacement to be sent to you free of charge.

Home service technicians

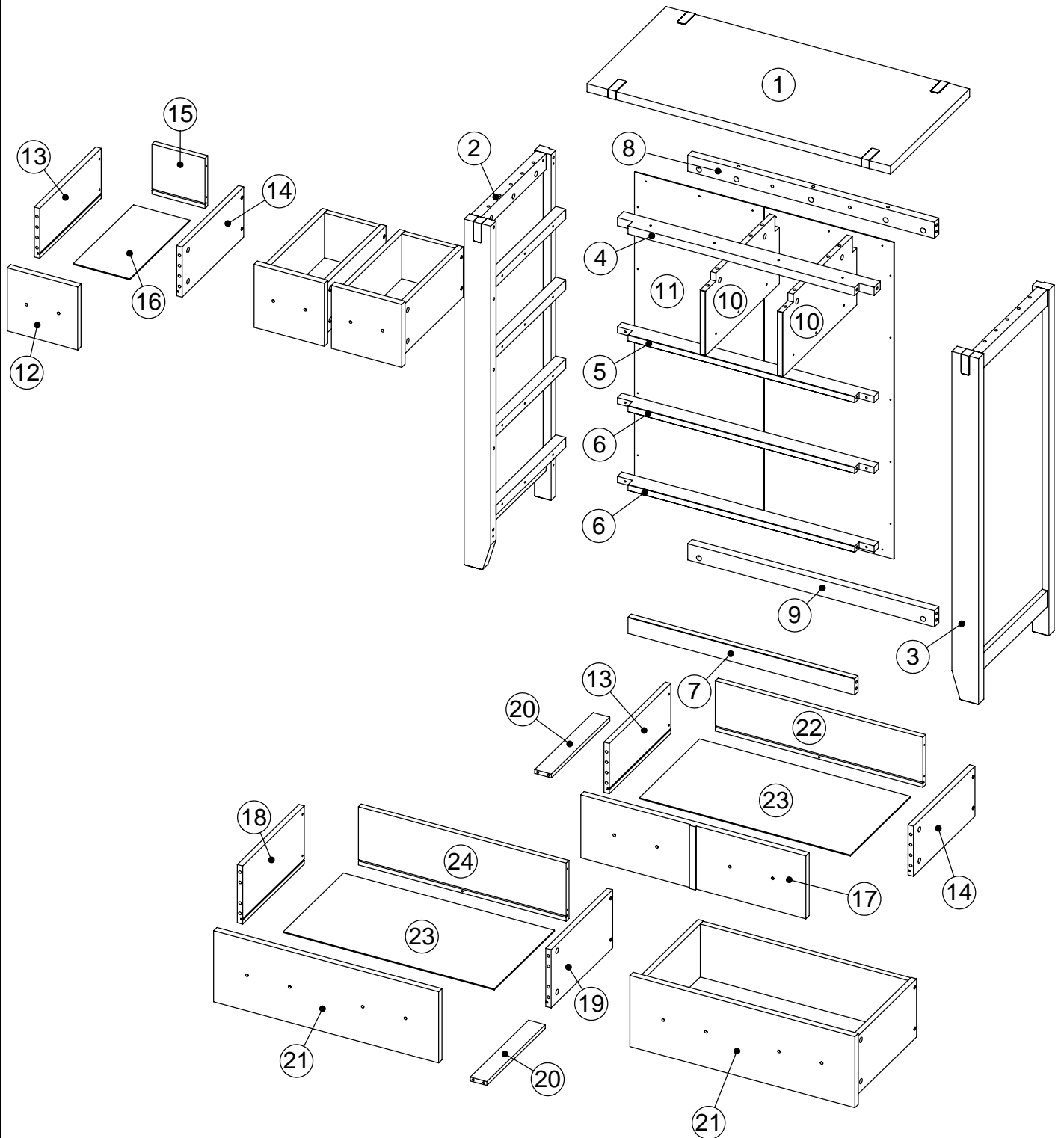
If you have a fault with your product please contact our customer service team on **0333 777 8999**. If you have had the product for 28 days or less you may be offered a replacement, refund or for a fully trained home service technician to visit your home to assess the fault and repair the product where possible. If you have had the product for more than 28 days we will send an independant home service technician to review and repair the product where possible and recommend further action.

You can write to us at

Home Customer Services
Next Retail Ltd,
Desford Road,
Leicester,
LE19 4AT

To View our full furniture range please visit www.next.co.uk

GETTING TO KNOW YOUR PRODUCT

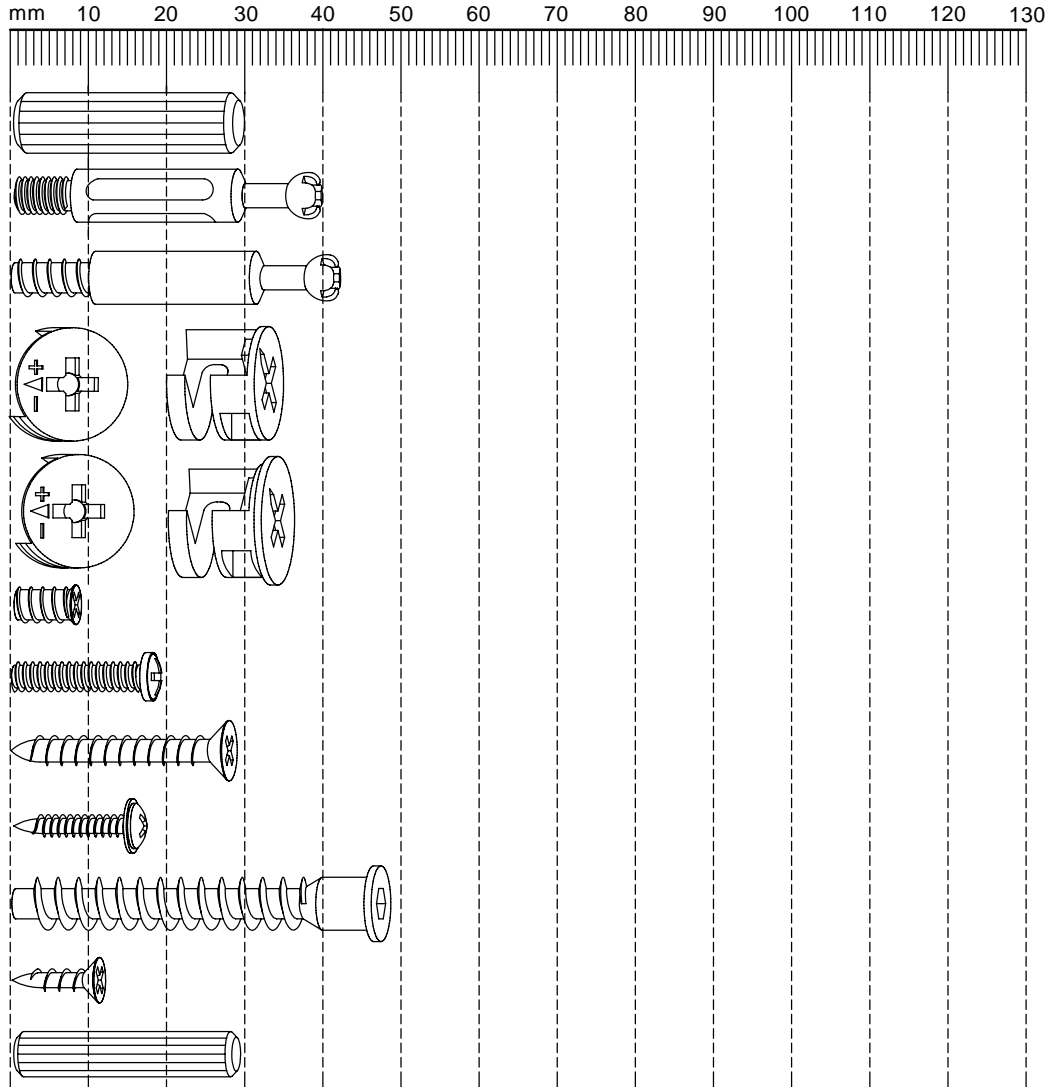


Components supplied. Please use this guide if you require replacement parts.

Ref	Dimensions	Visual	Qty	Ctn	Ref	Dimensions	Visual	Qty	Ctn
1	91 x 45cm		1	2	17	68 x 20cm		1	2
2	107 x 43cm		1	1	18	35 x 18cm		2	2
3	107 x 43cm		1	1	19	35 x 18cm		2	2
4	77 x 6cm		1	2	20	33 x 5cm		3	2
5	77 x 5cm		1	1	21	68 x 22cm		2	2
6	77 x 5cm		2	1	22	62 x 16cm		1	2
7	68 x 50cm		1	1	23	63 x 34cm		3	1
8	74 x 5cm		1	2	24	62 x 18cm		2	2
9	74 x 5cm		1	2					
10	42 x 23cm		2	1					
11	98 x 39cm		2	1					
12	21 x 20cm		3	2					
13	35 x 16cm		4	2					
14	35 x 16cm		4	2					
15	16 x 16cm		3	2					
16	34 x 17cm		3	1					

Fixtures and fittings supplied (actual size)

Ref	Dimensions	Qty
AA	8 x 30mm	50
AB	6 x 41mm	39
AC	6 x 44mm	8
AD	15 x 12mm	23
AE	15 x 12mm	24
AF	6 x 8mm	36
AH	4 x 18mm	18
AJ	4 x 30mm	37
AK	3 x 16mm	22
AL	7 x 50mm	4
AM	3 x 12mm	36
BF	6 x 30mm	6



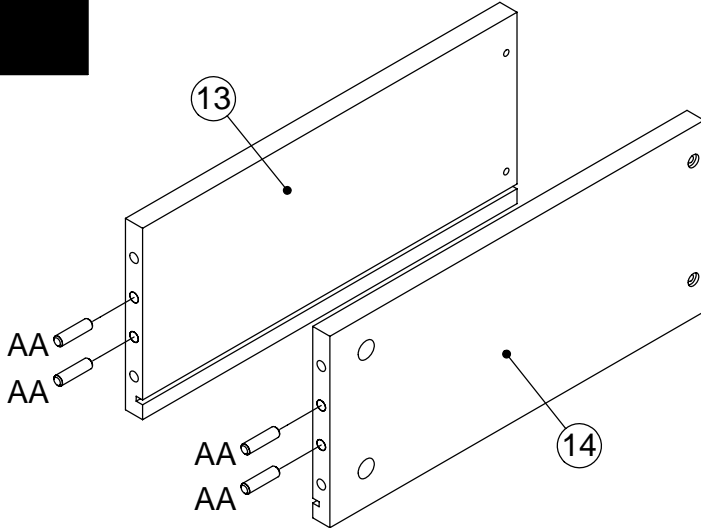
Fixtures and fittings supplied(not to scale)

Ref	Dimensions	Visual	Qty
AQ	350mm		6
AR	350mm		6
AS	350mm		6
AT	350mm		6

Fixtures and fittings supplied(not to scale)

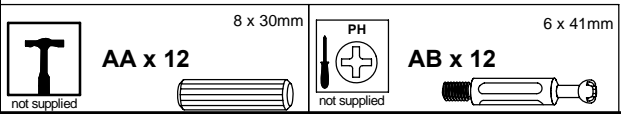
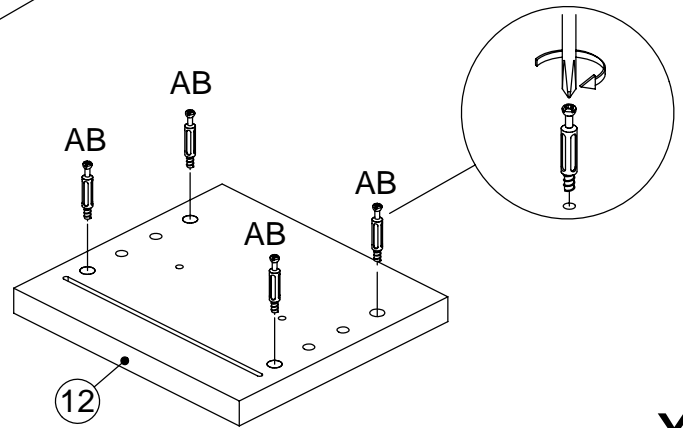
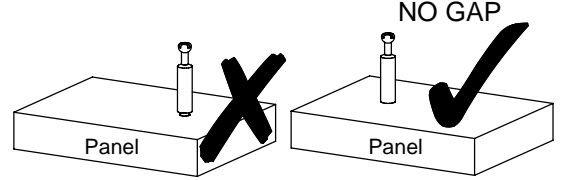
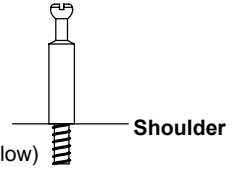
Ref	Dimensions	Visual	Qty
AU	128mm		6
AV	4mm		1
AW			1
BG	96mm		3

1



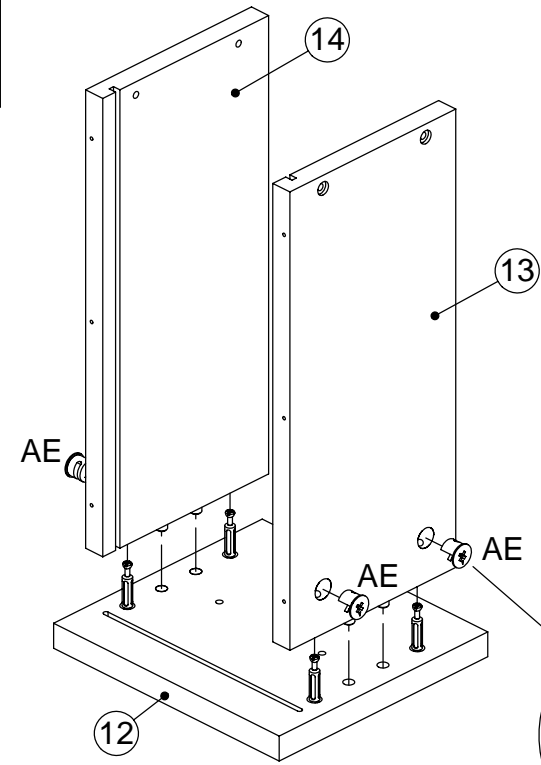
CAM-LOCK

Tighten until shoulder is flush with panel. Do not overtighten or undertighten (see example below)

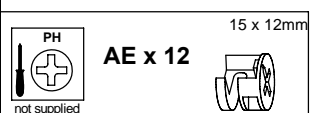
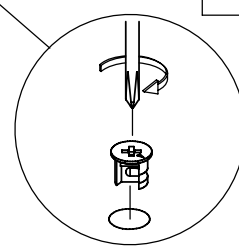
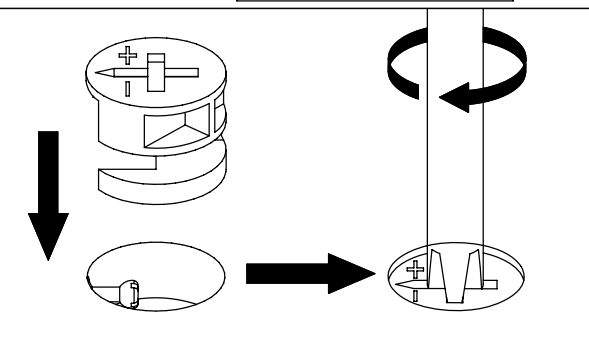
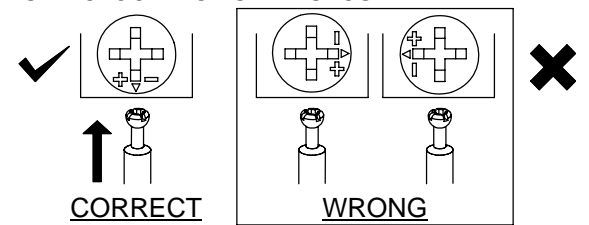


x3

2



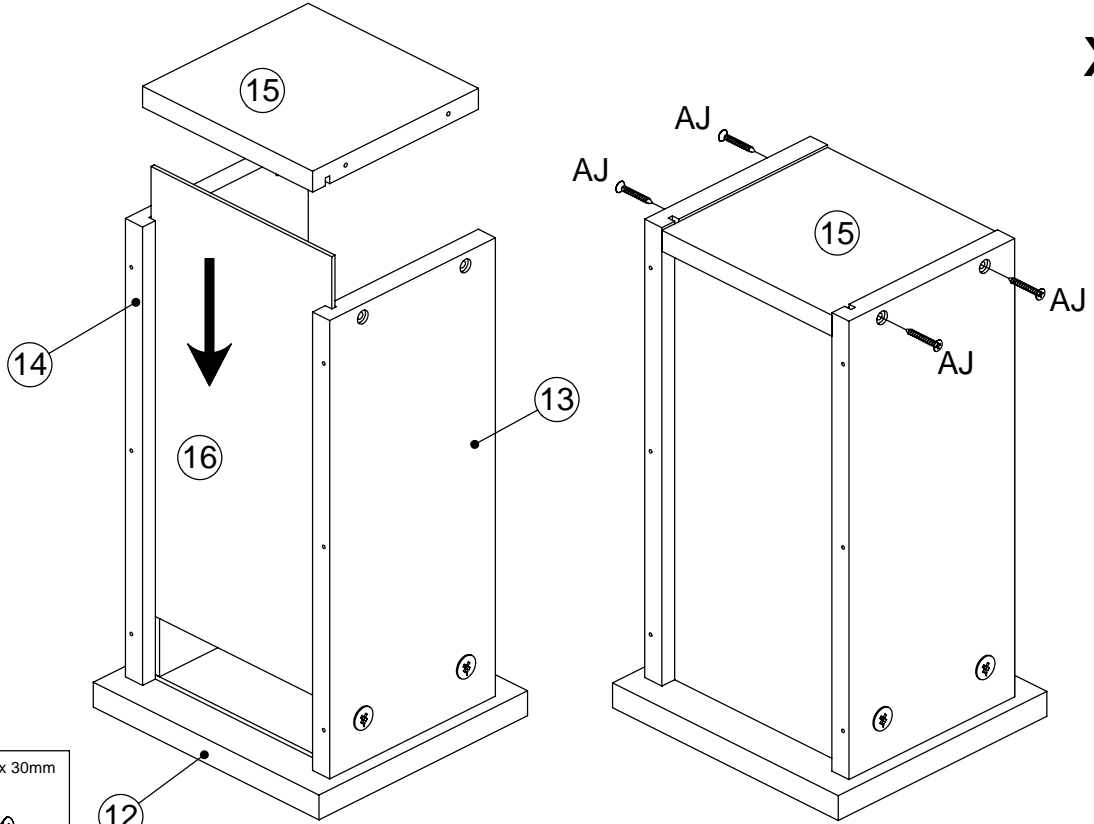
WHEN FITTING CAMS
ENSURE STARTING POSITION IS CORRECT
BEFORE YOU INSERT CONNECTING CAM-PILLAR
TURN CLOCKWISE UNTIL SECURE



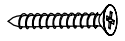
x3

3

x3

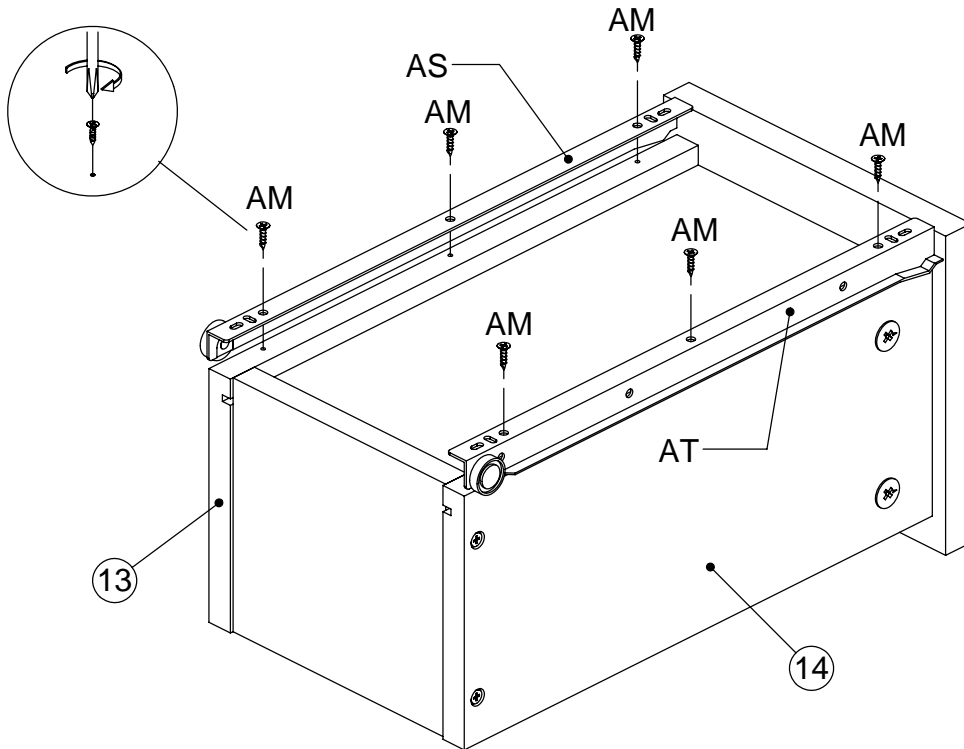


4 x 30mm
AJ x 12



4

x3



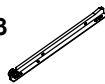
3 x 12mm
AM x 18



AS x 3

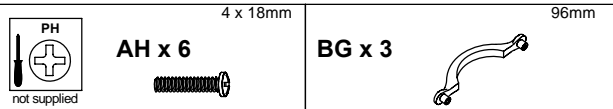
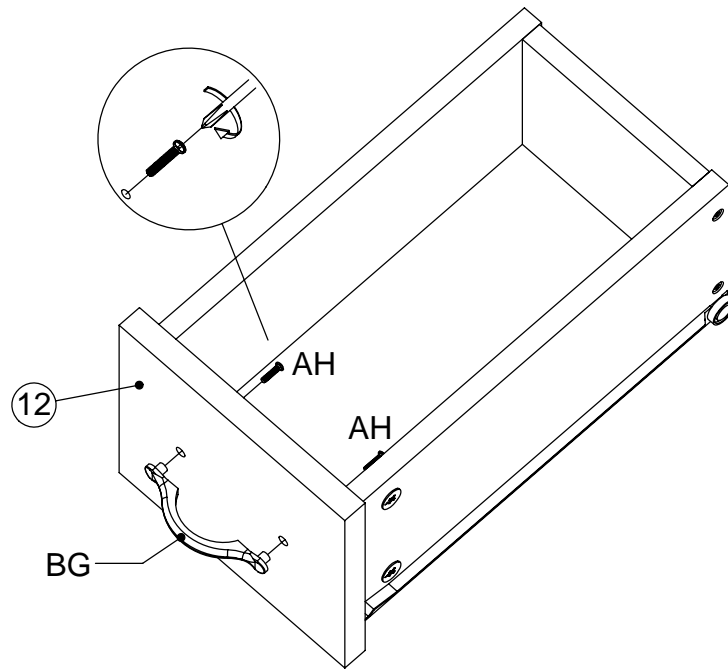


AT x 3

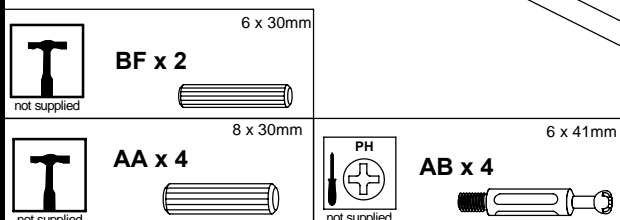
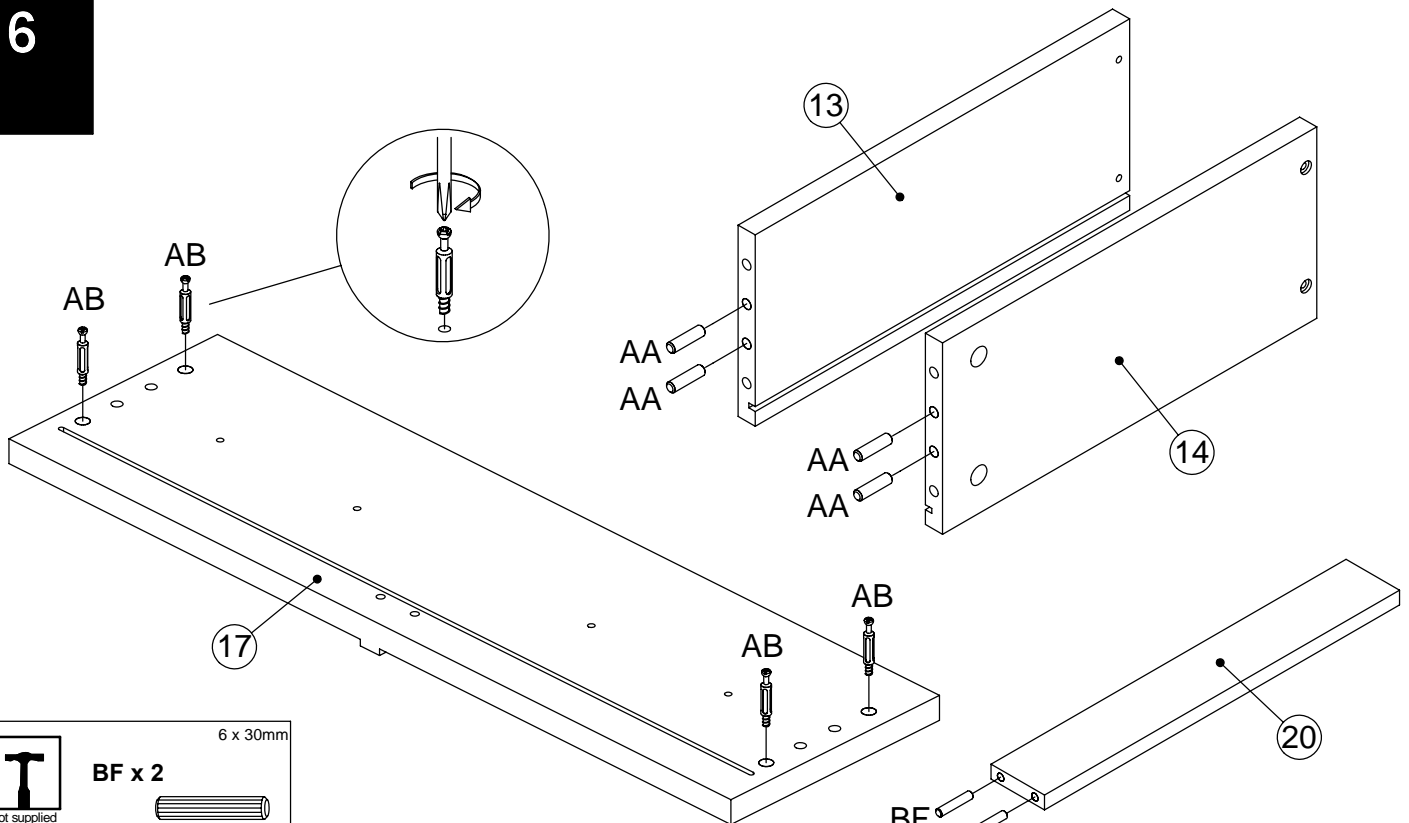


5

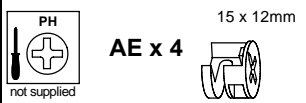
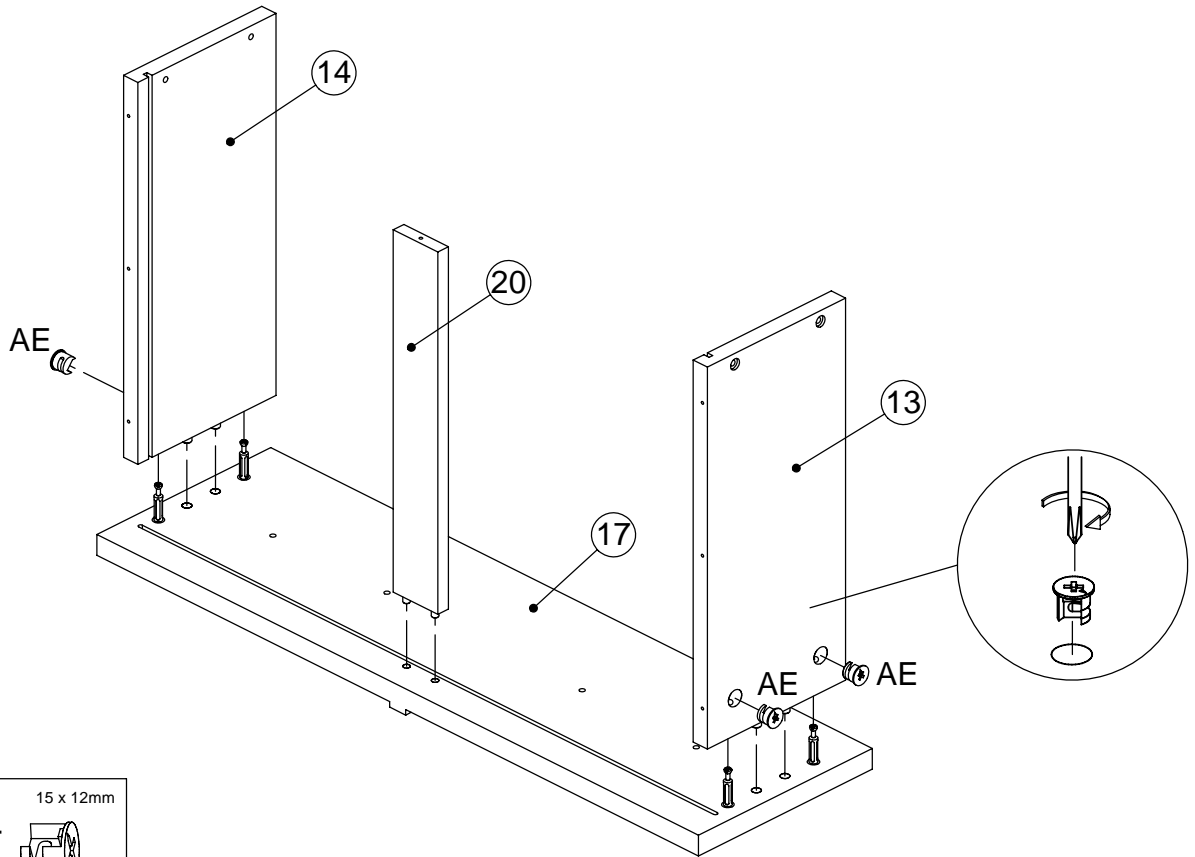
x3



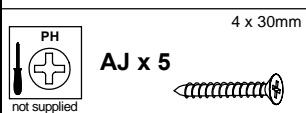
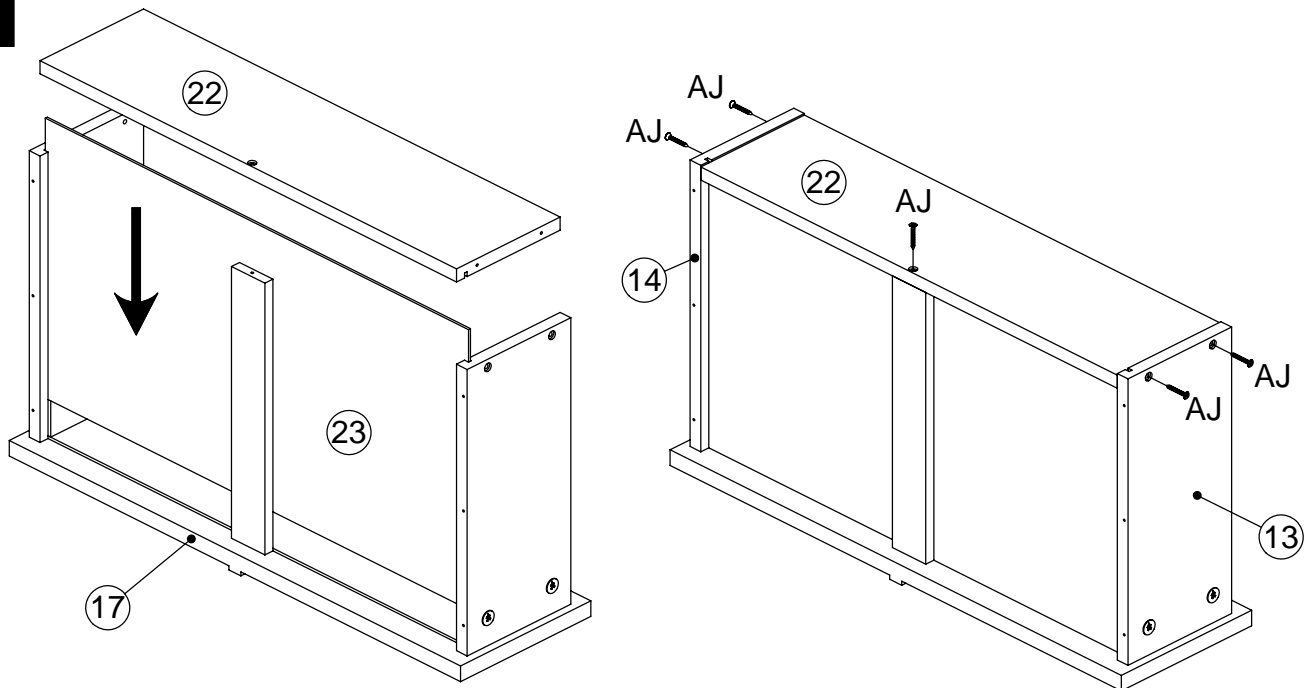
6



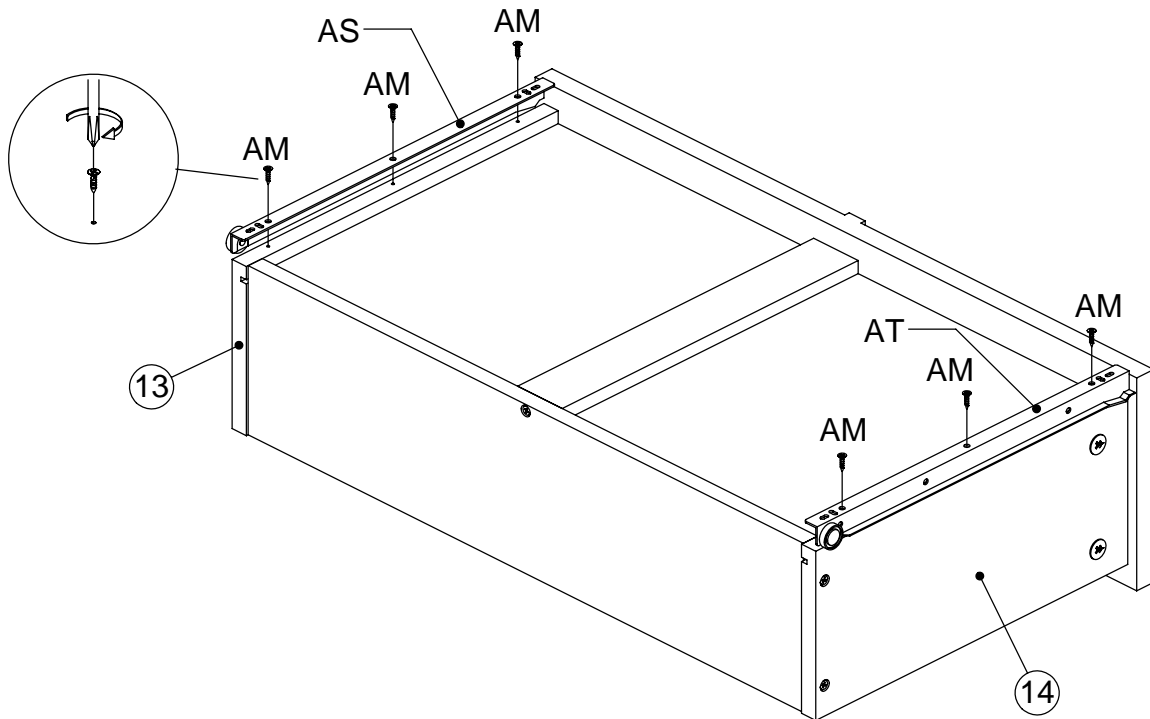
7

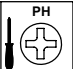
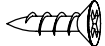
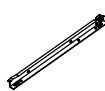
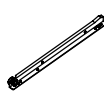


8

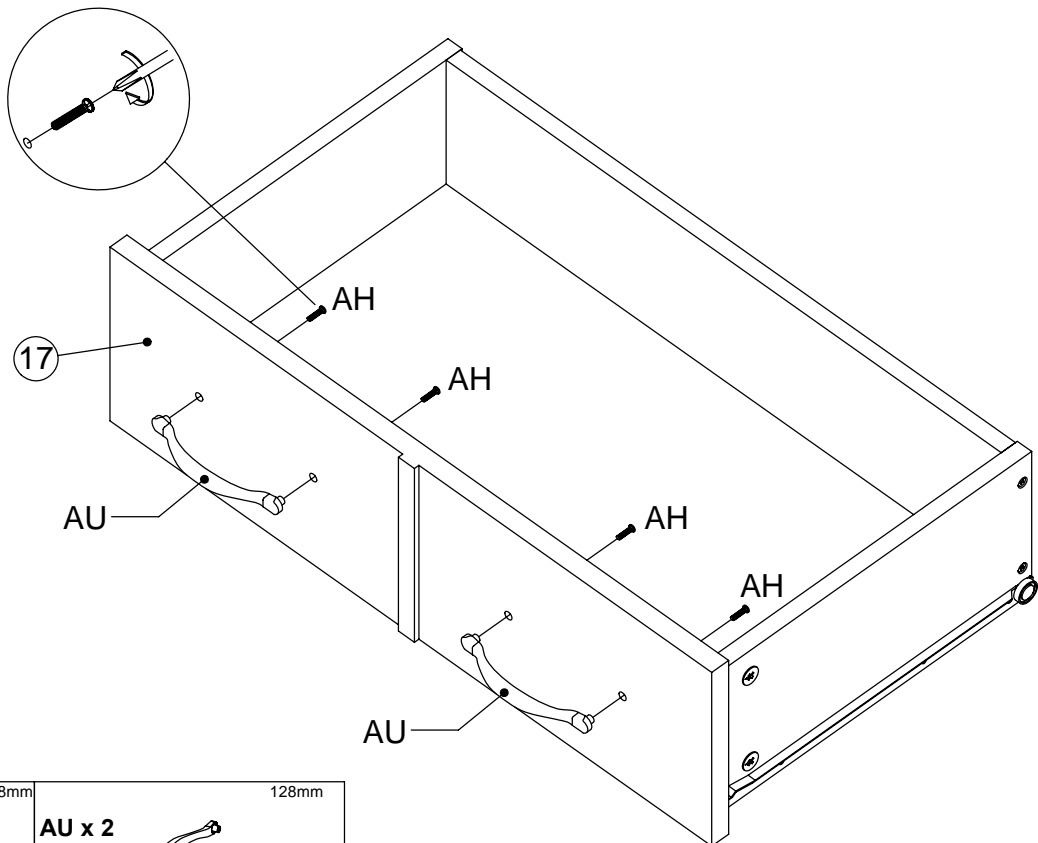


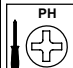


9



 PH not supplied	AM x 6 3 x 12mm 	AS x 1 350mm 	AT x 1 350mm 
--	---	--	--

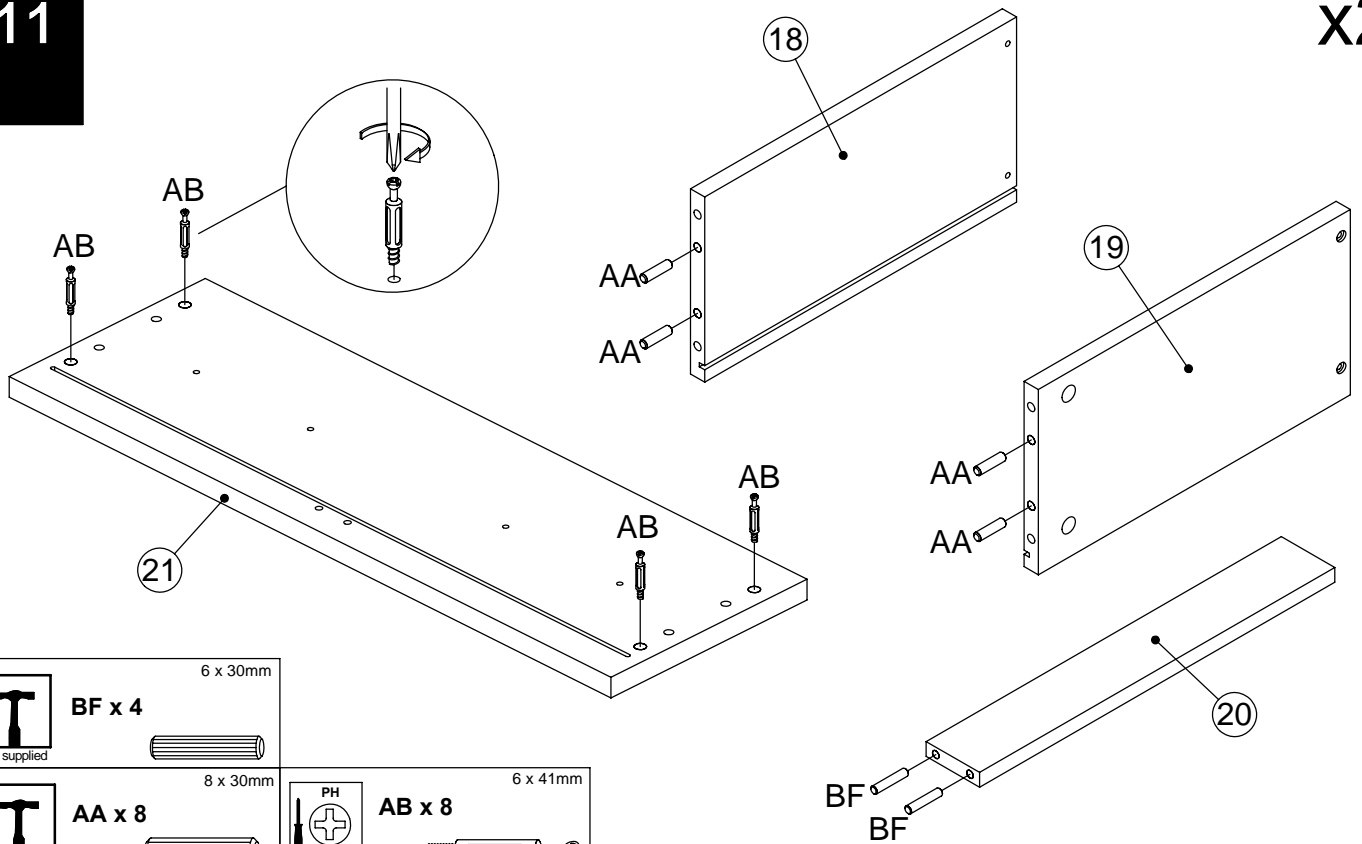
10



 PH not supplied	AH x 4 4 x 18mm 	AU x 2 128mm 
--	---	--

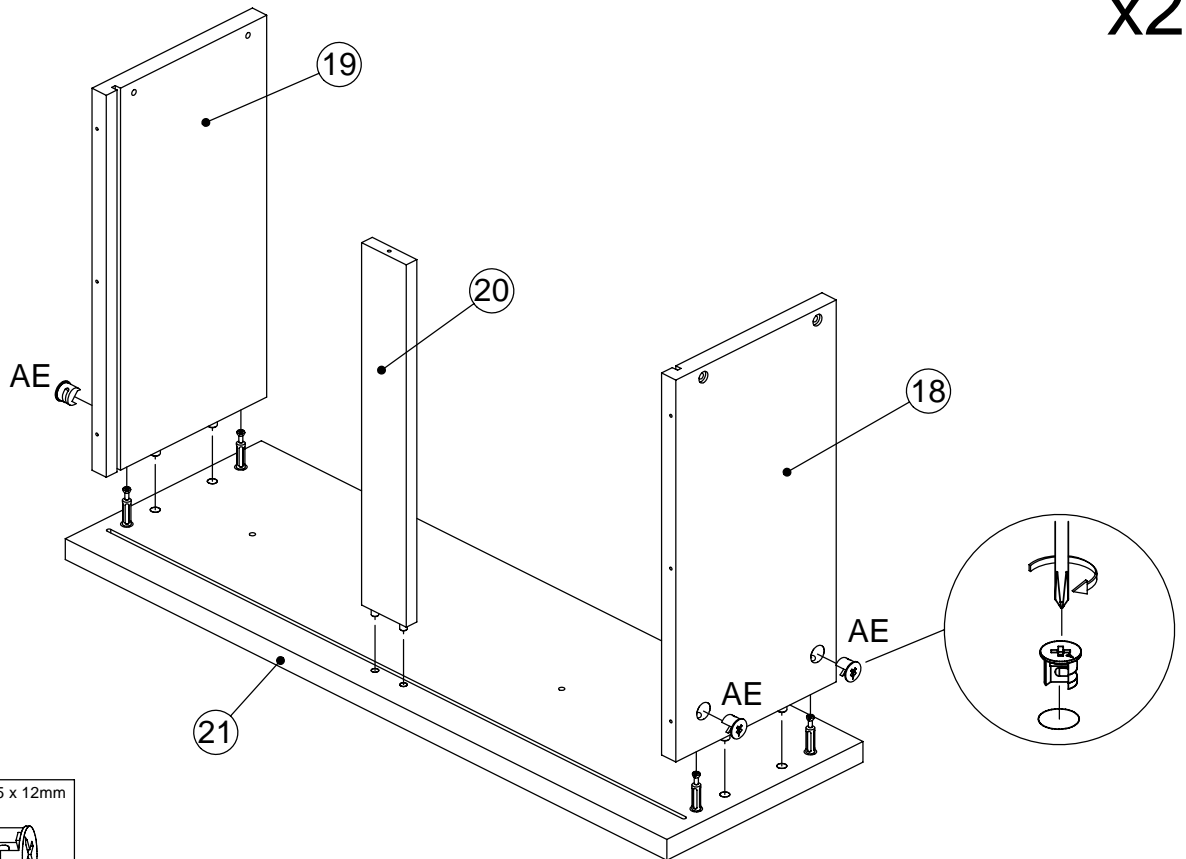
11

x2



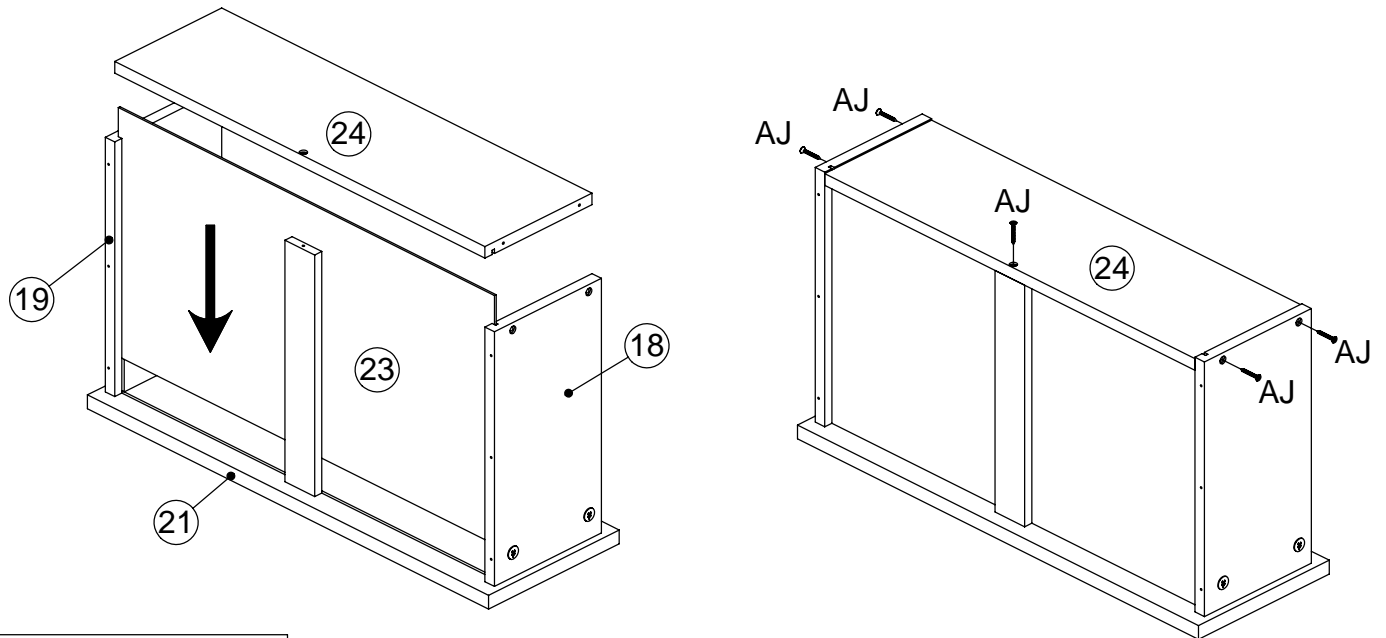
12

x2



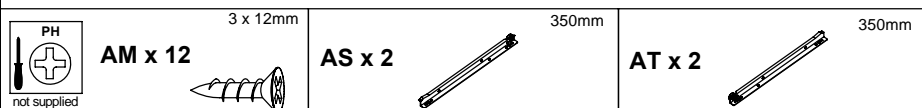
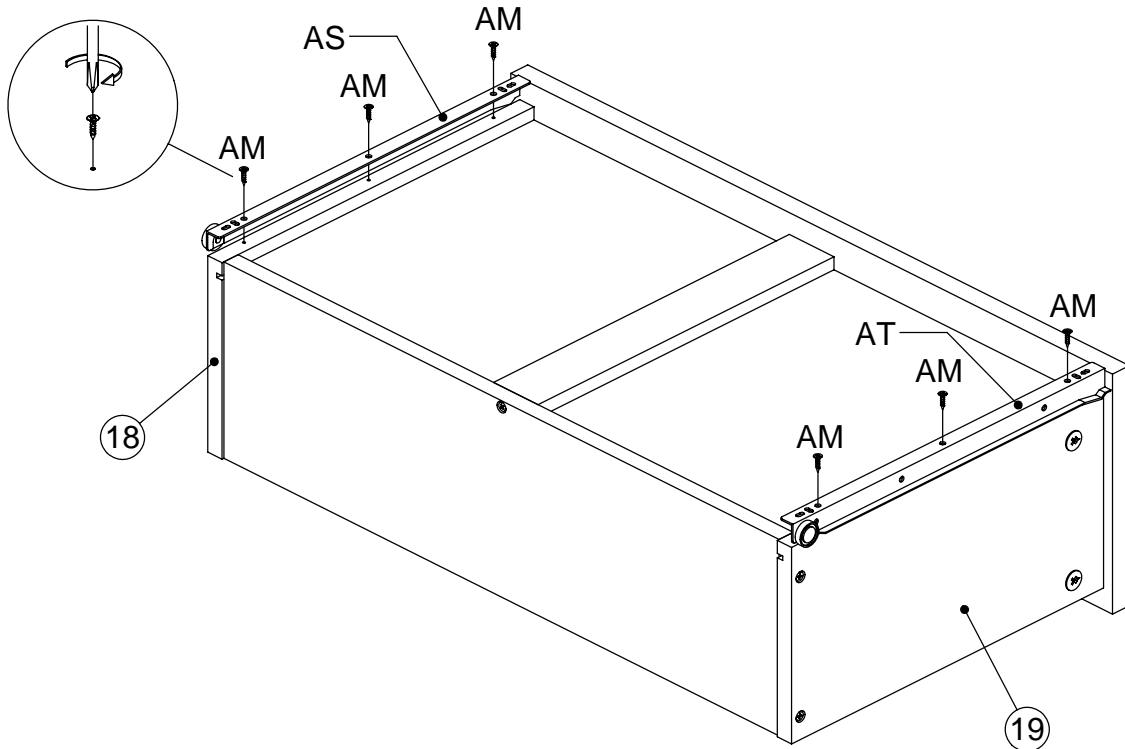
13

x2



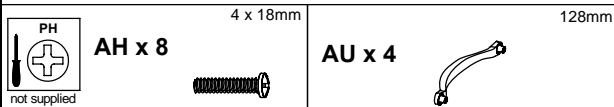
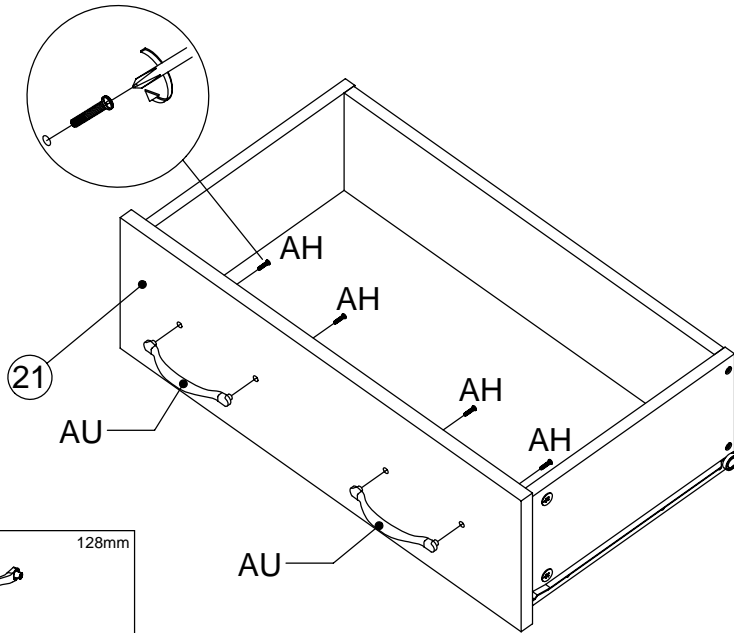
14

x2

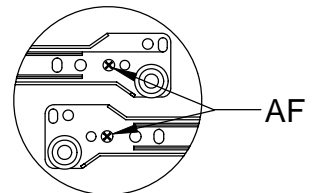
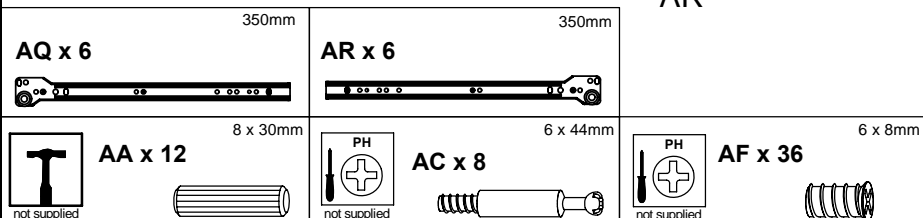
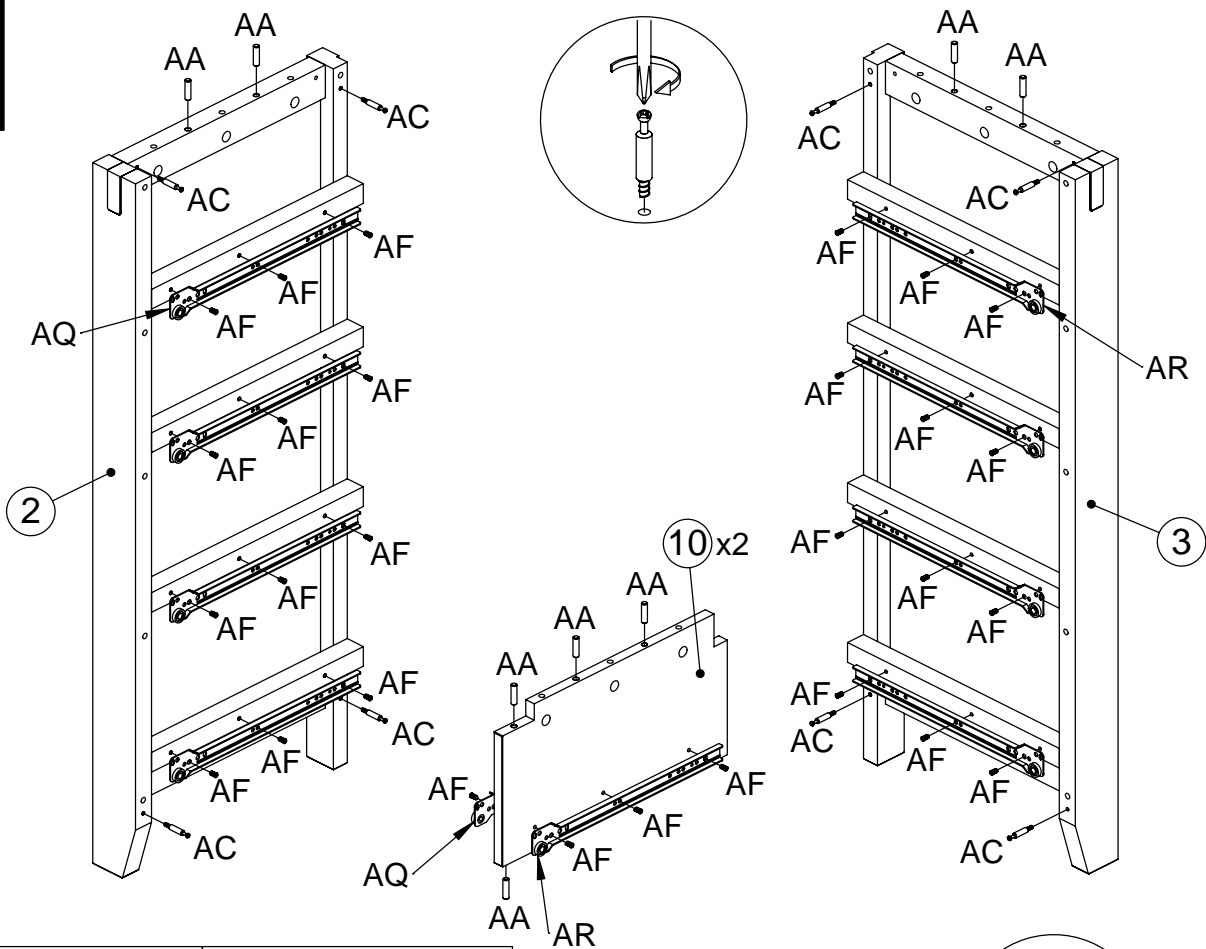


15

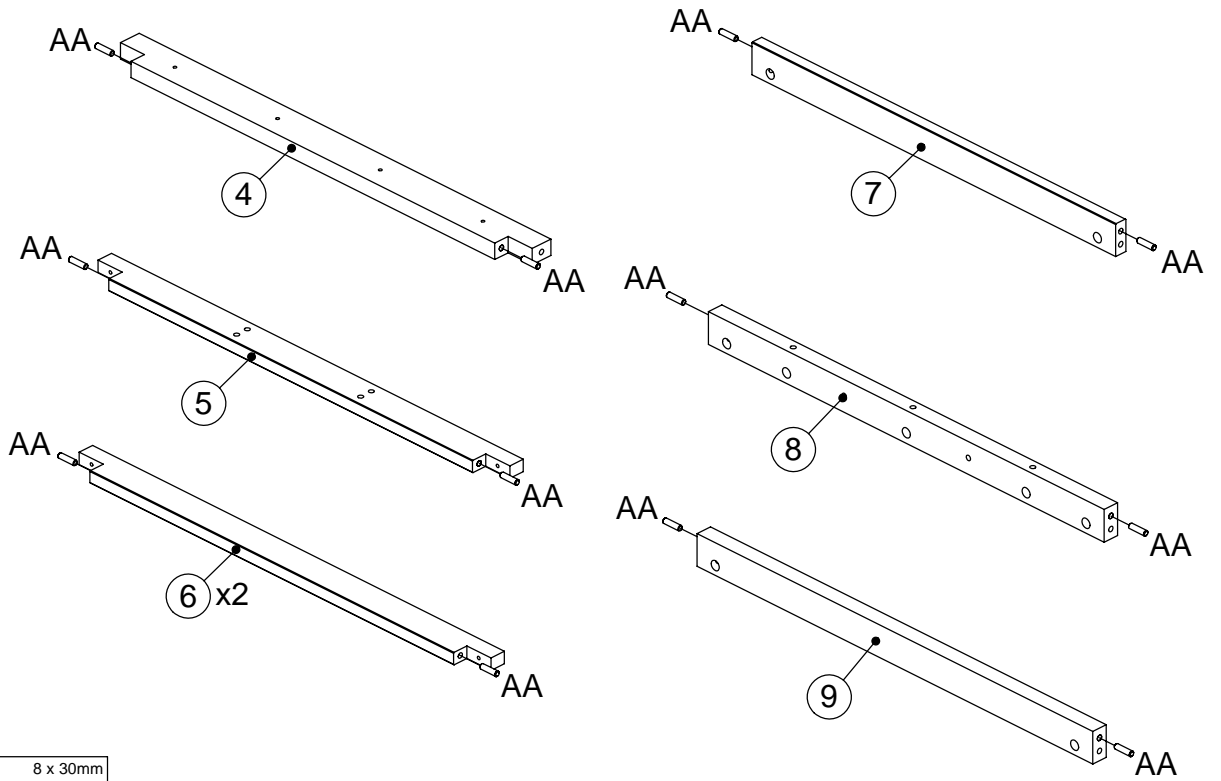
x2



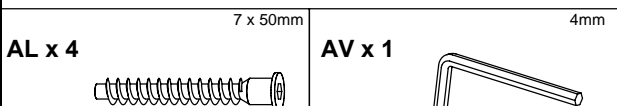
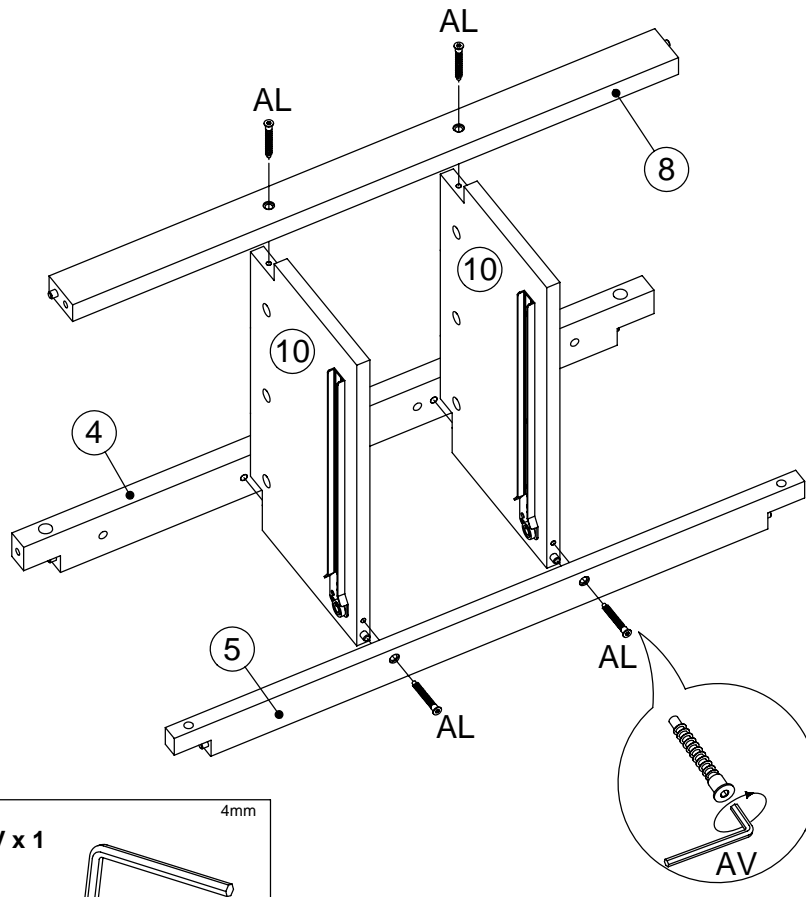
16



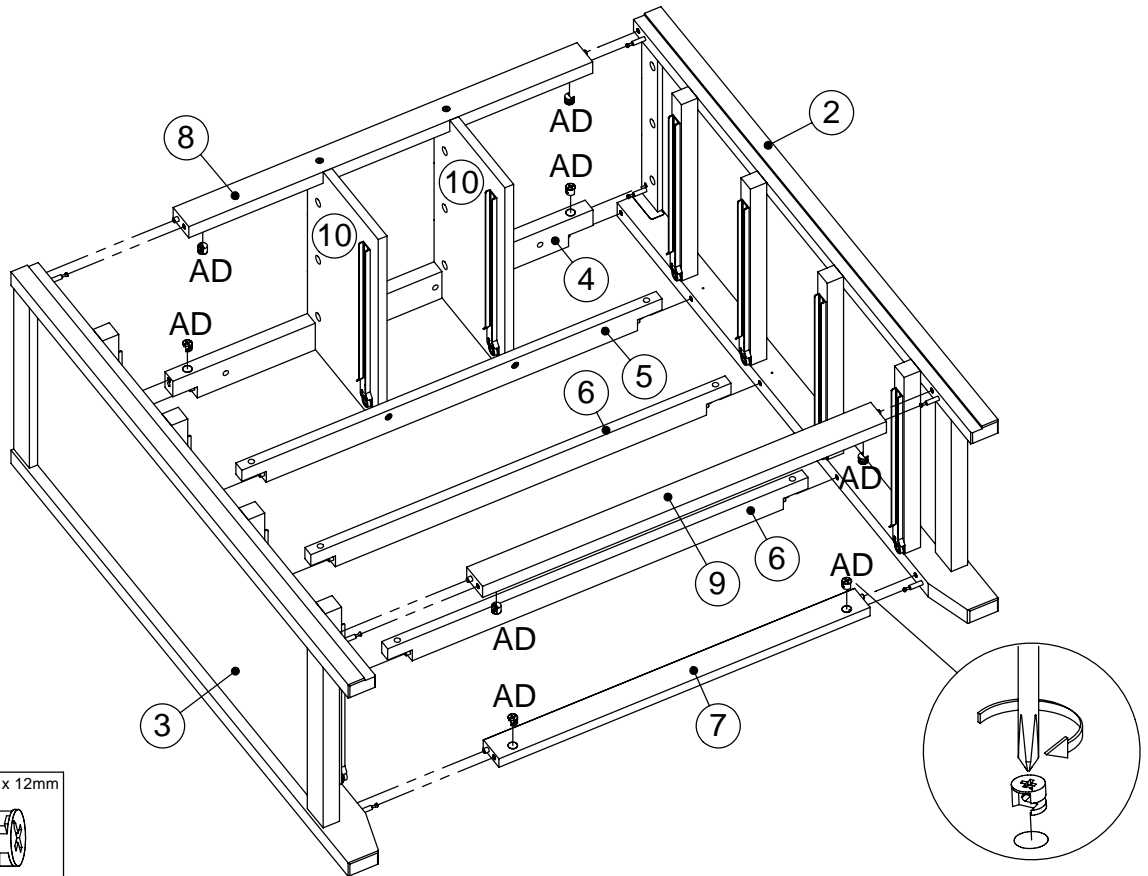
17



18



19

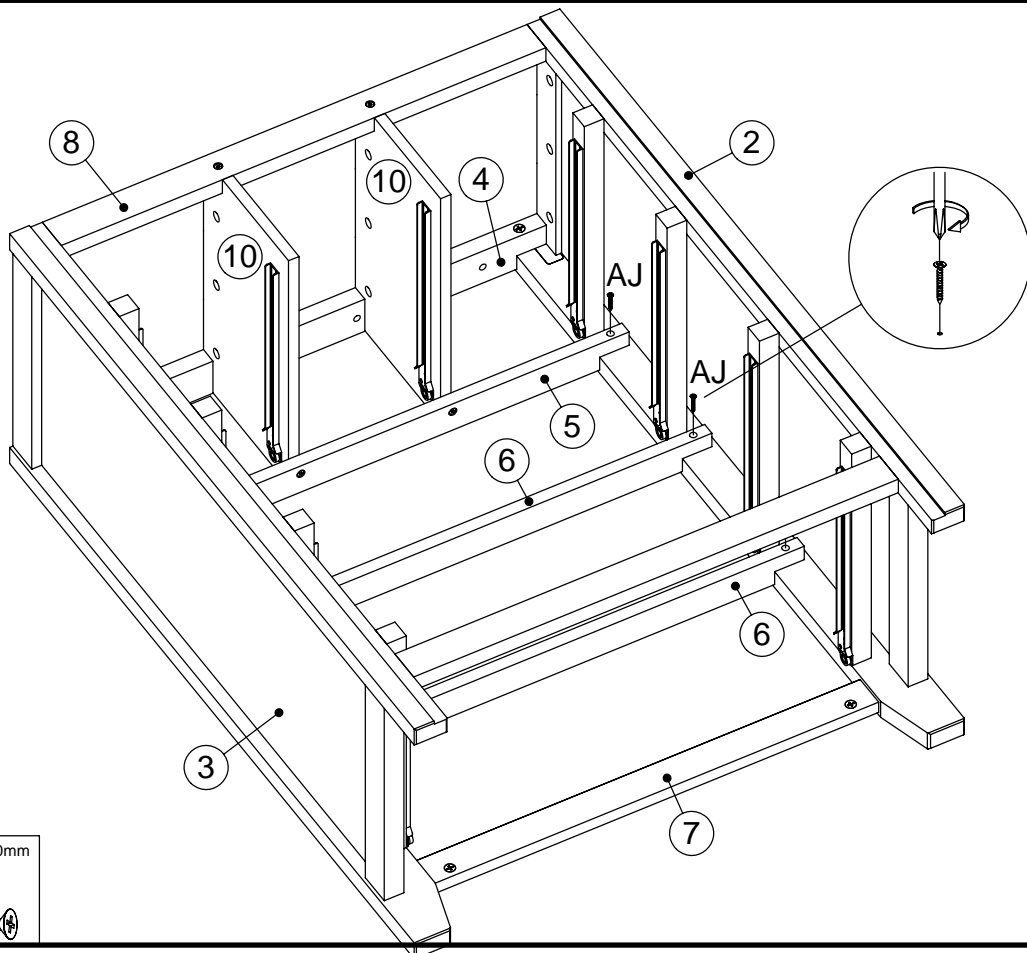


PH
not supplied

AD x 8

15 x 12mm

20

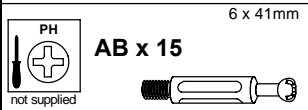
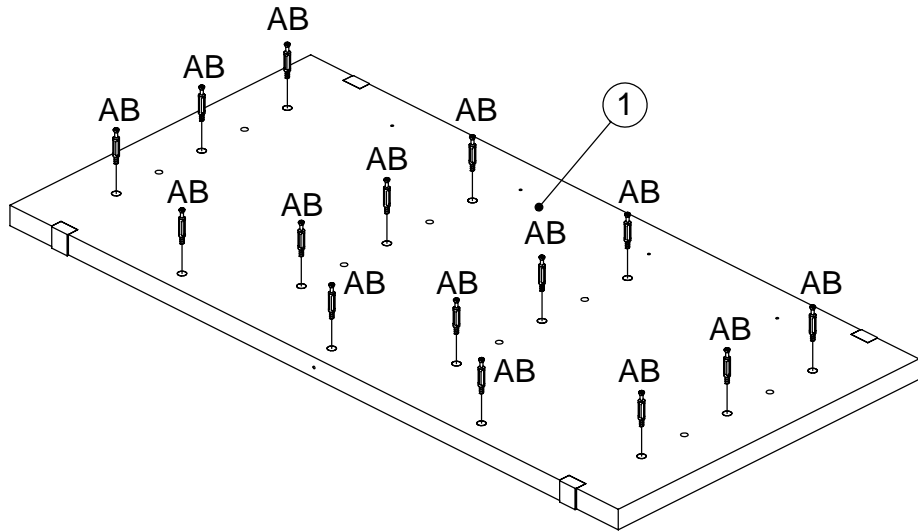


PH
not supplied

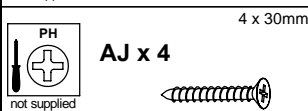
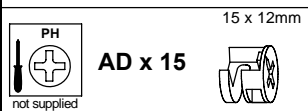
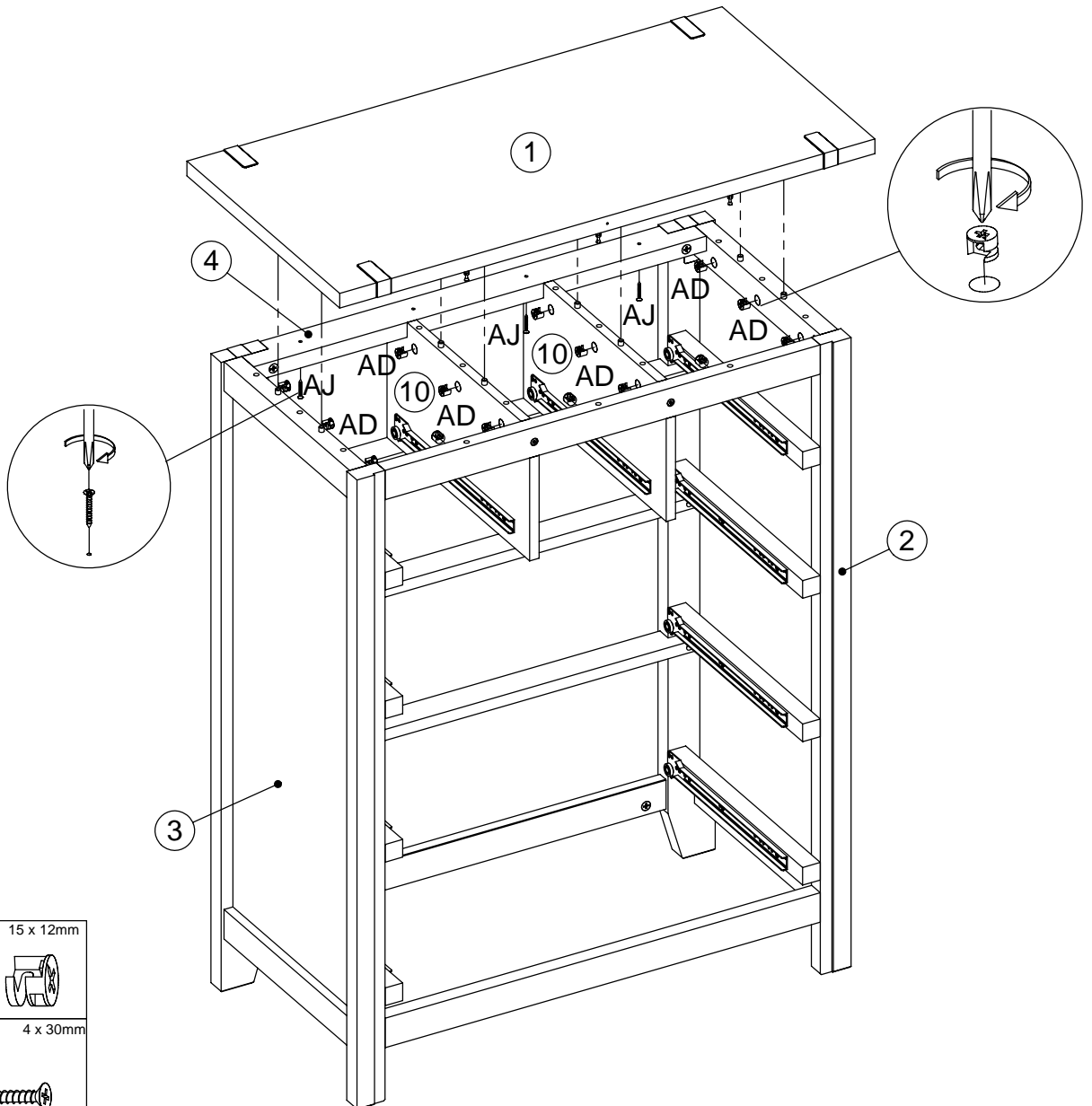
AJ x 6

4 x 30mm

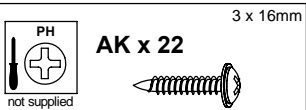
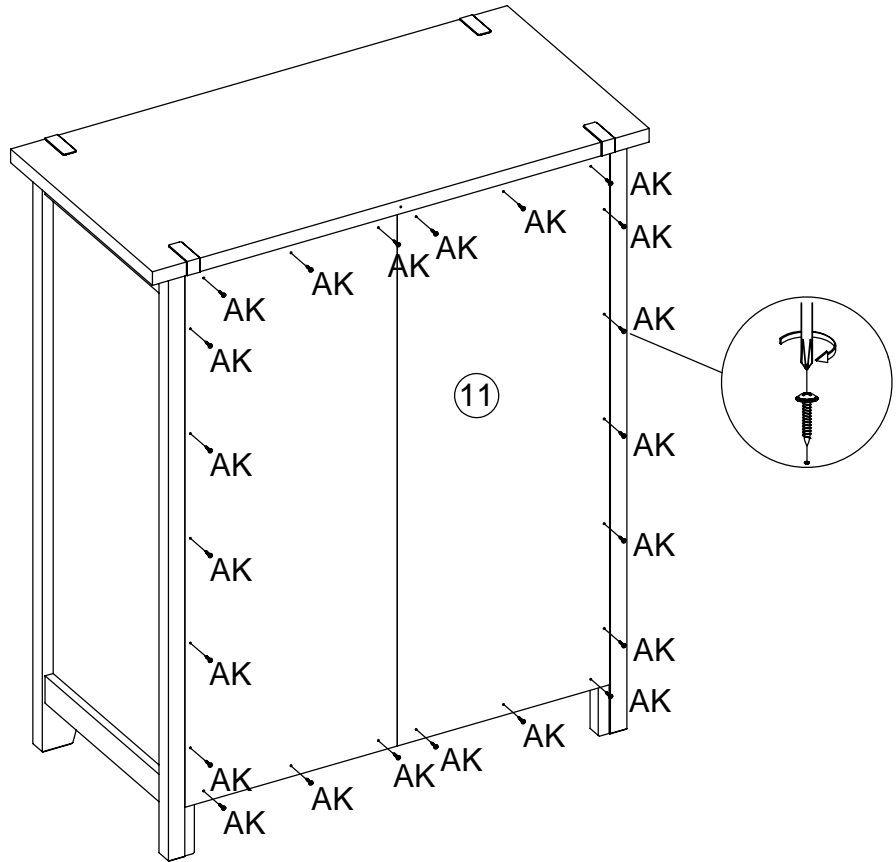
21



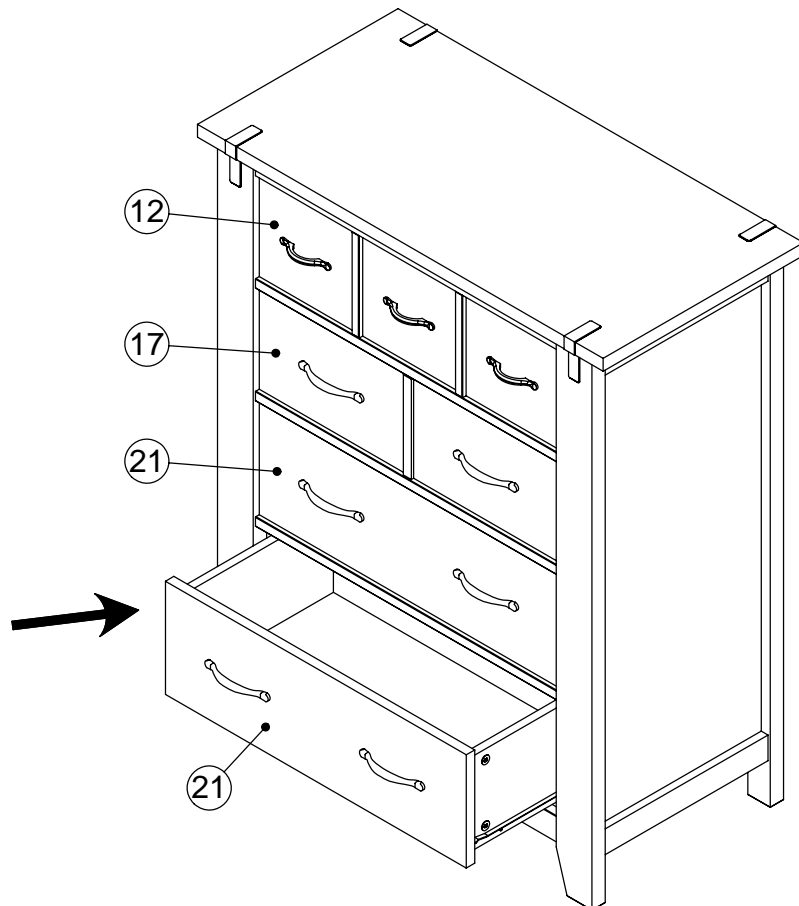
22



23



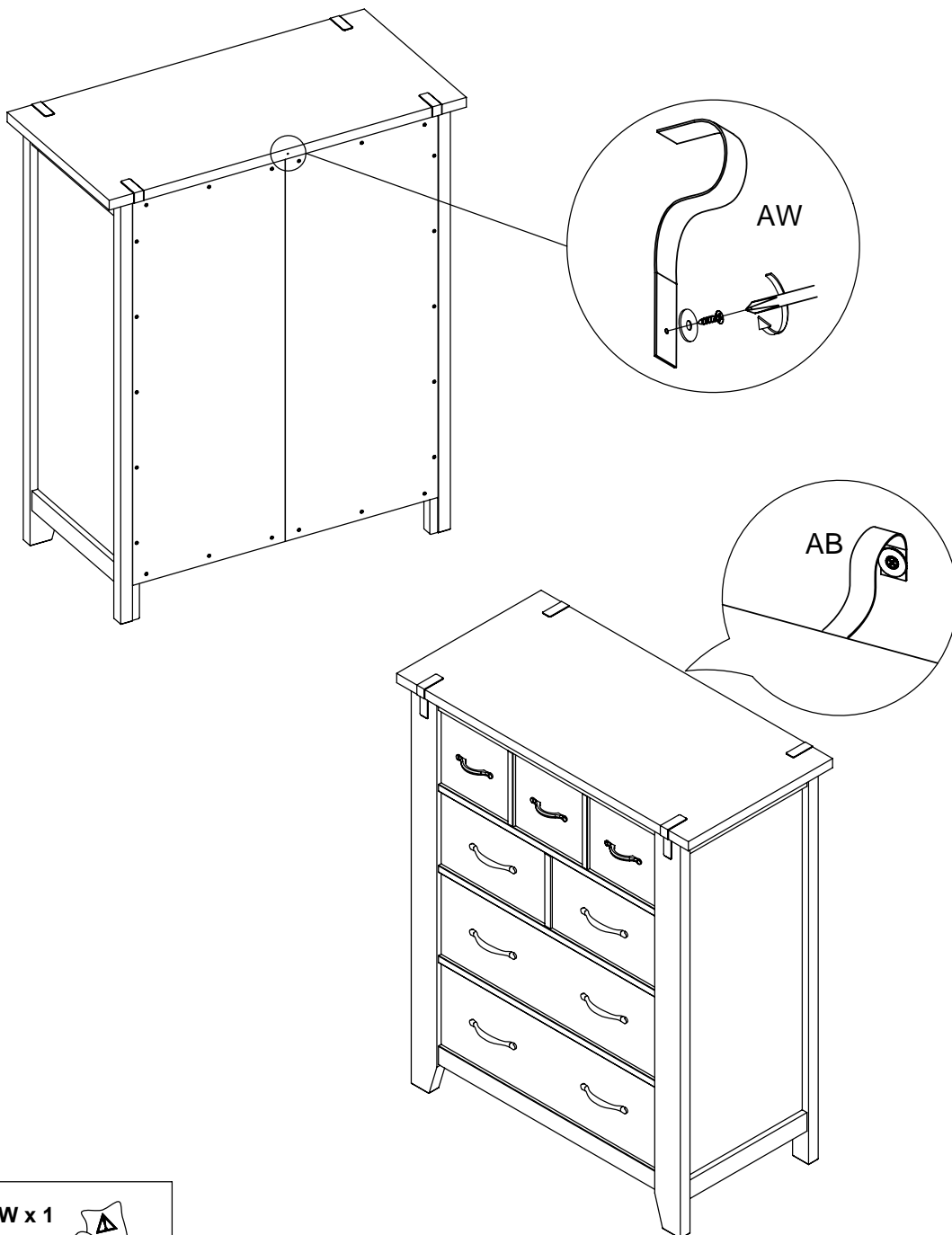
24



25

We recommend the use of the wall strap provided for safety reasons. Please follow the instructions included with the strap. N.B. Wall fixings are not included please source suitable fixings for your wall type. If in doubt, please consult a qualified tradesperson. **WARNING:** Always ensure the wall to be drilled is free from hidden electrical wires, water and gas pipes.

Please read separate instructions contained with this part (AW) on the correct way of securing this strap.



next

CLARENDON CHEST
769392

Actual product size
H110 x W91 x D45cm

