

next

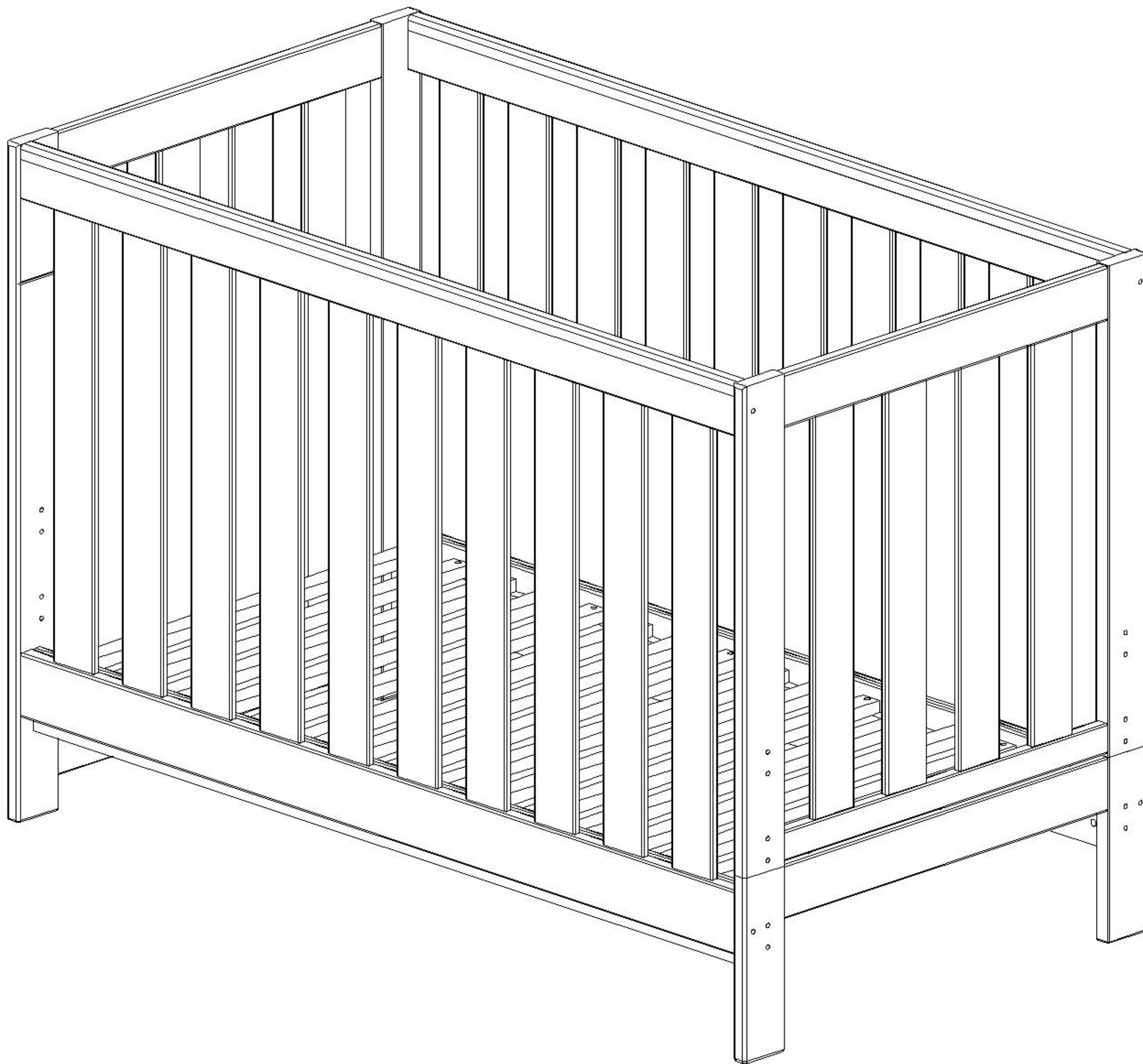
# HIGHBURY COT BED

782564 / 670330

Assembly instructions

**Actual product size**

H100 x W79.5 x L145.3cm



**Need Help ?**

With: Assembly instructions  
Missing or damaged parts

**CALL: 0333 777 8999**

**IMPORTANT - RETAIN FOR FUTURE REFERENCE**

## BEFORE YOU START

### IMPORTANT - RETAIN FOR FUTURE REFERENCE - READ CAREFULLY.

This bed conforms to BS EN 716 Part 1,2: 2008.

#### WARNINGS

- The beds should not be placed too close to other furniture or windows, and should be placed either tight against a wall or have a gap of 300mm between the wall and the side of the bed.
- We recommend that any additional or replacement parts should be obtained from the retailer.
- **WARNING** Do not place the beds near heat sources, windows and other furniture. **WARNING** Do not use the beds if any part is broken, torn or missing .
- **WARNING** assembly by adult only.
- **WARNING** once assembled this bed is not designed for dis-assembly and re-assembly.
- Once the mattress is placed on the bed base, make sure the gap between the mattress and the sides and ends can not exceed 30mm .
- Do not leave anything in the bed, which could provide a foothold or present a danger of suffocation or strangulation .
- Assembly fittings should always be tightened properly and care should be taken that no screws are loose to ensure baby does not trap parts of the body, or clothing .
- The mattress chosen shall be such that the internal height (surface of the mattress to the upper edge of the bed frame ) is at least 500mm in the lowest position of the bed base and at least 200mm in the highest position of the bed base .
- To prevent injury from falls, the cot shall no longer be used for the child when the child is able to climb out of the cot.

#### Do's

- When you are ready to start, make sure that you have the right tools and plenty of space .
- Due to the size of the product we recommend that it is assembled in the room intended for use .
- Unwrap all packaging materials and place the components on a clean surface to protect it from damage, We recommend that the packaging is used to protect the surfaces during assembly .
- Carefully check that you have all the parts before beginning assembly .
- Occasional overall cleaning should be carried out approximately once a month by using a slightly dampened soft cloth then buff with a dry clean soft cloth .
- Never allow any kind of liquid to remain on your furniture. Absorption can cause finishes to de-laminate.
- When moving your assembled bed, It is best to lift the bed, and never to drag it .
- Please periodically check the stability and security of the beds. Please periodically check the fasteners and re-tighten as necessary .
- The height of the bed base is adjustable by changing the position of the bolts to different ready-made levels on the beds ends. The lowest position is the safest and that the base should always be used in that position as soon as the baby is old enough to sit up .
- We recommend the size of the mattress: L 14 00mm W 7 00mm H 100mm .

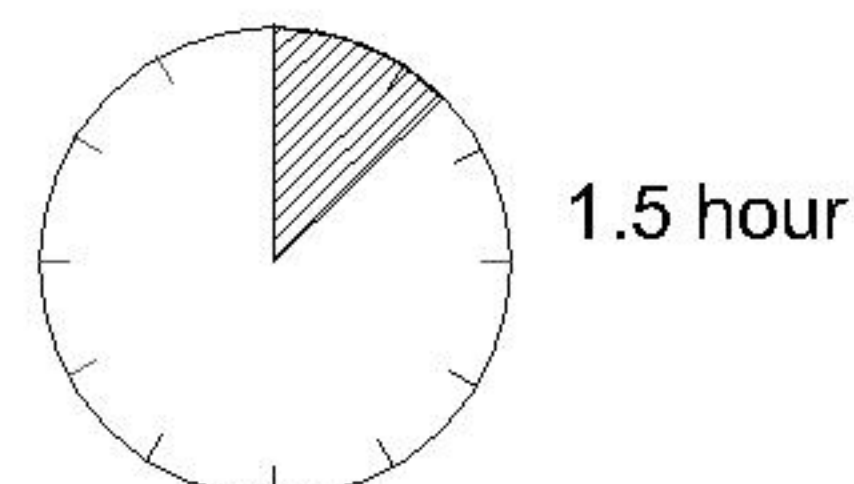
#### Don'ts

- Please do not jump on your furniture .
- Keep away from fire and other sources of strong heat, such as electric bar, fire, gas fire etc .
- Do not drag or pull your furniture .
- Do not use silicone based furniture polish. Silicone in furniture polishes can break down the lacquer finish .
- Do not stand or jump on this product .

### Number of people required to assemble

Two people are required to assemble this item.

### Time to assemble



### Tools required



### Missing parts

If you are missing any fixtures and fittings for your product please contact our customer service team on **0333 777 8999** and they will be happy to arrange for a replacement to be sent to you free of charge.

### Home service technicians

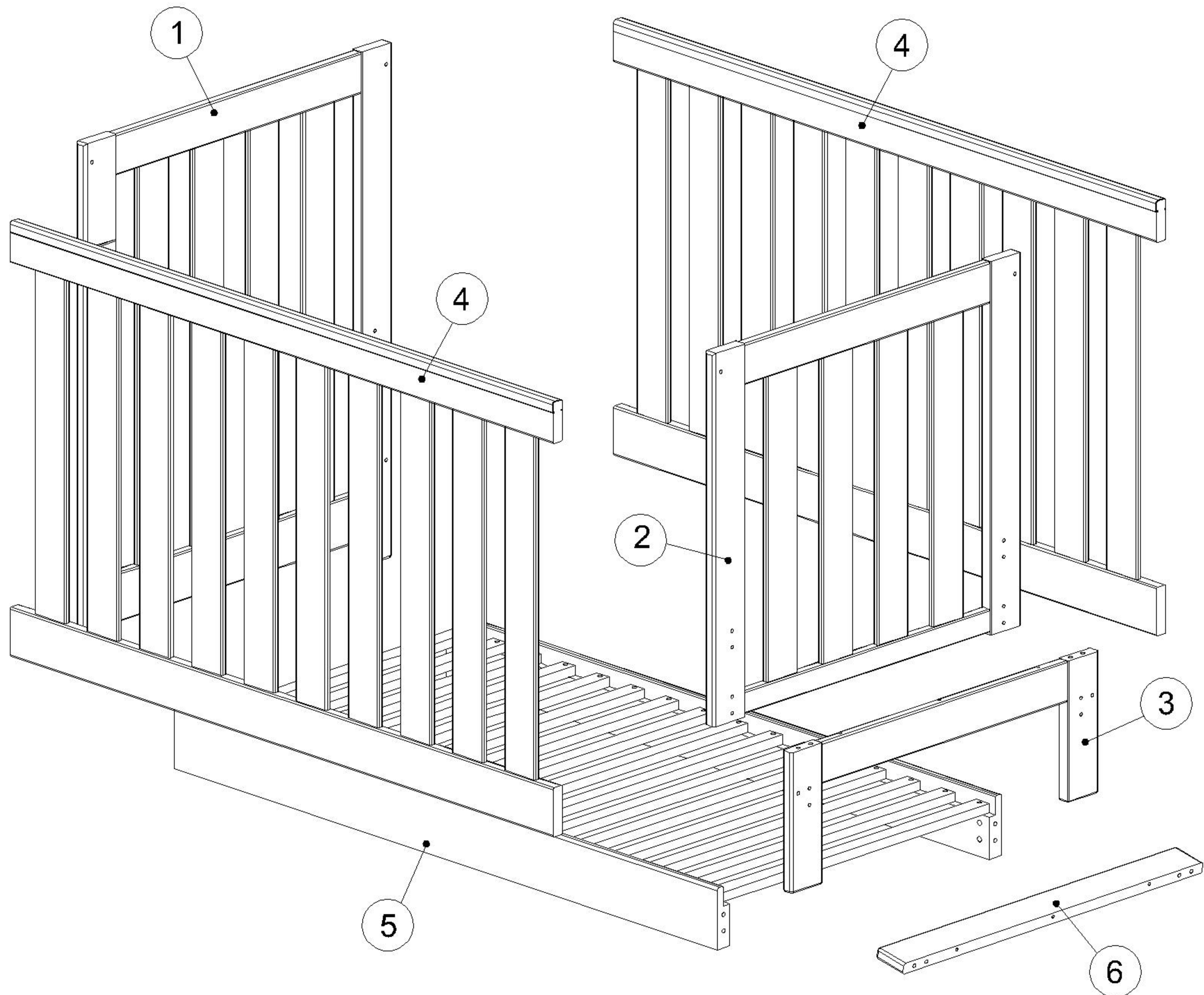
If you have a fault with your product please contact our customer service team on **0333 777 8999**. If you have had the product for 28 days or less you may be offered a replacement, refund or for a fully trained home service technician to visit your home to assess the fault and repair the product where possible. If you have had the product for more than 28 days we will send an independant home service technician to review and repair the product where possible and recommend further action.

### You can write to us

Home customer services  
Next Retail Ltd,  
Desford Road,  
Leicester,  
LE19 4AT

To view our full furniture range please visit [www.next.co.uk](http://www.next.co.uk)

GETTING TO KNOW YOUR PRODUCT



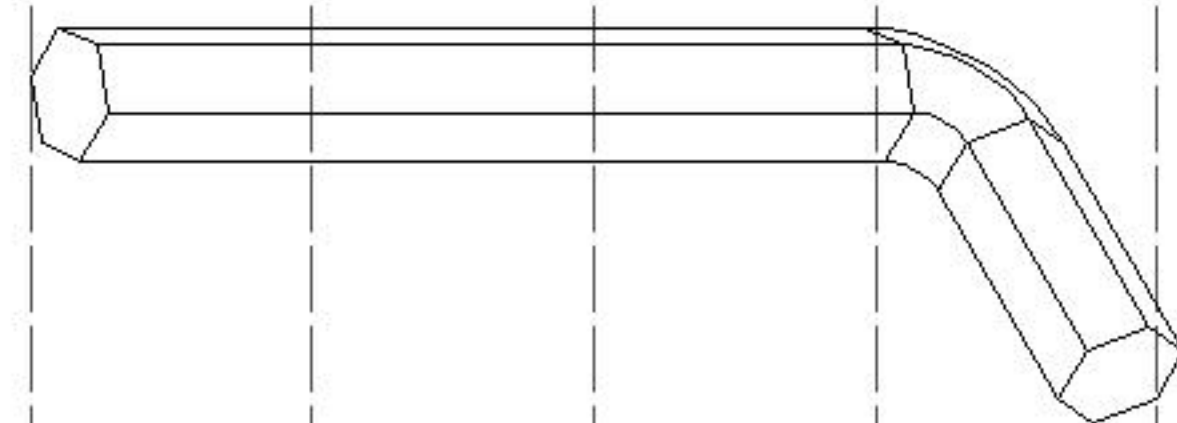
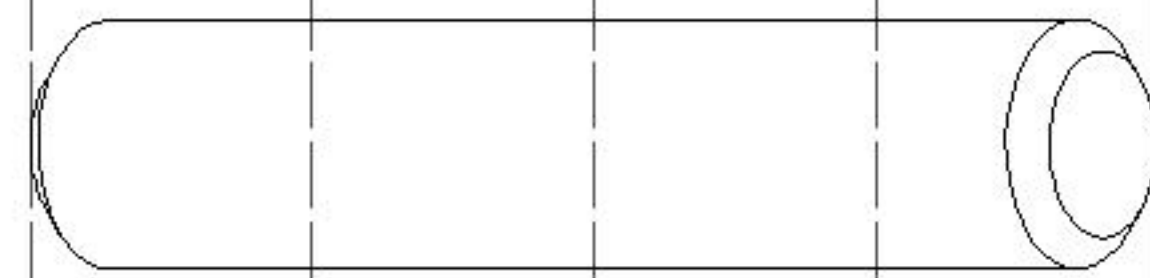
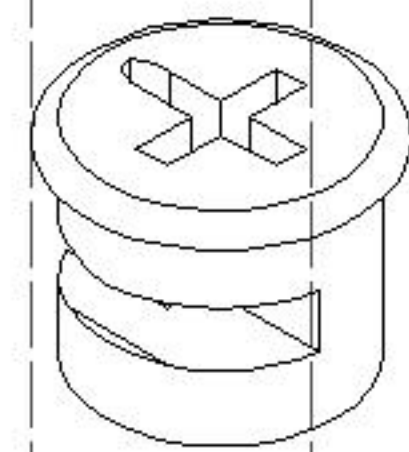
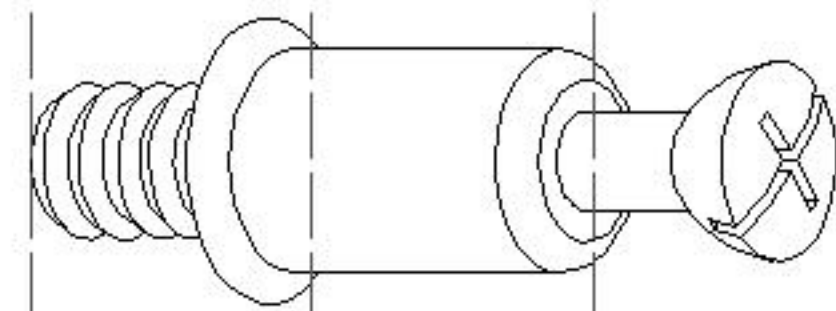
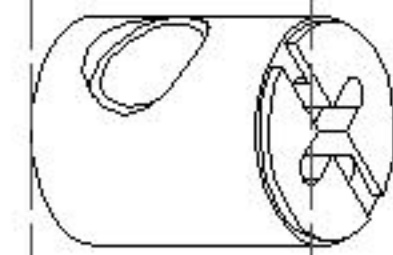
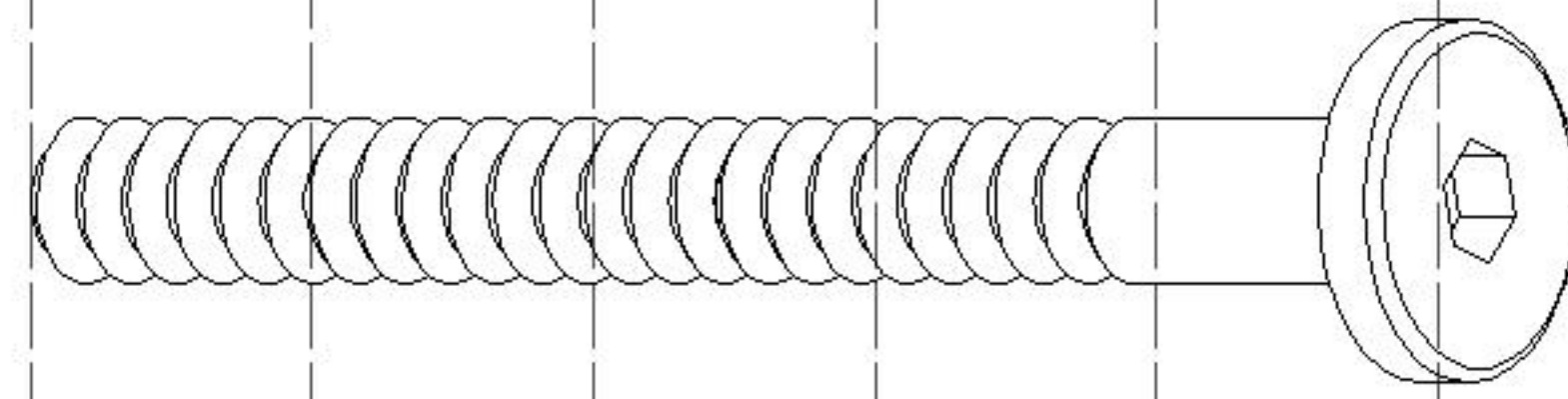
Components supplied. Please use this guide if you require replacement parts.

Ref	Dimensions	Visual	Qty	Ctn	Ref	Dimensions	Visual	Qty	Ctn
1	100 x 79.5cm		1	1	4	140.5 x 83.5cm		2	1
2	79.5 x 72.5cm		1	1	5	140.5 x 73.5cm		1	1
3	79.5 x 27.5cm		1	1	6	79.5 x 8cm		1	1

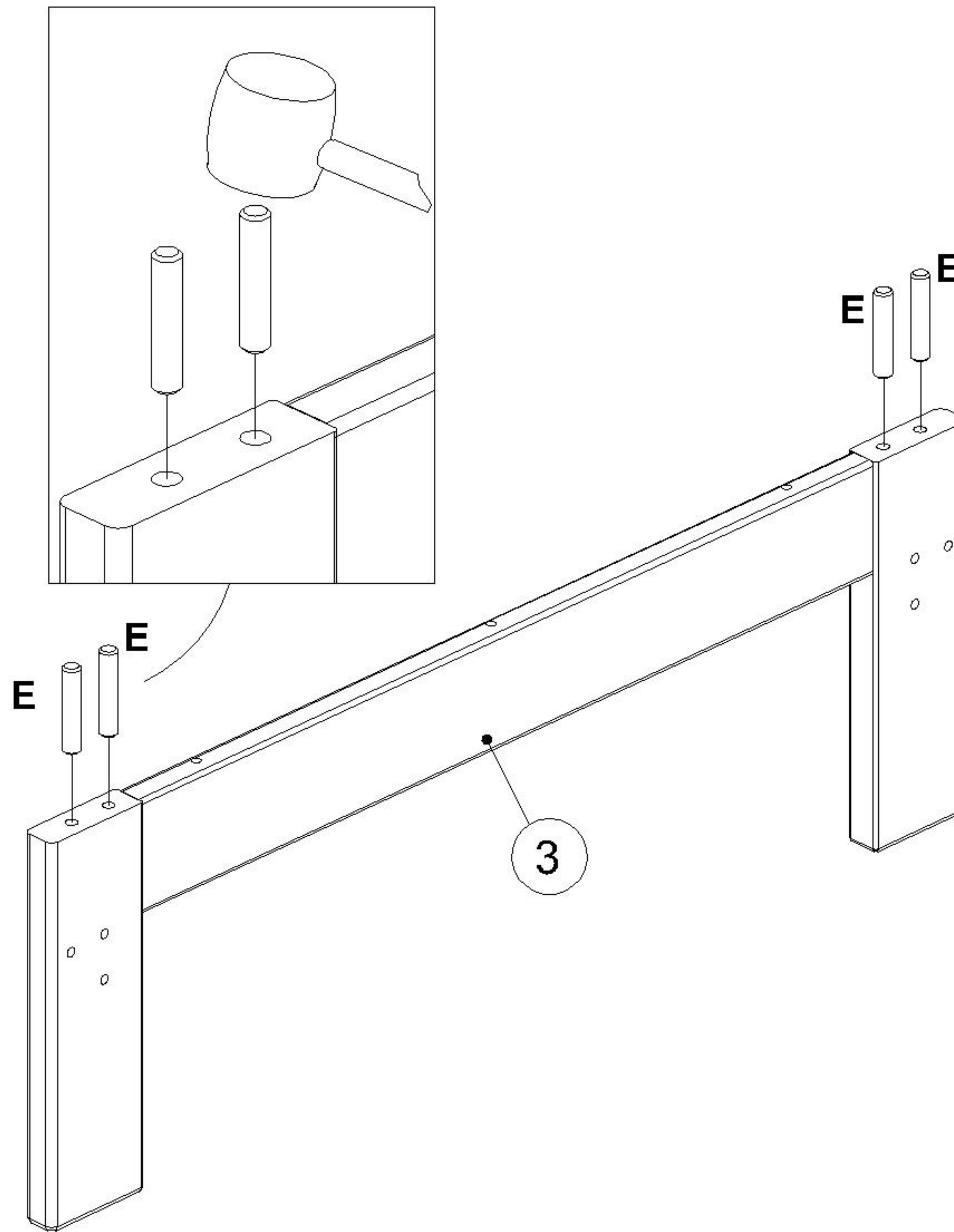
Fixtures and fittings  
supplied (actual size)

mm 10 20 30 40 50 60 70 80 90 100 110 120 130

Ref	Dimensions	Qty
A	6×55mm	16
B	6×13mm	8
C	6×28.5mm	3
D	13.5×10.5mm	3
E	8×40mm	4
F	D4mm	1



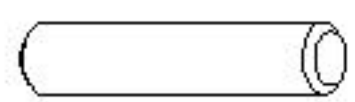
1



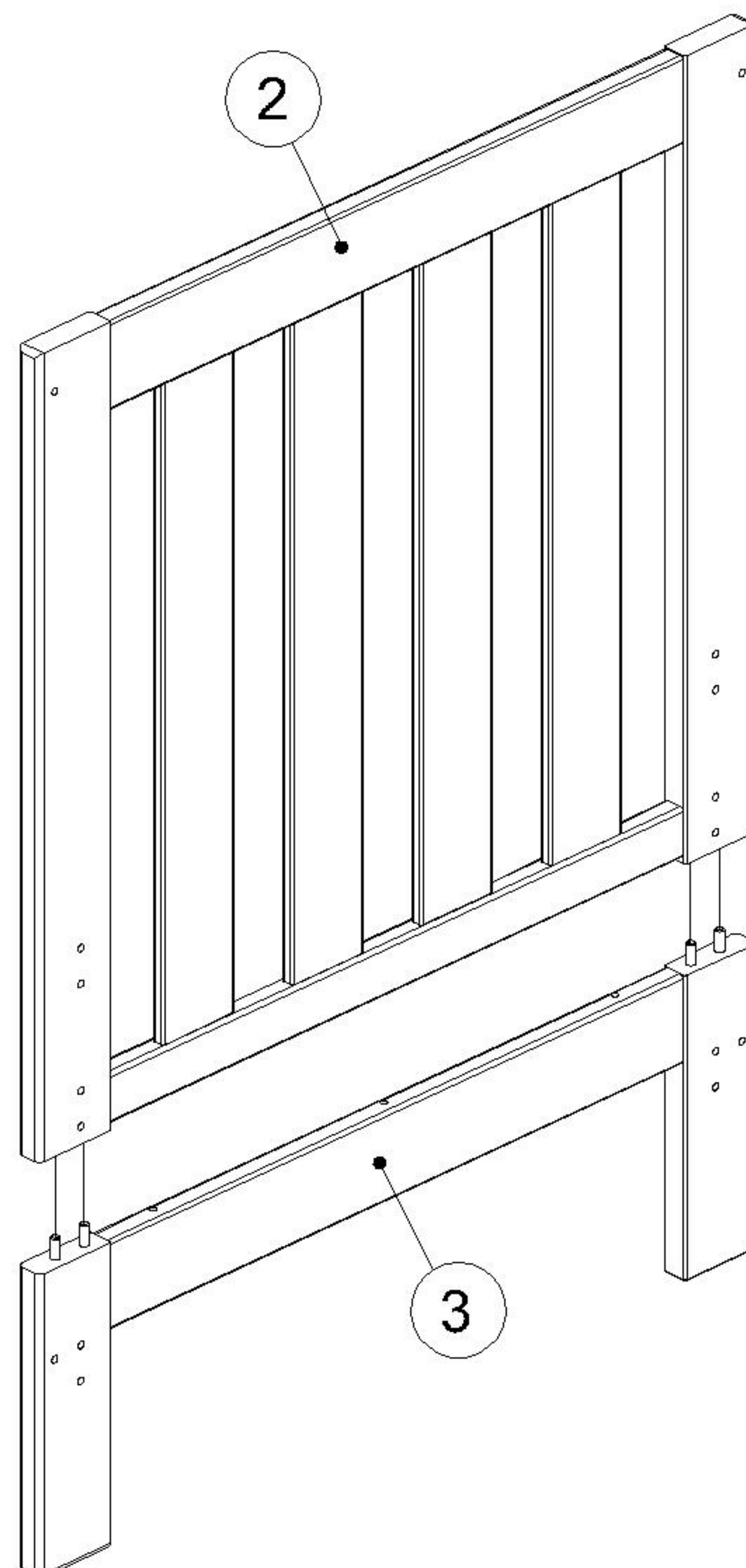
not supplied

E x4

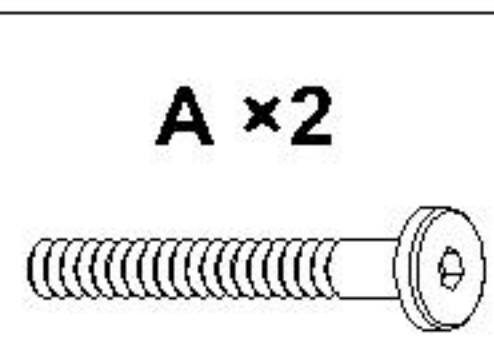
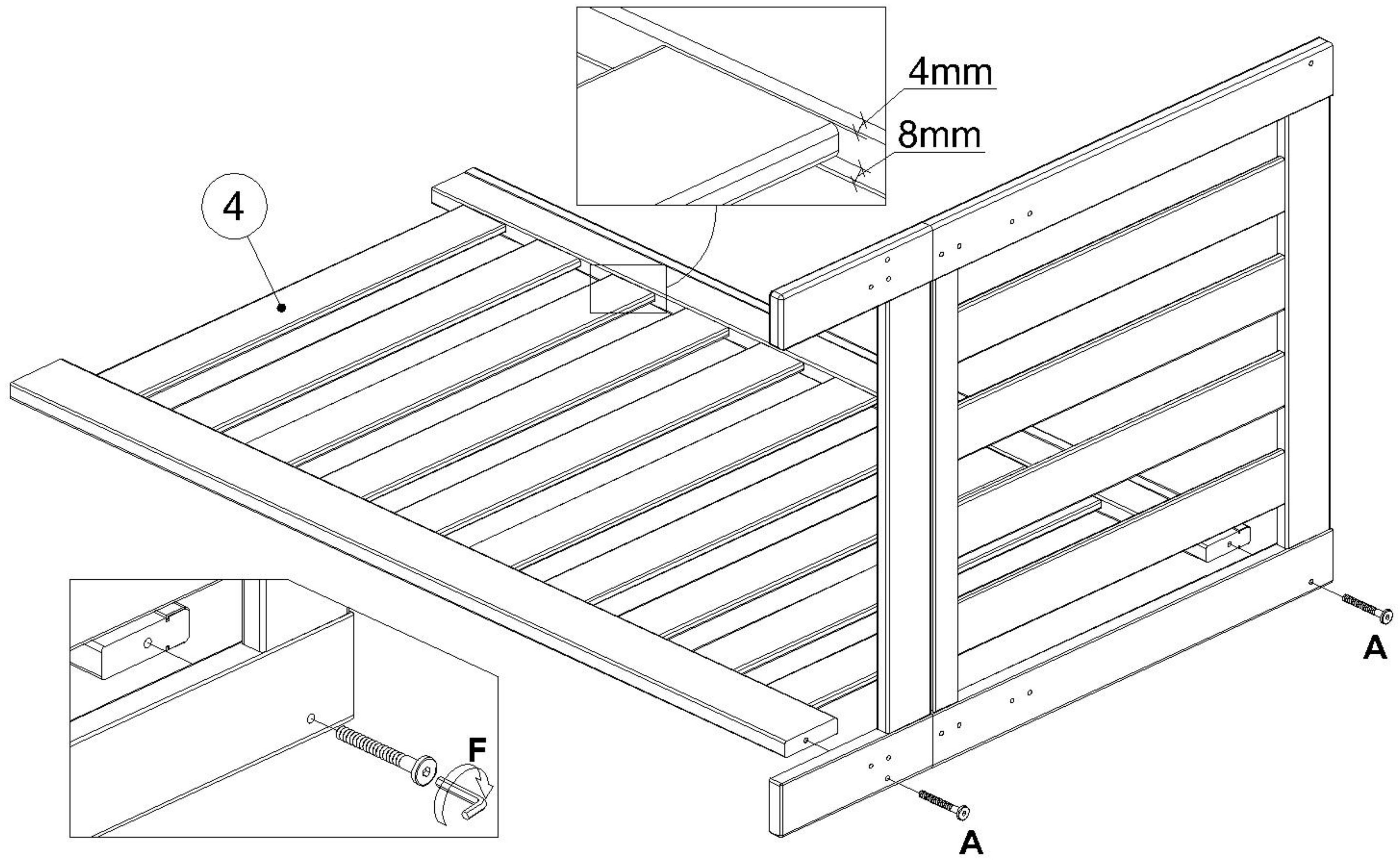
8x40mm



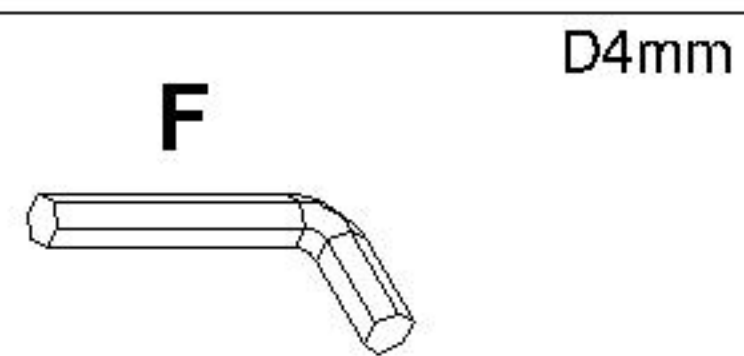
2



3

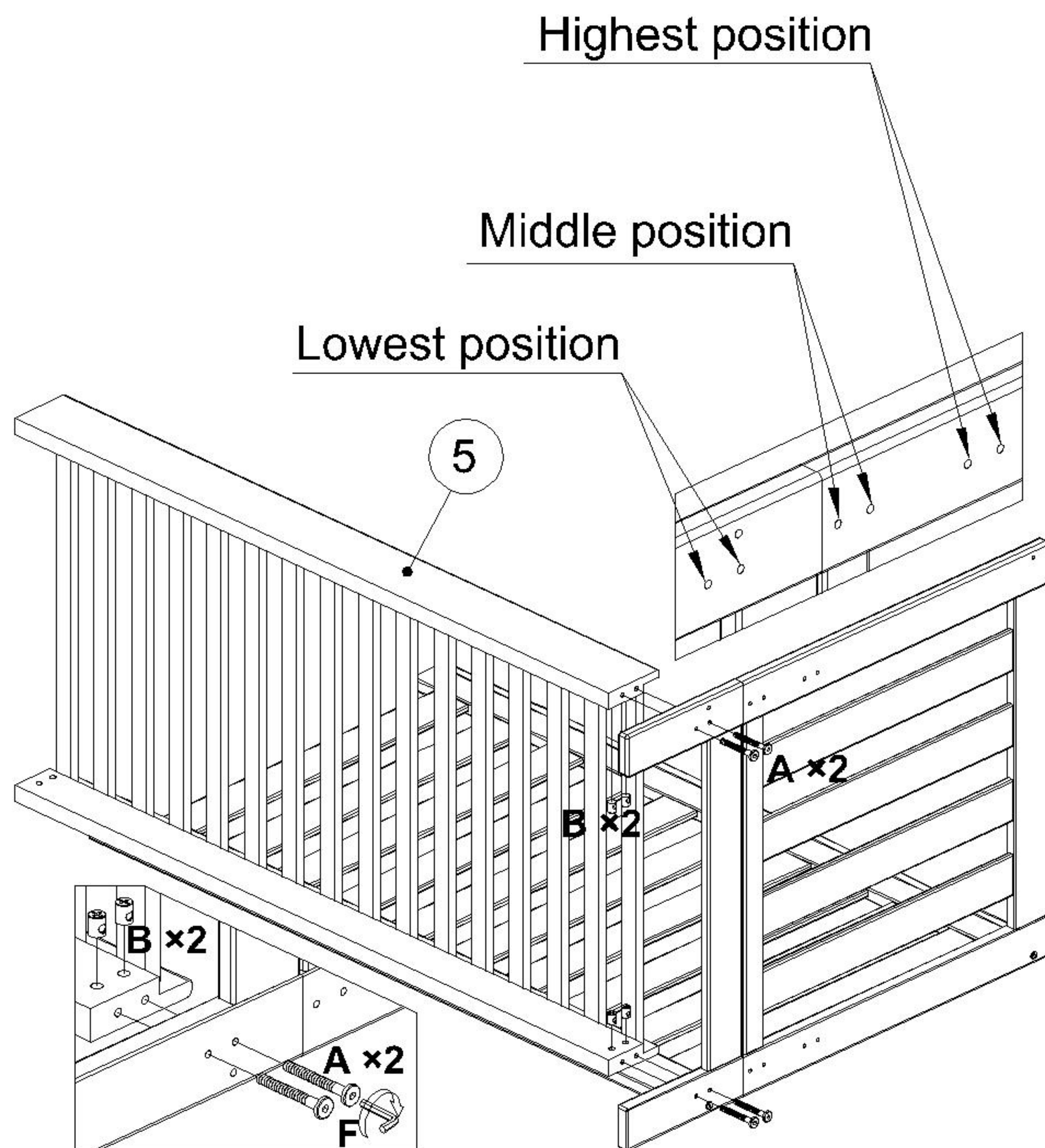


6x55mm



D4mm

4

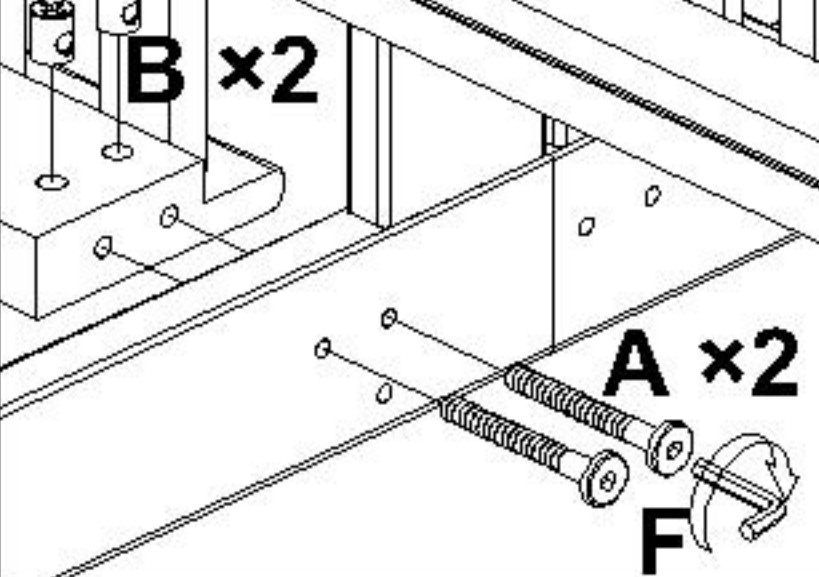
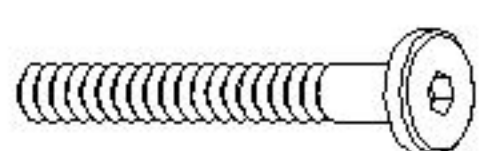


**B x4**

6x13mm

**A x4**

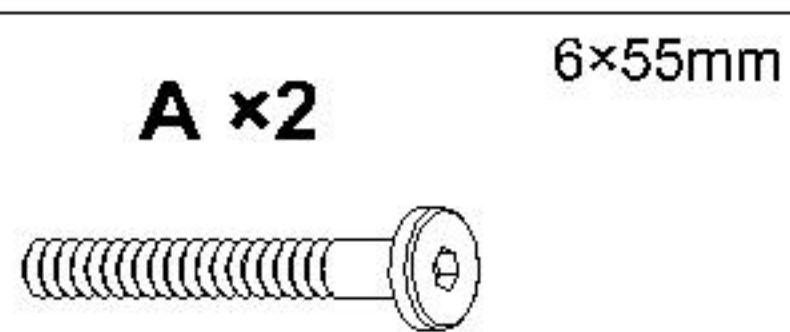
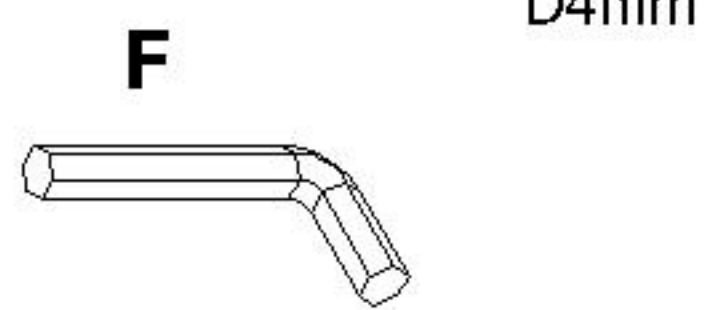
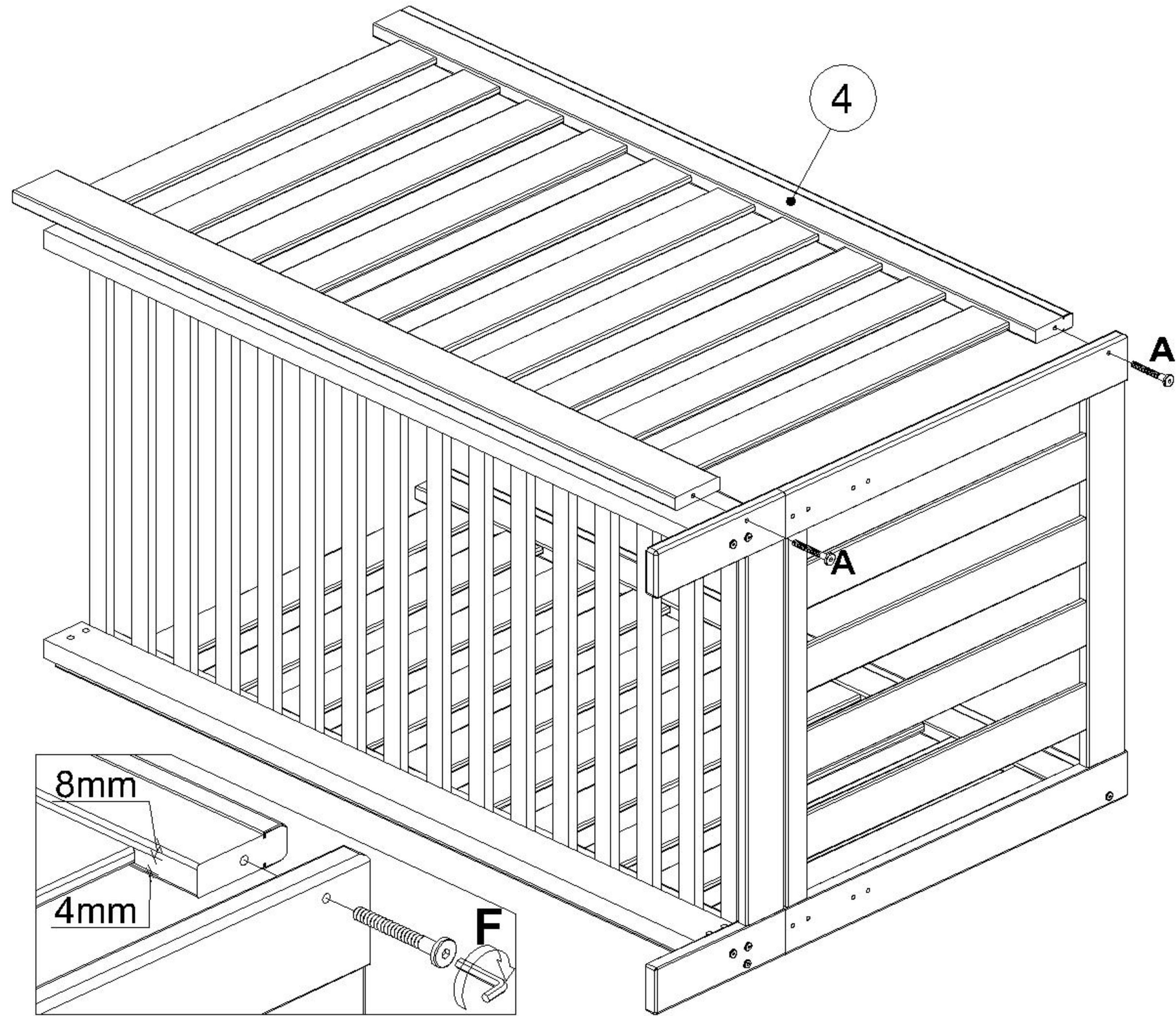
6x55mm



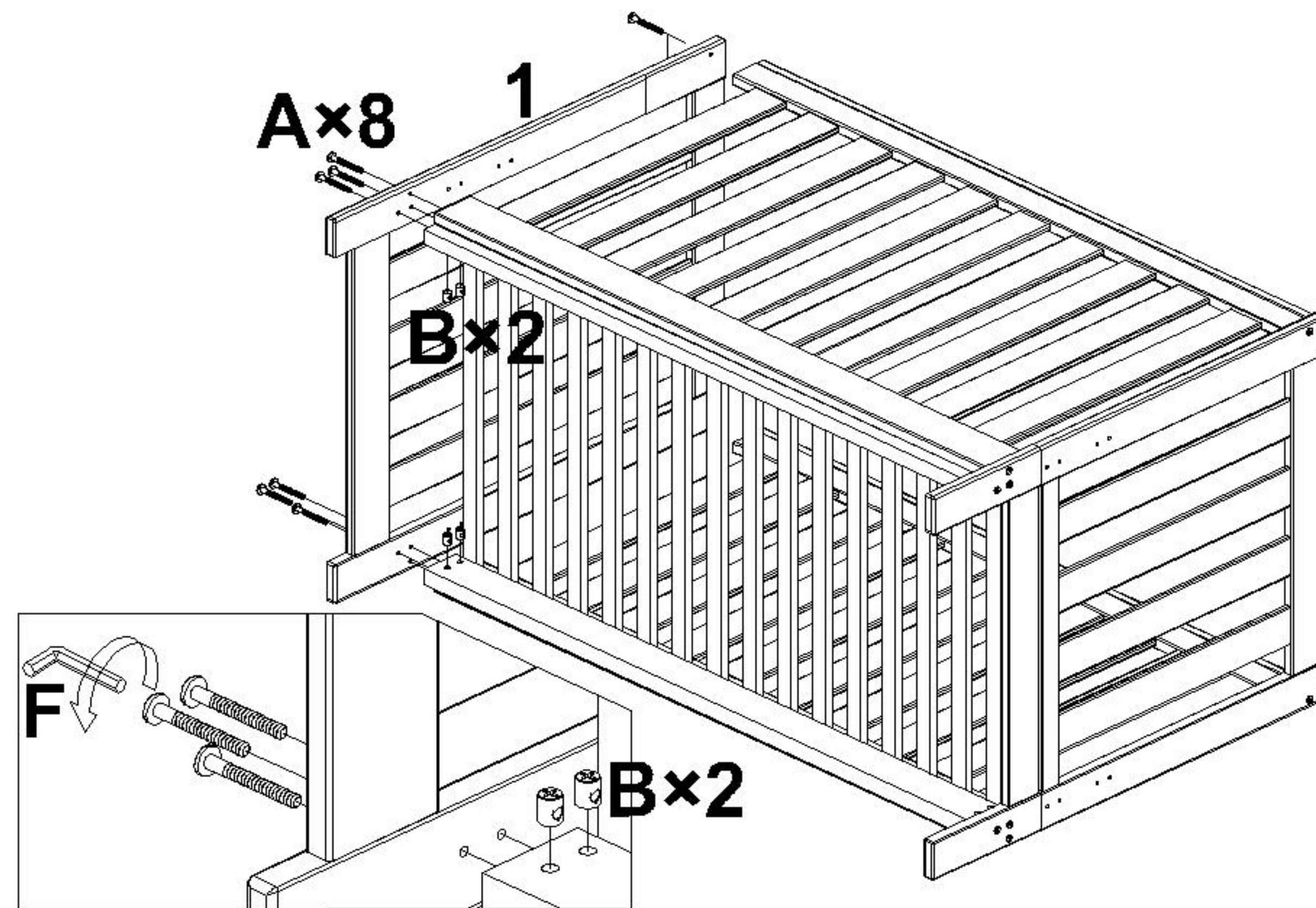
**F**

D4mm

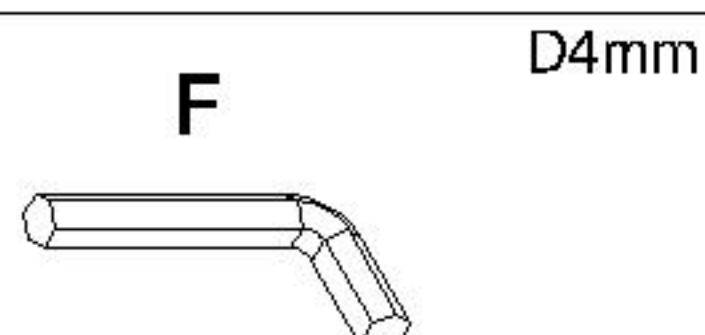
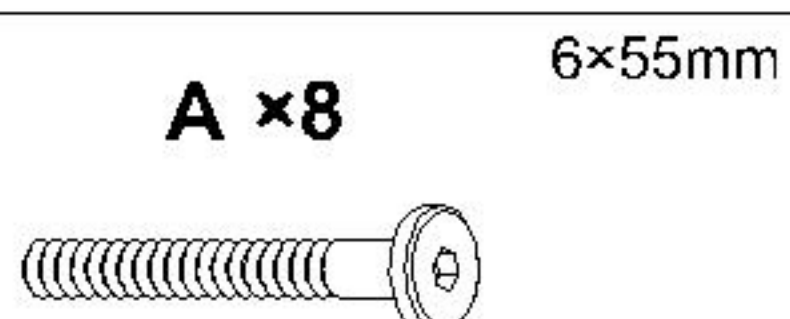
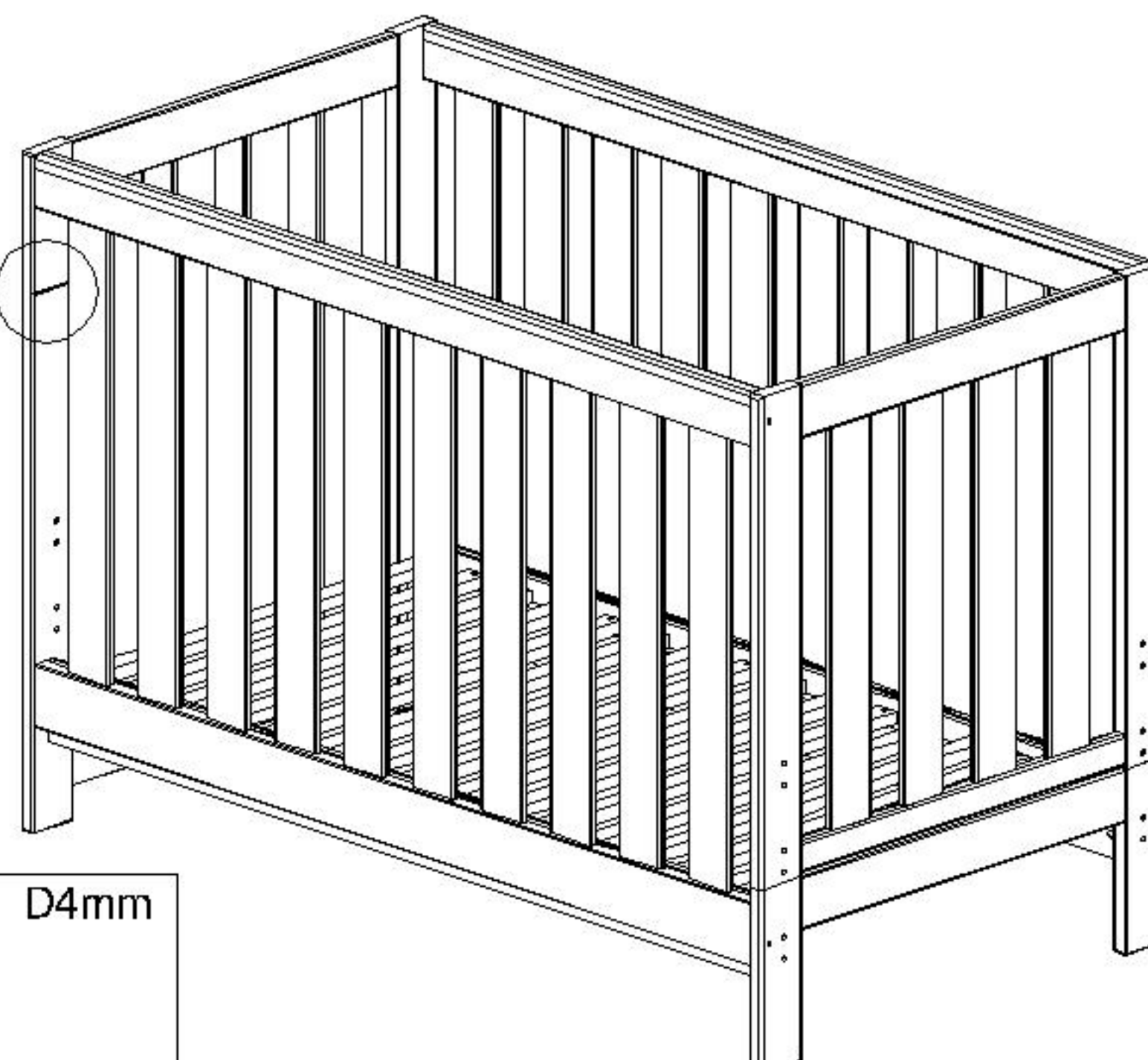
5



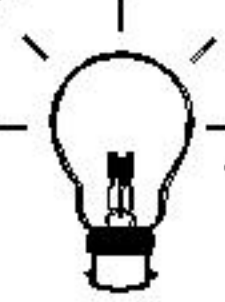
6

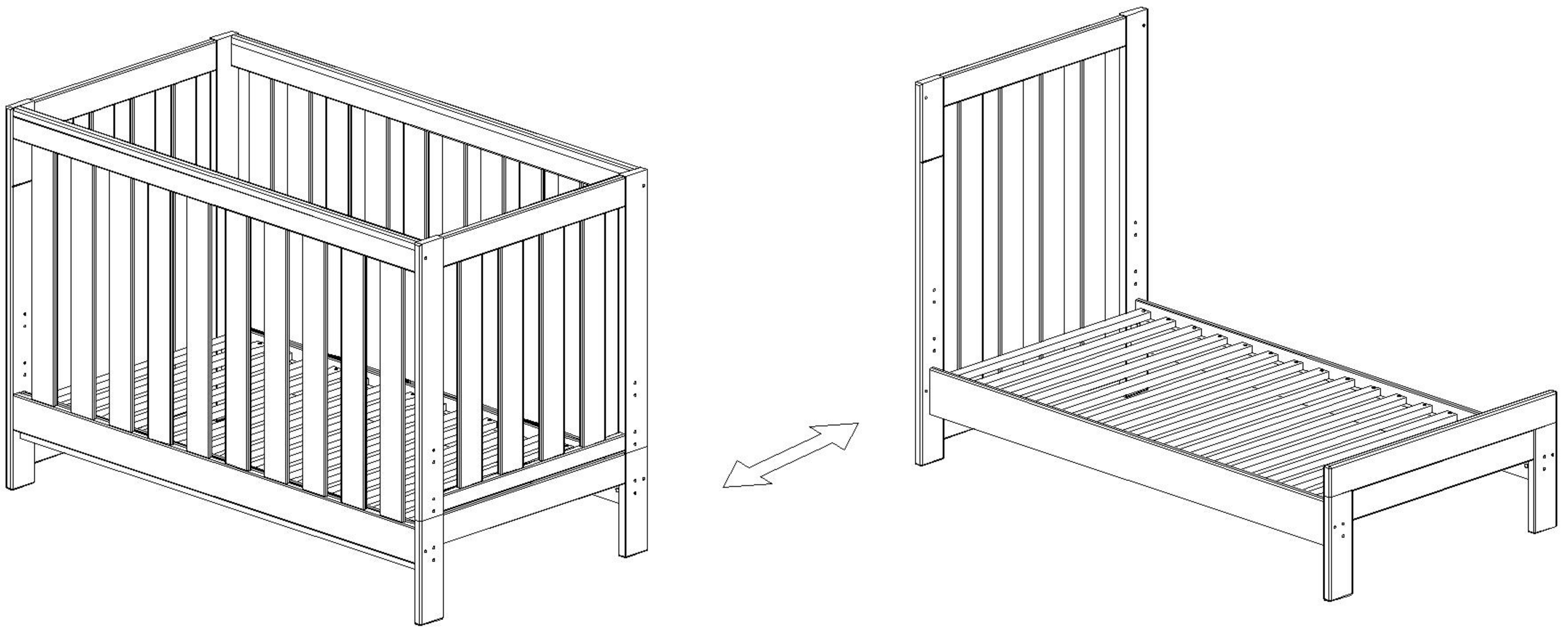


MATTRESS MARK

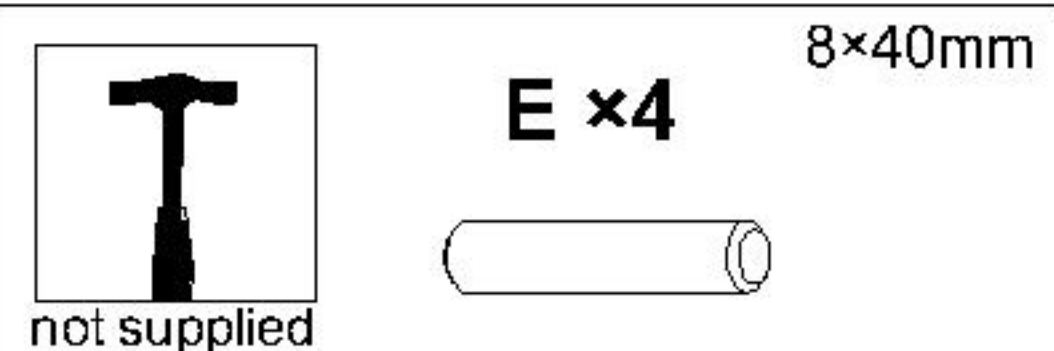
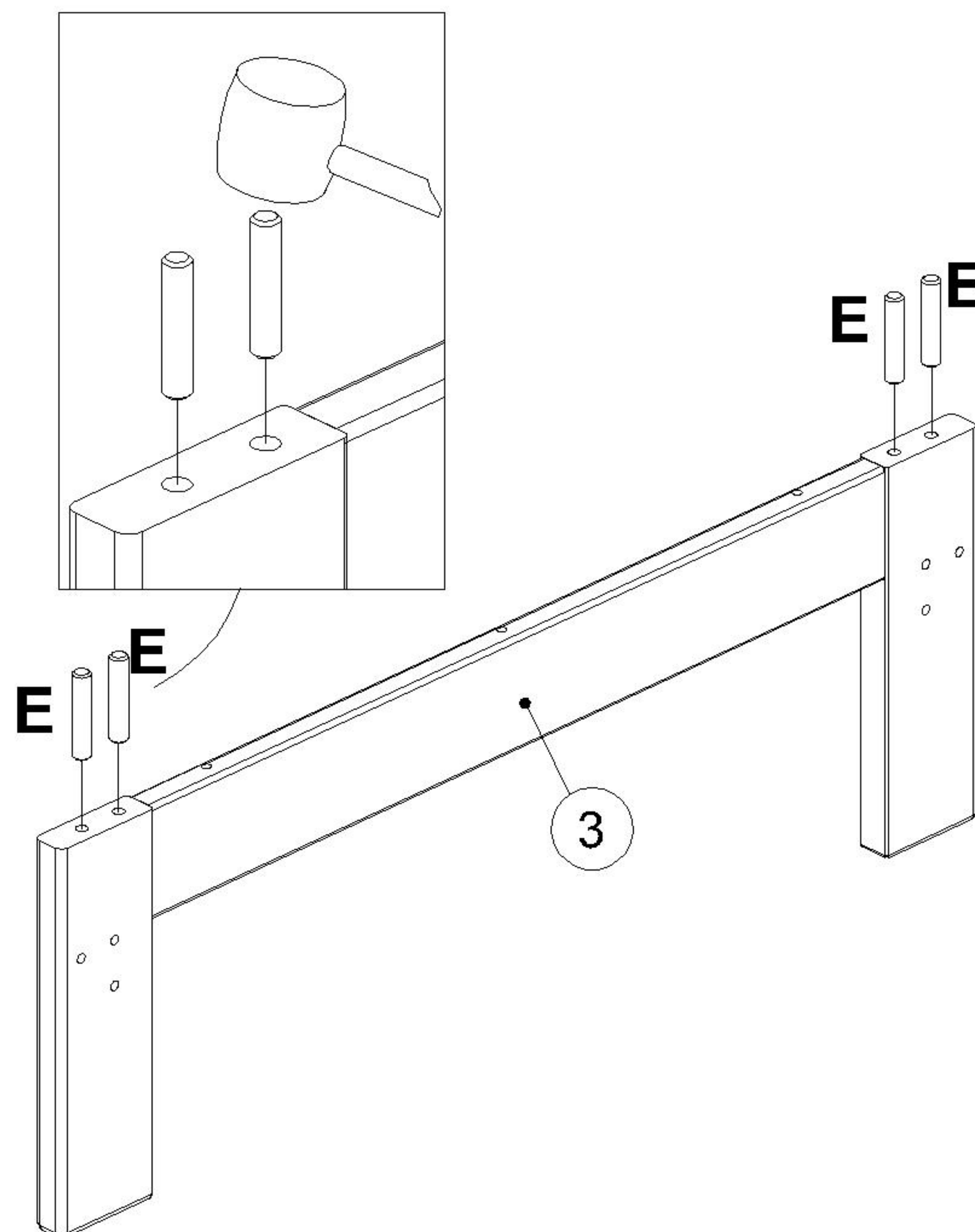


7

 To assemble bed please fully disassemble cot and build to the following instructions.



8

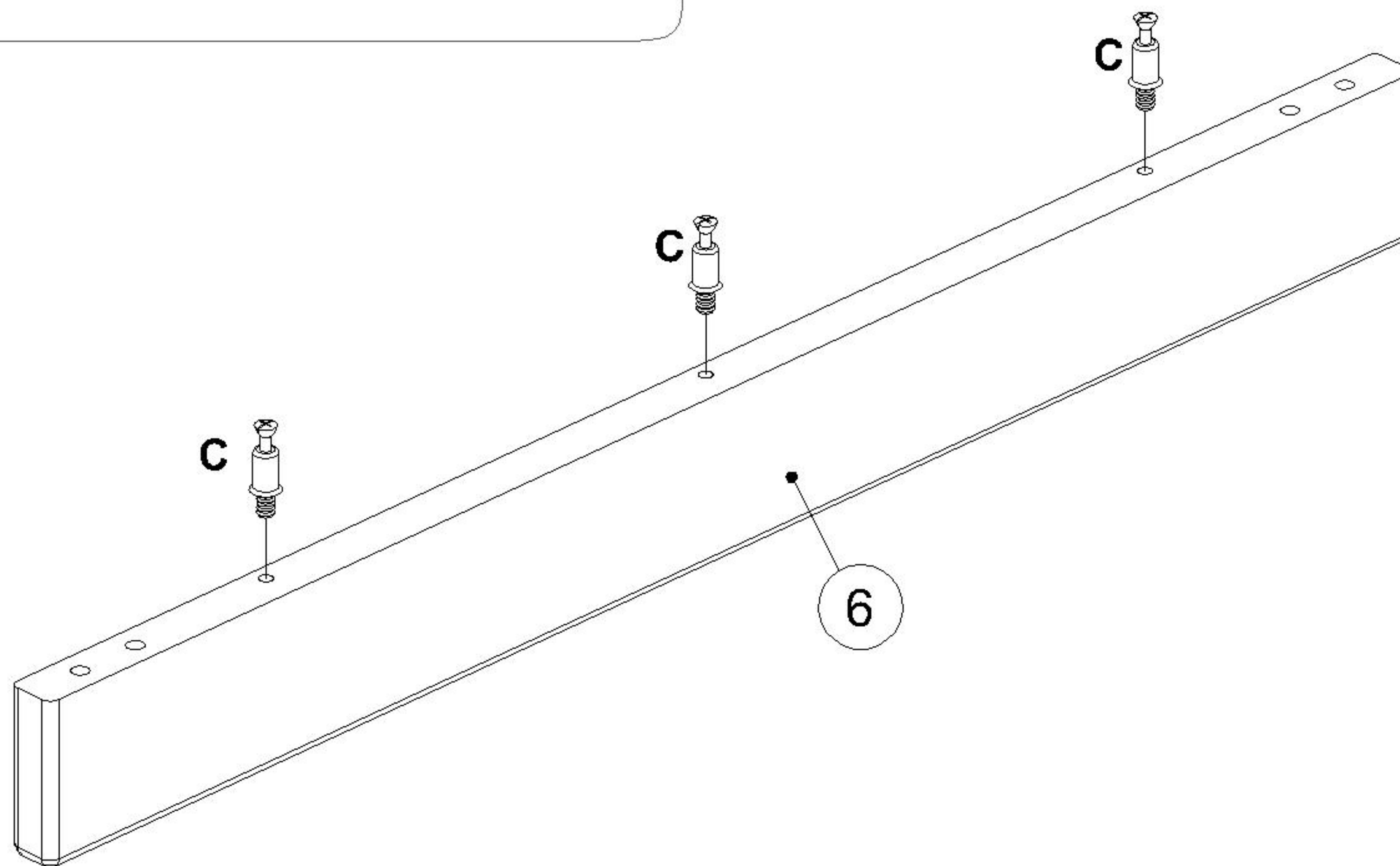
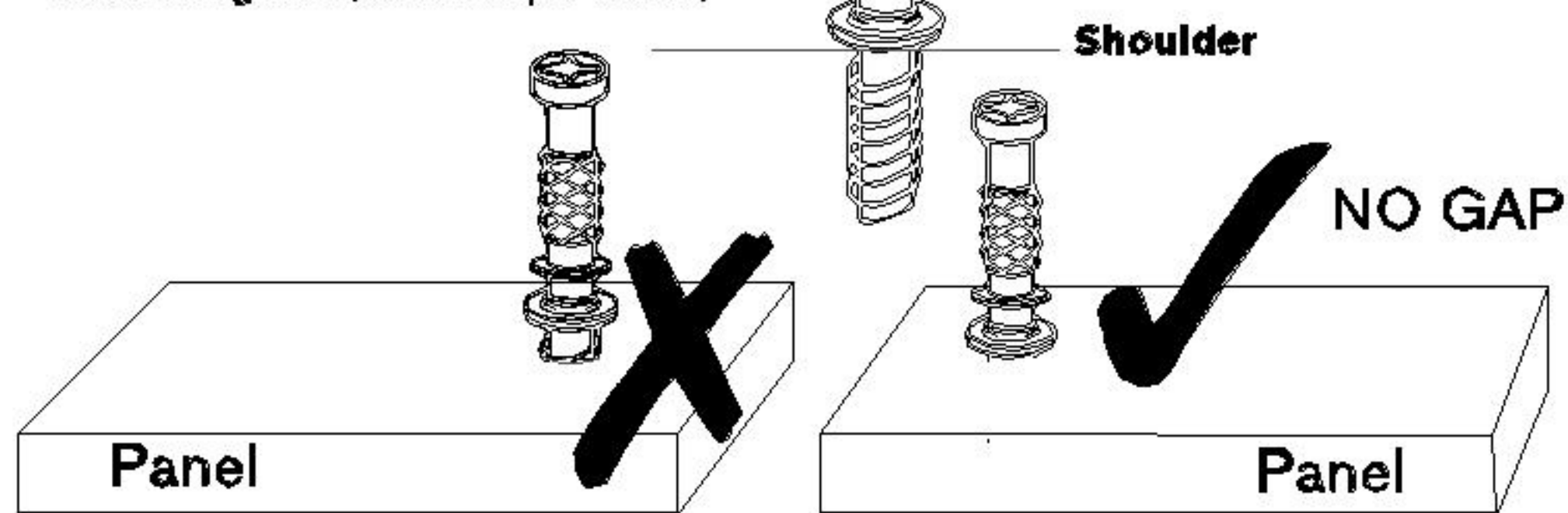




## 9

### CAM-PILLAR

Tighten until shoulder is flush with panel. Do not overtighten or undertighten (see example below)



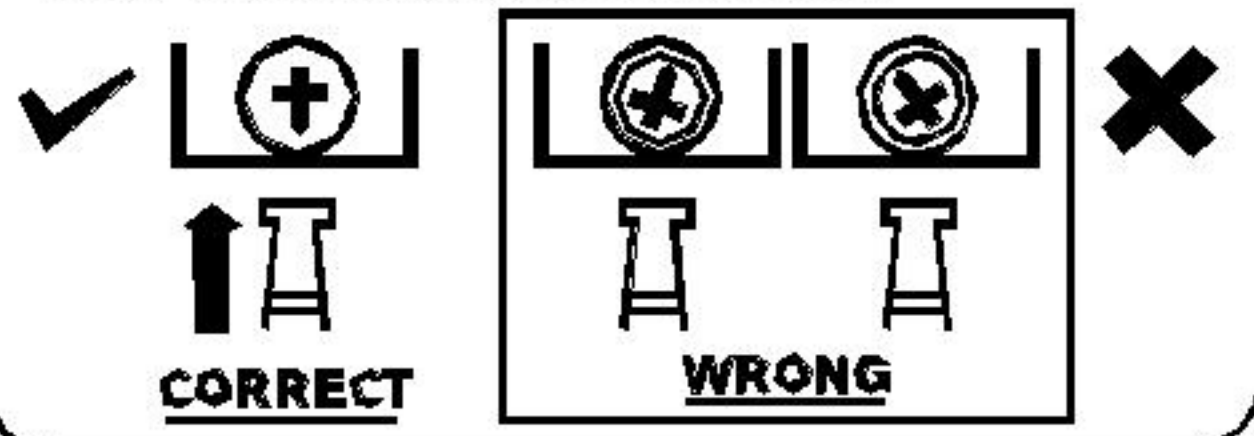
C x3

6x28.5mm

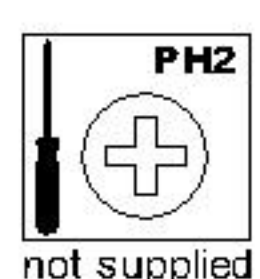
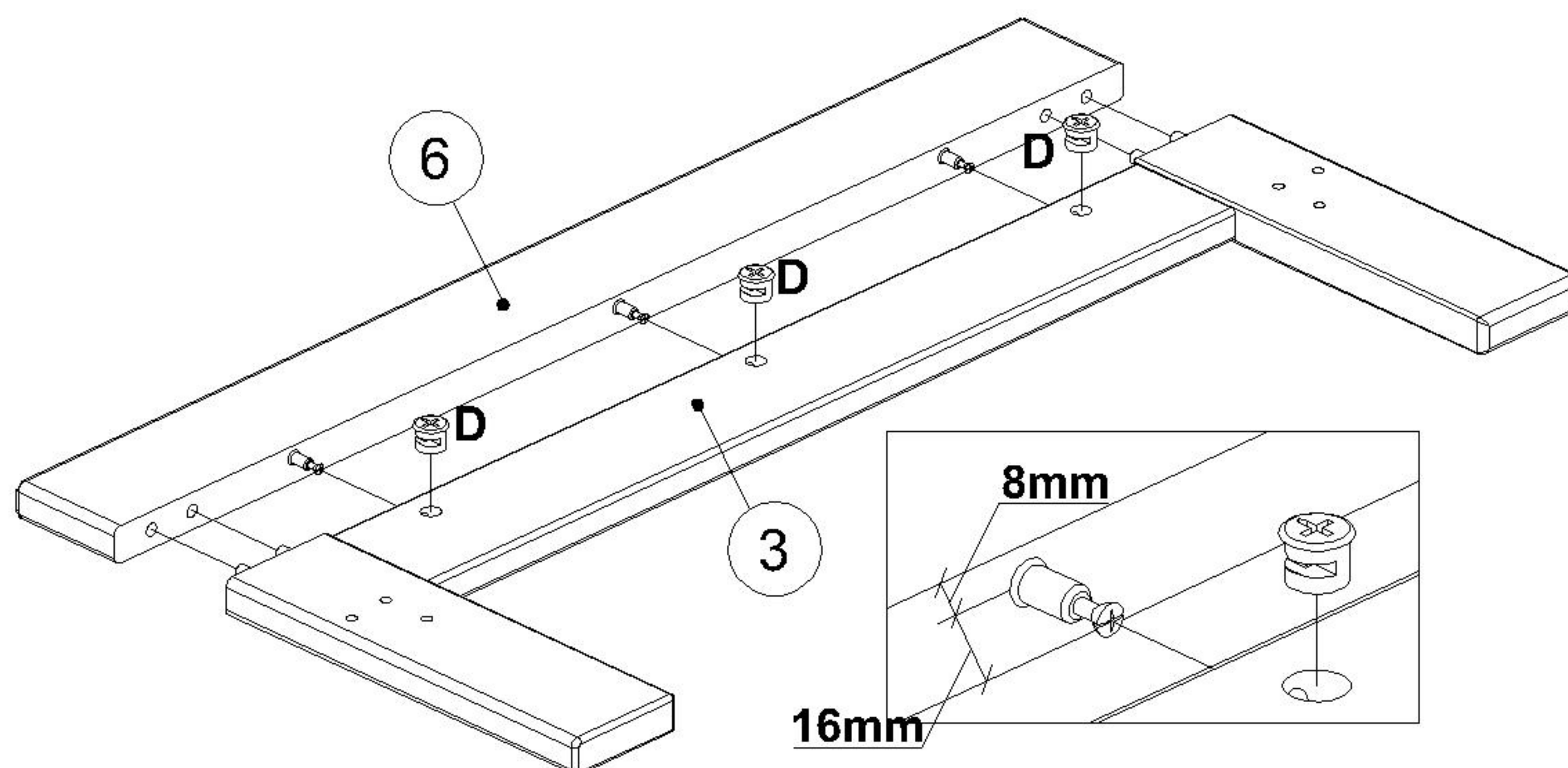
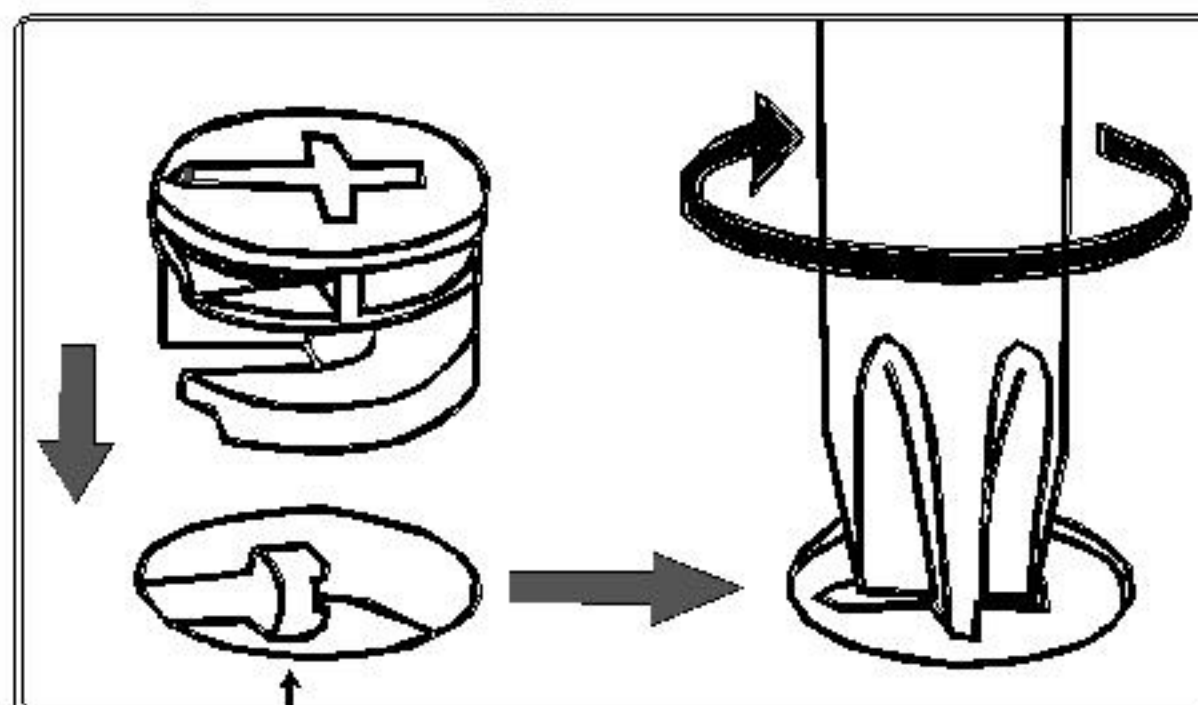


## 10

**WHEN FITTING CAMS**  
ENSURE STARTING POSITION IS CORRECT  
BEFORE YOU INSERT CONNECTING CAM-PILLAR  
TURN CLOCKWISE UNTIL SECURE



Align with long point of cross

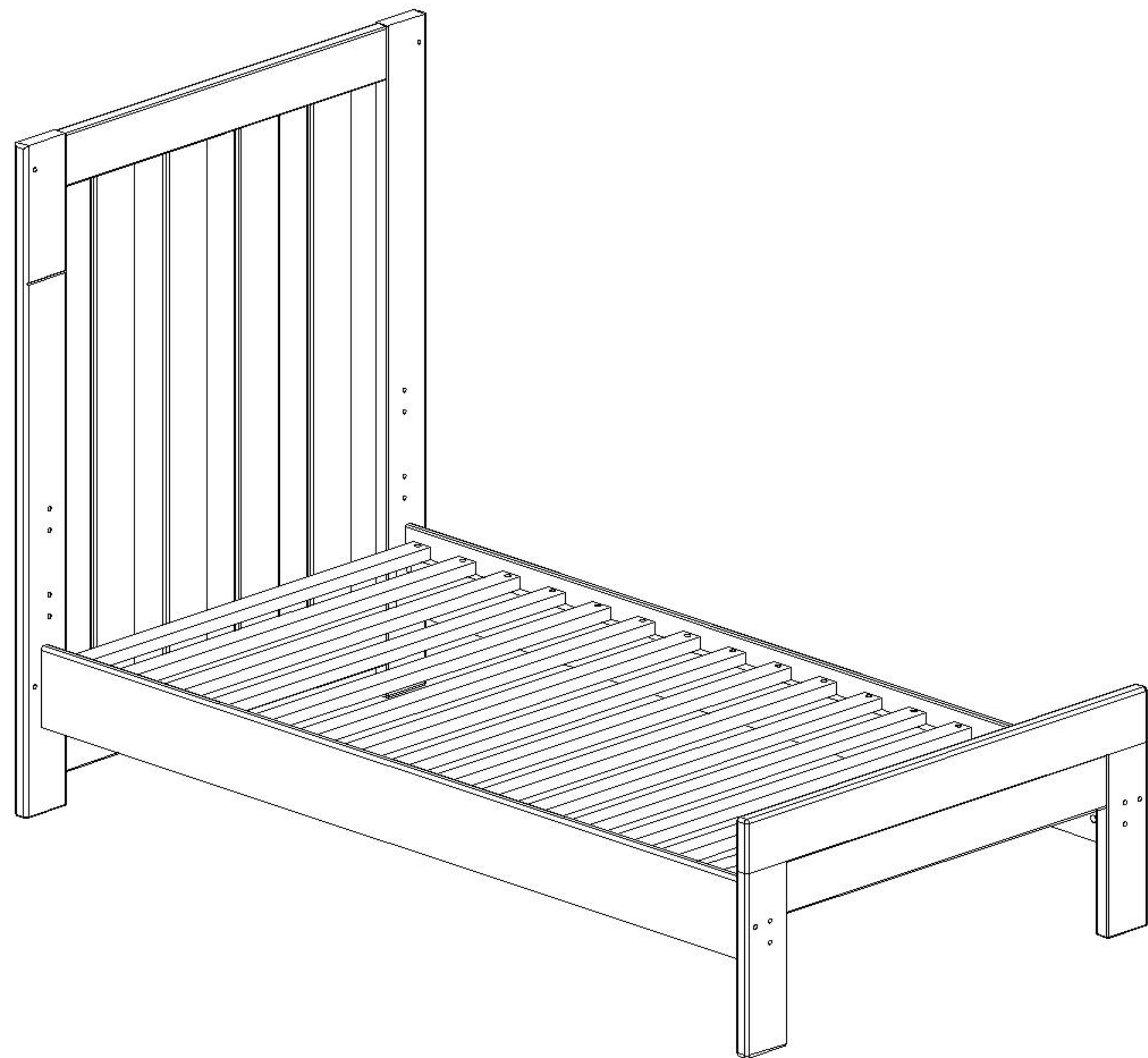
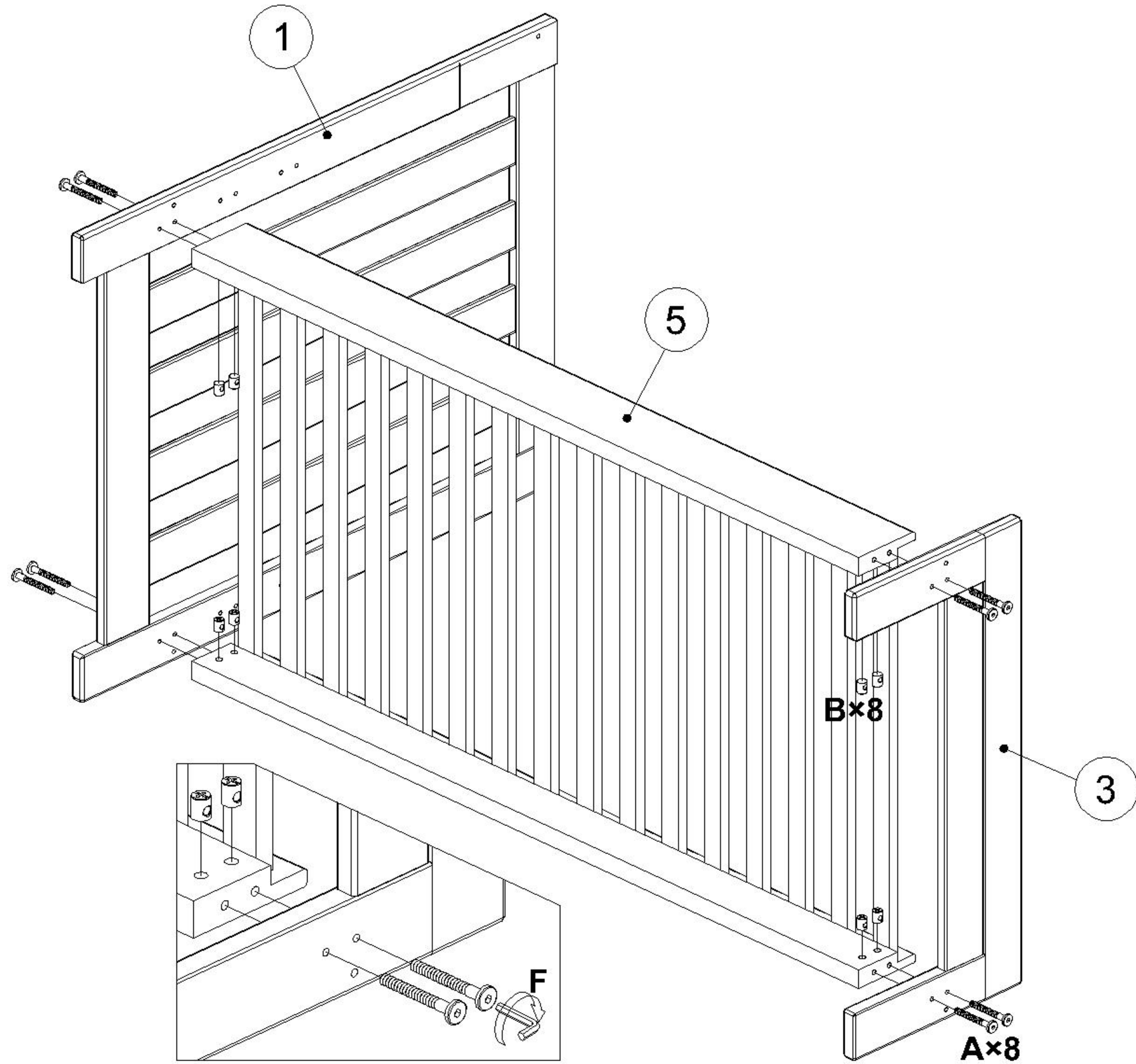





D x3

13.5x10.5mm



11



<b>A x8</b>	6x55mm
	
 <b>B x8</b>	6x13mm
	

<b>F</b>	D4mm
