

**next**

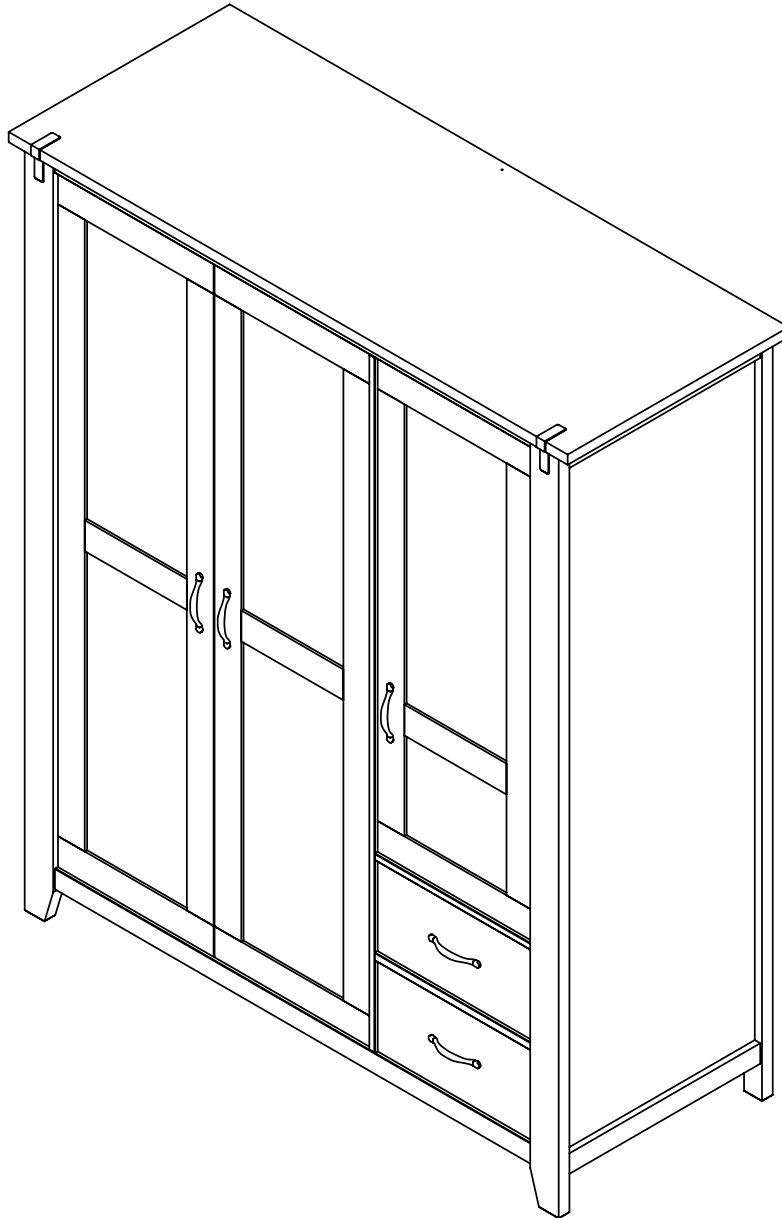
# CLARENDON TRIPLE ROBE

783580

Assembly instructions

**Actual product size**

H188 x W157 x D62cm



**Need Help?**

With: Assembly instructions  
Missing or damaged parts

**CALL: 0333 777 8999**

**IMPORTANT – RETAIN FOR FUTURE REFERENCE**

## BEFORE YOU START

### Warnings

We suggest you retain these instructions for future reference.

Keep fittings out of children's reach and keep children well away from the construction area.

This product should only be used on firm, level ground.

Please periodically check all fittings and re-tighten as necessary.

Please do not sit or stand on your furniture.

Avoid exposing the furniture to excessive heat or direct sunlight as this can cause deterioration of the colour.

Unwrap all packaging materials and place the components on top of the carton box or on a clean floor to protect it from damage.

### Do's

We suggest you spend a short time reading through this leaflet before you start.

When you are ready to start, make sure that you have the right tools and plenty of space.

Unwrap all packaging materials and place the components on a clean surface to protect it from damage.

We recommend that the packaging is used to protect the surfaces during assembly.

Carefully check that you have all the parts before beginning assembly

Due to the size of the product we recommend that it is assembled in the room intended for use.

Ensure the product is fully assembled as illustrated and all fixings are fully tightened before use.

Wipe occasionally with a soft cloth slightly dampened with water. Then buff with a dry clean soft cloth.

Wood will mellow and change colour over time, we recommend that ornaments and items placed on the surface are moved regularly for the first few months to prevent uneven mellowing.

### Don'ts

Do not drag or pull your furniture.

Do not use silicone based furniture polish. Silicone in furniture polishes can break down the finish.

Never allow any kind of liquid to remain on your furniture.

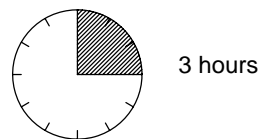
Absorption can cause wood to warp or finishes to de-laminate.

Do not place hot items (e.g. hot drinks) directly on to the wood surface. Please make sure you use a placement or coaster.

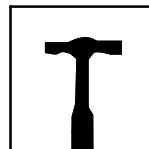
### Number of people required to assemble

Two persons are required to assemble this item.

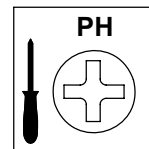
### Time to assemble



### Tools required



not supplied



not supplied

### Missing parts

If you are missing any fixtures and fittings for your product please contact our customer service team on **0333 777 8999** and they will be happy to arrange for a replacement to be sent to you free of charge.

### Home service technicians

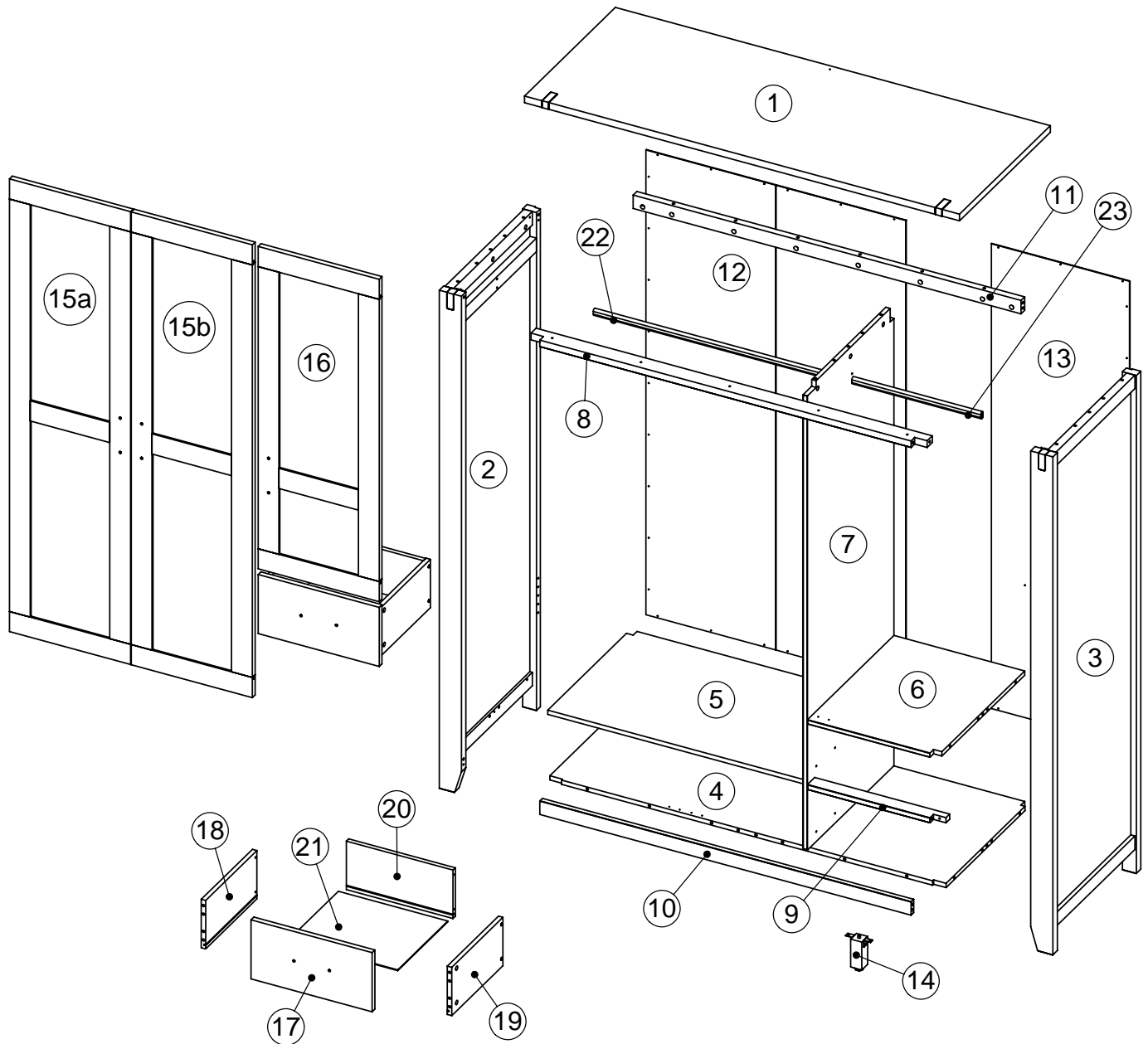
If you have a fault with your product please contact our customer service team on **0333 777 8999**. If you have had the product for 28 days or less you may be offered a replacement, refund or for a fully trained home service technician to visit your home to assess the fault and repair the product where possible. If you have had the product for more than 28 days we will send an independant home service technician to review and repair the product where possible and recommend further action.

### You can write to us at

Home Customer Services  
Next Retail Ltd,  
Desford Road,  
Leicester,  
LE19 4AT

To View our full furniture range please visit [www.next.co.uk](http://www.next.co.uk)

## GETTING TO KNOW YOUR PRODUCT

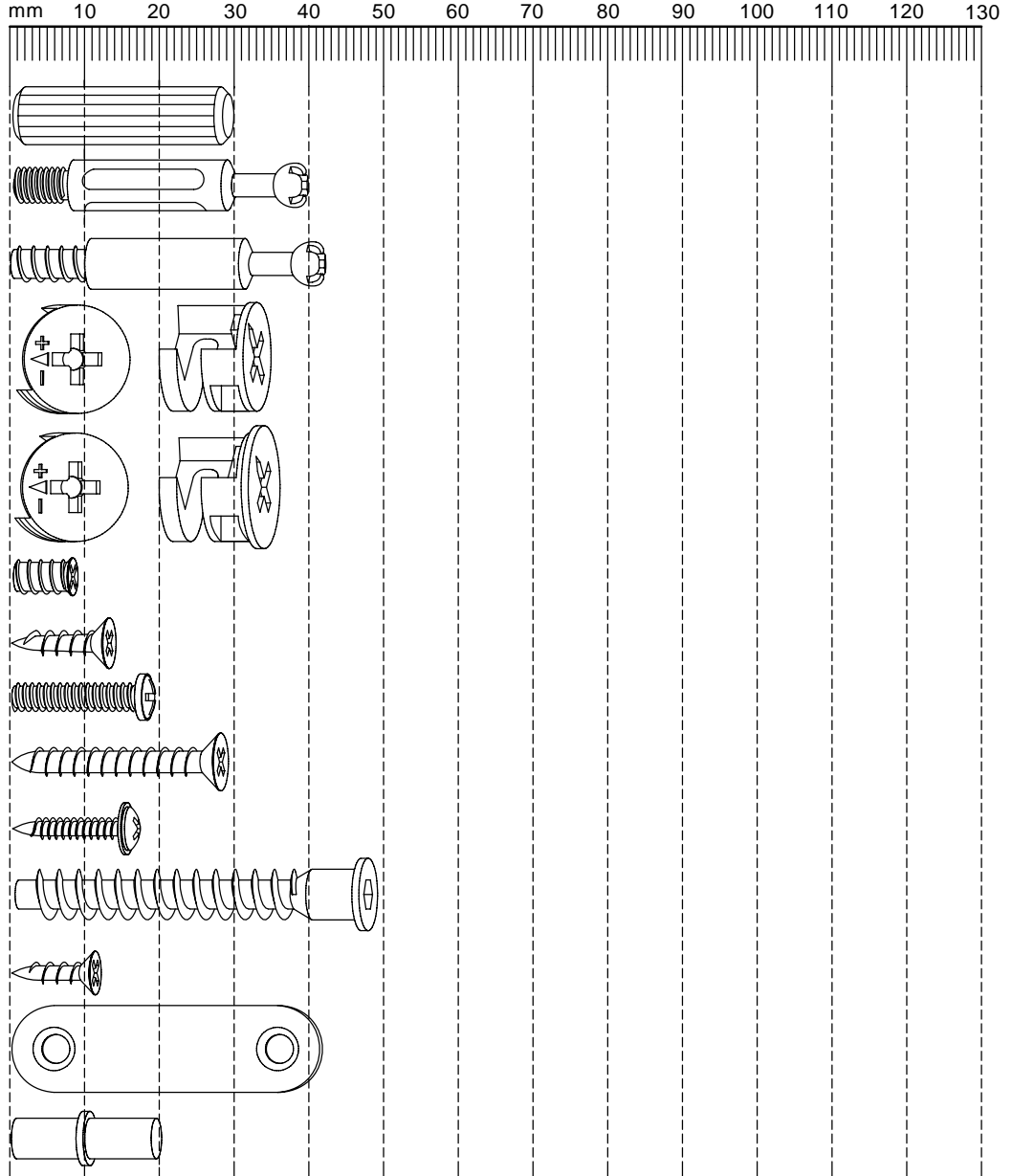


Components supplied. Please use this guide if you require replacement parts.

Ref	Dimensions	Visual	Qty	Ctn	Ref	Dimensions	Visual	Qty	Ctn
1	157 x 62cm		1	3	14	12 x 4cm		1	2
2	186 x 60cm		1	2	15	169 x 44cm		2	4
3	123 x 37cm		1	2	16	120 x 44cm		1	4
4	143 x 57cm		1	1	17	44 x 22cm		2	4
5	93 x 56cm		1	1	18	35 x 18cm		2	3
6	59 x 47cm		1	1	19	35 x 18cm		2	3
7	172 x 59cm		1	1	20	38 x 18cm		2	3
8	143 x 6cm		1	3	21	39 x 34cm		2	3
9	49 x 5cm		1	3	22	91 x 2cm		1	3
10	134 x 5cm		1	3	22	47 x 2cm		1	3
11	134 x 5cm		1	3					
12	173 x 47cm		2	2					
13	173 x 50cm		1	2					

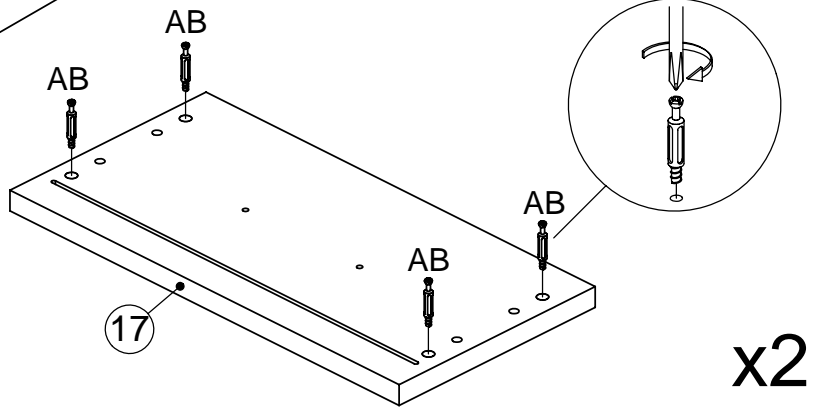
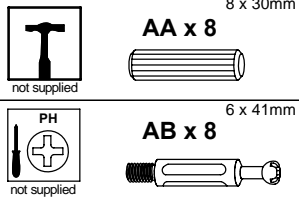
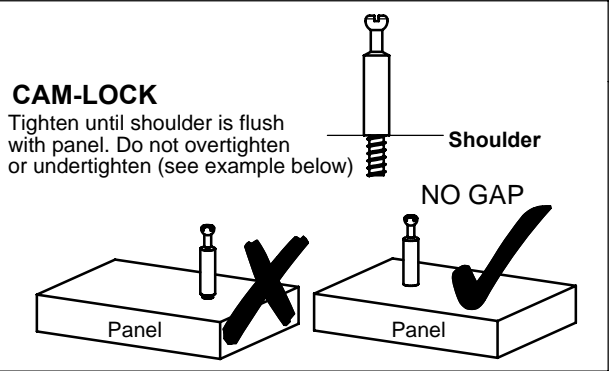
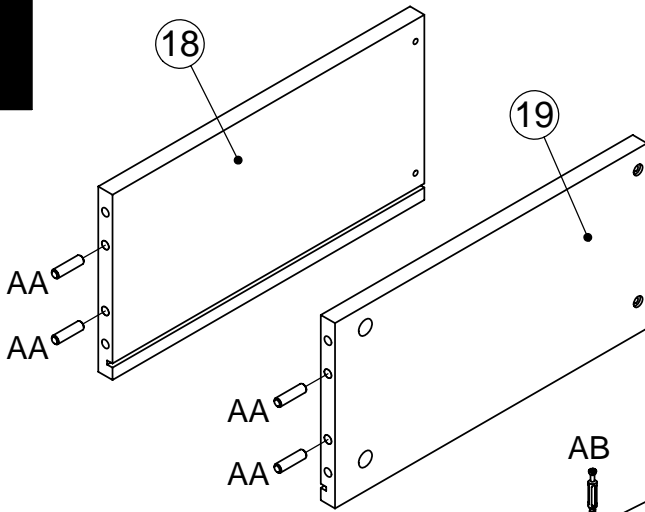
Fixtures and fittings supplied (actual size)

Ref	Dimensions	Qty
AA	8 x 30mm	33
AB	6 x 41mm	27
AC	6 x 44mm	22
AD	15 x 12mm	41
AE	15 x 12mm	8
AF	6 x 8mm	12
AG	3.5 x 14mm	44
AH	4 x 18mm	10
AJ	4 x 30mm	14
AK	3 x 16mm	55
AL	7 x 50mm	3
AM	3 x 12mm	24
AN	44 x 12mm	24
AP	5 x 20mm	4

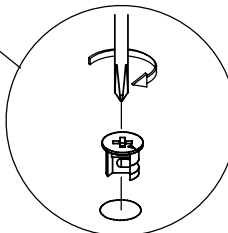
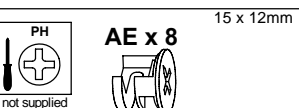
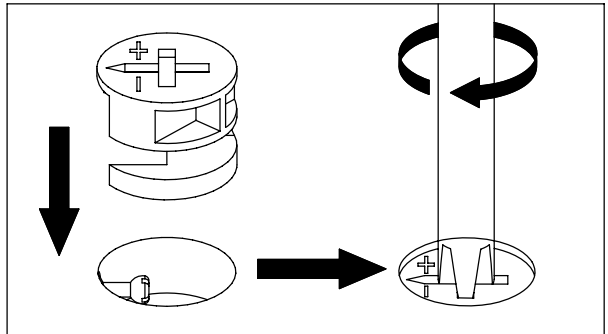
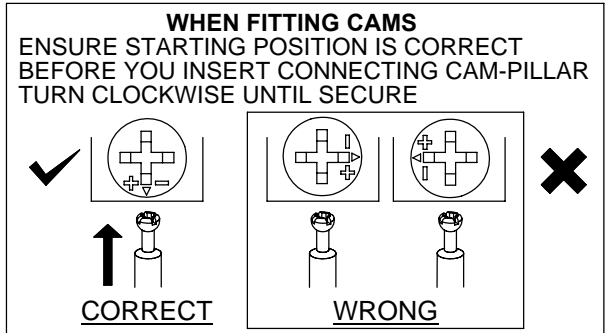
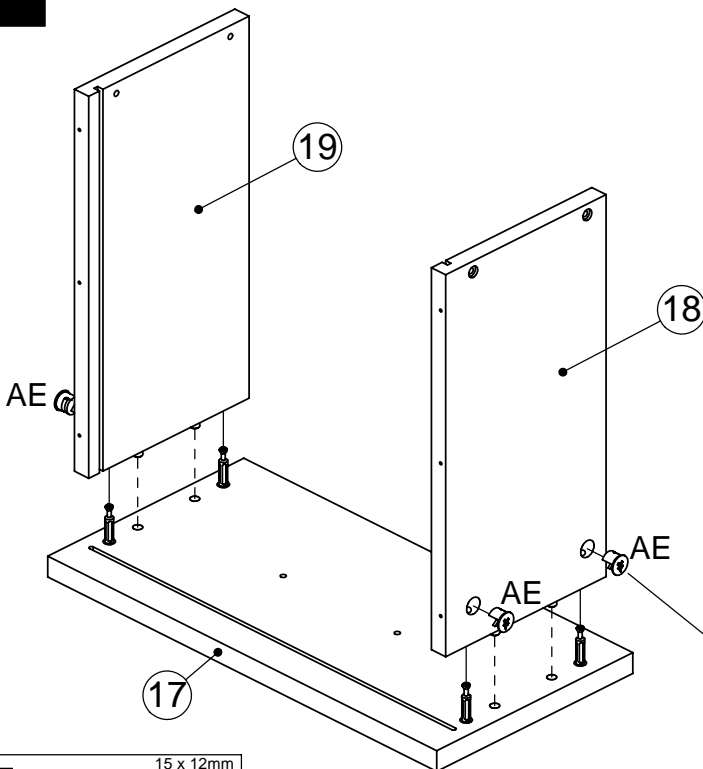




1

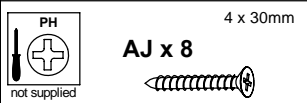
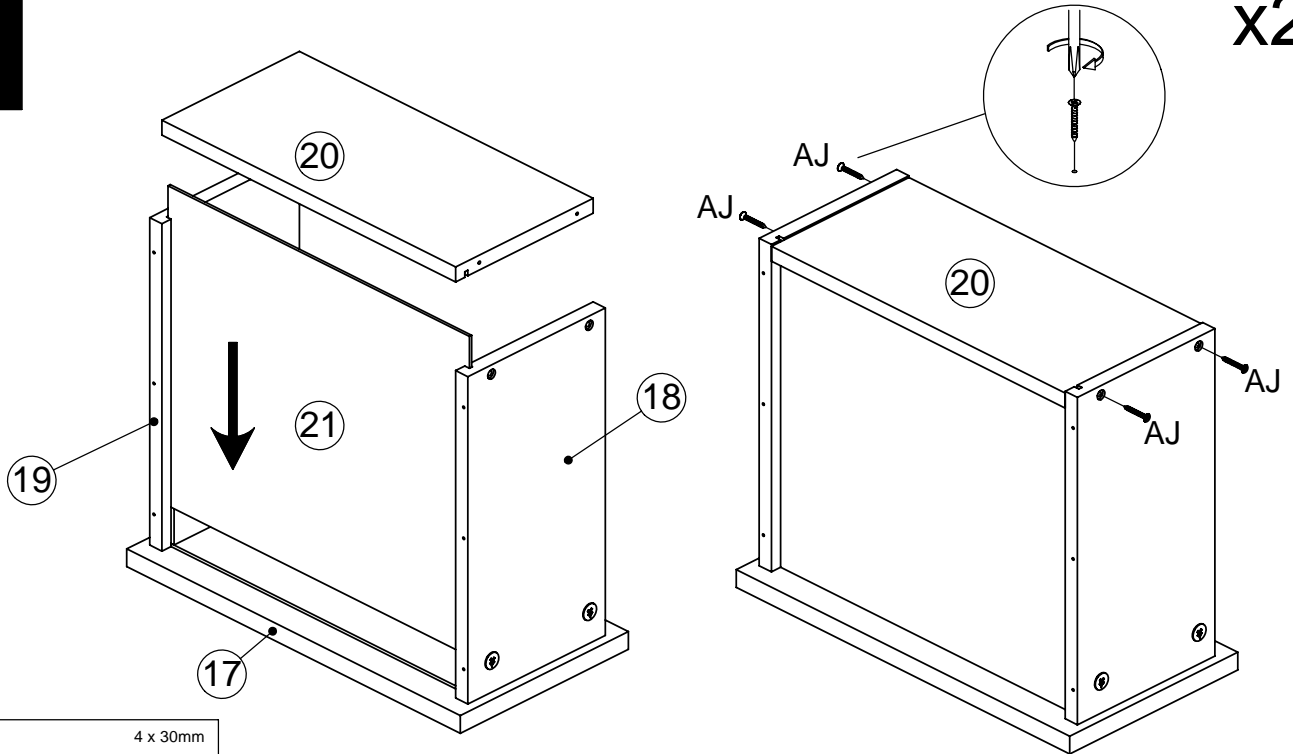


2



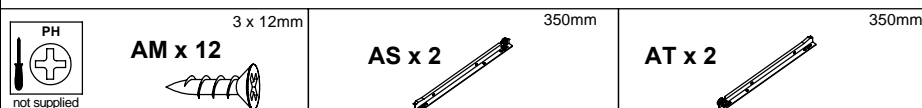
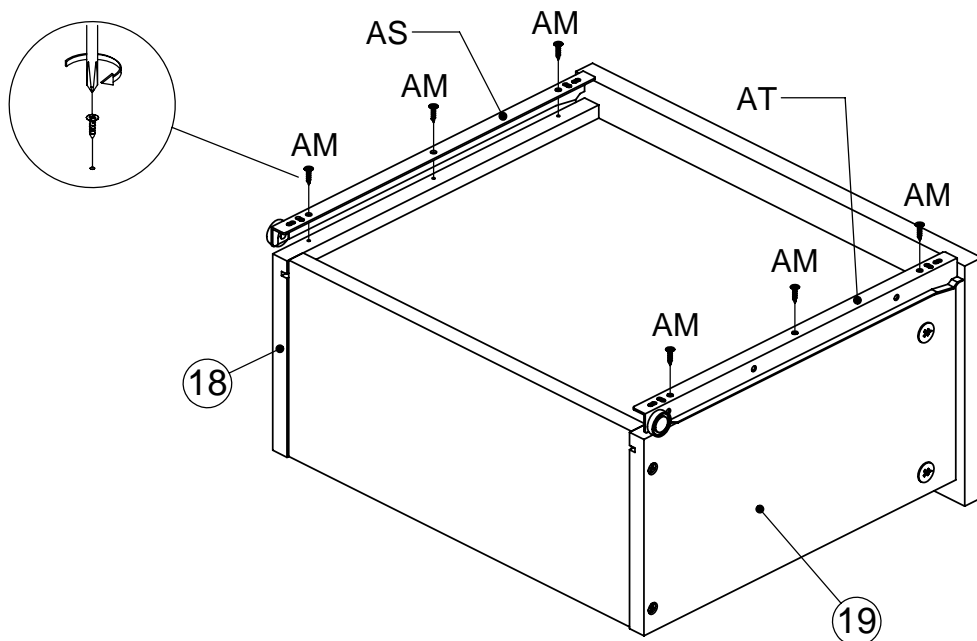
3

x2



4

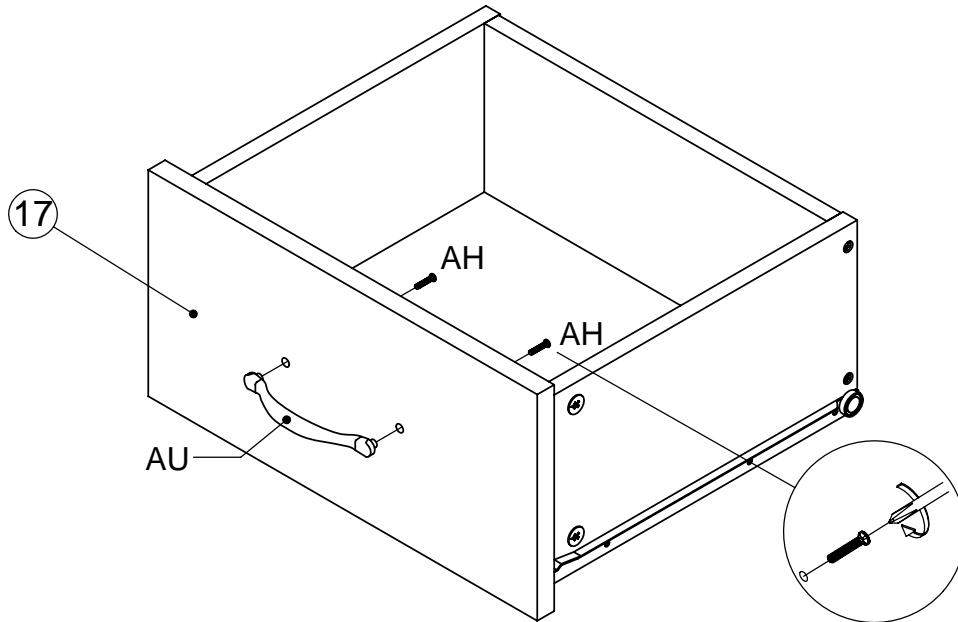
x2





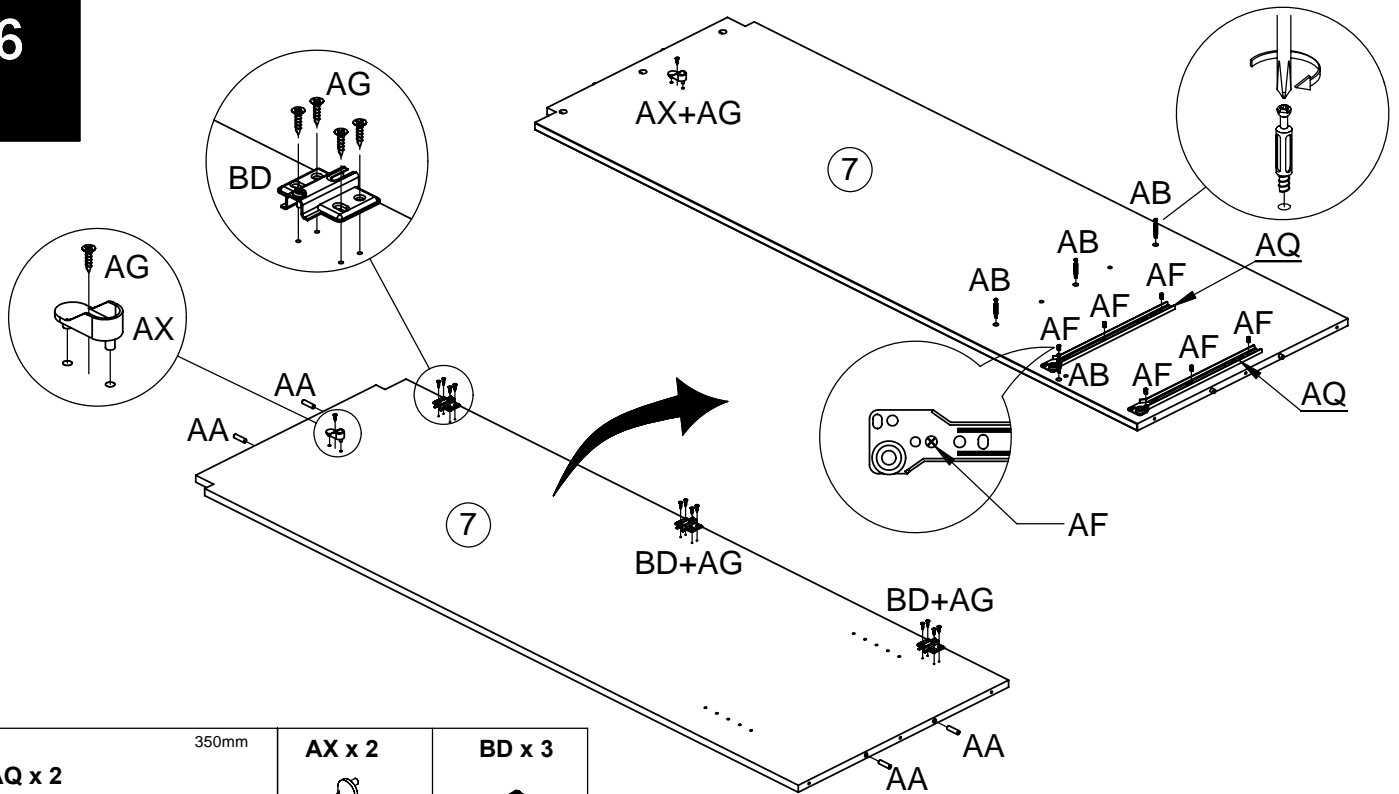
5

x2



PH not supplied	4 x 18mm	
	AH x 4	AU x 2

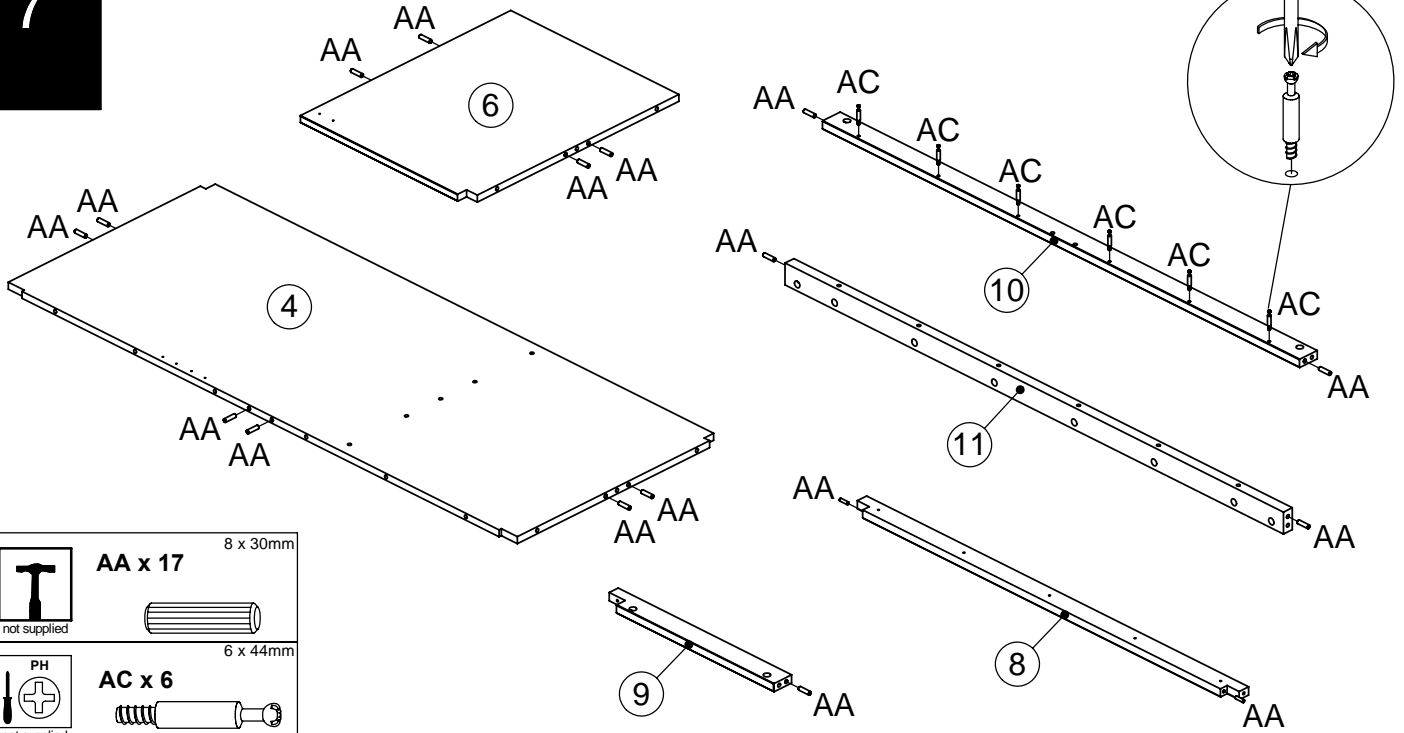
6



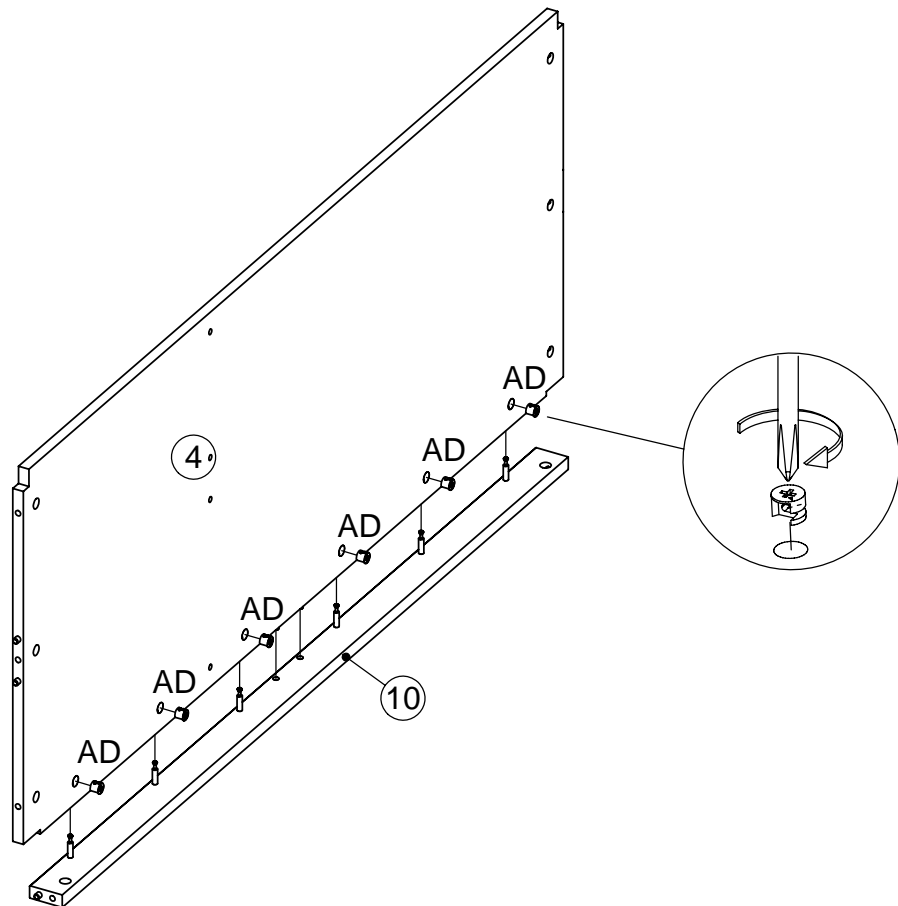
AQ x 2	350mm	AX x 2	BD x 3

not supplied	8 x 30mm	PH not supplied	6 x 41mm	PH not supplied	3.5 x 14mm	PH not supplied	6 x 8mm
	AA x 4	AB x 4	AG x 14	AF x 6			

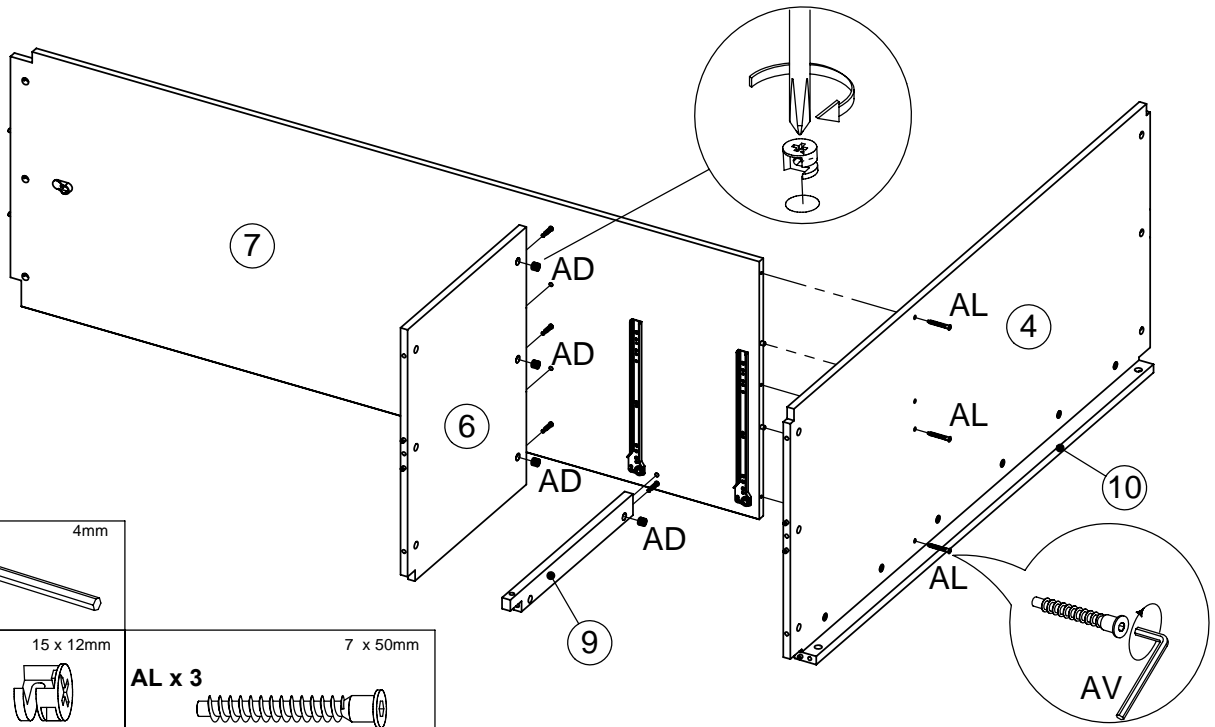
7



8



9



AV x 4



4mm



AD x 4



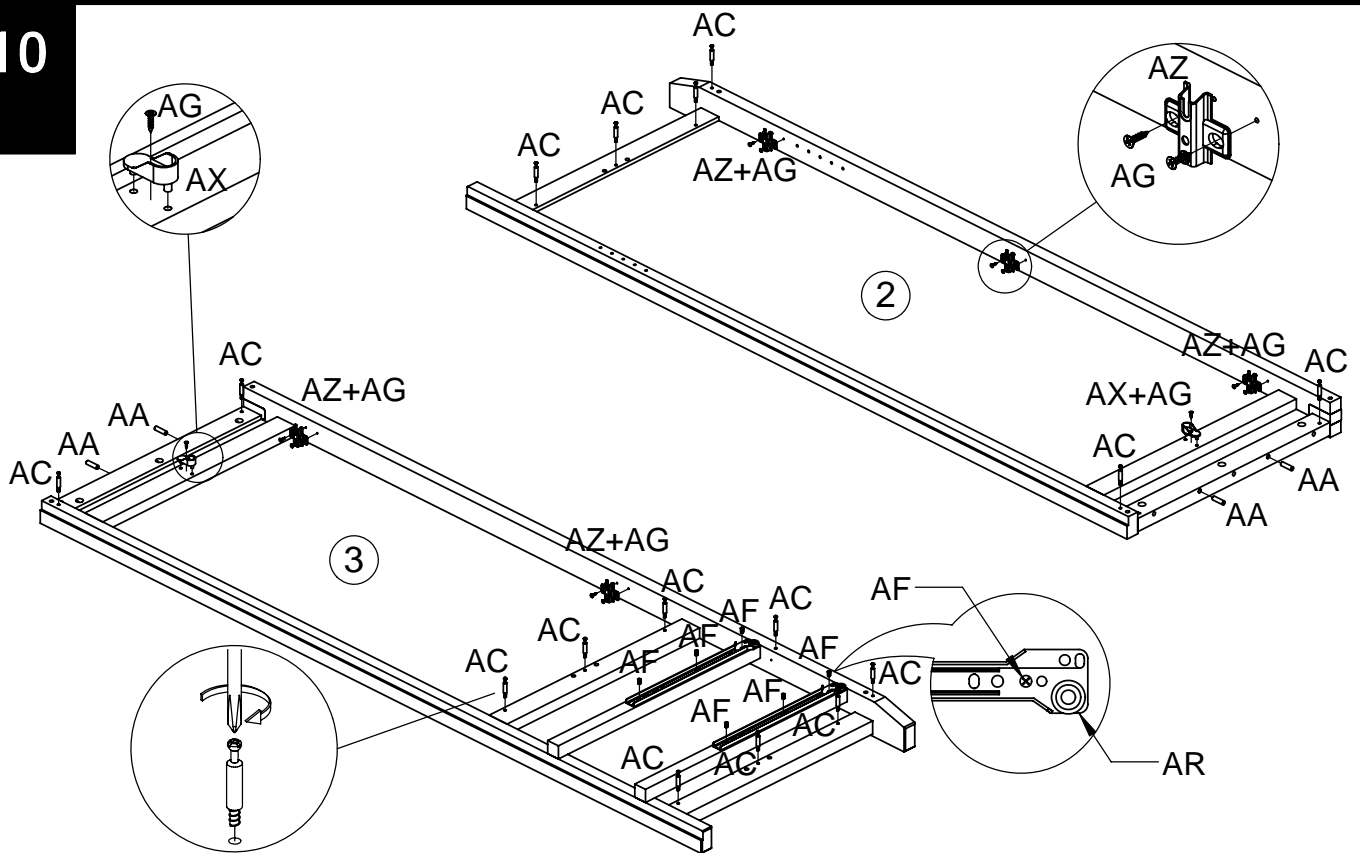
15 x 12mm

AL x 3



7 x 50mm

10



AR x 2



350mm

AX x 2



AZ x 5



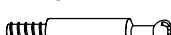
AA x 4



8 x 30mm



AC x 16



6 x 44mm



AG x 12



3.5 x 14mm

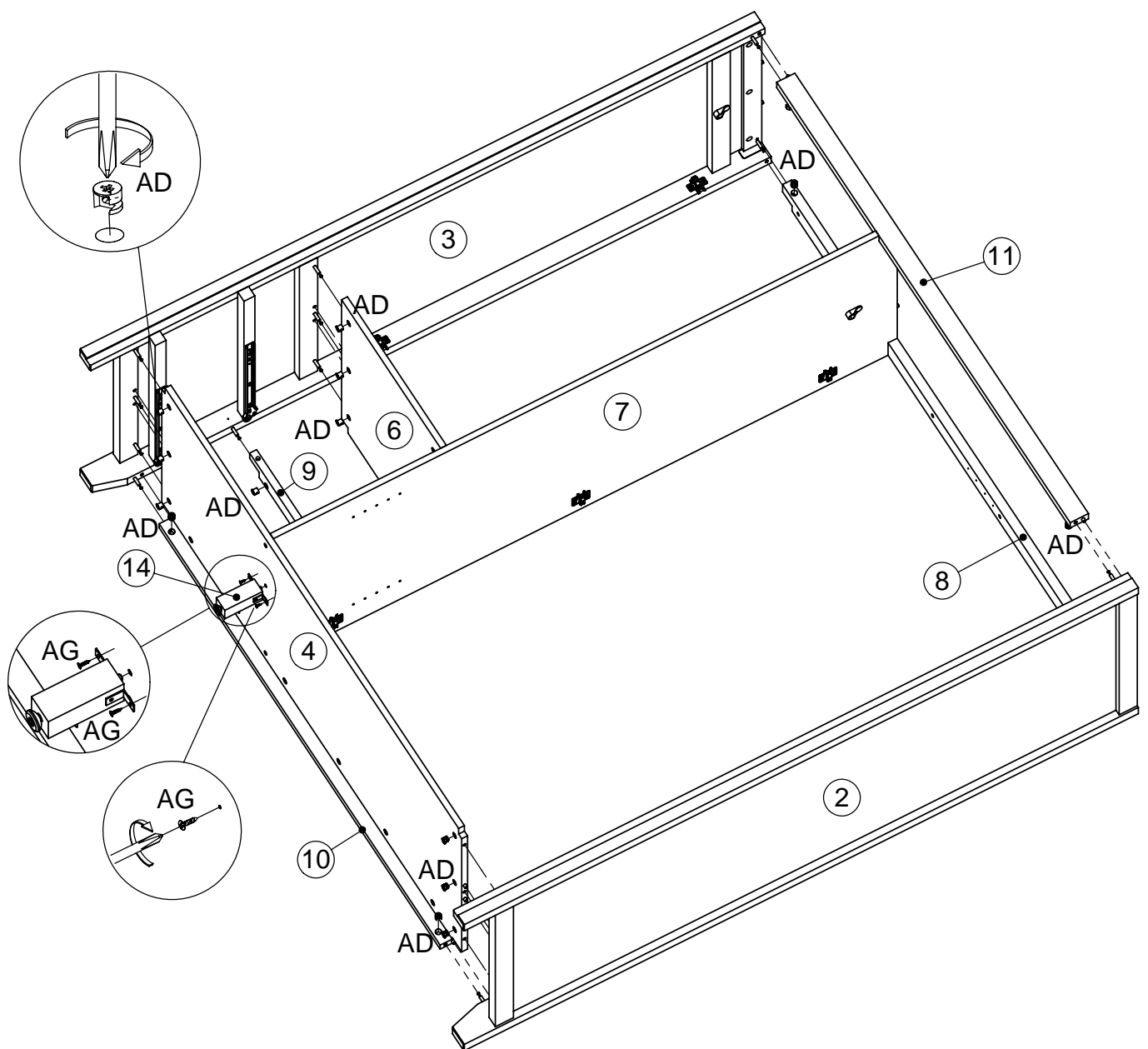


AF x 6



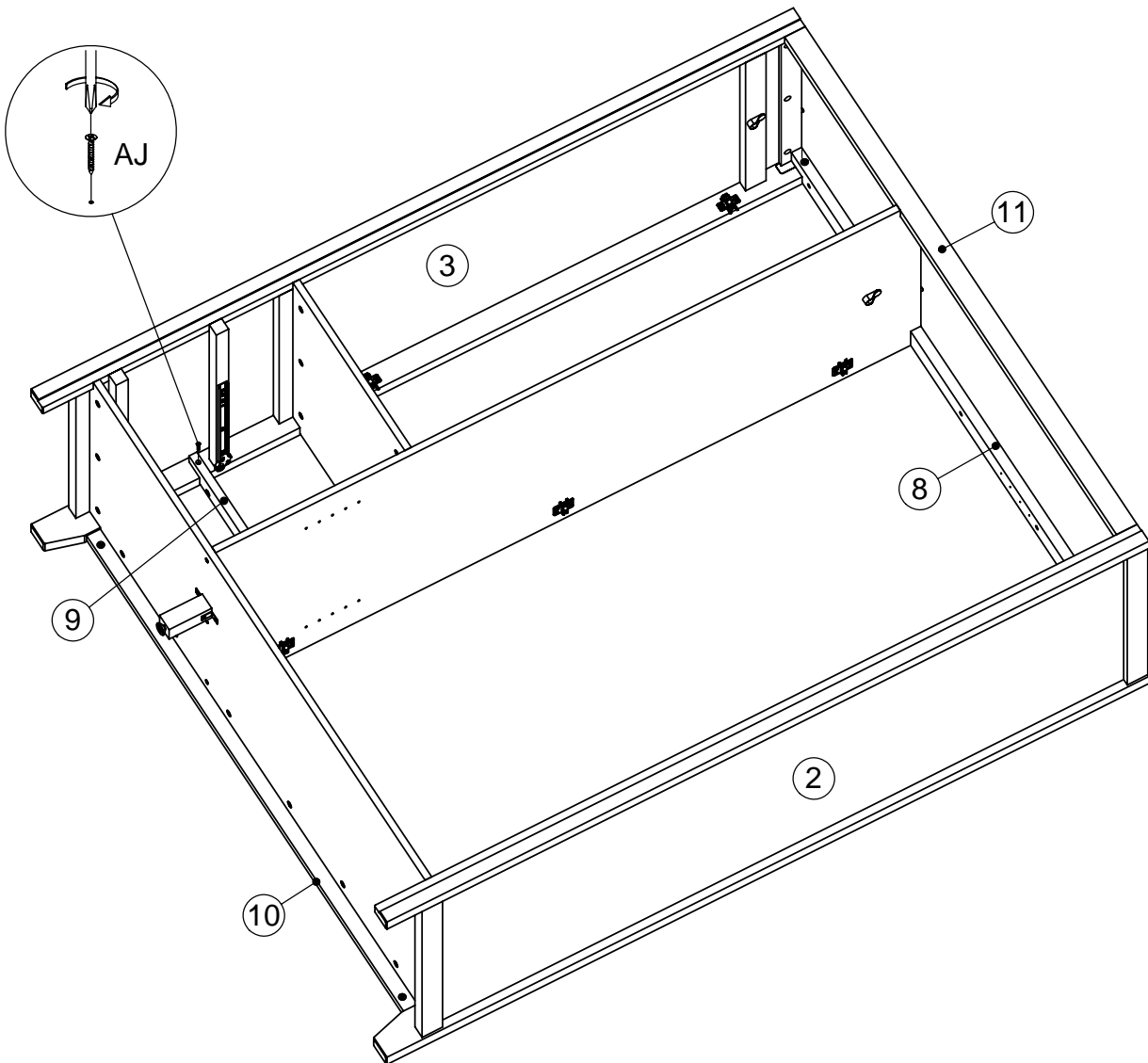
6 x 8mm

11



 not supplied	<b>AD x 6</b> 15 x 12mm	 not supplied	<b>AG x 2</b> 3.5 x 14mm
------------------	----------------------------	------------------	-----------------------------

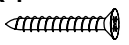
12



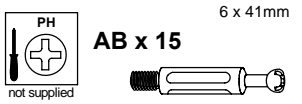
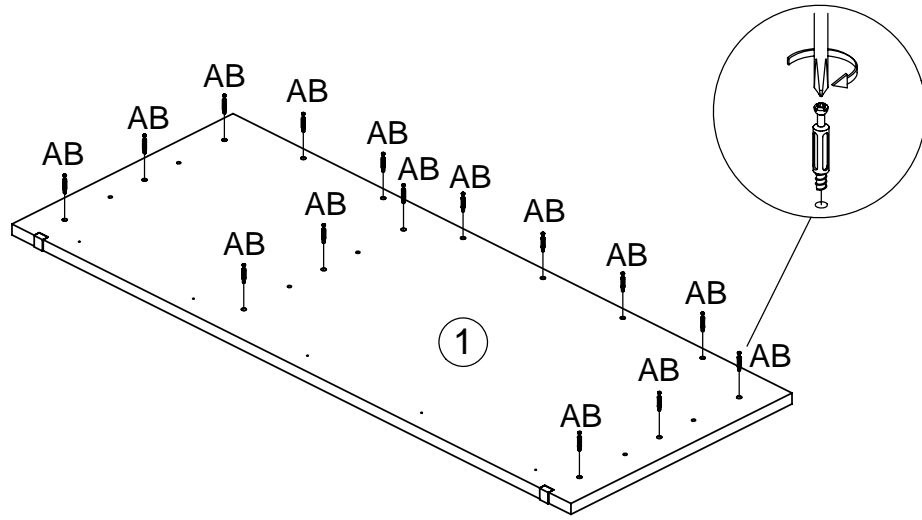
PH  
not supplied

4 x 30mm

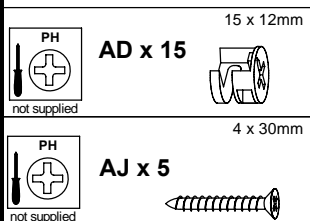
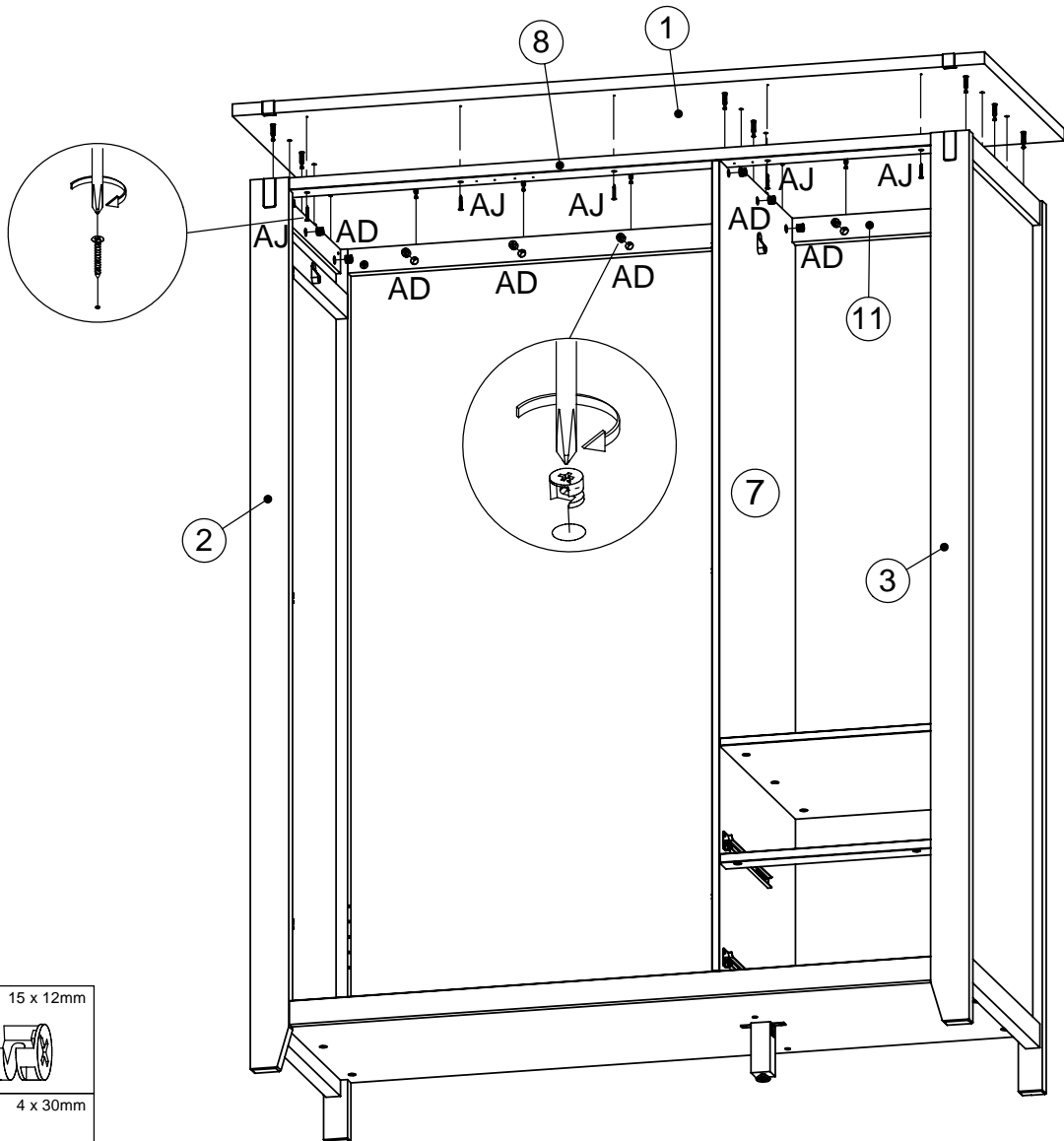
AJ x 1



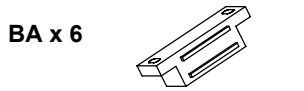
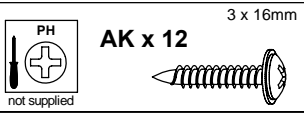
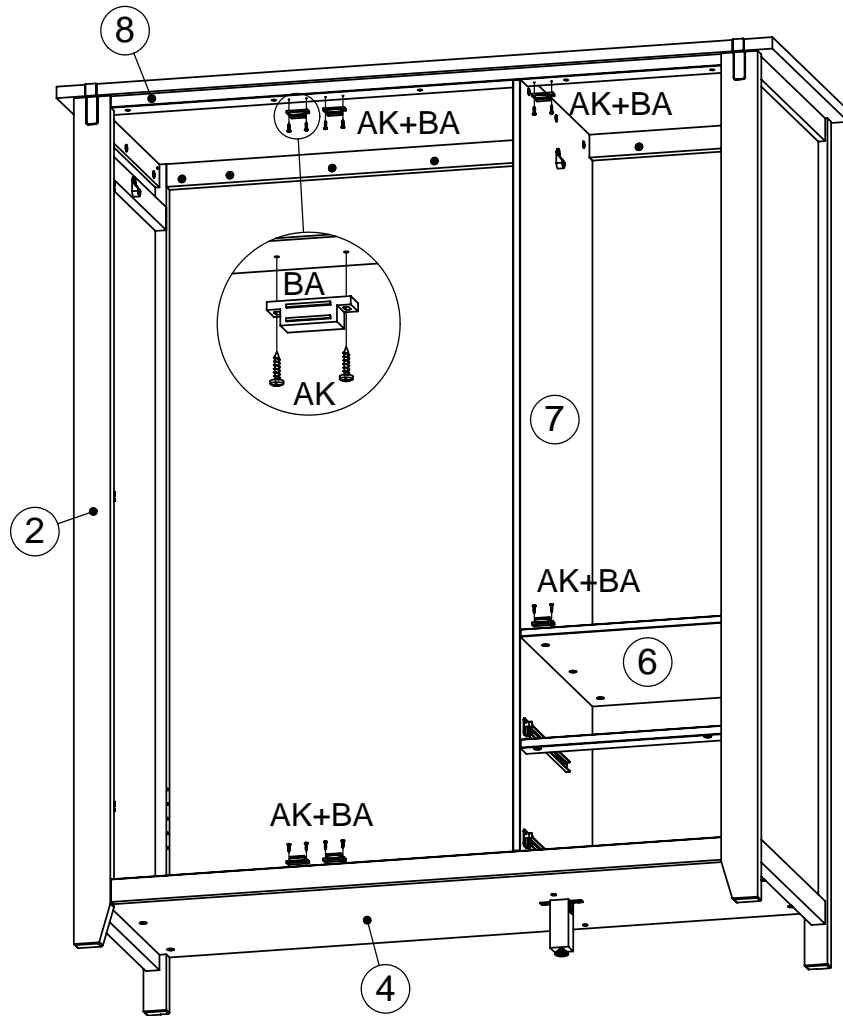
13



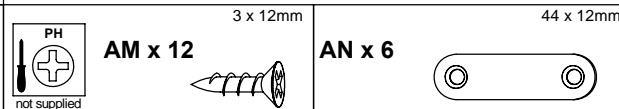
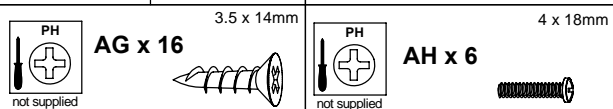
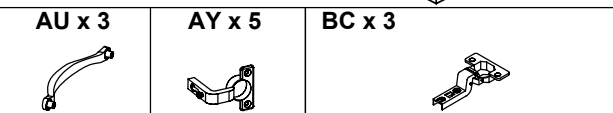
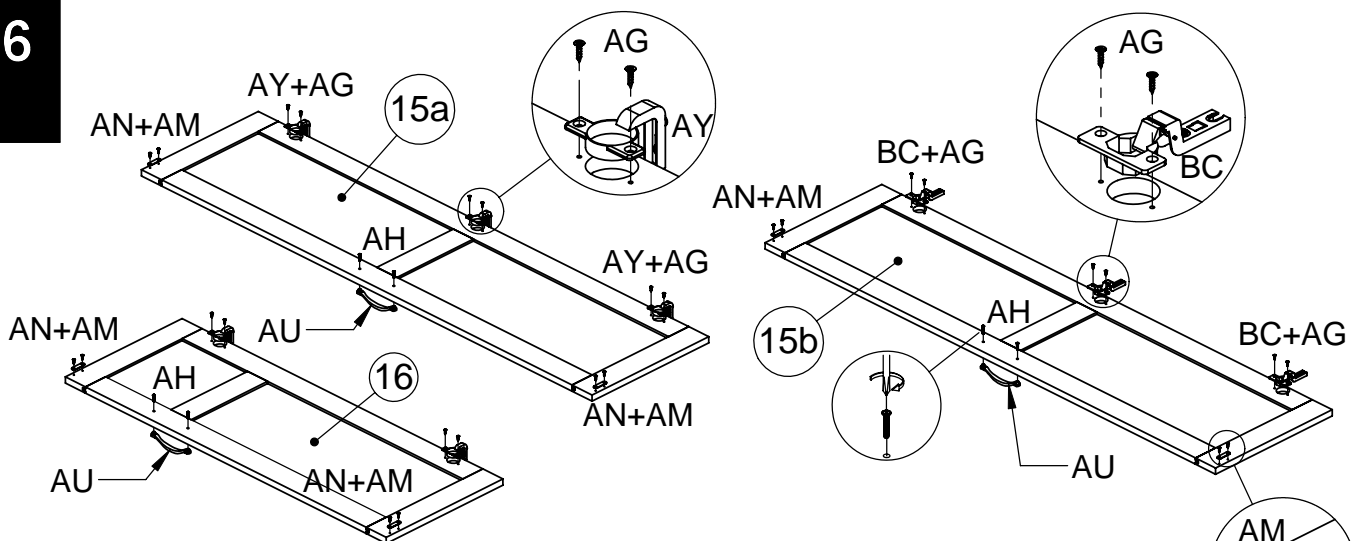
14



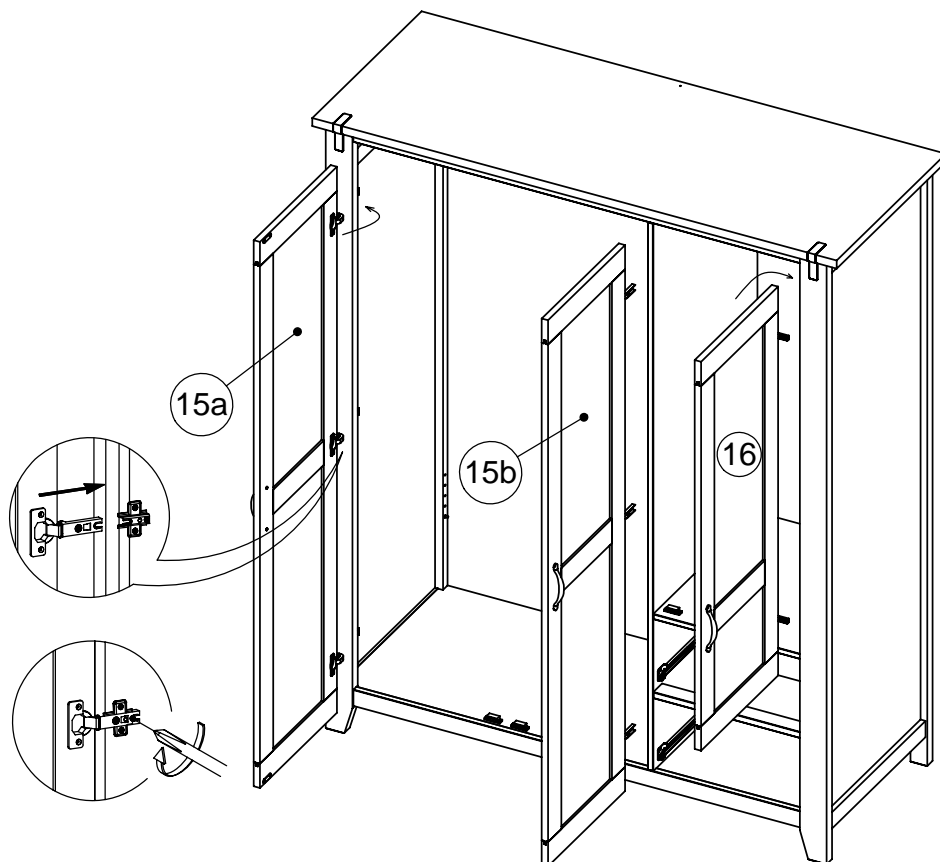
15



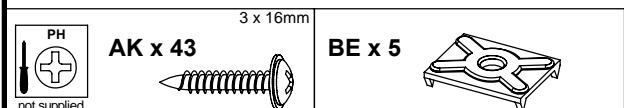
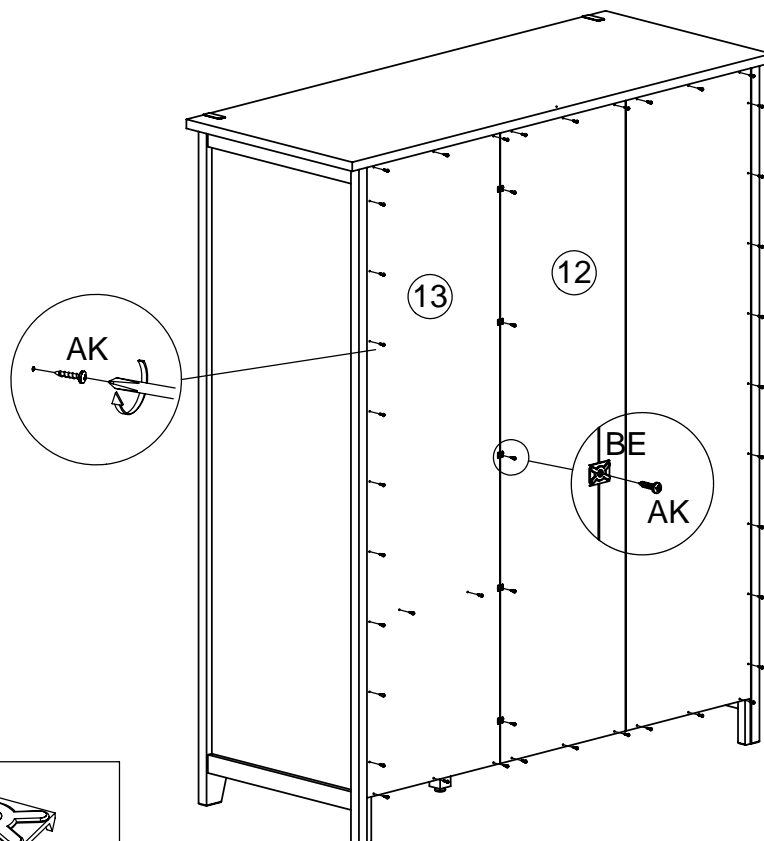
16



17

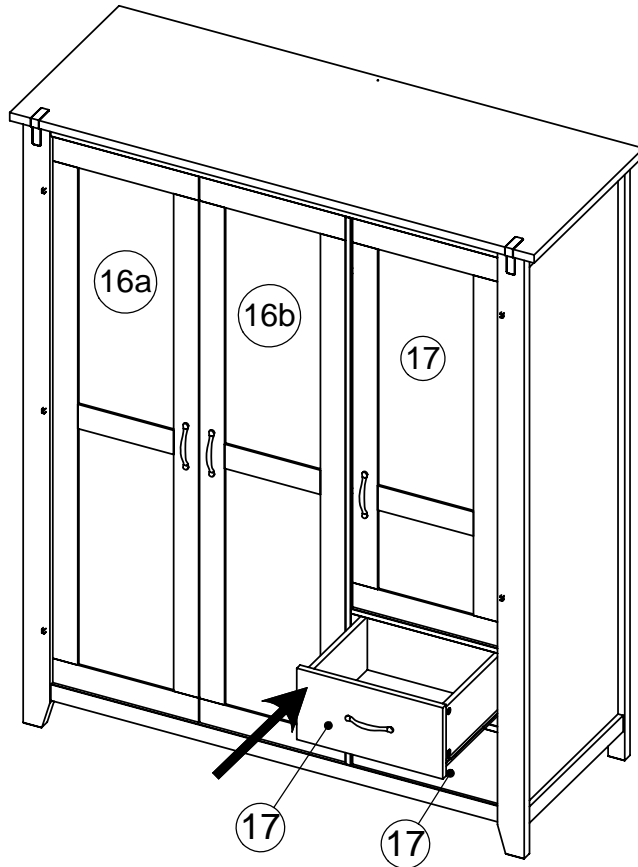


18

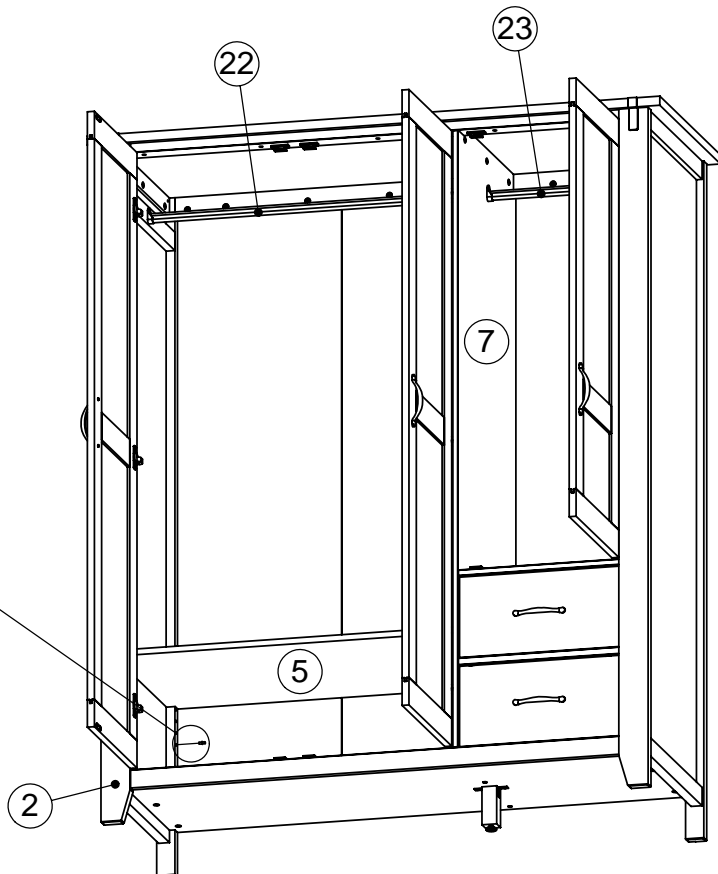
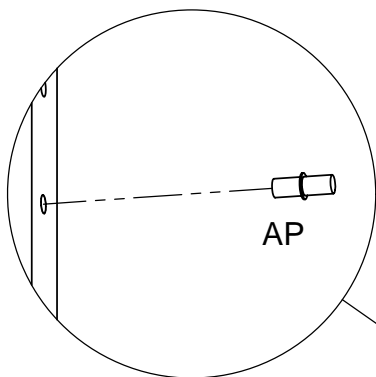




19

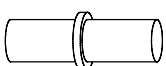


20



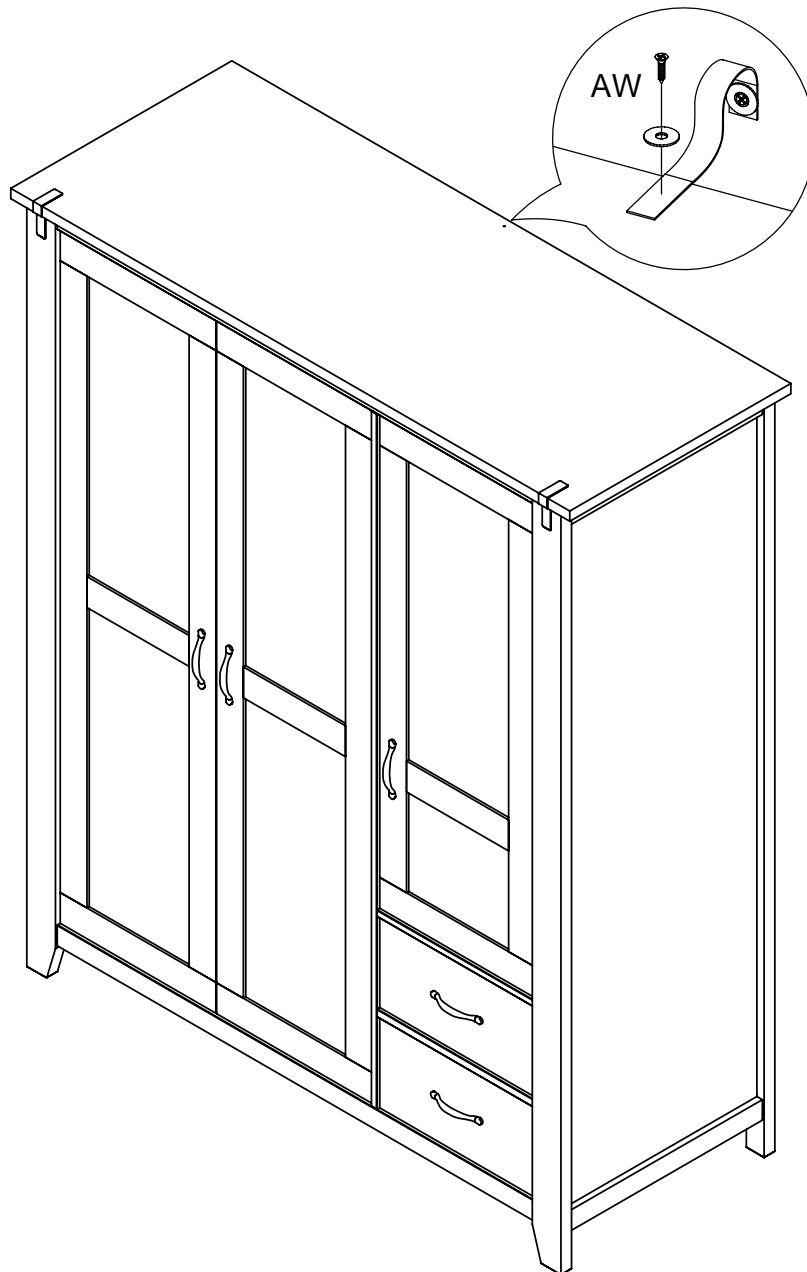
AP x 4

5 x 20mm



21

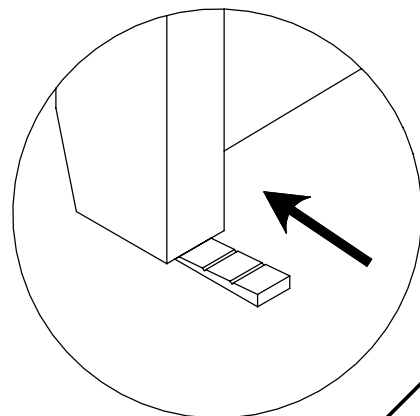
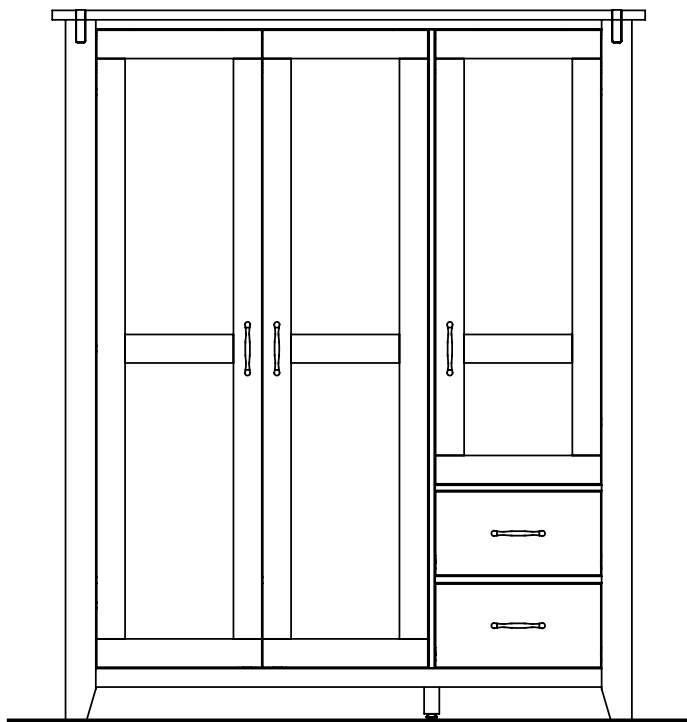
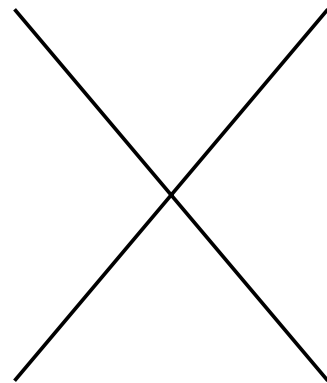
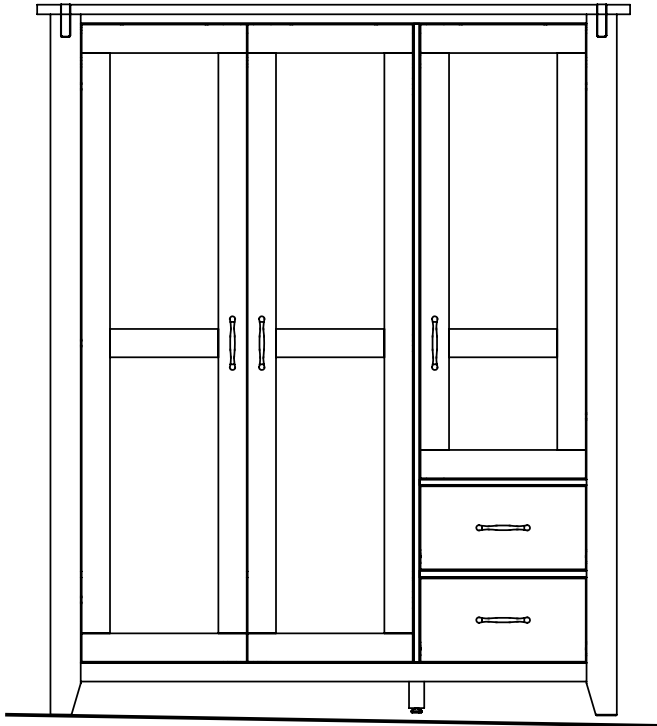
We recommend the use of the wall strap provided for safety reasons. Please follow the instructions included with the strap. N.B. Wall fixings are not included please source suitable fixings for your wall type. If in doubt, please consult a qualified tradesperson. **WARNING:** Always ensure the wall to be drilled is free from hidden electrical wires, water and gas pipes. Please read separate instructions contained with this part (AW) on the correct way of securing this strap.



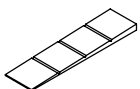
PH  
AW x 1  
not supplied

22

To help level the frame and doors on uneven floors please use the levelling wedges provided as shown below.



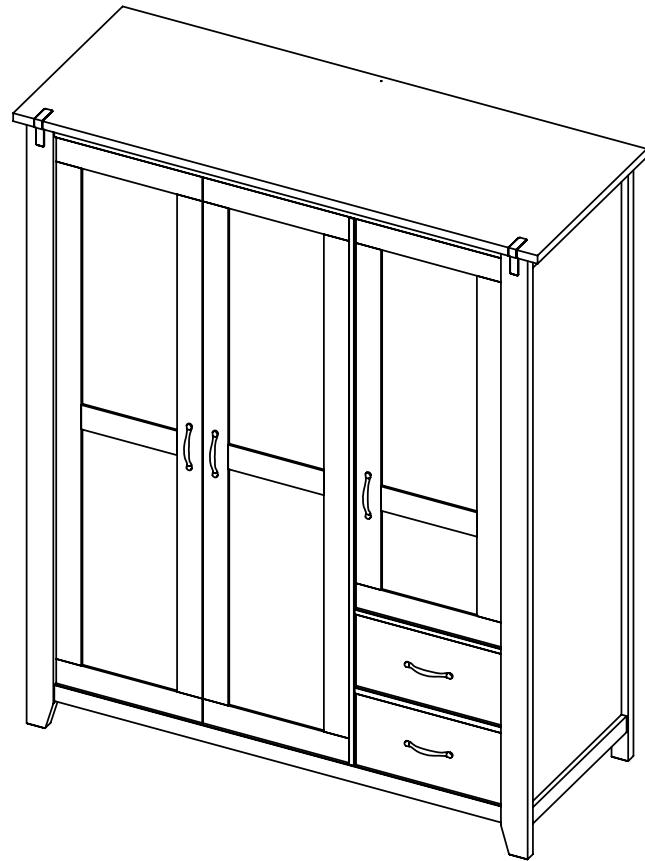
BB x 2



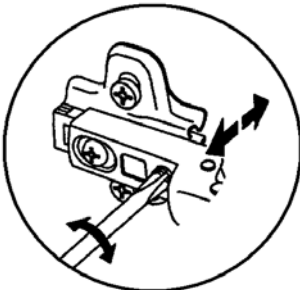
23

**Hinge adjustment:**

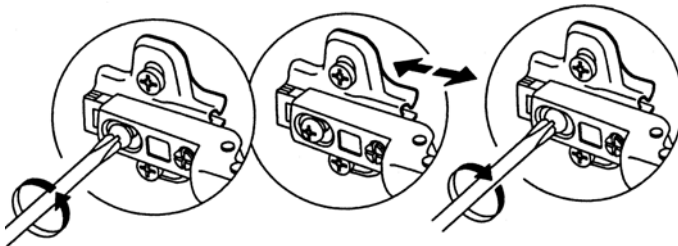
Once the product is in required position, doors may need to be aligned as follows:



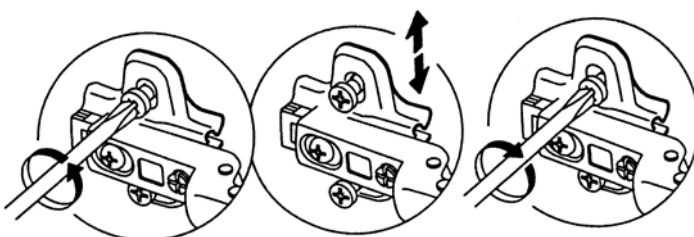
**Laterally (side to side)**



**Front-to-back**



**Vertically (up and down)**



next

# CLARENDON TRIPLE ROBE

783580

Actual product size  
H188 x W157 x D62cm

