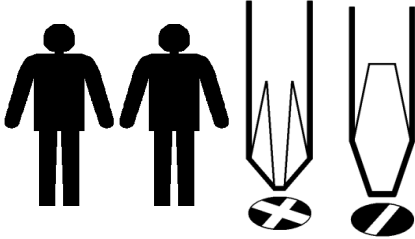
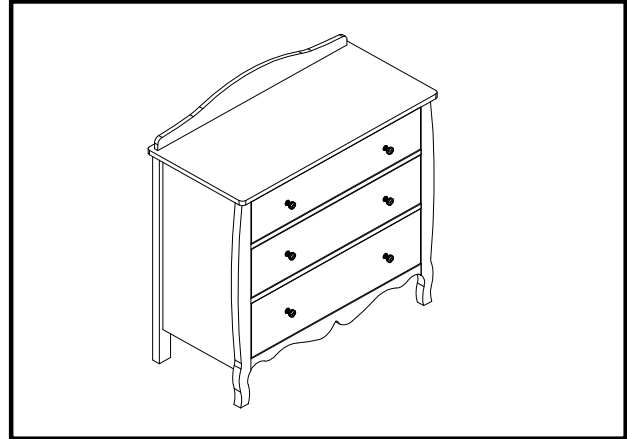


ASSEMBLY INSTRUCTIONS.**IMPORTANT - RETAIN FOR FUTURE REFERENCE - READ CAREFULLY.****Tools Needed****Helpline**

If you have any problems with this product or require any replacement fittings please contact Customer Services Tel: 0844 844 8999



Regrettably self assembly items cannot be returned once assembly is part or fully completed unless the item is found to be faulty. Should you need to return the unassembled product, please repack in the original packaging.

IMPORTANT

- We suggest you spend a short time reading through this leaflet and then follow the simple step-by-step instructions.
- Carefully check that you have all parts before beginning assembly.
- Keep fittings out of children's reach and keep children well away from the construction area.
- We recommend that the packaging is used to protect the surfaces during assembly.
- A minimum of two persons is required to assemble this product.
- Wall fixings are not included.
- We recommend the use of the wall attachment bracket/strap provided for safety reasons.

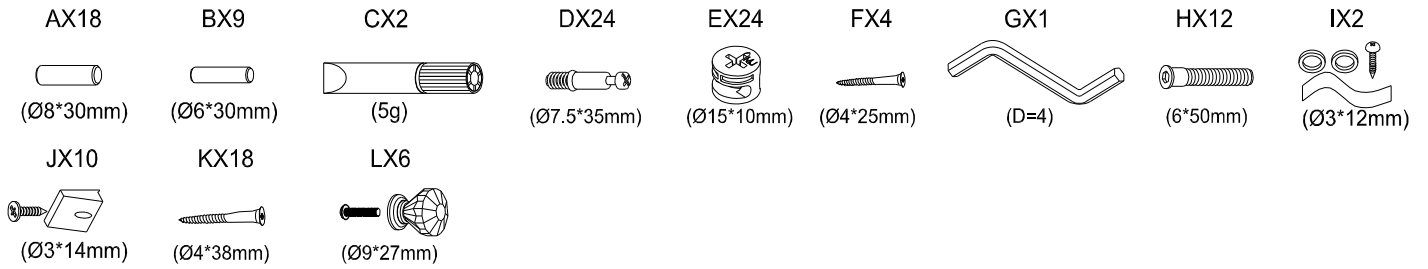
PRODUCT INFORMATION

- Made from hollow board, chipboard & MDF with a wood effect finish.
- Made in China.

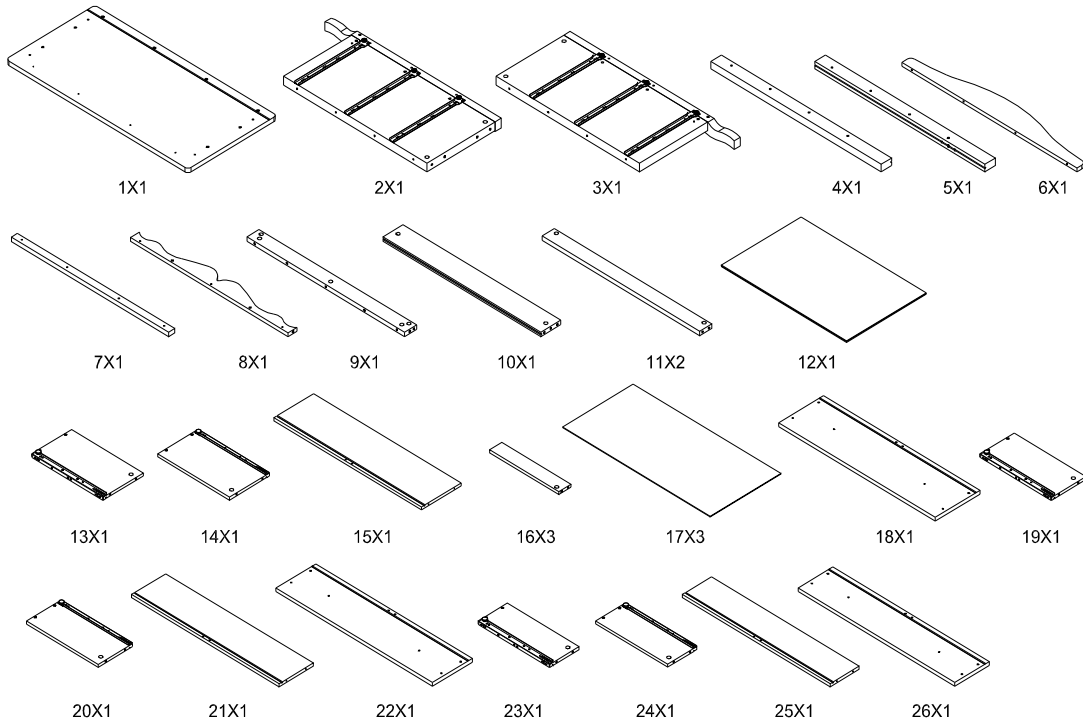
CARE INSTRUCTIONS

- For general cleaning, periodically dust with a soft cloth.
- Do not rub or scrub the surface when cleaning.
- Do not use furniture polish.
- Any spills should be removed immediately with a soft clean damp cloth and dried immediately.
- Ensure the product is protected with mats and coasters when items are placed on the surfaces, to prevent scratching or damage.
- Do not put hot dishes directly on the surfaces of the item.
- Avoid keeping furniture in direct sunlight or close to any heat sources as this can cause cracking, discolouration or warping.
- Never drag pieces of furniture across the floor as this will cause damage to the joints.
- All assembly fixings should always be tightened properly and periodically check all fixings and tighten if necessary.
- Please do not apply Adhesive substrates for example, sticky tape to the product.

FITTINGS



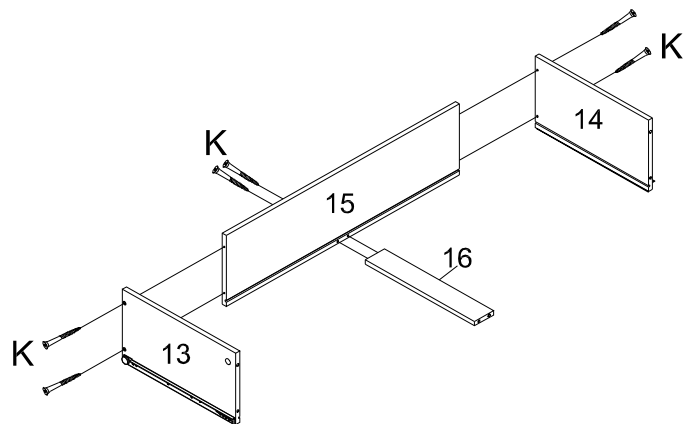
PARTS



STEP ONE

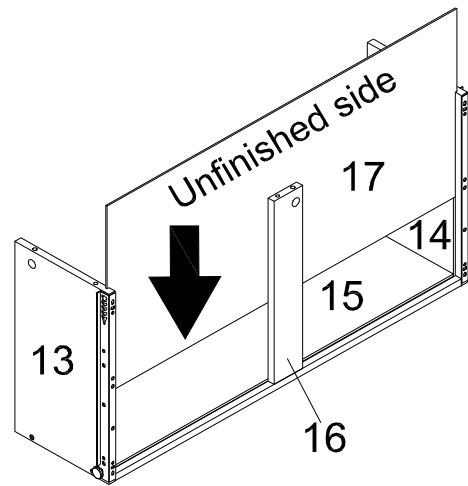
1. Attach panels 13, 16 & 14 to panel 15 with 6 x screws (K) and tighten with a screwdriver.

Ensure the holes for the camlocks in panel 16 are facing downwards.



STEP TWO

1. Slide panel 17 into the assembled drawer frame.

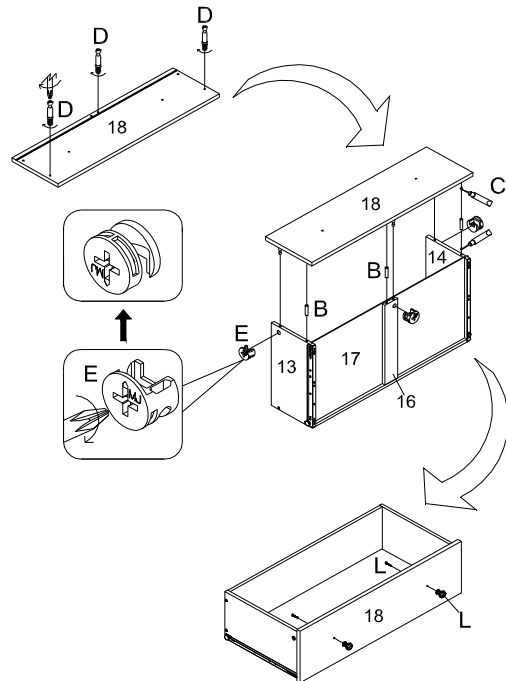


STEP THREE

1. Insert 3 x cambolts (D) into panel 18 and tighten with a screwdriver.
2. Glue and insert 3 x wooden dowels (B) into panels 13, 14 & 16 and attach panel 18 to assembled frame.
3. Insert 3 x camlocks (E) into panels 13, 14 & 16 and tighten with a screwdriver.

Ensure the arrow indicator is pointing towards the panel edge before tightening with a screwdriver.

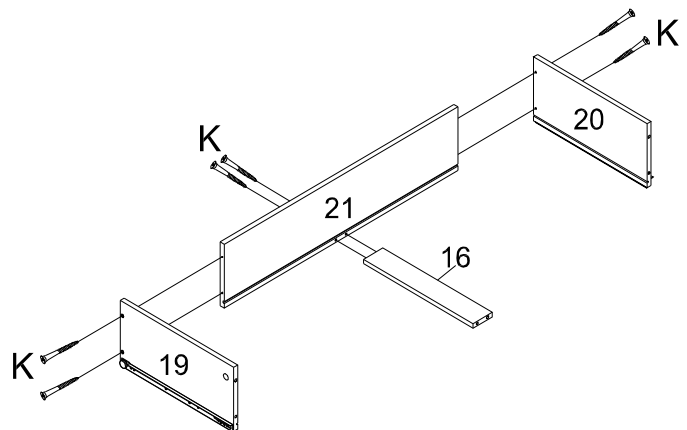
4. Attach 2 x handles (L) to the panel 18 with screws & tighten with a screwdriver.



STEP FOUR

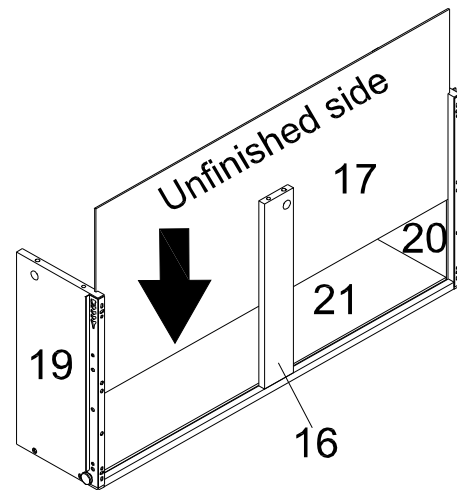
1. Attach panels 19, 20 & 16 to panel 21 with 6 x screws (K) and tighten with a screwdriver.

Ensure the holes for the camlocks in panel 16 are facing downwards.



STEP FIVE

1. Slide panel 17 into the assembled drawer frame.

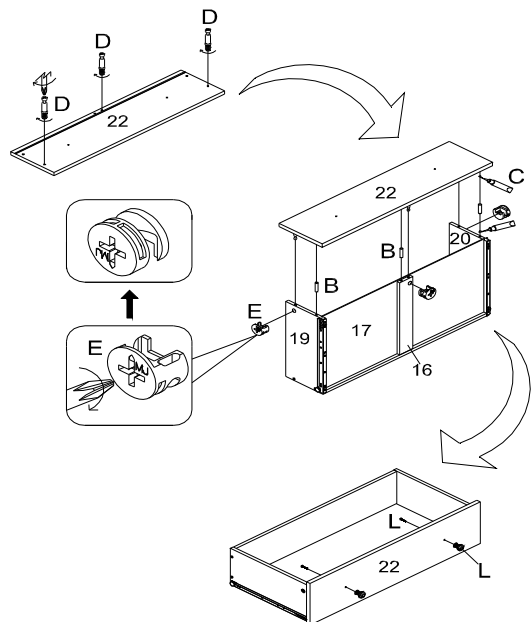


STEP SIX

1. Insert 3 x cambolts (D) into panel 22 and tighten with a screwdriver.
2. Glue and insert 3 x wooden dowels (B) into panels 19, 20 & 16 and attach panel 22 to assembled frame.
3. Insert 3 x camlocks (E) into panels 19, 20 & 16 and tighten with a screwdriver.

Ensure the arrow indicator is pointing towards the panel edge before tightening with a screwdriver.

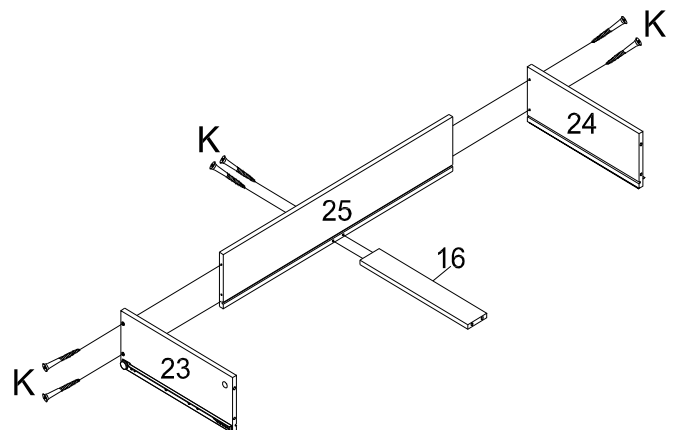
4. Attach 2 x handles (L) to the panel 22 with screws & tighten with a screwdriver.



STEP SEVEN

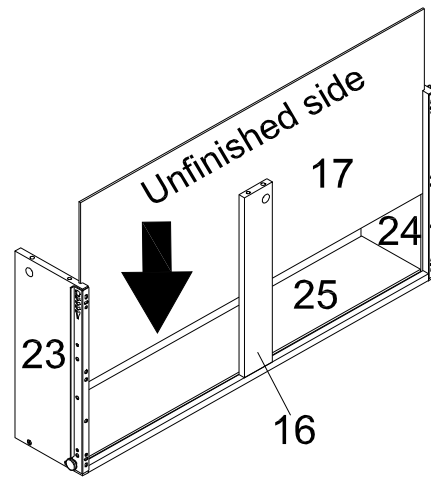
1. Attach panels 23, 24 & 16 to panel 25 with 6 x screws (K) and tighten with a screwdriver.

Ensure the holes for the camlocks in panel 16 are facing downwards.



STEP EIGHT

1. Slide panel 17 into the assembled drawer frame.

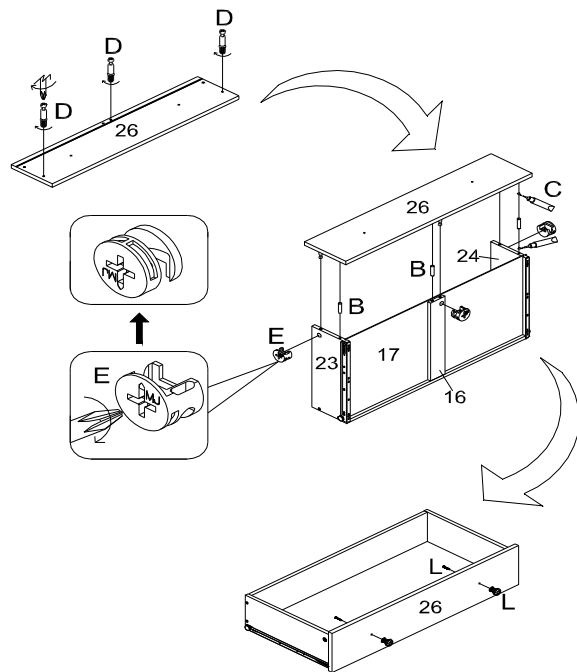


STEP NINE

1. Insert 3 x cambolts (D) into panel 26 and tighten with a screwdriver.
2. Glue and insert 3 x wooden dowels (B) into panels 23, 24 & 16 and attach panel 26 to assembled frame.
3. Insert 3 x camlocks (E) into panels 23, 24 & 16 and tighten with a screwdriver.

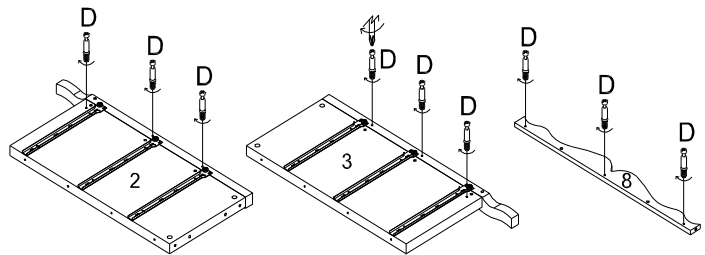
Ensure the arrow indicator is pointing towards the panel edge before tightening with a screwdriver.

4. Attach 2 x handles (L) to the panel 26 with screws & tighten with a screwdriver.



STEP TEN

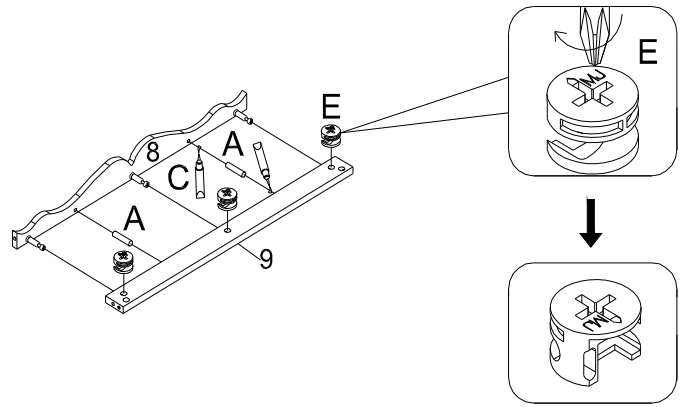
1. Insert 9 x cambolts (D) into panels 2, 3 & 8 and tighten with a screwdriver.



STEP ELVEN

1. Glue and insert 2 x wooden dowels (A) into panel 9.
2. Attach panel 8 to panel 9.
3. Insert 3 x camlocks (E) into panel 9 and tighten with a screwdriver.

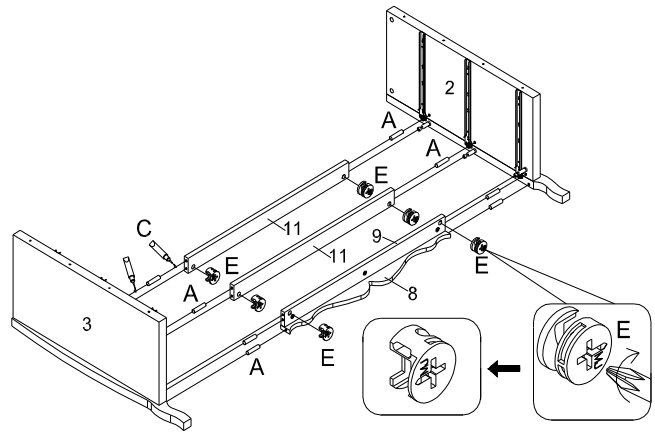
Ensure the arrow indicator is pointing towards the panel edge before tightening with a screwdriver.



STEP TWELVE

1. Glue and insert 8 x wooden dowels (A) into panels 11 (x2) & 9.
2. Attach panels 2 & 3 to panels 11 (x2) & 9.
3. Insert 6 x camlocks (E) into panels 11 (x2) & 9 and tighten with a screwdriver.

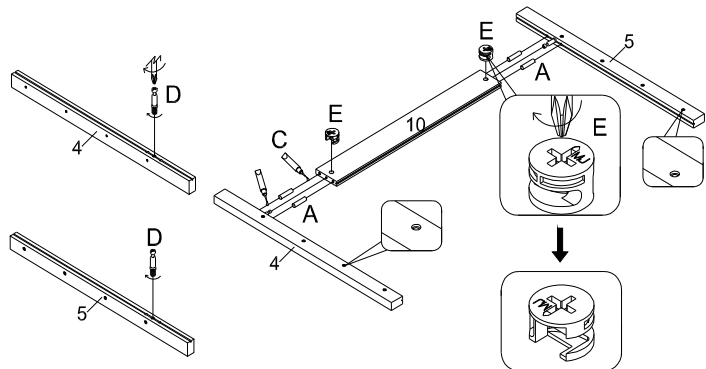
Ensure the arrow indicator is pointing towards the panel edge before tightening with a screwdriver.



STEP THIRTEEN

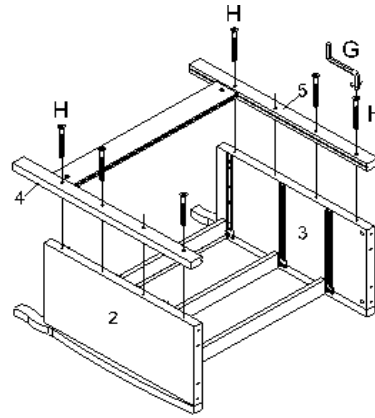
1. Insert 2 x cambolts (D) into panels 4 & 5 and tighten with a screwdriver.
2. Glue and insert 4 x wooden dowels (A) into panel 10.
3. Attach panels 4 & 5 to panel 10.
4. Insert 2 x camlocks (E) into panel 10 and tighten with a screwdriver.

Ensure the arrow indicator is pointing towards the panel edge before tightening with a screwdriver.



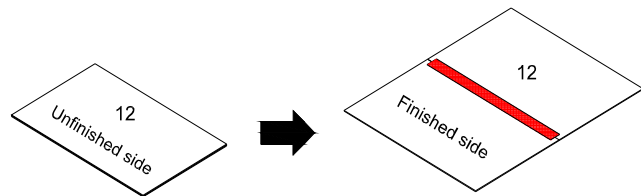
STEP FOURTEEN

1. Attach the assembled frame 4, 5 & 10 to panels 2 & 3 with 6 x screws (H) and tighten by an Allen key (G) as shown in diagram.



STEP FIFTEEN

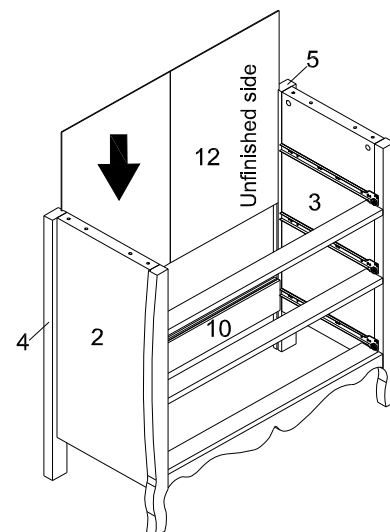
1. Unfold the panel 12 as shown in diagram.



STEP SIXTEEN

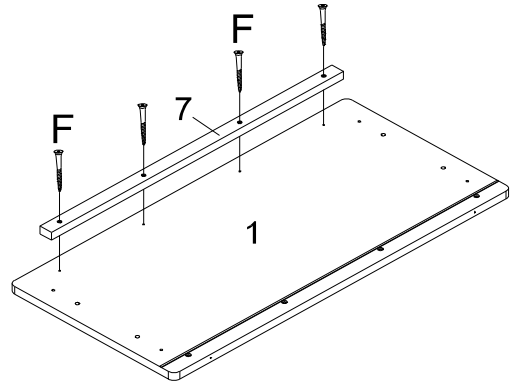
1. Carefully lift the unit upright, the unit should be lifted by two people.

2. Slide panel 12 into the assembled unit as shown in diagram.



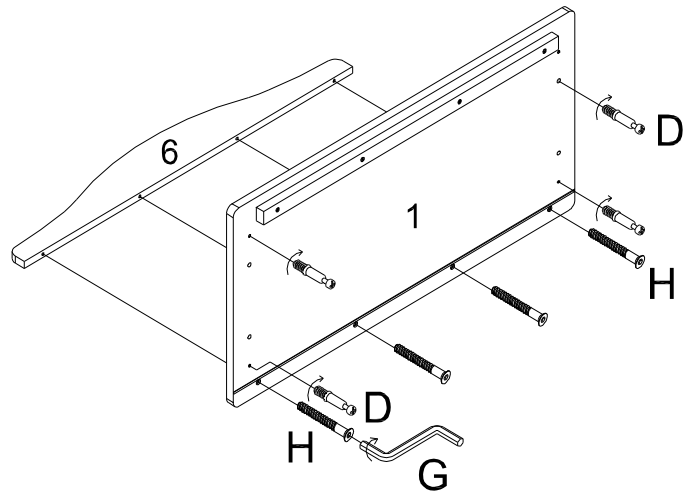
STEP SEVENTEEN

1. Attach panel 7 to panel 1 with 4 x screws (F) and tighten with a screwdriver.



STEP EIGHTEEN

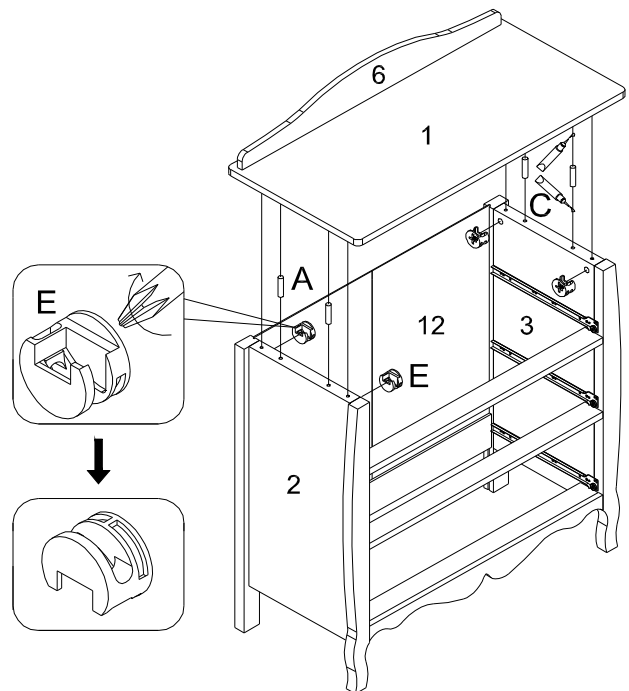
1. Attach panel 6 to panel 1 with 4 x screws (H) and tighten by an Allen key (G)
2. Insert 4 x cambolts (D) into panel 1 and tighten with a screwdriver.



STEP NINETEEN

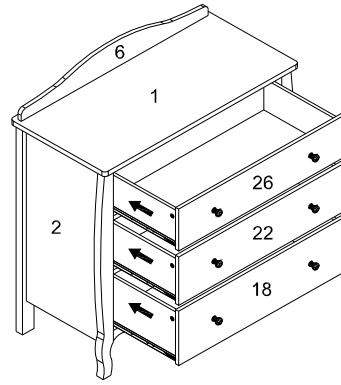
1. Glue and insert 4 x wooden dowels (A) into panels 2 & 3.
2. Attach panel 1 to panels 2 & 3.
3. Insert 4 x camlocks (E) into panels 2 & 3 and tighten with a screwdriver.

Ensure the arrow indicator is pointing towards the panel edge before tightening with a screwdriver.



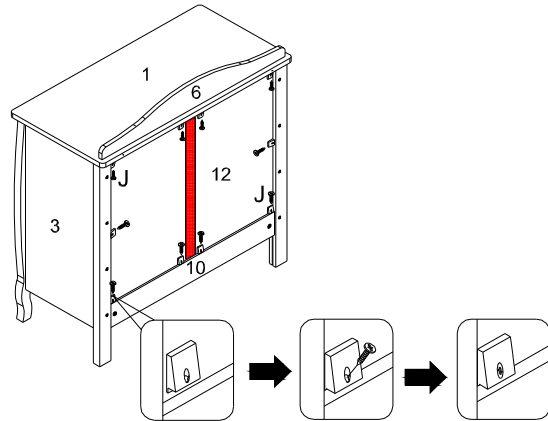
STEP TWENTY

1. Insert drawers into the assembled unit.



STEP TWENTY-ONE

1. Insert 10 x plastic fasteners (J) into the back panel groove and tighten with screws provided.

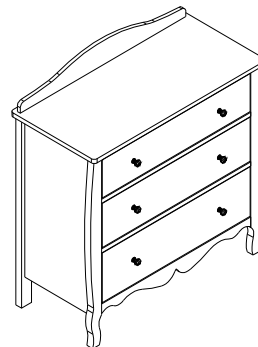
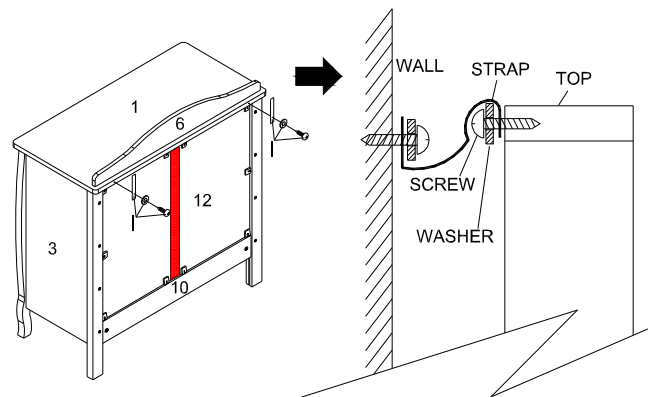


STEP TWENTY-TWO

1. Use 2 x screws and 2 x washer to secure 2 x nylon strap (I) to the back of the top panel.
2. Secure the other ends of the straps to the wall using appropriate screws, washers (not provided) and wall plugs for your wall type.

WARNING: Always ensure the area to be drilled is free from hidden electrical wires, water and gas pipes.

NOTE: Wall fixings are not included, Please source suitable wall fixings for your wall type. If in doubt consult a qualified trades person.



Next Retail Ltd, Desford Road, Leicester, LE19 4AT