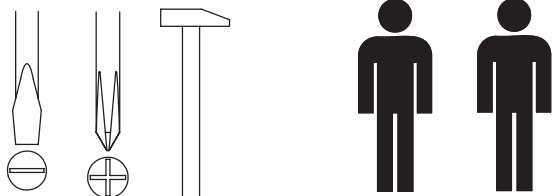


792359 CLARENDON KING SIZE BED

next

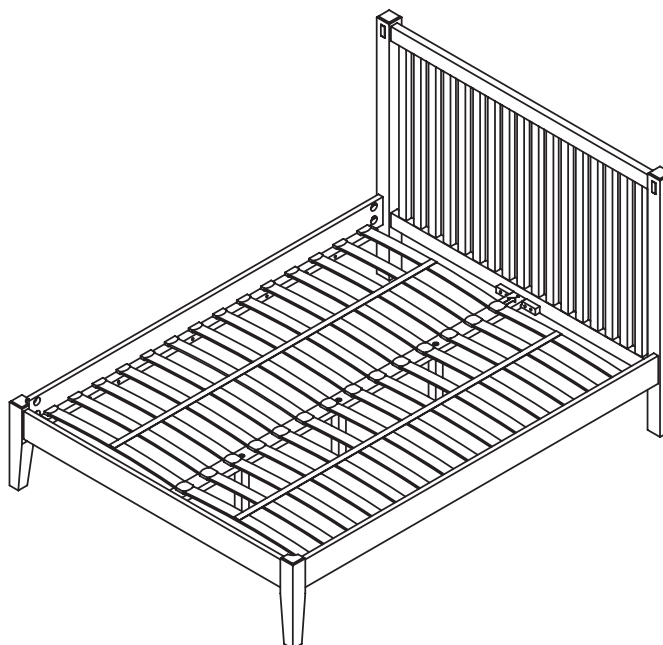
Tools Needed

All you need to assemble this piece of furniture is a flat and crosshead screwdriver as well as a hammer (Not supplied)



Assembly Instructions

Please keep these instructions for future reference



Helpline

If you have any problems with this product or require any replacement fittings please contact Customer Services Tel: 0333 777 8999

Regrettably self assembly items cannot be returned once assembly is part or fully completed unless the items are found to be faulty. Should you need to return the unassembled product, please repack in its original packaging.

Important

- We suggest you spend a short time reading through this leaflet and then follow the simple step-by-step instructions.
- Carefully check that you have all the parts before beginning assembly.
- Keep fittings out of children's reach and keep children well away from construction area.
- We suggest you retain these instructions for future reference.
- We recommend that the packaging is used to protect the surfaces during assembly
- A minimum of 2 people are required to assemble this product.

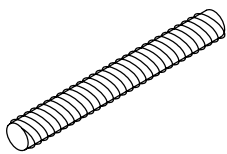
Product Information

- Made with solid oak and oak veneer with primer + oil finish.
- Natural features ensure that each piece is individual. Every effort is made to ensure colour continuity between pieces, however this is a natural product, slight colour variations and natural grain markings may occur.
- Oak wood and veneers often have random pale markings in the grain, these are medullary rays which are a natural unique feature of this wood
- Made in China.

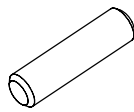
Care Instructions

- Avoid exposing the furniture to excessive heat or direct sunlight as this can cause cracking of the wood and deterioration of the colour.
- Periodically dust lightly with a soft cloth.
- Any spills should be removed immediately with a damp cloth.
- Do not use silicone based furniture polish.
- Ensure that the product is protected with mats & coasters when items are placed on to its surface. Never put hot dishes directly onto wooden or glass surfaces as this may mark the furniture.
- Wood will mellow and change colour over time, we recommend that ornaments and items placed on the surface are moved regularly for the first few months to prevent uneven mellowing.
- Take care when moving the furniture and never drag the pieces across the floor, as this will cause damage to the joints.
- Periodically check fittings are secure and re-tighten as necessary.
- Please do not apply Adhesive substrates for example, sticky tape to the product.

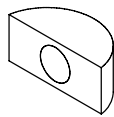
Fittings



A x 8
M8x65



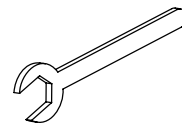
B x 8
Ø 10x40



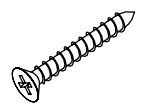
C x 8
Ø 35



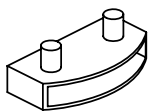
D x 8
M8



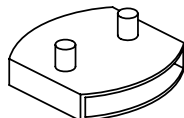
E x 1



F x 10
Ø 4x25



G x 28



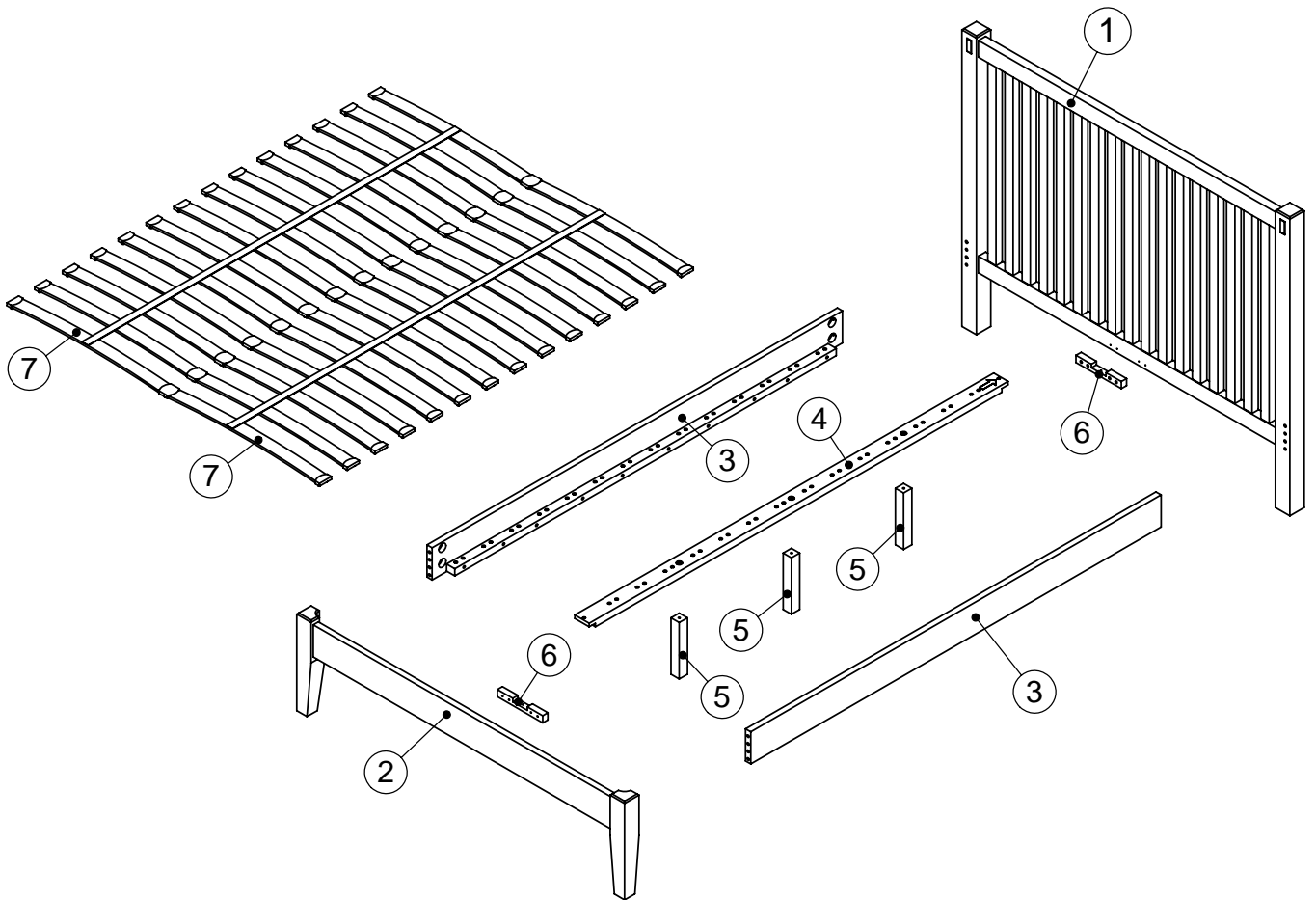
H x 14

Parts

PACK PANELS LIST

1 - 2 ① x 1 ⑥ x 2
 ② x 1 ⑦ x 2
 ⑤ x 3

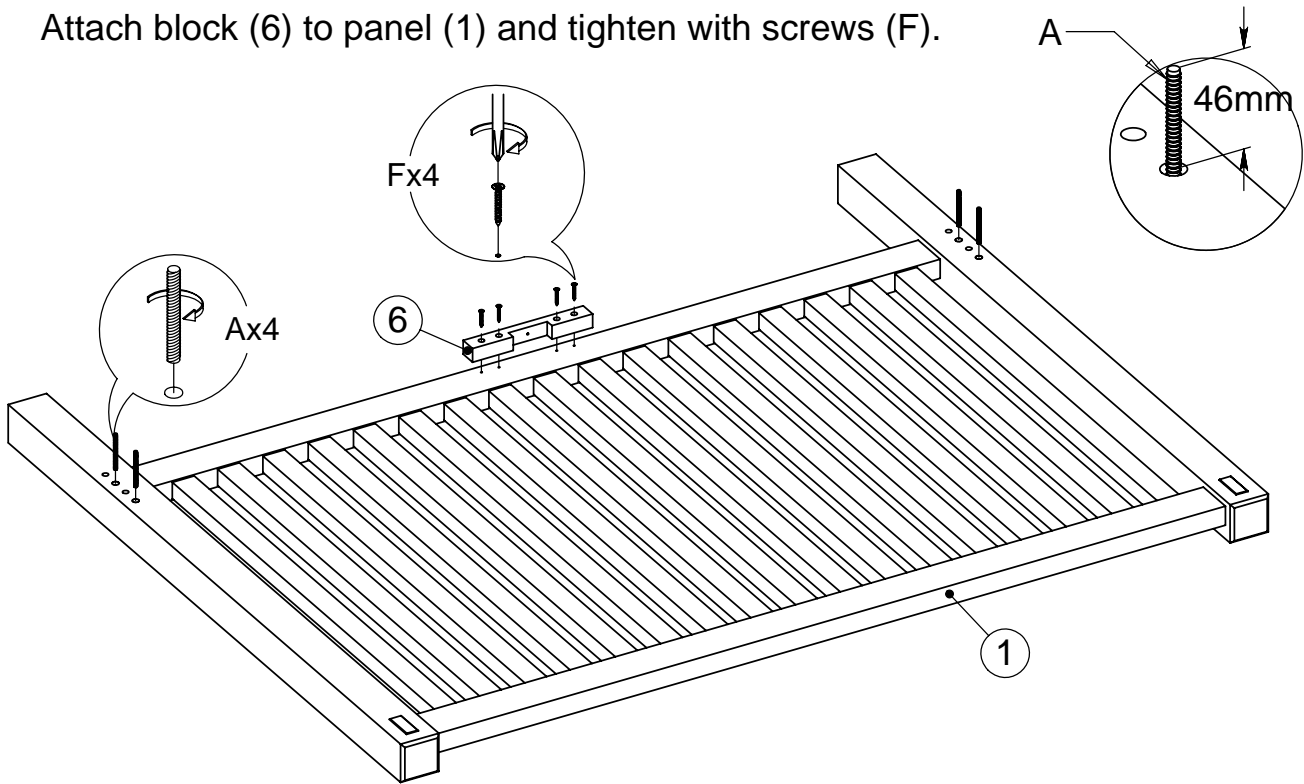
2 - 2 ③ x 2
 ④ x 1



Step One

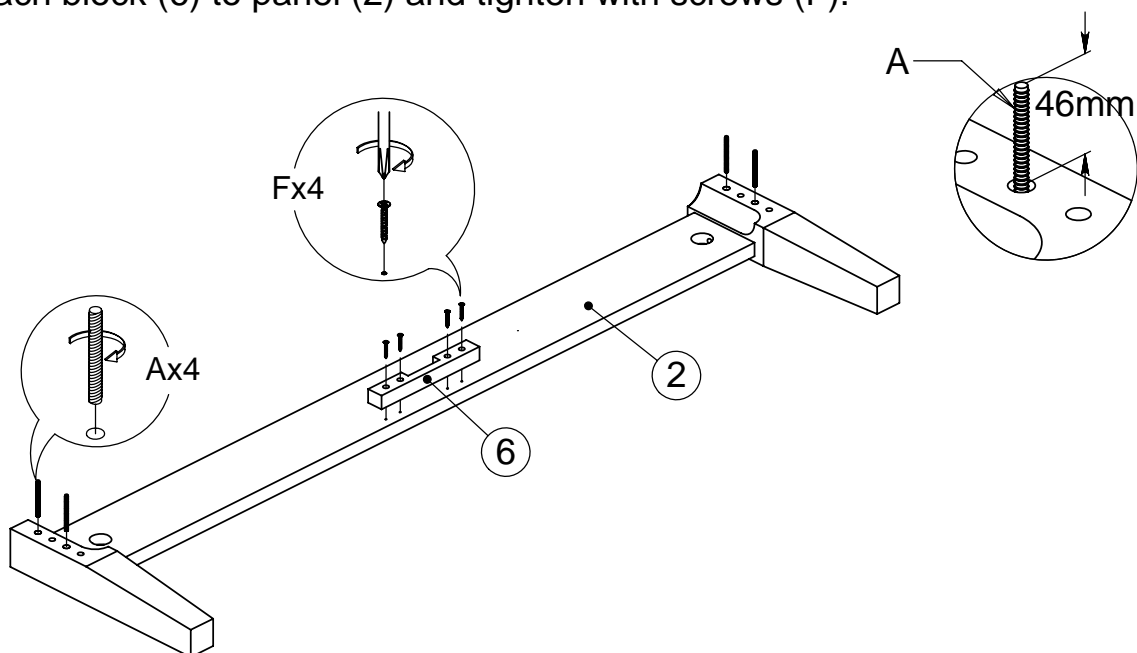
(Assemble on a flat and even surface)

- Insert bolts (A) into panel (1) by hand.
- Attach block (6) to panel (1) and tighten with screws (F).



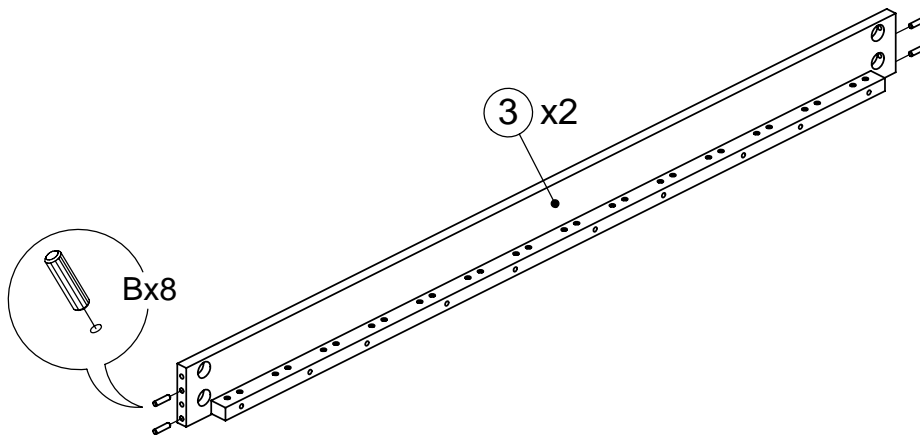
Step Two

- Insert bolts (A) into panel (2) by hand.
- Attach block (6) to panel (2) and tighten with screws (F).



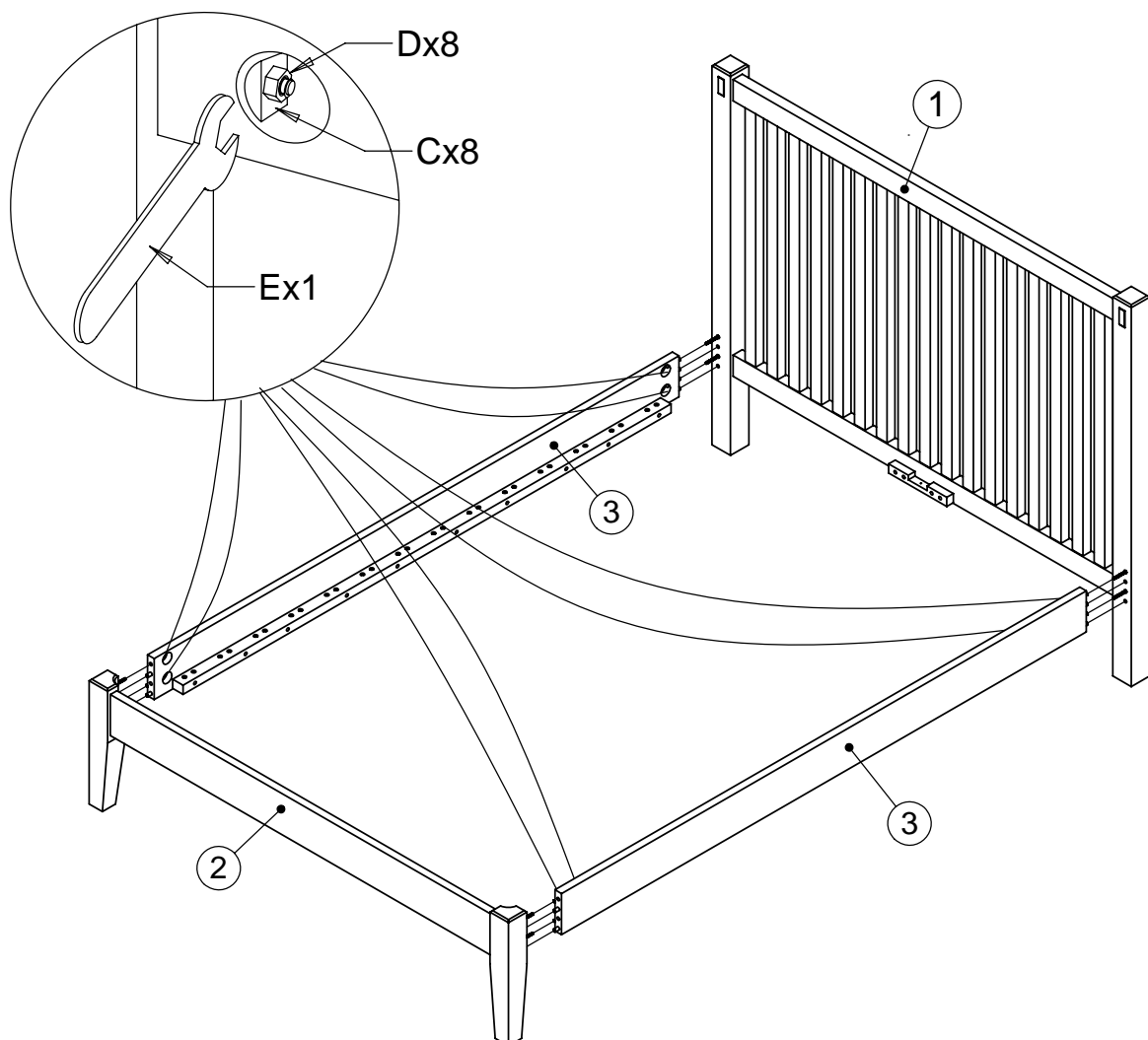
Step Three

- Insert dowels (B) into panels (3) with a hammer.



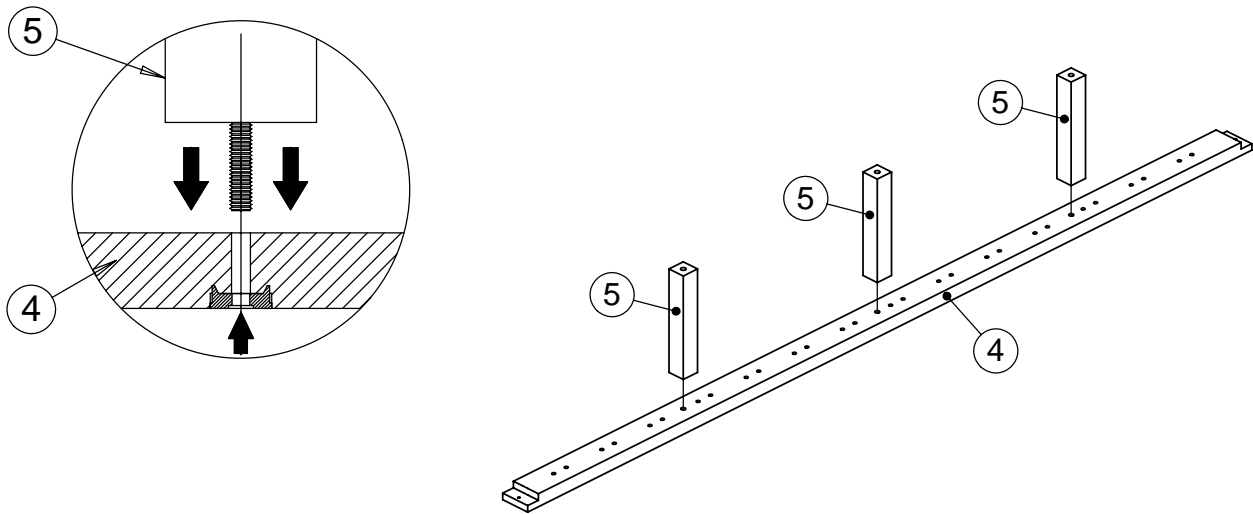
Step Four

- Attach panels (3) to panels (1) and (2), insert half moon washers (C) and nuts (D) into panels (3) and tighten with spanner (E).



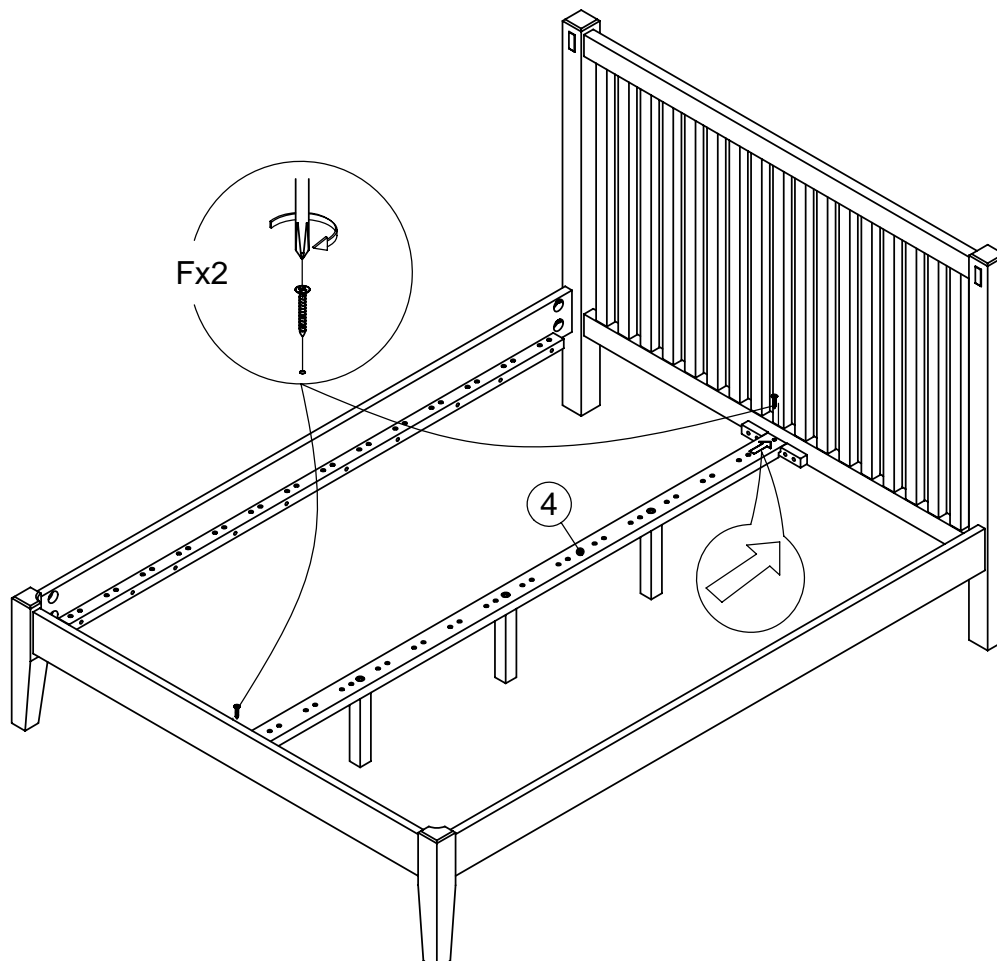
Step Five

- Attach feet (5) to panel (4), rotate clockwise to tighten.



Step Six

- Attach panel (4) to the bed and tighten with screws (F).



Step Seven

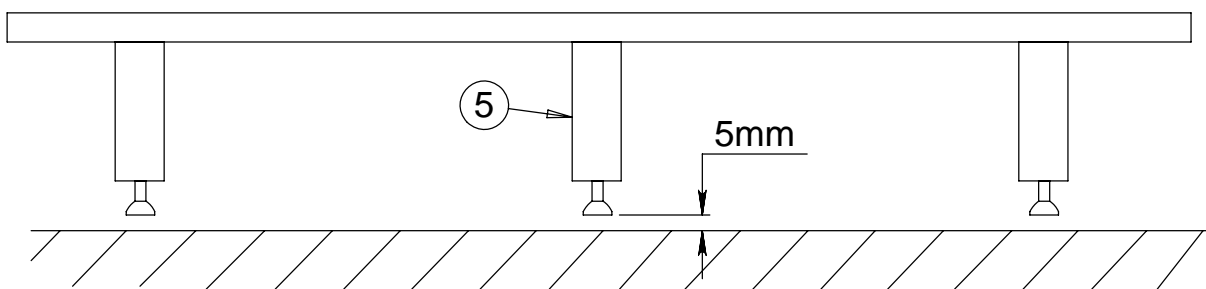
IMPORTANT

Once the feet have been assembled and attached, they should be adjusted to ensure they do not touch the floor, (5mm above the floor) to allow for movement once the mattress is placed on the bed frame.

It is important to note that when moving the bed that it is not dragged into its new position to prevent the possibility of these feet being twisted or angled to one side, which could lead to the collapse of the centre of the bed.

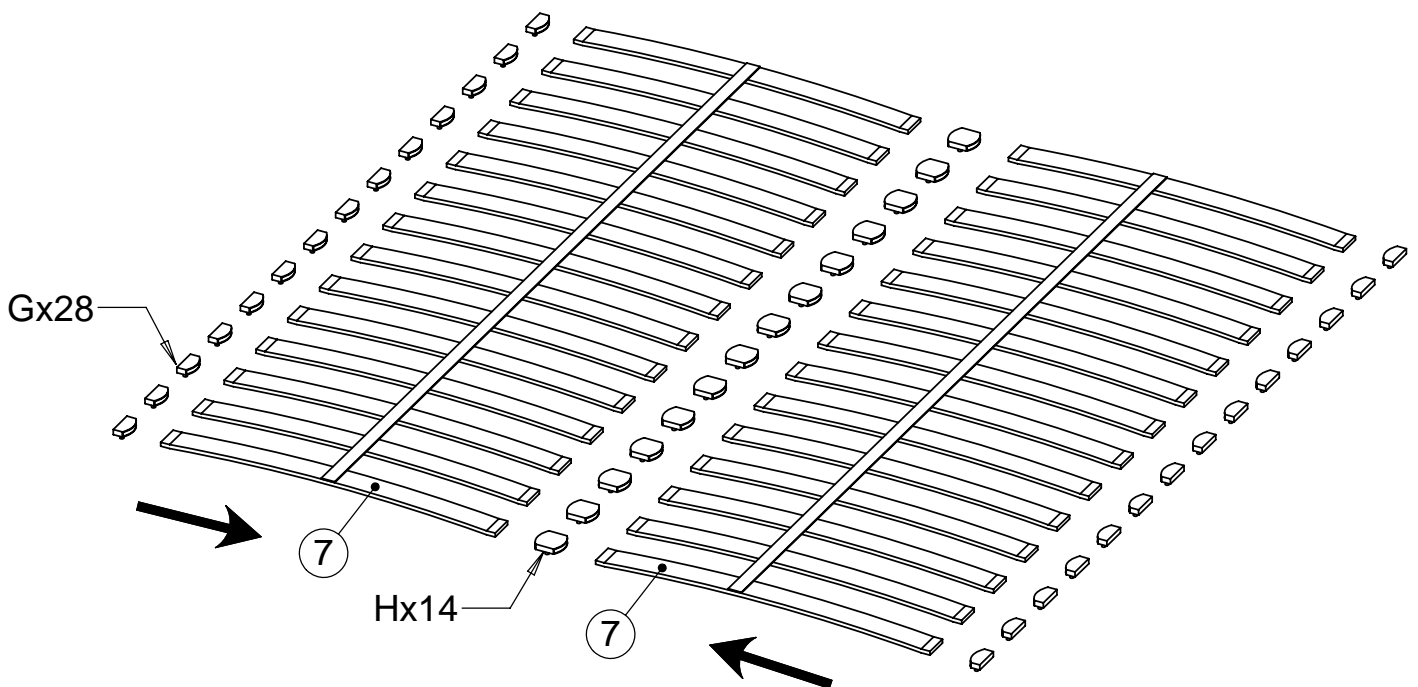
To move the bed, remove the mattress and lift the bed into its new position to avoid damage.

Ensure the feet are at 90° to the floor before replacing the mattress.



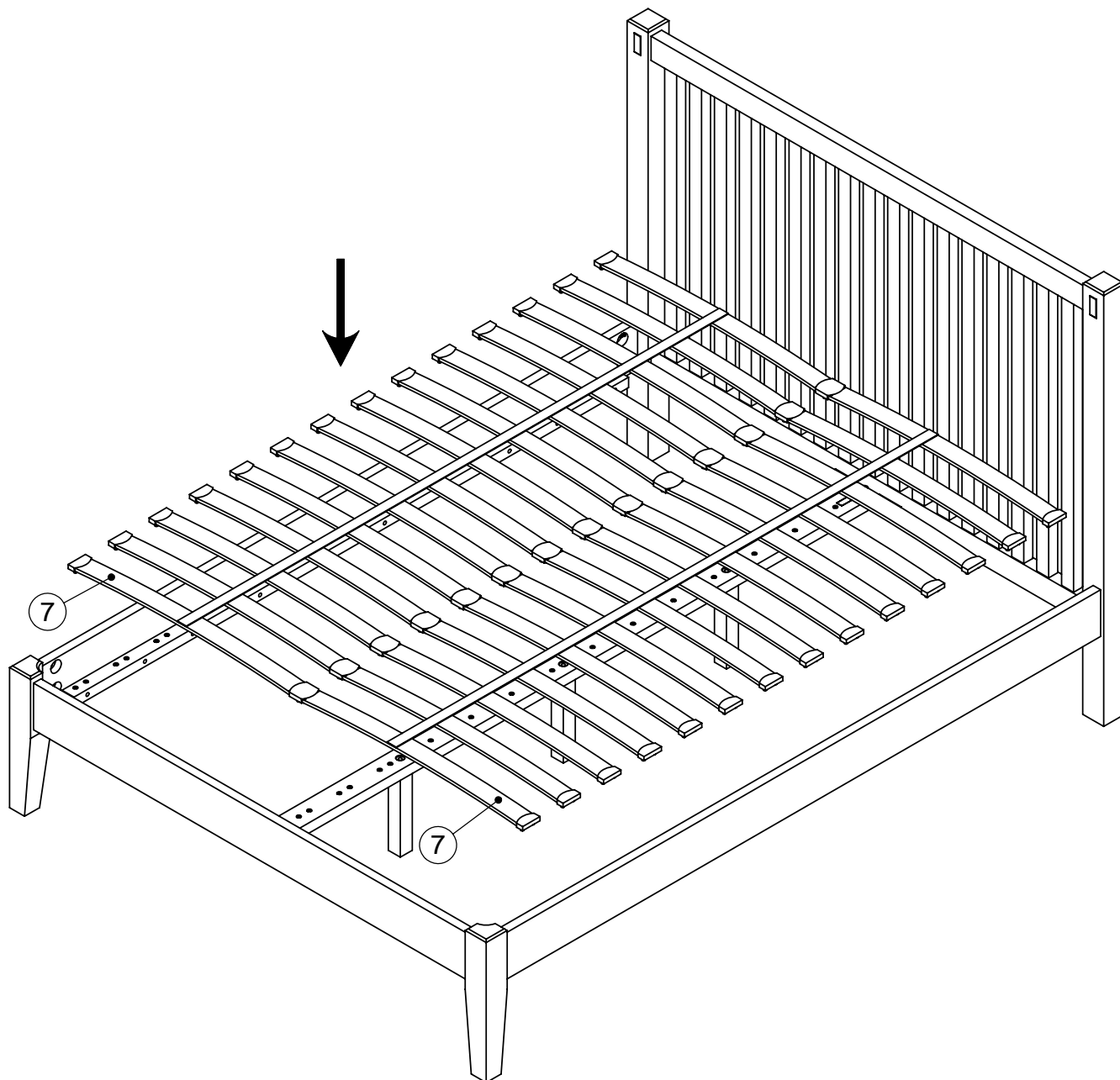
Step Eight

- Attach plastic ends (G) and (H) to slats (7).



Step Nine

- Attach slats (7) to the body of bed. Ensure each cap is pushed firmly in place and ensure the curve of the slat is facing upwards.



PLEASE KEEP THIS CARE GUIDE FOR FUTURE REFERENCE
Next Retail Ltd, Desford Road, Enderby, Leicester, LE19 4AT.